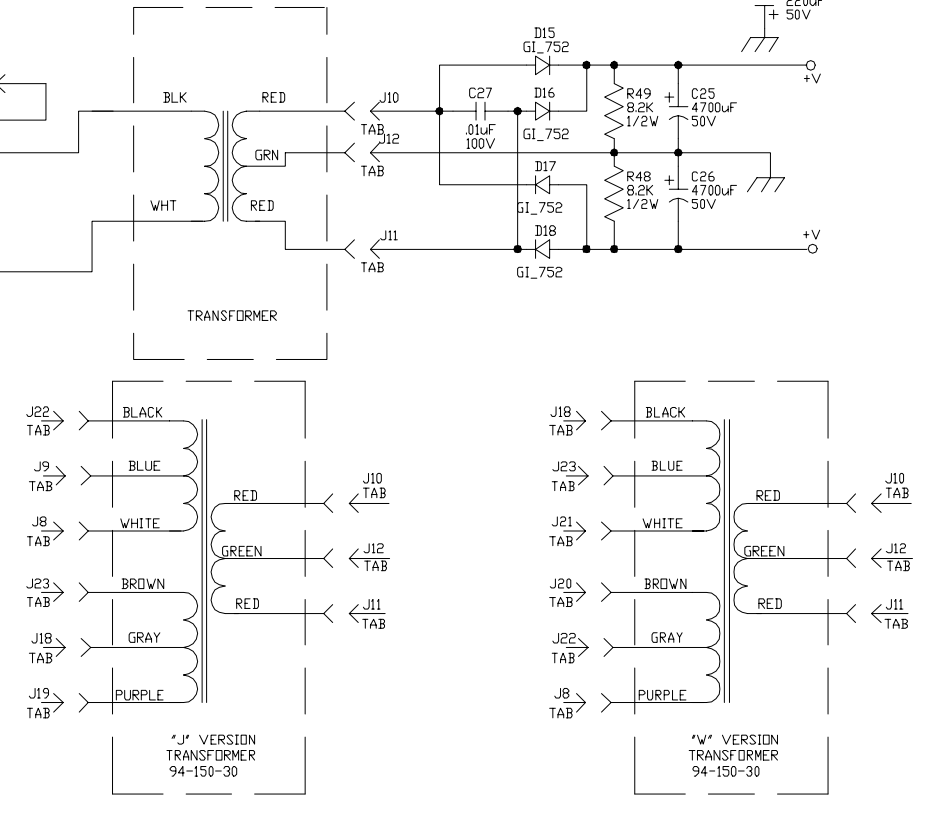
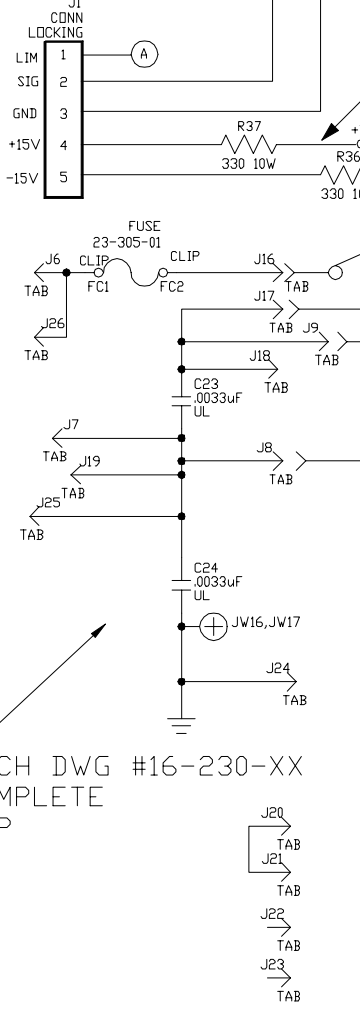
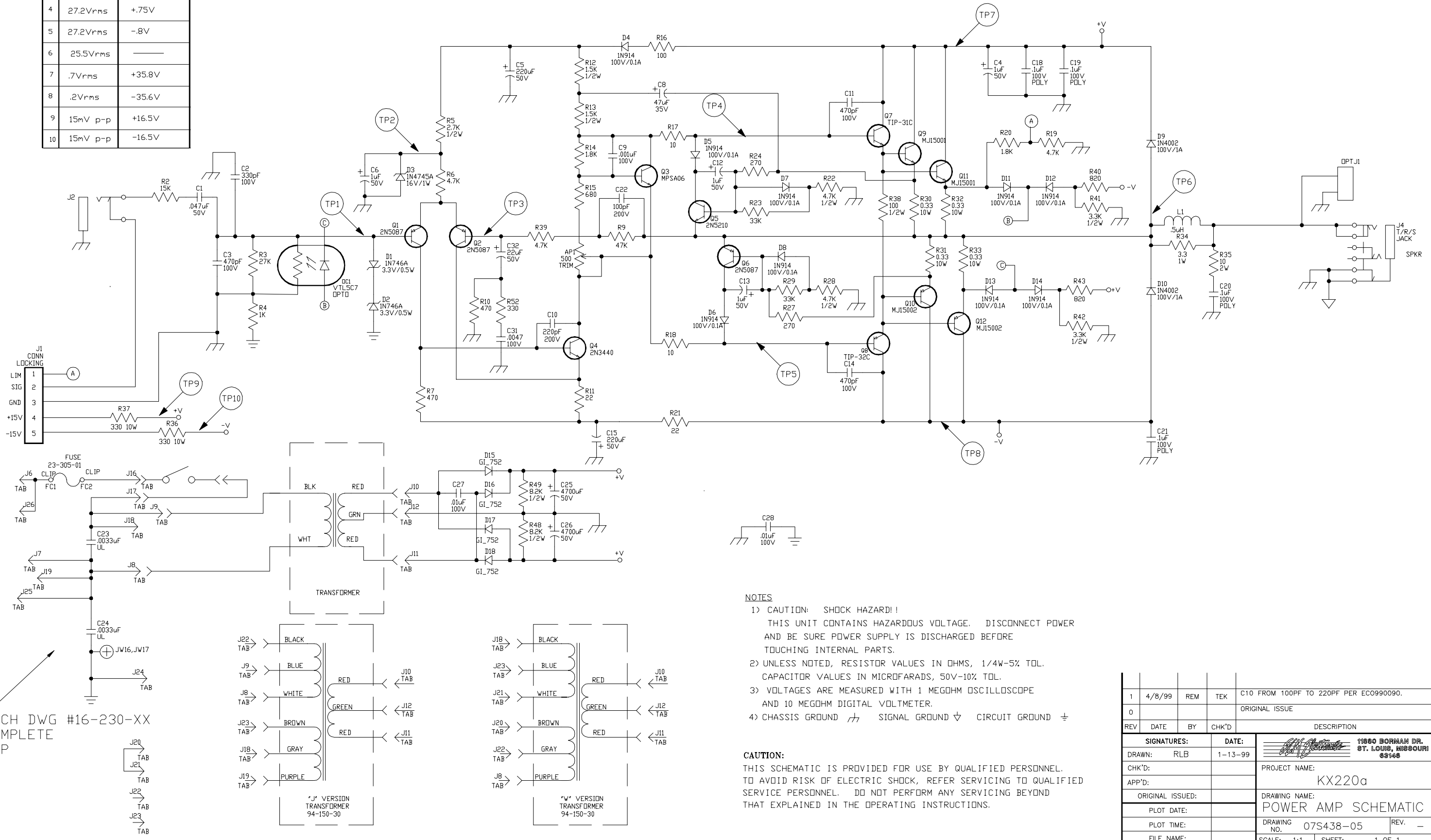


INPUT SIGNAL : 1.07p-p LIMITER DEFEATED @ 1KHZ
4 OHM LOAD, 1 KHZ INPUT

T.P.	AC VOLTAGE	DC VOLTAGE
1	256mVrms	—
2	2.8mVrms	15.6V
3	244mVrms	—
4	27.2Vrms	+7.5V
5	27.2Vrms	-8V
6	25.5Vrms	—
7	.7Vrms	+35.8V
8	.2Vrms	-35.6V
9	15mV p-p	+16.5V
10	15mV p-p	-16.5V



- NOTES**
- 1) CAUTION: SHOCK HAZARD!! THIS UNIT CONTAINS HAZARDOUS VOLTAGE. DISCONNECT POWER AND BE SURE POWER SUPPLY IS DISCHARGED BEFORE TOUCHING INTERNAL PARTS.
 - 2) UNLESS NOTED, RESISTOR VALUES IN OHMS, 1/4W-5% TOL. CAPACITOR VALUES IN MICROFARADS, 50V-10% TOL.
 - 3) VOLTAGES ARE MEASURED WITH 1 MEGOHM OSCILLOSCOPE AND 10 MEGOHM DIGITAL VOLTMETER.
 - 4) CHASSIS GROUND \perp SIGNAL GROUND ∇ CIRCUIT GROUND \perp

CAUTION:
THIS SCHEMATIC IS PROVIDED FOR USE BY QUALIFIED PERSONNEL. TO AVOID RISK OF ELECTRIC SHOCK, REFER SERVICING TO QUALIFIED SERVICE PERSONNEL. DO NOT PERFORM ANY SERVICING BEYOND THAT EXPLAINED IN THE OPERATING INSTRUCTIONS.

SEE TECH DWG #16-230-XX FOR COMPLETE HOOK-UP

REV	DATE	BY	CHK'D	DESCRIPTION
1	4/8/99	REB	TEK	C10 FROM 100PF TO 220PF PER EC0990090.
0				ORIGINAL ISSUE

SIGNATURES:		DATE:	11860 BORMAN DR. ST. LOUIS, MISSOURI 63148
DRAWN: RLB		1-13-99	
CHK'D:		PROJECT NAME: KX220a	
APP'D:		DRAWING NAME: POWER AMP SCHEMATIC	
ORIGINAL ISSUED:		DRAWING NO. 07S438-05	
PLOT DATE:		REV. —	
PLOT TIME:		SCALE: 1:1 SHEET: 1 OF 1	
FILE NAME:			