

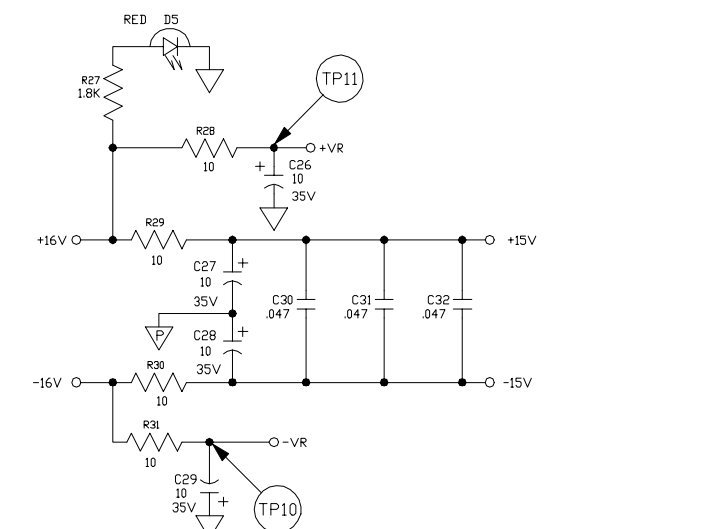
THIS SECTION OF THE SCHEMATIC REFLECTS CHANNEL 1. CHANNELS 2, 3, & 4 ARE THE SAME AS CHANNEL 1 WITH DESIGNATORS ADJUSTED.

EACH CHANNELS DESIGNATORS ARE INCREMENTED BY ONE HUNDRED. FOR EXAMPLE, R1=CHANNEL 1, R101=CHANNEL 2...

CHANNEL 1 USES IC1-A AND IC2-A
 CHANNEL 2 USES IC1-B AND IC2-B
 CHANNEL 3 USES IC101-A AND IC102-A
 CHANNEL 4 USES IC101-B AND IC102-B

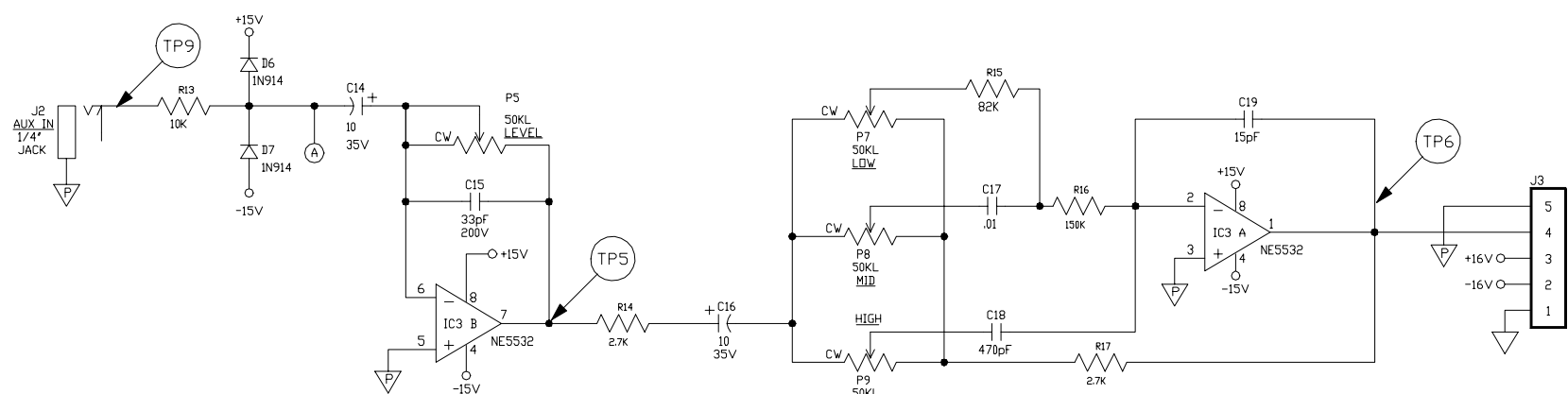
TEST POINTS	VOLTAGE (rms)	WAVE FORM	VOLTAGE (DC)
1	10mV		---
2	16mV		---
3	.81V		---
4	2.7V *		---
5	1V		---
6	.7V		---
7	132mV		---
8	1.43V		---
9	.2V		---
10	---	---	-15V
11	---	---	+15V

CONDITIONS
 1KHz SINE WAVE WITH ALL CONTROLS @ "5" EXCEPT CHANNEL GAIN, REVERB SEND, LEVEL, & REVERB RETURN @ "10"
 * 150 ohm LOAD ACROSS R18



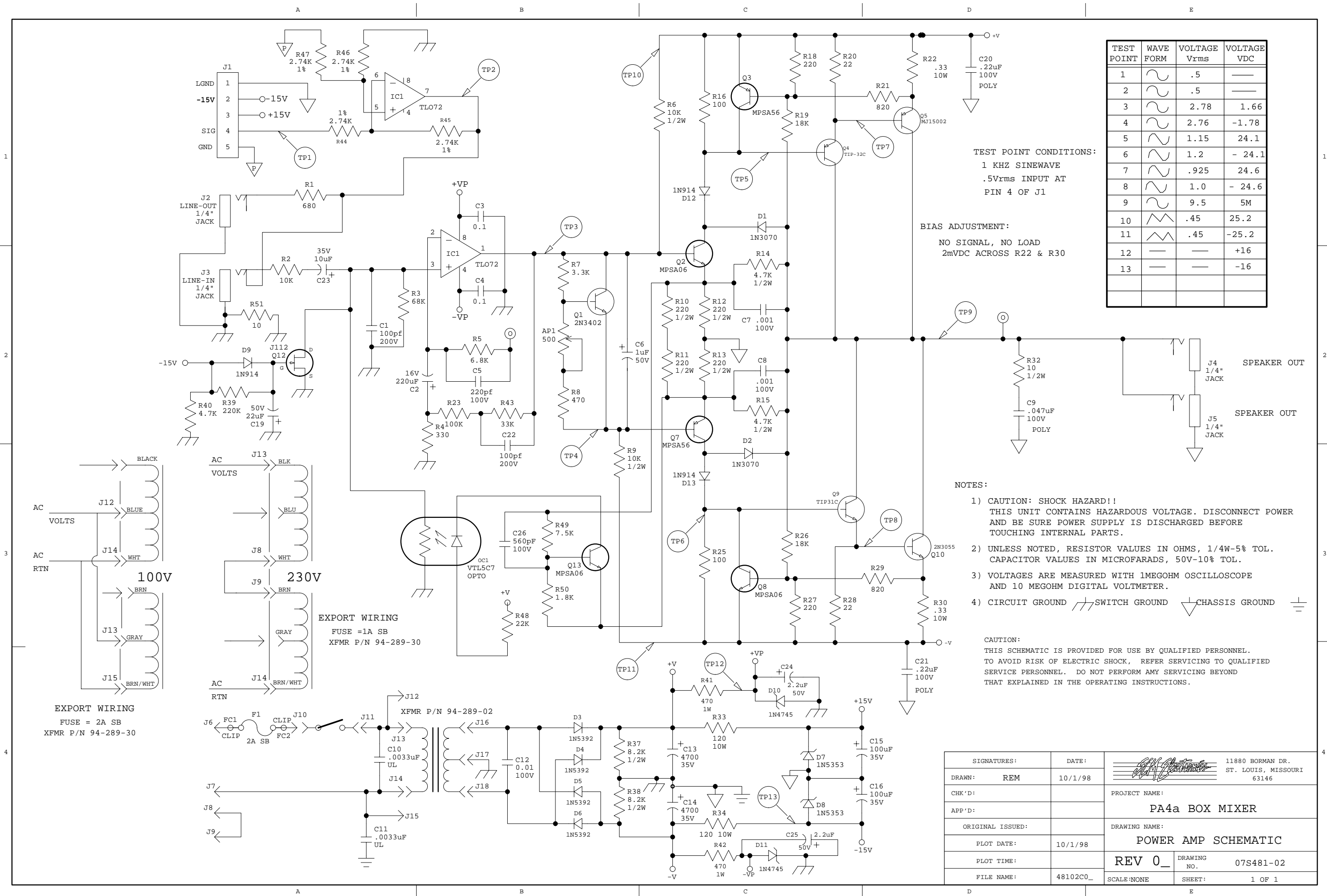
NOTES

- CAUTION: SHOCK HAZARD!! THIS UNIT CONTAINS HAZARDOUS VOLTAGE. DISCONNECT POWER AND BE SURE POWER SUPPLY IS DISCHARGED BEFORE TOUCHING INTERNAL PARTS.
- UNLESS NOTED, RESISTOR VALUES IN OHMS, 1/4W-5% TOL. CAPACITOR VALUES IN MICROFARADS, 50V-10% TOL.
- VOLTAGES ARE MEASURED WITH 1 MEGOHM OSCILLOSCOPE AND 10 MEGOHM DIGITAL VOLTMETER.
- PREAMP GND ∇ LED GND ∇ CHASSIS GROUND ∇



REV	DATE	BY	CHK'D	DESCRIPTION
2	4/5/99	REM		CHG'D CONNECTION OF C33 & C34, ETC TO OP AMP + & - AS SHOWN PER ECO990043.
1	2-10-99	RLB		SHORTED PINS 5 & 7 ON J1 PER ECO 990043

SIGNATURES:		DATE:	 11860 BORMAN DR. ST. LOUIS, MISSOURI 63148
DRAWN:	MGA	11/14/91	
CHK'D:	DJR	11/14/91	
APP'D:	DJR	11/14/91	
ORIGINAL ISSUED:			
PROJECT NAME:			PA-4 BOX MIXER
DRAWING NAME:			CHANNEL/MASTER BRD SCHEMATIC
DRAWING NO.:			07S681-02
SCALE: NONE			SHEET: 1 OF 1



TEST POINT	WAVE FORM	VOLTAGE Vrms	VOLTAGE VDC
1	~	.5	—
2	~	.5	—
3	~	2.78	1.66
4	~	2.76	-1.78
5	~	1.15	24.1
6	~	1.2	-24.1
7	~	.925	24.6
8	~	1.0	-24.6
9	~	9.5	5M
10	~	.45	25.2
11	~	.45	-25.2
12	—	—	+16
13	—	—	-16

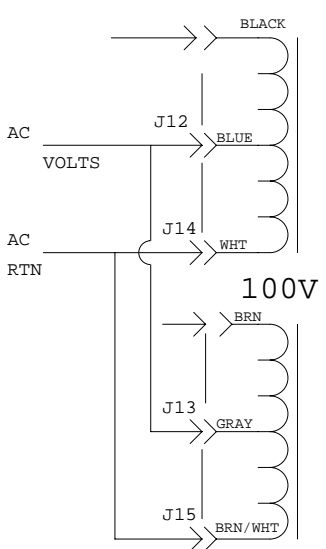
TEST POINT CONDITIONS:
 1 KHZ SINEWAVE
 .5Vrms INPUT AT
 PIN 4 OF J1

BIAS ADJUSTMENT:
 NO SIGNAL, NO LOAD
 2mVDC ACROSS R22 & R30

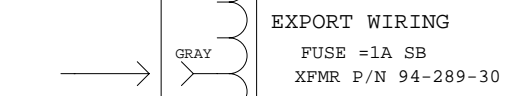
NOTES:

- 1) CAUTION: SHOCK HAZARD!! THIS UNIT CONTAINS HAZARDOUS VOLTAGE. DISCONNECT POWER AND BE SURE POWER SUPPLY IS DISCHARGED BEFORE TOUCHING INTERNAL PARTS.
- 2) UNLESS NOTED, RESISTOR VALUES IN OHMS, 1/4W-5% TOL. CAPACITOR VALUES IN MICROFARADS, 50V-10% TOL.
- 3) VOLTAGES ARE MEASURED WITH 1MEGOHM OSCILLOSCOPE AND 10 MEGOHM DIGITAL VOLTMETER.
- 4) CIRCUIT GROUND SWITCH GROUND CHASSIS GROUND

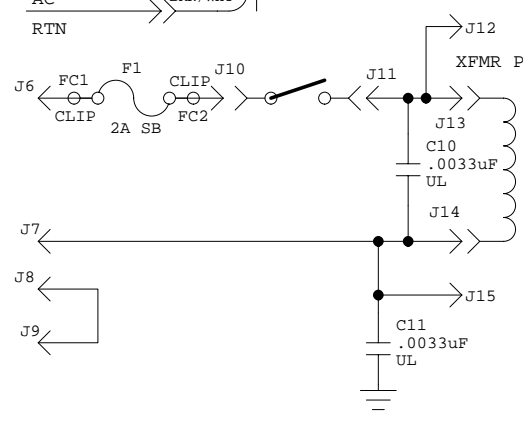
CAUTION:
 THIS SCHEMATIC IS PROVIDED FOR USE BY QUALIFIED PERSONNEL. TO AVOID RISK OF ELECTRIC SHOCK, REFER SERVICING TO QUALIFIED SERVICE PERSONNEL. DO NOT PERFORM ANY SERVICING BEYOND THAT EXPLAINED IN THE OPERATING INSTRUCTIONS.



EXPORT WIRING
 FUSE = 2A SB
 XFMR P/N 94-289-30



EXPORT WIRING
 FUSE = 1A SB
 XFMR P/N 94-289-30



EXPORT WIRING
 FUSE = 2A SB
 XFMR P/N 94-289-30

SIGNATURES:	DATE:		11880 BORMAN DR.
DRAWN: REM	10/1/98		ST. LOUIS, MISSOURI 63146
CHK'D:		PROJECT NAME:	PA4a BOX MIXER
APP'D:		DRAWING NAME:	POWER AMP SCHEMATIC
ORIGINAL ISSUED:		REV 0_	DRAWING NO. 07S481-02
PLOT DATE:	10/1/98	SCALE: NONE	SHEET: 1 OF 1
PLOT TIME:			
FILE NAME:	48102C0_		