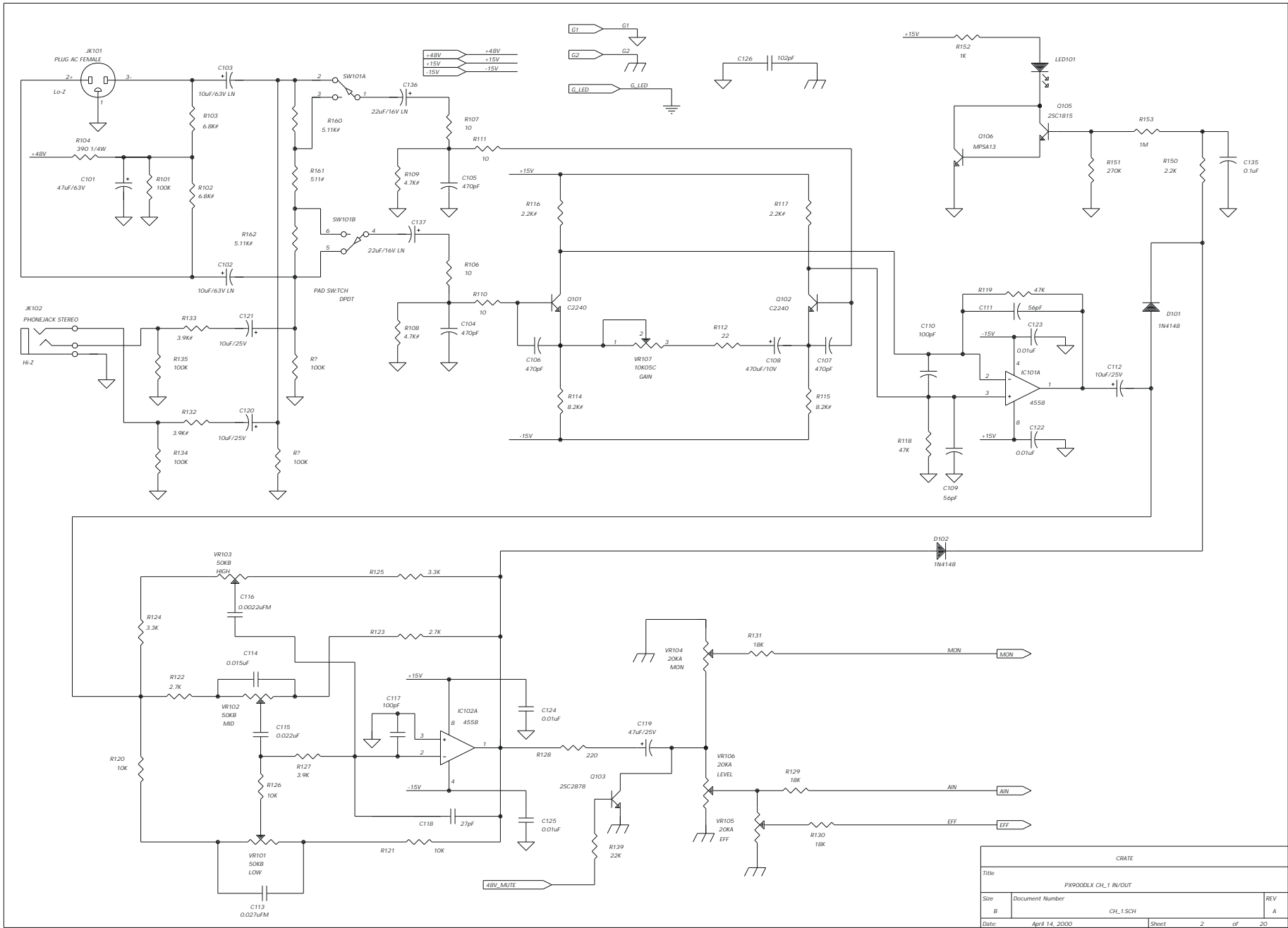
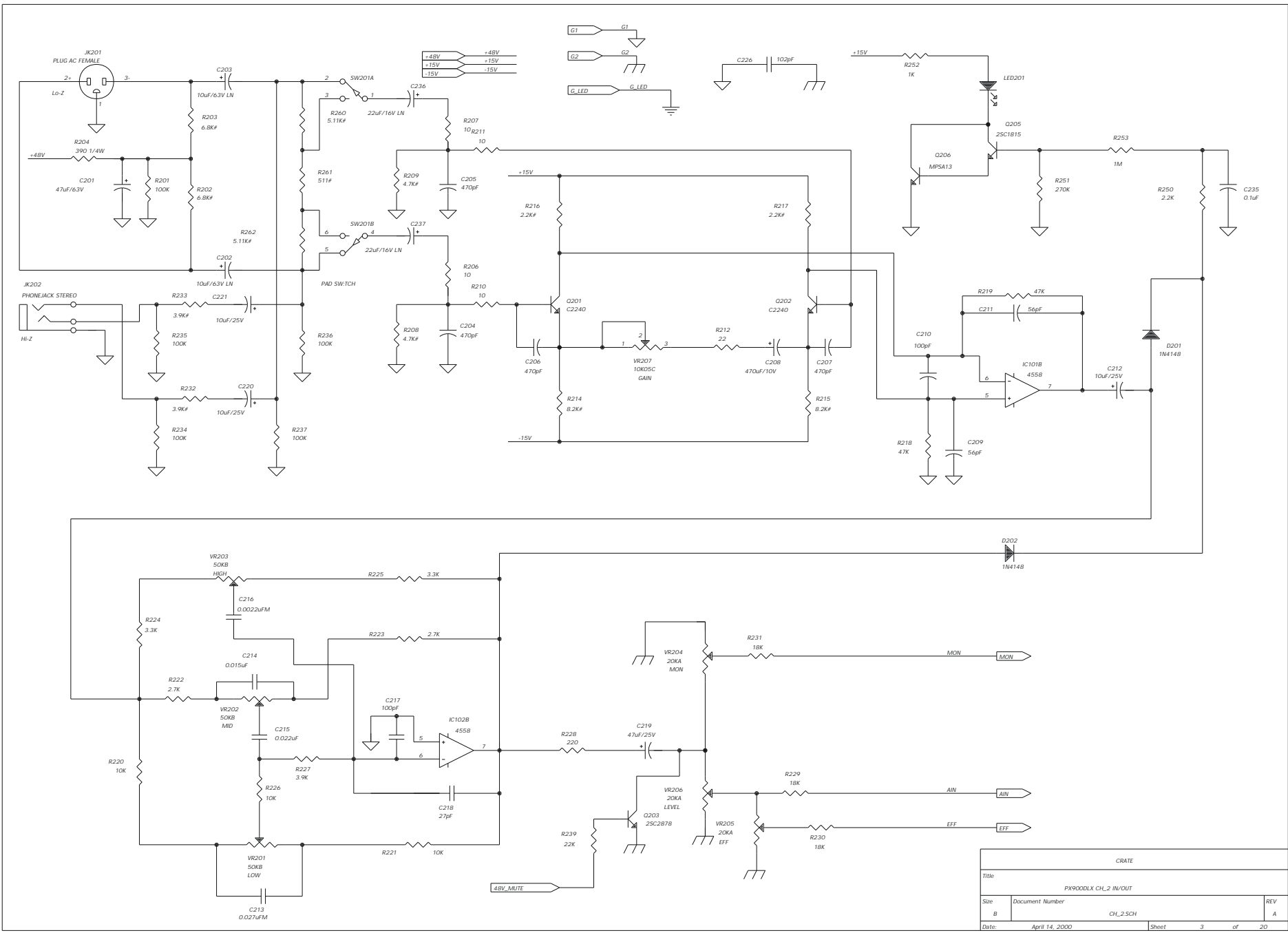


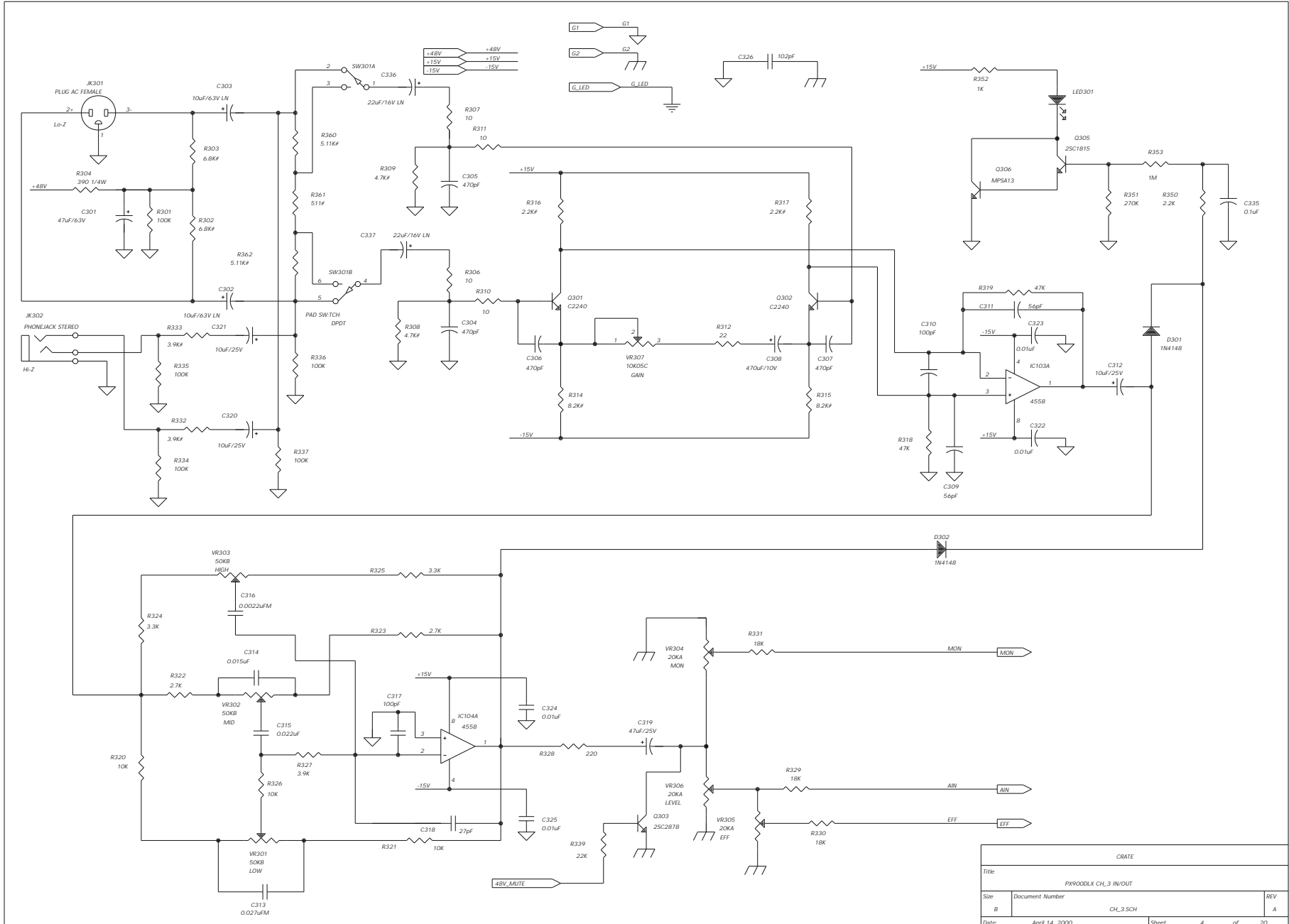
CRATE			
Title			
PX900DLX BLOCK DIAGRAM			
Size	Document Number	REV	
B	BLOCK.SCH	A	
Date:	April 14, 2000	Sheet	1 of 20



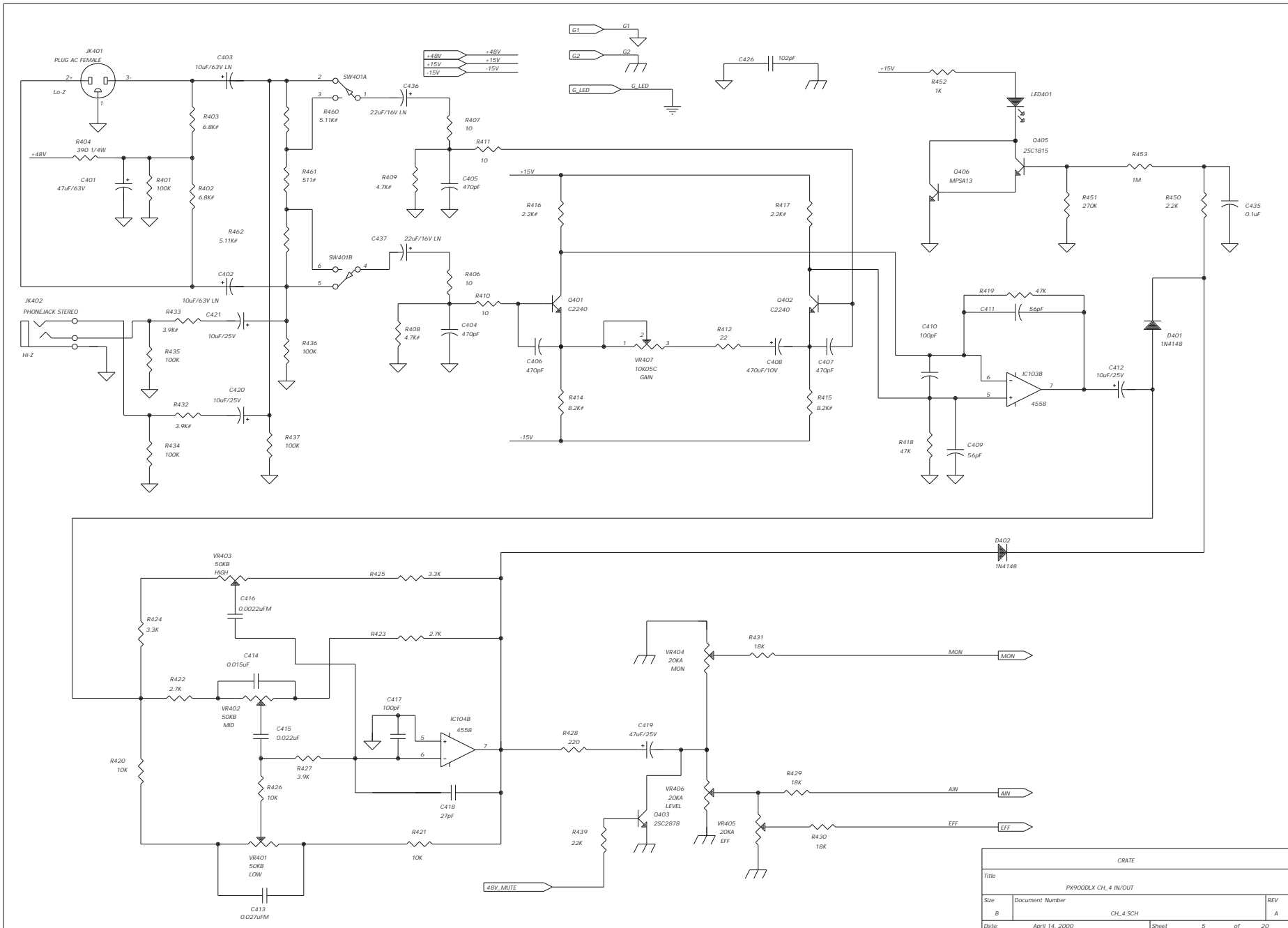
CRATE			
Title	PX900DLX CH_1 IN/OUT		
Size	Document Number	REV	
B	CH_1.SCH	A	
Date:	April 14, 2000	Sheet	2 of 20



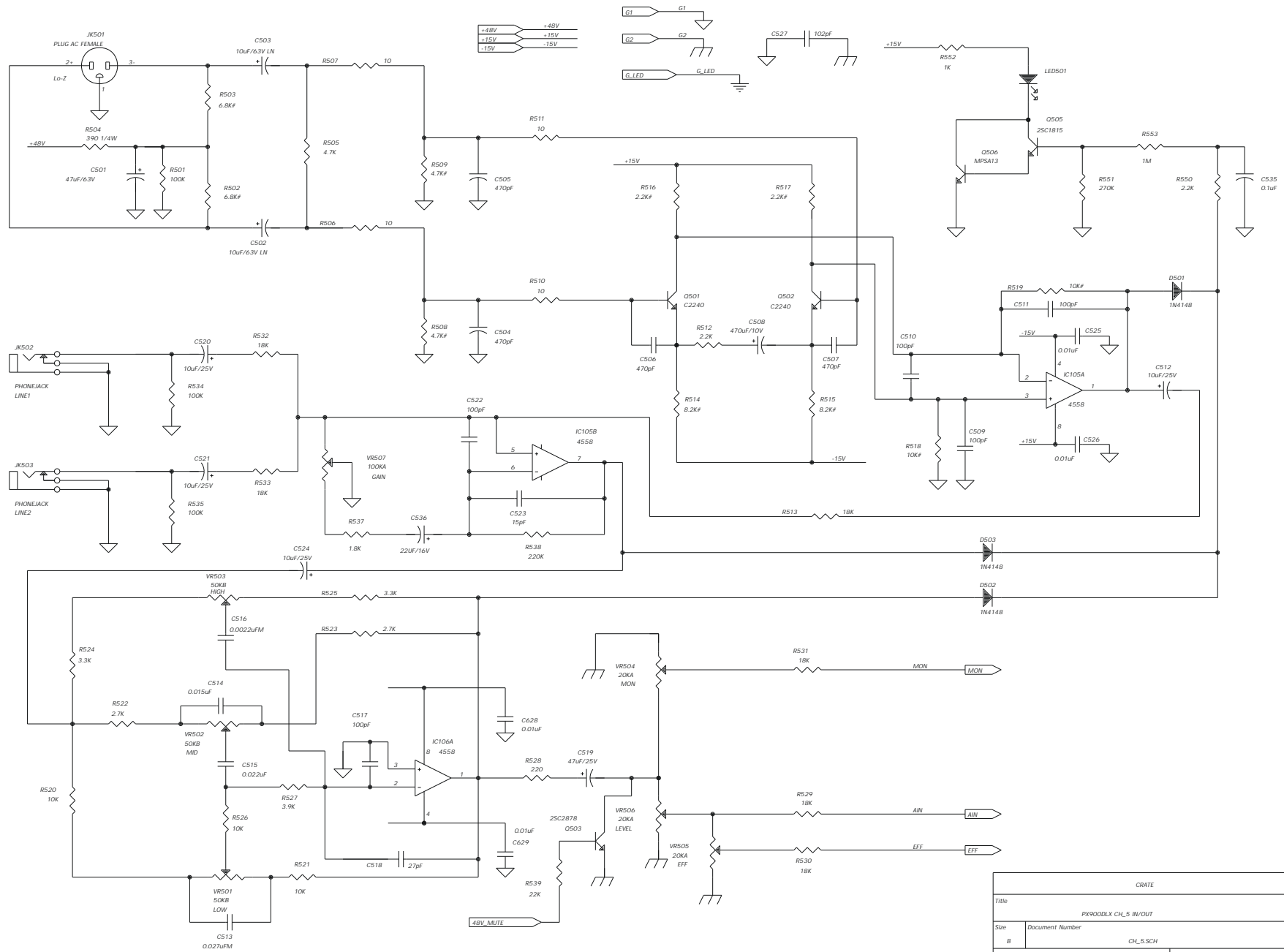
CRATE			
Title	PX900DLX CH_2 IN/OUT		
Size	Document Number	REV	
B	CH_2_SCH	A	
Date	April 14, 2000	Sheet	3 of 20



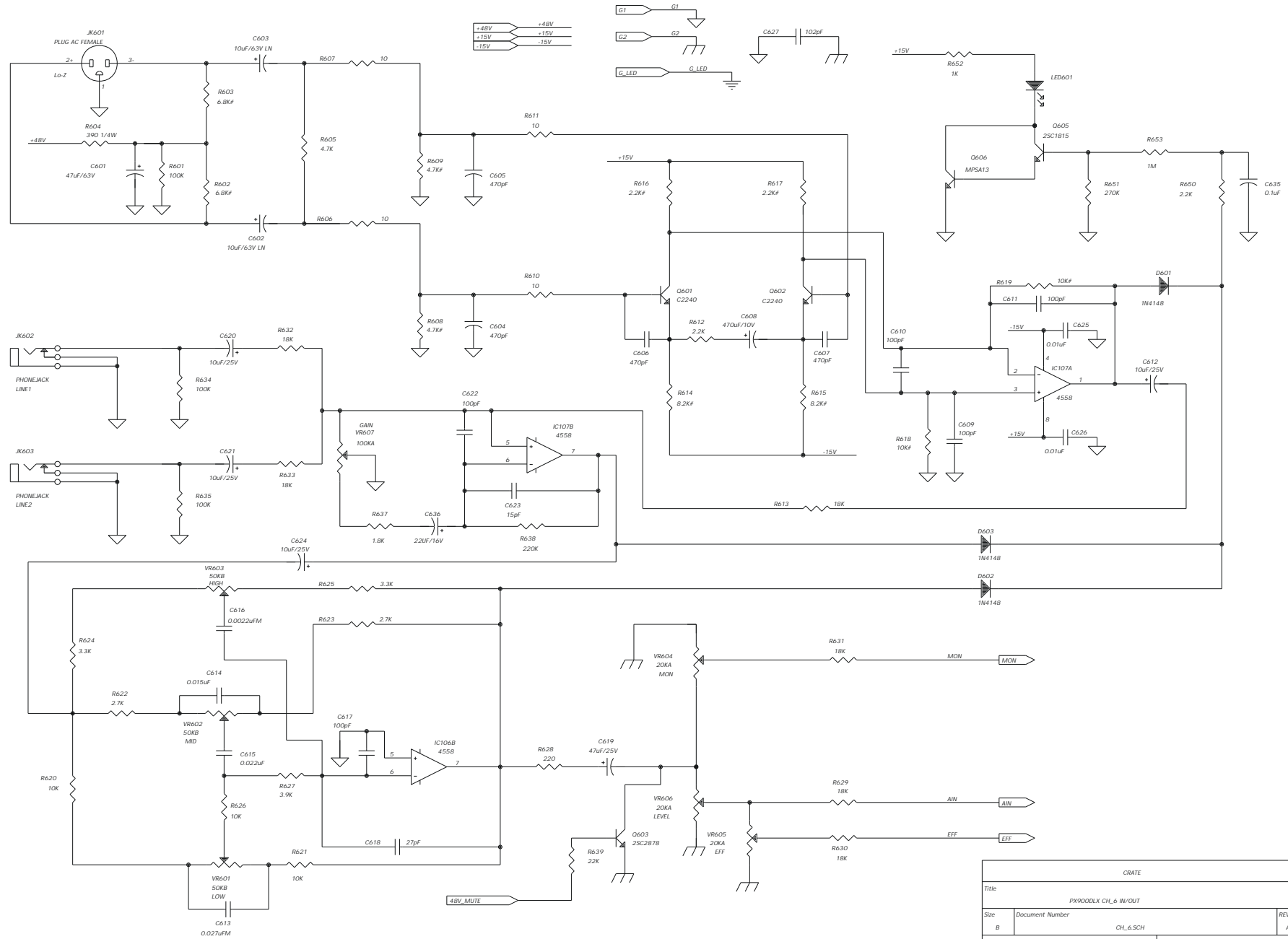
CRATE		
Title	PX00DLX CH_3 IN/OUT	
Size	Document Number	REV
B	CH_3_SCH	A
Date	April 14, 2000	Sheet 4 of 20



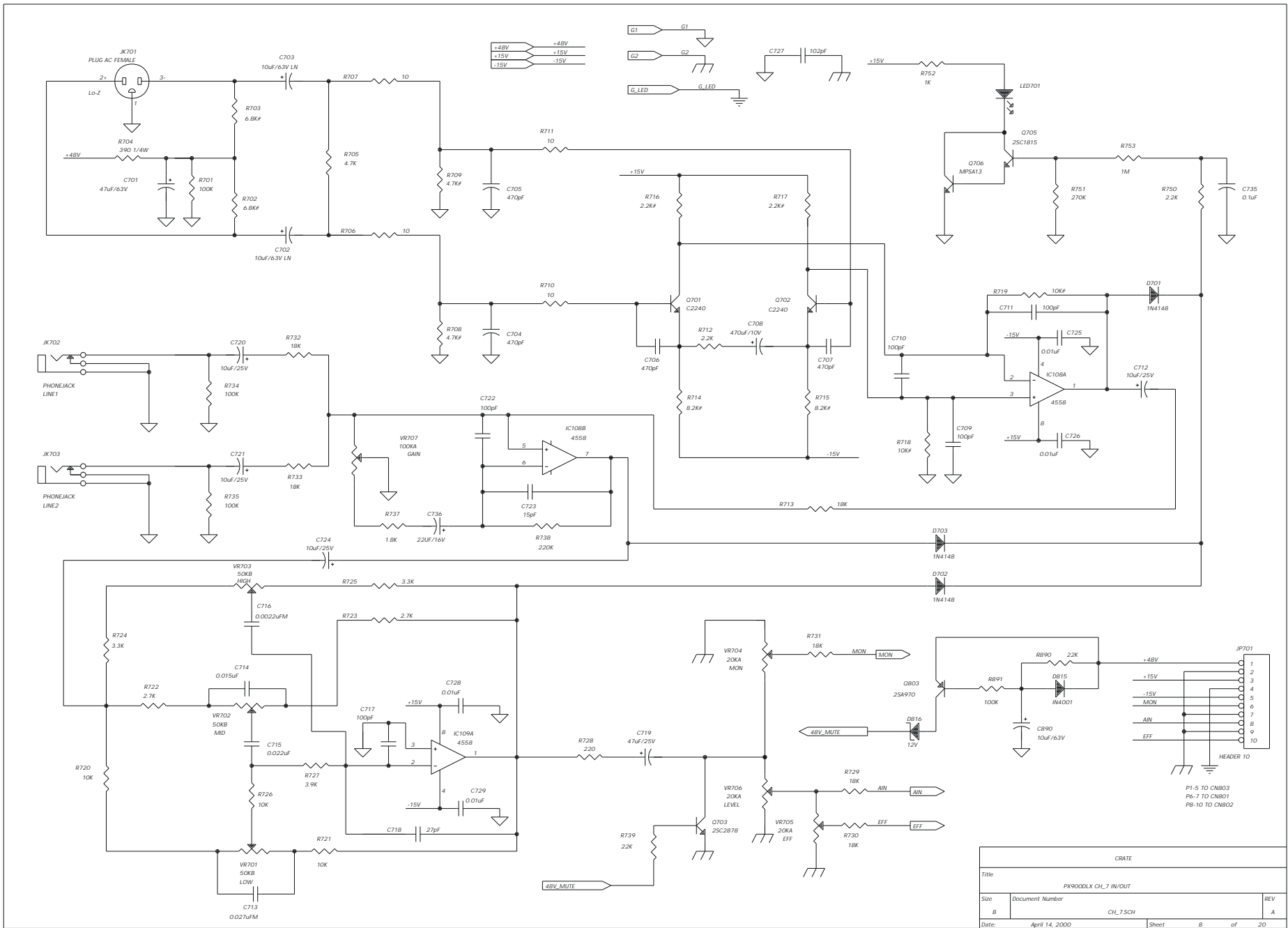
CRATE		
Title PX900DLX CH_4 IN/OUT		
Size B	Document Number CH_4_SCH	REV A
Date April 14, 2000	Sheet 5	of 20



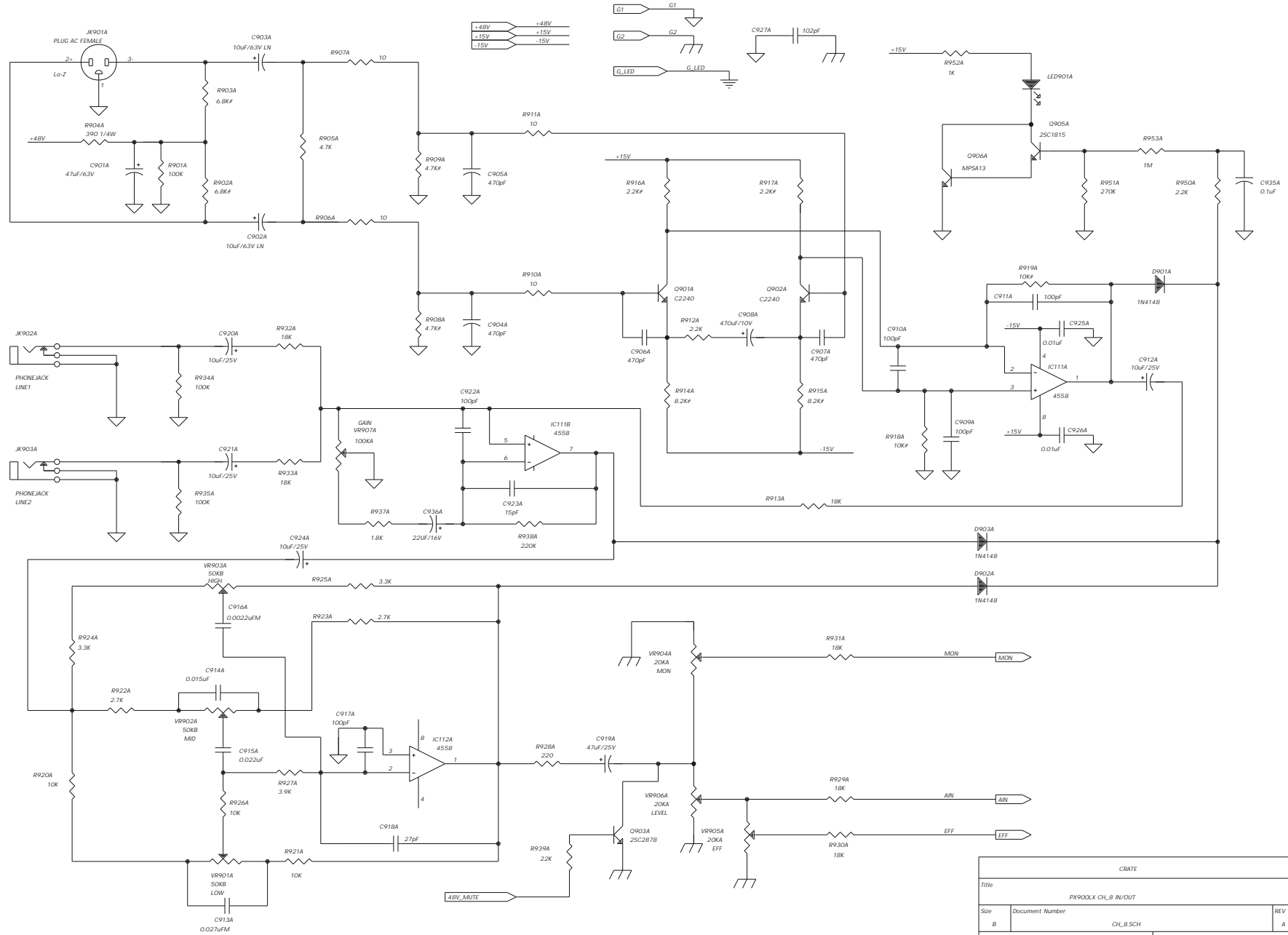
CRATE		
Title	PX900DLX_CH_5_IN/OUT	
Size	Document Number	REV
B	CH_5_SCH	A
Date:	April 14, 2000	Sheet 6 of 20



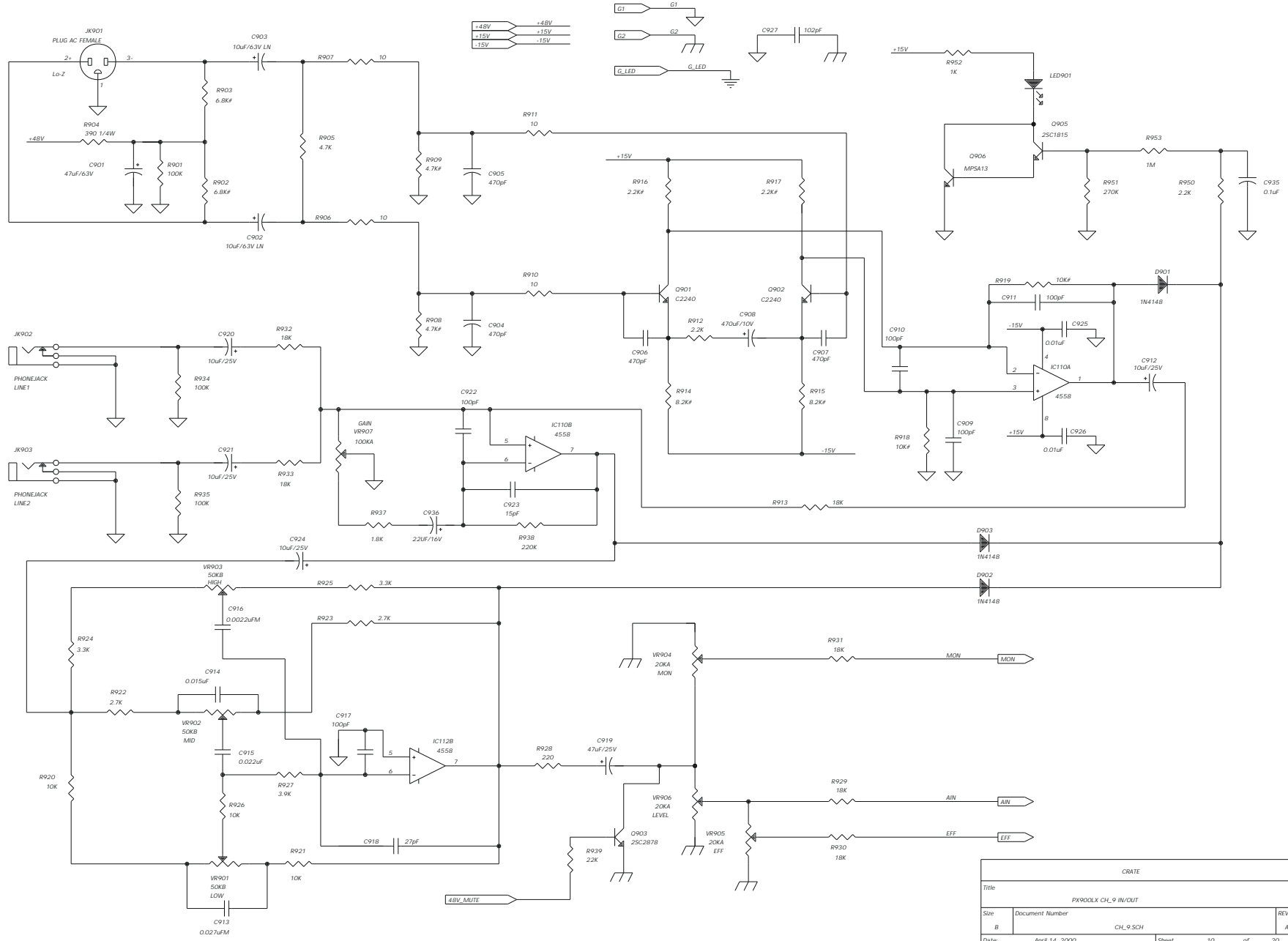
GRATE		
Title	PX900DLX CH_6 IN/OUT	
Size	Document Number	REV
B	CH_6.SCH	A
Date	April 14, 2000	Sheet 7 of 20



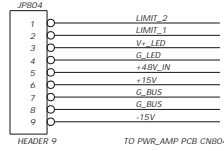
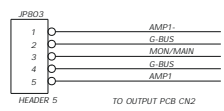
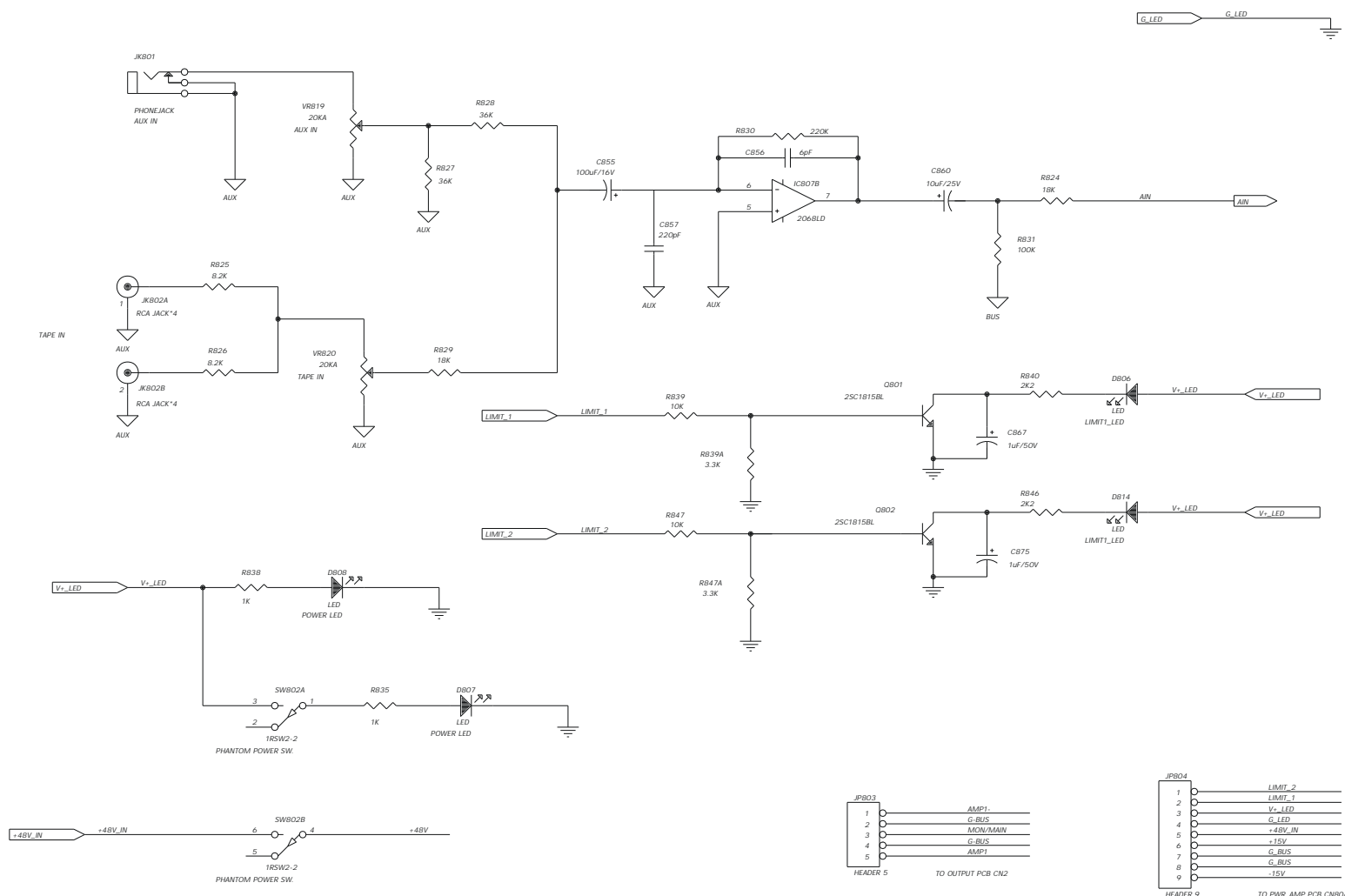
CRATE			
Title	PX900DLX CH_7_IN/OUT		
Size	Document Number	CH_7_SCH	REV
B			A
Date:	April 14, 2000	Sheet	8 of 20



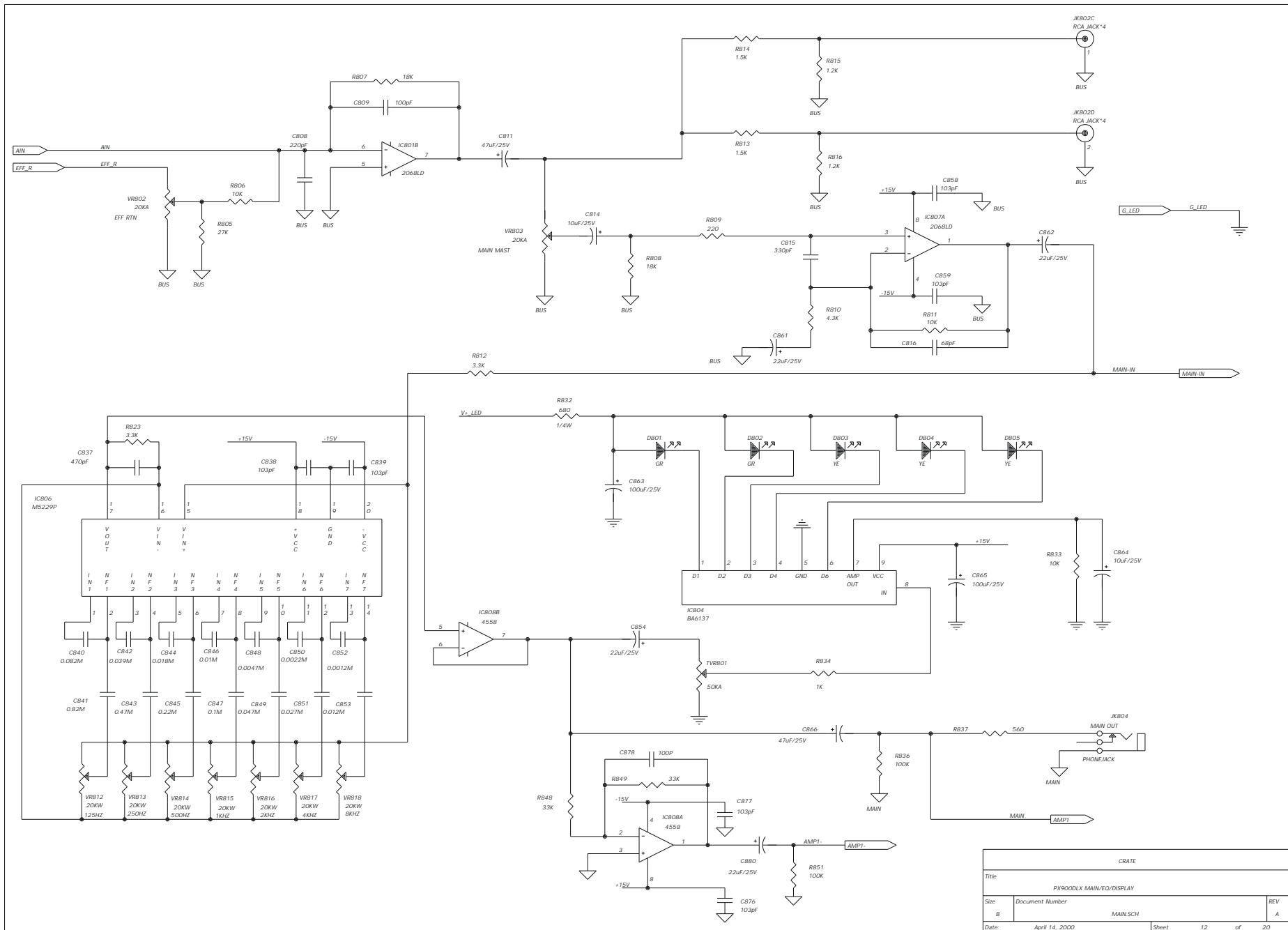
CRATE		
Title: PX900LX CH_B IN/OUT		
Site: B	Document Number: CH_B.SCH	REV: A
Date: April 14, 2000	Sheet: 9	of: 20



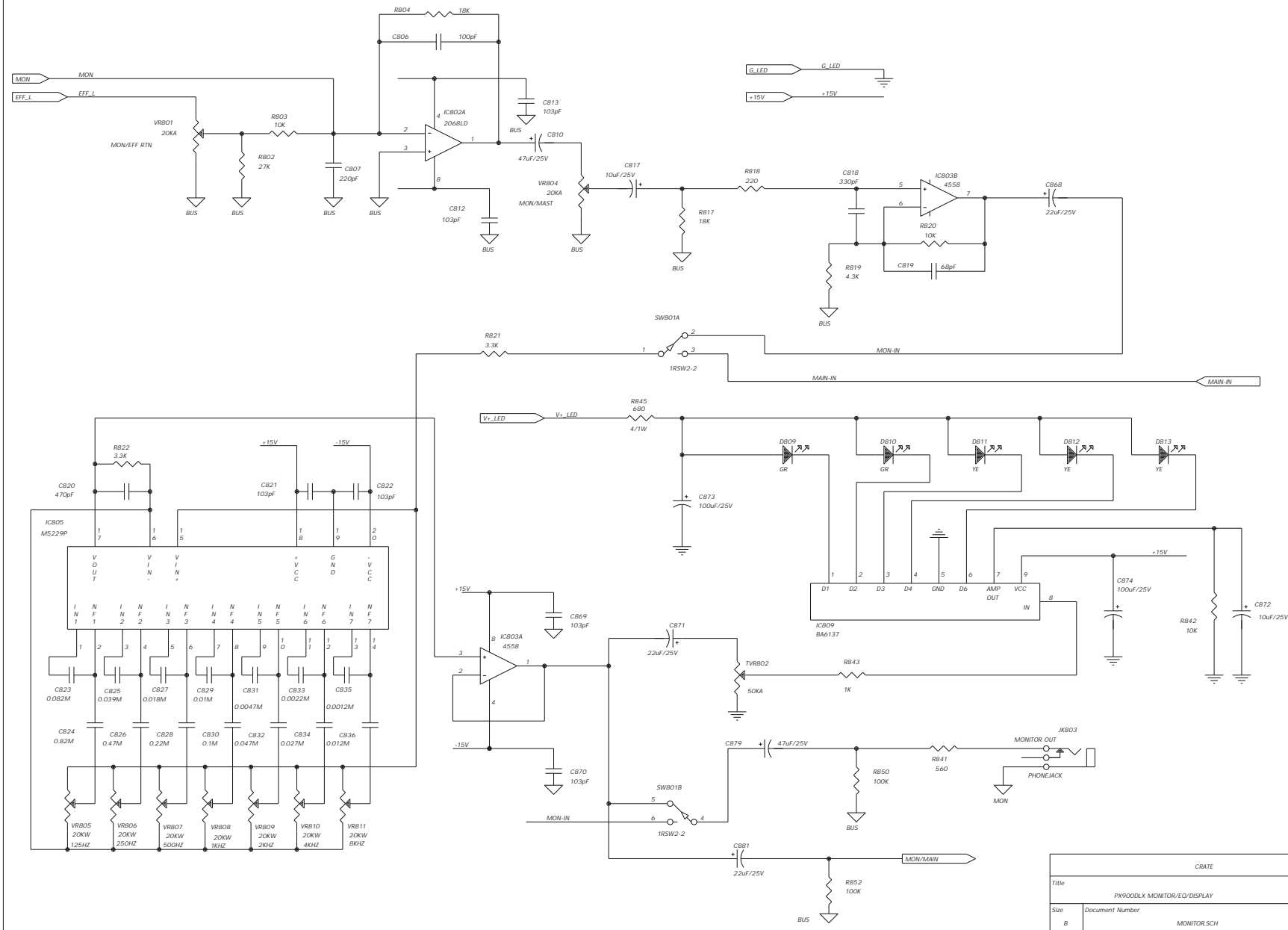
CRATE		
Title	PX900LX_CH_9_IN/OUT	
Size	Document Number	REV
B	CH_9_SCH	A
Date	April 14, 2000	Sheet 10 of 20



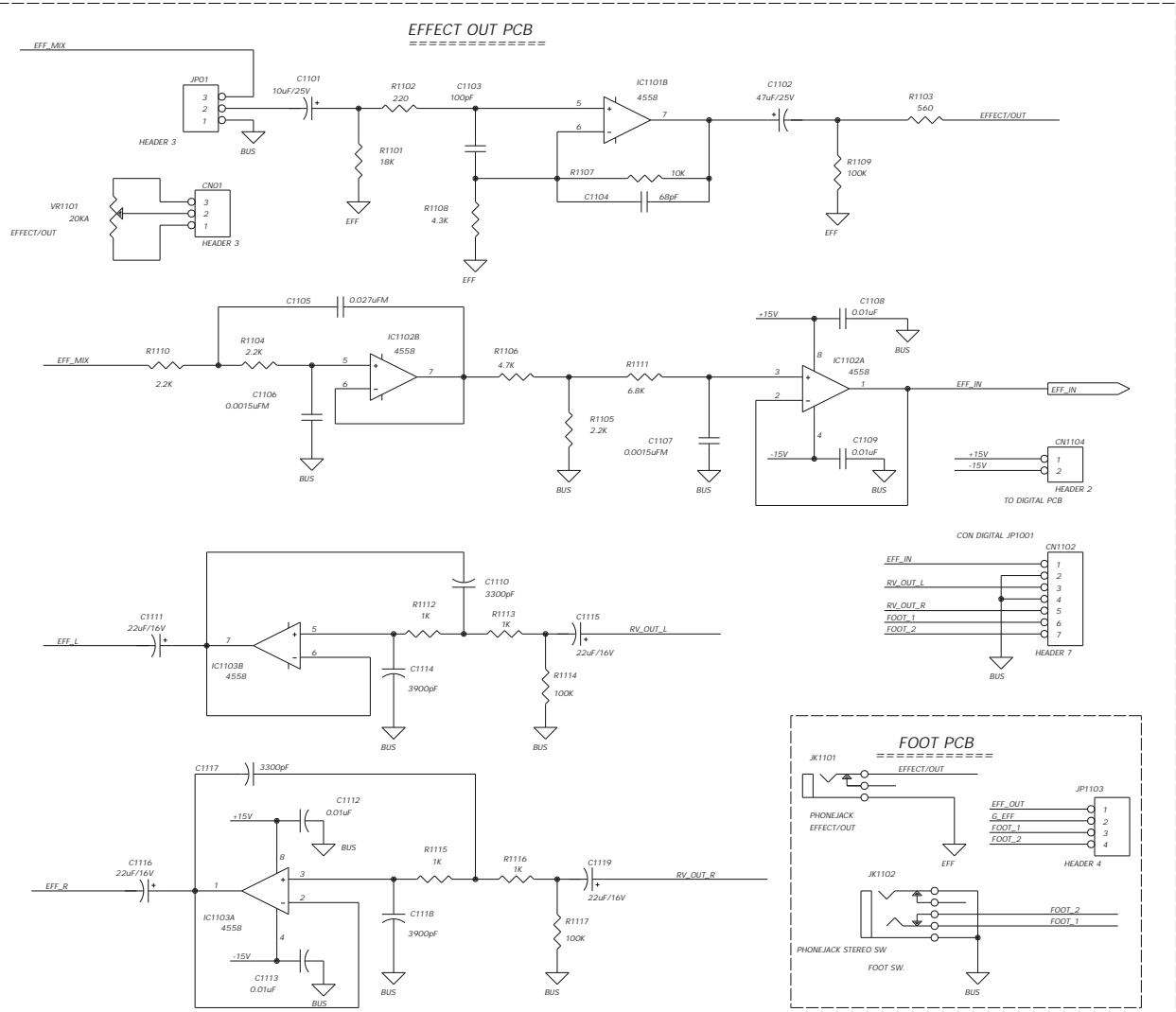
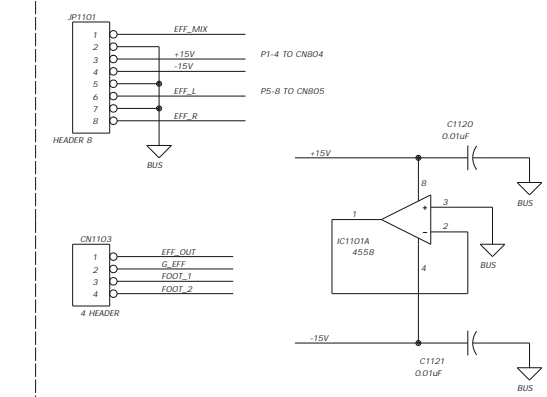
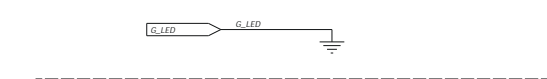
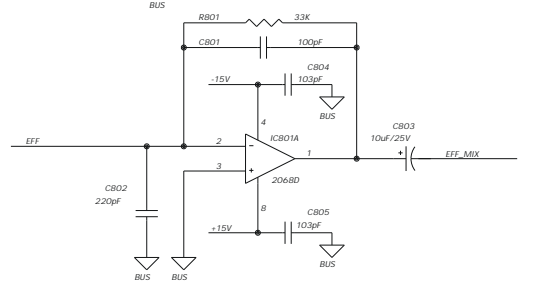
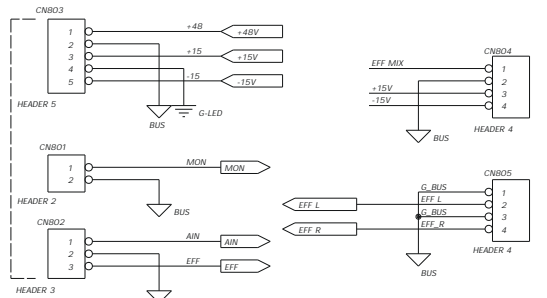
CRATE		
Title: PX900DLX AUX/TAP IN		
Size: B	Document Number: AUX_TAP.SCH	REV: A
Date: April 14, 2000	Sheet: 11	of: 20



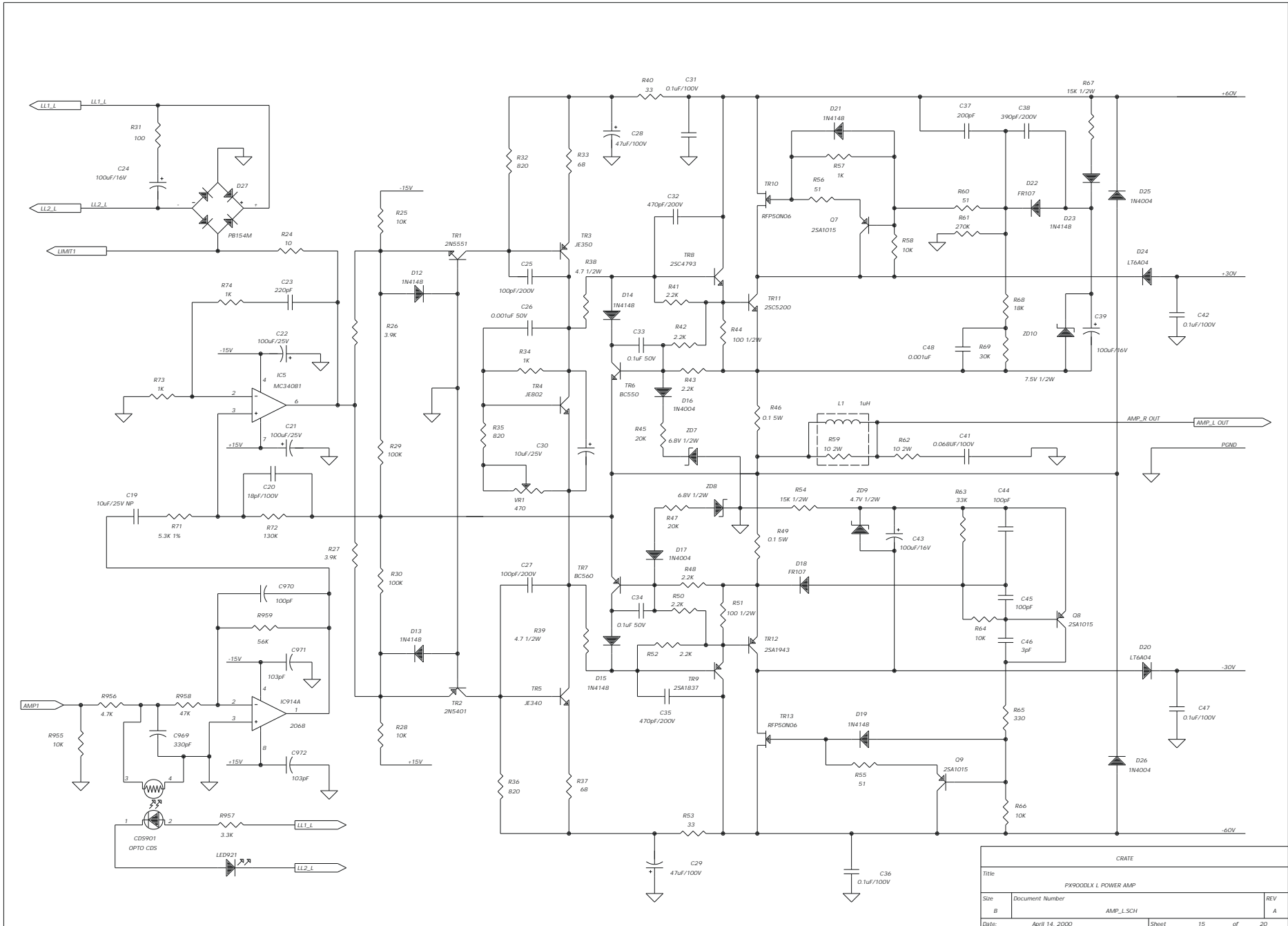
CRATE		
Title: PX900DLX MAIN/EO/DISPLAY		
Size: B	Document Number: MAIN.SCH	REV: A
Date: April 14, 2000	Sheet: 12	of 20



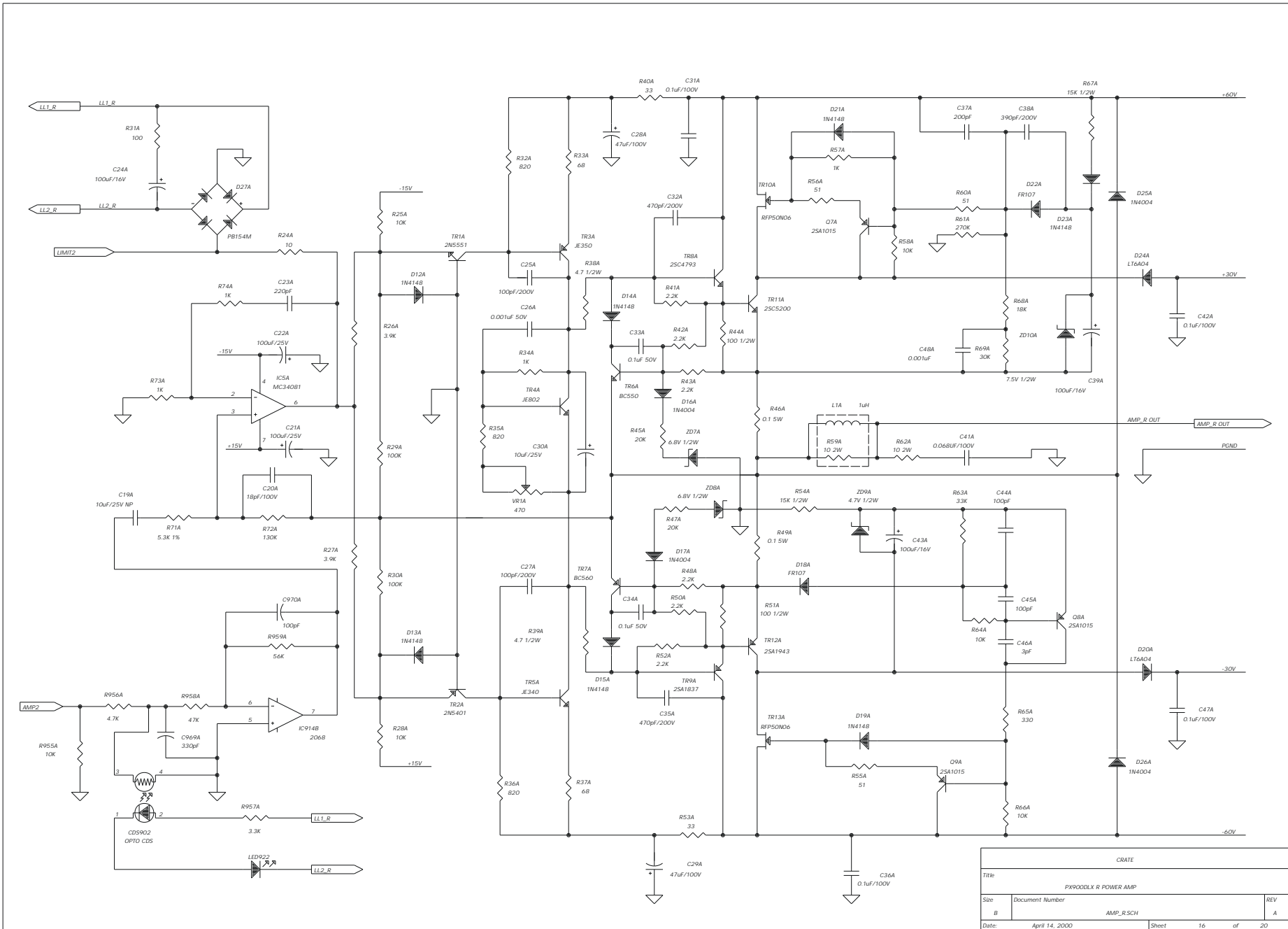
CRATE		
Title PX900DLX MONITOR/EO/DISPLAY		
Size B	Document Number MONITOR.SCH	REV A
Date April 14, 2000	Sheet 13	of 20



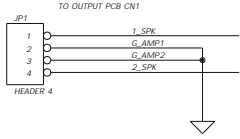
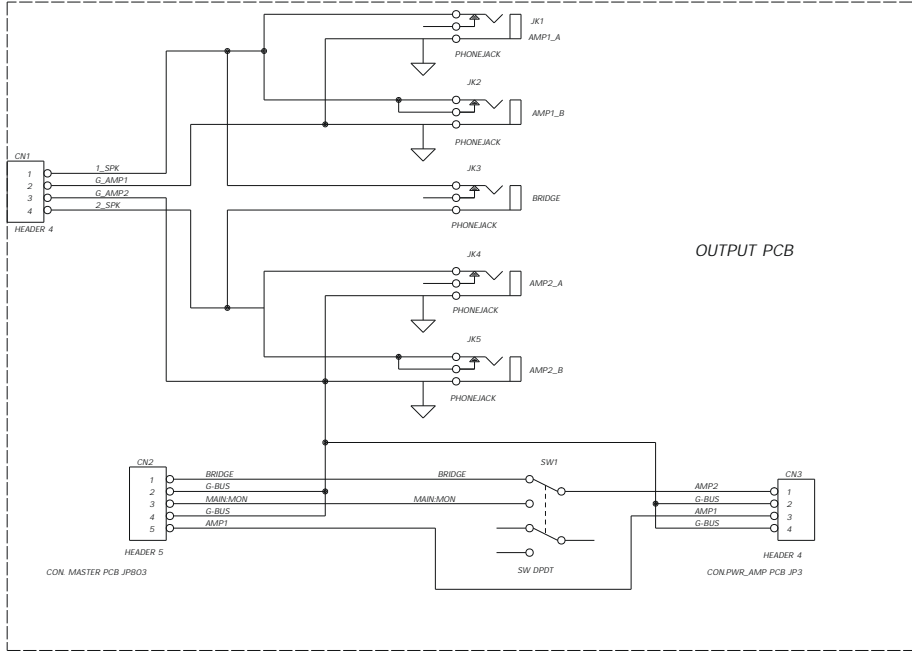
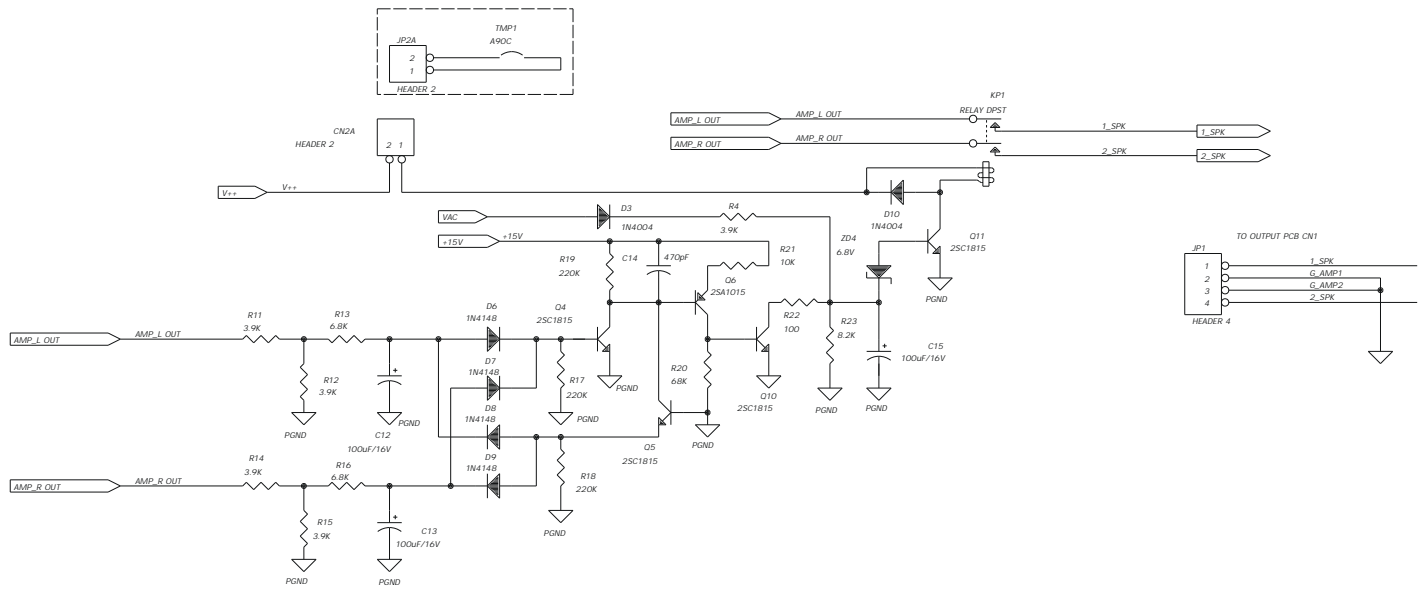
CRATE		
Title		
PX9000LK EFFECT SUM		
Size	Document Number	REV
B	EFFECT.SCH	A
Date:	April 14, 2000	Sheet 14 of 20



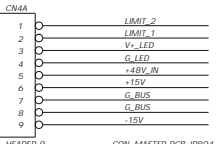
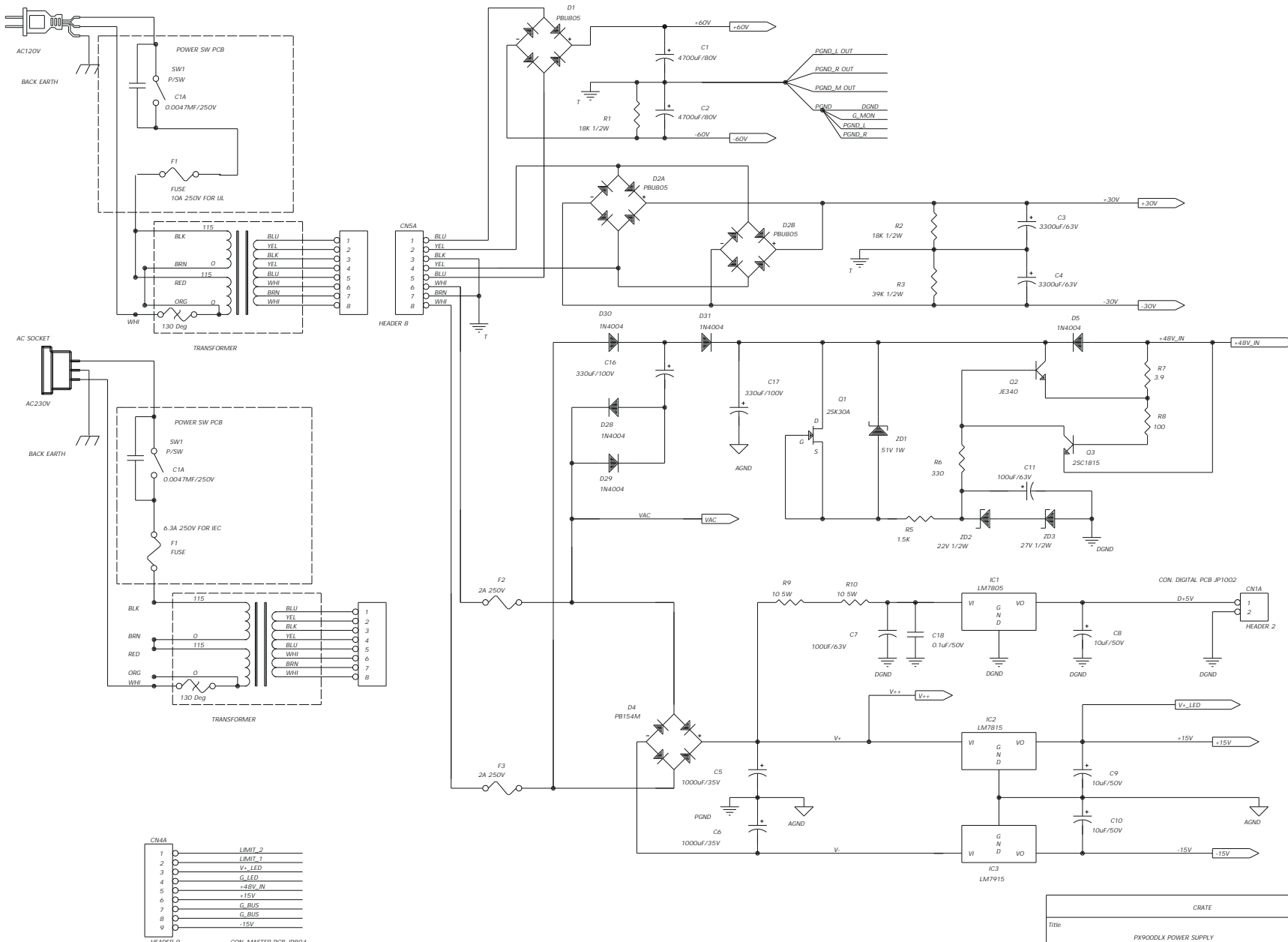
CRATE		
Title	PX900DLX L POWER AMP	
Size	Document Number	REV
B	AMP_L_SCH	A
Date:	April 14, 2000	Sheet 15 of 20



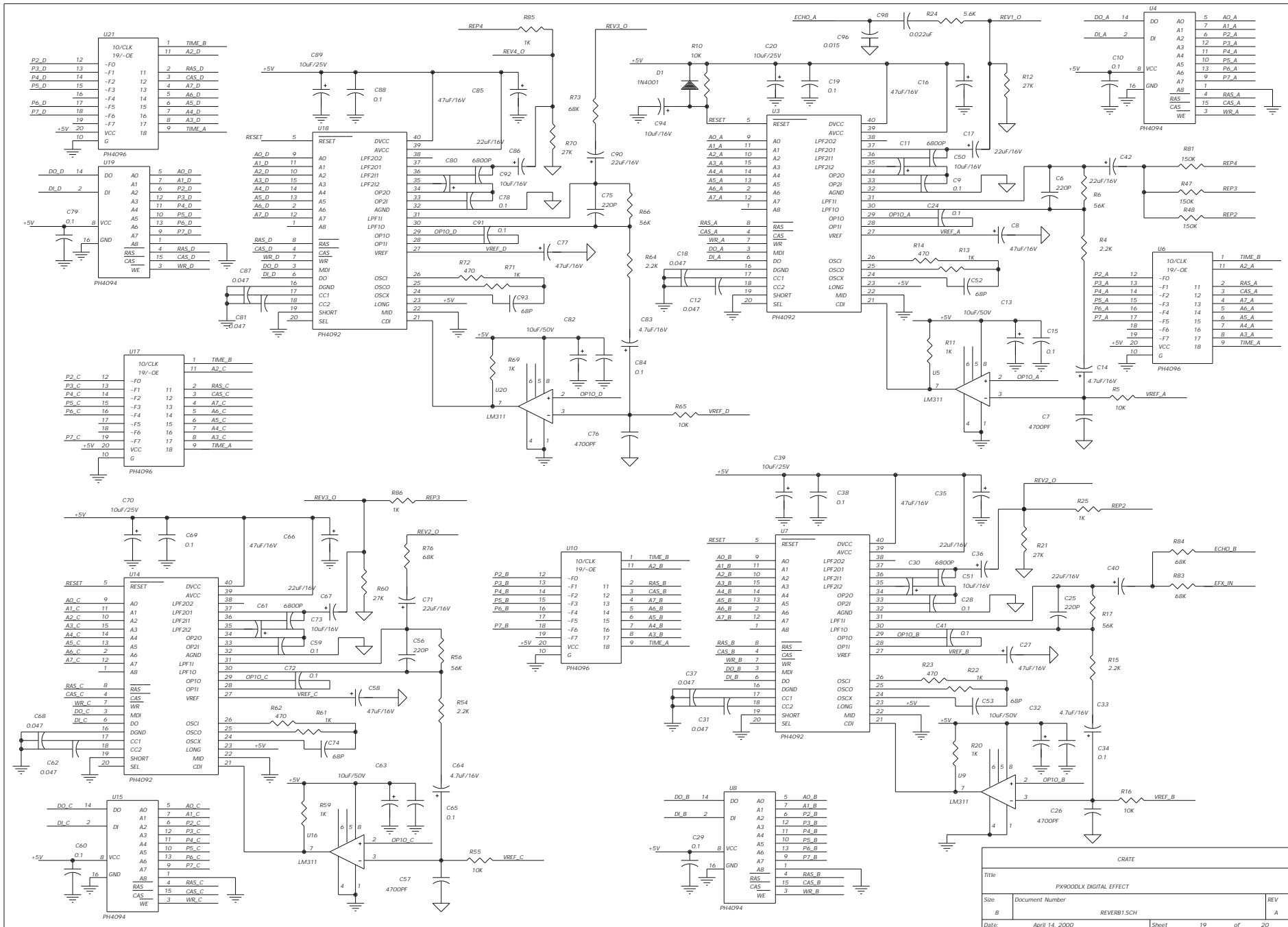
CRATE			
Title: PY900DLX R POWER AMP			
Site:	Document Number:	AMP_R.SCH	REV: A
Date:	April 14, 2000	Sheet: 16	of: 20



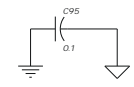
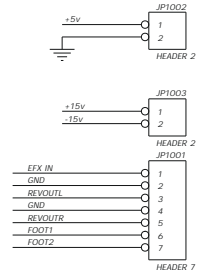
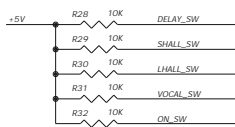
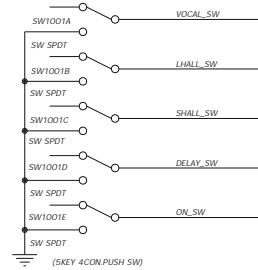
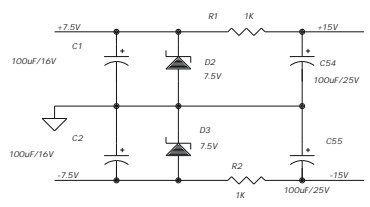
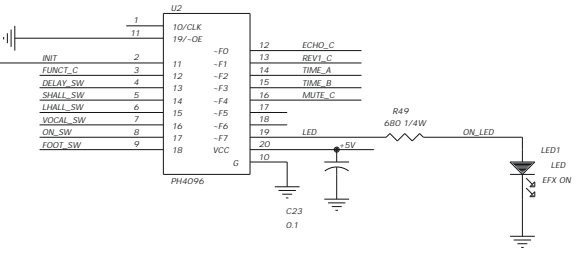
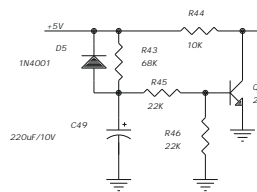
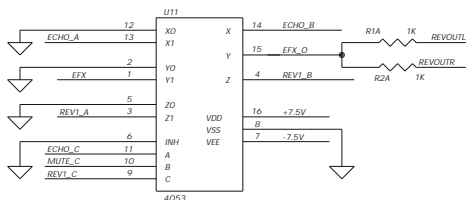
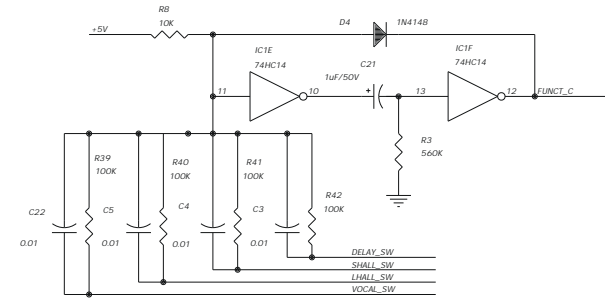
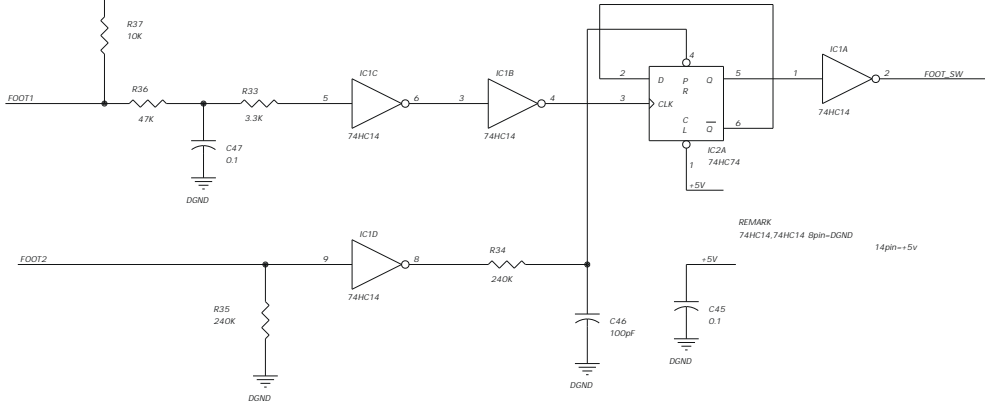
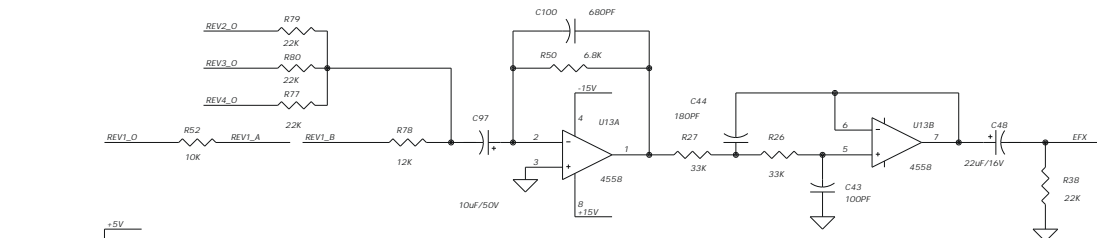
CRATE			
Title PX900DLX RELAY & OUTPUT			
Size B	Document Number RLY_OUT.SCH		REV A
Date April 14, 2000	Sheet 17	of 20	



C:RATE		
Title PX900DLX POWER SUPPLY		
Size B	Document Number POWER.SCH	REV A
Date: April 14, 2000	Sheet 18	of 20



CRATE			
PXROODLX DIGITAL EFFECT			
Size	Document Number		REV
B	REVERB1.SCH		A
Date:	April 14, 2000	Sheet	19 of 20



CRATE			
Title PK900DLX DIGITAL EFFECT			
Size B	Document Number REVERB2 SCH	REV A	
Date: April 14, 2000	Sheet 20	of 20	