

PART	DESCRIPTION	PART #
D1, D2	1N754	21A754-01
D3, D4	1N746	21A146-01
D5-D14	1N914	21A914-01
D15, D16	RED LED	21-117-01
D17, D20	1N4737	21A4737-01
D18, D19	1N914	21A914-01
D21, D22, D42	1N754	21A754-01
D23, D24	1N914	21A914-01
D25-D28	1N4002	21A4002-01
D29, D38	1N914	21A914-01
D30, D41	1N914	21A914-01
D31	RED LED	21-501-01
D32	GREEN LED	21-502-01
D33	YELLOW LED	21-503-01
D34-D37	1N4002	21A4002-01
D39, D40	1N5347	21-547-01
D33	1N4007	21A4007-01
IC1-IC4, IC7	TL072	37-072-01
IC5	MN3007	37-307-01
IC6	MN3101	37-301-01
IC8-IC9	TDA2040	37-240-02
Q1, Q3	J112	96-112-01
Q8	2N5638	96-538-01
Q2, Q4	J176	96-176-01
Q5, Q6	MPSA55	96-055-01
Q7	MPSA06	96-006-01
Q9	J112	96-112-01
Q10	MPSA55	96-055-01
Q11	2N5210	96-510-01
Q12, Q19	MPSA06	96-006-01
Q13	2N5210	96-510-01
Q14, Q15	J112	96-112-01
Q16	2N5067	96-507-01
Q17, Q18	J112	96-112-01
P1, P11	100KRA	70-104-23
P2	50KL	70-133-01
P3, P6, P9	10KA	70-103-22
P4	50KA	70-503-22
P5, P8	250KA	70-254-22
P7	250KL	70-306-01
P10	10KL	70-132-01
J1, J2, J5	1/4" CLIFF T/S	39-115-01
J3, J4	1/4" CLIFF T/R/S	39-117-01
J6-J8, J33, J34	1/4" SP. NOISE	39-118-01
J9-J16	.187 TAB	17-894-01
J18, J27	.250 TAB	17-836-01
J19, J28	.250 TAB	17-836-01
J22-J26	.250 TAB	17-836-01
J29-J32	.250 TAB	17-836-01
J21, J28	GROUND LUG	17-500-01

CAUTION: THIS SCHEMATIC IS PROVIDED FOR USE BY QUALIFIED PERSONNEL. TO AVOID RISK OF ELECTRIC SHOCK, REFER SERVICING TO QUALIFIED SERVICE PERSONNEL. DO NOT PERFORM ANY SERVICING BEYOND THAT EXPLAINED IN THE OPERATING INSTRUCTIONS.

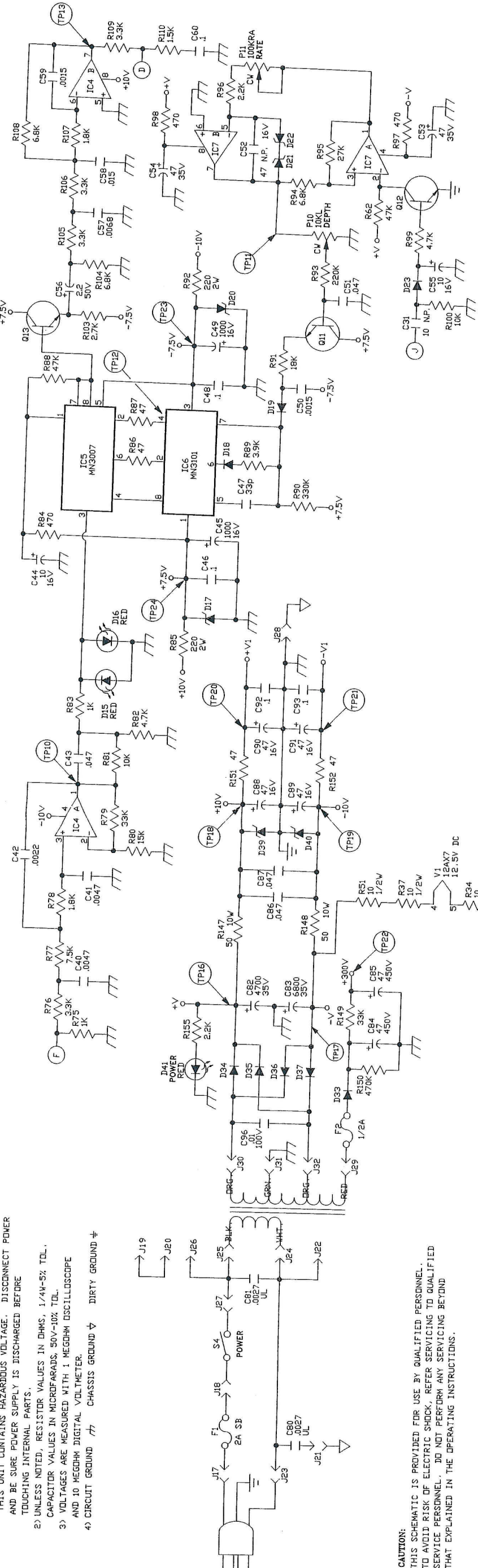
- NOTES**
- 1) CAUTION! SHOCK HAZARD!! THIS UNIT CONTAINS HAZARDOUS VOLTAGE. DISCONNECT POWER AND BE SURE POWER SUPPLY IS DISCHARGED BEFORE TOUCHING INTERNAL PARTS.
 - 2) UNLESS NOTED, RESISTOR VALUES IN OHMS, 1/4W-5% TOL. CAPACITOR VALUES IN MICROFARADS, 50V-10% TOL.
 - 3) VOLTAGES ARE MEASURED WITH 1 MEGOHM OSCILLOSCOPE AND 10 MEGOHM DIGITAL VOLTMETER.
 - 4) CIRCUIT GROUND CHASSIS GROUND DIRTY GROUND

SIGNATURES:		DATE:
DRAWN:	ML	1-11-91
CHK'D:	TEK	05/30/91
APP'D:	TEK	05/30/91
ISSUED:		05/30/91
PLOT DATE:		06/17/91
PLOT TIME:		06:37:31
FILE NAME:	S11601	

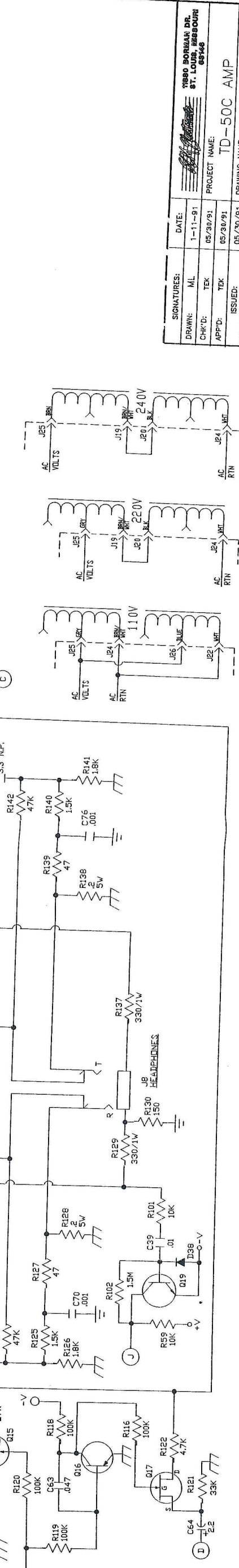
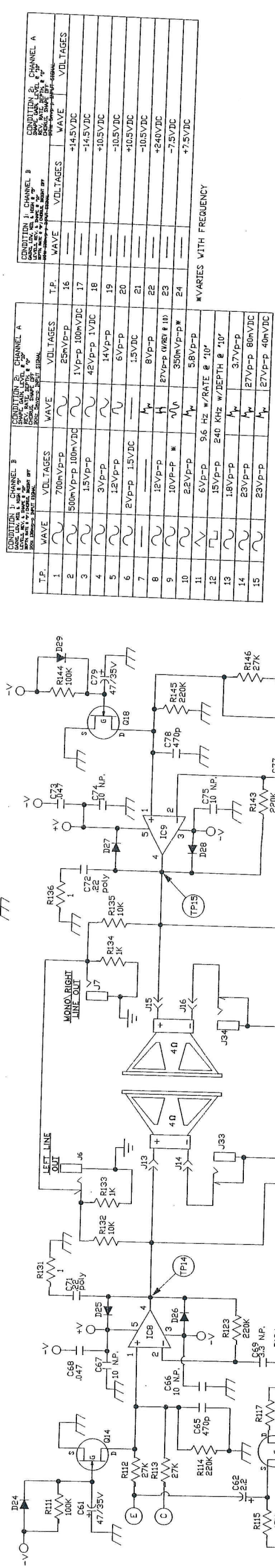
PROJECT NAME: TD-50C AMP
DRAWING NAME: SCHEMATIC
DRAWING NO. 07S116-01
SCALE: NONE SHEET: 1 of 2

NOTES

- 1) CAUTION, SHOCK HAZARD!! THIS UNIT CONTAINS HAZARDOUS VOLTAGE. DISCONNECT POWER AND BE SURE POWER SUPPLY IS DISCHARGED BEFORE TOUCHING INTERNAL PARTS.
- 2) UNLESS NOTED, RESISTOR VALUES IN OHMS, 1/4W-5% TOL. CAPACITOR VALUES IN MICROFARADS, 50V-10% TOL.
- 3) VOLTAGES ARE MEASURED WITH 1 MEGOHM OSCILLOSCOPE AND 10 MEGOHM DIGITAL VOLTMETER.
- 4) CIRCUIT GROUND ∇ CHASSIS GROUND ∇ DIRTY GROUND ∇



CAUTION:
THIS SCHEMATIC IS PROVIDED FOR USE BY QUALIFIED PERSONNEL. TO AVOID RISK OF ELECTRIC SHOCK, REFER SERVICING TO QUALIFIED SERVICE PERSONNEL. DO NOT PERFORM ANY SERVICING BEYOND THAT EXPLAINED IN THE OPERATING INSTRUCTIONS.



CONDITION 1: CHANNEL A			CONDITION 2: CHANNEL B			CONDITION 3: CHANNEL C		
T.P.	WAVE	VOLTAGES	T.P.	WAVE	VOLTAGES	T.P.	WAVE	VOLTAGES
1	700mVp-p	25mVp-p	16	14.5VDC	+14.5VDC	17	14.5VDC	+14.5VDC
2	500mVp-p	100mVDC	17	10.5VDC	+10.5VDC	18	10.5VDC	+10.5VDC
3	15Vp-p	42Vp-p	18	10.5VDC	+10.5VDC	19	10.5VDC	+10.5VDC
4	3Vp-p	14Vp-p	19	10.5VDC	+10.5VDC	20	10.5VDC	+10.5VDC
5	12Vp-p	6Vp-p	20	10.5VDC	+10.5VDC	21	10.5VDC	+10.5VDC
6	2Vp-p	1.5VDC	21	10.5VDC	+10.5VDC	22	10.5VDC	+10.5VDC
7	12Vp-p	8Vp-p	22	10.5VDC	+10.5VDC	23	10.5VDC	+10.5VDC
8	10Vp-p	27Vp-p (RATED @ 10)	23	10.5VDC	+10.5VDC	24	10.5VDC	+10.5VDC
9	6Vp-p	350mVp-p	24	10.5VDC	+10.5VDC	25	10.5VDC	+10.5VDC
10	2.2Vp-p	5.8Vp-p	25	10.5VDC	+10.5VDC	26	10.5VDC	+10.5VDC
11	15Vp-p	9.6 Hz w/RATE @ 10'	26	10.5VDC	+10.5VDC	27	10.5VDC	+10.5VDC
12	1.8Vp-p	240 KHZ w/DEPTH @ 10'	27	10.5VDC	+10.5VDC	28	10.5VDC	+10.5VDC
13	1.8Vp-p	3.7Vp-p	28	10.5VDC	+10.5VDC	29	10.5VDC	+10.5VDC
14	23Vp-p	27Vp-p	29	10.5VDC	+10.5VDC	30	10.5VDC	+10.5VDC
15	23Vp-p	40mVDC	30	10.5VDC	+10.5VDC	31	10.5VDC	+10.5VDC

*VARIES WITH FREQUENCY

EXPORT WIRING

DATE: 1-11-91
 DRAWN: ML
 CHK'D: TEK
 APP'D: TEK
 ISSUED: 05/30/91
 PLOT DATE: 05/30/91
 PLOT TIME: 15:51:54
 FILE NAME: S116011

PROJECT NAME: TD-50C AMP
 DRAWING NAME: SCHEMATIC
 SCALE: NOMINAL

DRAWING NO: 07S116-01
 SHEET: 1