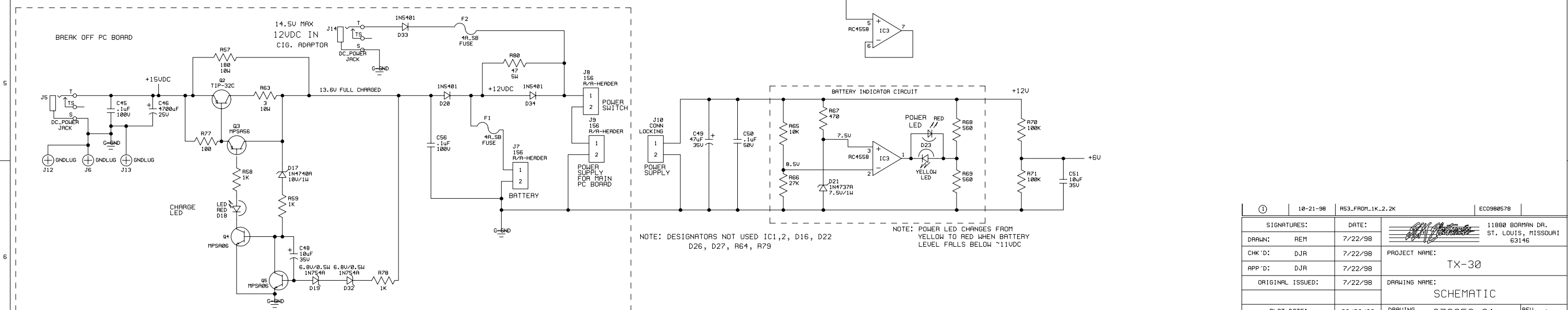


NOTES:  
 1) CAUTION: SHOCK HAZARD!! THIS UNIT CONTAINS HAZARDOUS VOLTAGE. DISCONNECT POWER AND BE SURE POWER SUPPLY IS DISCHARGED BEFORE TOUCHING INTERNAL PARTS.  
 2) UNLESS NOTED, RESISTOR VALUES IN OHMS, 1/4W-5% TOL. CAPACITOR VALUES IN MICROFARADS, 50V-10% TOL.  
 3) VOLTAGES ARE MEASURED WITH 1 MEGOHM OSCILLOSCOPE AND 10 MEGOHM DIGITAL VOLTMETER.  
 4) IC4, 5 POWER: +12V=PIN 4 - GND=PIN 8 IC3 POWER: +12V=PIN 8 - GND=PIN 4

CAUTION: THIS SCHEMATIC IS PROVIDED FOR USE BY QUALIFIED PERSONNEL. TO AVOID RISK OF ELECTRIC SHOCK, REFER SERVICING TO QUALIFIED SERVICE PERSONNEL. DO NOT PERFORM ANY SERVICING BEYOND THAT EXPLAINED IN THE OPERATING INSTRUCTIONS.

TEST CONDITIONS:  
 GAINS & LEVEL @ 10  
 TONE, LOW, MID, HIGH @ 5  
 1kHz SINE WAVE INPUT



NOTE: DESIGNATORS NOT USED IC1, 2, D16, D22 D26, D27, R64, R79

NOTE: POWER LED CHANGES FROM YELLOW TO RED WHEN BATTERY LEVEL FALLS BELOW ~11VDC

①	10-21-98	RS3_FROM_1K_2.2K	EC0980578
SIGNATURES:	DATE:	11880 BORMAN DR. ST. LOUIS, MISSOURI 63146	
DRAWN: REM	7/22/98	PROJECT NAME: TX-30	
CHK'D: DJR	7/22/98	DRAWING NAME: SCHEMATIC	
APP'D: DJR	7/22/98	DRAWING NO. 07S259-01	
ORIGINAL ISSUED:	7/22/98	REV. 1	
PLOT DATE:	00/00/00	SCALE: NONE	
FILE NAME:	25901C1-	SHEET: 1_OF_1	