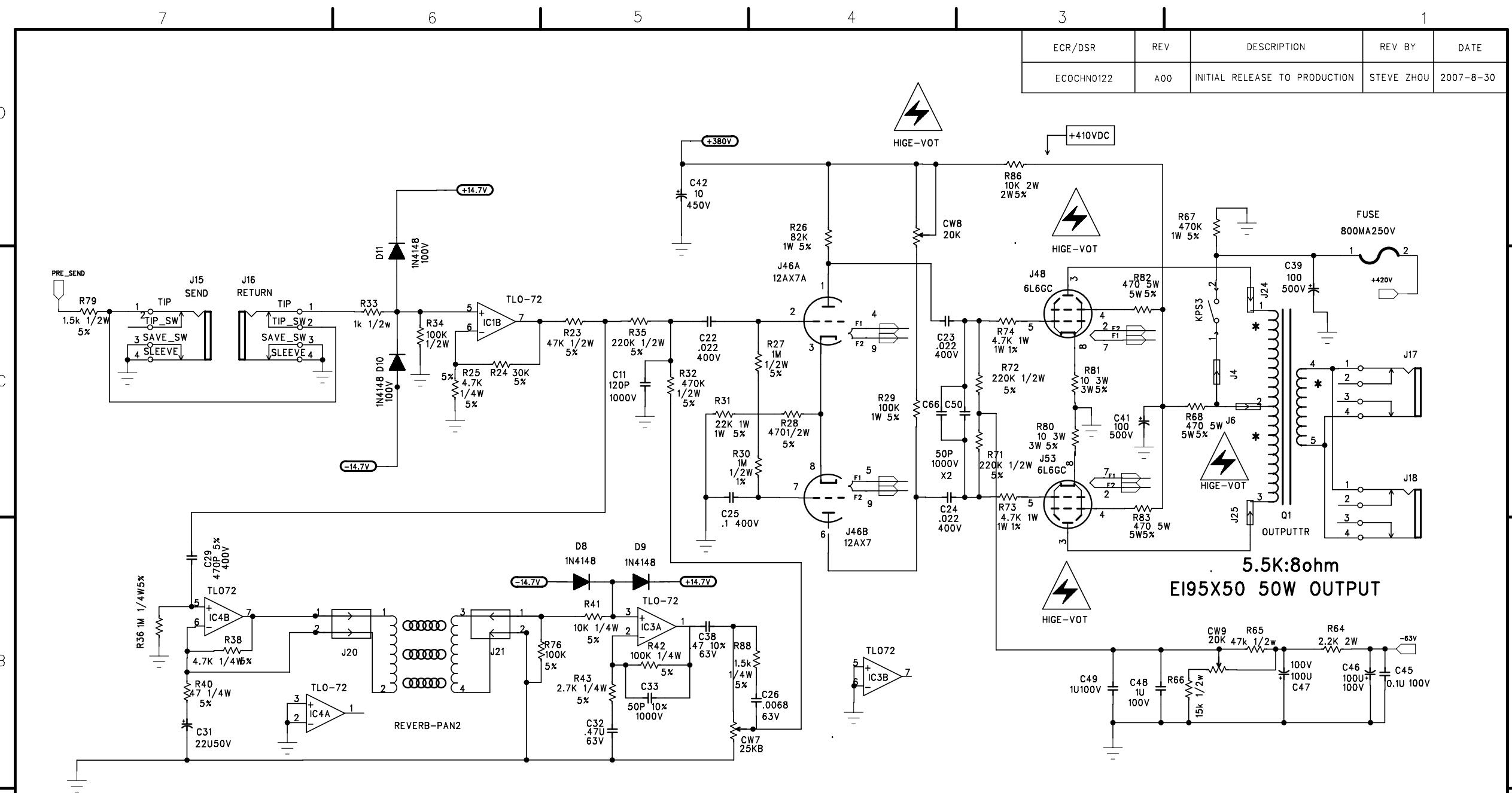


ECR/DSR	REV	DESCRIPTION	REV BY	DATE
ECOCHN0122	A00	INITIAL RELEASE TO PRODUCTION	STEVE ZHOU	2007-8-30



**CAUTION:**  
THIS SCHEMATIC IS PROVIDED FOR USE BY QUALIFIED PERSONNEL TO AVOID RISK OF ELECTRIC SHOCK. REFER SERVICING TO QUALIFIED SERVICE PERSONNEL. DO NOT PERFORM ANY SERVICING BEYOND THAT EXPLAINED IN THE OPERATING INSTRUCTIONS.

- NOTES:**
- 1) CAUTION: SHOCK HAZARD!  
THIS UNIT CONTAINS HAZARDOUS VOLTAGE. DISCONNECT POWER AND BE SURE POWER SUPPLY IS DISCHARGED BEFORE TOUCHING INTERNAL PARTS.
  - 2) UNLESS NOTED, RESISTOR VALUES IN OHMS.  
CAPACITOR VALUES IN MICROFARADS, 50V-10% TOL.
  - 3) VOLTAGES ARE MEASURED WITH 1 MEGOHM OSCILLOSCOPE AND 10 MEGOHM DIGITAL VOLTMETER.

©2006 LOUD TECHNOLOGIES INC.  
ALL RIGHTS RESERVED  
THE INFORMATION CONTAINED HEREIN IS PROPRIETARY AND CONFIDENTIAL PROPERTY OF LOUD TECHNOLOGIES INC.

UNLESS OTHERWISE SPECIFIED DIMENSIONS ARE IN INCHES TOLERANCES ARE: FRACTIONS: DECIMALS: ANGLES: ±NA .XX ±NA ±NA .XX ±NA	APPROVALS DRAWN: Steve CHECKED: Henry MFG ENGINEERING: MATERIAL: FINISH: DO NOT SCALE DRAWING	DATE 06/06/07 06/06/07
--	---	------------------------------

**LOUD Technologies Inc.**  
10220 WOOD-RED RD NE WOODINVILLE, WA 98072

**V50112 TUBE GUITAR OUTPUT**

SIZE: D SCALE: 1:1 DWG. NO.: 0024347 REV. A00  
SHEET 1 OF 1