

T.P.	CHANNEL A (CLEAN CHANNEL)			CHANNEL B (DIRTY CHANNEL)		
	AC VOLTAGE	DC VOLTAGE	WAVEFORM	AC VOLTAGE	DC VOLTAGE	WAVEFORM
1	12V p-p	133V		16V p-p	133V	
2	12V p-p	131V		—	131V	—
3	10V p-p	136V		12V p-p	136V	
4	38V p-p	189V		35V p-p	189V	
5	—	233V	—	—	233V	—
6	—	247V	—	—	247V	—
7	—	156V	—	100V p-p	156V	
8	—	157V	—	82.5V p-p	157V	
9	8V p-p	—		1.5V p-p	—	
10	—	0V	—	—	-10V	—
11	—	-10V	—	—	0V	—

ALL CONTROLS MAX. EXCEPT CH. B LEVEL @ 5 AND REV. A & B @ 0
 INPUT SIGNAL 10mV @ 1kHz
 LINE VOLTAGE 120VAC @ 60Hz
 ALL DC VOLTAGES WITH NO SIGNAL APPLIED

CAUTION:
 THIS SCHEMATIC IS PROVIDED FOR USE BY QUALIFIED PERSONNEL.
 TO AVOID RISK OF ELECTRIC SHOCK, REFER SERVICING TO QUALIFIED
 SERVICE PERSONNEL. DO NOT PERFORM ANY SERVICING BEYOND
 THAT EXPLAINED IN THE OPERATING INSTRUCTIONS.

LAST DESIGNATOR

- R84 D19
- C56 P10
- DC5 IC1
- J35 FC4
- JW43

UNUSED DESIGNATOR

- Q3 Q4
- C6 C49
- C7 C46
- R77 R78
- J01 J03
- J04

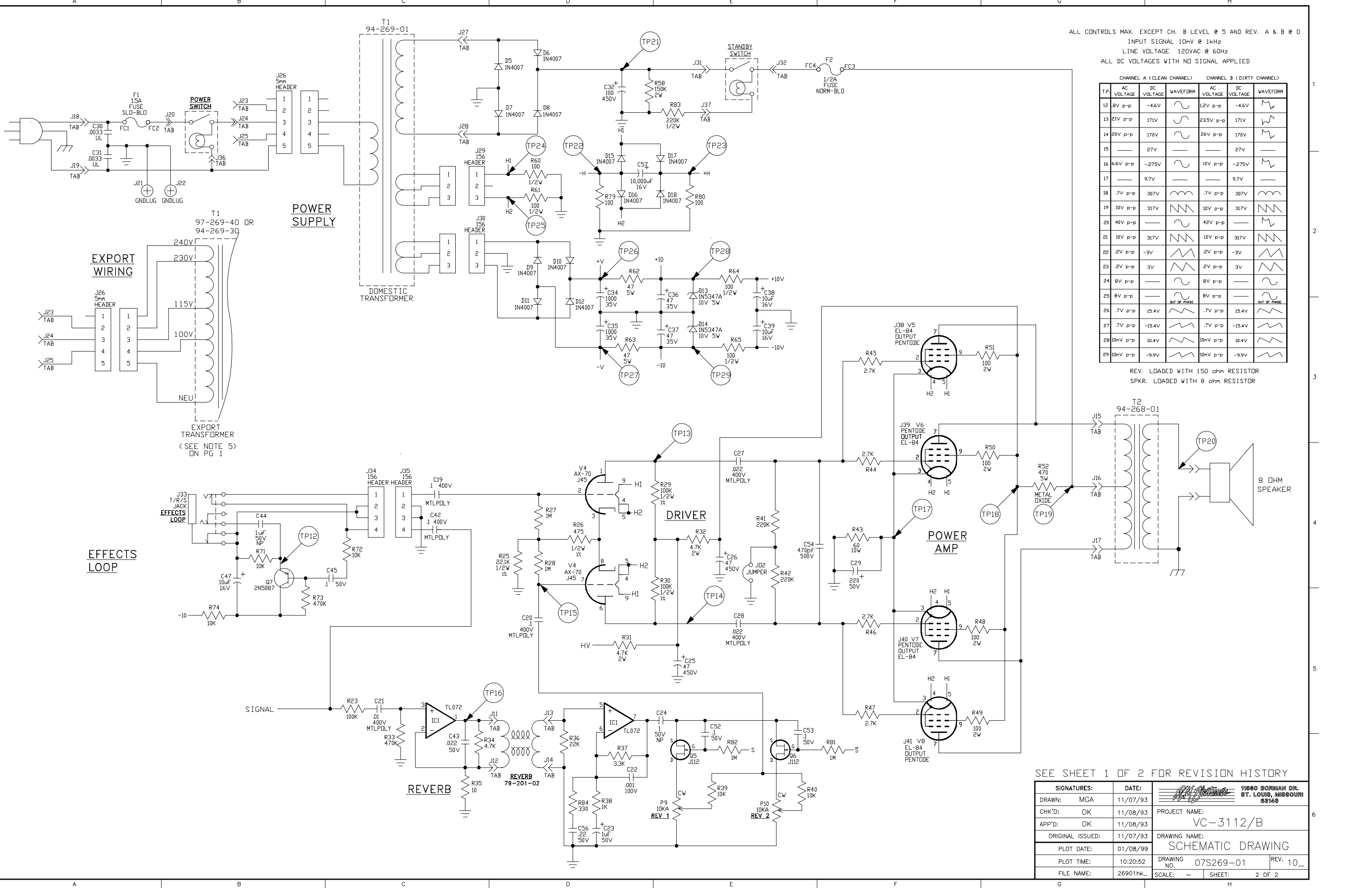
NOTES

- 1) CAUTION: SHOCK HAZARD!
 THIS UNIT CONTAINS HAZARDOUS VOLTAGE. DISCONNECT POWER
 AND BE SURE POWER SUPPLY IS DISCHARGED BEFORE
 TOUCHING INTERNAL PARTS.
- 2) UNLESS NOTED, RESISTOR VALUES IN OHMS, 1/4W-5% TOL.
 CAPACITOR VALUES IN MICROFARADS, 50V-10% TOL.
- 3) VOLTAGES ARE MEASURED WITH 1 MEGOHM OSCILLOSCOPE
 AND 10 MEGOHM DIGITAL VOLTMETER.
- 4) CIRCUIT GROUND \perp SWITCH GROUND ∇ CHASSIS GROUND ∇
- 5) 97-269-40 PWR. XFMR HAS J26 PINS# 1 & 2 REVERSED.
 J26 PIN #1 NOT USED ON 94-269-30 XFMR.

REV	DATE	BY	CHK'D	DESCRIPTION
10	11/11/98	WFB		REV TO MATCH PICT PER E980572 E980573
10	8/3/98	REM		REV TO MATCH PICT PER ECO980079.
9	11/12/97	SWR		ADDED FUSE LABEL TO PICT. SCH. NOT AFFECTED. PER ECO #970756.
8	09/22/97	MAG		ADDED XFMR OPTION (PG 2) & NOTE 5 (PG 1) TO SCHEMATIC ONLY PER ECO 970542.
7	02/17/97	MAG		CHG'D FUSE CLIPS & FUSES PER ECO 970060
6	2/13/97	REM		C43 TO .022 PER E970044.
5	08/28/96	SWR		CHANGED VALUE OF F2. PER ECO #960366.
4	8-1-96	RLB		R52 WAS WIRE WOUND CHANGE PER ECO 960277
3	3-2-95	JCJ		REPLACED R67 W/77-105-02 PER ECO E0587
2	9-8-94	REM		IC1 TO T0072 PER E0364
1	4-8-94	REM		CHANGED VALUES PER E097 & 154

SIGNATURES:		DATE:	
DRAWN: MGA		11/07/93	
CHK'D: OK		11/08/93	
APP'D: OK		11/08/93	
ORIGINAL ISSUED:		11/07/93	
PLOT DATE:		01/08/99	
PLOT TIME:		10:20:52	
FILE NAME:		26901hk...	

11880 BORMAN DR. ST. LOUIS, MISSOURI 63146	
PROJECT NAME: VC-3112/B	
DRAWING NAME: SCHEMATIC DRAWING	
DRAWING NO. 07S269-01	REV. 10
SCALE: ~	SHEET: 1 OF 2



ALL CONTROLS MAX. EXCEPT CH. B LEVEL @ 5 AND REV. A & B @ 0
 INPUT SIGNAL 10mV @ 1kHz
 LINE VOLTAGE 120VAC @ 60Hz
 ALL DC VOLTAGES WITH NO SIGNAL APPLIED

T.P.	CHANNEL A (CLEAN CHANNEL)			CHANNEL B (DIRTY CHANNEL)		
	AC VOLTAGE	DC VOLTAGE	WAVEFORM	AC VOLTAGE	DC VOLTAGE	WAVEFORM
12	.8V p-p	-4.6V		1.2V p-p	-4.6V	
13	21V p-p	171V		235V p-p	171V	
14	28V p-p	170V		26V p-p	170V	
15	—	27V	—	—	27V	—
16	6.6V p-p	-275V		10V p-p	-275V	
17	—	9.7V	—	—	9.7V	—
18	.7V p-p	307V		.7V p-p	307V	
19	10V p-p	317V		10V p-p	317V	
20	40V p-p	—		42V p-p	—	
21	10V p-p	317V		10V p-p	317V	
22	.2V p-p	-3V		.2V p-p	-3V	
23	.2V p-p	3V		.2V p-p	3V	
24	8V p-p	—		8V p-p	—	
25	8V p-p	—		8V p-p	—	
26	.7V p-p	15.4V		.7V p-p	15.4V	
27	.7V p-p	-15.4V		.7V p-p	-15.4V	
28	10mV p-p	10.4V		10mV p-p	10.4V	
29	10mV p-p	-9.9V		10mV p-p	-9.9V	

REV. LOADED WITH 150 ohm RESISTOR
 SPKR. LOADED WITH 8 ohm RESISTOR

SEE SHEET 1 OF 2 FOR REVISION HISTORY

SIGNATURES:	DATE:		1160 BORMAN DR. ST. LOUIS, MISSOURI 63146
DRAWN: MGA	11/07/93		
CHK'D: OK	11/08/93	PROJECT NAME:	
APP'D: OK	11/08/93	VC-3112/B	
ORIGINAL ISSUED:	11/07/93	DRAWING NAME:	
PLOT DATE:	01/08/99	SCHEMATIC DRAWING	
PLOT TIME:	10:20:52	DRAWING NO.	07S269-01
FILE NAME:	26901hk...	REV.	10
		SCALE:	SHEET: 2 OF 2