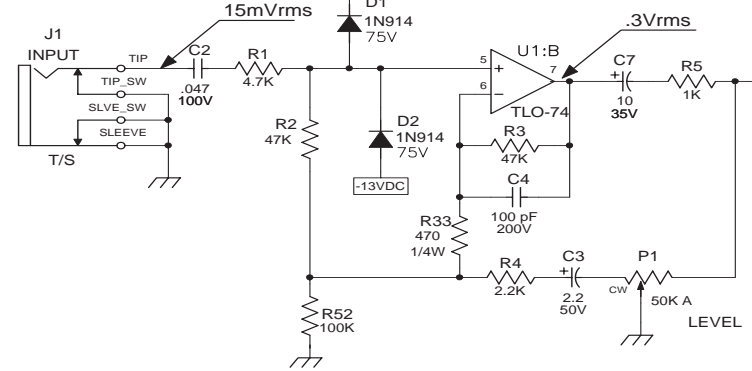
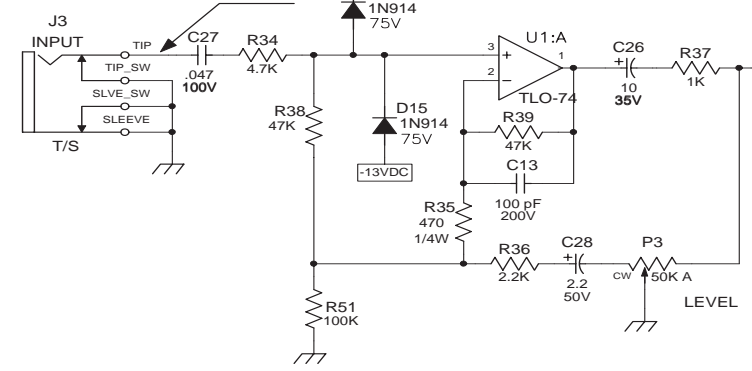


CHANNEL 1



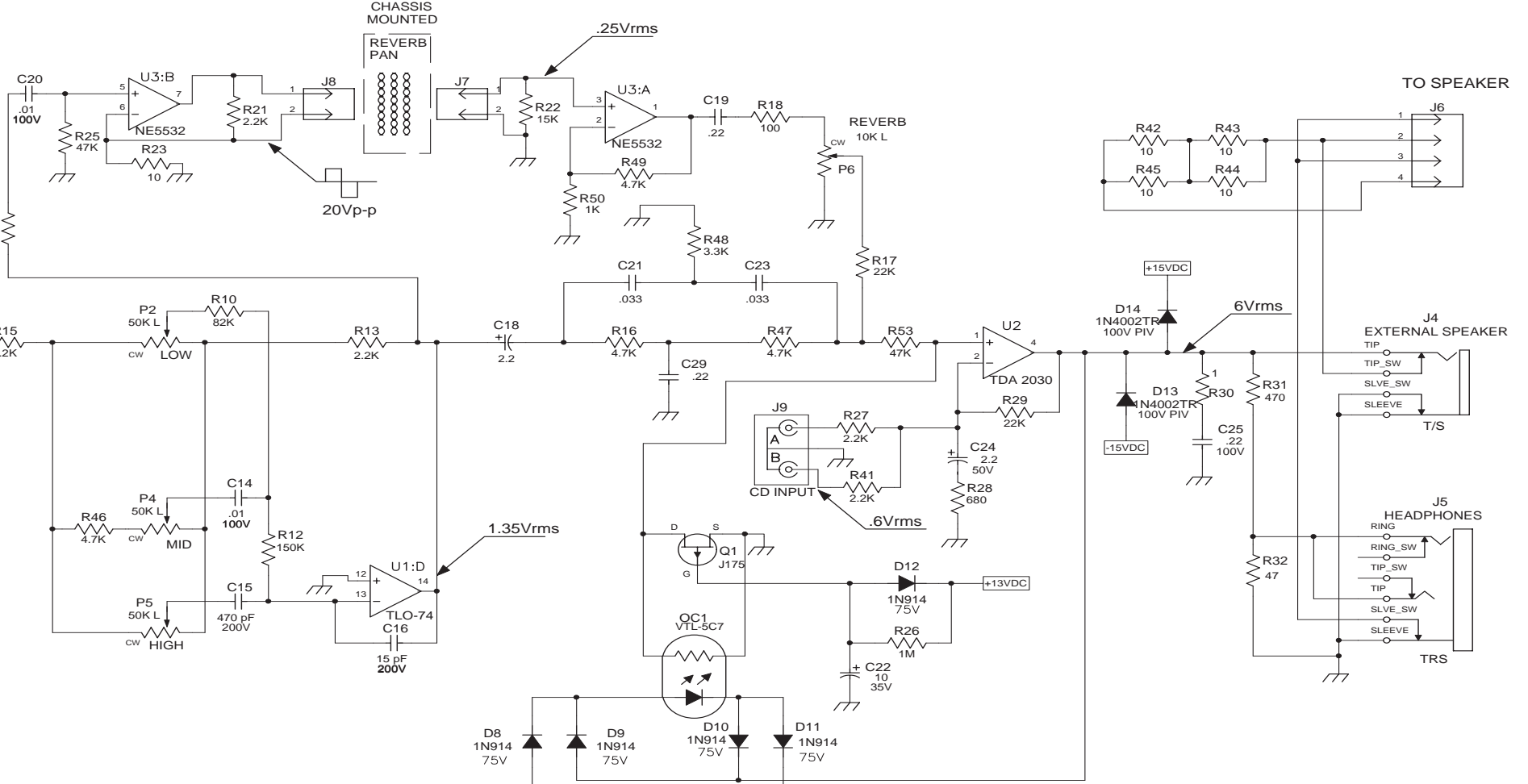
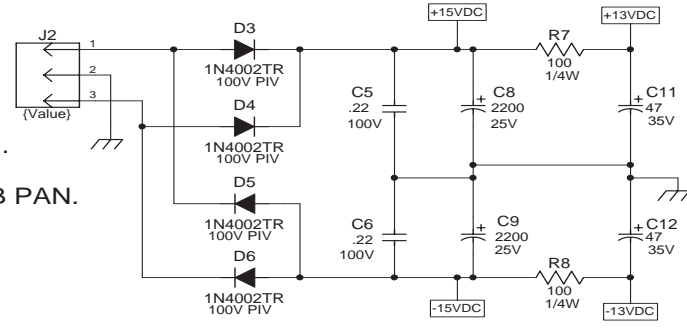
CHANNEL 2



TEST CONDITIONS:
 1KHZ SINE WAVE, CH1 AND CH2 LEVEL @ "10".
 LOW, MID, HIGH @ "5", REVERB LEVEL @ "0" EXCEPT
 WHEN TESTING REVERB RETURN, REVERB LEVEL @ "10".
NOTE:
 LOAD J8 WITH 150 OHM LOAD AND DISCONNECT REVERB PAN.
 LOAD J6 WITH 4 OHM LOAD ACROSS PINS 1 & 2.

CAUTION:
 THIS SCHEMATIC IS PROVIDED FOR USE BY QUALIFIED PERSONNEL.
 TO AVOID RISK OF ELECTRIC SHOCK, REFER SERVICING TO QUALIFIED
 SERVICE PERSONNEL. DO NOT PERFORM ANY SERVICING BEYOND
 THAT EXPLAINED IN THE OPERATING INSTRUCTIONS.

- NOTES:**
- 1) CAUTION: SHOCK HAZARD!! THIS UNIT CONTAINS HAZARDOUS VOLTAGE. DISCONNECT POWER AND BE SURE POWER SUPPLY IS DISCHARGED BEFORE TOUCHING INTERNAL PARTS.
 - 2) UNLESS NOTED, RESISTOR VALUES IN OHMS, 1/4W-5% TOL. CAPACITOR VALUES IN MICROFARADS, 50V-10% TOL.
 - 3) VOLTAGES ARE MEASURED WITH 1 MEGOHM OSCILLOSCOPE AND 10 MEGOHM DIGITAL VOLTMETER.



Power Table				
RefDes	-13VDC	+13VDC	-15VDC	+15VDC
U1	11	4		
U2			3	5
U3	4	8		

ASSY P/N 07-193-01

0	05/03/05	CONTROL ISSUE		WFB		
REV	Date	DESCRIPTION	Ecr(s)/Ecn(s)	Chgd By	Appvd by	Date
THE INFORMATION CONTAINED ON THIS DRAWING IS PROPRIETARY TO ST. LOUIS MUSIC, INC.						
Signatures:			Date:			
Drawn: REM		8/21/03		1901 Congressional, St. Louis, MO 63146		
Checked:			First Used On:			
Released:						
Plot Date: Tue May 03, 2005		Drawing Size: C		Drawing Title: PWA - 15W ACOUSTIC AMP		
Plot Time: 07:11:51		Drawing Type: Schematic		Drawing Number: 07S193		
Tolerance:		Class Code: NONE		Sheet 1 of 1		