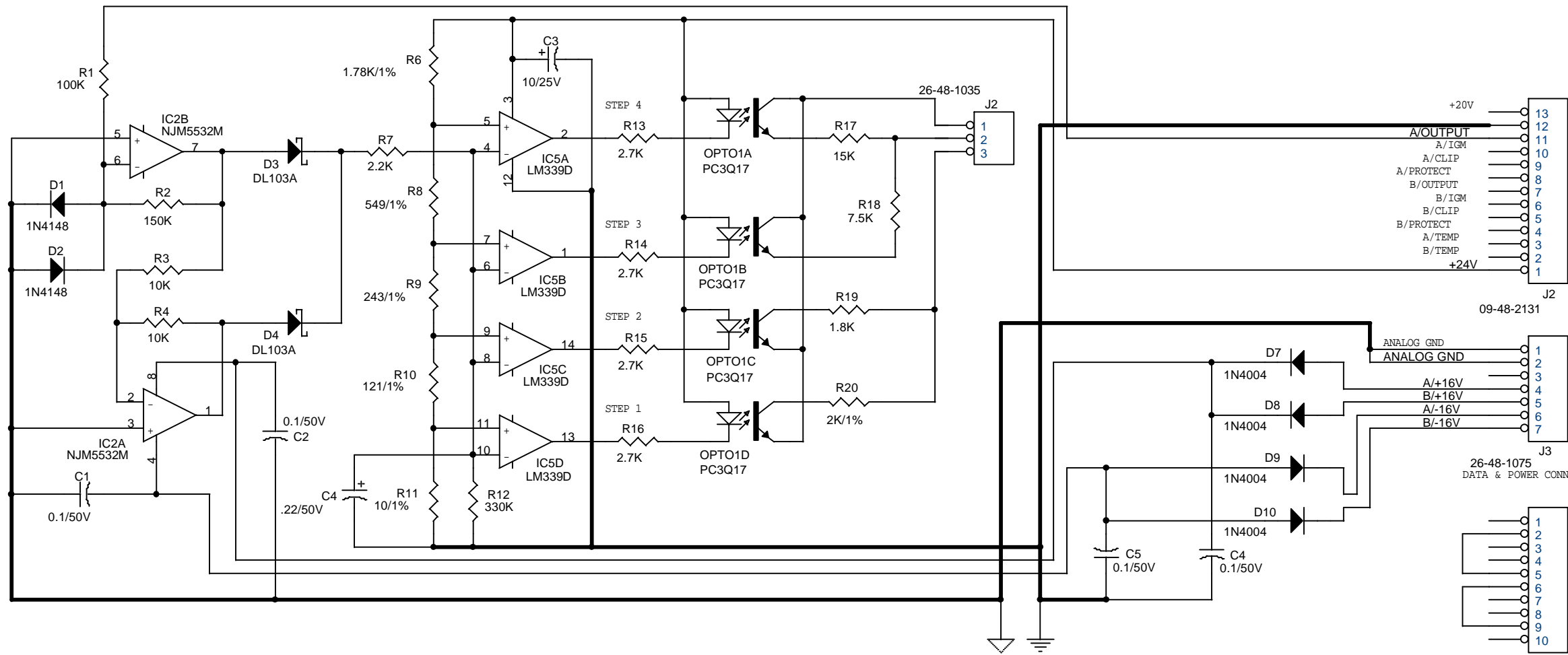


NOTE 1: 8.2K 2W ON MODELS 8001, 7001, CV601/600
 6.8K 2W ON MODELS 6001, 4801
 5.6K 2W ON MODELS CC301/300
 3.3K 2W ON MODELS CV301/300, CC151/150

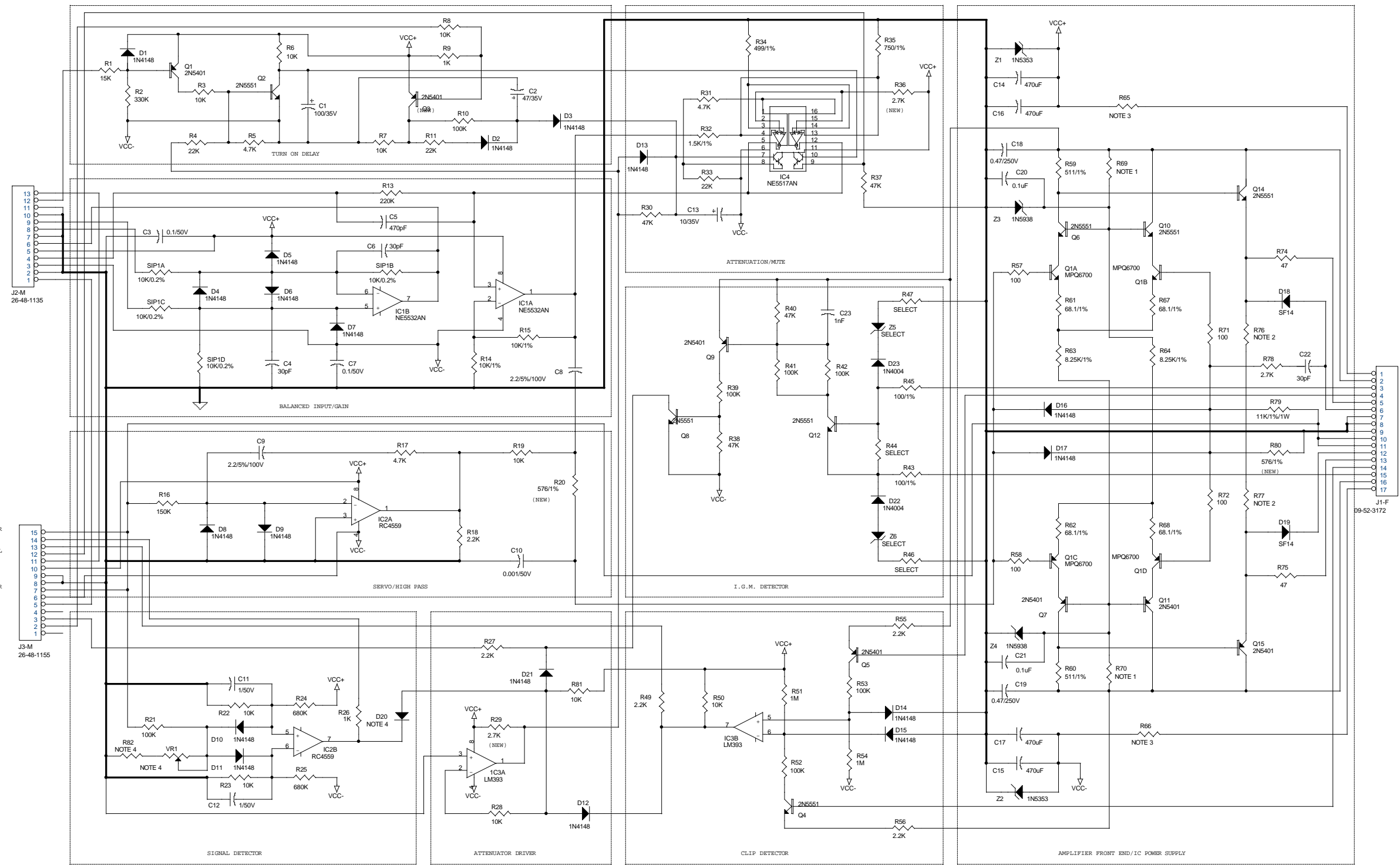
NOTE 2: 27K 2W ON MODELS 8001, 7001, CC601/600
 20K 2W ON MODELS 6001, 4801, CC301/300
 15K 2W ON MODELS CV301/300, CC151/150

NOTE 3: 1K 10W ON MODELS CC151/150, CV301/300
 820 10W ON ALL OTHER MODELS



CHANNEL B SAME AS ABOVE

CREST AUDIO		
100 EISENHOWER DRIVE PARAMUS, NJ 07652		
Title NEXSYS DATA ENCODER		
Size B	Document Number 21B1646	Rev
Date: Wednesday, May 17, 2000	Sheet 0	of 0



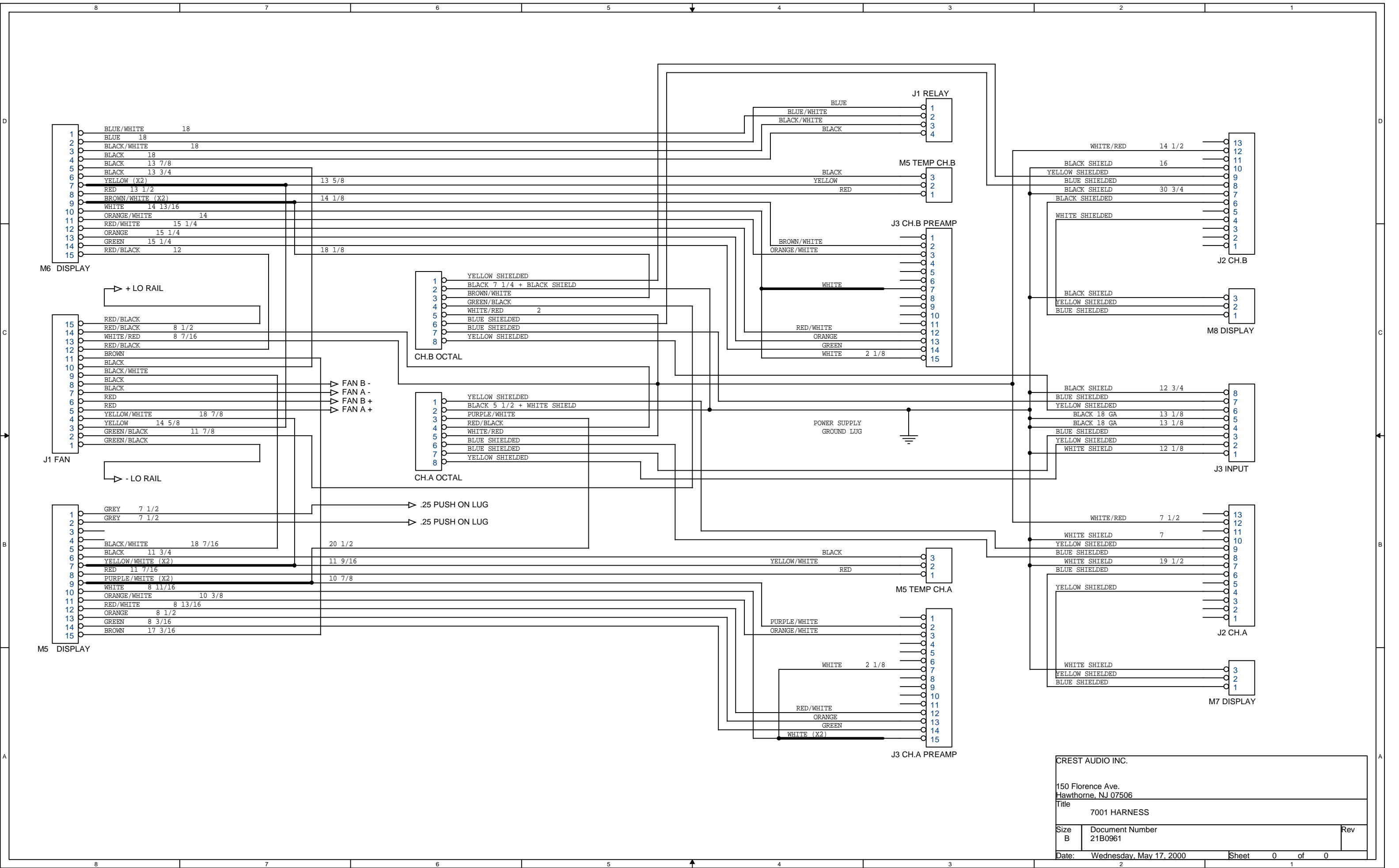
NOTE 1: 8.2K 2W ON MODELS 8001, 7001, CV601
 6.8K 2W ON MODELS 6001, 4801
 4.3K 2W ON MODEL 4601
 5.6K 2W ON MODELS CC301/300
 3.3K 2W ON MODELS CV301, CC151, 3301
 NOTE 2: 27K 2W ON MODELS 8001, 7001, CV601
 20K 2W ON MODELS 6001, 4801, CC301
 16K 2W ON MODEL 4601
 15K 2W ON MODELS CV301, CC151, 3301

NOTE 3: 750 10W ON MODELS 8001, CV601
 680 10W ON MODEL 7001
 620 10W ON MODEL 6001
 560 10W ON MODELS 4801, MA5850
 1.1K 10W ON MODEL 4601
 560 10W ON MODELS CC301
 1K 10W ON MODELS CV301, 3301
 360 10W ON MODEL CC151
 NOTE 4: R82, D20, VR1 ARE USED ON MODEL MA5850 ONLY
 NOTE 5: PRIOR TO 6-2-92 R65, R66 WERE 1K/10W ON MODEL CC151

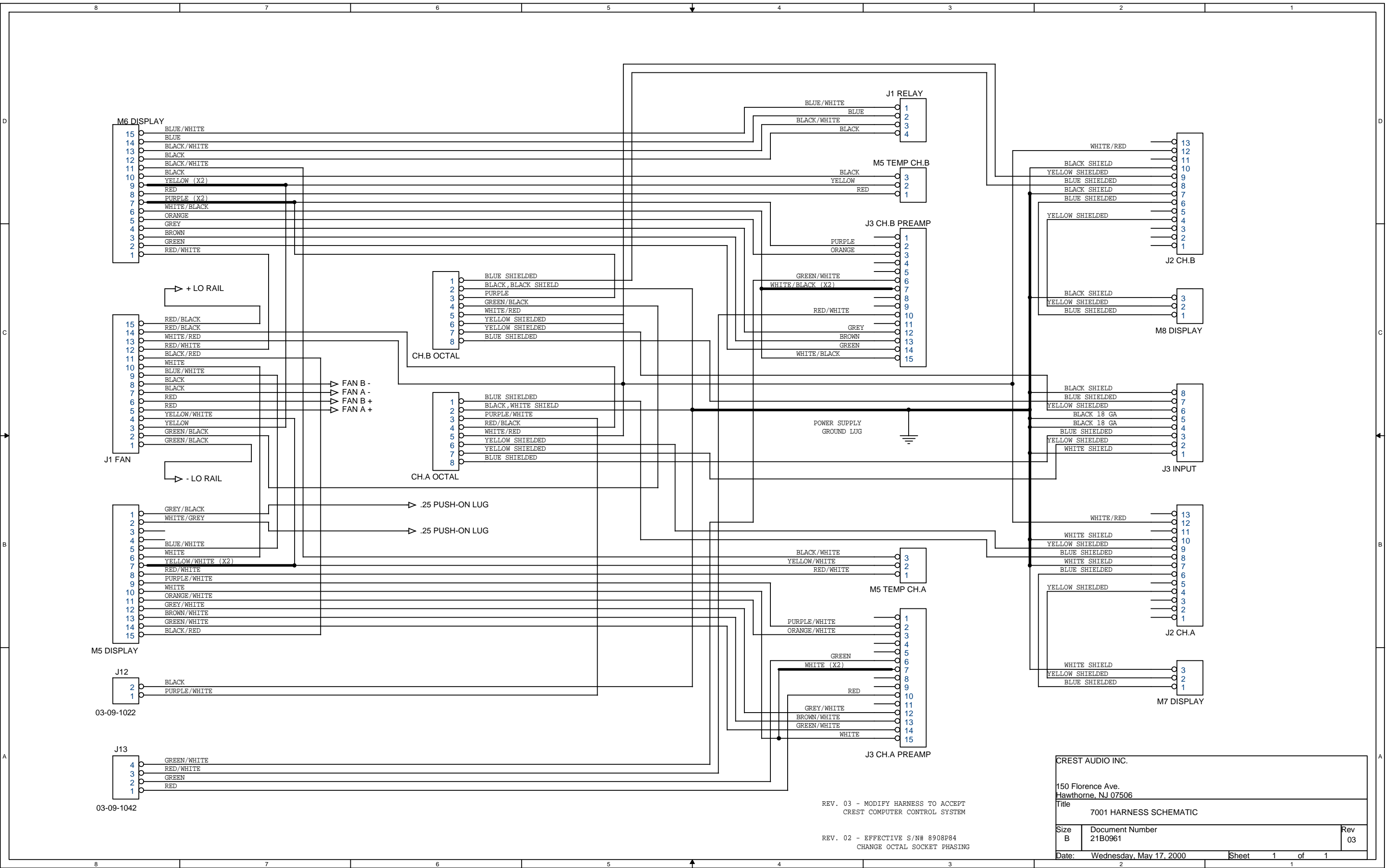
1.1K 10W ON MODEL 4601
 560 10W ON MODELS CC301
 1K 10W ON MODELS CV301, CC151, 3301
 NOTE 4: R82, R83, D20, VR1 ARE USED ON MODEL MA5850 ONLY

REV NOTES 7/15/93
 (1) DELETE R12

CREST AUDIO INC.		
150 Florence Ave. Hawthorne, NJ 07506		
Title PRO-LINE PREAMP/FRONT END		
Size C	Document Number 21C1124-02	Rev 02
Date: Wednesday, May 17, 2000	Sheet 1	of 1



CREST AUDIO INC.
 150 Florence Ave.
 Hawthorne, NJ 07506
 Title
 7001 HARNESS
 Size B Document Number 21B0961 Rev
 Date: Wednesday, May 17, 2000 Sheet 0 of 0



REV. 03 - MODIFY HARNESS TO ACCEPT
CREST COMPUTER CONTROL SYSTEM

REV. 02 - EFFECTIVE S/N# 8908P84
CHANGE OCTAL SOCKET PHASING

CREST AUDIO INC.		
150 Florence Ave. Hawthorne, NJ 07506		
Title 7001 HARNESS SCHEMATIC		
Size B	Document Number 21B0961	Rev 03
Date: Wednesday, May 17, 2000	Sheet 1 of 1	

- M6 DISPLAY**
- 15 BLUE/WHITE
 - 14 BLUE
 - 13 BLACK/WHITE
 - 12 BLACK
 - 11 BLACK/WHITE
 - 10 BLACK
 - 9 YELLOW (X2)
 - 8 RED
 - 7 PURPLE (X2)
 - 6 WHITE/BLACK
 - 5 ORANGE
 - 4 GREY
 - 3 BROWN
 - 2 GREEN
 - 1 RED/WHITE

- J1 FAN**
- 15 RED/BLACK
 - 14 RED/BLACK
 - 13 WHITE/RED
 - 12 RED/WHITE
 - 11 BLACK/RED
 - 10 WHITE
 - 9 BLUE/WHITE
 - 8 BLACK
 - 7 BLACK
 - 6 RED
 - 5 RED
 - 4 YELLOW/WHITE
 - 3 YELLOW
 - 2 GREEN/BLACK
 - 1 GREEN/BLACK

- M5 DISPLAY**
- 1 GREY/BLACK
 - 2 WHITE/GREY
 - 3
 - 4 BLUE/WHITE
 - 5 WHITE
 - 6 YELLOW/WHITE (X2)
 - 7 RED/WHITE
 - 8 PURPLE/WHITE
 - 9 WHITE
 - 10 ORANGE/WHITE
 - 11 GREY/WHITE
 - 12 BROWN/WHITE
 - 13 GREEN/WHITE
 - 14 BLACK/RED
 - 15

- J12**
03-09-1022
- 2 BLACK
 - 1 PURPLE/WHITE

- J13**
03-09-1042
- 4 GREEN/WHITE
 - 3 RED/WHITE
 - 2 GREEN
 - 1 RED

- CH.B OCTAL**
- 1 BLUE SHIELDED
 - 2 BLACK, BLACK SHIELD
 - 3 PURPLE
 - 4 GREEN/BLACK
 - 5 WHITE/RED
 - 6 YELLOW SHIELDED
 - 7 YELLOW SHIELDED
 - 8 BLUE SHIELDED

- CH.A OCTAL**
- 1 BLUE SHIELDED
 - 2 BLACK, WHITE SHIELD
 - 3 PURPLE/WHITE
 - 4 RED/BLACK
 - 5 WHITE/RED
 - 6 YELLOW SHIELDED
 - 7 YELLOW SHIELDED
 - 8 BLUE SHIELDED

- J1 RELAY**
- 1 BLUE/WHITE
 - 2 BLUE
 - 3 BLACK/WHITE
 - 4 BLACK

- M5 TEMP CH.B**
- 3 BLACK
 - 2 YELLOW
 - 1 RED

- J3 CH.B PREAMP**
- 1 PURPLE
 - 2 ORANGE
 - 3
 - 4
 - 5 GREEN/WHITE
 - 6 WHITE/BLACK (X2)
 - 7
 - 8 RED/WHITE
 - 9
 - 10
 - 11 GREY
 - 12 BROWN
 - 13 GREEN
 - 14 WHITE/BLACK
 - 15

POWER SUPPLY
GROUND LUG

- M5 TEMP CH.A**
- 3 BLACK/WHITE
 - 2 YELLOW/WHITE
 - 1 RED/WHITE

- J3 CH.A PREAMP**
- 1 PURPLE/WHITE
 - 2 ORANGE/WHITE
 - 3
 - 4
 - 5 GREEN
 - 6 WHITE (X2)
 - 7
 - 8 RED
 - 9
 - 10
 - 11 GREY/WHITE
 - 12 BROWN/WHITE
 - 13 GREEN/WHITE
 - 14 WHITE
 - 15

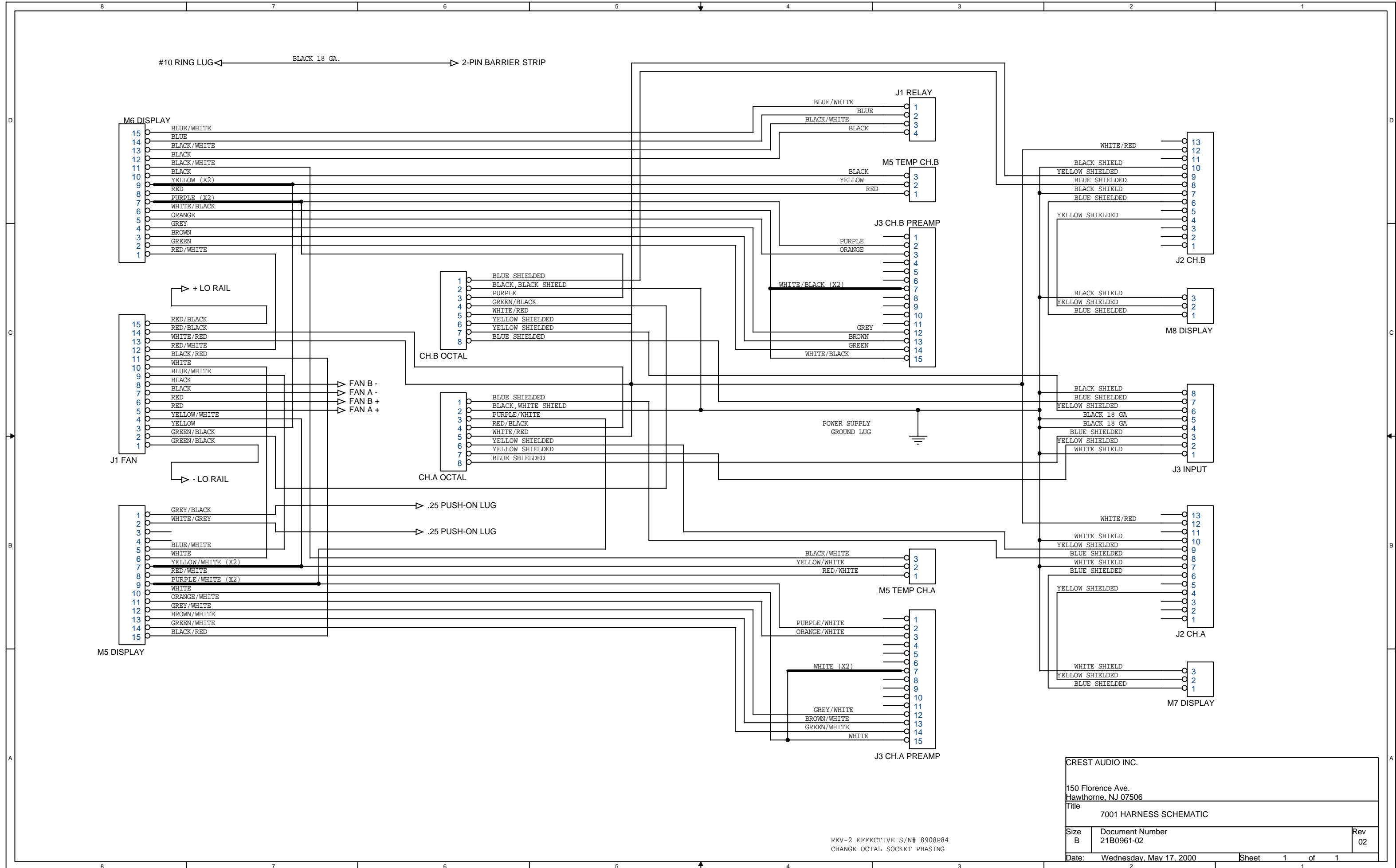
- J2 CH.B**
- 13 WHITE/RED
 - 12
 - 11 BLACK SHIELD
 - 10 YELLOW SHIELDED
 - 9 BLUE SHIELDED
 - 8 BLACK SHIELD
 - 7 BLUE SHIELDED
 - 6
 - 5 YELLOW SHIELDED
 - 4
 - 3
 - 2
 - 1

- M8 DISPLAY**
- 3 BLACK SHIELD
 - 2 YELLOW SHIELDED
 - 1 BLUE SHIELDED

- J3 INPUT**
- 8 BLACK SHIELD
 - 7 BLUE SHIELDED
 - 6 YELLOW SHIELDED
 - 5 BLACK 18 GA
 - 4 BLACK 18 GA
 - 3 BLUE SHIELDED
 - 2 YELLOW SHIELDED
 - 1 WHITE SHIELD

- J2 CH.A**
- 13 WHITE/RED
 - 12
 - 11 WHITE SHIELD
 - 10 YELLOW SHIELDED
 - 9 BLUE SHIELDED
 - 8 WHITE SHIELD
 - 7 BLUE SHIELDED
 - 6
 - 5 YELLOW SHIELDED
 - 4
 - 3
 - 2
 - 1

- M7 DISPLAY**
- 3 WHITE SHIELD
 - 2 YELLOW SHIELDED
 - 1 BLUE SHIELDED

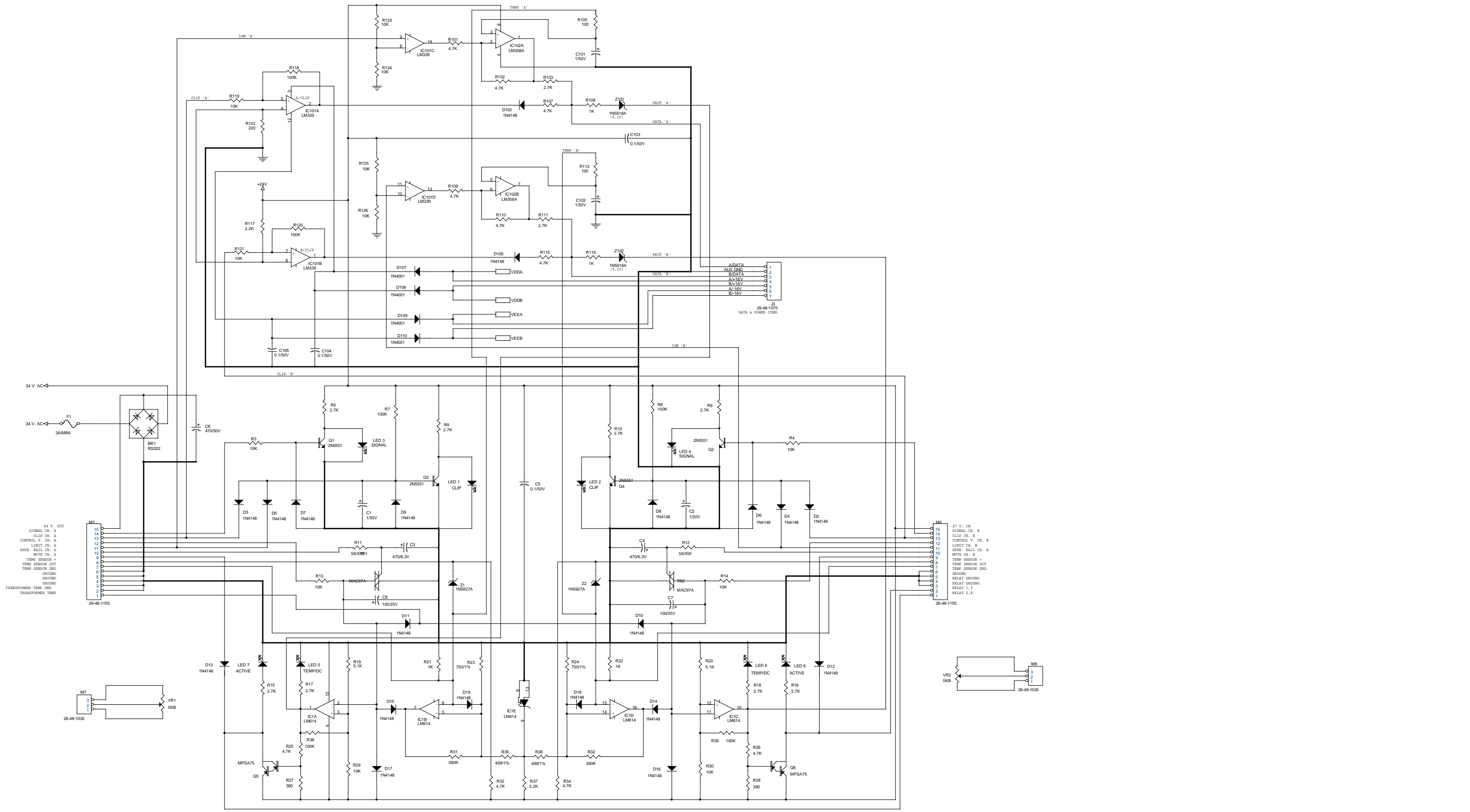


CREST AUDIO INC.
 150 Florence Ave.
 Hawthorne, NJ 07506
 Title
 7001 HARNESS SCHEMATIC

Size	Document Number	Rev
B	21B0961-02	02

Date: Wednesday, May 17, 2000 Sheet 1 of 1

REV-2 EFFECTIVE S/N# 8908P84
 CHANGE OCTAL SOCKET PHASING



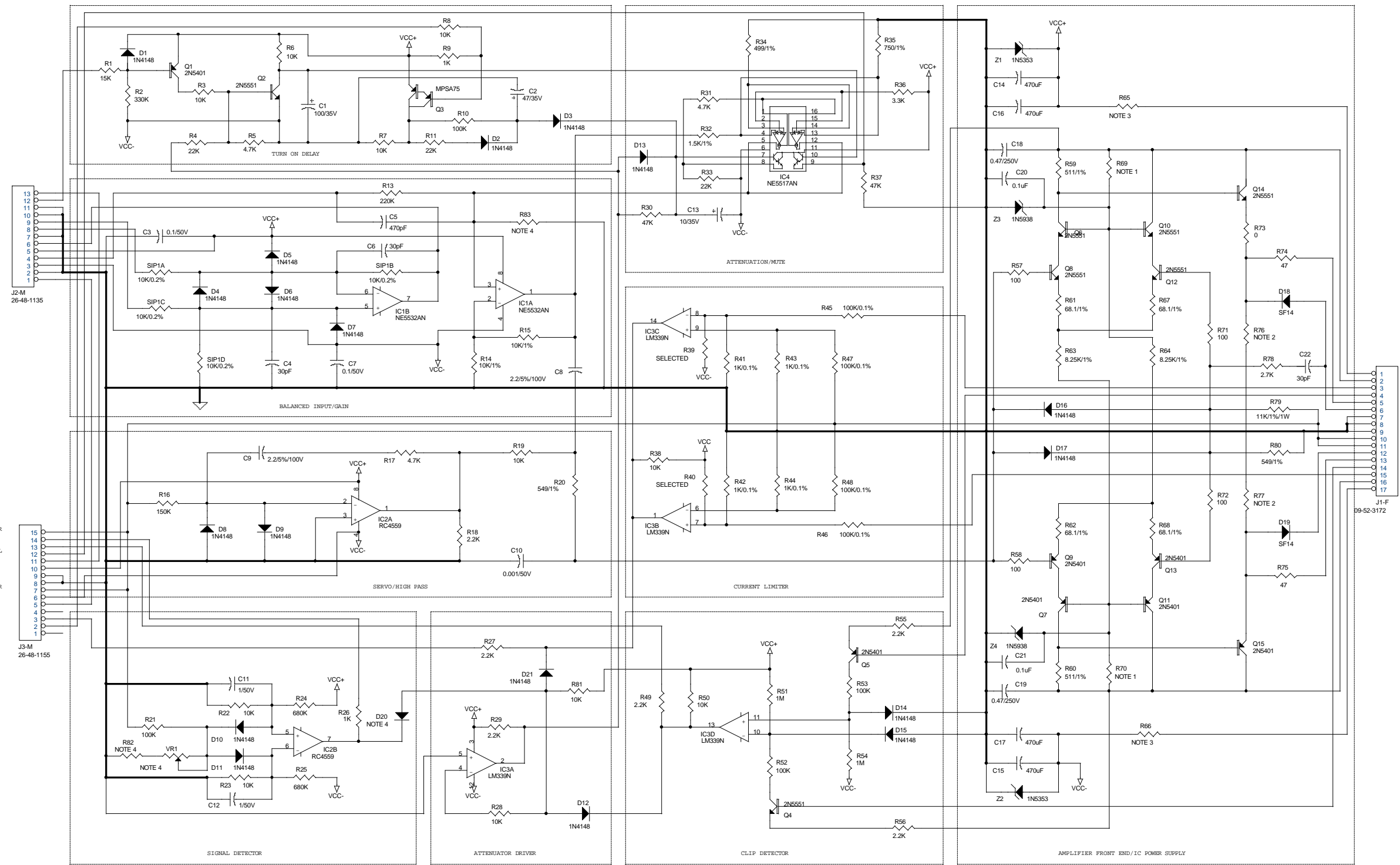
12-14-93

CHANGE R101, R109 FROM 10K TO 4.7K.
 CHANGE R103, R111 FROM 2.2K TO 4.7K.
 CHANGE R107, R115 FROM 3.3K TO 4.7K.
 CHANGE R108, R116 FROM 2.2K TO 1K.
 CHANGE R101, R103 FROM 10K TO 100K.

NOTE 1
 R23, R24 WILL CHANGE TO 1K/1K WITH UL APPROVAL.

44 V. OUT
 SIGNAL CH. A
 CLIP CH. A
 CONTROL V. CH. A
 LIMIT CH. A
 SPKR. RAIL CH. A
 NOTE CH. A
 TEMP SENSOR +
 TEMP SENSOR OUT
 TEMP SENSOR GND
 GROUND
 GROUND
 TRANSFORMER TEMP GND
 TRANSFORMER TEMP

27 V. IN
 SIGNAL CH. B
 CLIP CH. B
 CONTROL V. CH. B
 LIMIT CH. B
 SPKR. RAIL CH. B
 NOTE CH. B
 TEMP SENSOR +
 TEMP SENSOR OUT
 TEMP SENSOR GND
 GROUND
 RELAY GROUND
 RELAY 1,3
 RELAY 2,4



NOTE 1: 8.2K 2W ON MODELS 8001, 7001, CV601
 6.8K 2W ON MODELS 6001, 4801
 4.3K 2W ON MODEL 4601
 5.6K 2W ON MODELS CC301/300
 3.3K 2W ON MODELS CV301, CC151, 3301
 NOTE 2: 27K 2W ON MODELS 8001, 7001, CV601
 20K 2W ON MODELS 6001, 4801, CC301
 16K 2W ON MODEL 4601
 15K 2W ON MODELS CV301, CC151, 3301

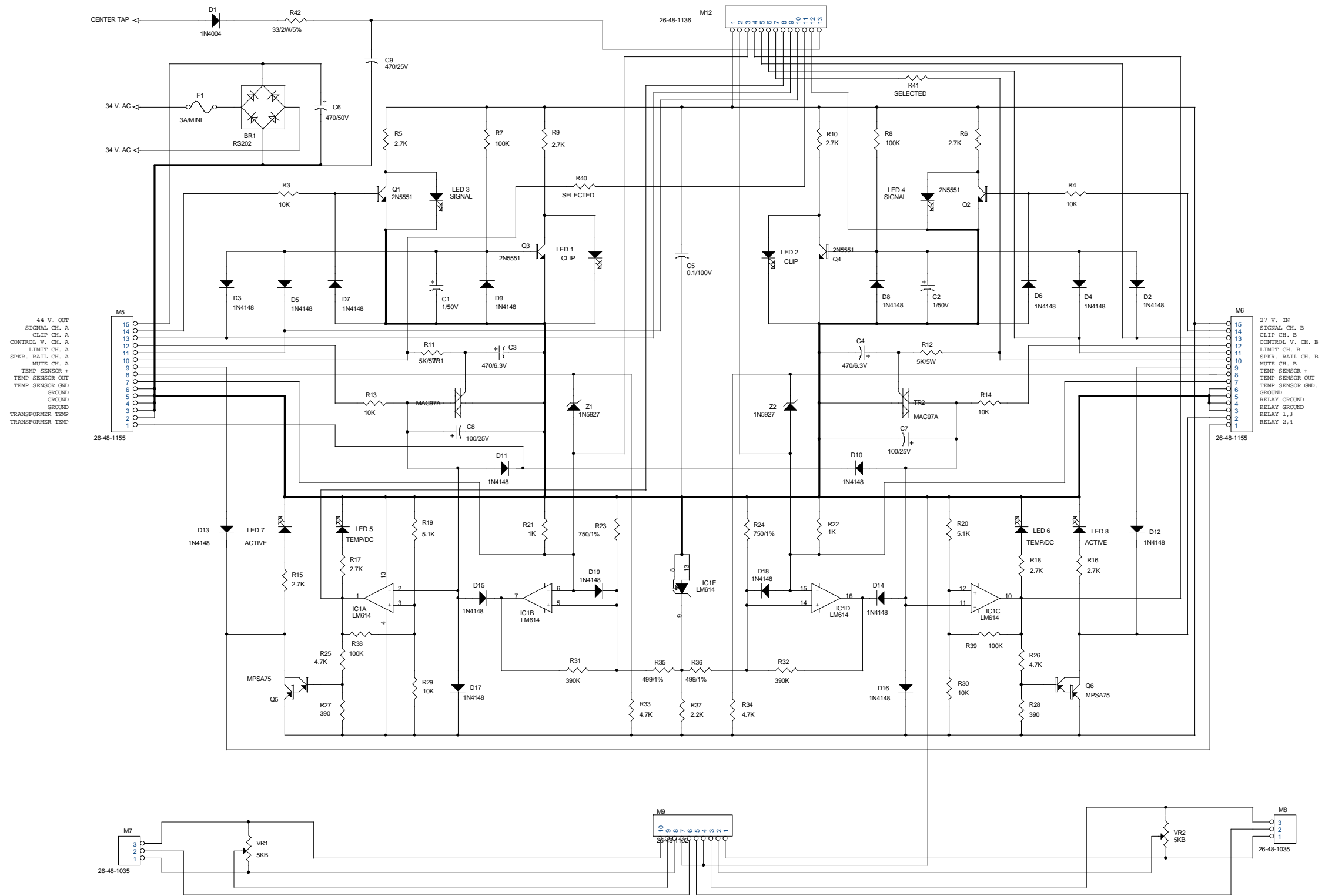
NOTE 3: 750 10W ON MODELS 8001, CV601
 680 10W ON MODEL 7001
 620 10W ON MODEL 6001
 560 10W ON MODELS 4801, MA5850
 1.1K 10W ON MODEL 4601
 560 10W ON MODELS CC301
 1K 10W ON MODELS CV301, 3301
 360 10W ON MODEL CC151

NOTE 4: R82, R83, D20, VR1 ARE USED ON MODEL MA5850 ONLY
 NOTE 5: PRIOR TO 6-2-92 R65, R66 WERE 1K/10W ON MODEL CC151

1.1K 10W ON MODEL 4601
 560 10W ON MODELS CC301
 1K 10W ON MODELS CV301, CC151, 3301
 NOTE 4: R82, R83, D20, VR1 ARE USED ON MODEL MA5850 ONLY

REV NOTES 7/15/93
 (1) DELETE R12

CREST AUDIO INC.		
150 Florence Ave. Hawthorne, NJ 07506		
Title: PRO-LINE PREAMP/FRONT END		
Size: C	Document Number: 21C1124-02	Rev: 02
Date: Wednesday, May 17, 2000	Sheet: 1	of 0



44 V. OUT
 SIGNAL CH. A
 CLIP CH. A
 CONTROL V. CH. A
 LIMIT CH. A
 SPKR. RAIL CH. A
 MUTE CH. A
 TEMP SENSOR +
 TEMP SENSOR -
 TEMP SENSOR GND
 GROUND
 GROUND
 TRANSFORMER TEMP
 TRANSFORMER TEMP

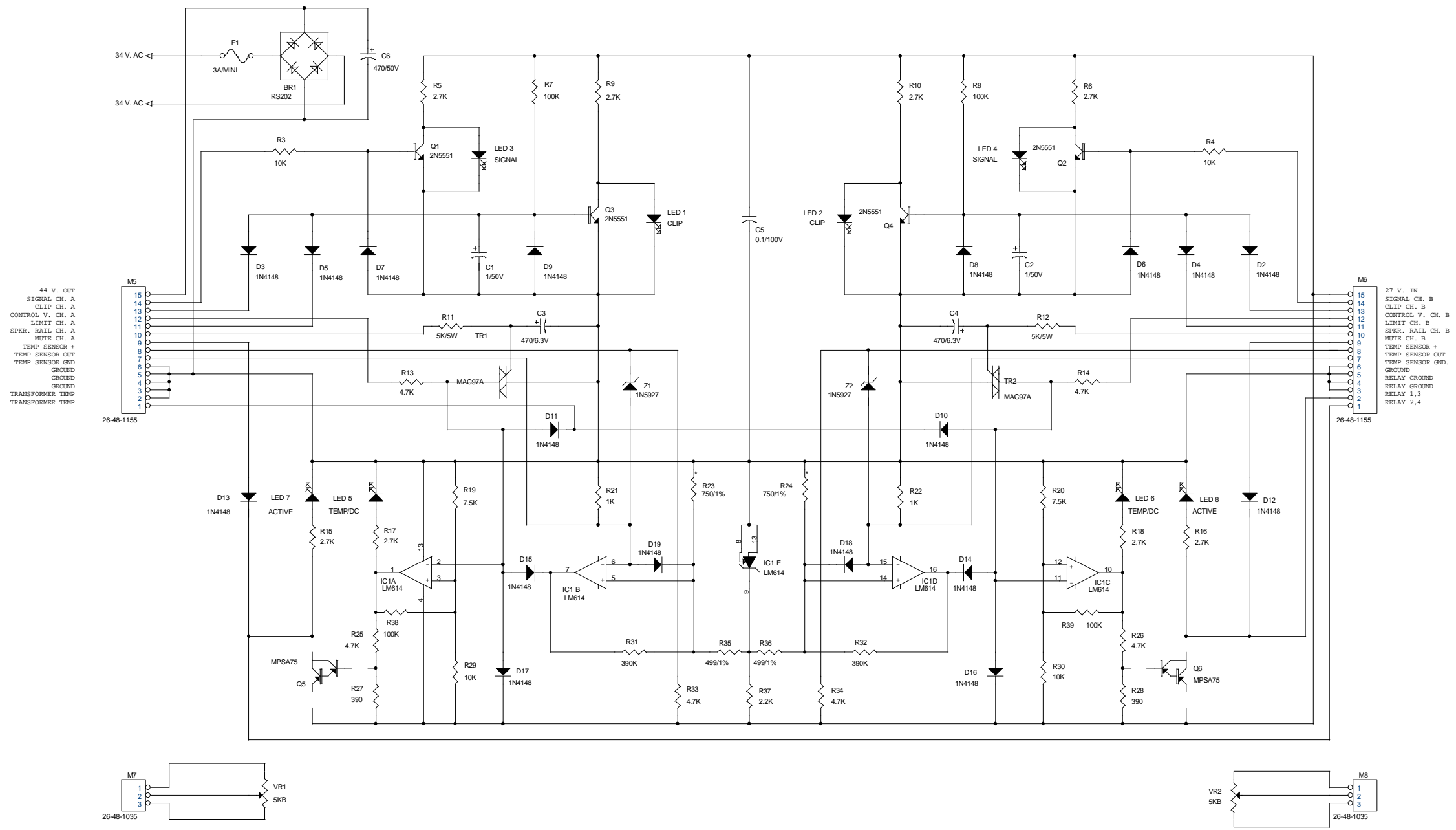
27 V. IN
 SIGNAL CH. B
 CLIP CH. B
 CONTROL V. CH. B
 LIMIT CH. B
 SPKR. RAIL CH. B
 MUTE CH. B
 TEMP SENSOR +
 TEMP SENSOR -
 TEMP SENSOR GND
 GROUND
 RELAY GROUND
 RELAY GROUND
 RELAY 1,3
 RELAY 2,4

R40, R41 RESISTOR VALUES

MODEL	VALUE
3301	41.2K 1/4W/1%
4601	53.6K 1/4W/1%
4801	60.4K 1/4W/1%
6001	73.2K 1/4W/1%
7001	84.5K 1/4W/1%

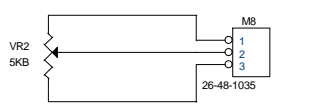
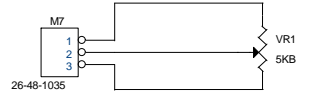
CREST AUDIO INC.
 150 Florence Ave.
 Hawthorne, NJ 07506
 File 7-6-48-46-3301 DISPLAY W/NEXSYS CONTROL

Size C	Document Number 21C1095	Rev 02
Date: Wednesday, May 17, 2000	Sheet 1	of 0

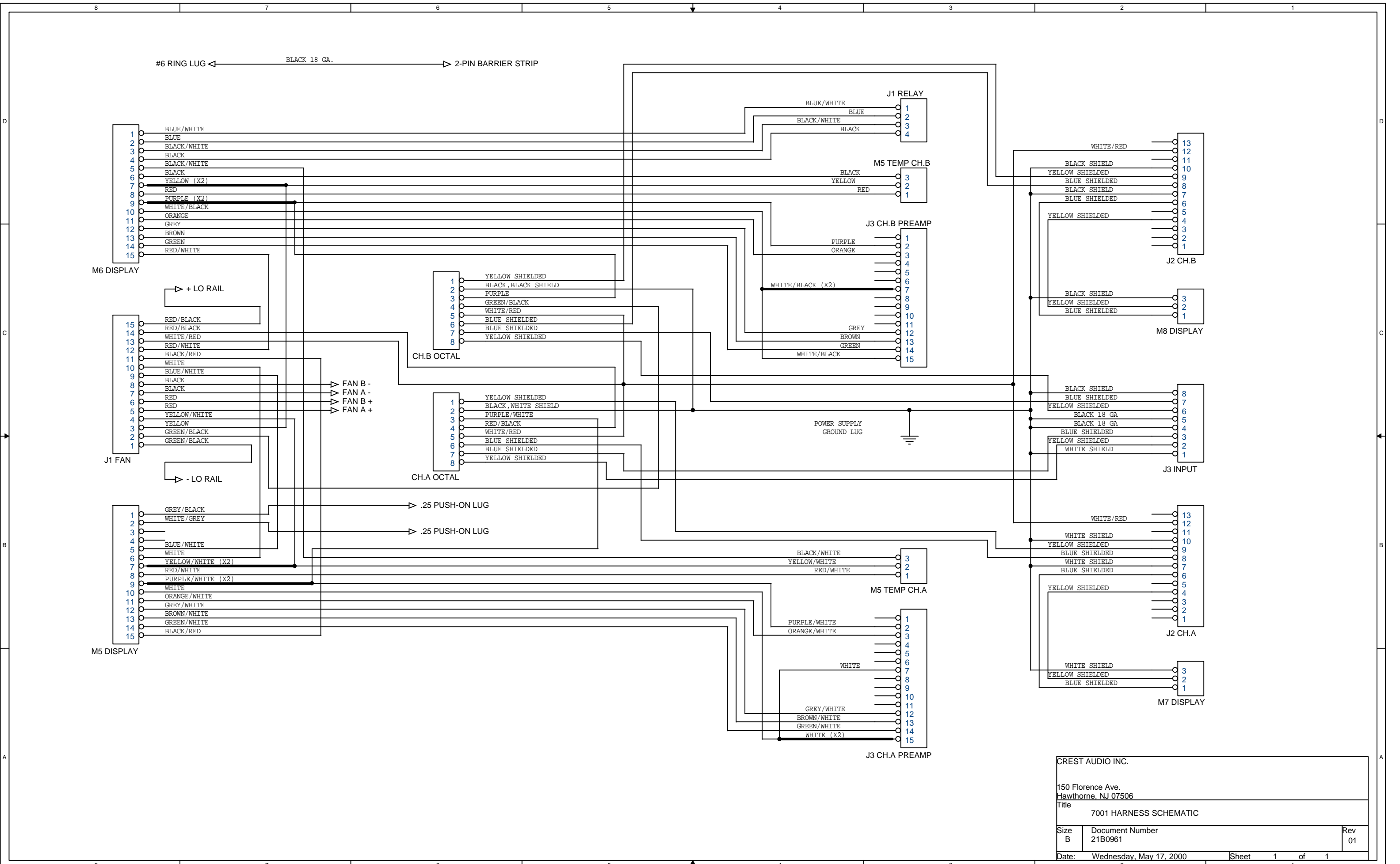


44 V. OUT
 SIGNAL CH. A
 CLIP CH. A
 CONTROL V. CH. A
 LIMIT CH. A
 SPKR. RAIL CH. A
 MUTE CH. A
 TEMP SENSOR +
 TEMP SENSOR GND
 TEMP SENSOR GND
 GROUND
 GROUND
 TRANSFORMER TEMP
 TRANSFORMER TEMP

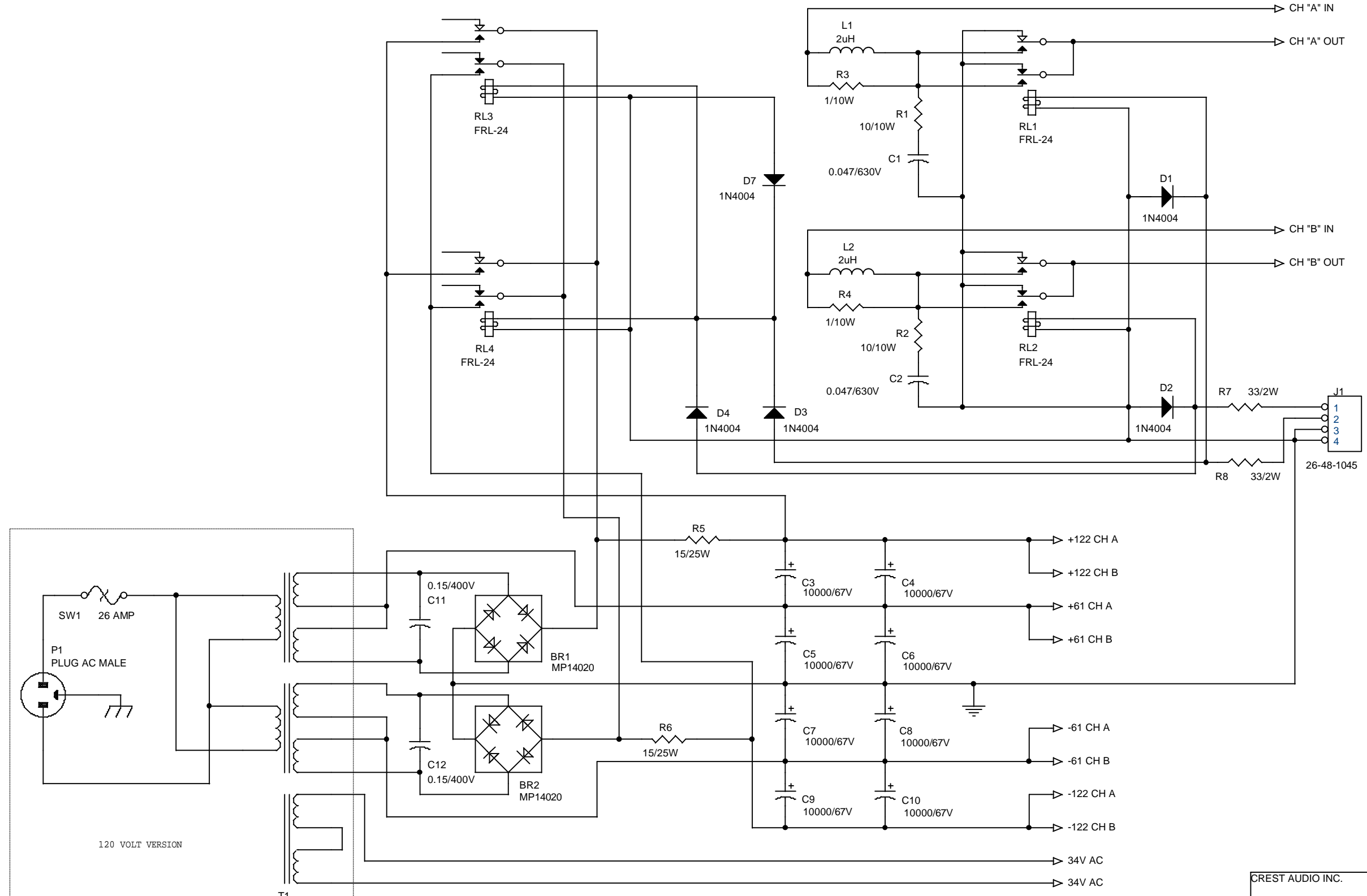
27 V. IN
 SIGNAL CH. B
 CLIP CH. B
 CONTROL V. CH. B
 LIMIT CH. B
 SPKR. RAIL CH. B
 MUTE CH. B
 TEMP SENSOR +
 TEMP SENSOR GND
 TEMP SENSOR GND
 GROUND
 RELAY GROUND
 RELAY GROUND
 RELAY 1,3
 RELAY 2,4



* NOTE
 ON 7001 R23, R24 WILL CHANGE TO 1K/1K WITH UL APPROVAL.

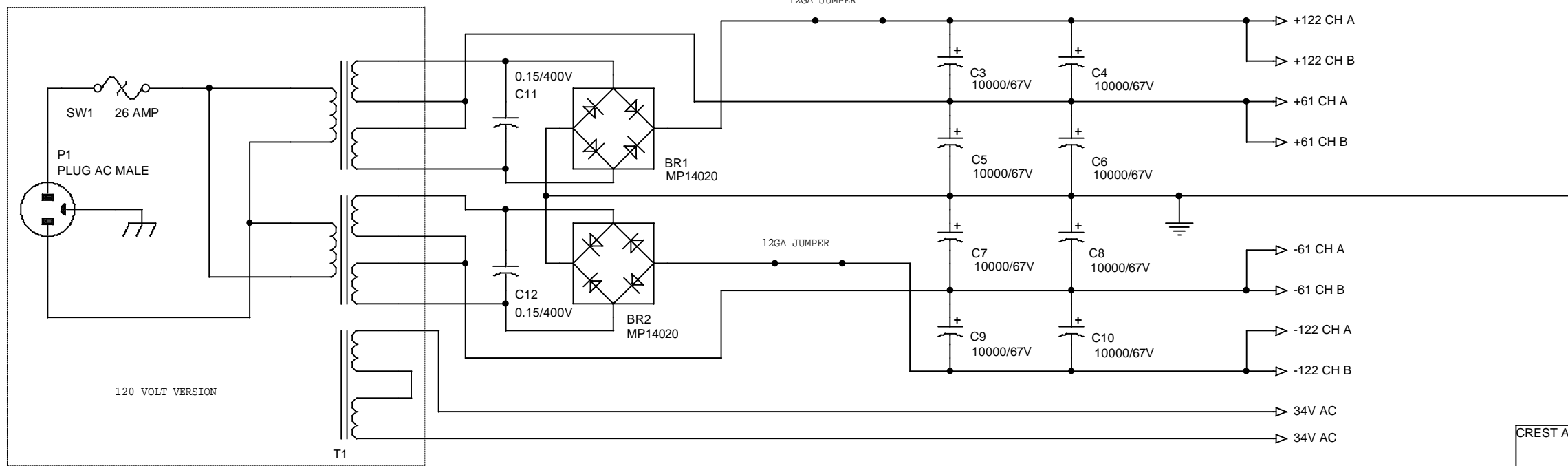
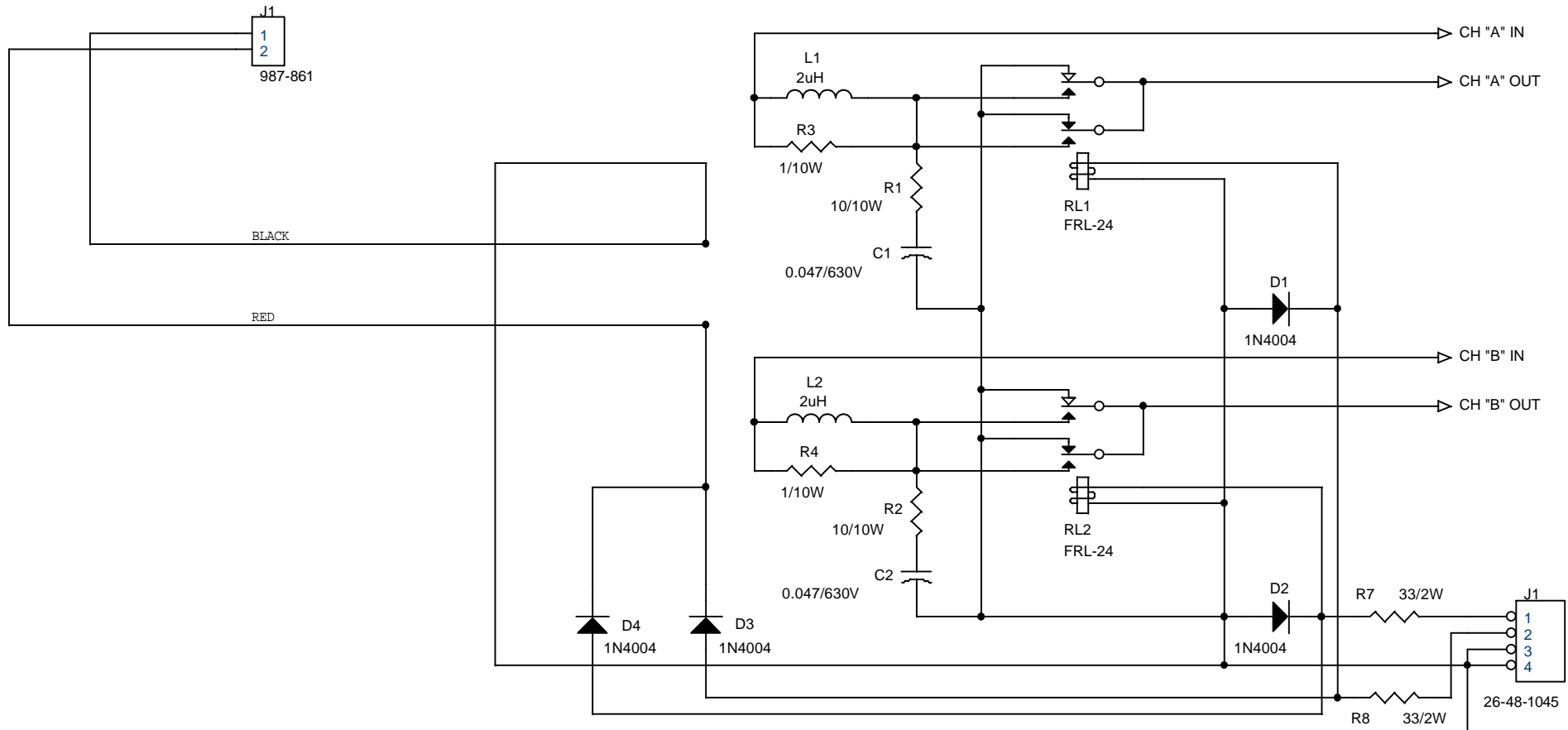


CREST AUDIO INC.
 150 Florence Ave.
 Hawthorne, NJ 07506
 Title
 7001 HARNESS SCHEMATIC
 Size B Document Number 21B0961 Rev 01
 Date: Wednesday, May 17, 2000 Sheet 1 of 1



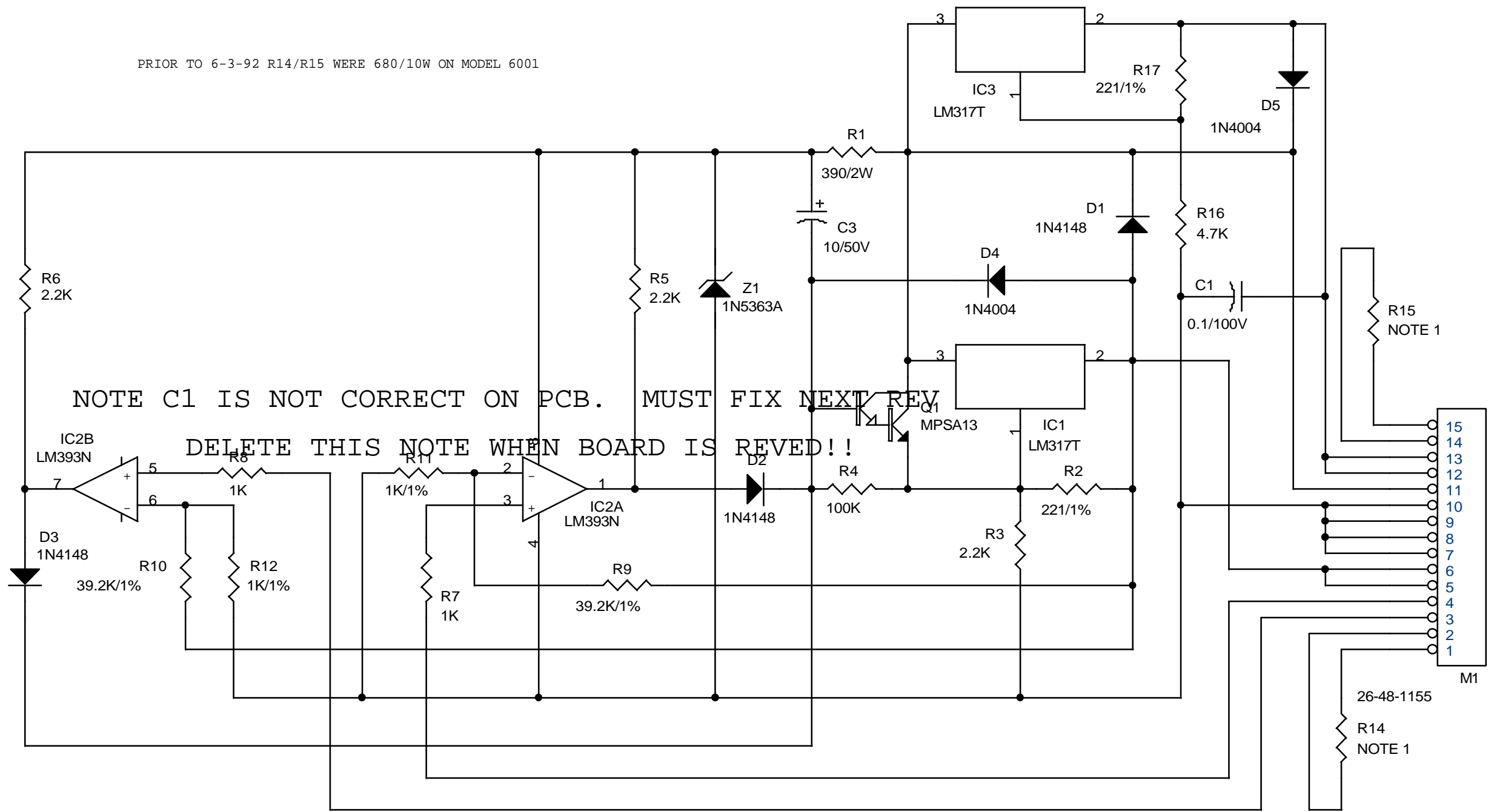
CREST AUDIO INC.
 150 Florence Ave.
 Hawthorne, NJ 07506
 Title
 7001 POWER SUPPLY/RELAY PCB
 Size B Document Number 21B0927-C Rev
 Date: Wednesday, May 17, 2000 Sheet 1 of 1

WIRE HARNESS TO SURGE PCB



CREST AUDIO INC.		
150 Florence Ave. Hawthorne, NJ 07506		
Title 6001/7001 POWER SUPPLY/RELAY PCB		
Size B	Document Number 21B0927-01.REV	Rev 01
Date: Wednesday, May 17, 2000	Sheet 1	of 1

PRIOR TO 6-3-92 R14/R15 WERE 680/10W ON MODEL 6001



NOTE C1 IS NOT CORRECT ON PCB. MUST FIX NEXT REV.
 DELETE THIS NOTE WHEN BOARD IS REVED!!

NOTE 1: 680/10W ON 7001
 620/10W ON 6001
 1K/10W ON 3301
 1.1K/10W ON 4601

CREST AUDIO INC.
 150 Florence Ave.
 Hawthorne, NJ 07506
 Title: 7001/6001/4601/3301 FAN DRIVER

Size	Document Number	Rev
A	21A0952	

Date: Wednesday, May 17, 2000 Sheet 1 of 1