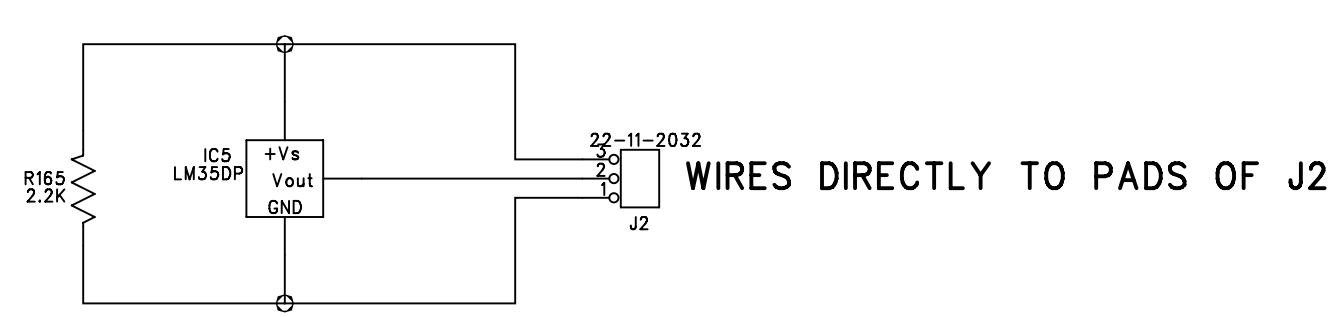
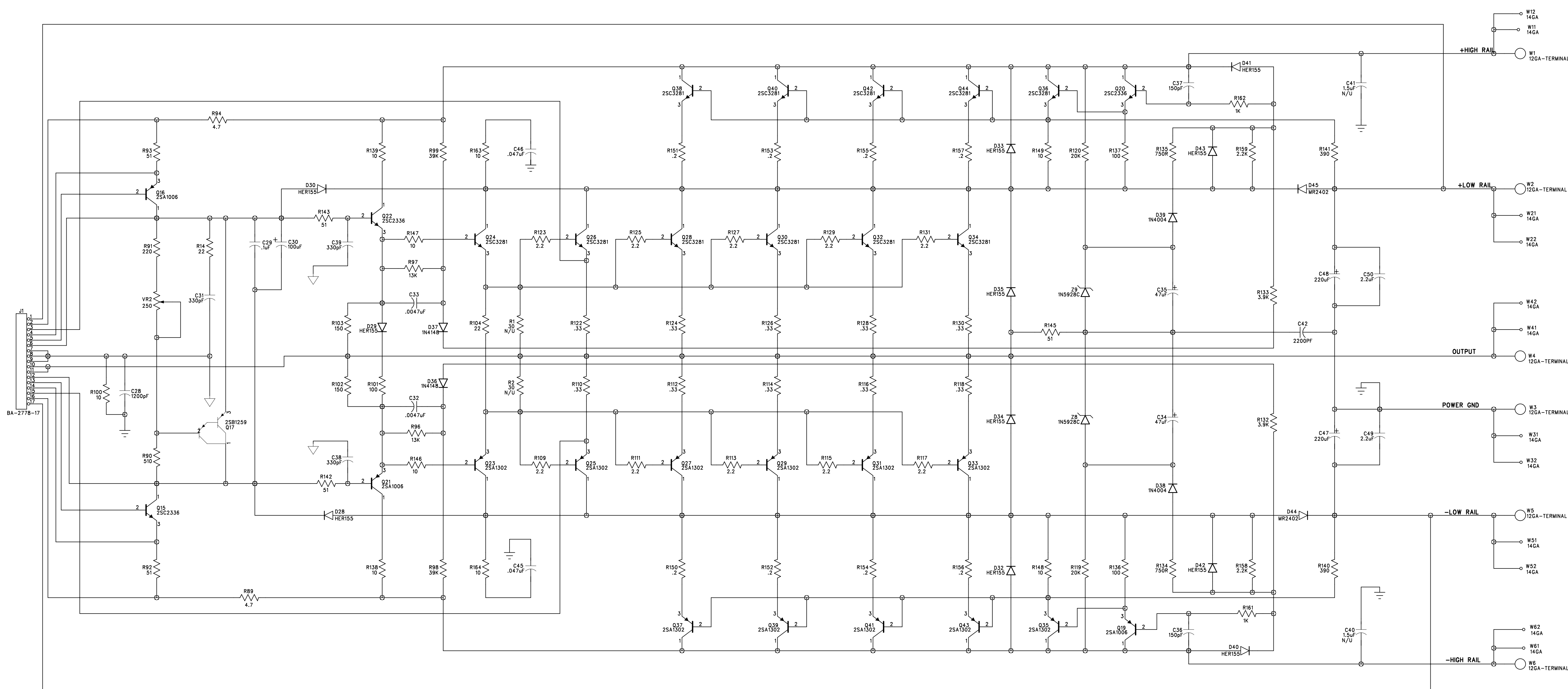


REVISION RECORD			
LTR	ECO NO:	APPROVED:	DATE:



TITLE: CA 12 OUTPUT MODULE

DRAWN:	DATED: 8/15/94	CODE:	SIZE:	DRAWING NO:	REV:
CHECKED:	DATED:	D	21C0858-04	4	4
QUALITY CONTROL:	DATED:				
RELEASED:	DATED:	SCALE:	SHEET:1 OF 2		