

MODEL	1001A	1501A
+36VDC	+46VDC	
-36VDC	-46VDC	

**NOTES**

1. J = JUMPER
2. BUSS ON SPEAKER GROUND
3. F1 MOD. 1001A 2.5A S.B.  
MOD. 1501A 4A M.T.L.
4. C2, C3 MOD. 1001A 12000 40V  
MOD. 1501A 15000 50V
5. MOD. 1001A CONNECT TO T1-YEL  
MOD. 1501A CONNECT TO T1-RED
6. MOD. 1501A T1-BLU 12VAC TO PROT. BD.

**REV**

**DESCRIPTION**

**DATE**



HAWTHORNE, N.J. 07506

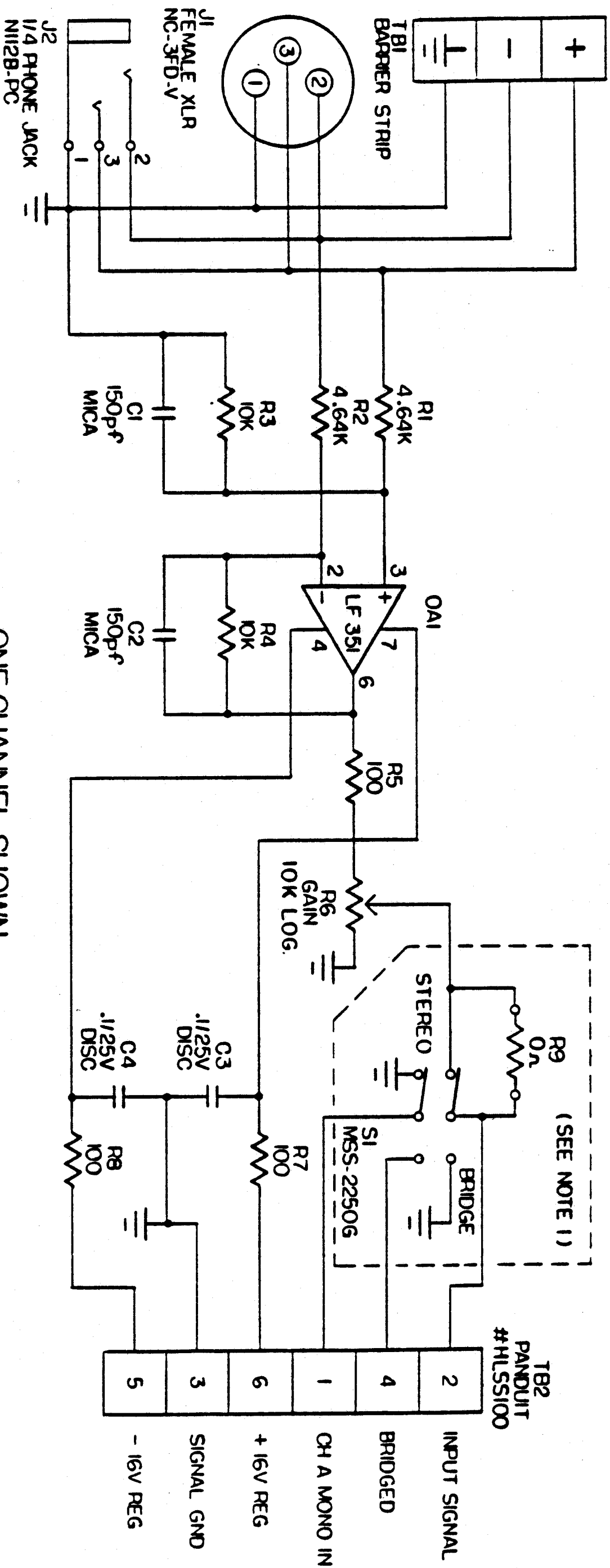
CREST

MODELS 1001A/1501A  
SERIES POWER AMPLIFIERS  
VOLTAGE CONVERSION AND  
POWER SUPPLY 120V  
SCHEMATIC DWG

DWG. No. 2102799

SCALE — DO NOT SCALE DRAWING

OWN. E.N.	DATE: 9/26/85
APP. J.F.	DATE: 10/7/85
TOL.	± 1°
FRAC.	± 1/100
MATL.	
FINISH	



ONE CHANNEL SHOWN

**NOTES:**

- 1) R9 USED ONLY FOR CHANNEL A INSTEAD OF S1
- SI USED ONLY FOR CHANNEL B INSTEAD OF R9
- 2) RESISTORS 1/4W, 1% UNLESS SPECIFIED

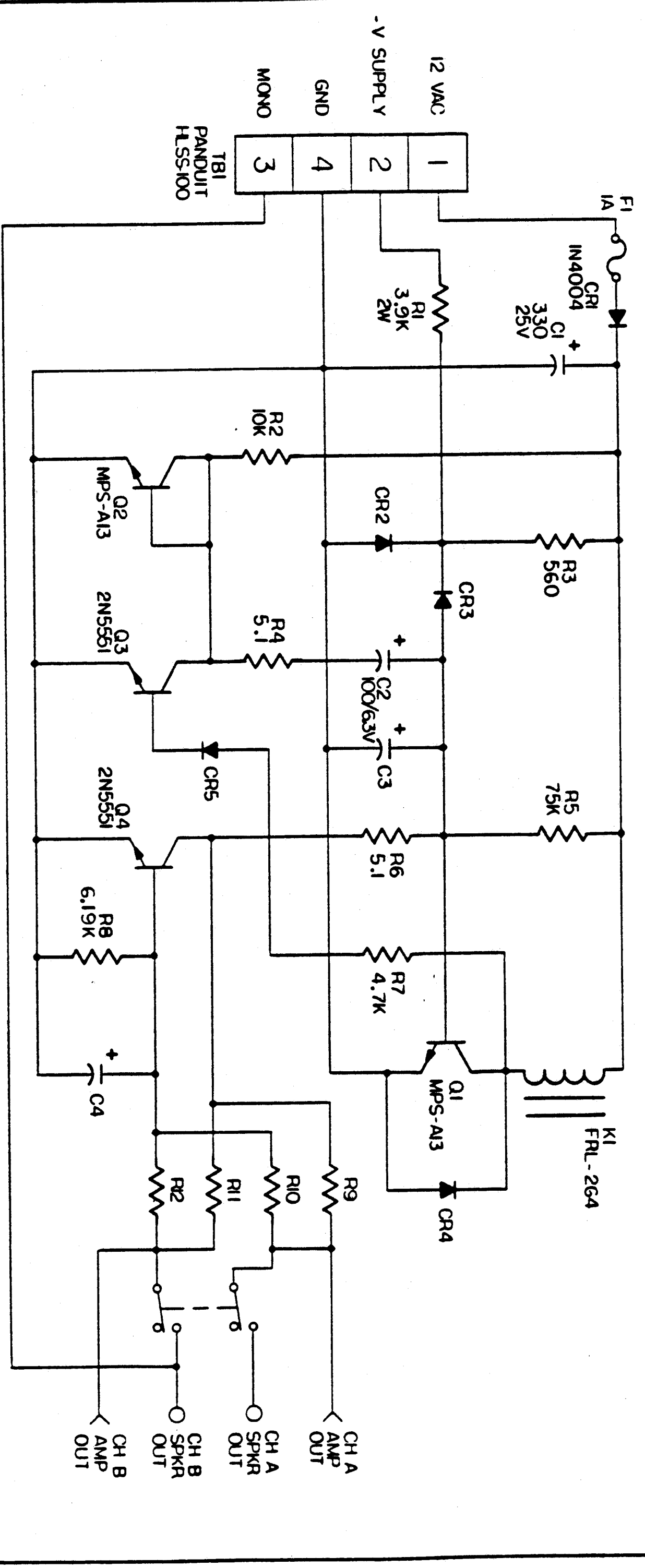
REV	DESCRIPTION	DATE
01	REDESIGN	8/2/84

OWN:	JJD	DATE:	8/2/84
APP:	J.F.	DATE:	8/15/84
TOL:	02	±	1%
REV:	01	FRAC:	1/64

CREST:  
**POWER AMPLIFIERS**  
**MODEL'S 1001A/1501A SERIES**  
**INPUT P.C.B.**

FINISH:	
SCALE: ---	DO NOT SCALE DRAWING
REV: 01	
DWG NO: 2102726	

**CREST AUDIO**  
 HAWTHORNE, N.J. 07506



**NOTES:**

- 1) CAPACITOR VALUES IN MFD UNLESS SPECIFIED  
C3, C4 ARE 330/25V
- 2) DIODES IN4148 UNLESS SPEC'F'D
- 3) RESISTORS 1/4W 5% UNLESS SPEC'F'D  
R9-12 ARE 47K

LAST USED	REF DES	REV	DESCRIPTION	DATE
USED	NOT USED	01	C3,4 FROM 100/63 TO 330/25	2/13/85
C4				
CR5				
F1				
K1				
RI2				
TBI				
Q4				

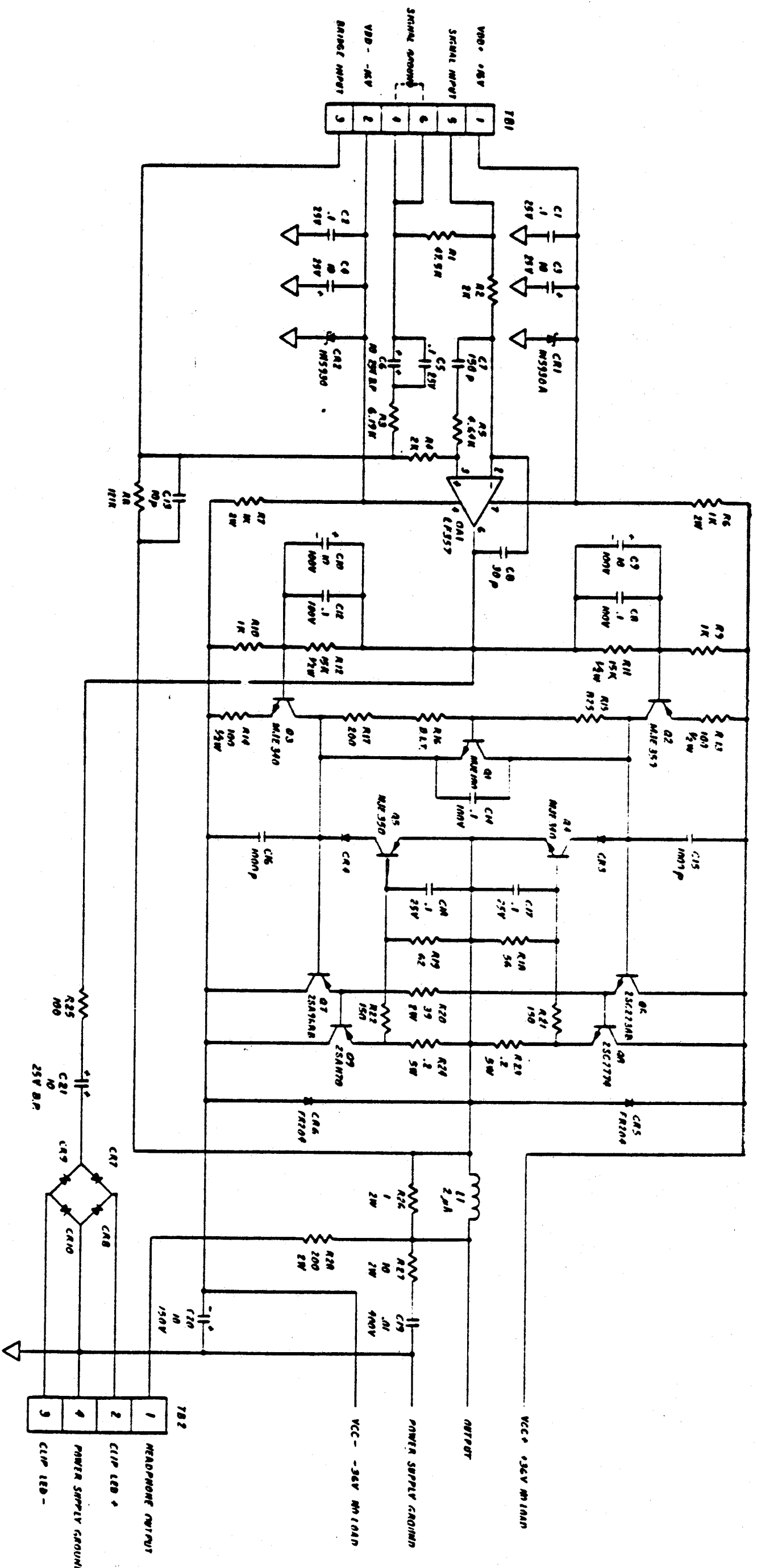
**CREST AUDIO**  
HAWTHORNE, N.J. 07506

OWN: JJD DATE: 8/10/84  
 APP: T.F. DATE: 8/15/84  
 TOL: ±.02 ±.1°  
 REE: .01 FRACT: 1/64

PROJECT P.C.B.  
 SERIES  
 POWER AMPLIFIERS  
 MODEL'S 1501A

SCHEMATIC  
 DWG NO: 2102727  
 REV: C1

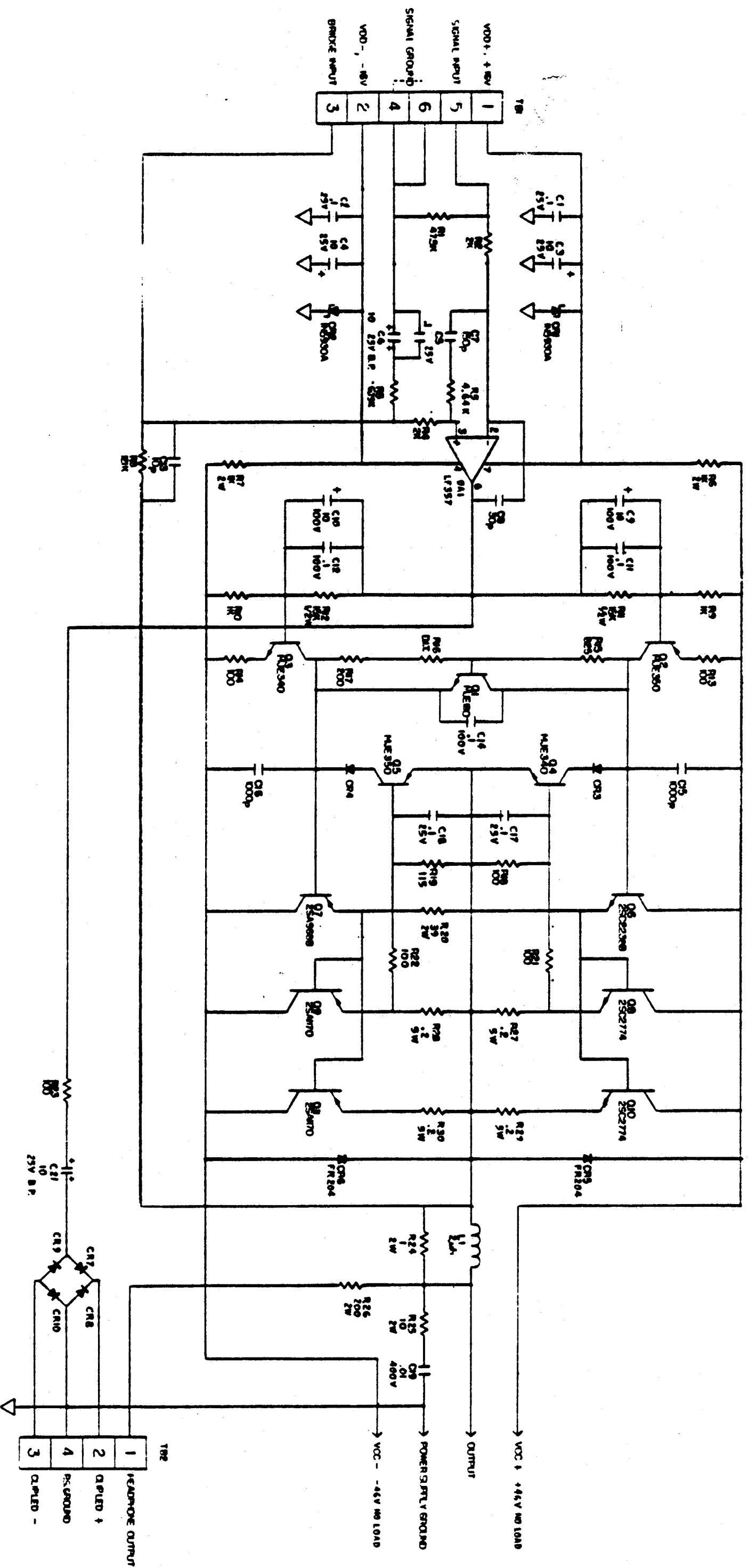
SCALE: --- DO NOT SCALE DRAWING



COMP. NOT INSTALLED BY	LAST REF. DESIG.	NOT USED	NOTES	REV	DESCRIPTION	DATE
OUTSIDE WINDOW	USED	NOT USED	1. UNLESS SPECIFIED OTHERWISE - CAPACITORS ARE IN PFD P = PICOFARAD - DIODES ARE M4148 - RESISTORS ARE 1/4 W 1% 2. Q1, Q6-Q9 MOUNTED ON MAIN HEATSINK			

COMP. NOT INSTALLED BY	LAST REF. DESIG.	NOT USED	NOTES	REV	DESCRIPTION	DATE
OUTSIDE WINDOW	USED	NOT USED	1. UNLESS SPECIFIED OTHERWISE - CAPACITORS ARE IN PFD P = PICOFARAD - DIODES ARE M4148 - RESISTORS ARE 1/4 W 1% 2. Q1, Q6-Q9 MOUNTED ON MAIN HEATSINK			

**CREST AUDIO**  
 MOKI 1001A  
 POWER AMPLIFIER  
 HEATSINK MODULE  
 SCHEMATIC DWG  
 2104806



COMP. NOT INSTALLED BY	LAST REF DES.	NOTES	REV DESCRIPTION	DATE
OUTSIDE VENDOR		IF GAGE VALUE IN PARADIGM SPECIFIED BY PROFORMA DIMENSIONS UNLESS NOTED DIMENSIONS IN INCHES DIMENSIONS IN MILLIMETERS		

REV	DESCRIPTION	DATE
1	INITIAL RELEASE	11/11/83
2	REVISION	11/11/83
3	REVISION	11/11/83
4	REVISION	11/11/83
5	REVISION	11/11/83
6	REVISION	11/11/83
7	REVISION	11/11/83
8	REVISION	11/11/83
9	REVISION	11/11/83
10	REVISION	11/11/83
11	REVISION	11/11/83
12	REVISION	11/11/83
13	REVISION	11/11/83
14	REVISION	11/11/83
15	REVISION	11/11/83
16	REVISION	11/11/83
17	REVISION	11/11/83
18	REVISION	11/11/83
19	REVISION	11/11/83
20	REVISION	11/11/83
21	REVISION	11/11/83
22	REVISION	11/11/83
23	REVISION	11/11/83
24	REVISION	11/11/83
25	REVISION	11/11/83
26	REVISION	11/11/83
27	REVISION	11/11/83
28	REVISION	11/11/83
29	REVISION	11/11/83
30	REVISION	11/11/83
31	REVISION	11/11/83
32	REVISION	11/11/83
33	REVISION	11/11/83
34	REVISION	11/11/83
35	REVISION	11/11/83
36	REVISION	11/11/83
37	REVISION	11/11/83
38	REVISION	11/11/83
39	REVISION	11/11/83
40	REVISION	11/11/83
41	REVISION	11/11/83
42	REVISION	11/11/83
43	REVISION	11/11/83
44	REVISION	11/11/83
45	REVISION	11/11/83
46	REVISION	11/11/83
47	REVISION	11/11/83
48	REVISION	11/11/83
49	REVISION	11/11/83
50	REVISION	11/11/83
51	REVISION	11/11/83
52	REVISION	11/11/83
53	REVISION	11/11/83
54	REVISION	11/11/83
55	REVISION	11/11/83
56	REVISION	11/11/83
57	REVISION	11/11/83
58	REVISION	11/11/83
59	REVISION	11/11/83
60	REVISION	11/11/83
61	REVISION	11/11/83
62	REVISION	11/11/83
63	REVISION	11/11/83
64	REVISION	11/11/83
65	REVISION	11/11/83
66	REVISION	11/11/83
67	REVISION	11/11/83
68	REVISION	11/11/83
69	REVISION	11/11/83
70	REVISION	11/11/83
71	REVISION	11/11/83
72	REVISION	11/11/83
73	REVISION	11/11/83
74	REVISION	11/11/83
75	REVISION	11/11/83
76	REVISION	11/11/83
77	REVISION	11/11/83
78	REVISION	11/11/83
79	REVISION	11/11/83
80	REVISION	11/11/83
81	REVISION	11/11/83
82	REVISION	11/11/83
83	REVISION	11/11/83
84	REVISION	11/11/83
85	REVISION	11/11/83
86	REVISION	11/11/83
87	REVISION	11/11/83
88	REVISION	11/11/83
89	REVISION	11/11/83
90	REVISION	11/11/83
91	REVISION	11/11/83
92	REVISION	11/11/83
93	REVISION	11/11/83
94	REVISION	11/11/83
95	REVISION	11/11/83
96	REVISION	11/11/83
97	REVISION	11/11/83
98	REVISION	11/11/83
99	REVISION	11/11/83
100	REVISION	11/11/83

**CREST AUDIO**  
 MODEL 1501A SET  
 POWER AMPLIFIER  
 HEAT SINK MODUL  
 SCHEMATIC DWG  
 2104609