

12-14-93

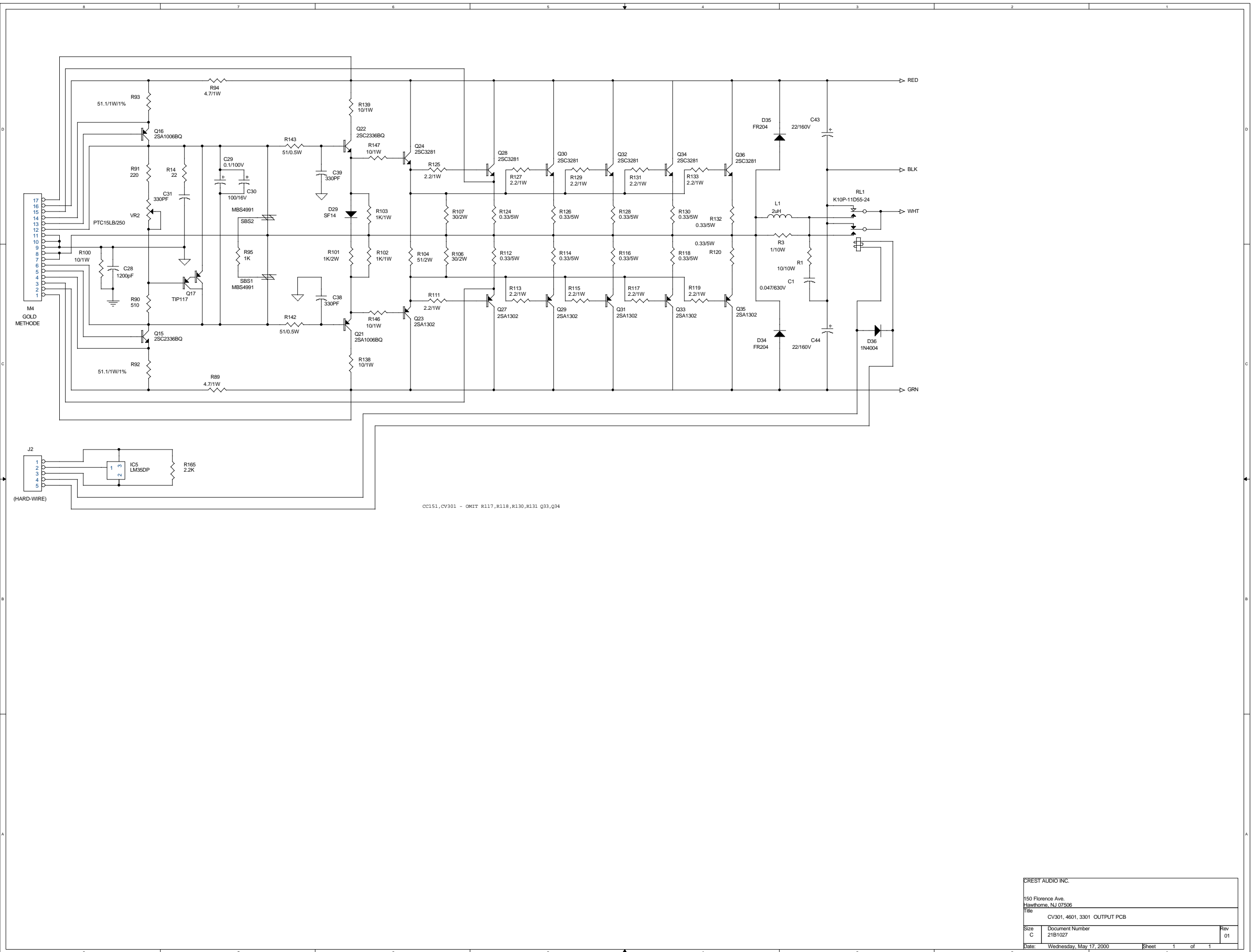
CHANGE R101, R109 FROM 10K TO 4.7K.
 CHANGE R103, R111 FROM 2.2K TO 3.3K.
 CHANGE R107, R115 FROM 3.3K TO 4.7K.
 CHANGE R108, R116 FROM 2.2K TO 3.3K.
 CHANGE R101, R102 FROM 10K TO 100K.

NOTE 1

R23, R24 WILL CHANGE TO 1K/1K WITH ILL APPROVAL.

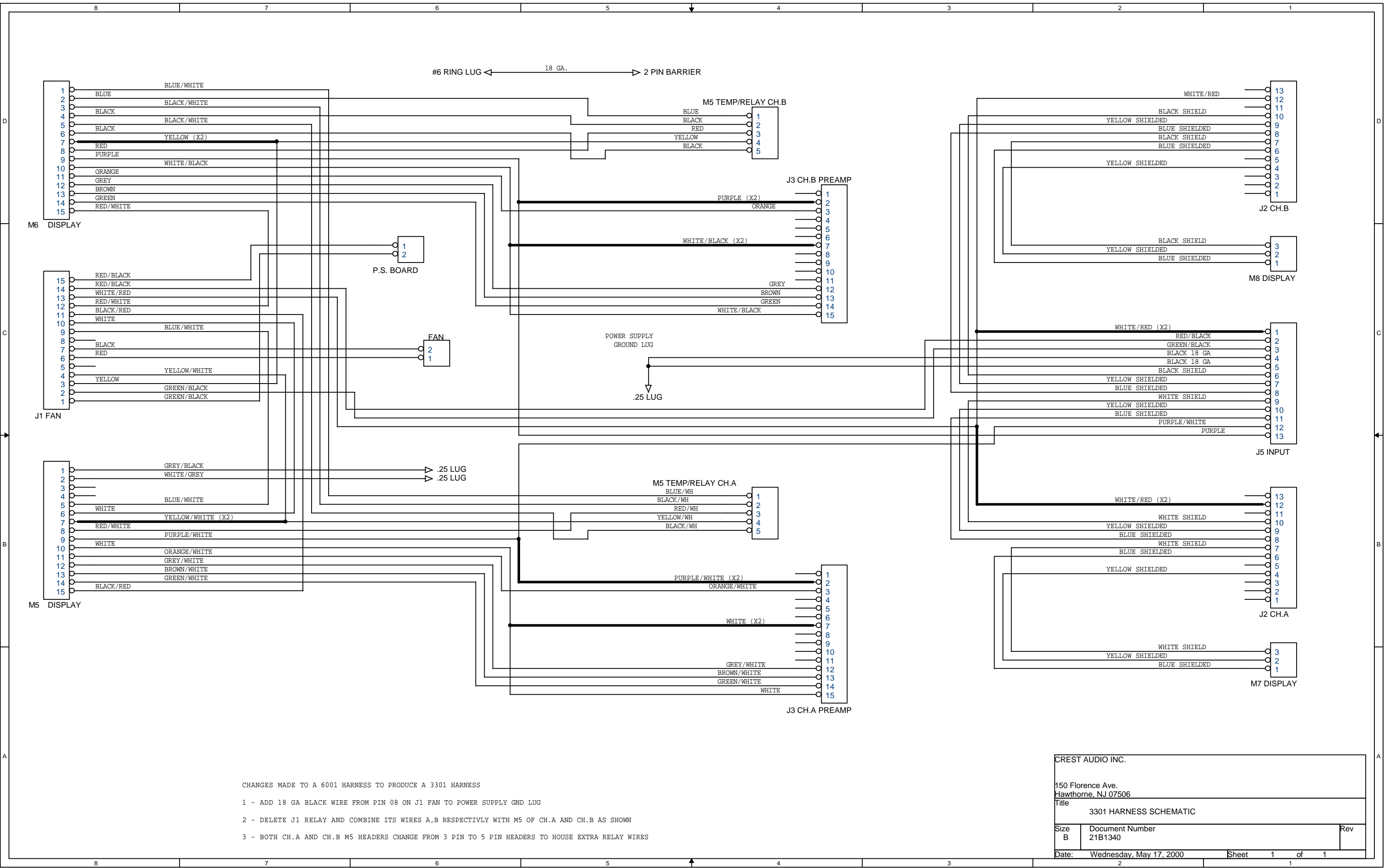
34 V. AC
 34 V. AC
 34 V. OUT
 SIGNAL CH. A
 CLIP CH. A
 CONTROL V. CH. A
 LIMIT CH. A
 SWR. BALD CH. A
 MUTE CH. A
 TEMP SENSOR +
 TEMP SENSOR -
 TEMP SENSOR GND
 GROUND
 TRANSFORMER TEMP GND
 TRANSFORMER TEMP

27 V. CH
 SIGNAL CH. B
 CLIP CH. B
 CONTROL V. CH. B
 LIMIT CH. B
 SWR. BALD CH. B
 MUTE CH. B
 TEMP SENSOR +
 TEMP SENSOR -
 TEMP SENSOR GND
 GROUND
 RELAY GROUND
 RELAY 1, 2
 RELAY 3, 4



CC151, CV301 - OMIT R117, R118, R130, R131 Q33, Q34

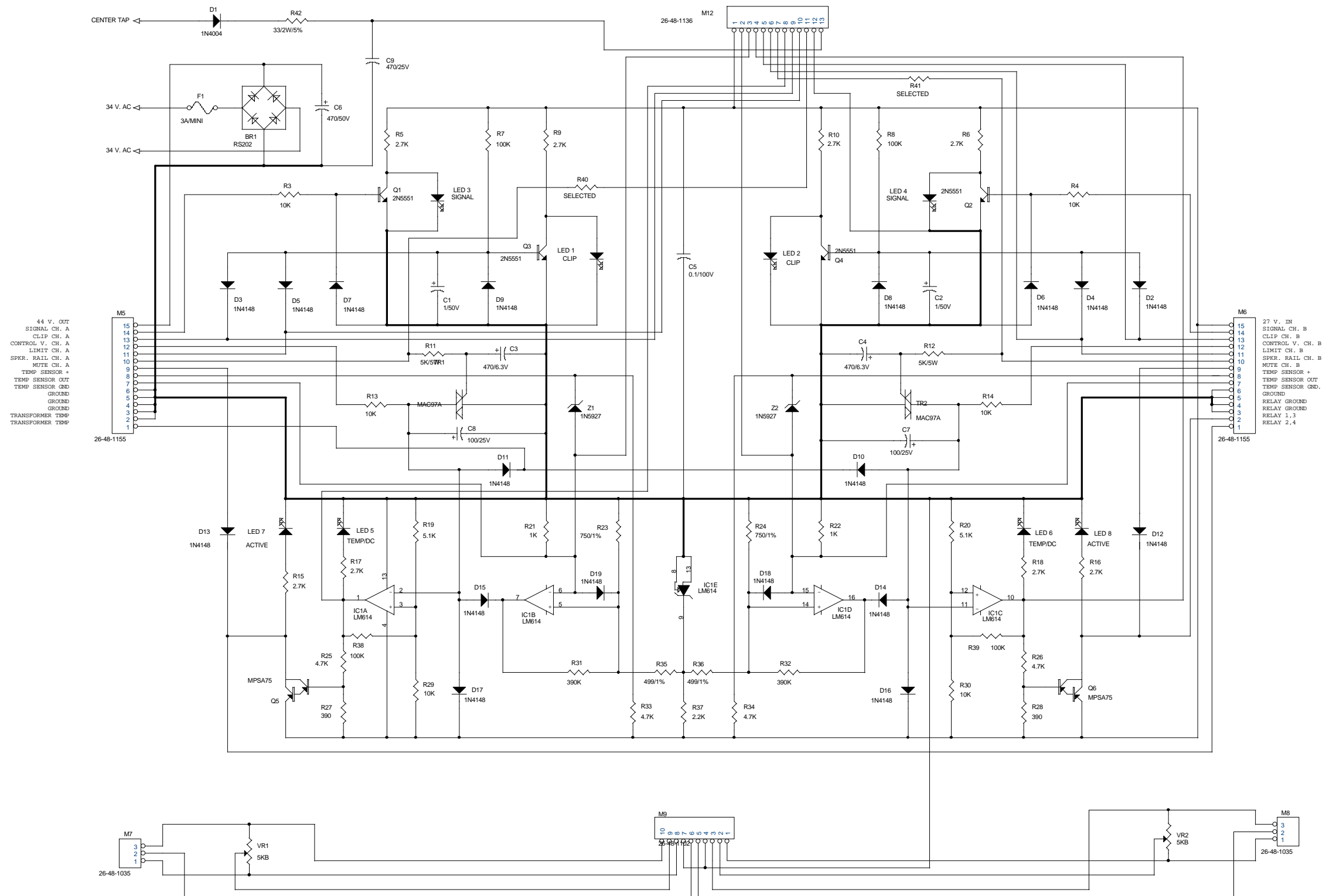
CREST AUDIO INC.		
150 Florence Ave. Hawthorne, NJ 07506		
Title CV301, 4601, 3301 OUTPUT PCB		
Size C	Document Number 21B1027	Rev 01
Date: Wednesday, May 17, 2000	Sheet 1	of 1



CHANGES MADE TO A 6001 HARNESS TO PRODUCE A 3301 HARNESS

- 1 - ADD 18 GA BLACK WIRE FROM PIN 08 ON J1 FAN TO POWER SUPPLY GND LUG
- 2 - DELETE J1 RELAY AND COMBINE ITS WIRES A,B RESPECTIVLY WITH M5 OF CH.A AND CH.B AS SHOWN
- 3 - BOTH CH.A AND CH.B M5 HEADERS CHANGE FROM 3 PIN TO 5 PIN HEADERS TO HOUSE EXTRA RELAY WIRES

CREST AUDIO INC.		
150 Florence Ave. Hawthorne, NJ 07506		
Title 3301 HARNESS SCHEMATIC		
Size B	Document Number 21B1340	Rev
Date: Wednesday, May 17, 2000	Sheet 1	of 1



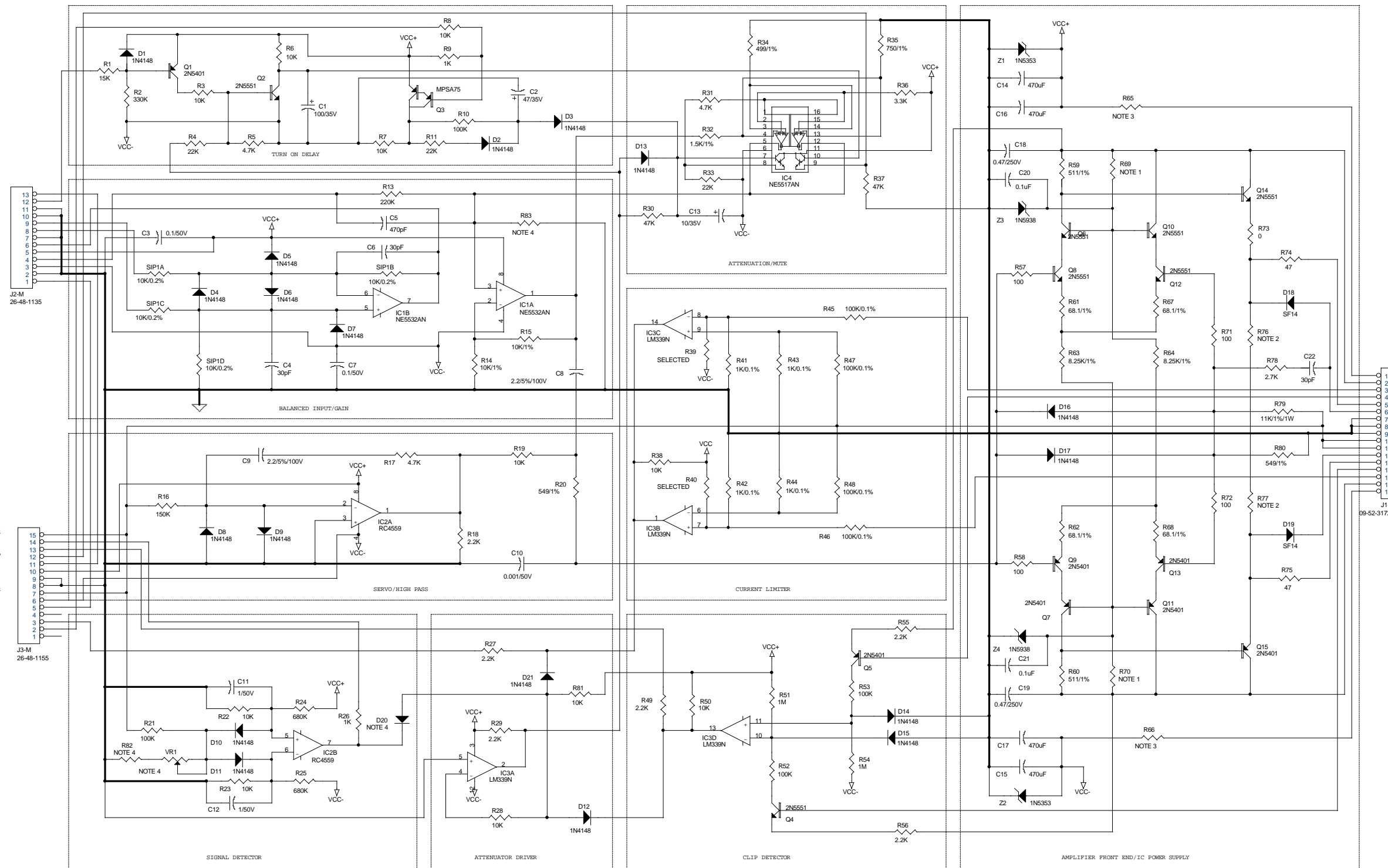
44 V. OUT
 SIGNAL CH. A
 CLIP CH. A
 CONTROL V. CH. A
 LIMIT CH. A
 SPKR. RAIL CH. A
 MUTE CH. A
 TEMP SENSOR +
 TEMP SENSOR OUT
 TEMP SENSOR GND
 GROUND
 GROUND
 TRANSFORMER TEMP
 TRANSFORMER TEMP

27 V. IN
 SIGNAL CH. B
 CLIP CH. B
 CONTROL V. CH. B
 LIMIT CH. B
 SPKR. RAIL CH. B
 MUTE CH. B
 TEMP SENSOR +
 TEMP SENSOR OUT
 TEMP SENSOR GND.
 GROUND
 RELAY GROUND
 RELAY GROUND
 RELAY 1,3
 RELAY 2,4

R40, R41 RESISTOR VALUES

MODEL	VALUE
3301	41.2K 1/4W/1%
4601	53.6K 1/4W/1%
4801	60.4K 1/4W/1%
6001	73.2K 1/4W/1%
7001	84.5K 1/4W/1%

CREST AUDIO INC.
 150 Florence Ave.
 Hawthorne, NJ 07506
 Title 7-6-48-46-3301 DISPLAY WINEXSYS CONTROL
 Size C Document Number 21C1095 Rev 02
 Date: Wednesday, May 17, 2000 Sheet 1 of 0



NOTE 1: 8.2K 2W ON MODELS 8001, 7001, CV601
 6.8K 2W ON MODELS 6001, 4801
 4.3K 2W ON MODEL 4601
 5.6K 2W ON MODELS CC301/300
 3.3K 2W ON MODELS CV301, CC151, 3301
 NOTE 2: 27K 2W ON MODELS 8001, 7001, CV601
 20K 2W ON MODELS 6001, 4801, CC301
 16K 2W ON MODEL 4601
 15K 2W ON MODELS CV301, CC151, 3301

NOTE 3: 750 10W ON MODELS 8001, CV601
 680 10W ON MODEL 7001
 620 10W ON MODEL 6001
 560 10W ON MODELS 4801, MA5850
 1.1K 10W ON MODEL 4601
 560 10W ON MODELS CC301
 1K 10W ON MODELS CV301, 3301
 360 10W ON MODEL CC151

NOTE 4: R82, R83, D20, VR1 ARE USED ON MODEL MA5850 ONLY
 NOTE 5: PRIOR TO 6-2-92 R65, R66 WERE 1K/10W ON MODEL CC151

1.1K 10W ON MODEL 4601
 560 10W ON MODELS CC301
 1K 10W ON MODELS CV301, CC151, 3301
 NOTE 4: R82, R83, D20, VR1 ARE USED ON MODEL MA5850 ONLY

REV NOTES 7/15/93
 (1) DELETE R12

CREST AUDIO INC.		
150 Florence Ave. Hawthorne, NJ 07506		
Title PRO-LINE PREAMP/FRONT END		
Size C	Document Number 21C1124-02	Rev 02
Date Wednesday, May 17, 2000	Sheet 1	of 0