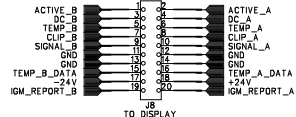
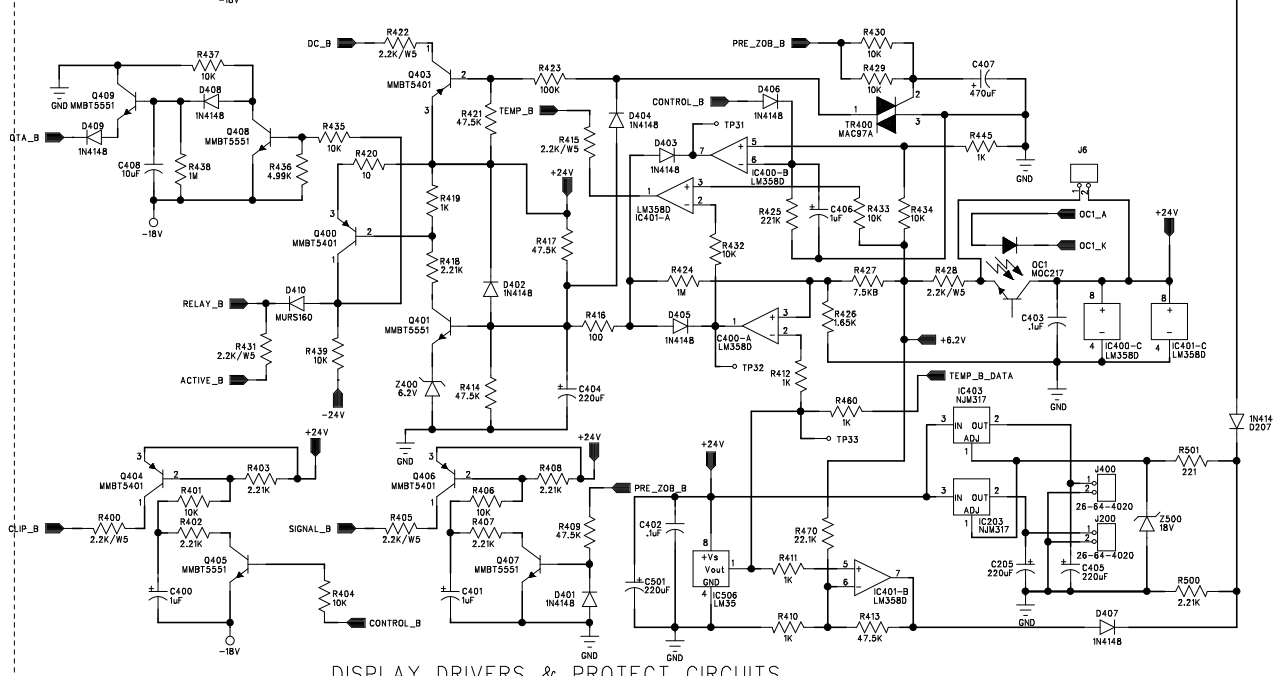
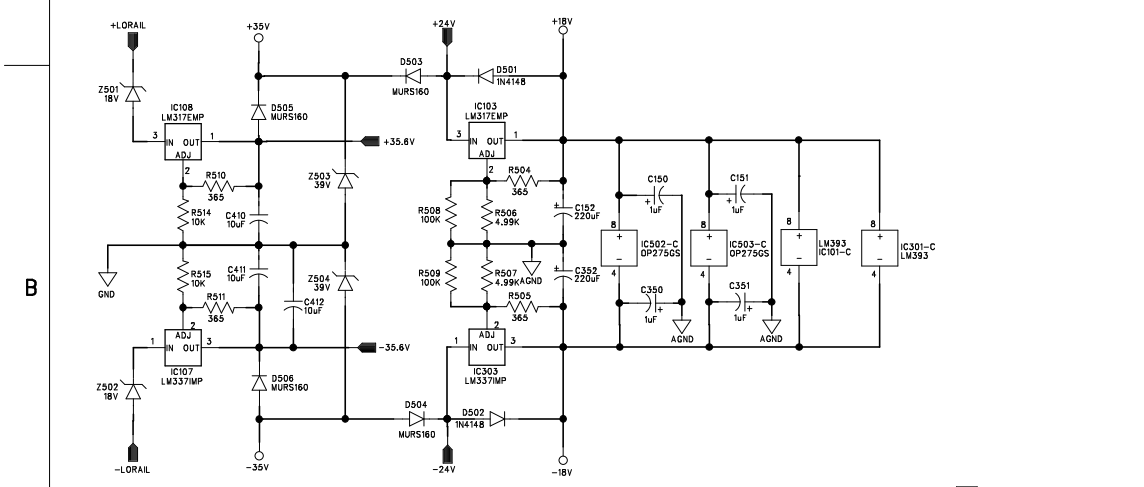
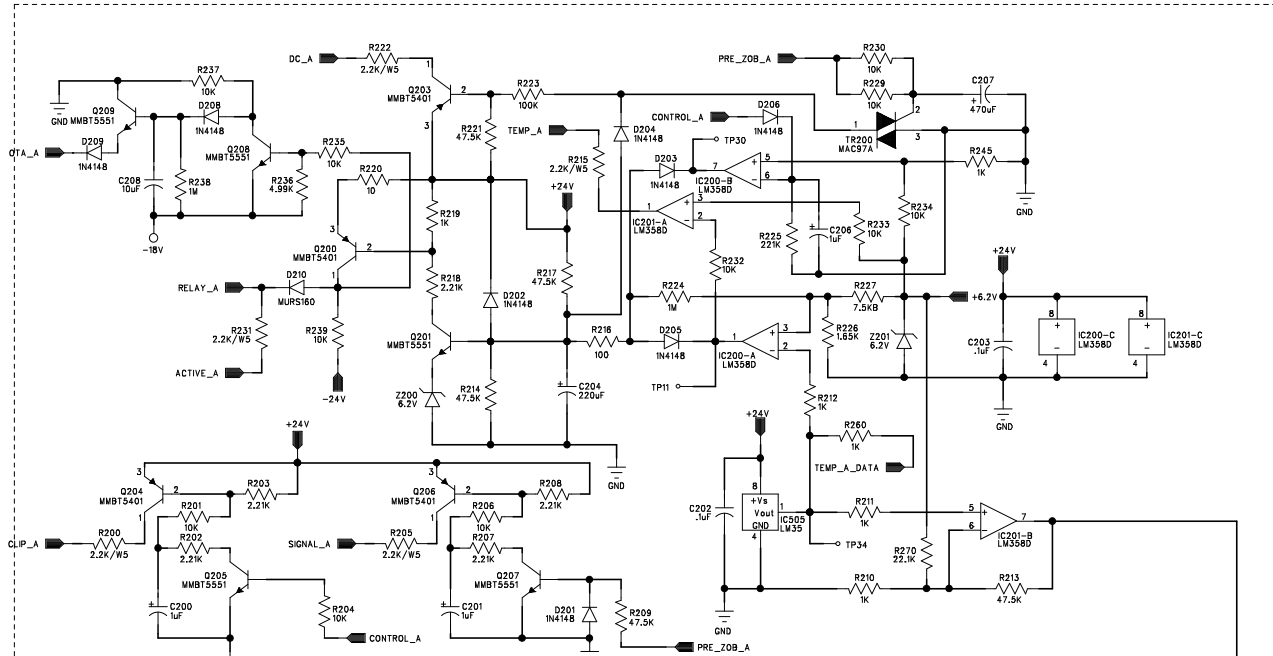
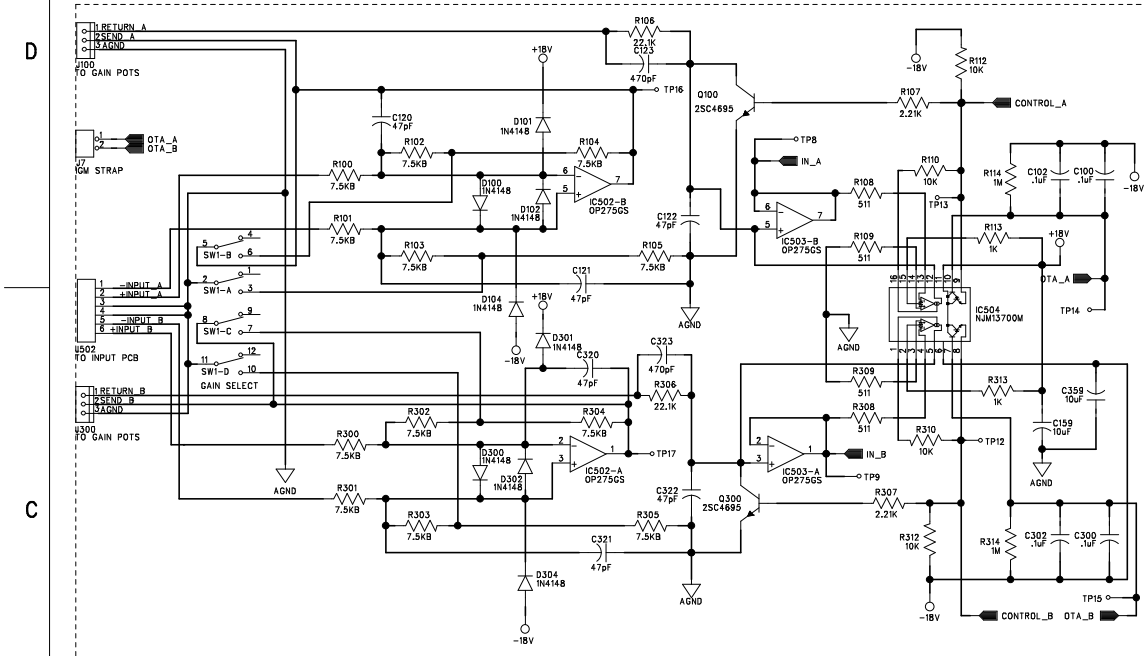


REVISION RECORD			
LTR	ECO NO:	APPROVED:	DATE:



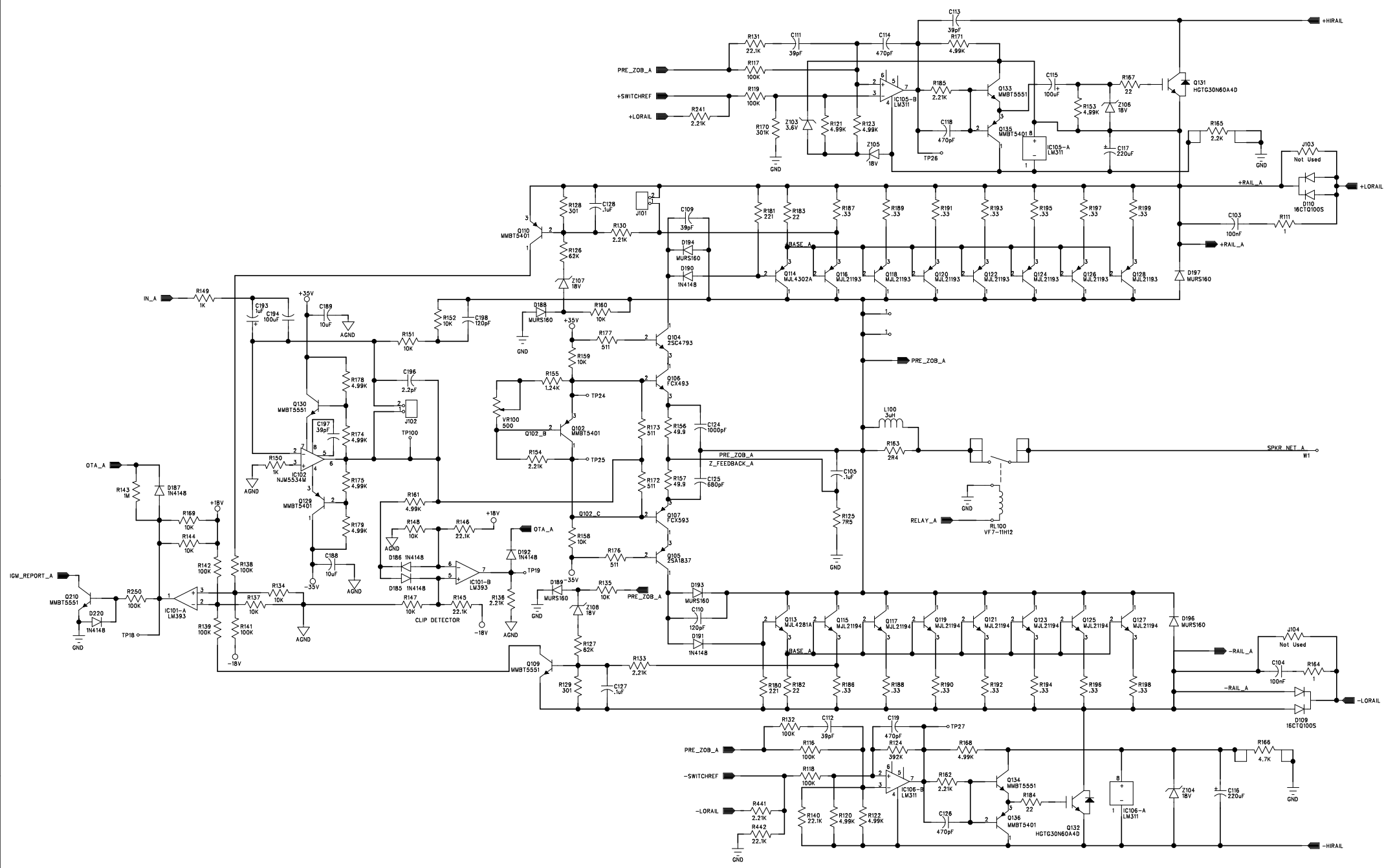
CRESTAUDIO

TITLE: PRO 9200 MOTHERBOARD

DRAWN:	DATED:	CODE:	SIZE:	DRAWING NO:	REV:
CHECKED:	DATED:	D		5490	PVR
QUALITY CONTROL:	DATED:				
RELEASED:	DATED:				

SCALE: 10/21/03 SHEET: OF

REVISION RECORD			
LTR	ECO NO:	APPROVED:	DATE:



CRESTAUDIO

TITLE: PRO 9200 MOTHERBOARD

DRAWN:	DATED:	CODE:	SIZE:	DRAWING NO:	REV:
CHECKED:	DATED:	D		5490	
QUALITY CONTROL:	DATED:				
RELEASED:	DATED:				

SCALE: SHEET: 2 OF 5

6

5

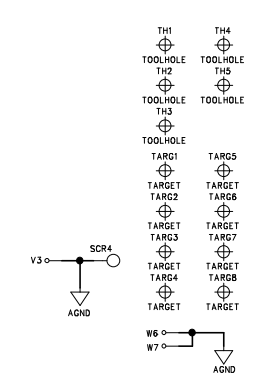
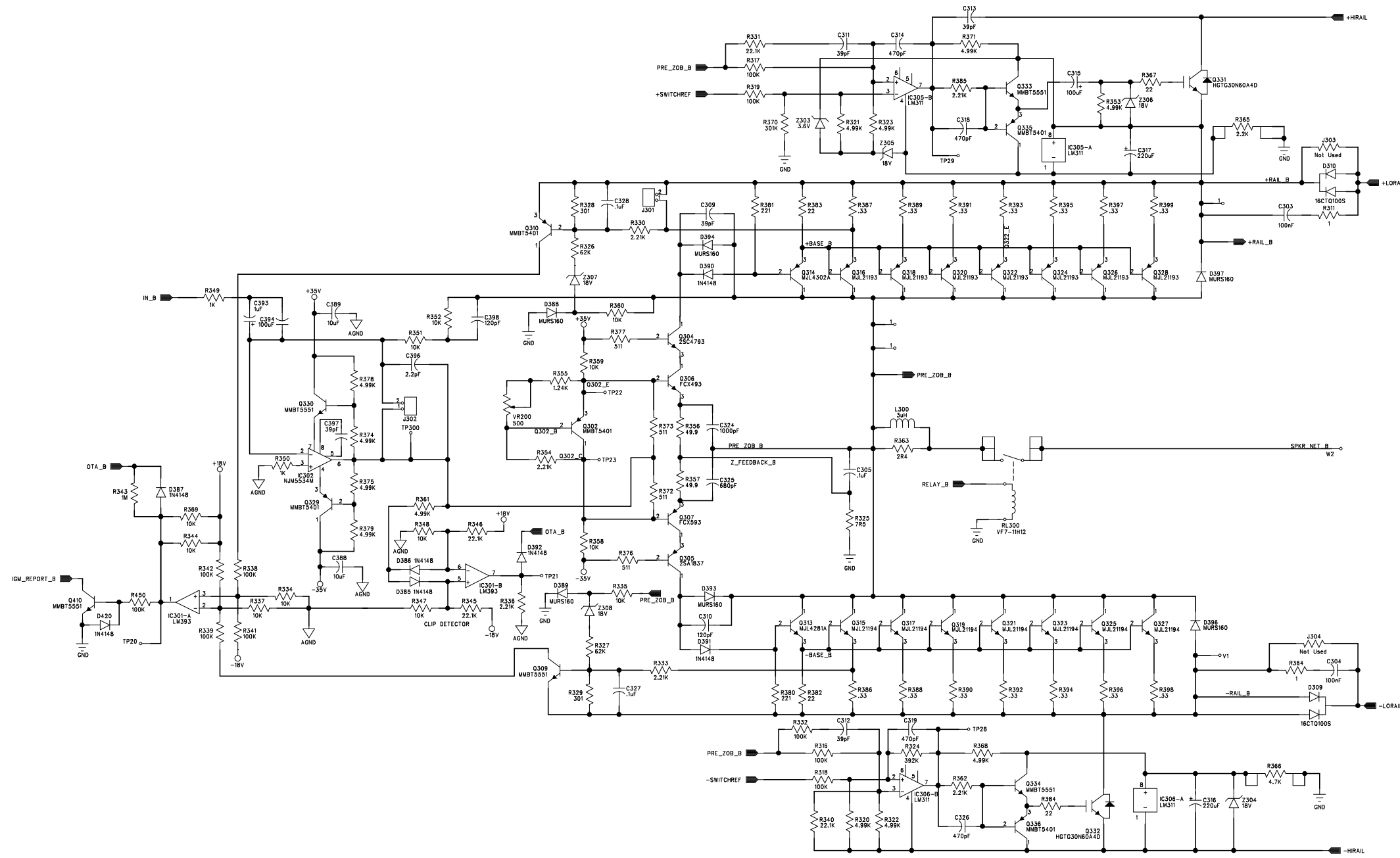
4

3

2

1

REVISION RECORD			
LTR	ECO NO:	APPROVED:	DATE:



CRESTAUDIO

TITLE: PRO 9200 MOTHERBOARD

DRAWN:	DATED:	CODE:	SIZE:	DRAWING NO:	REV:
CHECKED:	DATED:		D	5490	
QUALITY CONTROL:	DATED:				
RELEASED:	DATED:				

SCALE: SHEET: 3 OF 5

6

5

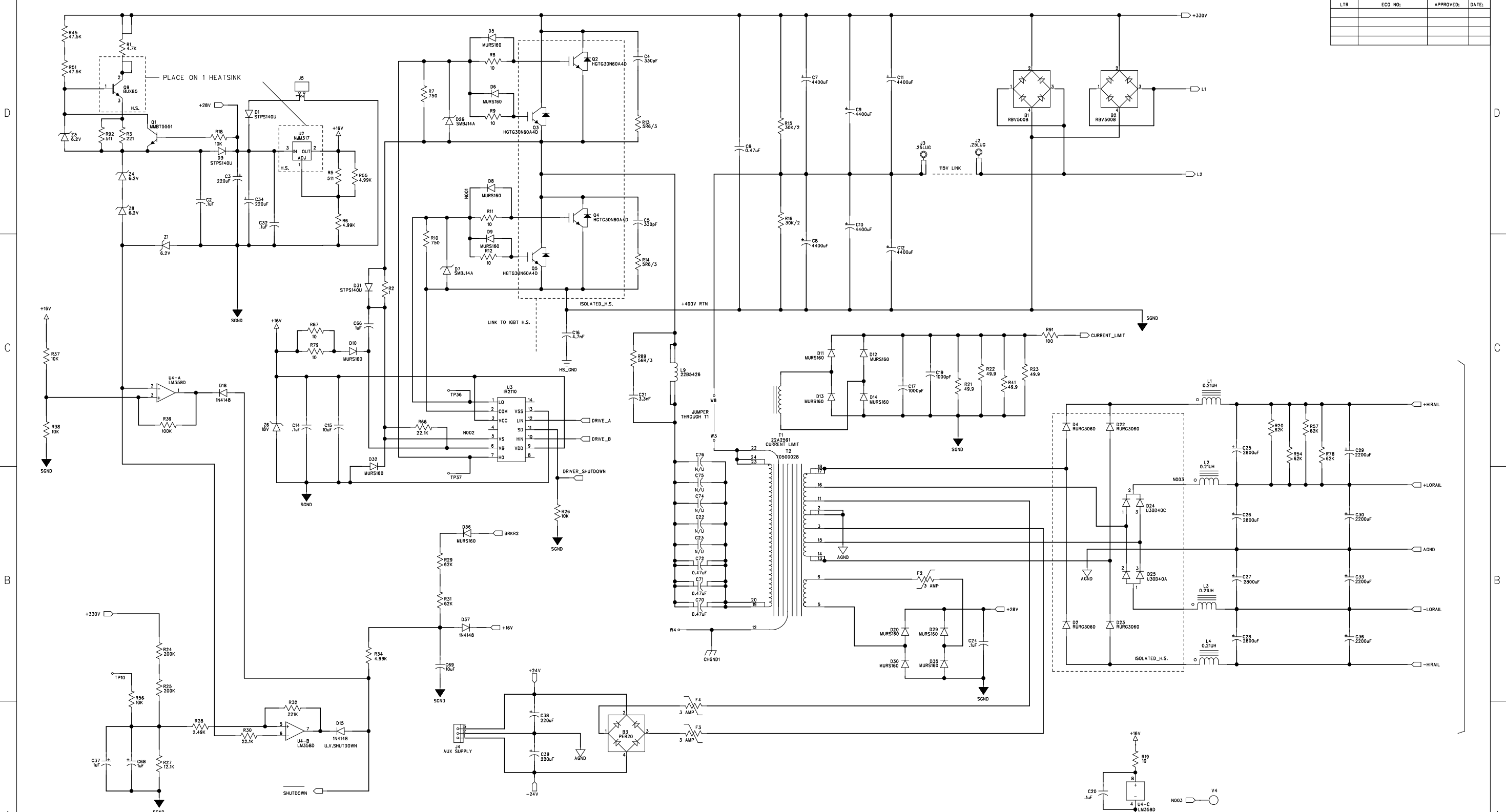
4

3

2

1

REVISION RECORD			
LTR	ECO NO.	APPROVED:	DATE:



CRESTAUDIO

TITLE: PRO 9200 MOTHERBOARD

DRAWN: F.D.B.	DATED: 8 MAY 00	CODE:	SIZE: D	DRAWING NO: 5490	REV:
CHECKED:	DATED:	SCALE:	SHEET: 4 OF 5		
QUALITY CONTROL:	DATED:				
RELEASED:	DATED:				

6

5

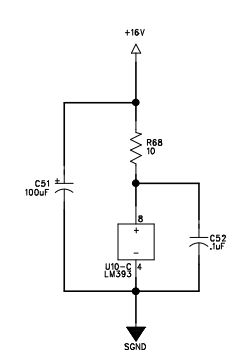
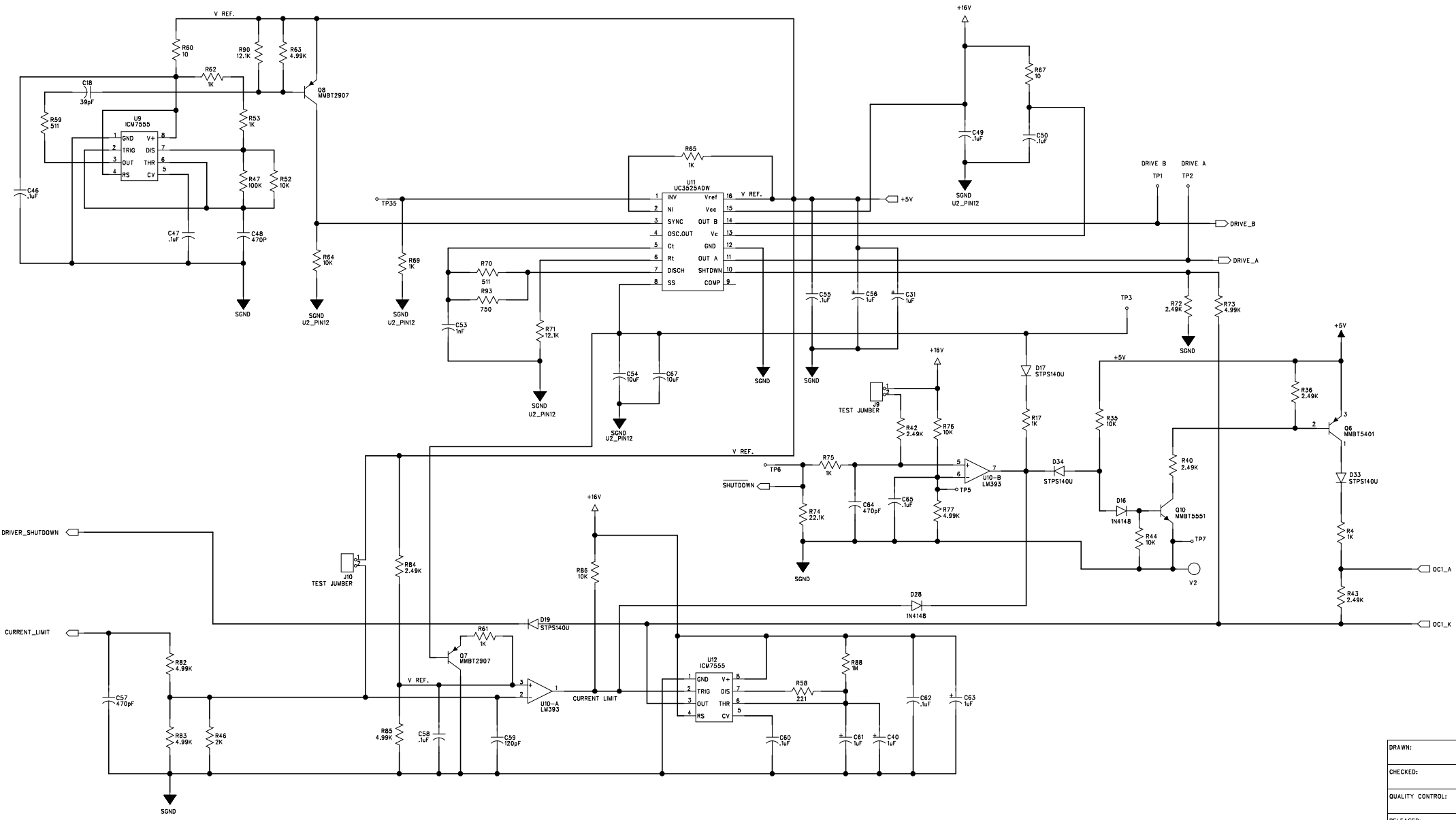
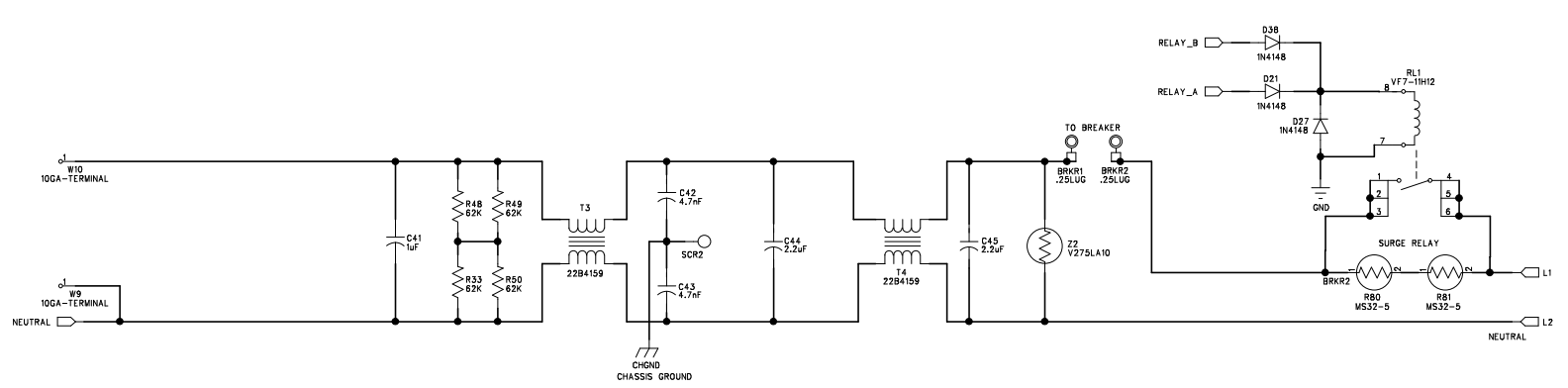
4

3

2

1

REVISION RECORD			
LTR	ECO NO:	APPROVED:	DATE:



CRESTAUDIO

TITLE: PRO 9200 MOTHERBOARD

DRAWN:	DATED:	CODE:	SIZE:	DRAWING NO:	REV:
CHECKED:	DATED:	D		5490	
QUALITY CONTROL:	DATED:				
RELEASED:	DATED:				

SCALE: SHEET: 5 OF 5