

6

5

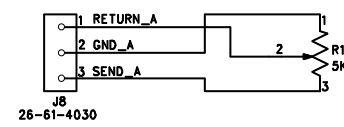
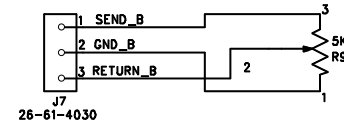
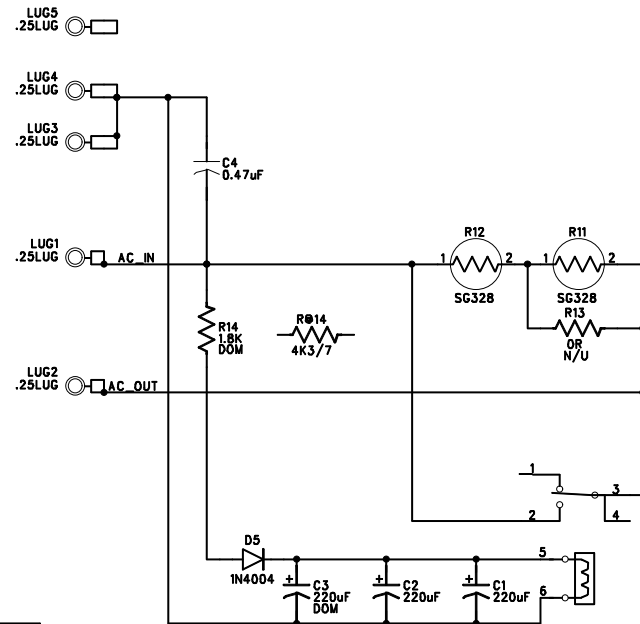
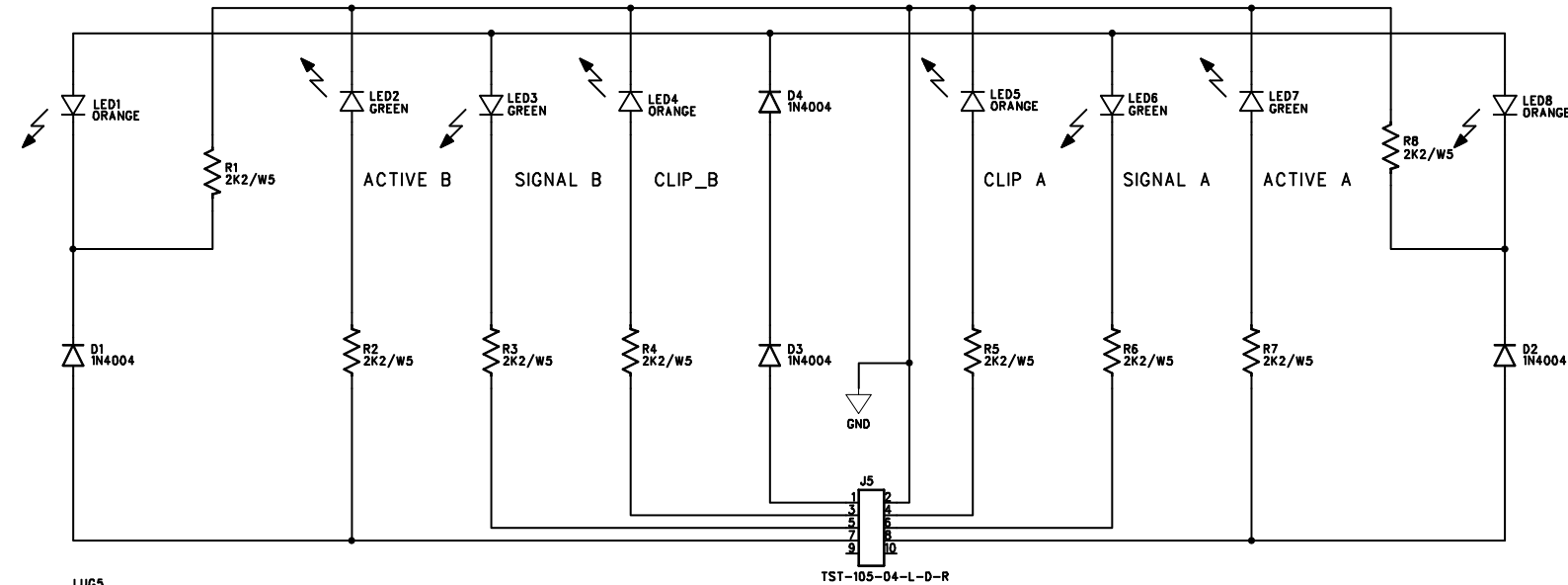
4

3

2

1

REVISION RECORD			
LTR	ECO NO:	APPROVED:	DATE:

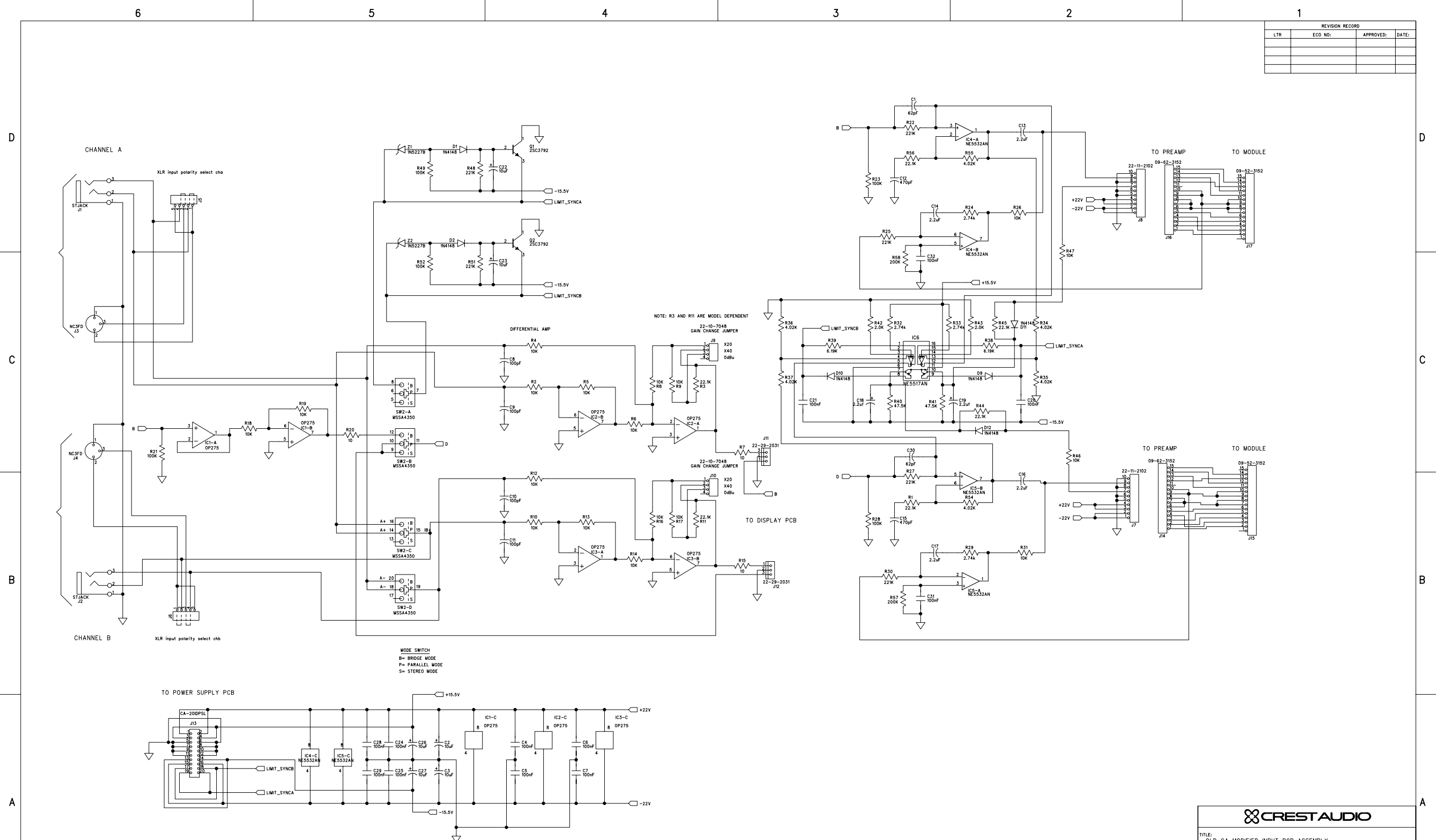


NOTES:
R14 4.3K/7W EXPORT



TITLE: CA SERIES DISPLAY			
DRAWN:	DATED:	CODE:	REV:
CHECKED:	DATED:	SIZE: C	DRAWING NO: 21A1925-05
QUALITY CONTROL:	DATED:	SCALE:	REV: 5
RELEASED:	DATED:	SHEET: 1 OF 1	

REVISION RECORD			
LTR	ECO NO:	APPROVED:	DATE:

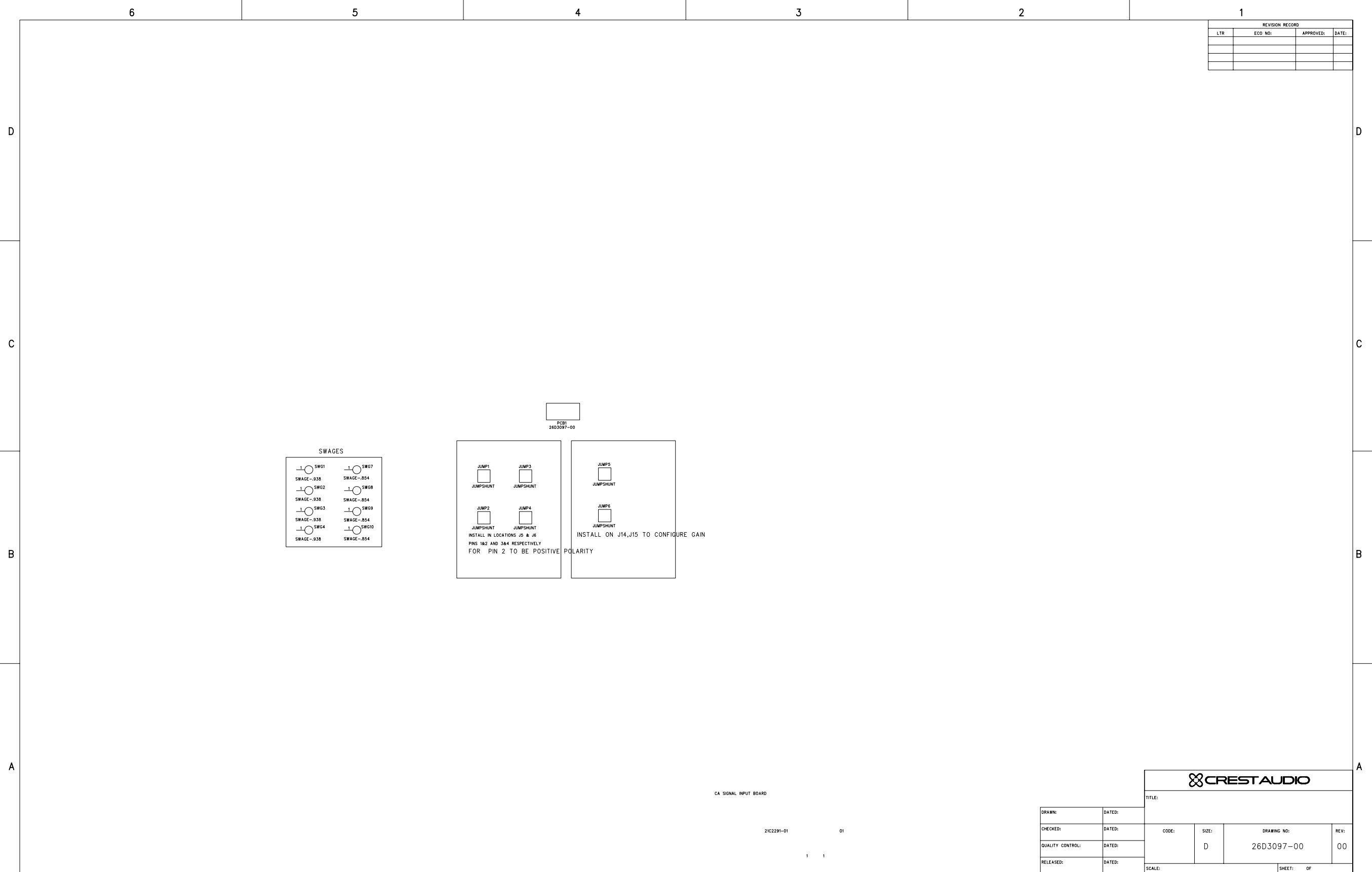


CRESTAUDIO

TITLE: OLD CA MODIFIED INPUT PCB ASSEMBLY

DRAWN: 1990c F.	DATED: 01/14/97	CODE:	SIZE: D	DRAWING NO: 26D3097-00	REV: 00
CHECKED:	DATED:	RELEASED:	DATED:	SCALE:	SHEET: 1 OF 2

REVISION RECORD			
LTR	ECD NO:	APPROVED:	DATE:



SWAGES

SWG1	SWG7
SWAGE-.938	SWAGE-.854
SWG2	SWG8
SWAGE-.938	SWAGE-.854
SWG3	SWG9
SWAGE-.938	SWAGE-.854
SWG4	SWG10
SWAGE-.938	SWAGE-.854

JUMP1
JUMPSHUNT

JUMP2
JUMPSHUNT

INSTALL IN LOCATIONS J5 & J6
PINS 1&2 AND 3&4 RESPECTIVELY
FOR PIN 2 TO BE POSITIVE POLARITY

JUMP3
JUMPSHUNT

JUMP4
JUMPSHUNT

JUMP5
JUMPSHUNT

INSTALL ON J14, J15 TO CONFIGURE GAIN

PCB1
26D3097-00

CA SIGNAL INPUT BOARD

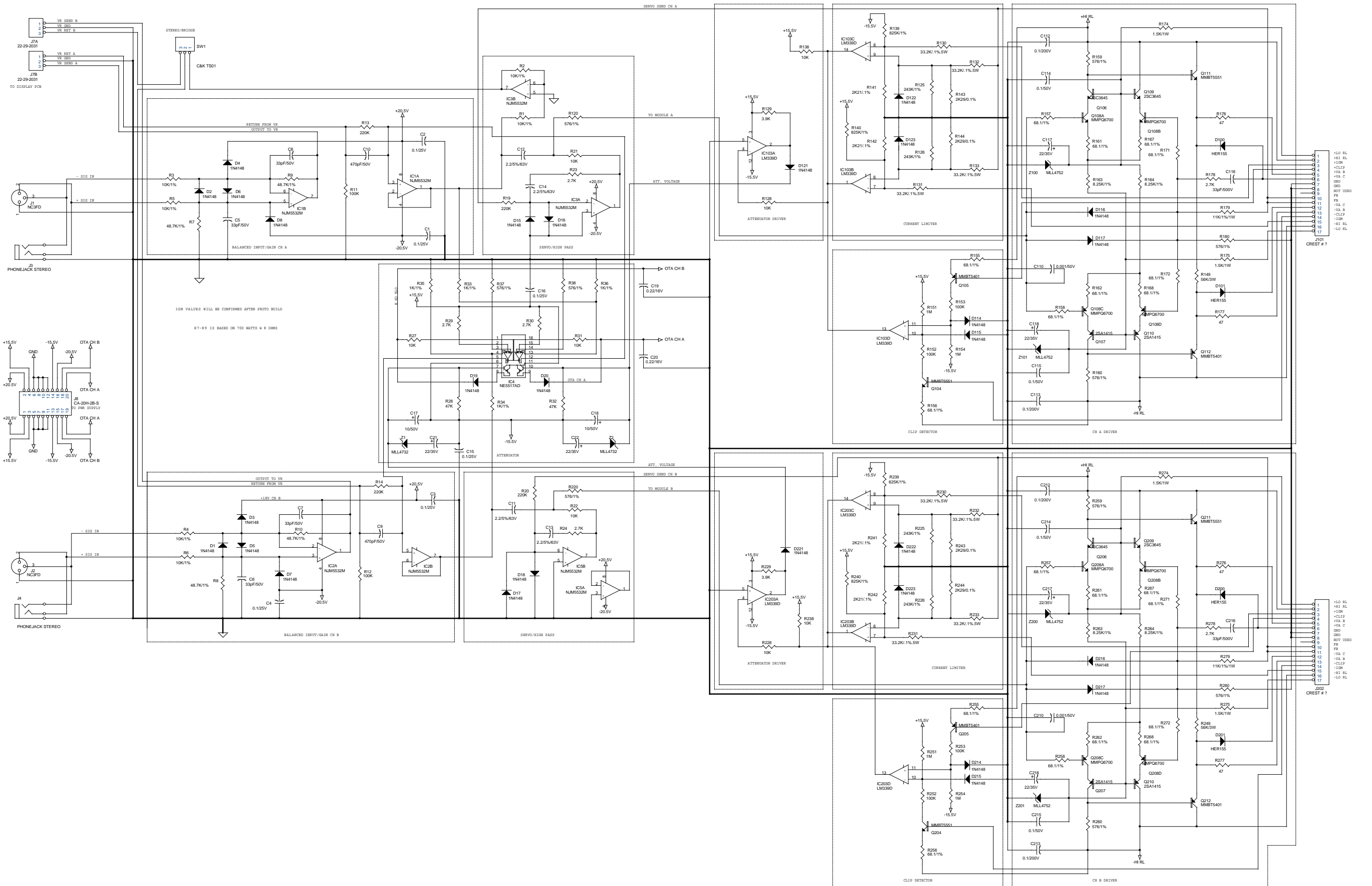
21C2291-01

01

1 1

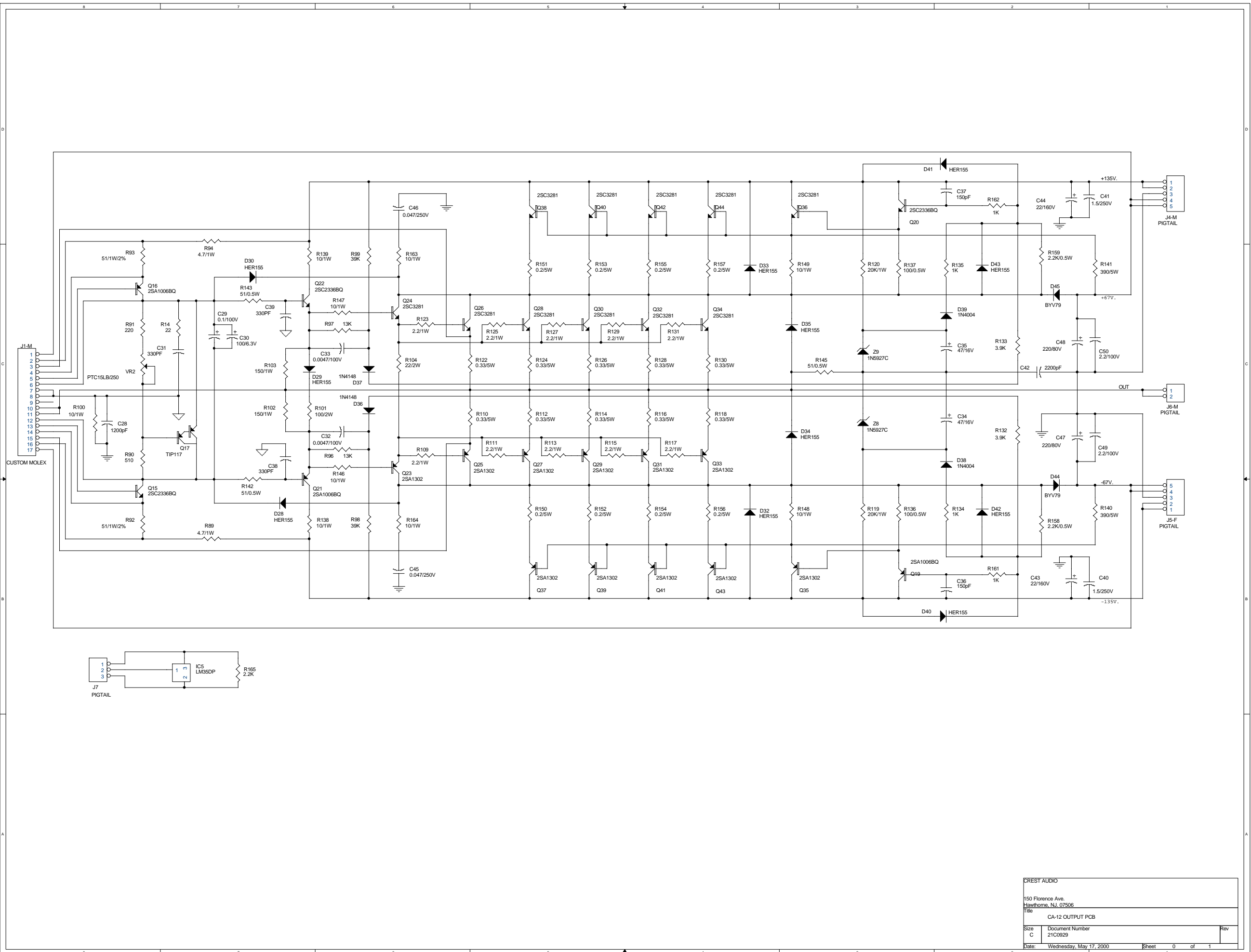
DRAWN:	DATED:
CHECKED:	DATED:
QUALITY CONTROL:	DATED:
RELEASED:	DATED:

CREST AUDIO				
TITLE:				
CODE:	SIZE:	DRAWING NO:	REV:	
	D	26D3097-00	00	
SCALE:			SHEET: OF	



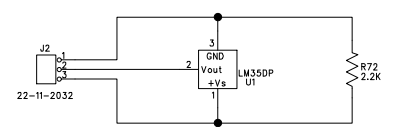
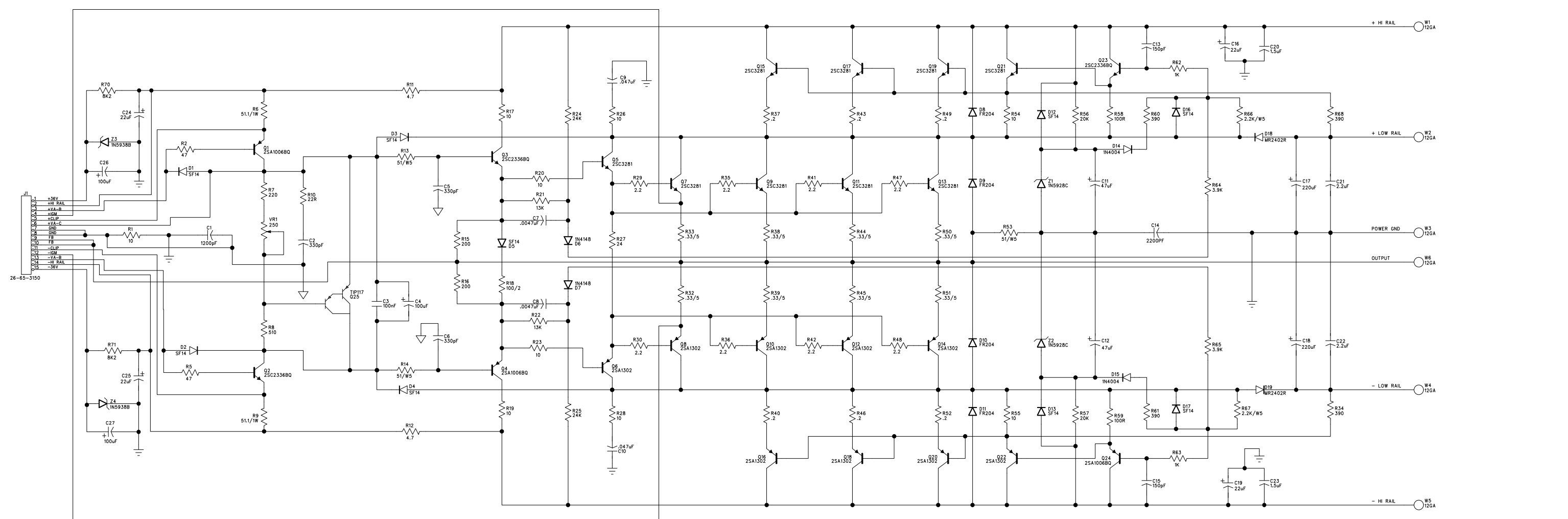
10M VALUES WILL BE CONFIRMED AFTER PROTO BUILD
 87-89 IS BASED ON 700 WATTS @ 8 OHMS

- 1 +10 RL
 - 2 +10 BL
 - 3 +10M
 - 4 -CLIP
 - 5 +10 B
 - 6 +10 C
 - 7 GND
 - 8 ROT USED
 - 9 FB
 - 10 +10 C
 - 11 +10 B
 - 12 -CLIP
 - 13 -10M
 - 14 -10 B
 - 15 -10 C
 - 16 +10 RL
 - 17 +10 BL
- 1001
 CREST # 7



CREST AUDIO
 150 Florence Ave.
 Hawthorne, NJ 07506
 Title CA-12 OUTPUT PCB
 Size C Document Number 21C0929 Rev
 Date: Wednesday, May 17, 2000 Sheet 0 of 1

REVISION RECORD			
LTR	ECO NO:	APPROVED:	DATE:



NOTES

NOTE 1: 8.2K/2W ON MODEL CA-9
6.8K/2W ON MODEL CA-6

NOTE 2: Q9, Q12, NOT USED ON MODEL CA-6

UPDATED CHANGES

12-17-93 RE-CONNECT D1
01-05-94 DELETE R31, R32
CHANGED R27 FROM 51R/2W TO 25R/2W
CHANGED R18 FROM 200R/2W TO 100R/2W
CHANGED R15,R16 FROM 150R/1W TO 200R/W5

CRESTAUDIO

TITLE: CA-6 / CA-9 OUPUT MODULE

DRAWN:	DATED: 7/8/94	CODE:	SIZE: C	DRAWING NO: 21C1907	REV: 01
CHECKED:	DATED:	RELEASED:	DATED:	SCALE:	SHEET: 1 OF 1

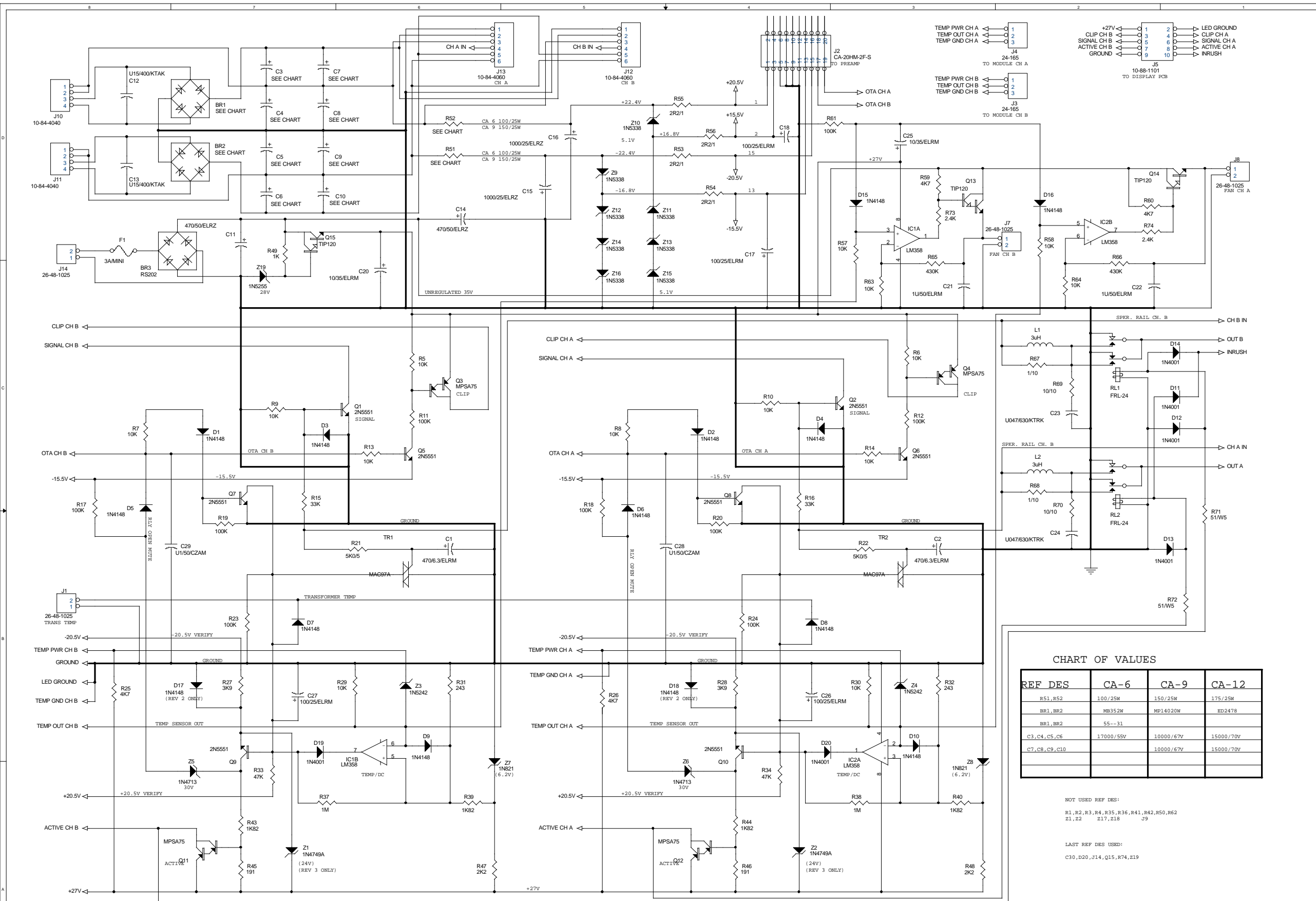


CHART OF VALUES

REF DES	CA-6	CA-9	CA-12
R51, R52	100/25W	150/25W	175/25W
BR1, BR2	MB352W	MP14020W	ED2478
BR1, BR2	55--31		
C3, C4, C5, C6	17000/55V	10000/67V	15000/70V
C7, C8, C9, C10		10000/67V	15000/70V

NOT USED REF DES:
 R1, R2, R3, R4, R35, R36, R41, R42, R50, R62
 Z1, Z2 Z17, Z18 J9

LAST REF DES USED:
 C30, D20, J14, Q15, R74, Z19

REV NOTE 2/14/94 CHANGED C21, C22 TO 10/50V
 REV NOTE 2/24/94 CHANGE Z17, Z18 FROM 1N5230 TO 1N5927
 REV NOTE 2/24/94 CHANGE C21, C22 FROM 10/50V TO 0.1/50V
 REV NOTE 2/24/94 CHANGE R65, R66 FROM 390K TO 430K
 REV NOTE 2/24/94 CHANGE R35, R36 FROM 100R TO D19, D20 1N4001
 REV NOTE 2/24/94 CHANGE IC1, IC2 FROM LM393 TO LM358
 REV NOTE 2/24/94 DELETED R73, R74
 REV NOTE 2/28/94 REV 3 ONLY DELETE D17, D18 AND ADD Z1, Z2

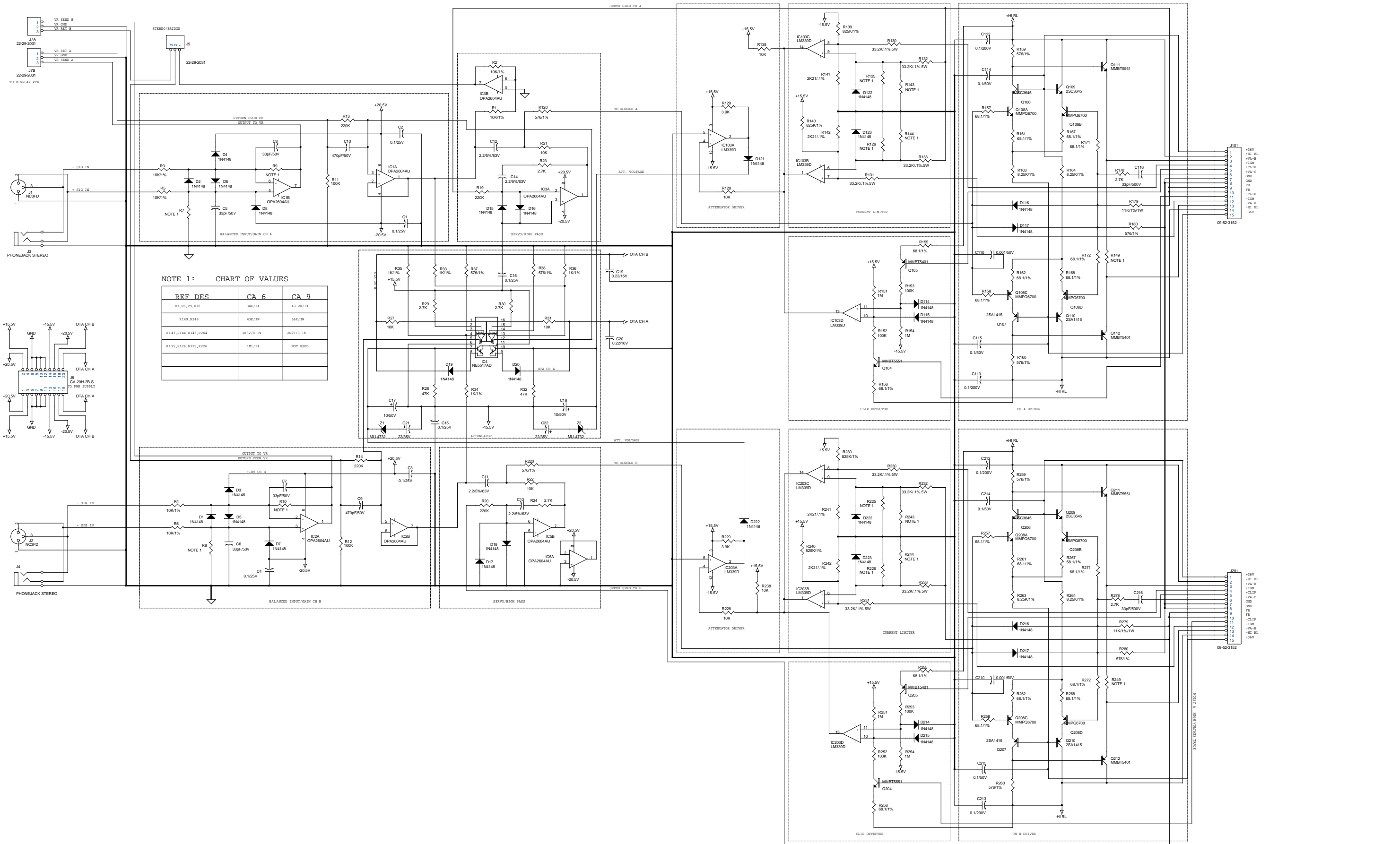
REV NOTE 3/28/94 CHANGED C21, C22 TO 10U/50V
 REV NOTE 3/28/94 CHANGED Z17, Z18 TO R73, R74 2.4K
 REV NOTE 6/8/94 CHANGED C21, C22 FROM 10U/50V TO 0.470U/100V

CREST AUDIO
 100 EISENHOWER DRIVE
 PARAMUS, NJ 07652

Title CA SERIES POWER SUPPLY

Size C Document Number 21C1895 Rev XX

Date: Wednesday, May 17, 2000 Sheet 0 of 0



NOTE 1: CHART OF VALUES

REF DES	CA-6	CA-9
R7, R8, R9, R10	34K/1%	43.2K/1%
R149, R249	43K/3%	56K/3%
R143, R144, R243, R244	2K32/0.1%	2K32/0.1%
R125, R126, R225, R226	1M/1%	NOT USED

- 1 +34V
- 2 +15V
- 3 +15V
- 4 +15V
- 5 +15V
- 6 +15V
- 7 +15V
- 8 +15V
- 9 +15V
- 10 +15V
- 11 +15V
- 12 +15V
- 13 +15V
- 14 +15V
- 15 +15V

- 1 +34V
- 2 +15V
- 3 +15V
- 4 +15V
- 5 +15V
- 6 +15V
- 7 +15V
- 8 +15V
- 9 +15V
- 10 +15V
- 11 +15V
- 12 +15V
- 13 +15V
- 14 +15V
- 15 +15V

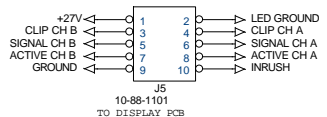
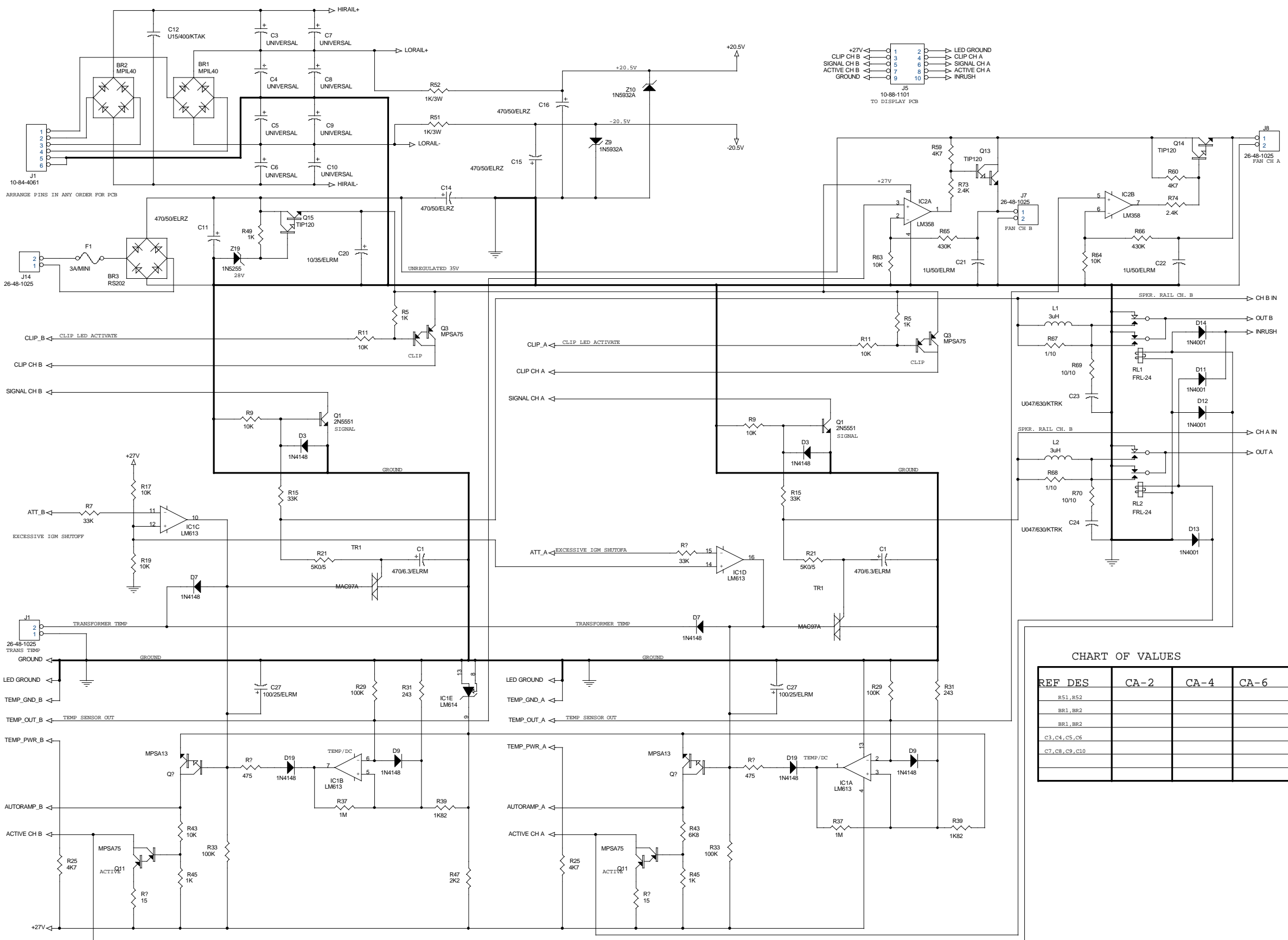


CHART OF VALUES

REF DES	CA-2	CA-4	CA-6
R51, R52			
BR1, BR2			
BR1, BR2			
C3, C4, C5, C6			
C7, C8, C9, C10			

CREST AUDIO
 100 EISENHOWER DRIVE
 PARAMUS, NJ 07652

Title CA SERIES POWER SUPPLY

Size C Document Number 21C1895 Rev XX

Date: Wednesday, May 17, 2000 Sheet 0 of 0

6

5

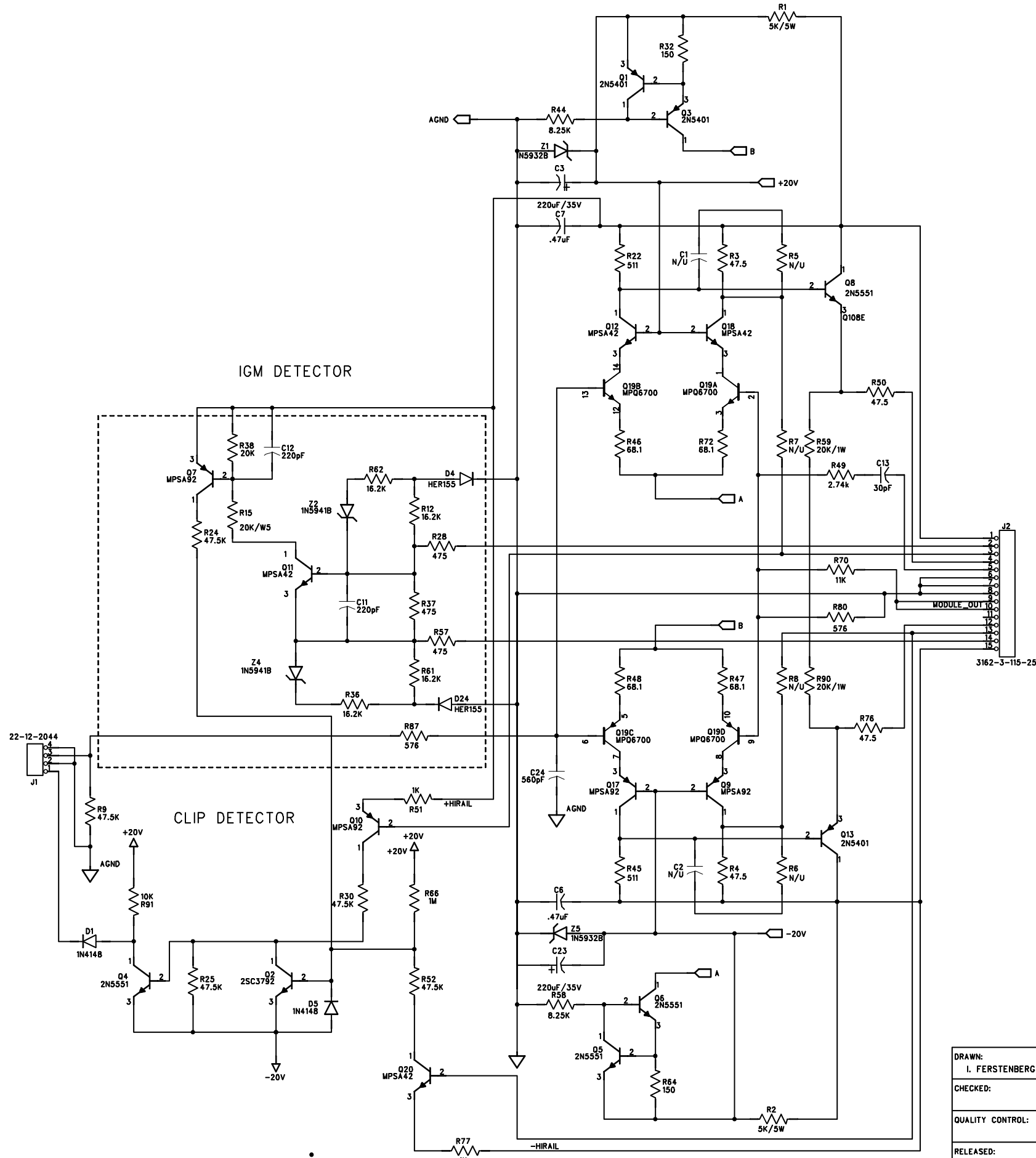
4

3

2

1

REVISION RECORD			
LTR	ECO NO:	APPROVED:	DATE:



PCB1
PCB
69000382
26C-365-A

CREST AUDIO

TITLE: CARETRO THRU HOLE PREAMP

CODE:	SIZE: C	DRAWING NO: CARETRO1.SCH	REV: A
-------	----------------	--------------------------	--------

SCALE: SHEET: 1 OF 1

DRAWN: I. FERSTENBERG	DATED: 5/8/97
CHECKED:	DATED:
QUALITY CONTROL:	DATED:
RELEASED:	DATED:

D

C

B

A

D

C

B

A

6

5

4

3

2

1

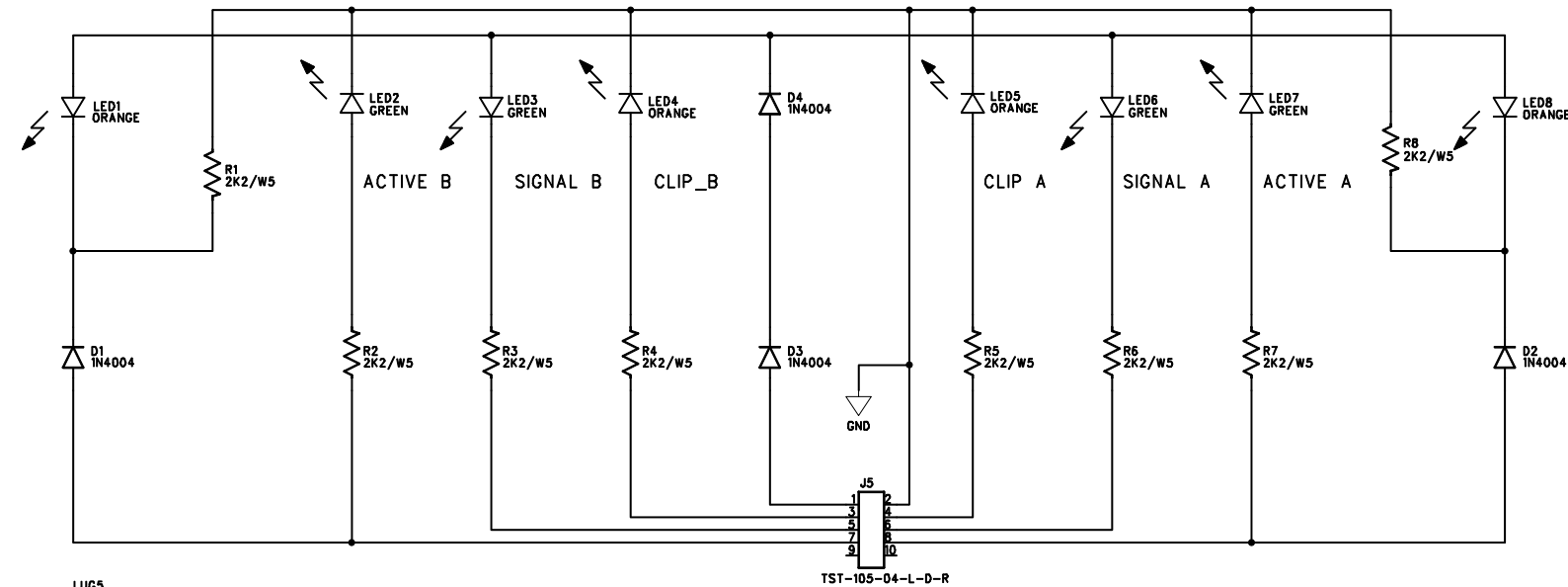
REVISION RECORD			
LTR	ECO NO:	APPROVED:	DATE:

D

D

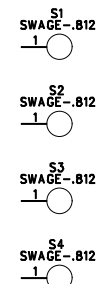
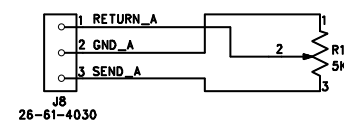
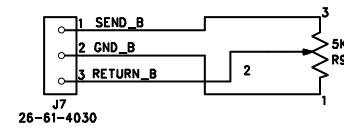
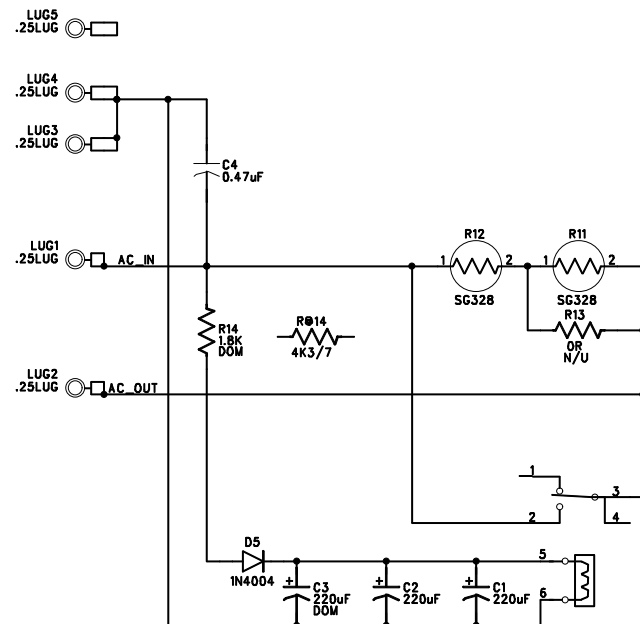
C

C



B

B



NOTES:
R14 4.3K/7W EXPORT

A

A

CREST AUDIO

TITLE: CA SERIES DISPLAY

DRAWN:	DATED:	CODE:	SIZE: C	DRAWING NO: 21A1925-05	REV: 5
CHECKED:	DATED:	SCALE:		SHEET: 1 OF 1	
QUALITY CONTROL:	DATED:				
RELEASED:	DATED:				

