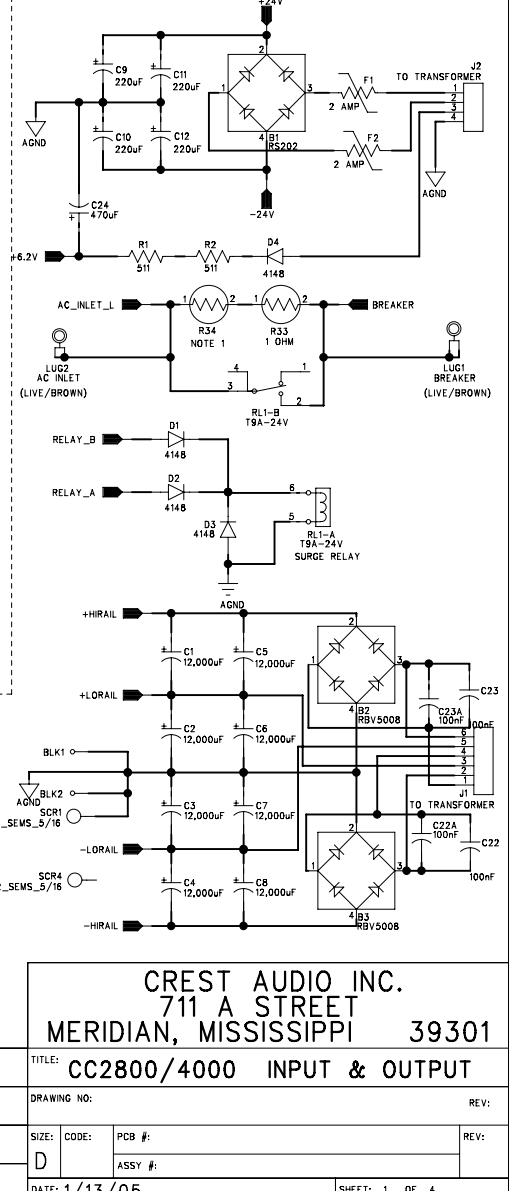
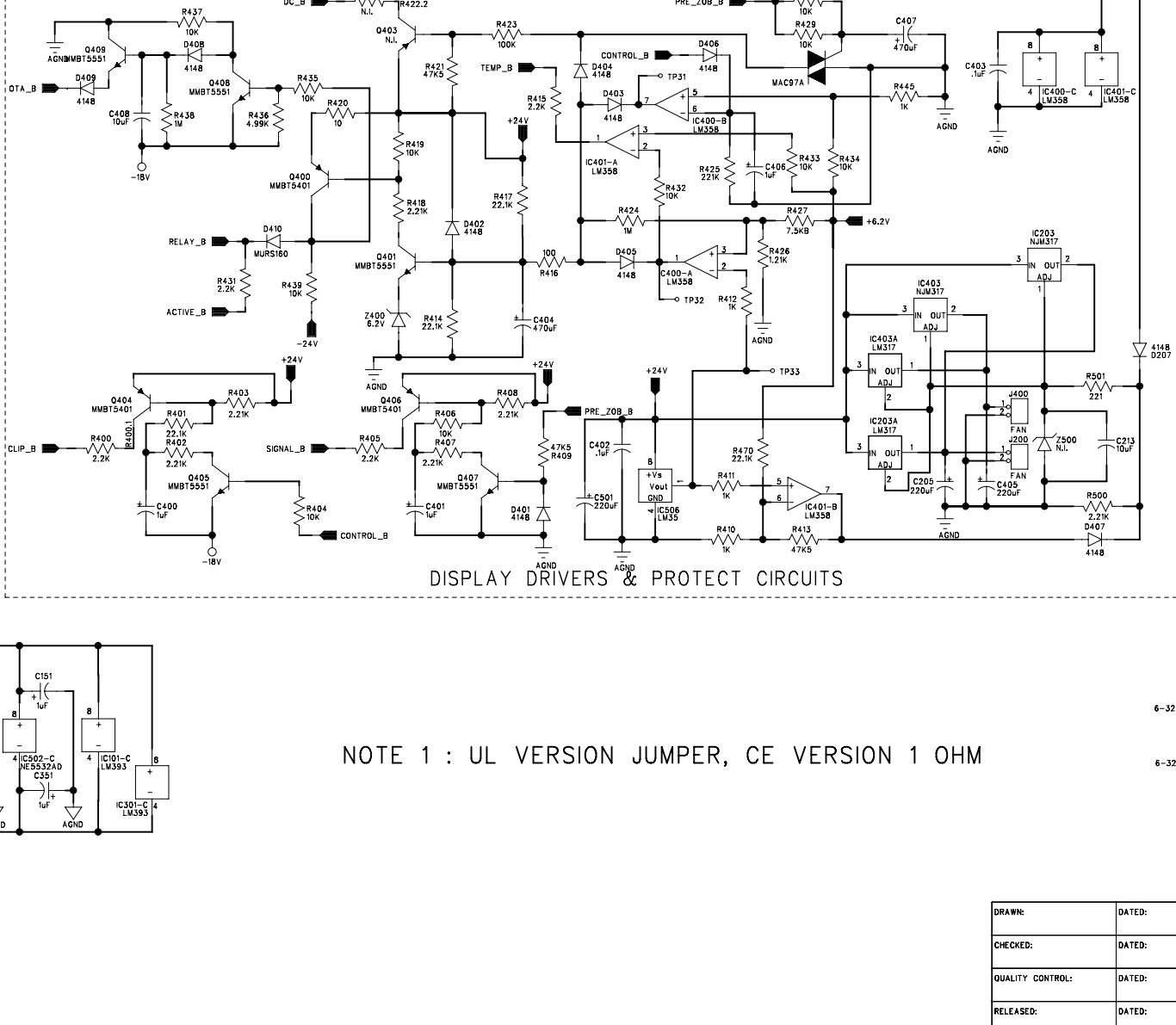
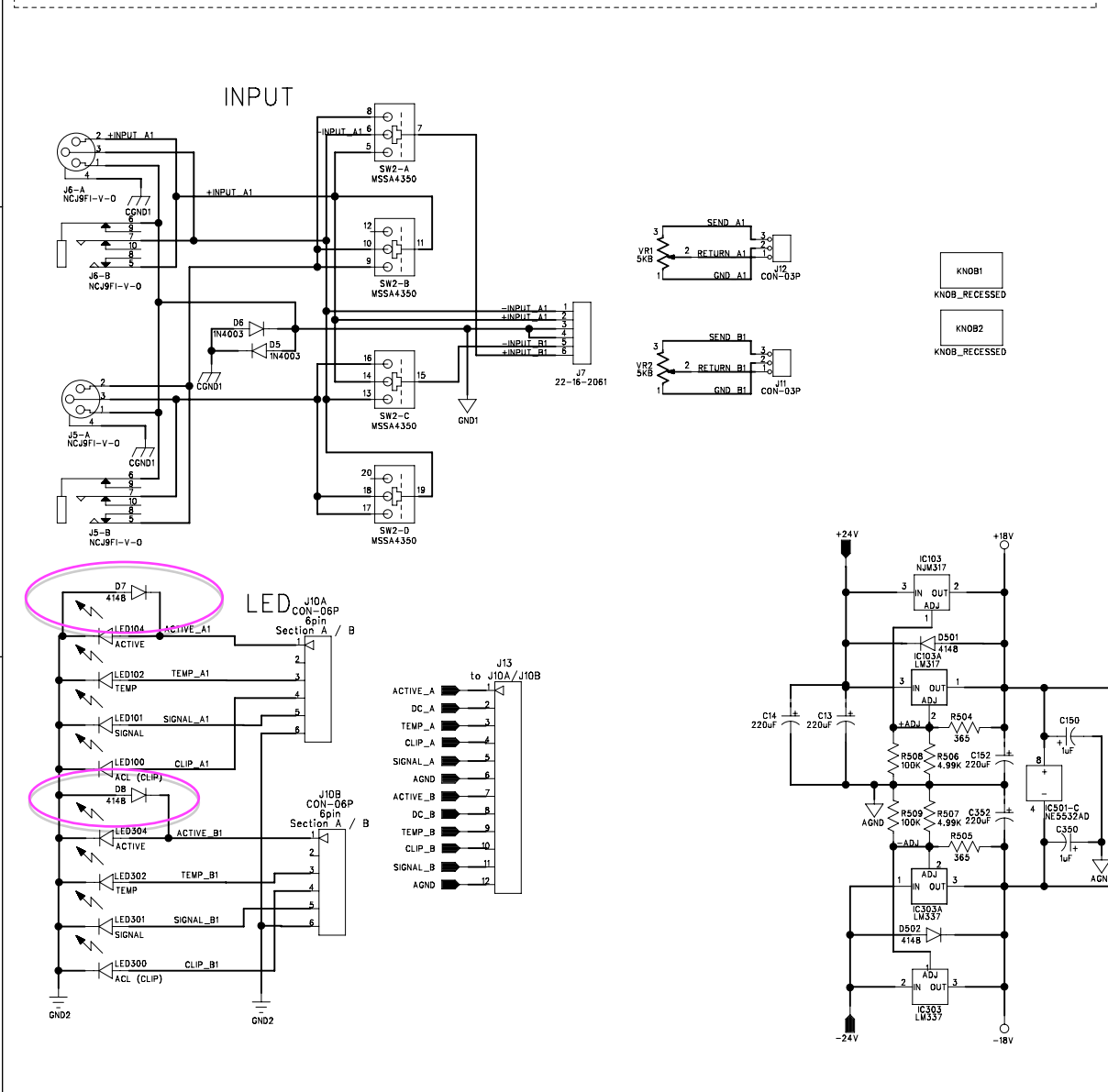
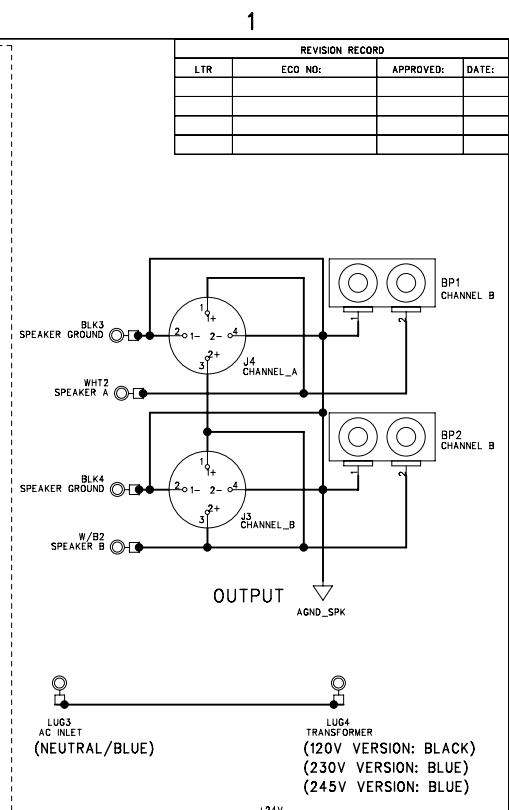
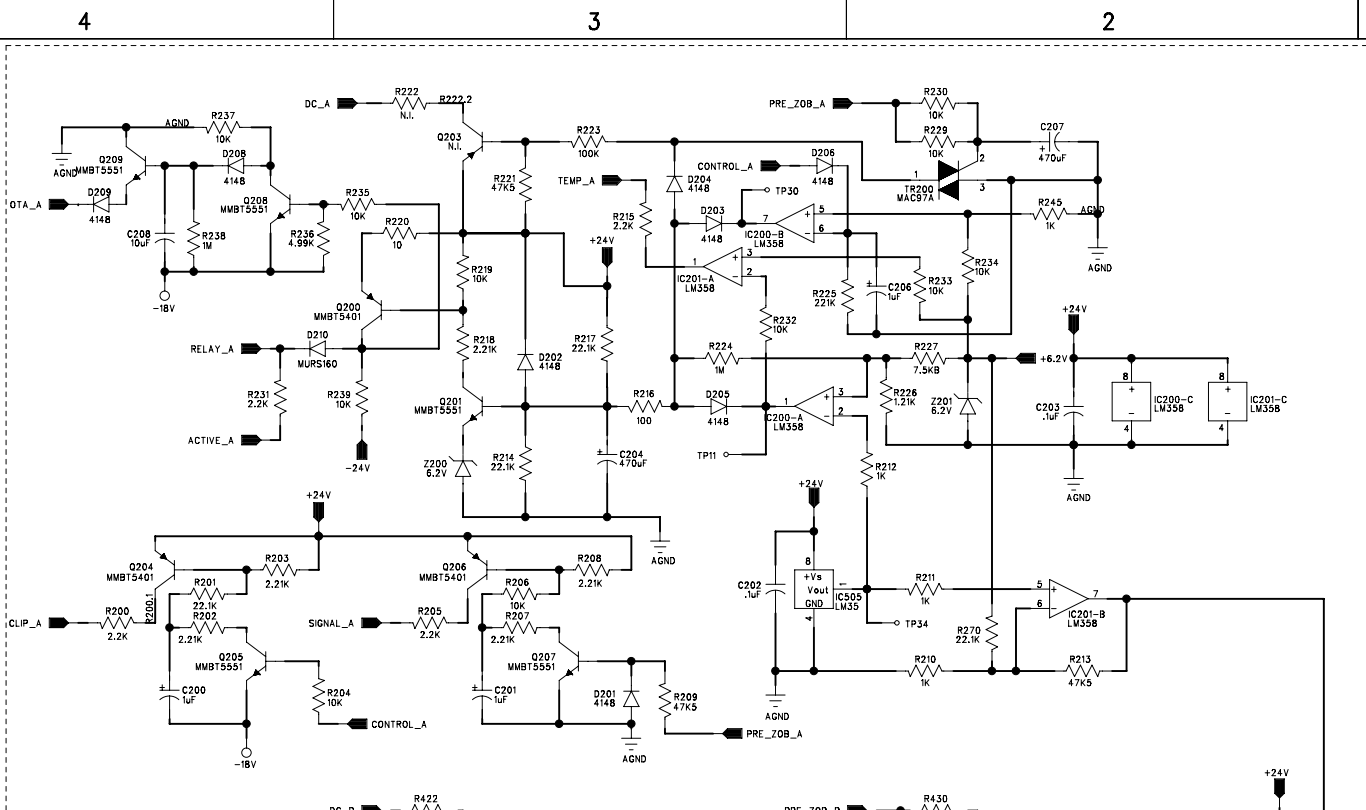
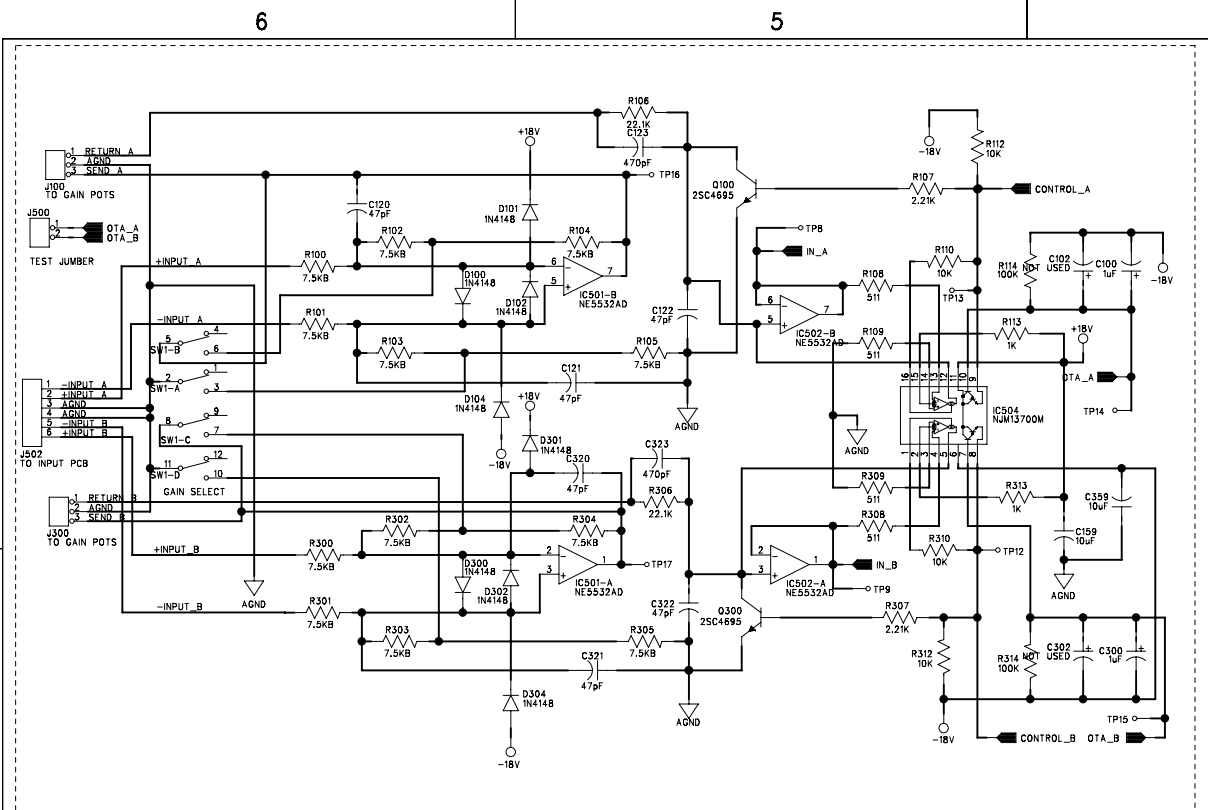


REVISION RECORD			
LTR	ECD NO:	APPROVED:	DATE:

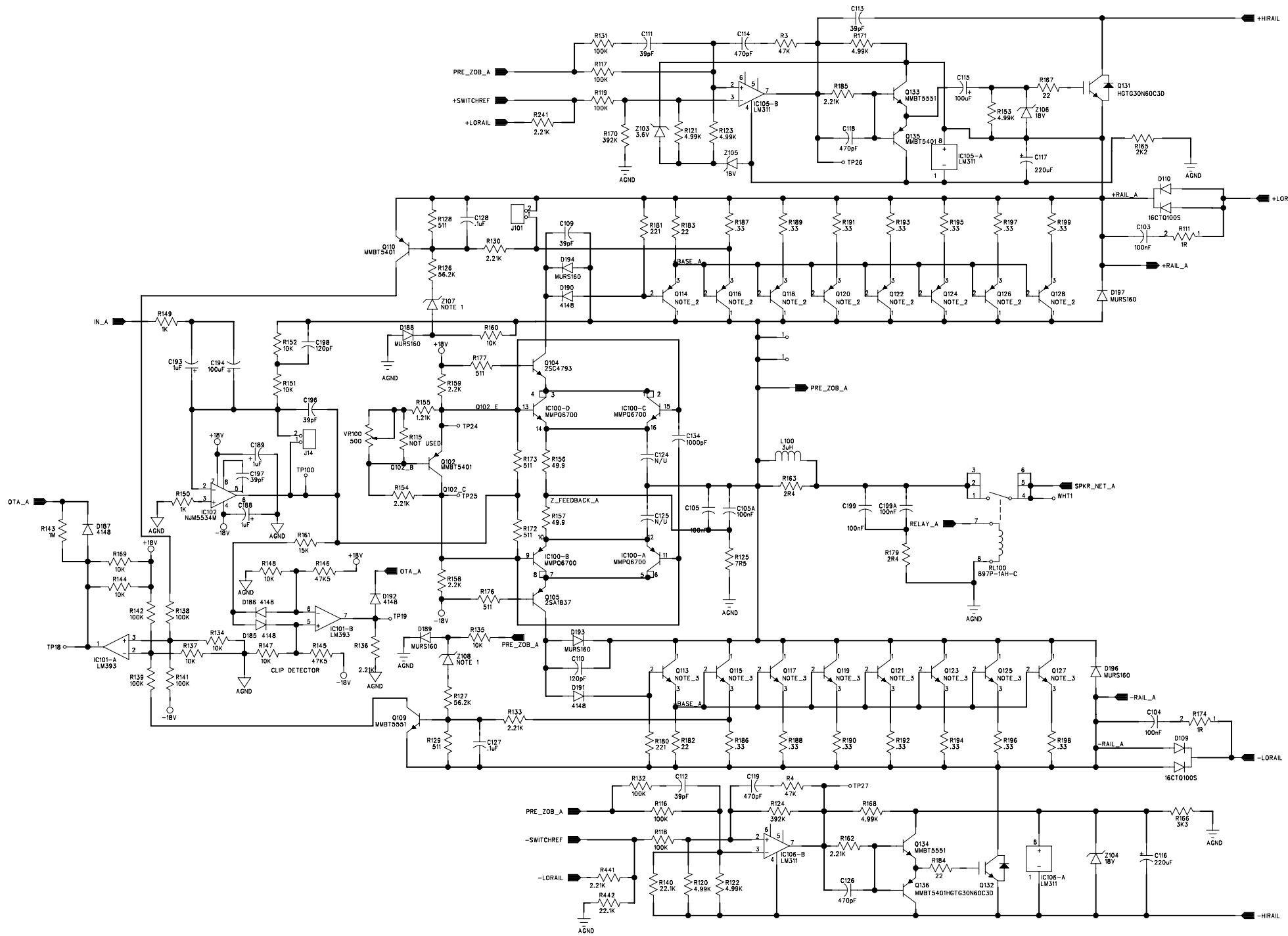


NOTE 1 : UL VERSION JUMPER, CE VERSION 1 OHM

CREST AUDIO INC.
711 A STREET
MERIDIAN, MISSISSIPPI 39301

DRAWN:	DATED:	TITLE: CC2800/4000 INPUT & OUTPUT
CHECKED:	DATED:	DRAWING NO:
QUALITY CONTROL:	DATED:	SIZE: CODE: PCB #:
RELEASED:	DATED:	ASSY #:
DATE: 1/13/05		SHEET: 1 OF 4

REVISION RECORD			
LTR	ECO NO:	APPROVED:	DATE:

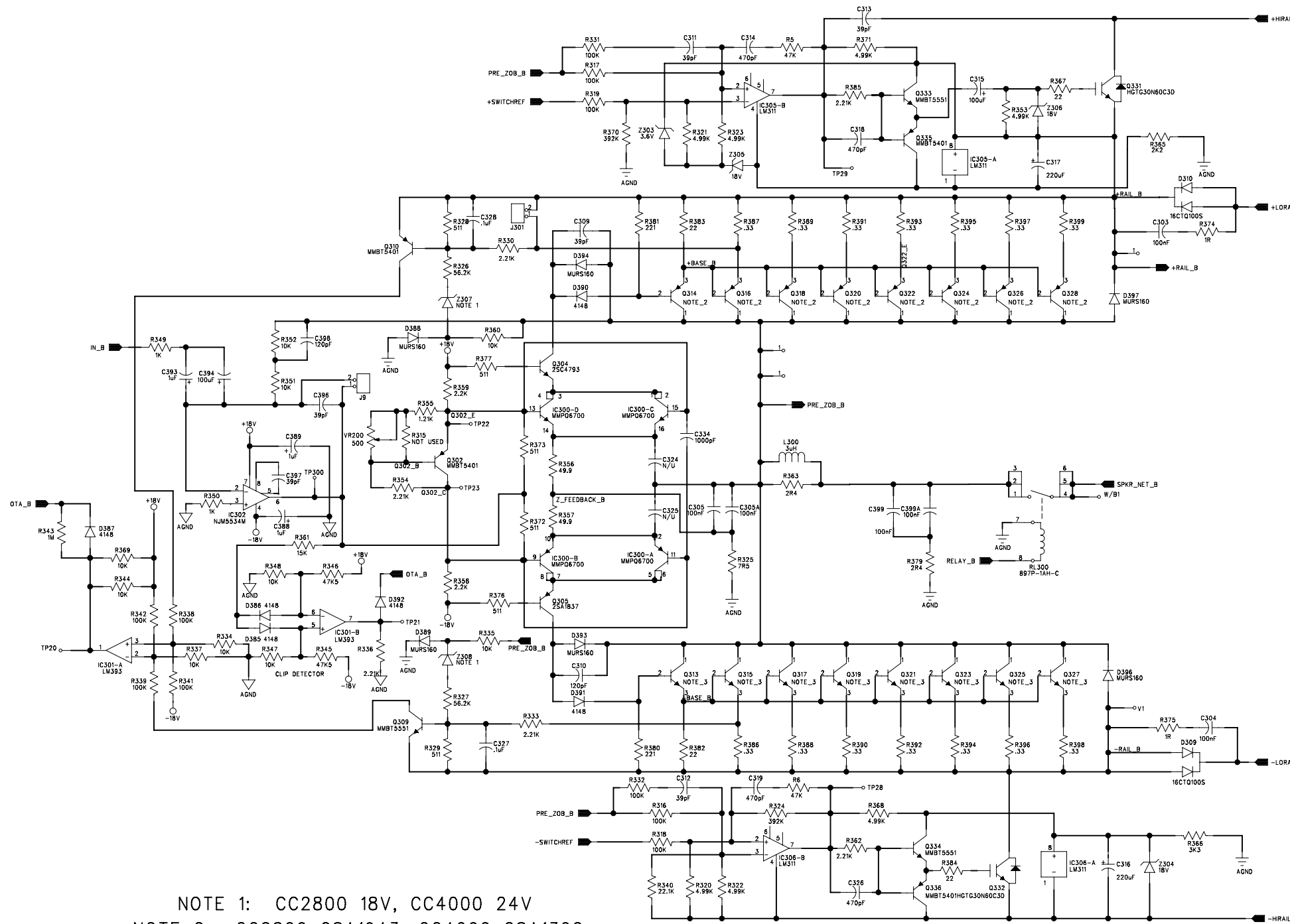


NOTE 1: CC2800 18V, CC4000 24V
 NOTE 2: CC2800 2SA1943, CC4000 2SA1302
 NOTE 3: CC2800 2SC5200, CC4000 2SC3281

CREST AUDIO INC.
 711 A STREET
 MERIDIAN, MISSISSIPPI 39301

DRAWN:	DATED:	TITLE: CC2800/4000 CH A
CHECKED:	DATED:	DRAWING NO: _____ REV: _____
QUALITY CONTROL:	DATED:	SIZE: CODE: PCB #: _____ REV: _____
RELEASED:	DATED:	ASSY #: _____ REV: _____

REVISION RECORD			
LTR	ECO NO:	APPROVED:	DATE:



NOTE 1: CC2800 18V, CC4000 24V
 NOTE 2: CC2800 2SA1943, CC4000 2SA1302
 NOTE 3: CC2800 2SC5200, CC4000 2SC3281

CREST AUDIO INC.
 711 A STREET
 MERIDIAN, MISSISSIPPI 39301

DRAWN:	DATED:	TITLE: CC2800/4000 CH B
CHECKED:	DATED:	DRAWING NO: _____ REV: _____
QUALITY CONTROL:	DATED:	SIZE: CODE: PCB #: _____ REV: _____
RELEASED:	DATED:	ASSY #: _____ REV: _____

6

5

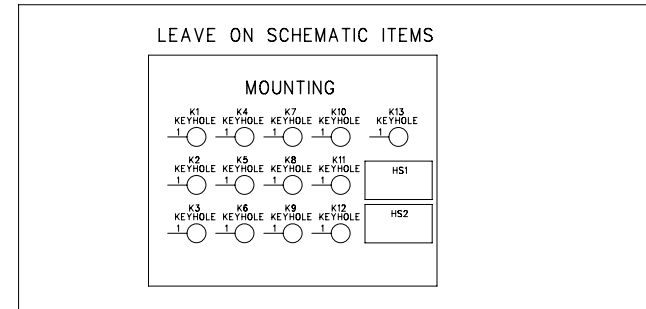
4

3

2

1

REVISION RECORD			
LTR	ECO NO:	APPROVED:	DATE:



NOTE 1: CC2800 18V, CC4000 24V

CREST AUDIO INC.
 711 A STREET
 MERIDIAN, MISSISSIPPI 39301

DRAWN:	DATED:	TITLE:	
CHECKED:	DATED:	DRAWING NO:	REV:
QUALITY CONTROL:	DATED:	SIZE: D	CODE: PCB #: ASSY #:
RELEASED:	DATED:	DATE:	SHEET: 4 OF 4