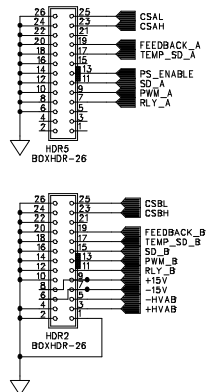
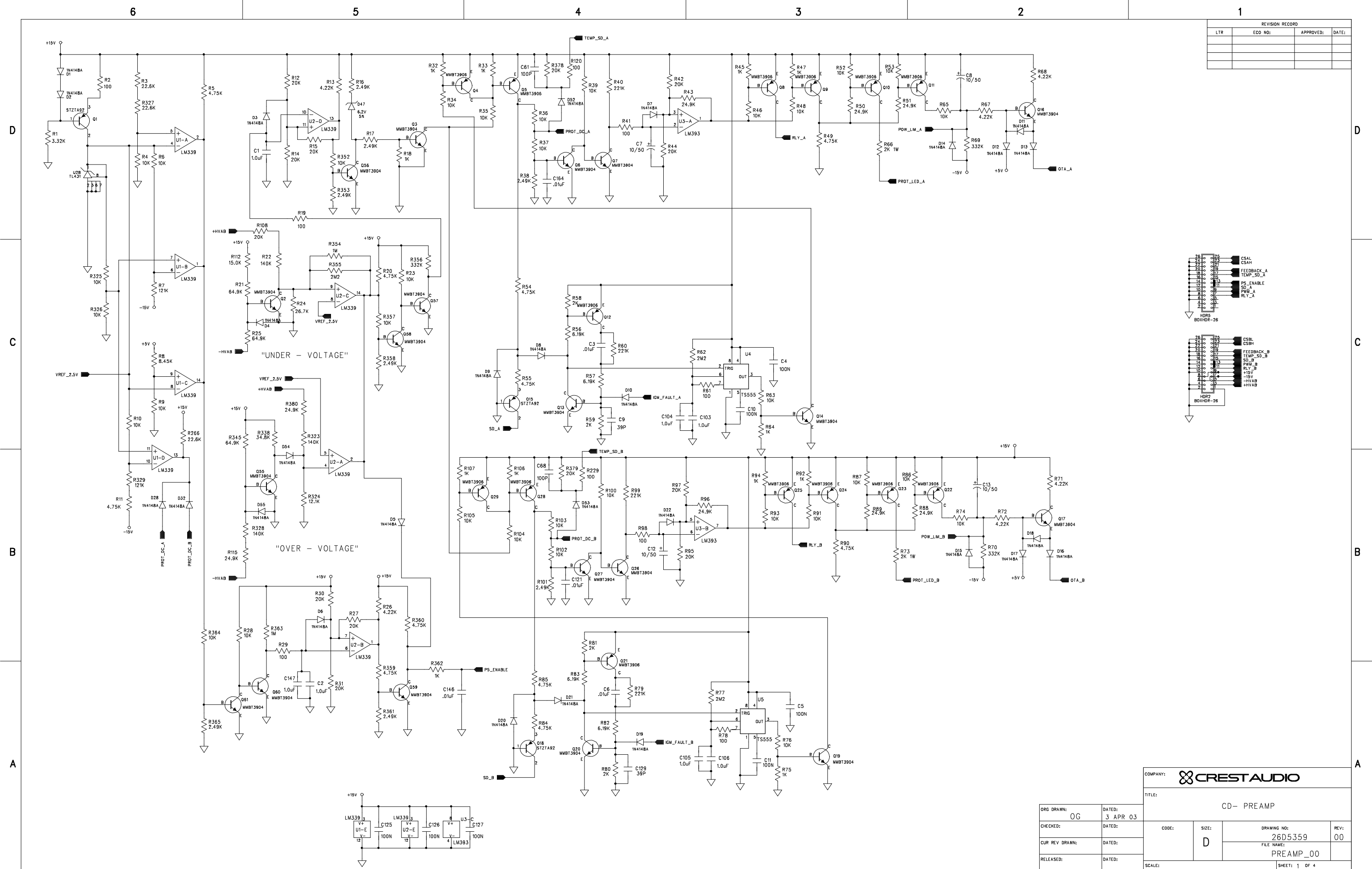
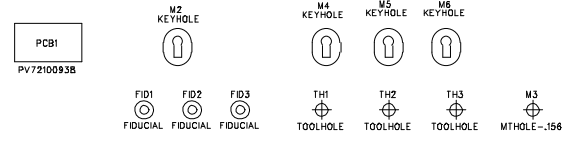
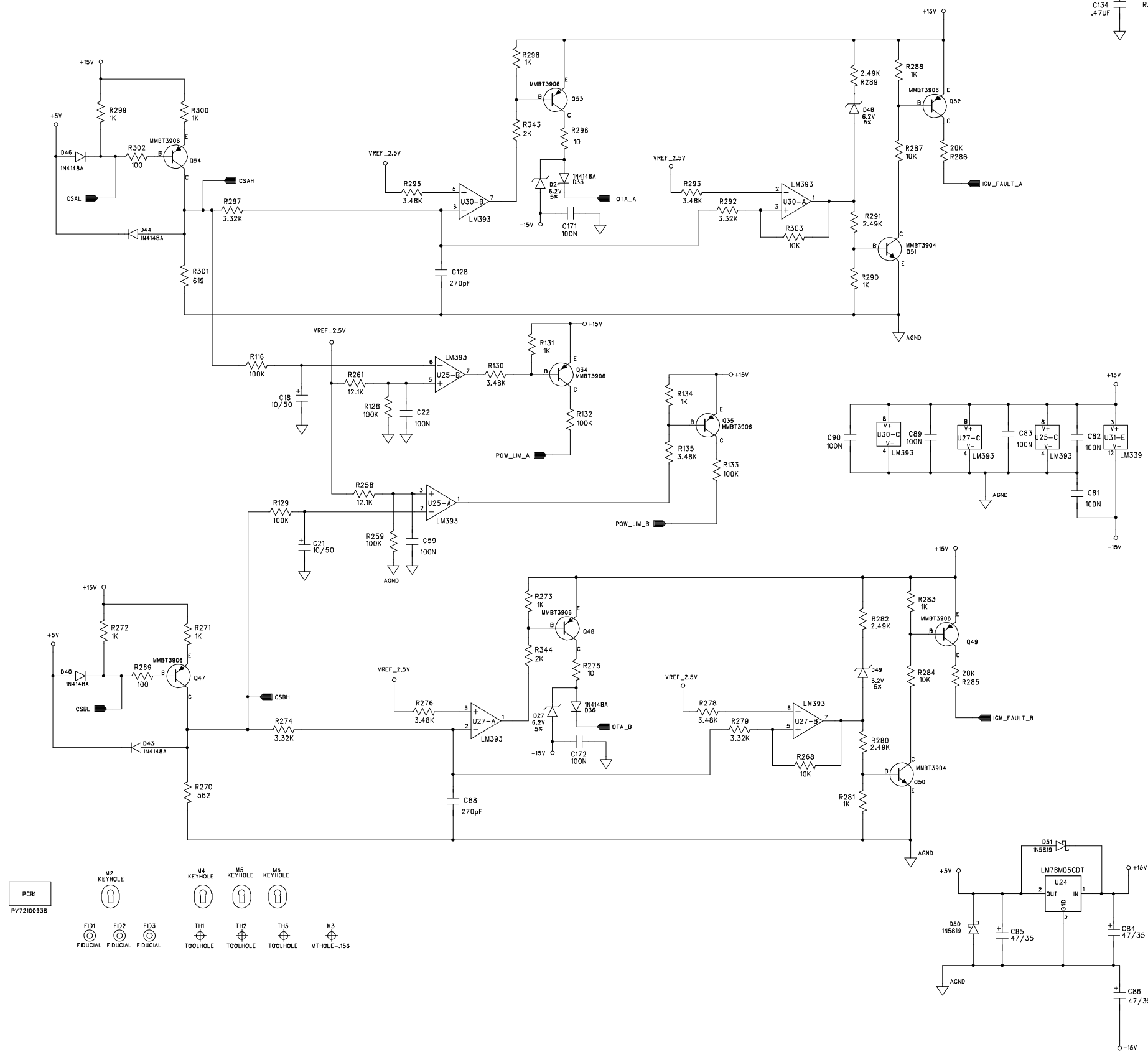


REVISION RECORD			
LTR	ECO NO:	APPROVED:	DATE:

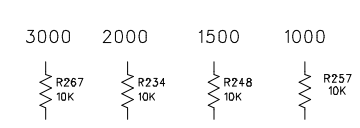
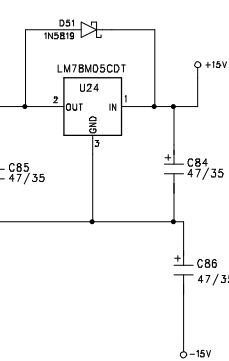


COMPANY: CRESTAUDIO		TITLE: CD- PREAMP	
ORG DRAWN: OG	DATED: 3 APR 03	CODE: D	SIZE: 26D5359
CHECKED: 	DATED: 	DRAWING NO: 26D5359	REV: 00
CUR REV DRAWN: 	DATED: 	FILE NAME: PREAMP_00	
RELEASED: 	DATED: 	SCALE: 	SHEET: 1 OF 4

REVISION RECORD			
LTR	ECO NO:	APPROVED:	DATE:



PCB1
PV2100938



ORG DRAWN: OG	DATED: 3APR 03
CHECKED:	DATED:
CLR REV DRAWN:	DATED:
RELEASED:	DATED:

+/-HV OVERVOLTAGE DETECT

REF DES	CD1000	CD1500	CD2000	CD3000
R323	100K	100K	140K	140K
R380	4.75K	24.9K	4.75K	24.9K
R328	100K	100K	100K	140K
R115	4.75K	24.9K	49.9K	24.9K

+/-HV UNDERVOLTAGE DETECT

REF DES	CD1000	CD1500	CD2000	CD3000
R22	100K	100K	140K	140K
R108	10	20K	10	20K
R21	100K	64.9K	64.9K	64.9K
R112	10	24.9K	24.9K	15.0K

PWM LEVEL SHIFT POWER RESISTOR

REF DES	CD1000	CD1500	CD2000	CD3000
R330, R331	2.0K (2512)	2.0K (2512)	2.0K (2512)	3.32K (2512)

CURRENT-LIMITING CIRCUITS

REF DES	CD1000	CD1500	CD2000	CD3000
R301	909	825	715	614
R270	909	806	681	562

CLOSED-LOOP GAIN CIRCUITS (0dB SETTING)

REF DES	CD1000	CD1500	CD2000	CD3000
R196, R222	2.74K	4.75K	9.09K	N.L.

LOOP COMPENSATION (STABILITY)

REF DES	CD1000	CD1500	CD2000	CD3000
R113	499	499	499	499
R381	1.37K	909	715	499

DISPLAY PCB FEED

REF DES	CD1000	CD1500	CD2000	CD3000
R262, R264	10	2.74K	4.75K	9.09K

MODEL INDICATING RESISTORS

REF DES	CD1000	CD1500	CD2000	CD3000
R267	N.L.	N.L.	N.L.	10K
R234	N.L.	N.L.	10K	N.L.
R248	N.L.	10K	N.L.	N.L.
R257	10K	N.L.	N.L.	N.L.

COMPANY: **CRESTAUDIO**

TITLE: **CD-PREAMP**

ORG DRAWN: OG	DATED: 3APR 03
CHECKED:	DATED:
CLR REV DRAWN:	DATED:
RELEASED:	DATED:

CODE: D	SIZE: D	DRAWING NO: 26D5359	REV: 00
SCALE:		FILE NAME: PREAMP_00	SHEET: 4 OF 4

REVISION RECORD	
LTR	DATE:
ECO NO:	APPROVED:

1

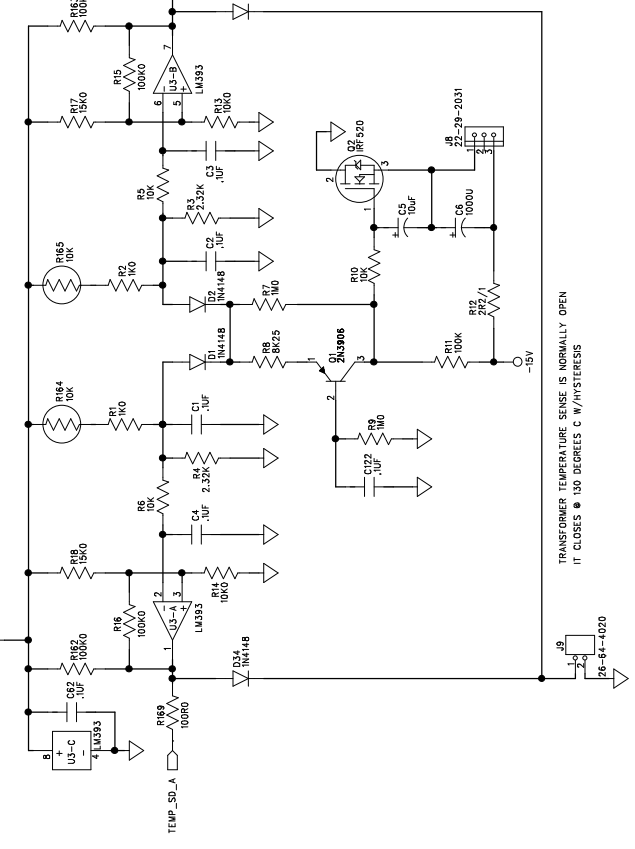
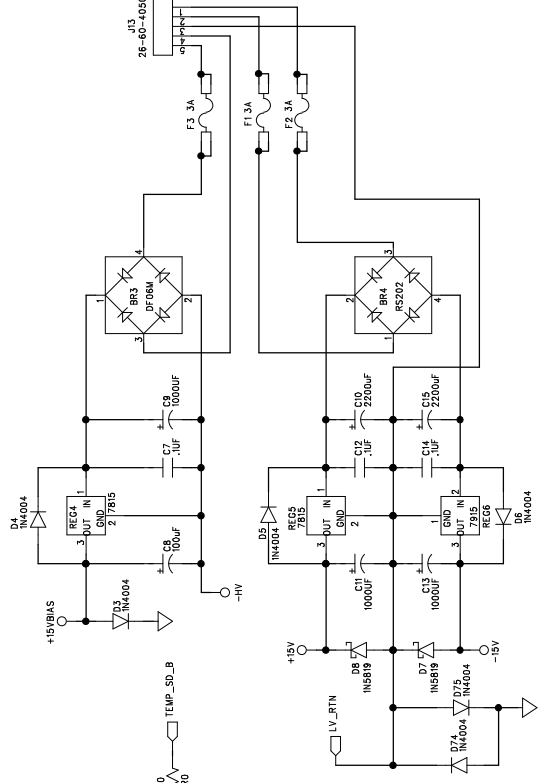
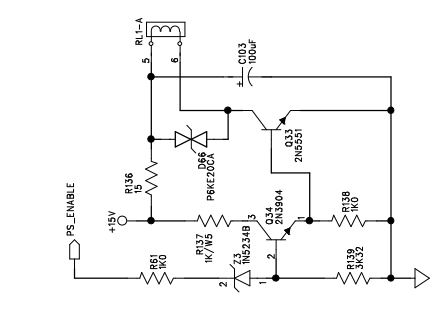
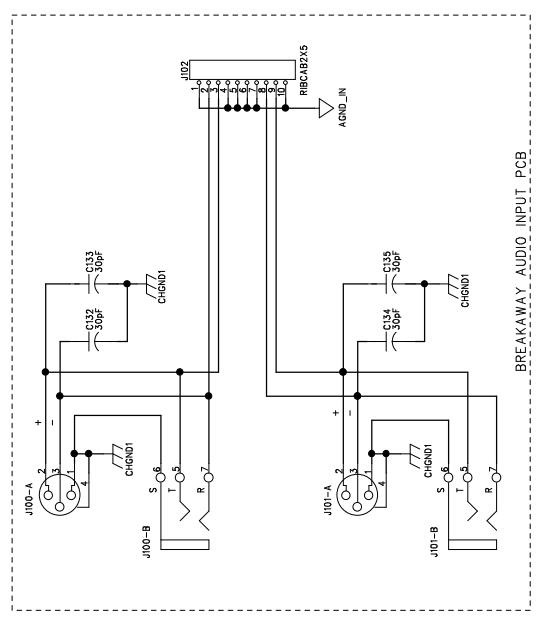
2

3

4

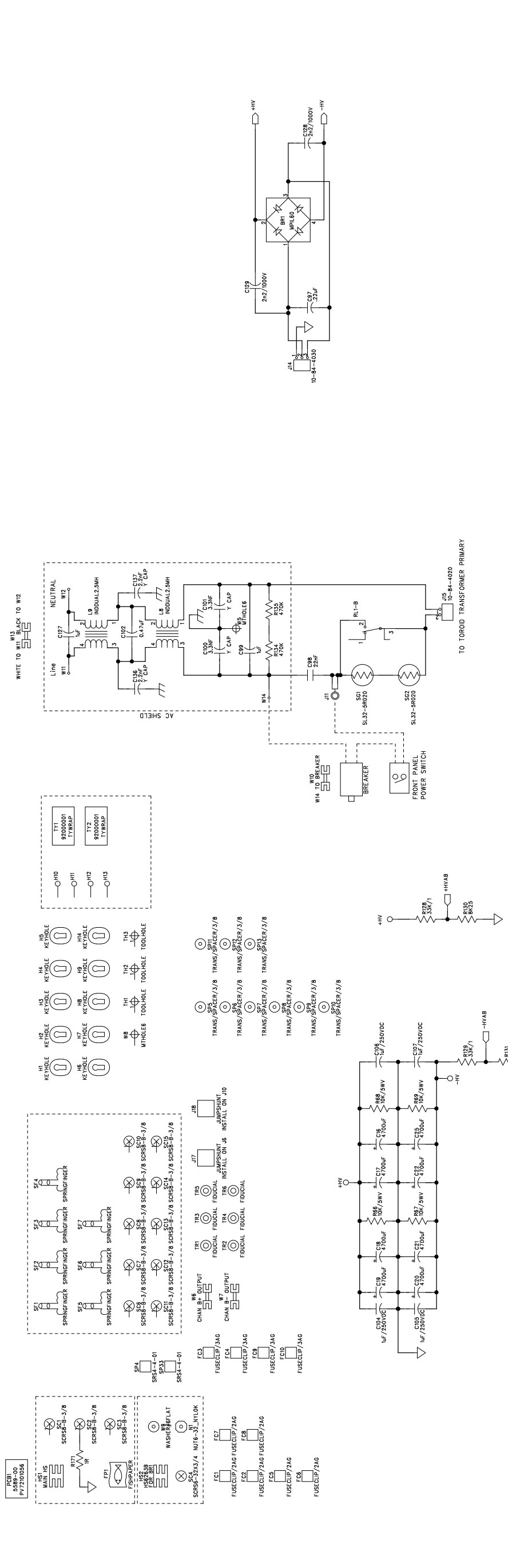
5

6



BREAKAWAY_AUDIO_INPUT_PCB

TRANSFORMER TEMPERATURE SENSE IS NORMALLY OPEN
IF CLOSURE 130 DEGREES C W/HYSTERSIS



COMPANY:	
TITLE:	CD SWITCHING AMPLIFIER
DRAWN: BE/BB	DATE: 3/03
CHECKED:	DATE:
QUALITY CONTROL:	DATE:
RELEASED:	DATE:
DRAWING NO:	21D5589
REV:	0
SCALE:	SHEET 2 OF 3

REVISION RECORD		
LTR	ECO NO.	DATE

