

REVISION RECORD			
LTR	ECO NO:	APPROVED:	DATE:

D

D

C

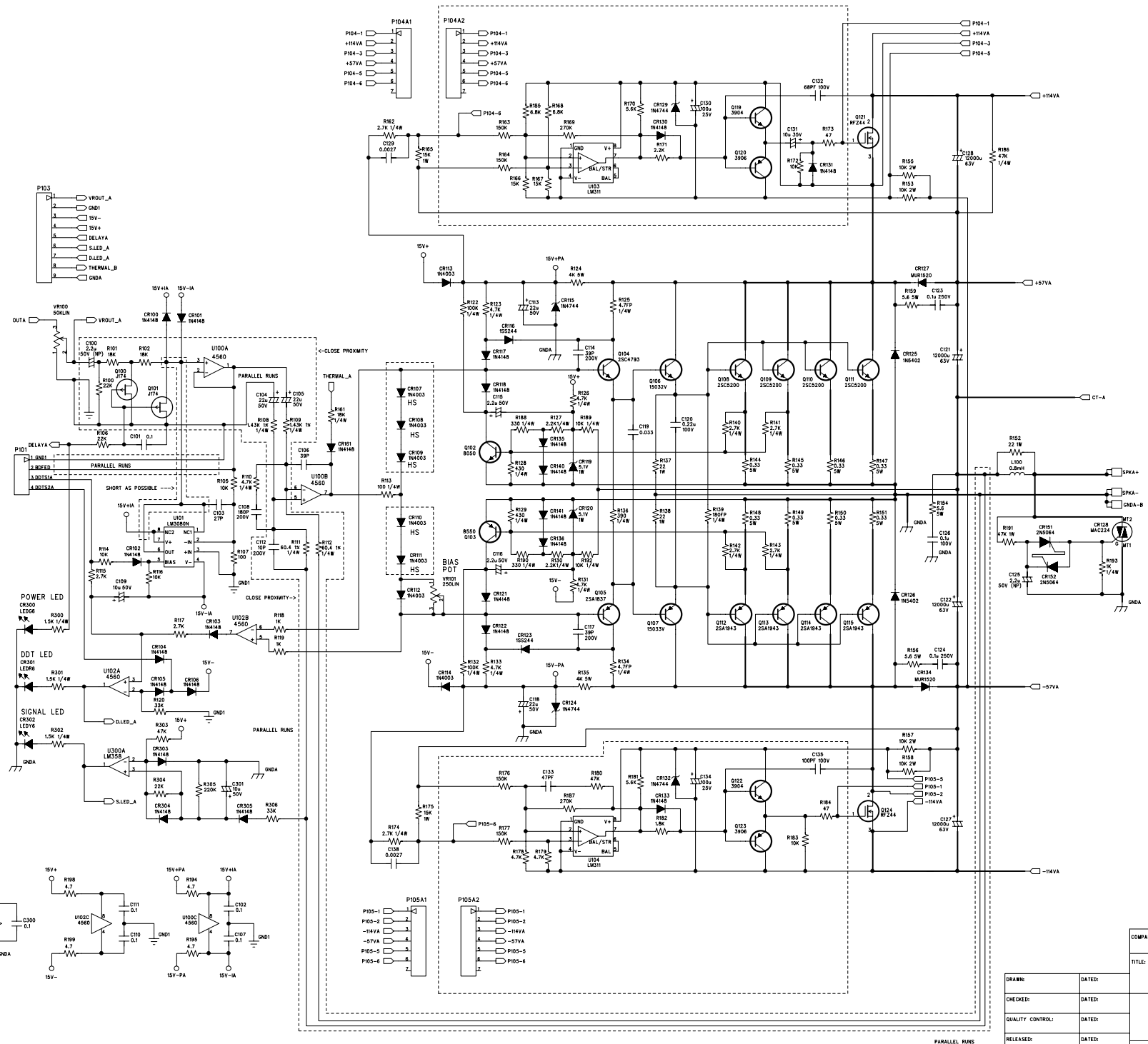
C

B

B

A

A



COMPANY:		POWER AMPLIFIER (CH. A)			
TITLE:		CODE:	SIZE:	DRAWING NO:	REV:
DRAWN:	DATED:	CHECKED:	DATED:	RELEASED:	DATED:
SCALE:	SHEET:	OF:			

REVISION RECORD			
LTR	ECO NO:	APPROVED:	DATE:

D

D

C

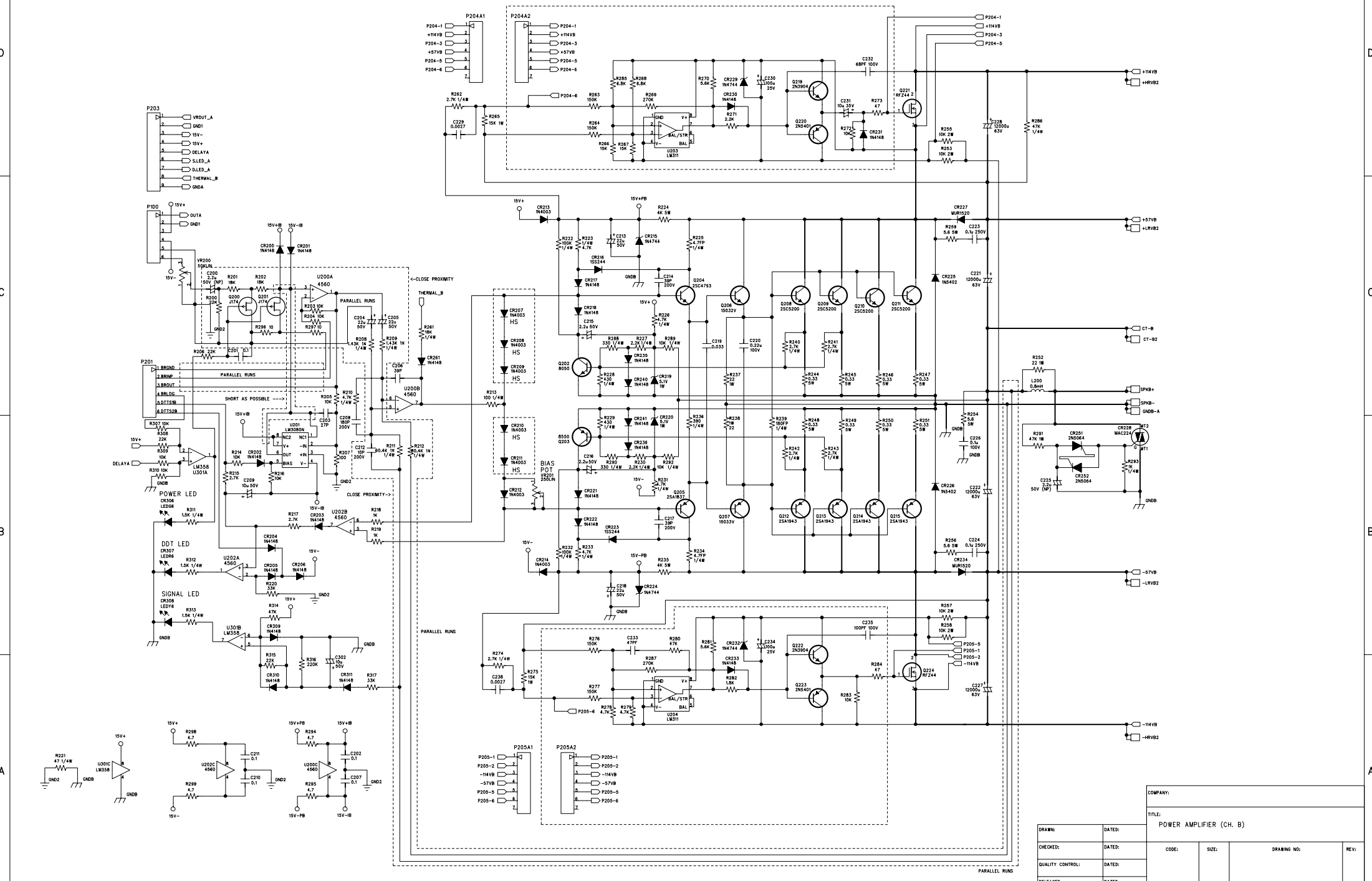
C

B

B

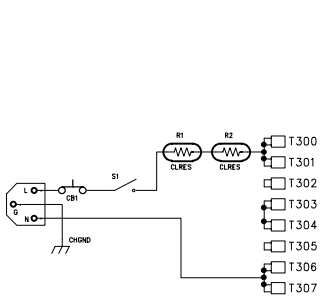
A

A

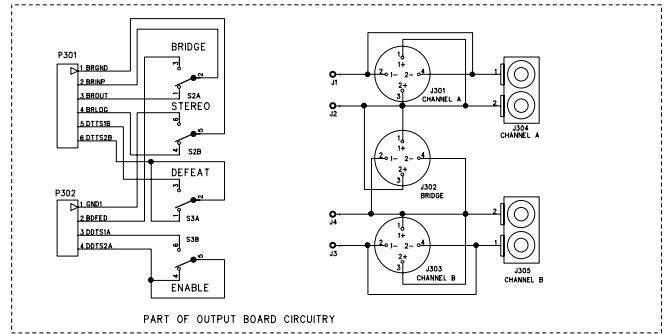
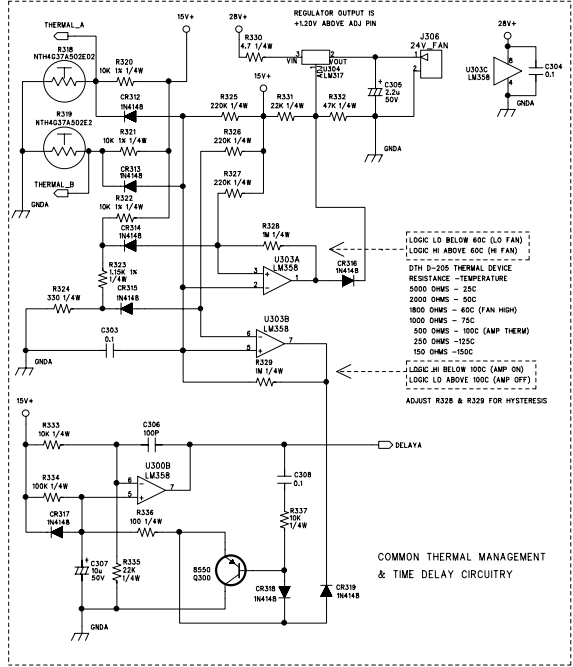
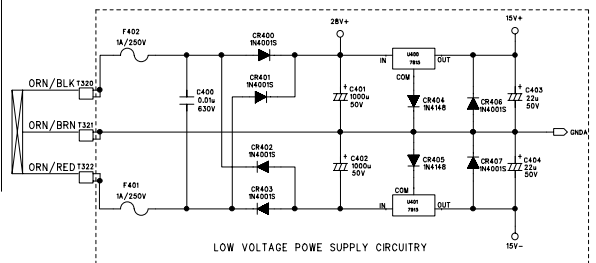
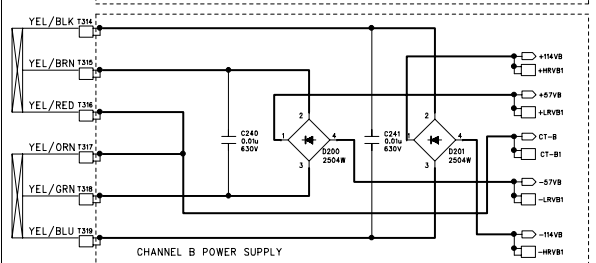
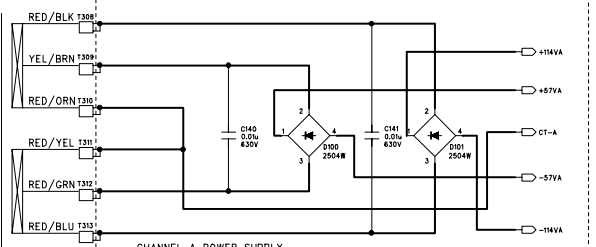
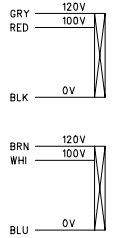


COMPANY:		TITLE: POWER AMPLIFIER (CH. B)			
DRAWN:	DATE:	CODE:	SIZE:	DRAWING NO:	REV:
CHECKED:	DATE:				
QUALITY CONTROL:	DATE:				
RELEASED:	DATE:	SCALE:		SHEET: OF	

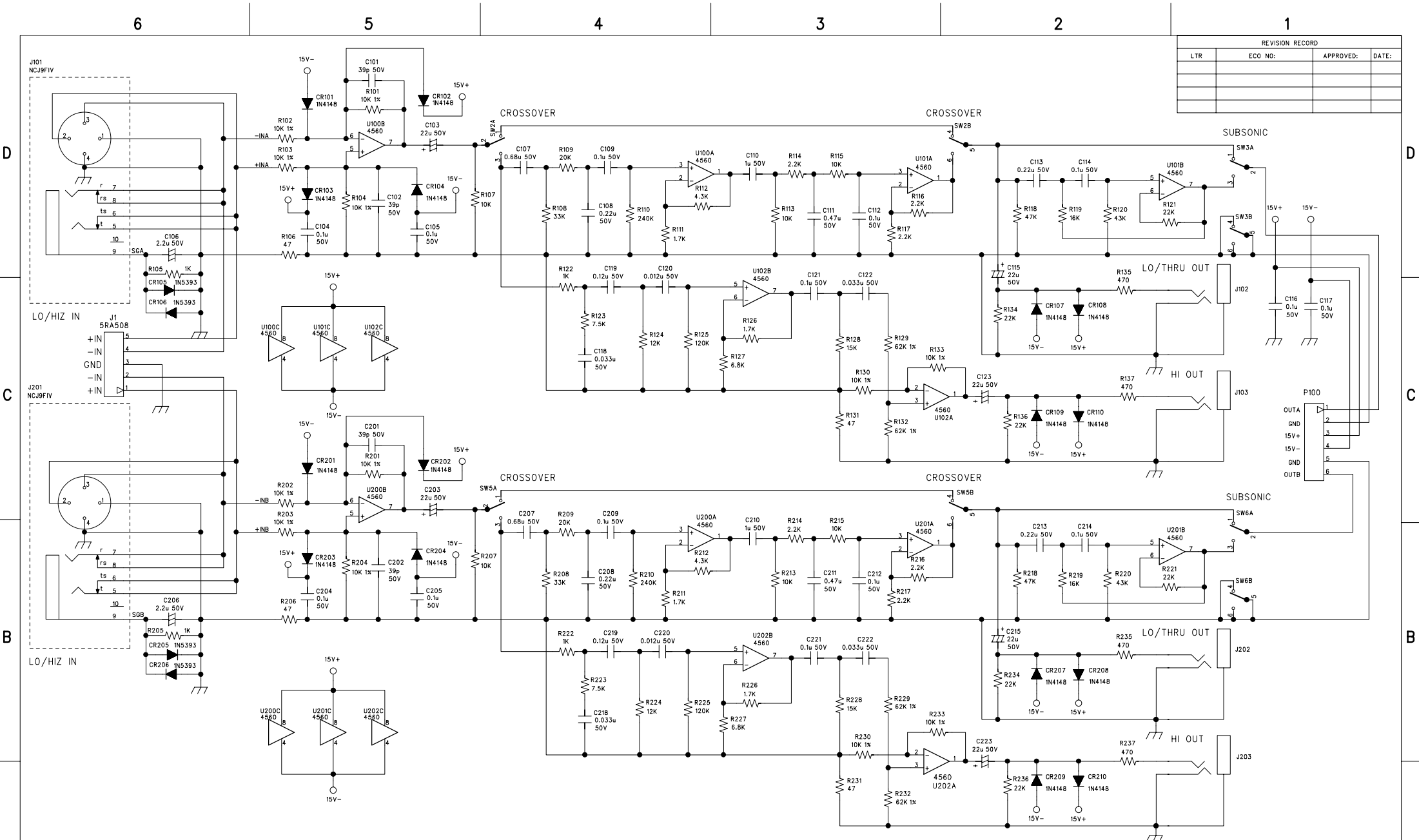
REVISION RECORD			
LTR	ECO NO:	APPROVED:	DATE:



MAINS SELECT		
240V	120V	100V
PRIMARY LEADS		
GRY	GRY	RED
-	BRN	WHI
RED	RED	GRY
BLK	-	-
BRN	-	-
WHI	WHI	BRN
-	BLK	BLK
BLU	BLU	BLU
CIRCUIT BREAKER		
7.5A	15A	15A
250V	125V	125V
SURGE LIMITER		
15A	30A	30A
2 ohm	1 ohm	1 ohm



DRAWING:		DATED:		COMPANY:	
CHECKED:		DATED:		TITLE: POWER AMP (OUTPUT, POWER SUPPLY, COMMON THERMAL MANAGEMENT & TIME DELAY CIRCUITRY)	
QUALITY CONTROL:		DATED:		CODE:	SIZE:
RELEASED:		DATED:		DRAWING NO:	REV:
SCALE:				SHEET: OF	



REVISION RECORD			
LTR	ECO NO:	APPROVED:	DATE:

COMPANY: ORIENT POWER MULTIMEDIA LTD.

TITLE: CROSSOVER

DRAWN:	DATED:	CODE:	SIZE:	DRAWING NO:	REV:
CHECKED:	DATED:	PV-1500			A
QUALITY CONTROL:	DATED:				
RELEASED:	DATED:				