

6

5

4

3

2

1

REVISION RECORD			
LTR	ECO NO:	APPROVED:	DATE:

D

D

C

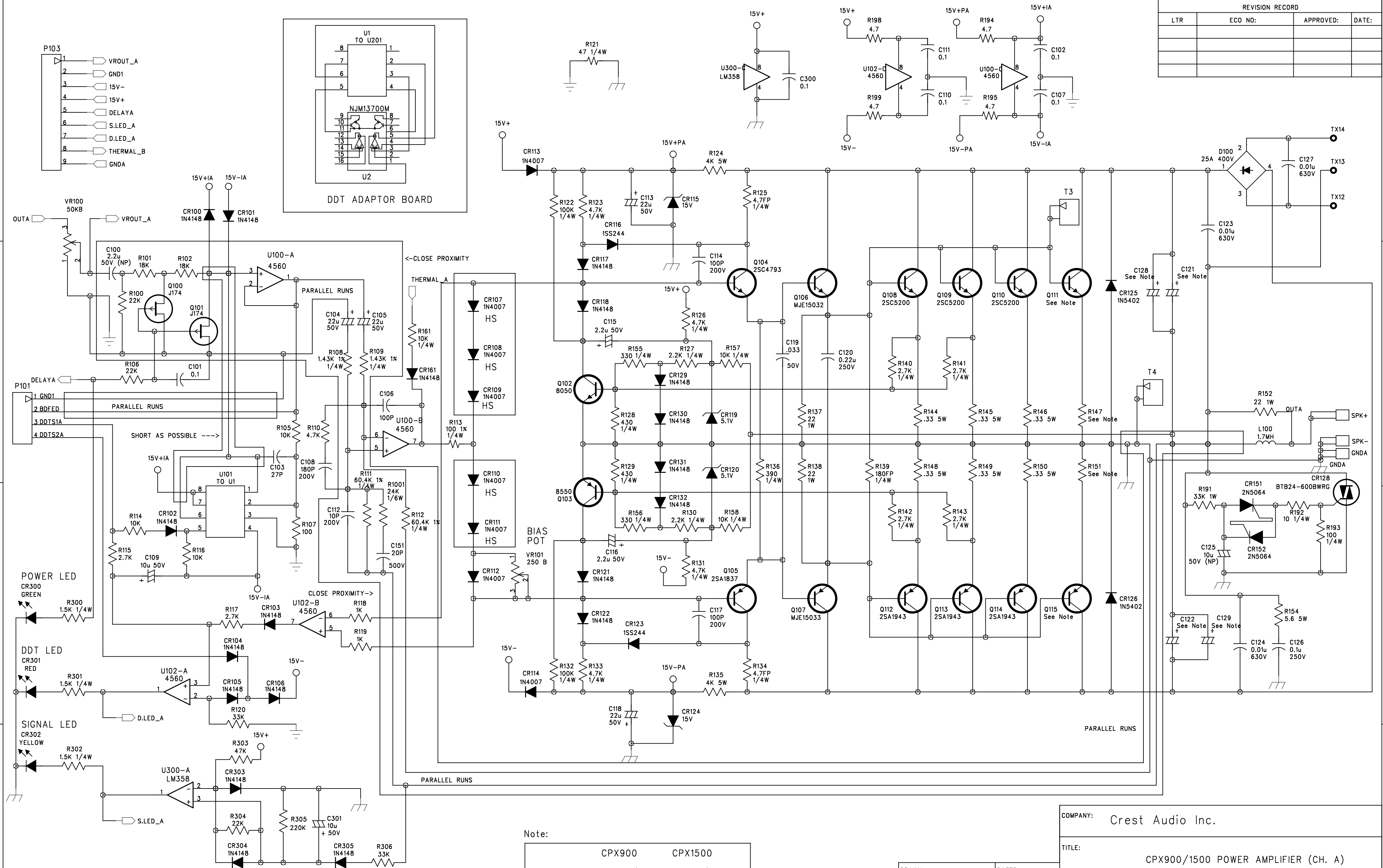
C

B

B

A

A



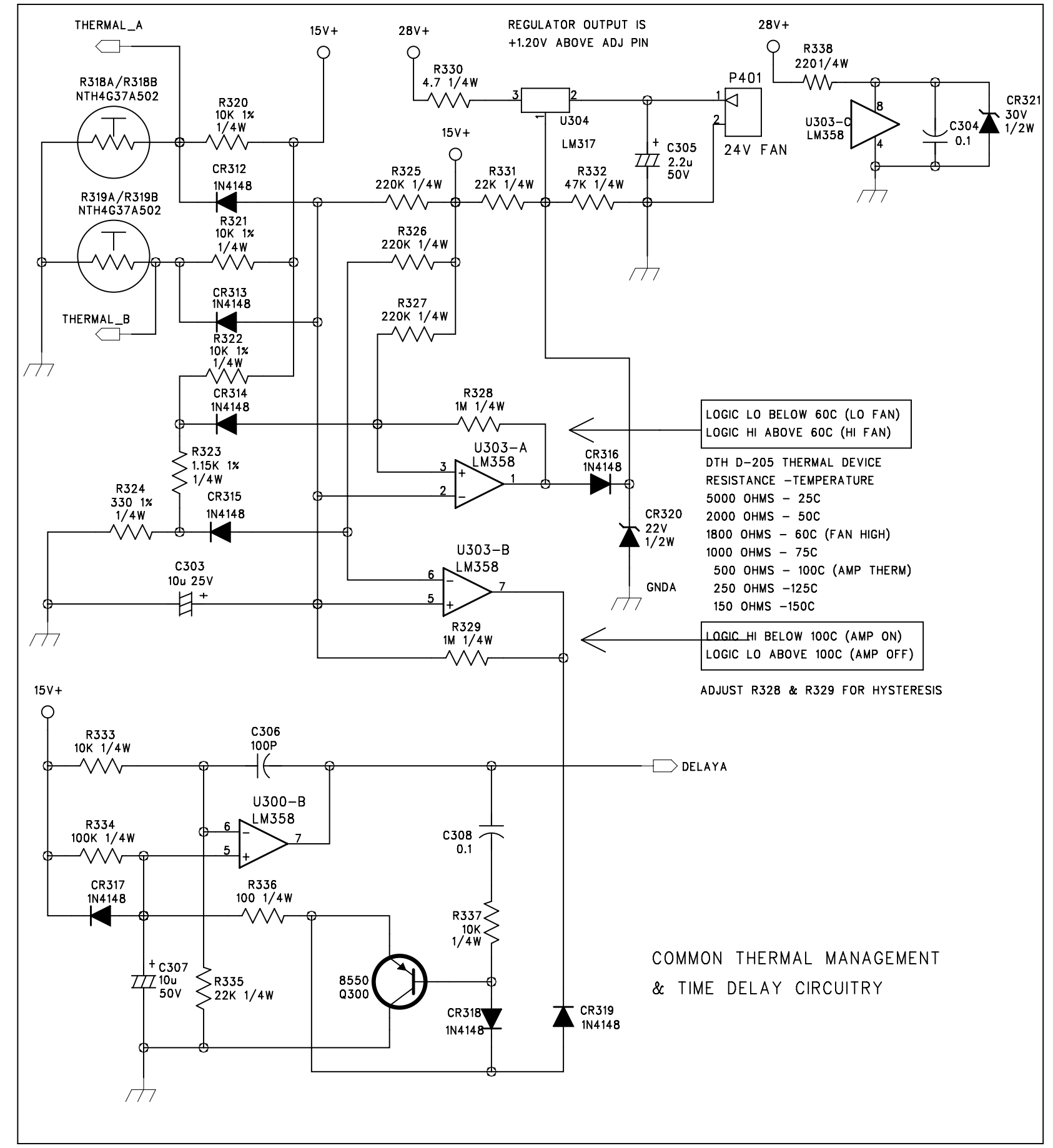
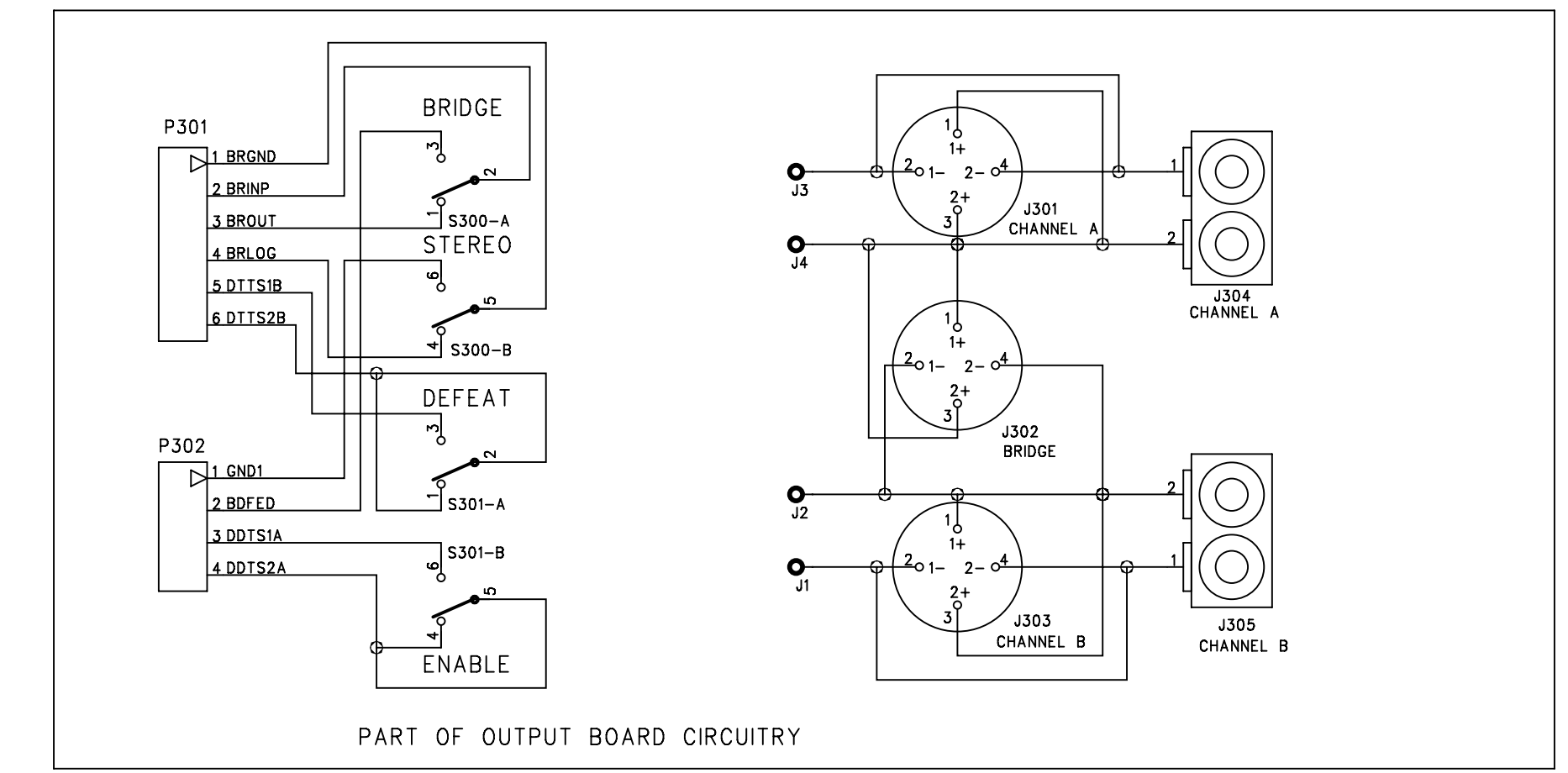
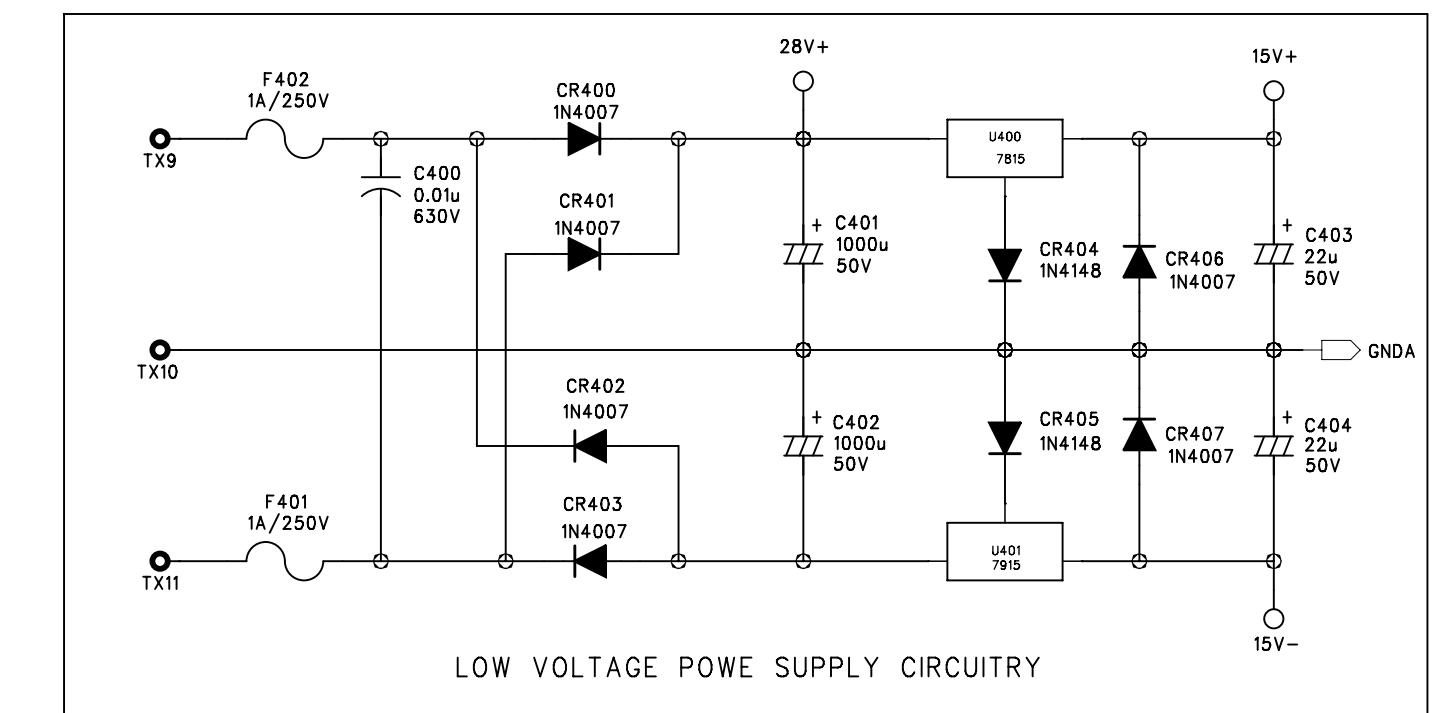
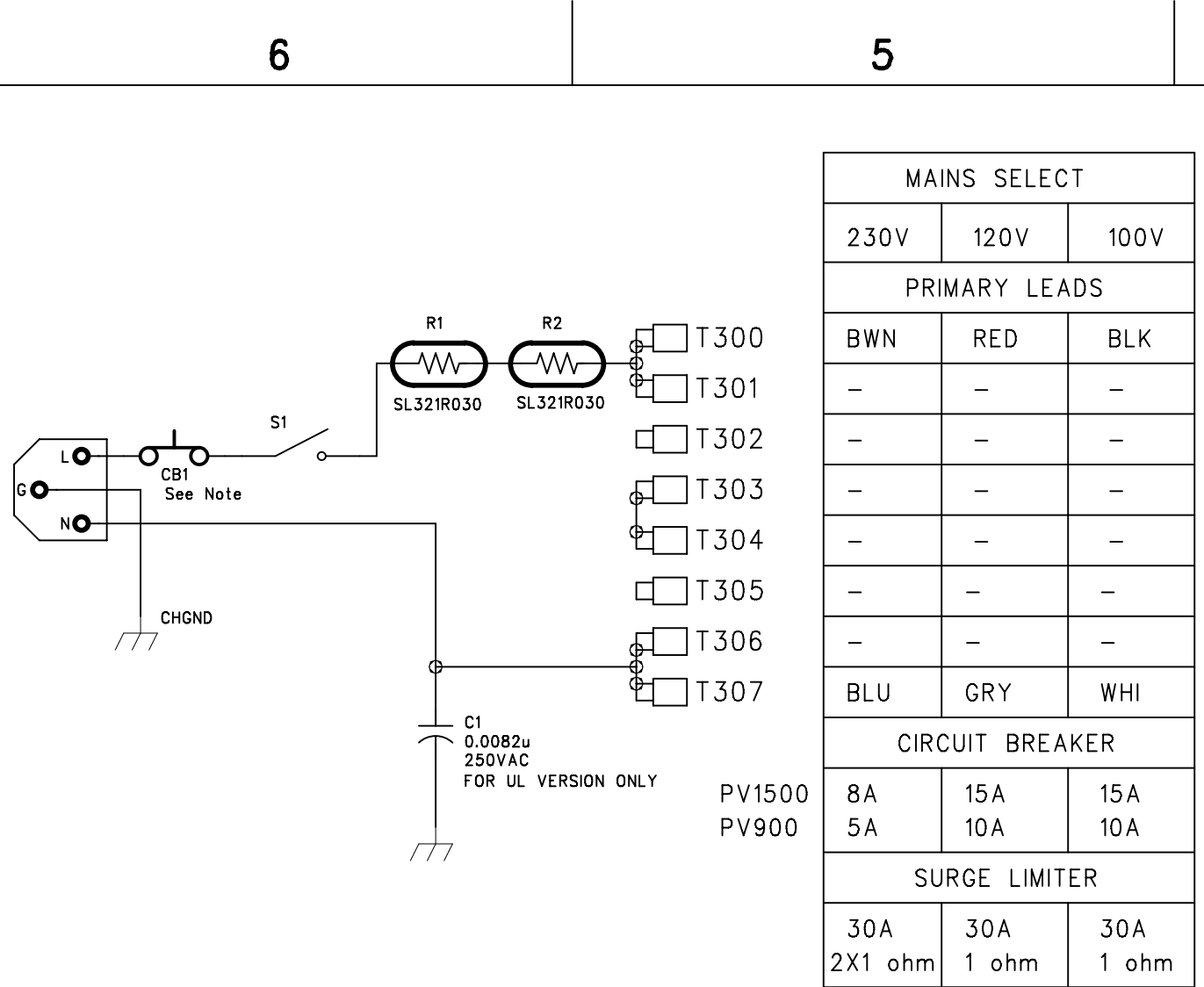
Note:

C121	C122	4700u/80V	3300u/100V
C128	C129	N.I.	3300u/100V
Q111		N.I.	2SC5200
Q115		N.I.	2SA1943
R147	R151	N.I.	.33 5W

COMPANY: Crest Audio Inc.			
TITLE: CPX900/1500 POWER AMPLIFIER (CH. A)			
CODE:	SIZE:	DRAWING NO:	REV:
CPX-1500			A
SCALE:			SHEET: 2 OF 4

DRAWN:	DATED:
CHECKED:	DATED:
QUALITY CONTROL:	DATED:
RELEASED:	DATED:

REVISION RECORD			
LTR	ECO NO:	APPROVED:	DATE:



COMPANY: Crest Audio Inc.

TITLE: CPX900/1500 POWER AMP (OUTPUT, POWER SUPPLY, COMMON THERMAL MANAGEMENT & TIME DELAY CIRCUITRY)

DRAWN:	DATED:	CODE:	SIZE:	DRAWING NO:	REV:
CHECKED:	DATED:	CPX-1500			A
QUALITY CONTROL:	DATED:				
RELEASED:	DATED:				

SCALE: SHEET: 4 OF 4

6

5

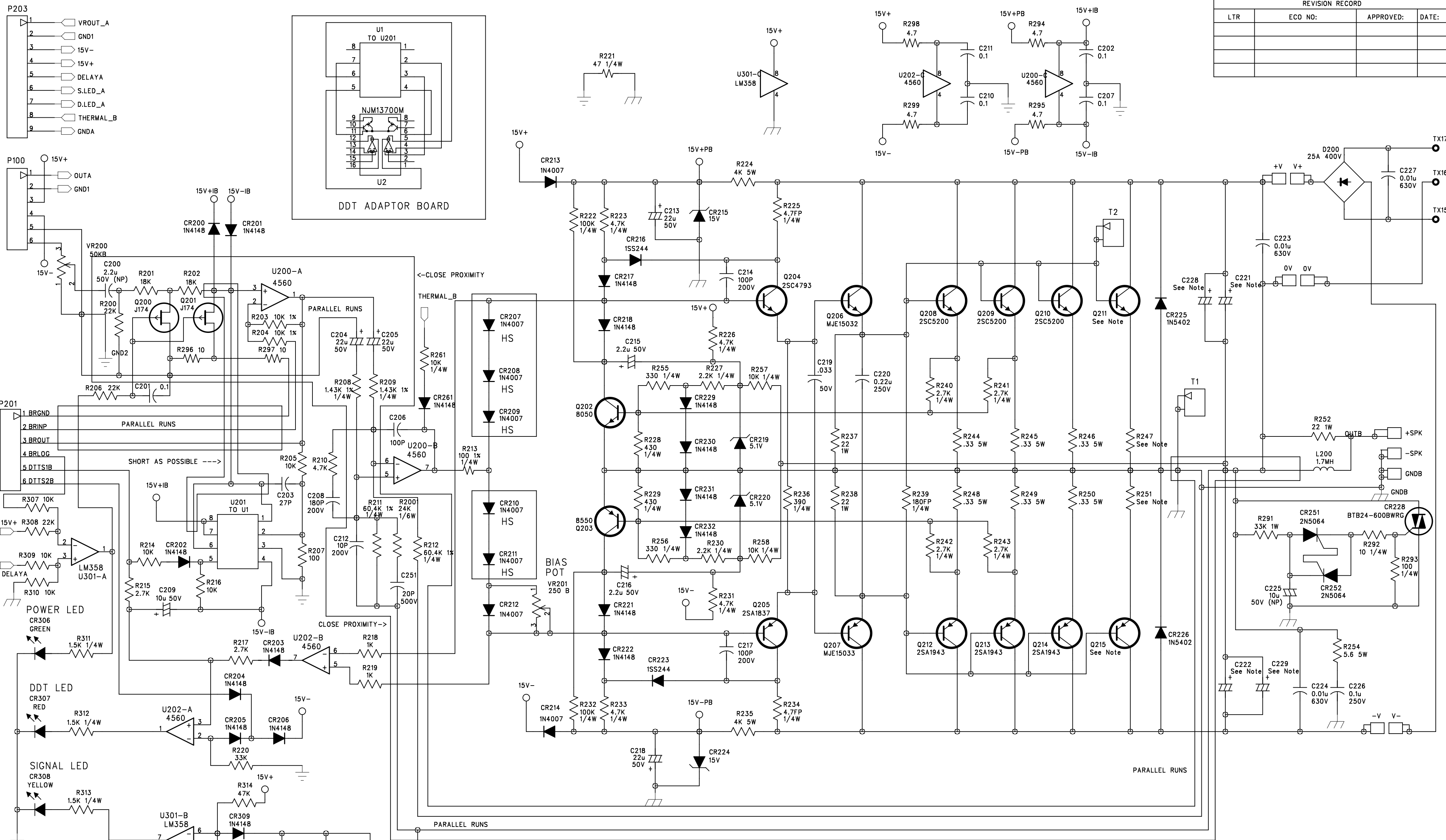
4

3

2

1

REVISION RECORD			
LTR	ECO NO:	APPROVED:	DATE:



Note:

C221	C222	4700u/80V	3300u/100V
C228	C229	N.I.	3300u/100V
Q211	N.I.		2SC5200
Q215	N.I.		2SA1943
R247	R251	N.I.	.33 5W

COMPANY: Crest Audio Inc.

TITLE: CPX900/1500 POWER AMPLIFIER (CH. B)

CODE:	SIZE:	DRAWING NO:	REV:
CPX-1500			A

SCALE: SHEET: 3 OF 4

DRAWN:	DATED:
CHECKED:	DATED:
QUALITY CONTROL:	DATED:
RELEASED:	DATED:

D

D

C

C

B

B

A

A