

# Professional Series Power Amplifiers

- 3301
- 4601 ✓
- 4801 ✓
- 6001 ✓
- 7001

## Service Manual

CREST AUDIO INC., 100 Eisenhower Drive, Paramus, New Jersey 07652 USA  
☎ (201) 909-8700 FAX (201) 909-8666

CREST AUDIO EUROPE., 5a Wilbury Grove, Hove, East Sussex BN3 3JQ England  
☎ 44+(0)273-325840 FAX 44+(0)273-775462

CREST AUDIO ASIA., 6001 Beach Road #17-03, Golden Mile Tower, Singapore 0719  
☎ 65+(0)295-2328 FAX 65+(0)295-4707

Release 1.1 4/93 Domestic

1009/1088/1092/1065 71



This symbol, a lightning flash with arrowhead within an equilateral triangle, appears on the amplifier chassis to warn the user that uninsulated “dangerous voltages” are present within the enclosure that may pose a risk of electric shock.



This symbol, an exclamation point within an equilateral triangle, appears on the amplifier chassis to warn the user to follow important operating procedures and precautions detailed in the user manual.

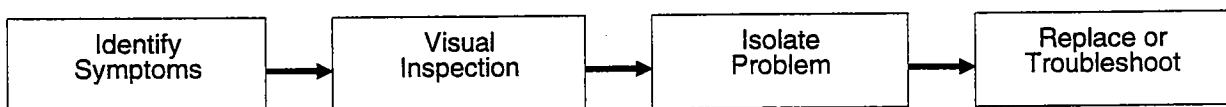
This manual and the procedures detailed within are intended for qualified technicians only! There are potentially lethal voltages present within an audio power amplifier, and it is the responsibility of the technician to exercise common safety practices to protect himself, his co-workers, and the end user.

In particular, always exercise caution when working on an amplifier with the chassis cover removed. Do not leave it unattended while it is connected to the AC mains. Never expose the amplifier or your test equipment to rain or moisture, and never work on an amplifier while you are standing in, sitting in or otherwise in contact with, rain or moisture. Before starting any repair or troubleshooting procedure, read and understand completely the instructions for the procedure.

# 1 INTRODUCTION

This service manual includes tests, calibrations, schematics, a full parts list/order form, and troubleshooting tips to assist you in the repair and maintenance of Crest Audio Pro series 3301, 4601, 4801, 6001, and 7001 amplifiers.

The first step in troubleshooting is to identify the symptom. The next step is a complete visual inspection. You may isolate the problem, trace it to a module, and swap it with a good module or continue troubleshooting down to component level. If you follow this manual step-by-step it will be that easy. Good luck!



## Glossary

Following is a list of terminology used in this manual.

<b>Board</b>	A printed circuit board, or “PCB.”
<b>Chassis</b>	The steel case or frame in which the modules, transformer, etc. are mounted.
<b>Harness</b>	This term refers to all the wires, as a whole, which interconnect the boards carrying specific voltages, signals etc.

<b>Rail</b>	A supply voltage, positive or negative, for a given section of circuitry. Class AB amplifiers utilize one bipolar pair of rails and Crest <del>Class H</del> amplifiers utilize two bipolar pairs of rails. In this manual the term is used mainly to describe the supplies for the power output section.
<b>Transformer</b>	Located at the front left corner of the chassis (behind the display board), it converts AC line voltage to the lower voltages used by the amplifier circuitry.
<b>IGM</b>	<i>Instantaneous Gain Modulation. Used exclusively by Crest. See Circuit Description under "Preamp board."</i>
<b>Auto Ramp</b>	See Circuit Description under "Preamp board."
<b>DC Servo</b>	See Circuit Description under "Preamp board."
<b>Class H</b>	See Chapter 2, "The Outputs."

## Circuit Boards and Descriptions

**Power Supply Board** This is the board located at the rear left corner of the chassis. This board contains the filter/reservoir capacitors, output relays and bridge rectifiers. **NOTE: On the Class AB amplifiers, models 3301 and 4601, the output relays are located on the heatsink board.** The bridge rectifiers convert the AC voltage from the secondary of the transformer to a pulsating DC voltage, which is then filtered by the filter/reservoir capacitors and converted to a smooth DC voltage for the amplifier's rails.

**Display Board** This board is mounted at the front left corner of the chassis. It contains the following sections of circuitry:

**LED Status Display** - A channel's *Active LED* lights when the amplifier is on and the channel is not in a protection mode. The channel's *Temp/DC LED*, on the other hand, lights if the channel is in the protect mode. (A channel goes into protect when its temperature is excessive or when it has DC or excessive subsonic energy at its output; the protect mode shuts the channel off by opening its output relay, thus disconnecting the loudspeaker.) The *Signal LED* lights as long as an audio signal is present at the output of the channel's output module. The *Clip/Limit LED* lights if the channel output clips or if its IGM or clip limiting is activated.

**Temperature Sense** - During normal operation, the heatsink temperature is below 75°C and so the output voltage from the heatsink temperature sensor is less than 0.75 volt DC; pin 7 at IC1B is high and it switches transistor Q5 on to activate the output relay and turn the Active LED on. When the heatsink temperature rises above 75° C, the temperature sensor output is greater than 0.75 volt; pin 7 at IC1B goes low and turns Q5 off, opening the output relay and turning the Temp/DC LED on.

**DC Protect** - Designed to protect loudspeakers, this circuit opens a channel's output relay if it detects a DC voltage or excessive subsonic energy on its output.

If a channel has a DC voltage greater than 0.1 volt on its output, a triac (TR1 for Channel A and TR2 for Channel B) turns on, which opens its output relay and disconnects the load.

**Attenuators** - These are the two 5K potentiometers used for adjusting the input level. They are mounted on the display board located behind the left end of the front panel. VR1 controls Channel A and VR2 controls Channel B.

## Fan Driver Board

**NOTE:** The Crest Audio Professional Series Amplifiers discussed in this manual use *variable speed fan circuitry*. This board is located in the center of the amplifier between the power transformer and the output modules. It is mounted on a metal shield.

Powered by the display board, this circuitry determines the speed of the fan. Anytime the amplifier is in protect mode or if the temperature sensor is disconnected, the fan(s) will run at its (their) highest speed. During normal operation the fan(s) will run at a slower speed. With respect to ground, the voltage regulator IC1 (LM317T) will read approximately 25 volts DC at pin 3 when the fan(s) is/are running at the highest speed. During normal operation pin 3 of IC1 will read approximately 14 volts DC.

The fan speed will increase linearly with the temperature.

**NOTE:** On model 4801, the fan driver circuitry is located on the Power Supply Board.

## Heatsink Board

These two boards, one per channel, contain the output transistors and their support circuitry (bias, Class AB or H, temp. sensing etc.) and are located on the right side of the amplifier chassis. Each is mounted to an aluminum heatsink. (See Figure 1-1.)

## Preamp Board

These two boards, one per channel, mate to the Heatsink Boards via a 17-pin Molex connector, a metal shield, and mounting screws (see Figure 1-1). There are two main versions of the Preamp Board: The older versions (before June 1991; serial numbers 9106XXX and earlier) used a 6-pin Clairex CLM 5010 optocoupler for IGM current limiting and have a board identification number with the prefix 845. The newer version uses an NE5517AN operational transconductance amplifier (OTA) in place of the optocoupler and has a board identification number with the prefix 26C1124 (from July 1991; serial numbers 9107XXX and later).

The Preamp board contains the following circuitry:

**IGM (Instantaneous Gain Modulation)** - This circuit, developed and used exclusively by Crest, allows the amplifier to operate safely into any load. When the amplifier sees a load condition that overstresses the output stage, IGM attenuates the input thus reducing the output to a safe level. In amplifiers manufactured before June 1991, the IGM circuit uses a Clairex CLM5010 optocoupler (or *opto* for short), shown on the

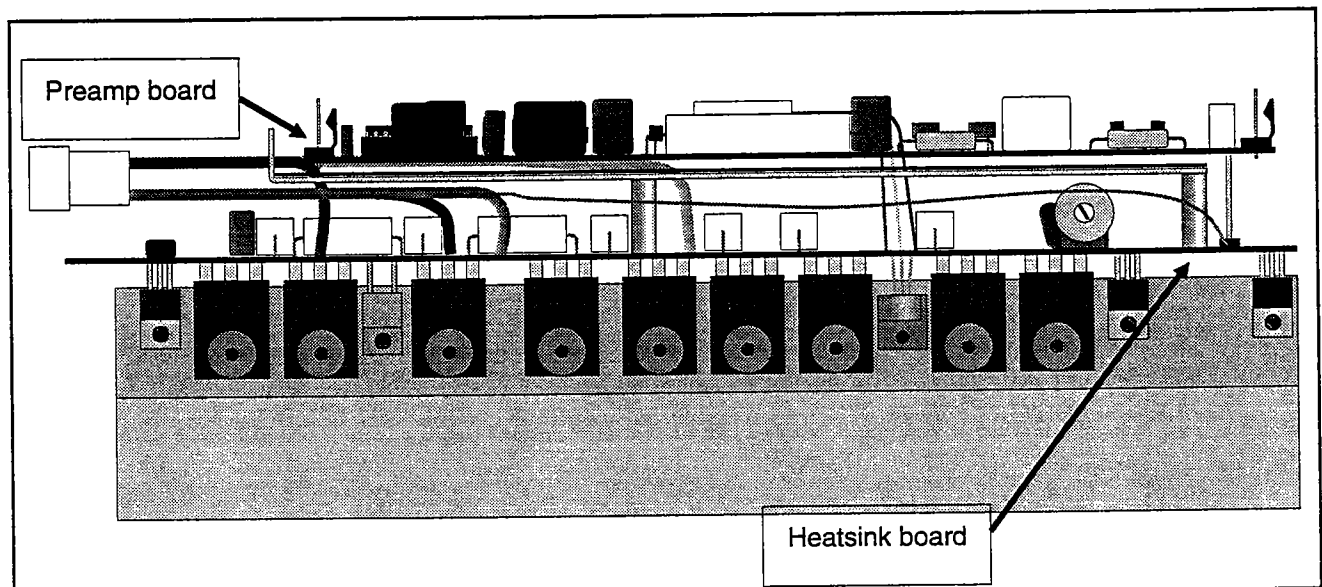


Figure 1-1 - Output Module

circuit diagrams as OC1. In amplifiers manufactured after June 1991, the circuit uses IC4, an operational transconductance amplifier, or OTA.

**Auto Ramp** - This circuit, consisting primarily of Q1, Q2, and Q3, mutes the input signal at power-up by activating the OTA or opto for full attenuation. Once the output relays close, the Auto Ramp circuit slowly releases the signal, "ramping" it up to full gain.

The Auto Ramp circuit will activate any time the relays open or the amplifier goes into a protect mode.

**Clip Limit** - This circuit prevents the amplifier from being driven into hard clipping. By sensing when the output voltage approaches the rail voltages, IC3D activates the OTA or opto to reduce the gain until the amplifier is no longer clipping.

**DC Servo** - This circuit provides a negative feedback for any DC offsets present, thus canceling them out. The components that make up this circuit are IC2A, R18, R17, and C9 on the newer style Preamp Boards and IC2A, R45, R26, and C6 on the older style Preamps.

The amplifier **Front End** is a fully discrete, bipolar, complementary differential amplifier which provides drive signals with the correct DC offsets for driving the output section.

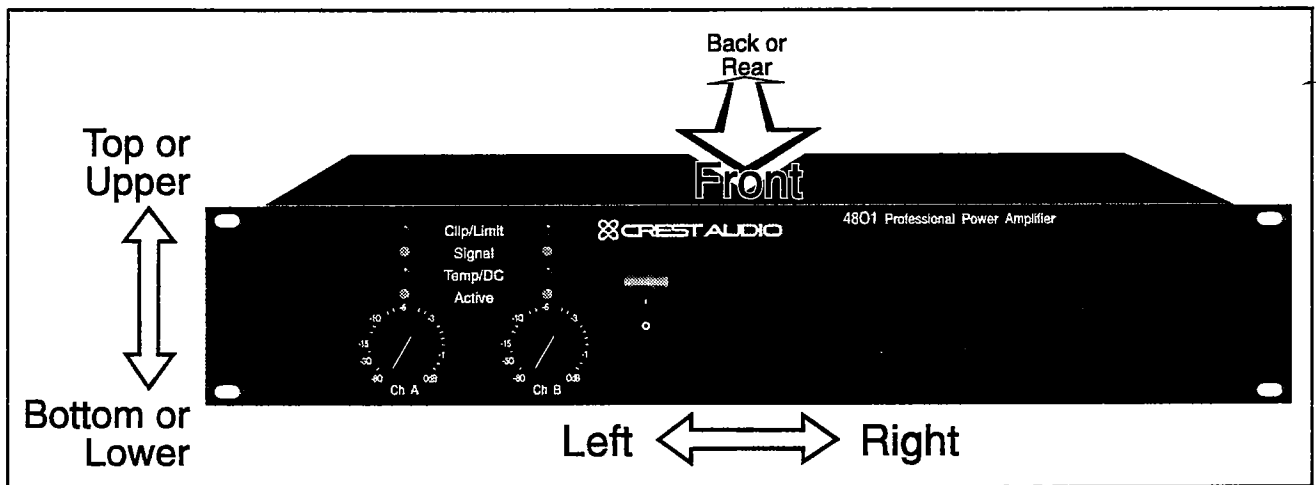


Figure 1-2 - amplifier direction

## Directions

Figure 1-2 shows the conventions used in this manual for identifying areas and locations in and on the amplifier. All references to left and right in this manual are as viewed from the front of the amplifier. For example, the attenuators or volume controls would be said to be located on the front left of the amplifier.

## 2 CIRCUIT DESCRIPTION

Crest Audio Professional Series models 3301, 4601, 4801, 6001, and 7001 amplifiers are fan-cooled and use bipolar output transistors. Physically, they are two rack spaces (3.5 inches; 8.89 cm) high and feature a heavy duty folded and welded steel box-type chassis with a removable top cover.

A rear-mounted cooling fan (two on the 4601 & 7001) draws cooling air in and pressurizes the chassis. Directly in front of the fan(s) are the two output module heatsinks, which lie back-to-back to form a "tunnel." Because the air pushed from the fan does not have to change direction abruptly or flow around any obstructions, the airflow remains relatively laminar (that is, free of turbulence), which minimizes back pressure and enhances efficiency. Small ridges in the heatsink surface, as well as mounting screws protruding into the cooling airflow, induce microturbulence to ensure good heat transfer along the length of the heatsink. The air from the output module heatsinks exhausts through the front panel slots. An array of small exhaust holes at the front of the left side side of the chassis allows some cooling airflow for the power transformer and the power supply. A temperature sensing circuit, with a sensor on each module, monitors the temperatures of both heatsinks. This circuit drives the cooling fan(s) and varies the fan speed in proportion to the amount of cooling required. On the 4801, this circuit is on the power supply board, but on the 3301, 4601, 6001, and 7001, this circuit is on a separate board mounted on a shield between the power transformer and the output modules.

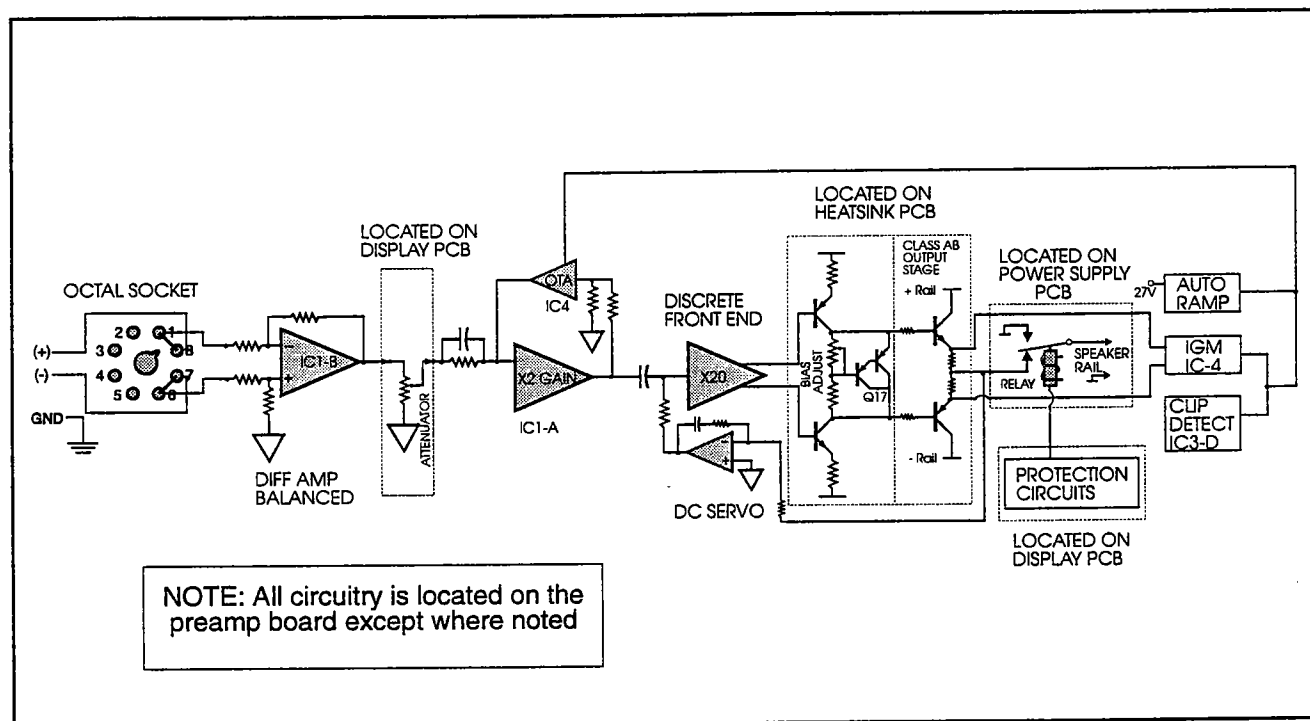


Figure 2-1. Amplifier block diagram

### The inputs

Figure 2-1 is a block diagram of the signal path, from input to output, in a Crest Audio Professional Series amplifier.

Crest Audio Professional Series amplifiers use female XLR connectors on the rear panel for inputs. Pin 1 on each XLR is signal ground, pin 2 is the inverting input and pin 3 the non-inverting, or "hot," input. From the XLRs, the input signals are routed through the octal accessory sockets, which are also mounted on the rear panel. If no accessories are being used in the sockets, small jumpers must be used to connect pin 1 to pin 8 for the inverting input and pin 6 to pin 7 for the non-inverting input. These jumpers are factory-installed. If they are lost or damaged you can make new ones from #10 AWG (4 mm) solid, tinned copper wire or order the Crest authorized replacement parts from the factory.

After the octal accessory sockets, the signal continues to the mode select switch. This switch, located just above the input connectors, sets the amplifier to one of three operating modes: "stereo," "parallel," or "bridged." The "stereo" mode is normal two-channel operation, in which a signal at Channel A's input produces an analogous amplified signal at Channel A's output, and likewise, a signal at Channel B's input produces an amplified signal at Channel B's output. In "parallel" operation, both outputs are driven from Channel A's input; Channel B's input is unused. **NOTE: Parallel mode does not imply that the outputs of the amplifier can be wired in parallel!!** In "bridged" operation, both outputs are also driven from Channel A, except that the mode switch reverses the polarity of the signal going into Channel B's circuitry; this makes the two channels work in opposition, effectively making the two channels into a single monaural amplifier with double the voltage swing. To "bridge", the load must be connected between Channel A and B's red output terminals. The mode select switch only acts on Channel B and never affects the signal on Channel A.

The first active circuitry in the signal path, assuming no octal socket accessories are in use, is the balanced transformerless amplifier formed by operational amplifier (op-amp) IC1B, along with five resistors (R9A, R9B, R9C, R9D, and R10 on the old version, and SIP1A, SIP1B, SIP1C, SIP1D, and R12 on the newer version implemented in late 1991), and two capacitors (old version: C3 and C4; new version: C4 and C6). Shielded-pair cable in the wiring harness carries the signal from the input board to the preamp board, where the input stage lies. Note that in this differential configuration, the non-inverting input of the power amplifier enters the inverting input of the op-amp, and vice-versa. The two paralleled resistor-capacitor pairs provide a 6-dB per octave high-frequency rolloff starting at 500 kHz to filter RF interference. Four diodes protect the input stage from excessive differential and common-mode input voltages. The input stage presents a balanced input impedance of 20 kilohms.

## In the middle

The signal leaves the preamp board and is routed to the input attenuators, or volume controls, located on the display board. It returns to op-amp IC1A, set up as a +6 dB gain stage. This is also where the clip limiting, IGM, muting, and Auto-Ramp circuits act on the signal. On the older preamp boards, the attenuation was performed by the photoresistor section of a Clairex CLM5010 opto-isolator connected across the feedback resistor R16, with the op-amp configured as an inverting amplifier. When no attenuation is taking place, the resistance of the photoresistor is high enough that it is essentially out of the circuit and thus has no effect on the signal. When clip limiting, IGM, muting, or Auto-Ramp is triggered, their respective control circuits draw current through the internal LED in the CLM5010. The light reduces the resistance of the photoresistor and thus also reduces the signal gain. On the newer preamp board version, an operational transconductance amplifier, IC4, handles attenuation when necessary by shunting some of the signal off resistor R13, which is in series with the input of IC1A, set up as a non-inverting amplifier. When the OTA receives no control current from the clip limit, IGM, mute, or Auto-Ramp control circuits, it has zero gain and draws no signal, presenting an ultra-high impedance at IC1A's non-inverting input, so the signal passes through R13 with no attenuation.

When attenuation is needed, the control current increases, in turn increasing the gain of the OTA, which lowers the impedance seen at the R13-IC1A junction. R13 and the OTA together then act as a voltage divider.

The signal is coupled through a capacitor to the junction of two resistors. One resistor sends the feedback signal from the servo circuitry, centered around op-amp IC2A. The combined audio and feedback signals continue through the other resistor into the amplifier front end, which provides the drive for the output section.

## The outputs

Amplifiers are used in many types of electronic equipment. Basically, their function is to provide gain to an input signal, but how the signal is amplified and how the amplified signal is used varies. For this reason amplifiers have been divided into several *classes of operation*. An amplifier *class* simply refers to the configuration of the power supply and the output section of the amplifier.

Crest Audio Professional Series 3301 and 4601 operate in *class AB*. The *class AB* power supply utilizes a single, bipolar DC rail (power supply voltage) configuration, one positive (+) and one negative (-). The positive rail supplies a DC voltage for the positive swing (NPN) power transistors, and the negative rail supplies a DC voltage for the negative swing (PNP) power transistors.

In *class AB*, the base-emitter junction of the transistors must be forward biased with a small DC voltage in order to reduce crossover distortion. When the bias voltage is applied, the transistors conduct allowing them to pass the full half of their respective portion of the waveform (positive or negative), thus reducing crossover distortion. In the Crest Audio Professional Series amplifiers, trimpot VR1, located on the heatsink board, is used to set the bias point.

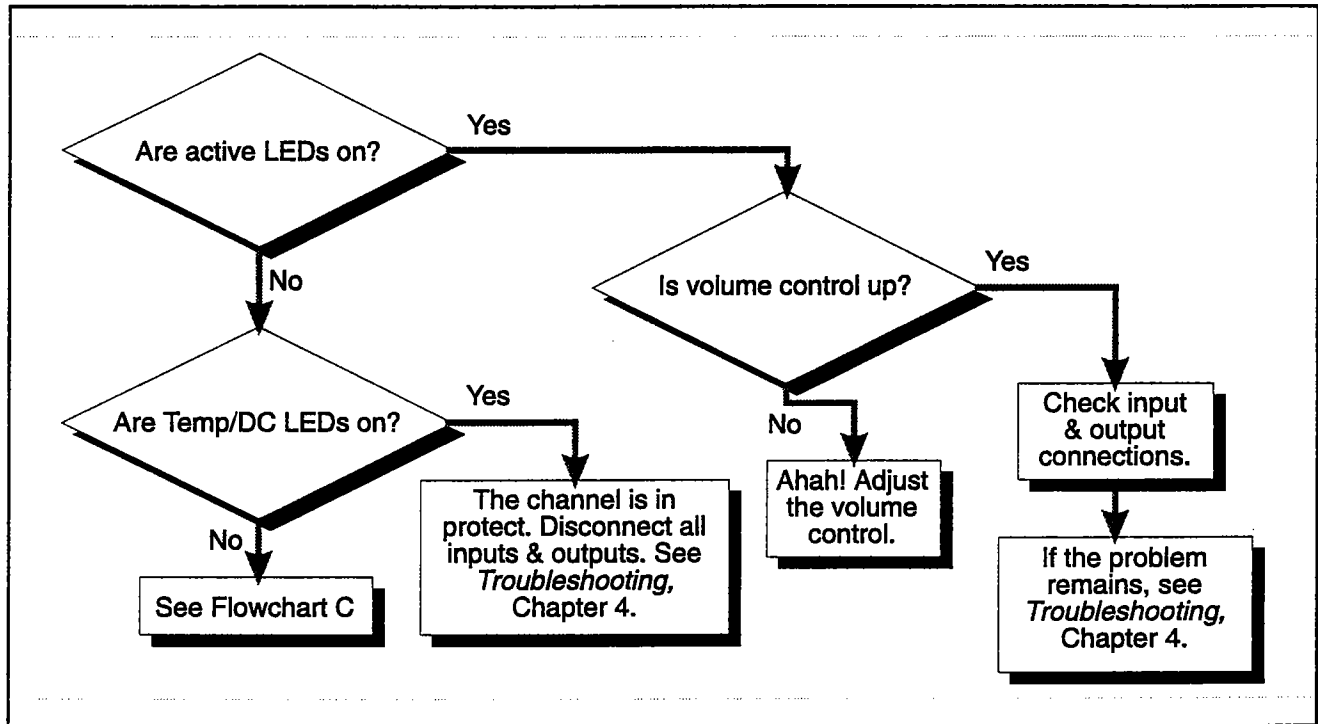
Crest Audio Professional Series 4801, 6001, and 7001 operate in *class H*. The *Crest class H* power supply utilizes a dual, bipolar DC rail configuration with low and high voltages; one positive (+) and one negative (-) low rail and one positive and one negative high rail.

Until approximately the 1/3 power point the *class H* amplifier operates as *class AB*. Beyond this output level, the high rail transistors conduct, thus modulating the low rails. This increases the efficiency of the amplifier because less power supply energy goes unused. See Figure 4-2 & 4-3 in Chapter 4 for a visual oscilloscope example of *class AB* and *class H*.

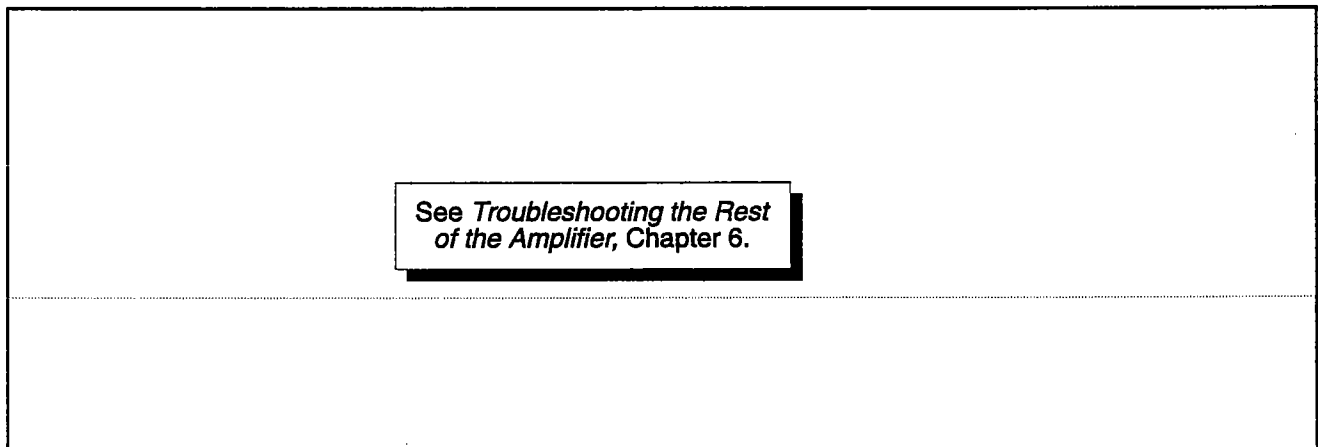


# 3 FLOWCHARTS FOR TROUBLESHOOTING

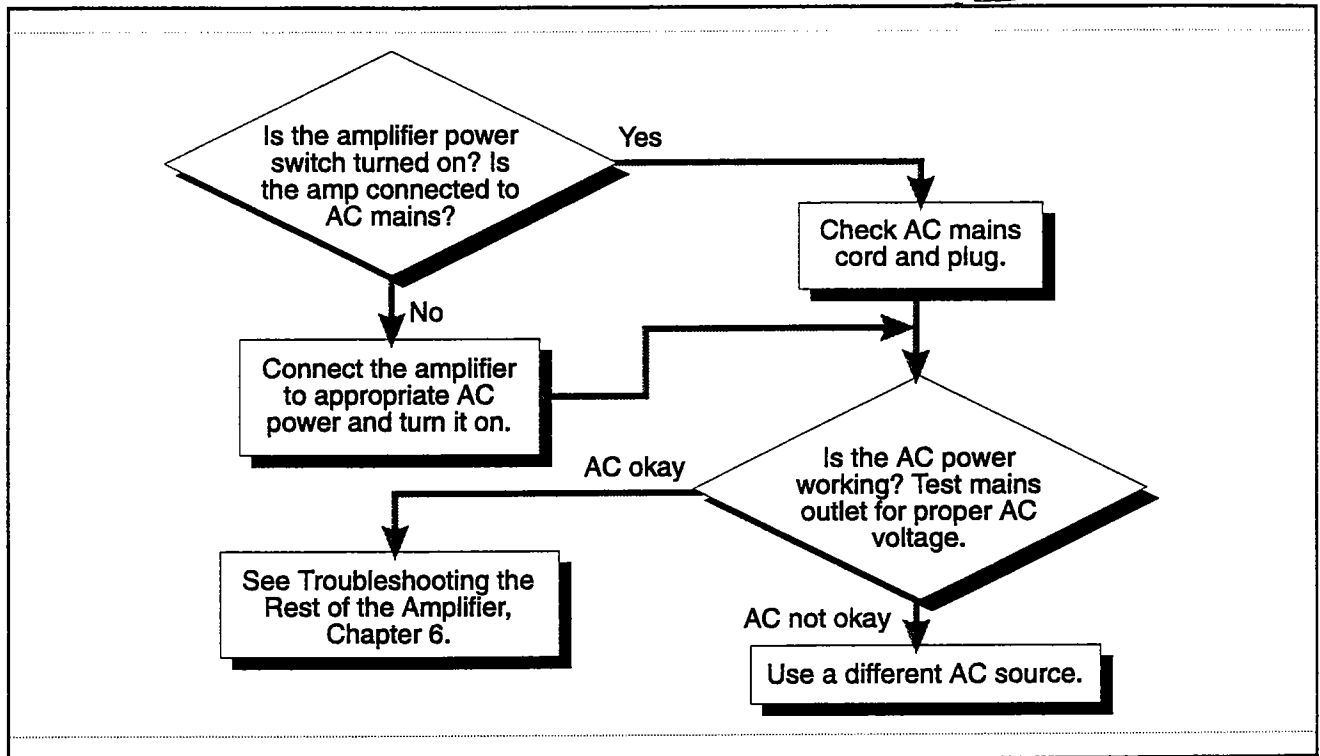
Flowchart A. Problem: No Sound



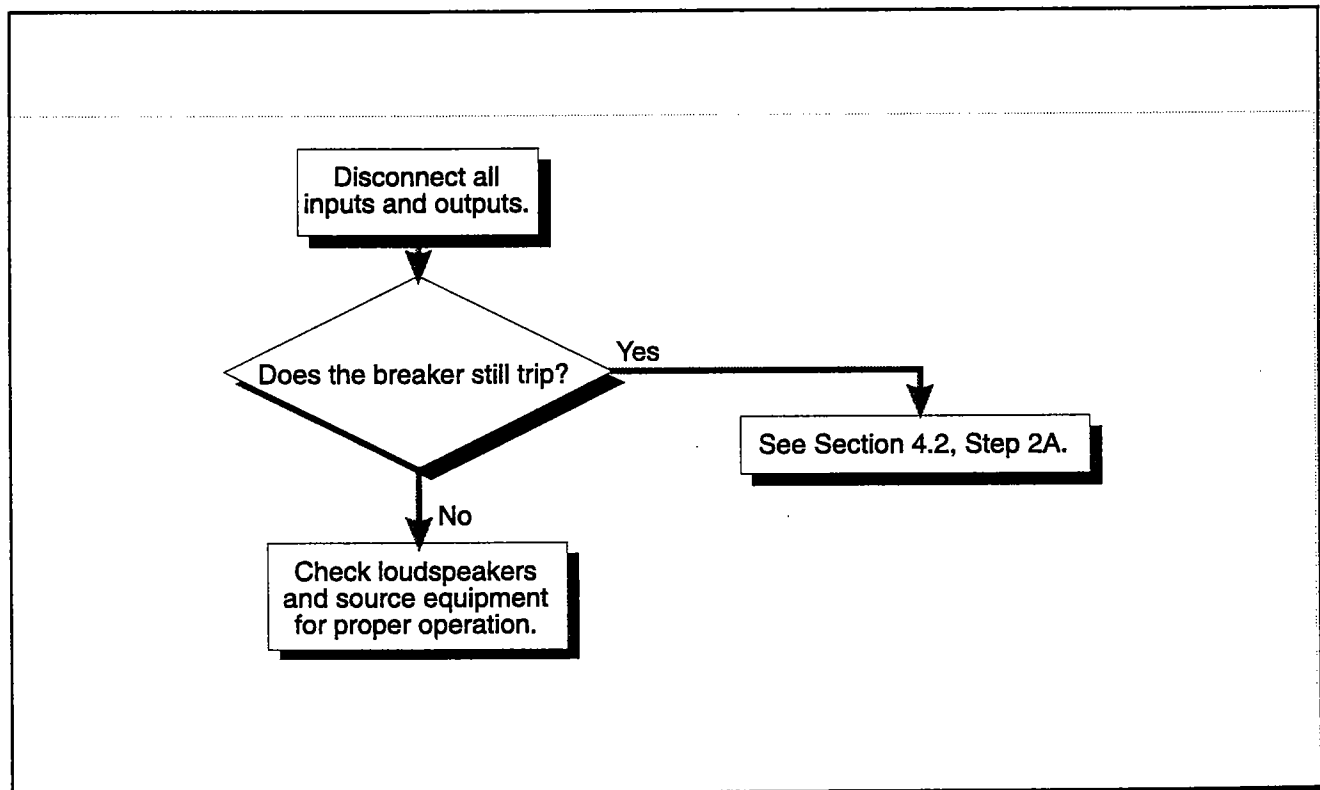
Flowchart B. Non Functioning Fan



### Flowchart C. Problem: No LEDs on either channel



### Flowchart D. Problem: Breaker trips at turn on



# 4 TROUBLESHOOTING & REPAIRING THE OUTPUT MODULES

---

## 4.1 Visual inspection

### Tools & materials needed:

- ✓ Phillips #1 and #2 screwdrivers
- ✓ Low or medium pressure compressed air, water vapor removed or compressed air in a can.
- ✓ Short, medium-bristled artists or horsehair brush
- ✓ Methanol alcohol or a non-corrosive, non-lubricant solvent.

### Setup:

- ✓ Amplifier disconnected from AC mains.

### Procedure:

- 1 Remove all of the Phillips-head top cover screws. If the amplifier has a toroidal transformer, remove the transformers upper mounting screw, which is the large Phillips-head screw toward the left side of the top cover. Remove the top cover.

***Note: Visual inspection is essential! Keep in mind that repairs may have been attempted by non-qualified persons. Also, debris may have entered the chassis through the ventilation holes during use.***

- 2 Check for dirt and debris within the amplifier. If the fan filter is in place, make sure it is clean enough to allow sufficient air flow; if necessary, wash the filter element with soap and water or, if necessary, order Crest authorized replacement filters. Use compressed air (water vapor removed) or compressed air in a can to clear dust from the heatsink fins and anywhere else in the amplifier chassis.
- 3 Check for any type of conductive debris inside the amplifier chassis. Be thorough! A stray piece of metal or wire can cause intermittent short circuits or even seriously damage components.
- 4 Check the wiring harnesses for broken or pinched wires, loose connectors, intermittent short circuits, damaged insulation, etc.
- 5 Make sure the breaker/power switch, transformer, fan, and all modules and circuit boards are securely mounted to the chassis.
- 6 Check for burn marks, especially on printed circuit boards. If you find any, investigate the severity of the damage. Using a short, medium-bristled artists or horsehair brush, carefully clean the area with methanol alcohol or a non-corrosive, non-lubricant solvent. If a circuit board has a hole burned in it or a foil trace lifted or destroyed, it must be replaced.

If the burn mark can be cleaned away and you find no damage to the printed circuit board, the board need not be replaced; only the damaged components need to be replaced.

Always check the continuity of any questionable foil traces.

- 7 Inspect the power supply capacitors and relays; damage to these components is usually visually apparent. If you suspect that one or more relays or capacitors are defective see Chapter 6 step 23.

## 4.2 Removing or replacing one or both output modules

### Tools & materials needed:

- ✓ Phillips #1 screwdriver (If the amplifier has a toroidal transformer, you need a #2 screwdriver also.)
- ✓ A means of labeling the modules and boards: masking tape and pen, permanent marker, etc.
- ✓ Clamp-on current probe (Fluke Y801, Amprobe RS-1 or equivalent.)
- ✓ Variac

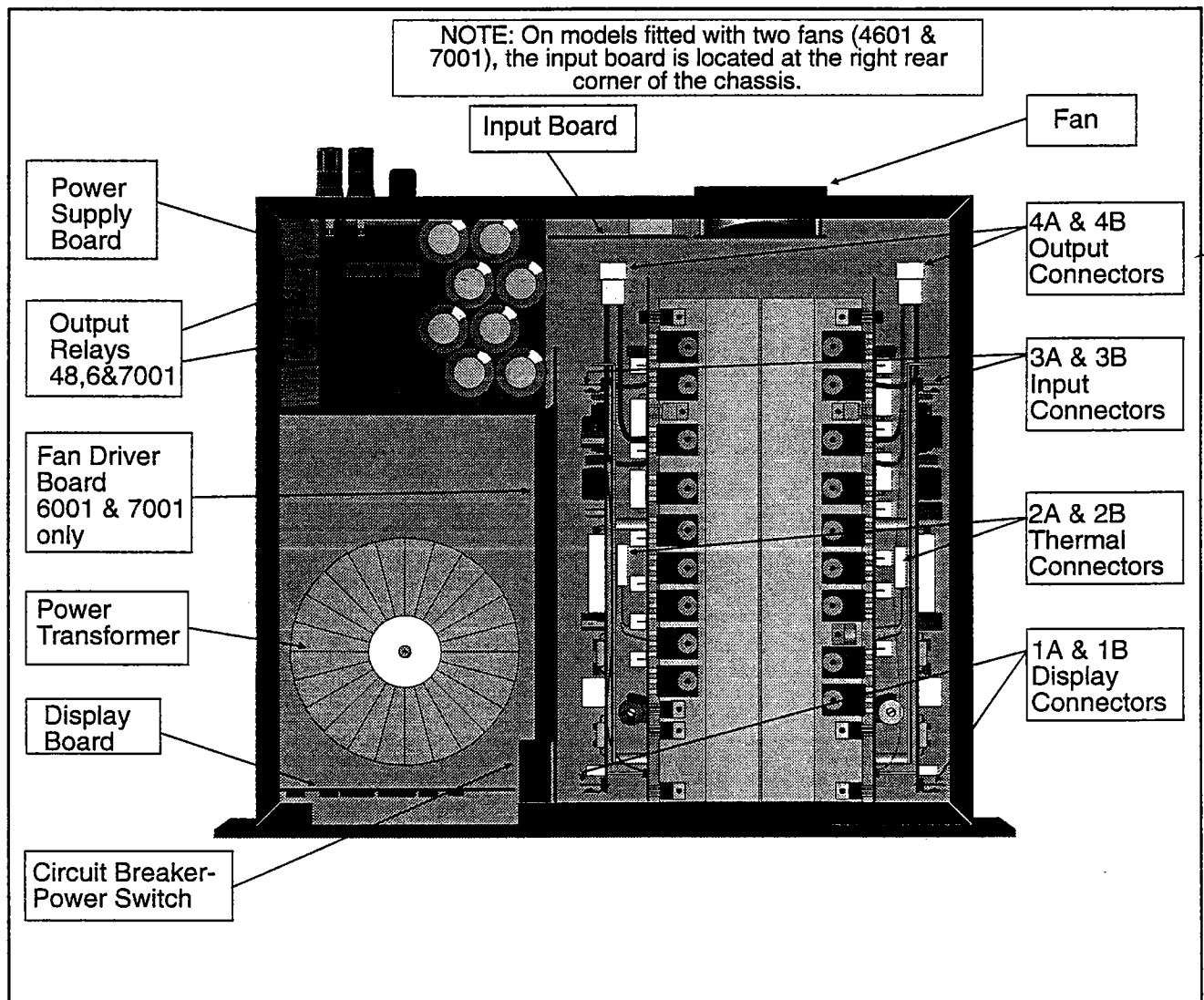


Figure 4-1. Amplifier, view with top off

## Setup:

- ✓ Amplifier disconnected from AC mains.

## Procedure:

- 1 The output modules are mounted back-to-back on the right half of the amplifier. Each heatsink is fastened to the bottom of the chassis with 3 screws. Bypass step 2a unless your breaker is tripping at turn-on.

### 2a. Referred from Flowchart B: Breaker trips at turn-on.

#### a. Isolate the Problem

In most cases when the breaker trips as you try to power up the amplifier, the problem is a fault on an output module or the power supply. The result is usually shorted power transistors on the output module(s) or a power supply component failure. Shorted transistors will cause excessive current, in turn, tripping the breaker as will a shorted bridge rectifier or a shorted power capacitor (cap) in the power supply. The first step is to determine which channel is defective.

#### b. Locate the output connectors (4A & 4B in Figure 4-1).

c. Be sure that the amplifier is disconnected from AC mains. Disconnect Channel A's output connector.

d. Connect the clamp-on current probe across either wire connected to the circuit breaker.

e. Set the Variac at zero volts.

f. With the amplifier's circuit breaker in the "on" position, plug the amplifier into the Variac. *Note: While increasing the Variac, monitor your current probe reading. The maximum, no load, quiescent current draw should be 1.5 amperes AC. If you are seeing a steady increase in current beyond this level, there is a short circuit somewhere in the amplifier; if not, continue.*

g. Bring the Variac up to 60 volts. Does the breaker still trip? If not, you know that the problem is located on Channel A's output module. If the breaker still trips, bring the Variac down to zero volts and repeat steps 3-7, this time reconnect Channel A and disconnect Channel B's output connector.

If the current level is acceptable and the breaker no longer trips with Channel B's output module disconnected, then you know that the problem is located on Channel B's output circuitry. Also, check the bridge rectifiers, the output relays and power caps for shorts which will also cause excessive current thus, tripping the breaker (Chapter 6 steps 18-22).

h. Continue with section 4.2 to remove the modules from the chassis- then see section 4.4.3 "Troubleshooting Defective Output Modules" for tips.

i. Tip the amplifier up onto its left side and remove the six module screws on the bottom of the amplifier. Do not turn the amplifier upside-down to reach the screws, because the output modules will drop directly on the wiring harness and possibly damage it.

- 2 Lay the amplifier back down.
- 3 Label the Channel A and B heatsinks and preamp boards for isolation purposes and so you can reinstall them to their original position.
- 4 Lift the right (Channel B) module about 1 cm or 1/2 inch, and slide it to the left to engage the heatsink fins together with Channel A's fins. This will make the modules easier to lift out of the chassis later.
- 5 Disconnect all wiring to the modules: (See Fig. 4-1)
  - 1A & 1B—Display connectors
  - 2A & 2B—Thermal connectors
  - 3A & 3B—Input connectors
  - 4A & 4B—Output connectors
- 6 Unscrew the plastic harness retainers on the top front of each heatsink.
- 7 Lift the two modules together and remove them from the chassis.
- 8 Before continuing, visually inspect the heatsink and preamp boards for any obvious defects, burns, damaged components, etc.
- 9 If you find that you cannot repair the board, please call Crest Audio for service.
- 10 If you are replacing or reinstalling the modules, reassembly is the reverse of disassembly.

### 4.3 Locating and Isolating a Problem

*If one channel is not functioning, determine whether the problem exists on the output module or elsewhere in the amplifier.*

#### **Procedure:**

- 1 Use the procedure in Section 4.2 for removing the output modules from the chassis.

*The next step is to swap the two output modules to see if the problem stays on the same channel.*

- 2 Because the modules will be turned over, what was originally the top side of each module will become the bottom. You must redirect the three-wire (black–yellow–red) thermal harness and connector on each module so it is routed toward the top and can be properly connected. Pass the harness and connector between the heatsink and preamp boards to reroute it to the other side.
- 3 Reinstall the modules into the chassis, with the module that was originally Channel A now on the right and the one that was Channel B now on the left. Reconnect the display, thermal, input and output connectors. Be sure all connectors are oriented properly and securely. **Do not offset connectors!**
- 4 Connect the amplifier's AC mains cable to the appropriate line voltage. Turn the amplifier on.

- 5 If the problem has moved over to the other channel, you have isolated it to that module. See Section 4.4, 'Troubleshooting Output Modules'.

If the problem stays on the same Channel After swapping the module, then you can assume that the problem lies elsewhere in the amplifier. See Chapter 6.

## 4.4 Troubleshooting Output Modules

*If you have a spare output module that you know is good, e.g., a factory replacement, you should use it as a reference for trouble shooting a defective one. If you do not have a spare, but one amplifier channel appears to work properly, you can confirm its operation by performing a full module test (Sections 4.4.1 and 4.4.2) and use it as a reference. Use the chassis as a test fixture.*



**Repairs should be attempted only by qualified technical persons!!**

### 4.4.1 Preparation for full module test

#### Tools and materials needed:

- ✓ Dual-trace oscilloscope
- ✓ Audio generator
- ✓ Professional Series module extension cables (available from Crest Audio)
- ✓ Variac
- ✓ Digital multimeter (Fluke 87 or equivalent 20 kHz bandwidth multimeter.)
- ✓ Distortion analyzer
- ✓ 4W and 2W resistor (1000 watt non-inductive Milwaukee or equivalent.) Load resistors are available through Crest Audio.
- ✓ Phillips #1 screwdriver

#### Setup:

- ✓ Variac set to 0.
- ✓ Amplifier turned off and disconnected from AC mains.
- ✓ Both output modules removed from the chassis.

#### Procedure:

- 1 Disassemble the "good" module: remove the two screws which secure the preamp board to the heatsink board and separate the preamp board from the rest of the module. Place the "good" module (minus the preamp board), heatsink down, on the bench at a minimum of 6 inches to the right of the chassis, with its 17-pin header (Figure 4-1, 1A & 1B) closest to you. **NOTE: When reassembling the Output Modules, be sure that the fish-paper insulator sits between the Preamp board and the metal shield, with the washers in place, before securing the screws!**



**Do not let the heatsink or the 17-pin connector touch the chassis!**

- 2 Using the module extension cables, connect Channel B's output connector to the "good" heatsink board. Also connect Channel B's thermal connector for future testing.

- 3 Set up the oscilloscope for viewing both channels of the scope. Use "DC" settings for each channel. Use the horizontal and vertical position controls to set the oscilloscope channels A & B to the "0" position, so the traces run horizontally across the center of the screen.
- 4 **Models 4801, 6001, 7001:** Locate the two 390-ohm 5-watt resistors at the back end (opposite the 17-pin header) of the heatsink board (R140, R141 see component layout #1). Keep in mind that the positive rail reference point will be the outside lead of the 390 ohm resistor located on the right (black or positive) side of the board. The negative rail reference point will be the outside lead of the 390 ohm resistor located on the left (green or negative) side of the board.

Connect oscilloscope Channel A to the negative (-) rail of the heatsink board by attaching its probe to the outside lead of the 390-ohm resistor on the left (green or negative) side of the board. This connects directly to the emitters of the negative (-) rail transistors.

**Models 3301 & 4601:** Locate the two 22 mF capacitors at the back end (the end furthest away from you—opposite the 17-pin header) of the heatsink board. Keep in mind that the positive rail reference point will be the outside lead of the 22 mF capacitor located on the right (black or positive) side of the board. The negative rail reference point will be the outside lead of the 22 mF capacitor located on the left (green or negative) side of the board.

Connect oscilloscope Channel B's probe to the output section at either lead of any of the .33-ohm 5-watt emitter resistors (R124, 126 etc.).

*Note: During this test Channel B's oscilloscope probe should remain connected to the output section of the module under test. Channel A's oscilloscope probe will be moved from the positive rail to the negative rail as the test progresses.*

*Continue with subsection 4.4.2.*

#### 4.4.2 Full module test

##### Tools and materials needed:

- ✓ As in subsection 4.4.1
- ✓ Clamp-on current probe (Fluke Y801, Amprobe RS-1 or equivalent)

##### Setup:

- ✓ Perform procedure in subsection 4.4.1.
- ✓ Set the digital multimeter to AC volts and connect it across the Variac output.
- ✓ Connect the clamp on the current probe across either wire connected to the circuit breaker.

##### Procedure:

- 1 Familiarize yourself with the heatsink board. Examine the positive and negative rail circuitry and compare it to the respective schematic. Notice that the positive rail uses 2SC3281 NPN (black) power transistors. The negative rail uses 2SA1302 PNP (green) power transistors. **NOTE: On the 4801, 6001, 7001 the output relays are located on the power supply board. On the 3301 and 4601, the output relays are located on the heatsink board.**



- 2 Set the Variac to zero (0) volts AC. Connect the amplifier AC mains cable to the Variac receptacle and turn on the amplifier power switch.
- 3 Slowly increase the Variac to 40 volts output while monitoring current probe reading. The maximum, no load, quiescent current draw should be 1.5 amperes AC. If you see a steady increase in current beyond 1.5 amperes, there is a short circuit somewhere in the amplifier; go to Section 4.2, Step 2a. If not, continue.
- 4 Carefully observe the oscilloscope screen. Channel B on the oscilloscope should remain at 0 volts (in the center of the screen).

Channel A on the oscilloscope should show an increasing negative (-) DC voltage. If so, continue to Step 5. If not, see "Symptoms and Solutions," Subsection 5.1.1

- 5 Carefully remove Channel A's oscilloscope probe from the negative rail and connect it to the positive (+) rail reference point (subsection 4.4.1 step 4). At this time Channel A on the oscilloscope should show an increase in positive (+) DC voltage. Channel B's oscilloscope channel should always remain at 0 volts (in the center of the screen). If this is so, continue to Step 6. If not, see "Symptoms and Solutions," Chapter 5.

*Step 6 is known as the "Heatsink Board Test"*

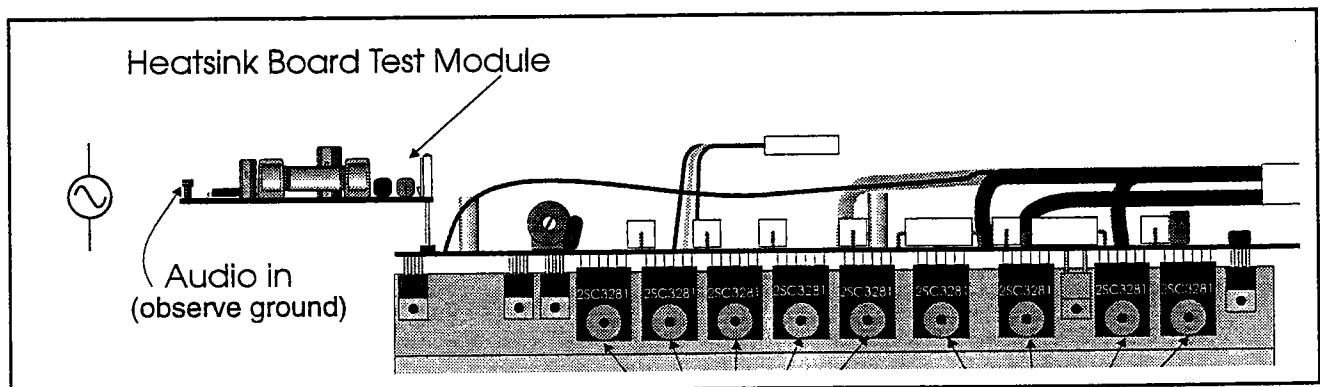
- 6 Turn the Variac off to zero volts. *Wait a minute before you continue to let the power supply capacitors to discharge.*

Set the signal generator for a 2 kHz 10 VAC sine wave.

Connect the "Heatsink Board Test Module" to the 17-pin male connector located at the front of the Heatsink Board and, while observing ground, connect the signal generator to the test points (Figure 4-2).

Bring the Variac up to 40 volts while carefully observing the oscilloscope screen.

Channel B on the oscilloscope will remain connected to the output section of the Heatsink Board therefore, if this board is operating correctly you should see a smooth, undistorted 2 kHz sine wave on oscilloscope Channel B.



Channel A on the oscilloscope should show an increase in negative (-) or positive (+) DC voltage (depending on which reference point you are connected to). For class AB models 3301 and 4601 you should see that the DC rails will remain horizontal and flat (Figure 4-3). For the class H models 4801, 6001, and 7001 you should see the rails modulating in sequence with the respective positive or negative peak of the output sine wave (Figure 4-4). If everything is ok, turn the Variac off, wait a full minute and remove the Heatsink Board Test Module.

If any changes, other than those described, occur see "Symptoms and Solutions," Subsection 5.1.2

Steps 7 and 8 are a "Signal Flow Test."

- 7 Connect the good Preamp board to the Heatsink board under test (via the 17-pin connector) and connect Channel B's input and display connectors (See Figure 4). Set the audio signal generator for a 2 kHz sine wave with a 1 volt balanced output. Use a male XLR input connector with pin 3 as (+) non-inverting (hot), pin 2 as (-) inverting and pin 1 as ground. For use with an unbalanced signal source, tie the inverting (out-of-phase) input (pin 2) to ground (pin 1) inside the XLR plug. Apply the signal to Channel B's input XLR on the rear panel or the amplifier.

Set the mode select switch (on the back of the amplifier) to the "STEREO" position and Channel B's attenuator control to 0 dB (full clockwise).

- 8 Slowly increase the Variac output up to 40 volts while carefully observing the oscilloscope screen.

Channel B on the oscilloscope should always remain at zero in the center of the screen.

Channel A on the oscilloscope should show an increasing positive DC voltage if it is connected to the positive rail reference point or an increasing negative DC voltage if it is connected to the negative rail reference point. If this is so, bring the Variac up to full line voltage (120 VAC or 220/240 VAC).

As you near full line voltage, the relays should click on, turning the amplifier on and passing the 2 kHz sine wave on to oscilloscope Channel B. On models 4801, 6001, and 7001, Channel A on the oscilloscope should now show the positive (+) or negative (-) high rails turning on synchronously with the signal (depending on which reference point you are connected to). This is Class H operation (Figure 4-4).

On models 3301 and 4601, channel A on the oscilloscope should now show the positive (+) or negative (-) DC rails (depending on which reference point you are connected to) displayed horizontally across the screen. This is class AB operation (figure 4-3).

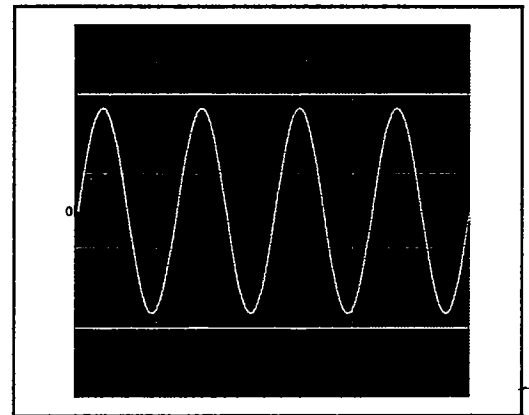


Figure 4-2. Class AB

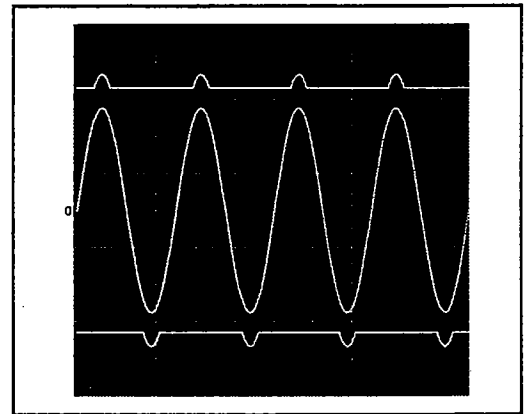


Figure 4-3. Class H

If any changes other than described occur, see "Symptoms and Solutions," Chapter 5, subsection 5.1.3.

*Note: Standard gain is x40 (+32 dB); therefore, with a 1 volt (+5.7 dBv) input and the attenuator at 0 dB, the output with no load should be 40 volts. If so, continue to step 10.*

## CUSTOM GAIN REFERENCE CHART FOR THE PRO-SERIES.

**AMPLIFIER GAIN SETTINGS** (New style preamps: serial numbers 9107XXX and higher)

**STANDARD PROFESSIONAL SERIES GAIN = 32 dB (x40)**

GAIN	SIP1A	SIP1B	SIP1C	SIP1D	R12	R14	R32	R35
32 dB x40	10K	10K	10K	10K	20K	10K	1.5K	.75K
29 dB x28	10K	10K	10K	10K	20K	24.9K	1K	1K
26 dB x20	10K	10K	10K	10K	20K	open	1K	1K
23 dB x14	14.3K	10K	14.3K	14.3K	34.8K	open	1K	1K
16 dB x6.3	10K	3.16K	10K	3.16K	37.9K	open	1K	1K

**NOTE:** Any gain that requires SIP1A thru SIP1D to be 10K should use the standard SIP resistor package. Other configurations are to be done with discrete resistors in its place. All of these resistors must be 1% tolerance or better, and all are located on the preamp board.

Steps 9 through 11 are the setting of the output "transistor bias". The bias can only be set properly while the amplifier is at room temperature, with no signal applied.

- 9 Set the front panel attenuator control completely counterclockwise to infinity (-∞).
- 10 Connect a DC voltmeter across the .33 ohm 5-watt emitter resistors (R112 and R124) closest to the front end of the heatsink board (Figure 4-4).
- 11 Adjust trimpot VR2 to obtain the DC voltage as listed below by model:
  - 7001: 4.5-5.0 mV
  - 6001: 4.0-4.5 mV
  - 4801: 5.0-5.5 mV
  - 4601: 7.0-7.5 mV
  - 3301: 7.0-7.5 mV

If you cannot obtain the correct voltage, see "Symptoms and Solutions," Subsection 5.1.4.

Steps 12 through 16 test the module's "THD" as well as its ability to deliver "power into a load".

- 12 Set the attenuator control to 0 dB.
- 13 Connect the distortion analyzer to Channel B's output binding posts. Use the black post for ground.
- 14 Briefly apply a 4-ohm load across Channel B's output at the binding posts located on the rear panel. On the oscilloscope screen, the rails and output sine wave should not change in shape.

Connect the load for a maximum of 30 seconds; remember, the module has no cooling airflow when it is out of the chassis!

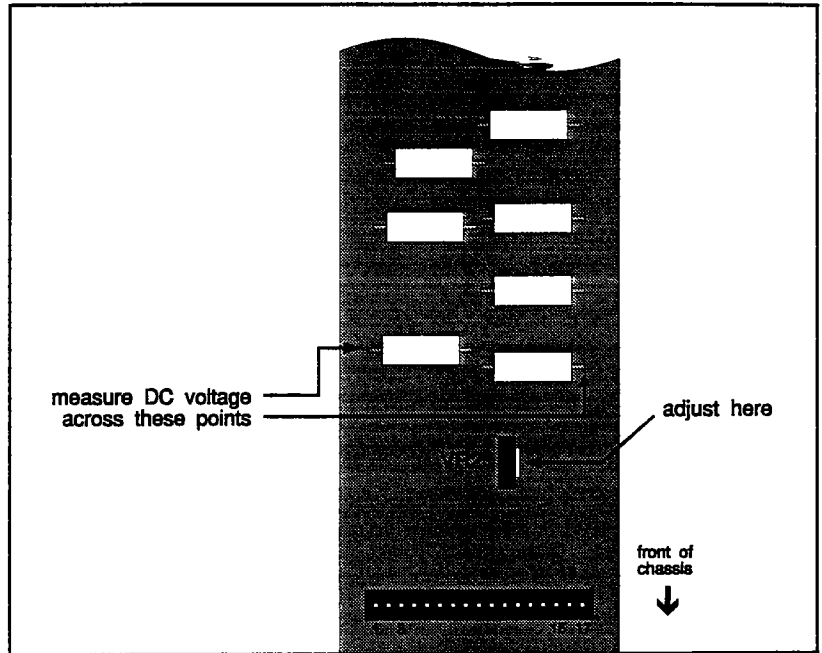


Figure 4-4. Bias adjust

- 15 Adjust the input level so that the output is just below clipping. Measure THD with and without the 4-ohm load applied at the various frequencies listed in the THD tables. **Make sure the output is not visibly clipping!**

If everything is OK, continue. If not, see Symptoms and Solutions, Subsection 5.1.5.

- 16 Connect an AC voltmeter across Channel B's output. For models 3301, 4801, 6001, and 7001, apply a 2-ohm load across the output at the rear panel binding posts for a maximum of 30 seconds and measure the output voltage. For model 4601, apply a 4-ohm load across the output at the rear panel binding posts for approximately 30 seconds and measure the output voltage. **Do not apply a 2-ohm load to the 4601!**

Check your measurements against the power level table on page 4-11.

Observe the oscilloscope; the sine wave should not clip during this test.

## THD TABLES

### Class AB models: 3301 & 4601

Frequency	THD with no load	THD with a 4Ω load
20Hz	.020%	.025%
2kHz	.025%	.030%
10kHz	.040%	.045%
20kHz	.040%	.050%

**Class H models: 4801, 6001, & 7001**

Frequency	THD with no load	THD with a 4Ω load
20Hz	.015%	.030%
2kHz	.025%	.035%
10kHz	.050%	.060%
20kHz	.065%	.070%

**POWER TABLES**

To calculate power, use the formula:  $Power = \frac{Voltage^2}{Load Resistance}$

Model	Voltage @ 2Ω	Power ±5%
3301	28.5-30.5 VRMS	435W @ 2Ω
4801	35-38.0 VRMS	700W @ 2Ω
6001	39-42.0 VRMS	800W @ 2Ω
7001	40-43.0 VRMS	850W @ 2Ω
Model	Voltage @ 4Ω	Power ±5%
4601	29.5-32 VRMS	500W @ 4Ω

**Do not apply a 2Ω load to the 4601; it is not designed for 2Ω use. 4Ω is the lowest acceptable load.**

If the module passes this test, continue. If not, see Symptoms and Solutions, Section 5.1.6.

*Steps 17 through 20 check for “voltage on the heatsink and for DC offset”.*

- 17 Connect the voltmeter between the module’s heatsink and a suitable ground on the chassis. Make sure the heatsink and chassis do not touch!
- 18 Check for both DC and AC voltages. There should be no DC voltage between the heatsink and the chassis, and no more than 10 volts AC. If your measurements exceed these limits, see Symptoms and Solutions, Subsection 5.1.7.
- 19 Turn the Variac down to zero (0) volts output. *Wait a minute before you continue to let the power supply capacitors discharge.*
- 20 Disconnect the output loads and the input signal. Turn the Variac back up to full line voltage output. Measure the DC voltage across Channel B’s rear panel outputs.

If you measure more than 10 mV of offset, try replacing IC2 on the preamp board. This IC is an RC4559 dual op-amp, and it may sometimes have a small DC offset voltage at its output. The amplifier's DC protection circuit will shut the channel off if the DC offset exceeds 0.1 volt.

*If the module passes all of these tests, then it is in good working order. Now you can use it as a reference in troubleshooting a bad one; the procedure is detailed in the following Chapter.*

# 5 SYMPTOMS AND SOLUTIONS

---

## 5.1 Troubleshooting a defective output module

### Tools and Materials needed:

- ✓ Dual-trace oscilloscope
- ✓ Audio generator
- ✓ Professional Series module extension cables (available from Crest Audio)
- ✓ Variac
- ✓ Digital multimeter (with a bandwidth of 20 kHz or greater.)
- ✓ Distortion analyzer
- ✓ 4W and 2W resistor (1000 watt non-inductive Milwaukee or equivalent)
- ✓ Output module, tested and in good working order, for comparison

### Setup:

- ✓ Variac set to 0.
- ✓ Amplifier turned off and disconnected from AC mains.
- ✓ Good output module installed and connected in the chassis as Channel A.
- ✓ Defective module removed from the chassis.

### Procedure:

*Again you will use the chassis as a test fixture. Channel A is the reference, and Channel B the device under test.*

- 1 Place the defective output module on the bench at a minimum of 6 inches to the right of the chassis, with the 17-pin header closest to you. Remove the preamp board from the module. Use set up and procedure steps from subsection 4.4.1 .

*Continue the test on the defective module by following the procedure in subsection 4.4.2. If you encounter any problems, the instructions will direct you to the appropriate troubleshooting guide.*

In the tests described in subsections 4.4.1 through 4.4.3, you identified any symptoms and performed visual inspections. The following instructions help you isolate the problems and correct them by replacement or component-level repair.

#### 5.1.1 Referred from 4.4.2, Step 4—voltage on output

- 1 If Channel B's oscilloscope trace shows an offset (not staying in the center at 0), the problem is probably located on one of the supply rails.

If the trace appears to be attached to the positive (+) rail or is rising in positive DC voltage, then the problem exists somewhere in the circuitry of the positive rail on the heatsink board.

If the trace appears to be attached to the negative (-) rail or is rising in negative DC voltage, then the problem exists somewhere in the circuitry of the negative rail of the heatsink board.

## 2 Troubleshooting

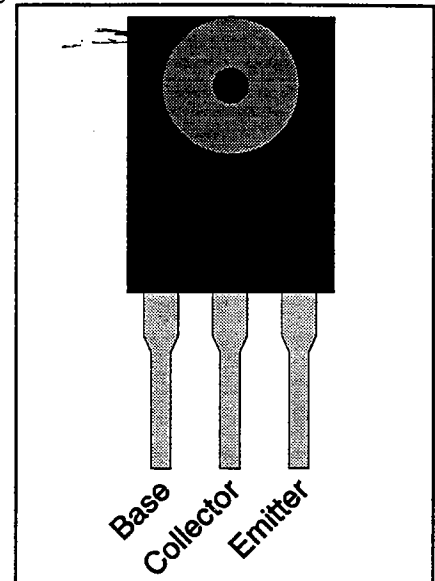
Turn the Variac off to zero (0) volts output and wait a full minute for the power supply capacitors to discharge.

Disconnect the output connector from the heatsink board

Locate the problem area of circuitry on the board's positive or negative rail (as determined in step 1). See the heatsink board schematic.

Use an ohmmeter or diode/transistor tester to test the components.

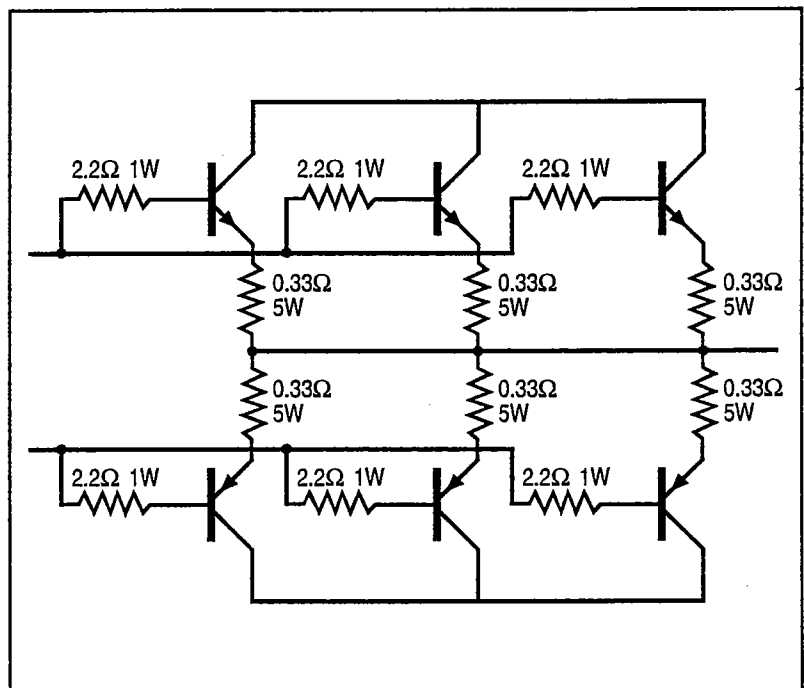
If the output has a positive offset or is latched to the positive rail, start by checking for forward bias readings on the power transistors 2SC3281 NPN (black). If the offset or latch is on the negative rail, check PNP (green) 2SA1302 transistor.



**Figure 5-1. Power transistor front view and pinout**

*The legs of the transistors mounted on the heatsink are **base, collector, and emitter**, from left to right (Figure 5-1). If there is a shorted device on either rail, all of the devices will show either a short or a very low resistance, because all of the emitters of the low rail are connected through .33 ohm 5 watt resistors all of the bases are connected through 2.2 ohm 1 watt resistors, and all of the collectors are connected together on the board (Figure 5-2).*

*The high rail transistor emitters are connected together through .2 ohm 5 watt resistors and the bases and collectors are connected together on the board; therefore, if one device is shorted they will all measure very low or zero ohms also.*



**Figure 5-2**

3 If there is a short from emitter to collector:



To determine which devices are bad, use a soldering iron to lift one leg of each emitter resistor. This removes each device from the circuit. Measure the emitter-collector resistance on each device.

If the emitter-collector resistance on an out-of-circuit transistor measures as a short circuit, then it is damaged and must be replaced. Check each transistor out-of-circuit and remove all defective ones by unscrewing the torque screws and unsoldering the transistors from the top of the board. If you find shorted devices be sure to check the value of all emitter resistors as well.

- 4 If there is a short from collector to base:

Use a soldering iron to lift one leg of each 2.2 ohm base resistor. This removes the base of each transistor from the circuit and allows you to locate the bad device(s). Check the base-collector resistance of each transistor and replace any that measure as a short.

- 5 If the transistors test OK:

Unsolder and lift one leg of each diode on the board. Check them with an ohmmeter or diode tester; they should each indicate infinite resistance when reverse biased and approximately 500 ohms when forward biased. Replace any that are damaged.

Check the circuit board for open foil traces.

- 6 Using an ohmmeter, check the resistors, especially if you found some damaged transistors; often, an overload severe enough to destroy transistors will also damage surrounding resistors, particularly the base and emitter resistors.

*Voltage on the heatsink will also cause high and low rail problems.*

### **5.1.2 Referred from 4.4.2, Step 6—failed the “Heatsink Board Test”**

- 1 If the output sinewave (Channel B on the scope) appears to be distorted during the negative cycle, you can assume that the problem is located somewhere in the circuitry of the positive low rail. If the positive cycle appears distorted, you can assume that the problem is in the circuitry of the negative low rail. Refer to schematic #1 (4801, 6001, 7001) or schematic #1A (3301,4601).

**REMEMBER! THE CLASS H AND AB OSCILLOSCOPE DRAWINGS IN FIGURES 4-3 AND 4-4 SHOW THE OUTPUT SINE WAVE AS WELL AS BOTH OF THE VOLTAGE RAILS. YOU ARE MONITORING THE OUTPUT BUT ONLY ONE OF THE RAILS AT A TIME.**

- 2 For the class H models 4801, 6001 and 7001; if the high rails appear distorted or are not modulating as shown in figure 6, then the problem probably exists somewhere in the circuitry of the respective (+ or -) defective high rail. Refer to schematic #1.

See subsection 5.1.1, steps 2 - 6 for troubleshooting tips.

### **5.1.3 Referred from 4.4.2, Step 7—failed signal flow test**

*If Channel B's trace on the oscilloscope (module output) shows a latch or DC offset with the preamp board attached to the heatsink board, the problem probably lies on the preamp board. However, there may also be a defective component on the heatsink board that you may have overlooked.*

- 1 Turn the Variac off.
- 2 Replace the suspect preamp board with the good preamp board from the other module. Make sure it is connected properly to the heatsink board.
- 3 Perform Step 7 and 8 "Signal Flow test," from subsection 4.4.2. If the problem no longer exists, then the "bad" preamp board requires troubleshooting. If the problem still exists, double check the heatsink board operation. See subsection 4.4.2 step 6.
- 4 First check the transistor circuitry in the amplifier front end section of the preamp board circuitry (see Figure 5-3). This section provides the signal drives for the heatsink board.

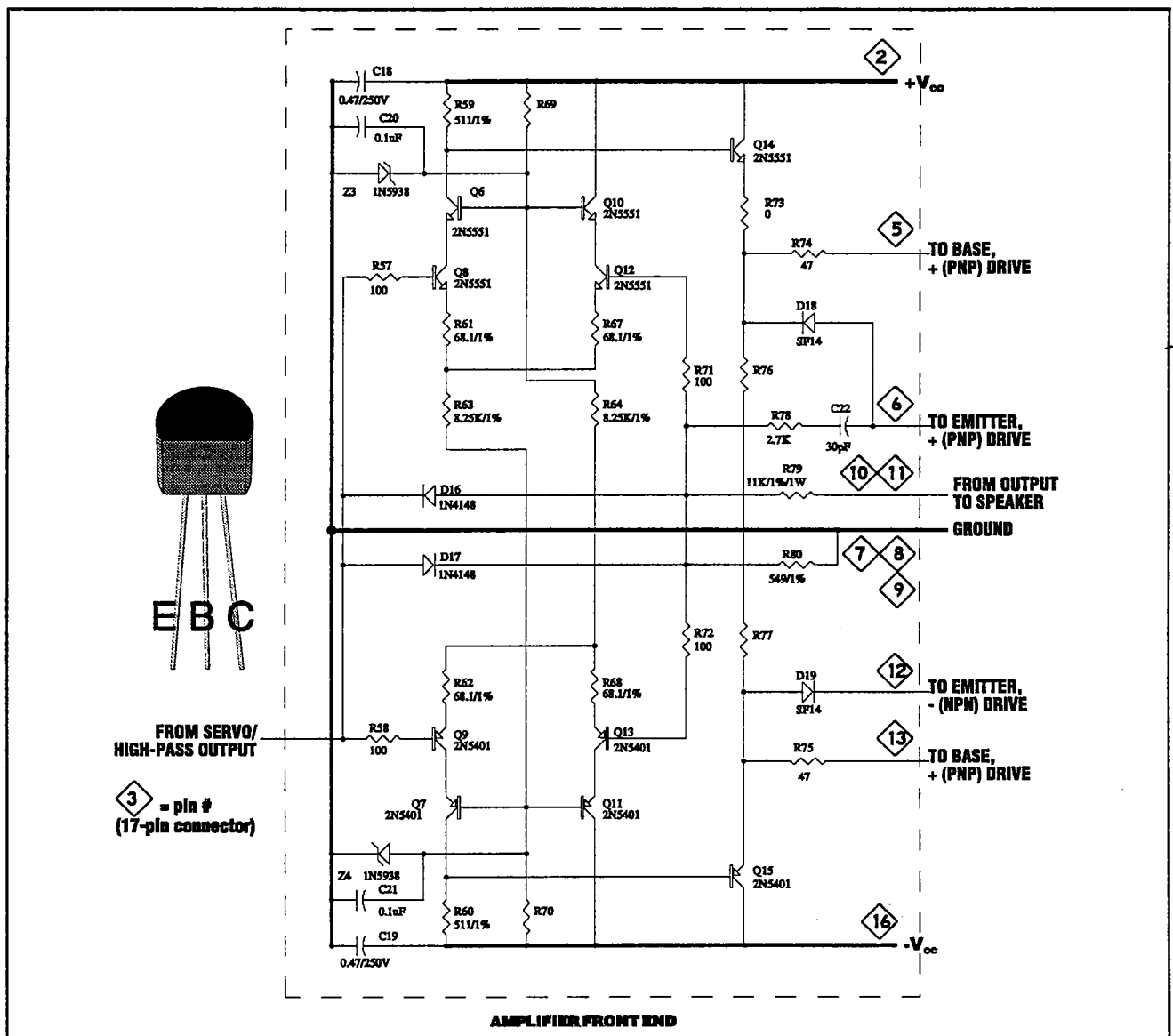


Figure 5-3

- 5 Turn the Variac off and wait a full minute for the power supply capacitors to discharge. Remove the preamp board from the heatsink board. Using an ohm-meter or diode tester check for open or shorted transistors or diodes.

**Use this section, the block diagram, and the preamp board circuit description to isolate the problem area on the preamp.**

On the older preamp board version which uses an opto-coupler - (used up to the following serial numbers; 4801-#9107K00, 6001-#9109E00, 7001-#9107E00 ) **NOTE: All 3301 and 4601 amplifiers use the new style preamp boards.**

**IC1:** an NE5532 dual op-amp (originally this IC was an LF353; it was replaced in later production runs by the NE5532 to improve performance), which is the active component in the actively balanced input and the subsequent gain stage.

**IC2:** an RC4559N dual op-amp, which lies in the servo circuitry and also detects signal at the channel output.

**IC3:** also an RC4559N; it serves as the limit detector and the clip detector.

**IC4:** an LM393N dual comparator, which operates the current limiter circuitry.

*On the newer preamp board (#26C1124-X), which has an operational transconductance amplifier*

**IC1:** an NE5532 dual op-amp; it is the active component in the actively balanced input and the subsequent gain stage.

**IC2:** an RC4559N dual op-amp, which lies in the servo circuitry and also detects signal at the channel output.

**IC3:** an LM339N quad comparator, which operates the current limiter circuitry, the attenuator driver, and the clip detector.

**IC4:** an NE5517AN dual operational transconductance amplifier, which attenuates the signal when the channel is clip limiting, in IGM, or in Auto-Ramp.

- 6 Using an ohmmeter or in-circuit transistor tester, check all the transistors and diodes in the faulty section of circuitry, on the preamp. Transistors Q6, Q8, Q10, Q12, and Q14 are 2N5551 NPNs, while Q7, Q9, Q11, Q13, and Q15 are 2N5401 PNP's. Diodes D18 and D19 are type SF14. Zener diodes Z1 and Z2 are type 1N5353B, and Z3 and Z4 are type 1N5938B.

- 7 Remember to use an ohmmeter to test resistors for proper values as they may have shorted or burned open.

*If you turn the Variac up to full mains voltage and the channel stays in protect but the module output shows no latch check for voltage between the chassis and the heatsink. If there is no voltage on the heatsink, go back and thoroughly check the board which you are troubleshooting. Something may have been overlooked.*

### 5.1.4 Referred from 4.4.2, Step 9—cannot bias properly

- 1 If you cannot set the bias on the module as described, make sure the AC power to the amplifier is shut off and it is unplugged. Disconnect the defective module from the amplifier.

Locate the bias adjust circuit, located on the heatsink board, consisting primarily of Q17, VR2 etc. Using an ohmmeter, check VR2, a 250 ohm trimpot on the heatsink board, for proper value and operation. As you rotate the wiper of VR2, the resistance should change smoothly, with no interruptions, dropouts, or short circuits.

If VR2's resistance at any wiper position is infinite, or if its resistance stays constant as you rotate the wiper, replace VR2.

If VR2's resistance changes roughly or erratically as you rotate the wiper, try using contact cleaner. Give it a few seconds to soak in, then check the trimpot again. If the problem remains, replace VR2.

- 2 Using an ohmmeter or in-circuit transistor tester, check Q17 (Figure 5-4), a TIP117 Darlington pair transistor, replace it if necessary.

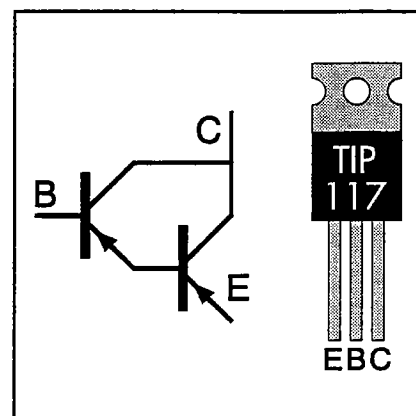


Figure 5-4. Darlington pair transistor, front view

*Remember that as a Darlington pair, the transistor has two base-emitter junctions in series between the base and the emitter.*

- 3 Connect the amplifier to the Variac and slowly turn up the voltage to about 40 volts. Check for voltage between the heatsink and the amplifier chassis. Because the heatsink is completely isolated electrically from the heatsink and preamp boards, there should be no voltage on it. If you find an AC or DC voltage between the heatsink and the chassis, go to Subsection 5.1.7.

### 5.1.5 Referred from 4.4.2, Step 12—excessive THD + N

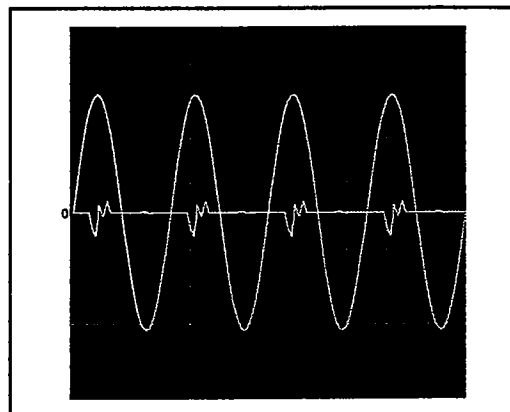
- 1 First, make sure the module is biased properly (see Subsection 4.4.2, Steps 9 through 11).

Note: If your distortion analyzer has a 400 Hz high-pass filter, use it. If the THD + N drops to an acceptable level with the 400 Hz filter in then you know that the distortion is below 400 Hz, probably caused by line related hum. You can first assume that there is an open ground somewhere in the wiring harness or in the chassis. If not, continue.

Distortion can have a number of causes. To help track down its source, observe the analyzer output (the distortion product) on one oscilloscope channel and the channel's output signal on another. Excessive distortion products that are synchronous with either the positive halves of the waveform or the negative halves, and not both, indicate a problem in the respective positive or negative circuitry of the module. For example, Figure 5-5 shows an excessive distortion product that occurs simultaneously with the positive peaks, but not the negatives; this indicates a problem in the positive circuitry in either the preamp board or the heatsink board. You must investigate further to isolate the THD problem to either board.

**Note: Be sure that the amplifier is getting proper line voltage. Starving or overloading the supply will cause high THD.**

- 2 Turn the Variac off and swap the preamp board with one that is known to be good.
- 3 Turn the Variac back up. If the distortion problem remains, then the heatsink board is defective. If the excessive distortion disappears, the problem lies on the preamp board.
- 4 Turn the Variac off again and return the original preamp board to the module under test. Continue below with the appropriate measures: Step 5 if the preamp board is defective, or Step 6 if the heatsink board is.



**Figure 5-5. THD**

**5 Tracing excessive THD in the preamp board:**

Swap IC4, the NE5517AN dual operational transconductance amplifier (OTA). Turn up the Variac and see if the excessive THD disappears. If not, turn off the Variac and continue. (For the older preamp boards, try swapping the optocoupler, OC1.)

Check Z1, Z2, both 1N5353 and check Z3, & Z4, both 1N5938 zener diodes, with an ohmmeter or diode tester. Turn the Variac up to full mains voltage and check Z1 and Z2 for 16-volt regulation and Z3 and Z4 for 36-volt regulation.

Turn off the Variac and check D18 and D19, both SF14 diodes, with an ohmmeter or diode tester.

Continue checking transistors, diodes, resistors, etc., particularly those associated with the polarity that exhibits the distortion problem. For example, if the excessive THD occurs on the positive halves of the waveform, check transistors Q6, Q8, Q10, Q12, and Q14, as well as resistors R57, R59, R61, R63, etc.

**6 Tracing excessive THD in the heatsink board:**

With the Variac turned off and the board disconnected from the amplifier, check all components, starting with the resistors. An open or shorted resistor can cause high THD, as can a faulty diode, capacitor, or transistor.

Turn up the Variac and check for voltage between the heatsink and the chassis. There should be none, but if there is, it may be the cause of the excessive distortion. See Subsection 5.1.7.

Does the excessive THD occur only with a load on the channel output? Premature clipping on either the positive or the negative waveform peaks (Figure 5-6) that disappears when the output load is disconnected indicates a likely power supply problem, a zener diode problem, or output transistor problem. Turn off the Variac and check the power supply bridge rectifier(s). All four diodes of the bridge rectifier must be in working condition; replace the rectifier if necessary. Turn the Variac up to full AC mains voltage and check the voltage drop across the zener diodes Z8 and Z9. The

voltage drop across these two 1N5927s must be 12 volts DC,  $\pm 1\%$ ; replace any failed or out-of-tolerance zeners. Check the affected output transistors see Subsection 5.1.1, Steps 2 through 5.

#### 5.1.6 Referred from 4.4.2, Step 16—insufficient output power

- 1 If the channel will not produce enough output power into 2 ohms with reference to the output power chart, observe the output waveform on the oscilloscope as you apply the load.
- 2 Does the signal clip prematurely on only positive or negative peaks (Figure 5-6)? If so, check the power transistors associated with that rail (one or more may be defective) as well as zener diodes Z8 and Z9 on the heatsink board, and the bridge rectifier(s) on the power supply board. Follow the tips from Subsection 5.1.5, Step 6.
- 3 Try swapping the current limiter comparator IC (LM393N on the older board version; LM339N on the newer one) from the preamp board with a new IC or one from the “good” preamp board.

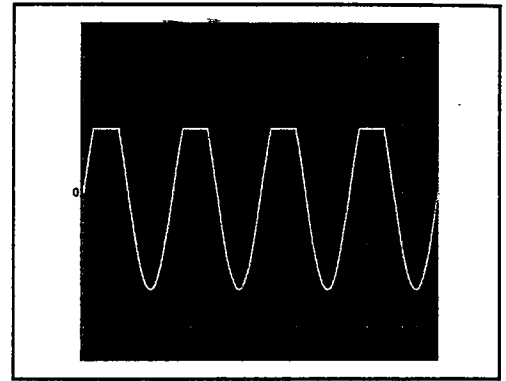


Figure 5-6. Premature Clipping

#### 5.1.7 Referred from 4.4.2, Step 17—voltage on the heatsink

- 1 Turn the Variac off. Make sure the heatsink of the module under test is not touching the chassis.
- 2 Set the Variac to 40 volts AC.

*The transistors are fastened to the heatsink for heat dissipation. The bottom surface of each transistor's flat case connects to the collector. To insulate the collector from the grounded heatsink, either a strip of green coolsil or individual mica washers with silicone thermal grease are used. Sometimes these insulators become damaged with age through repeated expansion and contraction, causing collector current leakage onto the heatsink.*

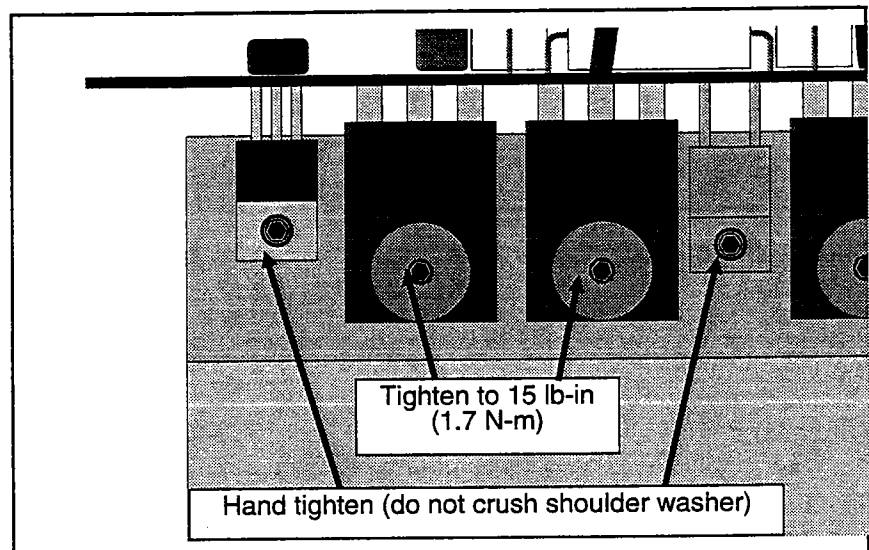
- 3 Connect the voltmeter between the amplifier chassis (ground) and the heatsink. If you find the heatsink has a positive DC voltage with respect to chassis ground, the problem lies with the NPN (black) transistors, which are associated with the positive rail. If it has a negative voltage, the problem is the PNP (green) transistors.
- 4 Leave the Variac set to 40 volts AC. Using a  $\frac{3}{32}$ " (2.4 mm) hex driver with an insulated handle, begin loosening the mounting screws of the suspect transistors one by one while observing the voltmeter reading. Once you unscrew the transistor that is shorting to the heatsink, the voltage will disappear.
- 5 Turn the Variac off to zero volts. *Wait a minute before you continue to let the power supply capacitors to discharge.*
- 6 Completely remove the mounting screw of the shorting transistor. Carefully lift the transistor away from heatsink.

- 7 Check the insulator underneath the transistor for rips, holes, or debris. Clear away anything that may have caused a puncture in the insulator.
- 8 Replace the coolsil or mica. If a mica washer is used, coat both the heatsink area and the device with a thin film of silicone thermal grease first.
- 9 Replace the transistor's mounting screw. Tighten the mounting screws of the large power transistors to 15 lb.-in (1.7 N-m). Over tightening will damage the mica and/or deform the coolsil insulator. Carefully hand-tighten the mounting screws of the smaller devices enough to hold firmly without crushing the shoulder washer, which would short the device to the heatsink. Replace the shoulder washer if it is damaged. (Figure 5-7)

*Step 10 is necessary because more than one transistor may be shorted to the heatsink.*

- 10 Repeat Steps 2 and 3 to test for voltage on the heatsink. Repeat this procedure as necessary until no voltage remains on the heatsink.

**Remember! There should be no DC, positive or negative voltage and no more than 10 volts AC present on the heatsink with respect to chassis ground.**



**Figure 5-7. Transistor Mounts**

# 6 TROUBLESHOOTING THE REST OF THE AMPLIFIER

## Tools and materials needed:

- ✓ Philips #1 screwdriver (if the amplifier has a toroidal transformer, you will need a #2 also)
- ✓ 1/8" (3.15 mm) right angle hex key
- ✓ Multimeter (with a bandwidth of 20k or greater)
- ✓ Variac

## 6.1 Symptom: No audio, LEDs not lit on one/both channels (Steps 1–25) One or both channels stays in “protect” (Steps 1–25) Audio okay, LEDs not lit on one channel only (Steps 3–14)

### Setup:

- ✓ Variac set to 0 VAC (off)
- ✓ Amplifier turned off
- ✓ Top cover removed from the amplifier.

*First check the power supply rails.*

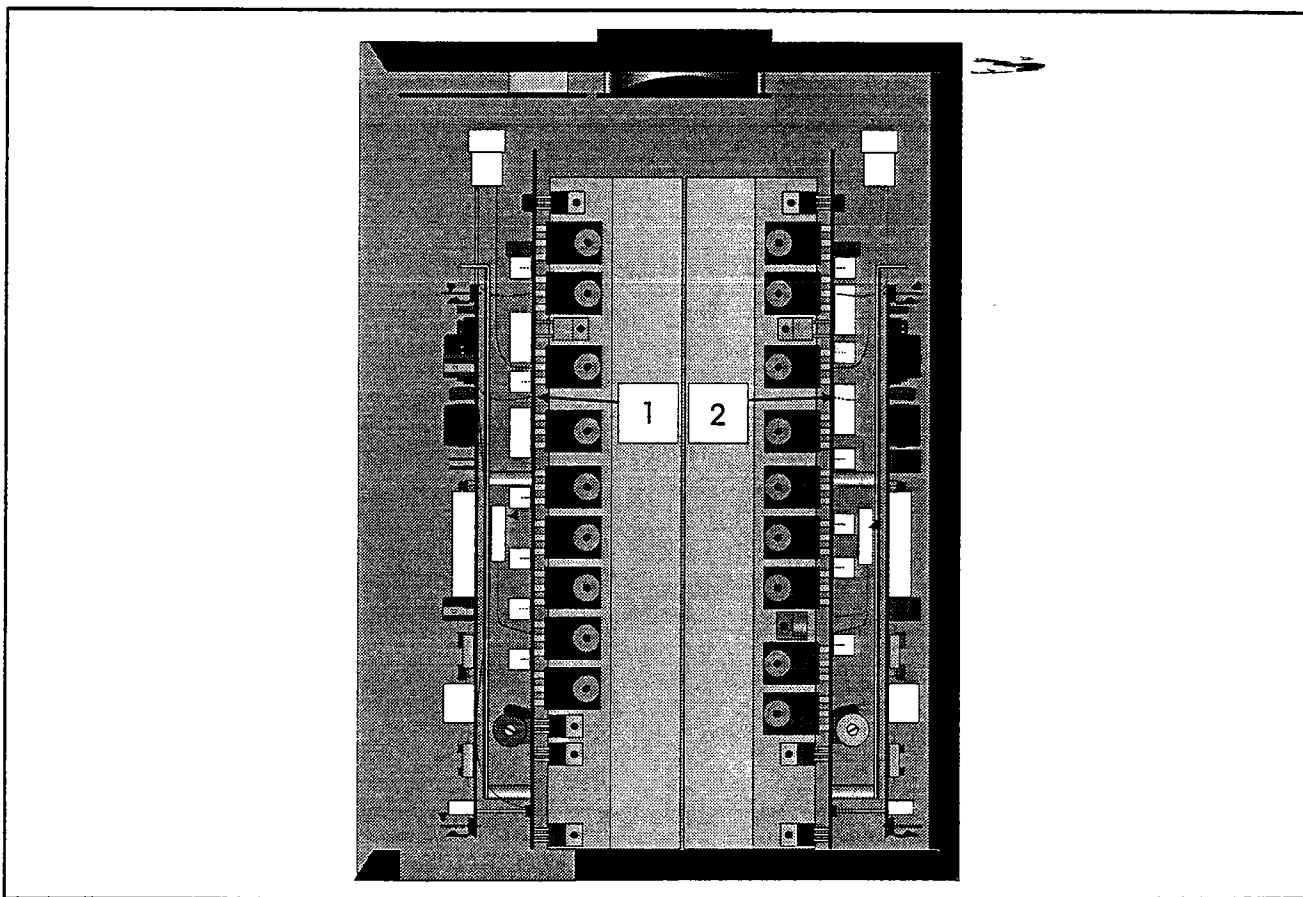
- 1 Connect the amplifier to the Variac output. Turn on the amplifier and adjust the Variac output to 40 volts AC.
- 2 Measure the DC voltage, with respect to the amplifier chassis ground, at points 1 (where the red wire attaches to Channel A's heatsink board) and 2 (where the green wire attaches to Channel B's heatsink board) as shown in Figure 6-1.

If the power supply is functioning properly, you should measure approximate voltages as listed in the following table:

Model	120-volt amplifier		220/240-volt amplifier	
	Point 1	Point 2	Point 1	Point 2
3301	+32V	-32V	+16V	-16V
4601	+33V	-33V	+16.5V	-16.5V
4801	+34V	-34V	+17V	-17V
6001	+35V	-35V	+17.5V	-17.5V
7001	+37V	-37V	+18.5V	-18.5V

If the power supply voltages measure correctly, continue with testing the display board. If not, go to Step 19.





**Figure 6-1. DC Voltage Points**

*Next, check the display board. It stands directly behind the front panel and holds the LEDs and attenuator controls.*

- 3 Using your voltmeter set on the DC scale, check the following points: *Reference Schematic # 3.*
  - a) Connect the ground lead of your voltmeter to audio ground, located at pin 12 on the 13-pin male connector at the top on the back of the display board, M12. (With respect to the front of the amplifier - pin 1 is far left.)
  - b) Locate M5 which is the 15 pin connector on the left backside of the display board. With respect to audio ground; measure the voltage at pin 15. (Top with black/red wire connected). You should measure approximately 11 volts DC. If no voltage is present, turn the Variac off to zero 0 volts and continue to step c. If voltage is present on pin - 15 of M5, with respect to audio ground measure the voltage at pin 1 of M12 (13 pin male at top backside of display board). You should measure approximately 15 vdc. If you measure a low voltage, or none at all, then you can assume that the problem is located in the fan driver circuitry or the wiring harness, see steps 15-18.
  - c) Remove the 3 amp-mini fuse located at the left rear of the display board and check it for continuity. If the fuse has burned open (infinite resistance); first replace it. Repeat step B. If refuse burns open again you need to find out why. (see step 4)

- 4 Turn the Variac off.

*To remove the display board, you must first remove the front panel.*

Using a  $\frac{1}{8}$ " (3.15 mm) right angle hex key, remove the six front panel screws. Remove the two Philips head screws above and below the circuit breaker and remove the front panel.



**Be extremely cautious with the circuit breaker un-mounted. Do not let either leg of the breaker touch the chassis. You could be electrocuted and permanent damage could be done to the amplifier.**

- 5 Disconnect the two 15-pin connectors at the sides of the display board and the two 3-pin connectors at the bottom.

If the amplifier is fitted with a NexSys controller card, which would be piggybacked on the display board, lift it up to separate it from the display board and separate it from the harness.

- 6 Remove the display board's four mounting screws.
- 7 Lift the display board out from the chassis.

*Before continuing, visually inspect the display board for obvious defects, burns, etc. In the unlikely event that a board is damaged beyond repair, please call Crest Audio for service.*

- 8 If the fuse had blown, first check BR1, an RS202 bridge rectifier with an ohmmeter or diode tester. Replace it if necessary.

*In the display board circuitry, BR1 lies right after the fuse. If you have no LED's and the amplifier power supply is all right (you checked it in Steps 1 through 3) but the fuse has blown, BR1 is probably shorted. If not, continue component level troubleshooting.*

- 9 Check IC1, an LM614CN quad op-amp by replacing it with a new one. Set the display board back into the chassis and reconnect it.

Place the display board fuse back in its holder; use a new one, if necessary. Turn the Variac up and turn the amplifier on. If the LEDs are not yet lighting properly, shut the amplifier off and the Variac off, remove the display board, and continue troubleshooting further with Step 10.

- 10 Use an ohmmeter, in-circuit transistor tester, or diode tester to check the LEDs, diodes, and transistors on the display board. Replace any that are defective.
- 11 Place the display board back into the chassis and reattach all of the connectors. Insert and tighten the four mounting screws.

Turn the amplifier on and turn up the Variac to full mains voltage. If the LEDs do not work on both channels (even if one or both channels stays in protect), turn off the Variac and the amplifier and repeat Steps 3 through 13.

If the LEDs work on both channels and neither channel remains in protect after the amplifier is turned on, check the amplifier's audio performance to see if it requires any further repair.

If the LEDs work on both channels but one or both channels remain in protect when the amplifier is turned on, go to Chapter 4, Troubleshooting and Repairing the Output Modules, to test and, if necessary, repair the output modules. After that, continue with Step 14, below.

- 12 If one or both channels stay in protect and the output module(s), power supply, and display board work properly, the wiring harness or the fan driver circuitry are the most likely suspects.

*Next, test the wiring harness: Reference respective Schematic #4.*

- 13 Visually inspect the wiring harness for broken wires, loose pins in the sockets, broken or punctured wire insulations, etc. In particular, check anywhere that a harness wire may have been pinched between the chassis and the top cover, heatsink, etc.
- 14 If you find any signs of physical damage or otherwise suspect an open circuit in a harness wire or connector, check it with an ohmmeter. Repair or replace any damaged harness components.

*Next, check the fan driver circuitry, which not only senses the heatsink temperatures and modulates the fan speed to meet the cooling needs, but is also the interface between the "protect" section of the display board and the output relays (Reference Schematic #5). The fan driver circuitry on the 4801 is located on the power supply board, and on the 3301, 4601, 6001 and 7001, it is located on a separate board.*

- 15 Locate the two LM317T voltage regulators; on the 6001 and 7001 they are mounted to the metal shield, which serves as a heatsink, between the output modules and the power transformer. On the others, they have their own separate heatsinks.
- 16 Turn the amplifier on and turn the Variac up to full line voltage. Check the DC voltages at the center leg of each regulator with respect to the chassis ground. You should find +14 volts DC on the center leg of IC1, and +27 volts DC on the center leg of IC3.

If not, turn the Variac off and wait a minute for the power supply capacitors to discharge. Replace IC2, an LM393N, with a new device, then turn up the Variac again and recheck the regulator voltages.

If the voltages are still incorrect, turn off both the amplifier and the Variac. Wait a minute while the supply capacitors discharge, then measure the pin-to-pin resistances on each LM317T.

*If IC1 is faulty, it will affect the fan's operation. If IC3 is bad, at turn-on the amplifier will come out of protect sluggishly or not at all.*

If you find either an open circuit or a short circuit between any two pins of a device, visually inspect the board and check the surrounding components using an ohmmeter and a transistor tester or diode tester. (On the 6001 and 7001, removing from the chassis the shield on which the board is mounted makes this step much easier.) Unsolder and remove the suspected defective device(s) from the board and check the components to determine whether the fault is in the regulators or the surrounding circuitry. Replace any faulty components and retest the circuitry.

Reattach the shield/fan driver board assembly to the chassis, if you had removed it.

*Next, check the power supply board: Reference respective Schematic #6.*

- 17 Turn the amplifier on and turn up the Variac to full line voltage. Measure the positive and negative rail voltages (see Figure 6-1, points 1 and 2).

*In the 4801, 6001, and 7001, bridge rectifier BR1, an MP14040 is the rectifier for the positive high and low rails, while BR2, also an MP14040, is the rectifier for the negative high and low rails. In the 3301 and 4601, BR1 is the only rectifier in the power supply, and it produces both the positive and negative rails.*

- 18 If the negative and positive voltages do not match to within approximately one volt, the power supply has a problem. Turn off the amplifier and the Variac and wait a minute to allow the power supply capacitors to discharge.

If a rail voltage is lagging, check the suspect bridge rectifier, using an ohmmeter or diode tester. Replace any that are faulty.

*To replace the defective rectifiers, you must remove the power supply board.*

Remove the six phillips head screws from the left rear bottom side of the chassis, then cut all tie wraps around the module output wires. Be careful to avoid damaging any wires. Remove the black & white output wires from the output binding posts.

- 19 Carefully lift the board up and out of the chassis.

Unsolder the damaged bridge rectifier from the top of the board, then remove and replace it. Solder the new rectifier in place, place the board back into the chassis, and re-attach the output wires to the binding posts (black wire to black binding post, and white wire to red binding post). Put new tie wraps on the module output wires and re-install the mounting screws for the board.

- 20 Re-test the rail voltages.

*Check the output relays.*

- 21 Turn the amplifier and Variac off and wait a minute to allow the power supply capacitors to discharge.
- 22 On models 4801, 6001, and 7001, use an ohmmeter to measure the resistance between ground and each output module's white wire. A short circuit to ground at either point indicates a probable defective output relay.

To replace an output relay on a 4801, 6001, or 7001, remove the power supply board (see Step 18 above) and unsolder it from the board. Solder the new relay in its place and re-install the board.

On models 3301, 4601 use an ohm-meter to check for shorts at normally open contacts of the output relays.

To replace an output relay on a 3301 or 4601, desolder the relay from the bottom of the PC board and replace it with a new one.

*If the power supply capacitors are defective or appear to be defective .*

23 Be sure that the amplifier is disconnected from the AC mains!

Use the procedure described in step 18 to remove the power supply board.

Desolder the defective capacitor(s) from the bottom of the board and replace them with new .

Thank you for spending time in Crest Audio's neighborhood. Come back soon! See ya!

**CREST AUDIO PROFESSIONAL SERIES 3301, 4601, 4801, 6001, 7001 DOMESTIC  
PARTS AND PRICE LIST.**

**PARTS FOUND ON SCHEMATIC #1 HEATSINK PCB.**

DESCRIPTION	P/N	LOCATION	\$	REFERENCE
RECTIFIER MR2406R	70000009	B-2HSK	\$5.00	D44,45
SENSOR LM35DZ	83000004	B-8HSK	\$3.00	IC5
TRANSISTOR 2SA1302	94000006	B-3-6HSK	\$7.00	Q23,27 etc.
TRANSISTOR 2SC3281	94000010	C-3-6HSK	\$7.00	Q24,28 etc.
TRANSISTOR TIP117	94000026	B-7HSK	\$2.00	Q17
TRANSISTOR 2SA1006	94000055	C-8HSK	\$3.00	Q16,19,21
TRANSISTOR 2SC2336	94000058	B-8HSK	\$3.00	Q15,20,22
CAPACITOR 47uFD 16V RL	12000008	B/C-3	\$1.00	C34,35
CAPACITOR 100uFD 16V RL	12000009	C-7	\$1.00	C30
CAPACITOR 22uFD 160V AL	13000005	B/D-2	\$2.00	C43,44
CAP. 220uFD 80V AL	13000009	B/C-2	\$2.00	C47,48
CAP. .0047uFD 100V RL	14000003	B/C-6	\$1.00	C32,33
CAP. .047uFD 250V RL	14000006	B/D-6	\$1.00	C45,46
CAP. .1uFD 100V RL	14000009	C-7	\$1.00	C29
CAP. 2.2uFD 100V RL SIE.	14000015	B/C-2	\$3.00	C49,50
CAP. 1.5uFD 250V RL	14000019	B/D-2	\$2.00	C40,41
CAP. 150pFD 500V	17000006	B/D-2	\$1.00	C36,37
CAP. 330pFD 500V	17000008	B/C-7	\$1.00	C31,38,39
CAP. 1200pFD 500V	17000010	C-8	\$2.00	C28
CAP. 2200pFD 500V	17000011	C-3	\$2.00	C42
CONNECTOR 17 PIN MOLEX	24000065	C-8	\$3.00	M4
DIODE FR204B	27000006	B/C-4	\$1.00	D32-35

DIODE IN4004	27000008	B/C-3	\$1.00	D38,39
DIODE IN4148	27000009	B/C-6	\$1.00	D36,37
DIODE IN5928C	27000025	B/C-3	\$2.00	Z8,9
POTENTIOMETER 250 TRIM	68000003	C-8	\$1.00	VR2
RECTIFIER SF14	70000011	B/C-4	\$2.00	D28-30,40-43
RESISTOR 0 OHM 1/4w 5%	74000002		\$0.25	JU1
RESISTOR 22 OHM 1/4w 5%	74000006	C-7	\$0.25	R14
RESISTOR 220 OHM 1/4w 5%	74000014	C-8	\$0.25	R91
RESISTOR 390 OHM 1/4w 5%	74000020	B/C-3	\$0.25	R134,135
RESIST. 510 OHM 1/4w 5%	74000022	B-8	\$0.25	R90
RESIST. 1K OHM 1/4w 5%	74000029	B/D-2	\$0.25	R161,162
RESIST. 2.2K OHM 1/4w 5%	74000033	B-7	\$0.25	R165
RESIST. 3.9K OHM 1/4w 5%	74000035	B/C-2	\$0.25	R132,133
RESIST. 13K OHM 1/4w 5%	74000043	B-6	\$0.25	R96,97
RESIST. 24K OHM 1/4w 5%	74000061	B/C-6	\$0.25	R98,99
RESIST. 51 OHM 1/2w 5%	75000004	B/C-7	\$0.50	R142,143
RESIST. 100 OHM 1/2w 5%	75000005	B/C-3	\$0.50	R136,137
RESIST. 2.2K OHM 1/2w 5%	75000009	C-2	\$0.50	R158,159
RESIST. 51.1 OHM 1w 1%	75500001	B/C-8	\$2.00	R92,93
RESIST. 2.2 OHM 1w 5%	76500001	B/C-4-6	\$0.75	R111,113etc.
RESIST. 4.7 OHM 1w 5%	76500002	B/C-7	\$0.75	R89,94
RESIST. 10 OHM 1w 5%	76500003	B/C-6	\$0.75	R100,138etc.
RESIST. 150 OHM 1w 5%	76500006	C-7	\$0.75	R102,103
RESIST. 20K OHM 1w 5%	76500010	B/C-3	\$0.75	R119,120
RSEIST. 30 OHM 2w 5%	77000005	B/C-6	\$0.95	R106,107
RESIST. 51 OHM 2w 5%	77000008	C-6	\$0.95	R104
RESIST. 200 OHM 2w 5%	77000011	C-7	\$0.95	R101

RESIST. .2 OHM 5w 5%	77500001	B/C-3-5	\$1.50	R150-155
RESIST. .33 OHM 5w 5%	77500003	B/C-4-5	\$1.50	R112-130even #s
RESIST. 390 OHM 5w 5%	77500007	B/C-3	\$1.50	R140,141
SPACER 1/4 ROUND 6-32	86000001	HSK	\$1.00	
TIE WRAP 4" INCH	92000001	HSK	\$0.20	
SHOULDER WASHER (mod)	52000001	HSK	\$0.20	
MAINS LINE CORD	96000002	CHASSIS	\$8.00	
SCREW BLK. NYLON 40-3/8	34000001	HSK	\$0.20	
SCR. SOCKET HD. 4-40 1/2	39000001	HSK	\$0.20	
WASHER FLAT ZINC	48000001	HSK	\$0.20	
SHOULDER WASHER (std)	52000003	HSK	\$0.20	
HEATSINK CLIP	53000001	HSK	\$1.00	
INSULATOR GRN. 1-1/16w	55000006	HSK	\$2.00	
SPACER 1/4 RD. 4-40-3/16	86000002	HSK	\$1.00	



## PARTS FOUND ON SCHEMATIC #2 PREAMP PCB.

DESCRIPTION	P/N	LOCATION	\$	REFERENCE
CAPACITOR 1uFD 50V RL	1200002	B-7	\$1.00	C11,12
CAPACITOR 100uFD 35V RL	1200010	D-7	\$1.00	C1
CAP. 470 uFD 16V RL	1200013	B/D-3	\$1.00	C14-17
CAP. 47 uFD 35V RL	1200023	D-6	\$1.00	C2
CAP. 10uFD 35V RL	1200024	D-4	\$1.00	C13
CAP. .001uFD 100V RL	1400001	B-6	\$1.00	C10
CAP. .1uFD 100V	1400009	C-6 D-7	\$1.00	C3-7
CAP. .47 uFD 250V	1400012	B/D-3	\$1.00	C18,19
CAP. 2.2uFD 100V RL SIE.	1400014	C-5-7	\$3.00	C8,9
CAP. 30pFD 500V RL	1700003	C-6	\$1.00	C4,6
CAP. 470pFD 500V	1700009	D-6	\$1.00	C5
CONNECTOR 13 PIN MOLEX	2400062	D-8	\$2.00	J2
CONNECTOR 15 PIN MOLEX	2400063	B-8	\$2.00	J3
DIODE IN4148	2700009		\$1.00	D1-17,21
DIODE IN5353B	2700011	B/D-3	\$2.00	Z1,2
DIODE IN5938B	2700016	B/D-3	\$2.00	Z3,4
HEATSINK CLIP	5300002		\$0.50	
IC RC4559N	5700011	B/C-6	\$3.00	IC2
IC NE5532AN	5700024	C-5-6	\$4.00	IC1
IC LM2901 or LM339N	5700026	B/C-5-6	\$2.00	IC3
IC NE5517AN	5700027	D-4	\$5.00	IC4
RECTIFIER SF14	7000011	C-1	\$3.00	D18,19

RESISTOR 1K OHM 1/4w .1%	73000001		\$2.00	R41,42,44
RESIST. 100K OHM 1/4w.1%	73000002		\$2.00	R45-48
RESIST. 68.1 OHM 1/4w 1%	73500005		\$0.50	R61,62,67,68
RESIST. 499 OHM 1/4w 1%	73500016	D-4	\$0.50	R34
RESIST. 511 OHM 1/4w 1%	73500017	B/D-3	\$0.50	R59,60
RESIST. 549 OHM 1/4 1%	73500019	C-1-5	\$0.50	R20,80
RESIST. 750 OHM 1/4w 1%	73500020	D-4	\$0.50	R35
RESIST. 8.25K OHM 1/4w1%	73500035	C-2,3	\$0.50	R63,64
RESIST. 10K OHM 1/4w 1%	73500036		\$0.50	R6,7,8,15
RESIST. 20K OHM 1/4w 1%	73500039	C-8	\$0.50	R12
RESIST. 1.5K OHM 1/4w 1%	73500100	D-4	\$0.50	R32
RESIST. 0 OHM 1/4w 5%	74000002	D-2	\$0.25	R73
RESIST. 47 OHM 1/4w 5%	74000007	B/D-1	\$0.25	R74,75
RESIST. 100 OHM 1/4W 5%	74000009		\$0.25	R57,58,71,72
RESIST. 1K OHM 1/4w 5%	74000029	B/D-6	\$0.25	R9,26
RESIST. 2.2K OHM 1/4w 5%	74000033		\$0.25	R18,27,29,49,55,56
RESIST. 2.7K OHM 1/4w 5%	74000034	C-2	\$0.25	R78
RESIST. 4.7K OHM 1/4w 5%	74000037	D-7	\$0.25	R5,17,31
RESIST. 10K OHM 1/4w 5%	74000042		\$0.25	R3,6,7,8,19etc
RESIST. 15K OHM 1/4w 5%	74000044	D-8	\$0.25	R1
RESIST. 22K OHM 1/4w 5%	74000046	D-7	\$0.25	R4,11,33
RESIST. 47K OHM 1/4w 5%	74000050	D-4-5	\$0.25	R30,37
RESIST. 100K OHM 1/4w 5%	74000051		\$0.25	R10,21,52,53
RESIST. 150K OHM 1/4w 5%	74000052	C-7	\$0.25	R16
RESIST. 220K OHM 1/4w 5%	74000054	D-6	\$0.25	R13
RESIST. 330K OHM 1/4w 5%	74000056	D-8	\$0.25	R2

RESIST. 680K OHM 1/4w 5%	74000059	SELECT	\$0.25	R39,40
RESIST. 1MEG OHM 1/4w 5%	74000060	B-4	<del>\$0.25</del>	R51,54
RESIST. 3.3K OHM 1/4w 5%	74000071	D-3	\$0.25	R36
RESIST. 11K OHM 1w 1%	75500002	C-1	\$2.00	R79
RESIST. 8.2K OHM 2w 5%	77000018	7001	\$0.95	R69,70
RESIST. 27K OHM 2w 5%	77000021	7001	\$0.95	R76,77
RESIST. 680 OHM 10w 5%	79500006	6001	\$1.50	R65,66
RESISTOR NETWORK C4712A	82000002		\$3.00	SIP1
SOCKET 8 PIN	85000003		\$0.50	
SOCKET 14 PIN	85000004			
SOCKET 16 PIN	85000005		\$0.50	
TRANSISTOR MPSA75	94000024	D-6	\$2.00	Q3
TRANSISTOR 2N5401	94000049		\$1.00	Q5,7,9,11,13,15
TRANSISTOR 2N5551	94000050		\$1.00	Q2,4,6,8,10,12,14
RESIST. 6.8K OHM 2w 5%	77000022	4801,6001	\$0.95	R69,70
RESIST. 20K OHM 2w 5%	77000023	4801,6001	\$0.95	R76,77
RESIST. 560 OHM 10w 5%	79500008		\$2.00	
RESIST. 620 OHM 10W 5%	79500013	4801	\$1.50	R65,66
RESIST. 750 OHM 10W 5%	79500012	7001	\$1.50	R65,66

## PARTS FOUND ON SCHEMATIC #3 DISPLAY PCB

DESCRIPTION	P/N	LOCATION	\$	REFERENCE
CAPACITOR 470uFD 25V	12000001	ON BACK	\$2.00	C6
CAPACITOR 1uFD 50V	12000002	C-3-6	\$1.00	C1,2
CAPACITOR 470uFD 6.3V	12000012	C-3-6	\$1.00	C3,4
CAP. 100uFD 25V	12000016	C-3-6	\$1.00	C7,8
CAP. 470uFD 50V AL	13000010	D-6	\$2.00	C9
CAP. .1uFD 100V	14000009	C-4	\$1.00	C5
CONNECTOR 3 PIN MOLEX	24000051	ON BACK	\$0.50	M7,8
CONNECTOR 15 PIN MOLEX	24000063	C-1-8	\$2.00	M5,6
DIODE IN4004	27000008	D-7	\$1.00	D1,20
DIODE IN4148	27000009		\$1.00	D2-12,14-19
DIODE IN5927C	27000014	C-4-5	\$2.00	Z1,2
MINI-FUSE 3AMP	30000005	D-7	\$1.50	F1
MINI-FUSE CLIP	31000001		\$0.50	
IC LM614CN	57000008		\$6.00	IC1
LED RED	60000007		\$0.75	LED1,2,5,6
LED GREEN	60000008		\$0.75	LED3,4,7,8
POTENTIOMETER 5K	68000010	A-2-7	\$6.00	VR1,2
RECTIFIER BR81D	70000001	D-7	\$3.00	BR1
RESISTOR 499 OHM 1/4w 1%	73500016	B-5	\$0.50	R35,36
RESISTOR 750 OHM 1/4w 1%	73500020	B-4-5	\$0.50	R23,24
RESIST. 84.5K OHM 1/4w1%	73500074	7001 SEL.	\$0.50	R40,41
RESIST. 390 OHM 1/4w 5%	74000020	B-3-6	\$0.25	R27,28
RESIST. 1K OHM 1/4w 5%	74000029	B-5	\$0.25	R21
RESIST. 2.2K OHM 1/4w 5%	74000033	B-5	\$0.25	R37

RESIST. 2.7K OHM 1/4w 5%	74000034		\$0.25	R5,6,9,10,15-18
RESIST. 4.7K OHM 1/4w 5%	74000037		<del>\$0.25</del>	R25,26,33,34
RESIST. 5.1K OHM 1/4w 5%	74000038		\$0.25	R19,20
RESIST. 10K OHM 1/4w 5%	74000042		\$0.25	R3,4,13,14,29
RESIST. 100K OHM 1/4w 5%	74000051		\$0.25	R7,8,38,39
RESIST. 390K OHM 1/4w 5%	74000057	B-5	\$0.25	R31,32
RESIST. 33 OHM 2w 5%	77000006		\$0.95	R42
RESIST. 5K OHM 5w 10%	78000008	C-3-6	\$1.25	R11,12
RESIST. 60.4K OHM 1/4w1%	73500141	SEL.4801	\$0.50	R40,41
RESIST. 73.2K OHM 1/4w1%	73500140	SEL.6001	\$0.50	R40,41
SOCKET 16 PIN	85000005		\$0.50	
TAB 1/4	90000003	ON BACK	\$0.50	
TRANSISTOR 2N5551	94000003		\$1.00	Q1-4
TRIAC MAC97	94000013	C-3-6	\$2.00	TR1,2
TRANSISTOR MPSA75	94000024	B-2-7	\$2.00	Q5,6
SPACER RD. 1/4 6-32 5/8	86000016		\$1.00	SP1-4

## PARTS FOUND ON SCHEMATIC #5 FAN DRIVER PCB.(6001, 7001 ONLY)

DESCRIPTION	P/N	LOCATION	\$	REFERENCE
CAPACITOR 10uFD 50V RL	12000005	C-4	\$1.00	C3
CAPACITOR .1uFD 100V	14000009	C-2	\$1.00	C1
CONNECTOR 15 PIN MOLEX	24000063	B/C-1	\$2.00	J1
DIODE IN4004	27000008	D-2 C-3	\$1.00	D4,5
DIODE IN4148	27000009	B-8 C-3	\$1.00	D1,3
DIODE IN5363B	27000013	C-5	\$2.00	Z1
IC LM393N	57000006	C-6-8	\$2.50	IC2
REGULATOR LM317T	71000001	C/D-3	\$2.00	IC1,3
RESISTOR 221 OHM 1/4w 1%	73500011	B-3 D-2	\$0.50	R2,17
RESISTOR 1K OHM 1/4w 1%	73500023	B-7 C-6	\$0.50	R11,12
RESIST. 39.2K OHM 1/4w1%	73500043	B-5-7	\$0.50	R9,10
RESIST. 1K OHM 1/4w 5%	74000029	B-6 C-7	\$0.25	R7,8
RESIST. 2.2K OHM 1/4w 5%	74000033		\$0.25	R3,5,6
RESIST. 4.7K OHM 1/4w 5%	74000037	C-2	\$0.25	R16
RESIST. 100K OHM 1/4w 5%	74000051	B-4	\$0.25	R4
RESIST. 390 OHM 2w 5%	77000012	D-4	\$0.95	R1
RESIST. 680 OHM 10w 5%	79500006	7001	\$1.50	R14,15
RESIST. 620 OHM 10w 5%	79500013	6001	\$1.50	R14,15
SOCKET 8 PIN	85000003		\$0.50	
TRANSISTOR MPSA13	86000007	C-4	\$1.00	Q1
SCREW 4-40 3/8 PAN.	33000006	HSK.	\$0.20	
SCREW 6-32 5/16 PAN BLK.	35000002	HSK.	\$0.20	
SHOULDER WASHER (REGLTR)	52000003	HSK.	\$0.20	
INSULATOR(REGULATOR)	55000001	HSK.	\$0.50	

**PARTS FOUND ON SCHEMATIC #6 POWER SUPPLY PCB.**

DESCRIPTION	P/N	LOCATION	\$	REFERENCE
CAPACITOR .047uFD	14000007	C-4	\$1.00	C1,2
CAPACITOR .15uFD 400V	15000001		\$2.00	C11,12
CAP. 10,000 uFD 67V	18000006	7001	\$12.00	C3-10
CONNECTOR 4 PIN MOLEX	24000052	6001,7001	\$0.50	M1
DIODE IN4004	27000008		\$1.00	D1,2,3,4,7
BR. RECTIFIER MP14040W(7)	70000008	6001,7001 (BOTTOM)	\$12.00	BR1,2
RELAY 24 VOLT	72000003	C/D-3-6	\$8.00	RL1,2,3,4
RESISTOR 33 OHM 2w 5%	77000006		\$0.95	R7,8
RESIST. 1 OHM 10w 5%	79500001	C/D-4	\$1.50	R3,4
RESIST. 10 OHM 10w 5%	79500002	C/D-4	\$1.50	R1,2
RESIST. 15 OHM 25w 5%	81000001	7001	\$5.00	R5,6
CAPACITOR 10uFD 50V RL	12000005	4801	\$1.00	
CAPACITOR .1uFD 100V RL	14000009	4801 BOT.	\$1.00	
CAP. 17,000uFD 55V	18000015	4801	\$12.00	
CONNECTOR MOLEX	24000077		\$2.00	
DIODE IN4148	27000009	4801	\$1.00	
DIODE IN5363	27000013	4801	\$2.00	
MINI-HEATSINK	54000002	4801	\$1.50	
FISH PAPER 1/4in	56000001	4801	\$2.00	
IC LM393	57000006	4801	\$2.50	
BR. RECTIFIER MB352(4801)	70000006	4801 BOT	\$8.00	
REGULATOR LM317T	71000001	4801	\$2.00	
RESIST. 221 OHM 1/4w 1%	73500011	4801	\$0.50	
RESIST. 1K OHM 1/4w 1%	73500023	4801	\$0.50	

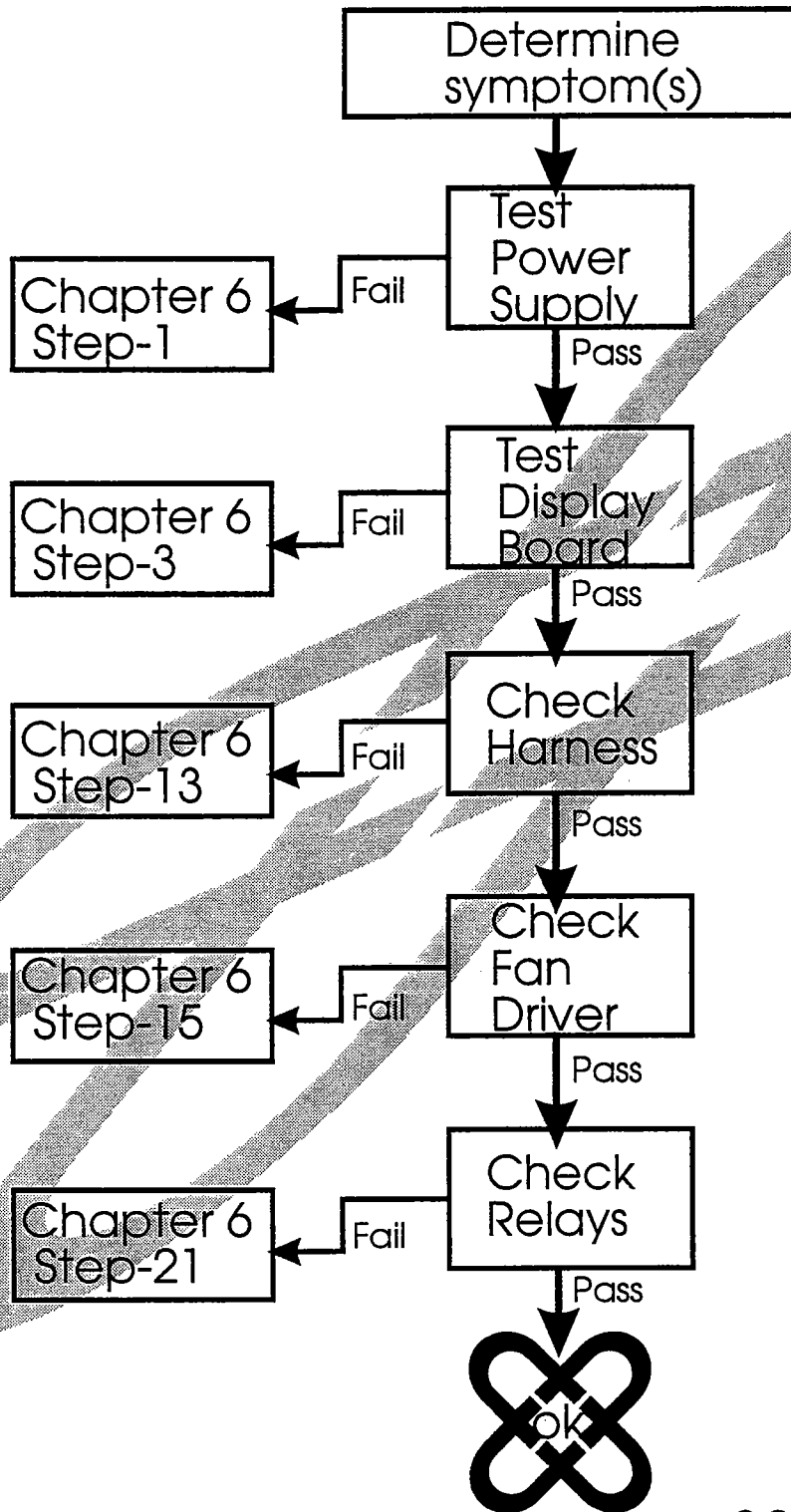
RESIST. 39.2K OHM 1/4w1%	73500043	4801	\$0.50	R9,10
RESIST. 1K OHM 1/4w 5%	74000029	4801	\$0.25	<del>---</del> R7,8
RESIST. 2.2K OHM 1/4w 5%	74000033	4801	\$0.25	R3,5,6
RESIST. 4.7K OHM 1/4w 5%	74000037	4801 D-4	\$0.25	R16
RESIST. 100K OHM 1/4w 5%	74000051	4801	\$0.25	R4
RESIST. 390 OHM 2w 5%	77000012	4801 D-6	\$0.95	R1
RESIST. 560 OHM 10w 5%	79500008	4801	\$2.00	
SOCKET 8 PIN	85000003	4801	\$0.50	
TAB	90000003		\$0.50	
TRANSISTOR MPSA13	94000023	4801 C-5	\$1.00	Q1
CAP. 15,000uFD 63V (6001)	18000009	6001	\$13.00	C3-10
SCREW 3-12mm PAN MTRC.	43000010	HSK.	\$0.40	
PEM NUT 6-32	45000001	HSK.	\$0.50	
SPACER 1/4 RD. 6-32	86000015	HSK.	\$1.00	
TIE WRAP 4"	92000001	HSK.	\$0.20	
SCREW 6-32 3/8PAN 4801	33000009	HSK.	\$0.20	
KEP NUT 6-32 4801	44000002	HSK.	\$0.50	
PEM NUT 6-32 6001	45000001	HSK.	\$0.50	



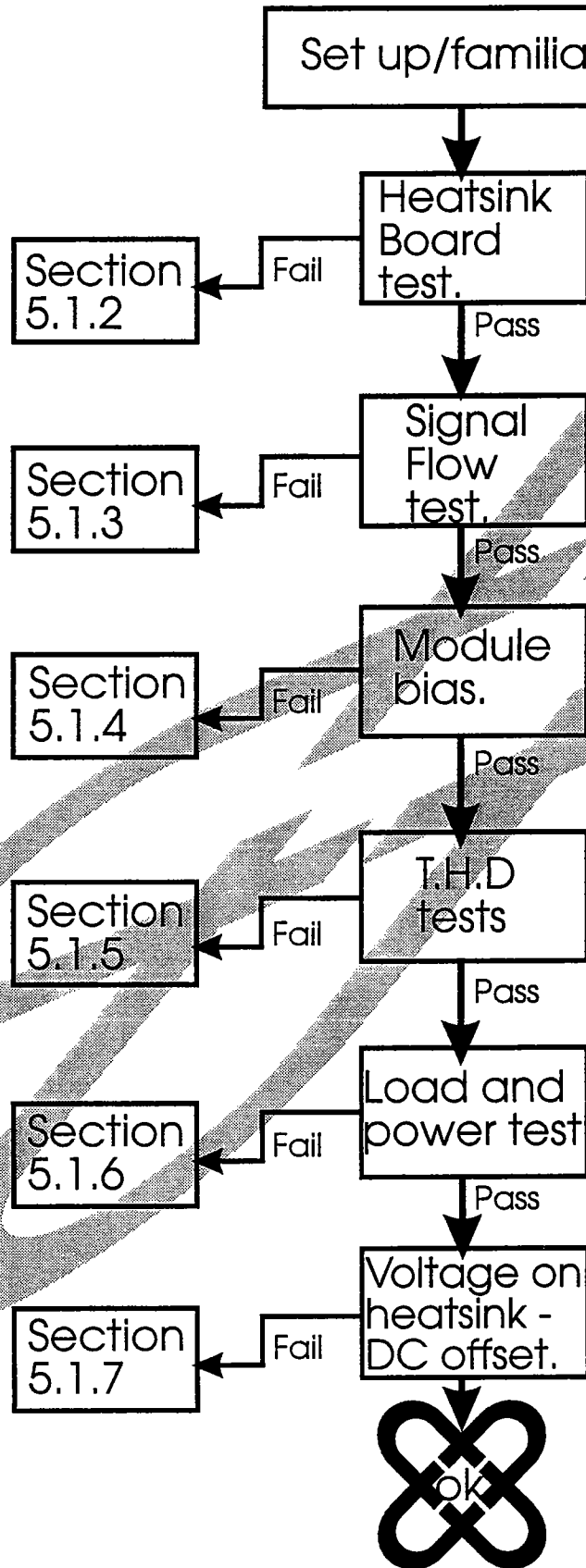
**PARTS FOUND ON SCHEMATIC #7 INPUT PCB.**

<b>DESCRIPTION</b>	<b>P/N</b>	<b>LOCATION</b> <del>—</del> <b>\$</b>	<b>REFERENCE</b>
CONNECTOR 8 PIN MOLEX	24000057	\$1.00	J9M
CONNECTOR 3 PIN	26000010	\$	
SPACER 1/4 ROUND	86000005	\$1.00	
SWITCH	89000020	\$6.00	SW1
CONNECTOR 13 PIN MOLEX	24000061	\$2.00	
SOCKET (4801, 6001)	85000008	\$4.00	
OCTAL SKT. JUMPER 11g	85500002	\$1.00	
SPACER 6-32 ROUND (48,6)	86000001	\$1.00	

# Troubleshooting "The Rest of the Amp" Flow Guide.



# Full Output Module Test Flow Guide.

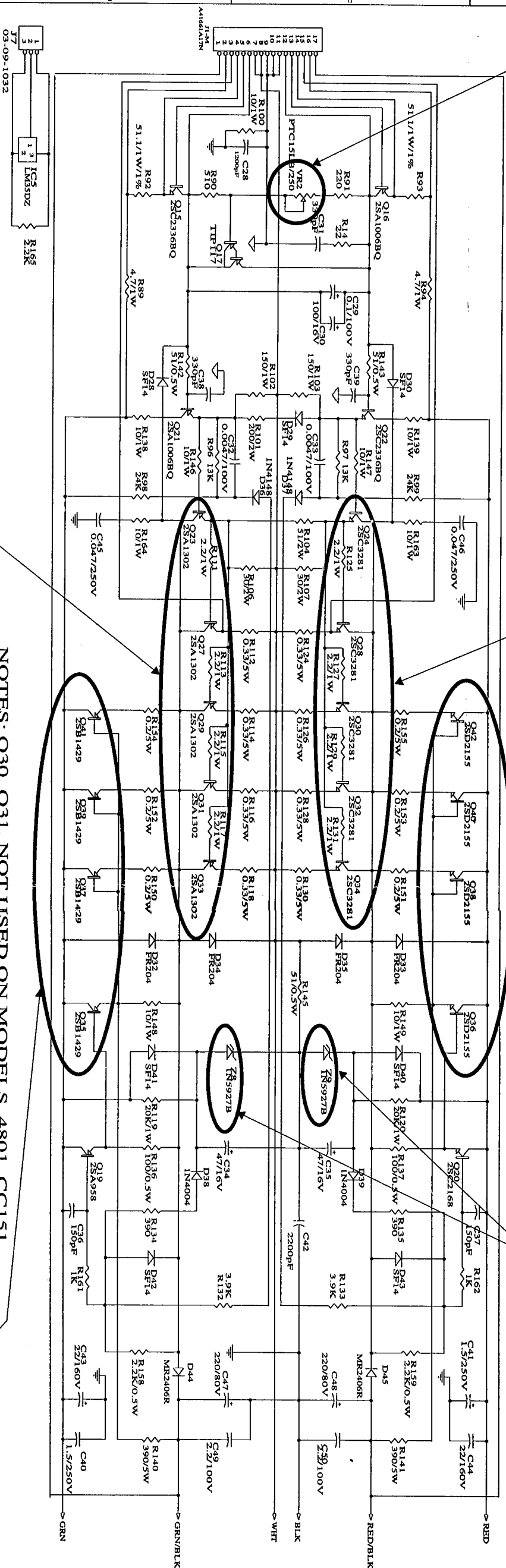


POS(+) LOW RAIL DEVICES  
NPN.

POS(+) HI RAIL DEVICES  
NPN.

BIAS ADJUST.

12 VOLT ZENER DIODES.



NEG (-) LOW RAIL DEVICES PNP.

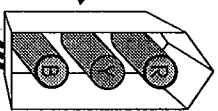
NEG (-) HI RAIL DEVICES PNP.

NOTES: Q30, Q31, NOT USED ON MODELS 4801, CC151  
Q35, 37, 39, 41 MAY BE SUBSTITUTED BY 2SA1302.  
Q36, 38, 40, 42 MAY BE SUBSTITUTED BY 2SC3281.

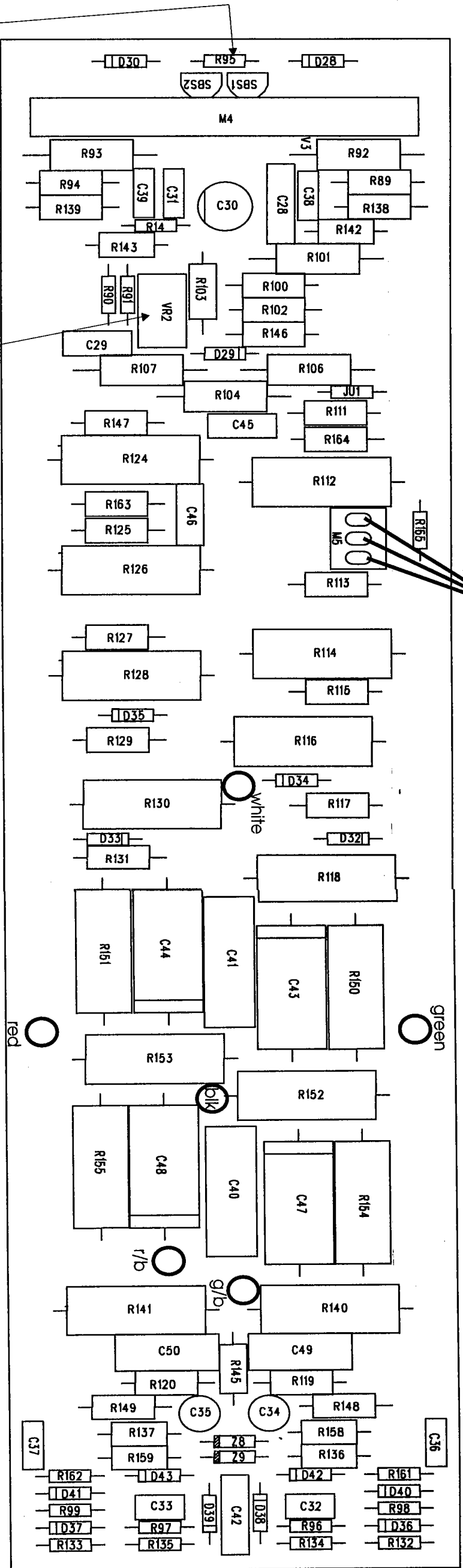
# SCHEMATIC #1 HEATSINK PCB

# COMPONENT LAYOUT #1 HEATSINK PCB 4801/6001/7001

Thermal connector



Color coded Positive and negative rail voltage, output and ground connector. See chart below for reference.



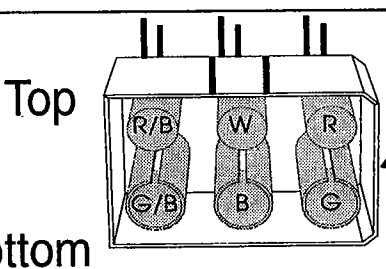
VR2 BIAS ADJUST

NOTE: SBS1, SBS2 and R95 have been removed from this circuit as of July 1991 S/N 9107XXX >

Rail Voltages (No load, at full mains voltage)

	low+	low-	hi+	hi-
4801	+52vdc	-52vdc	+104vdc	-104vdc
6001	+57vdc	-57vdc	+114vdc	-114vdc
7001	+61vdc	-61vdc	+122vdc	-122vdc

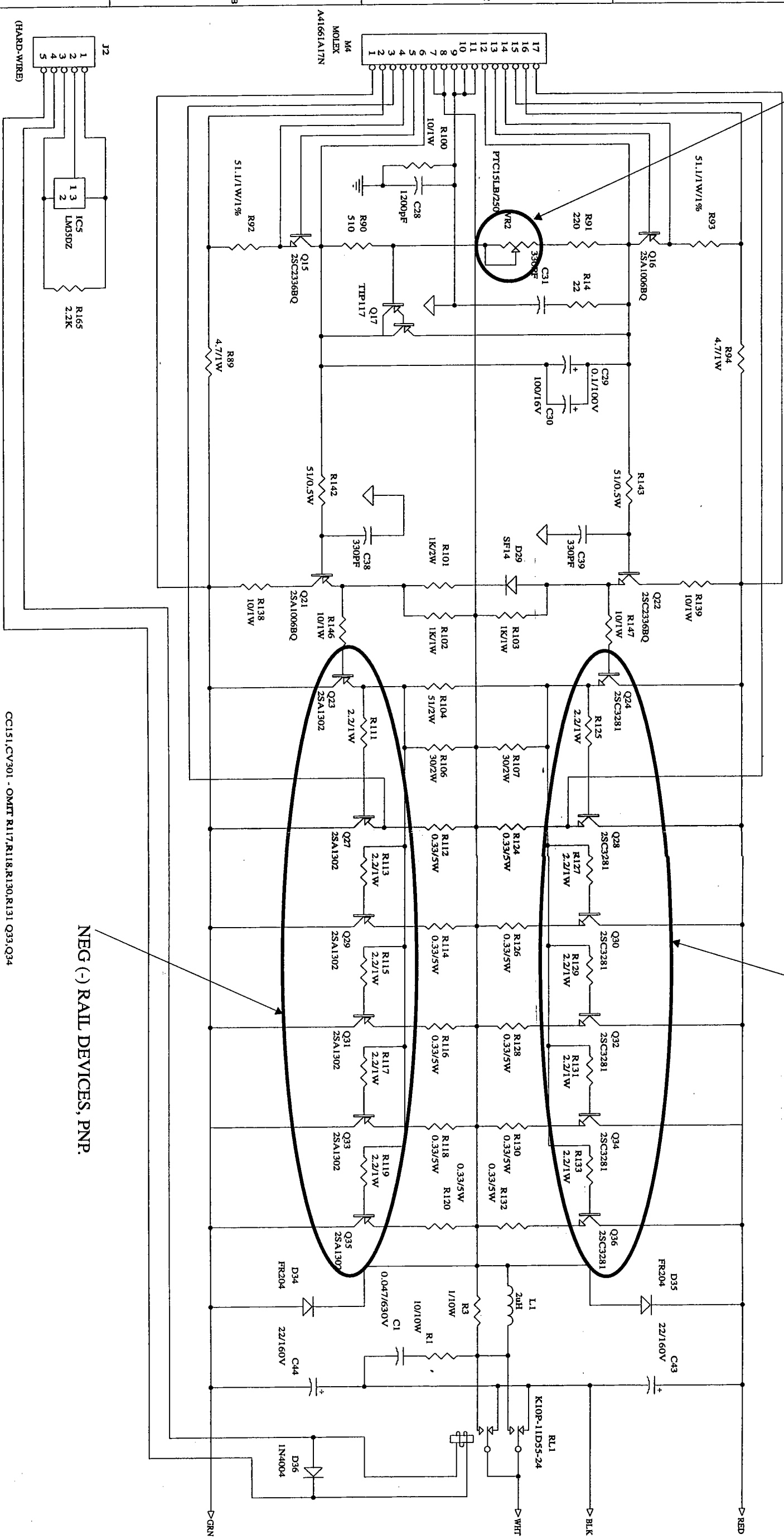
red/blk green/blk red green  
 white - output  
 black - ground



BIAS ADJUST.

POS (+) RAIL DEVICES, NPN

NEG (-) RAIL DEVICES, PNP

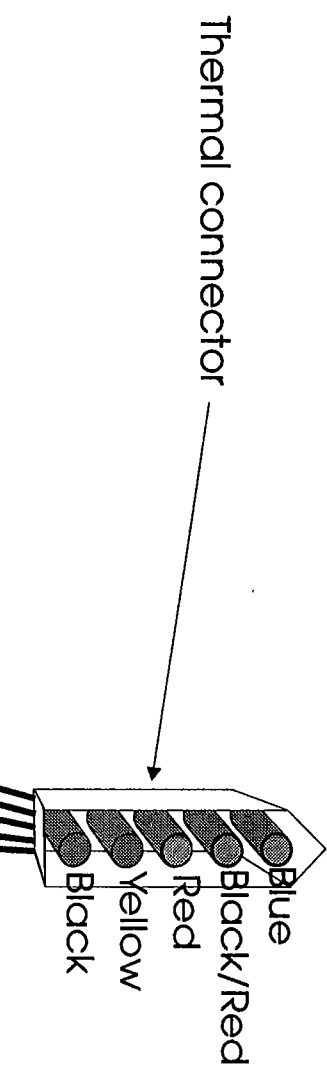


# SCHEMATIC #1A 3301/4601 HEATSINK PCB

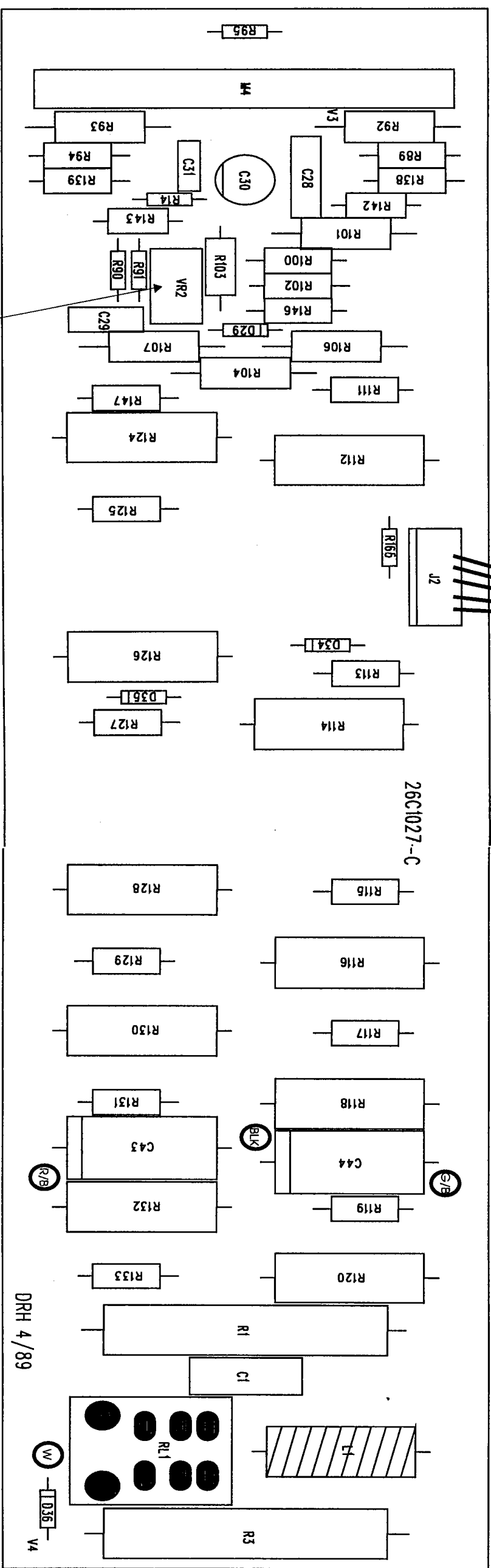
CREST AUDIO INC.  
 100 EISENHOWER DRIVE  
 PARAMUS, NJ 07652

Title		CC151, CV301, 4601, 3301 OUTPUT PCB
Size	Document Number	21B1027
Date:	OCTOBER 1992 SRVC	Sheet 1 of 1
REV	01	

# COMPONENT LAYOUT #1A HEATSINK PCB 3301/4601



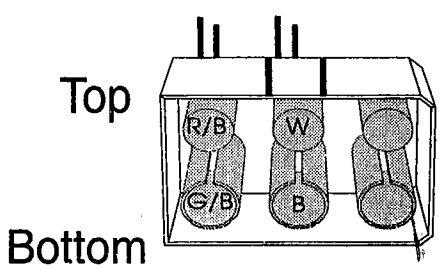
Color coded Positive and negative rail voltage, output and ground connector. See chart below for reference.

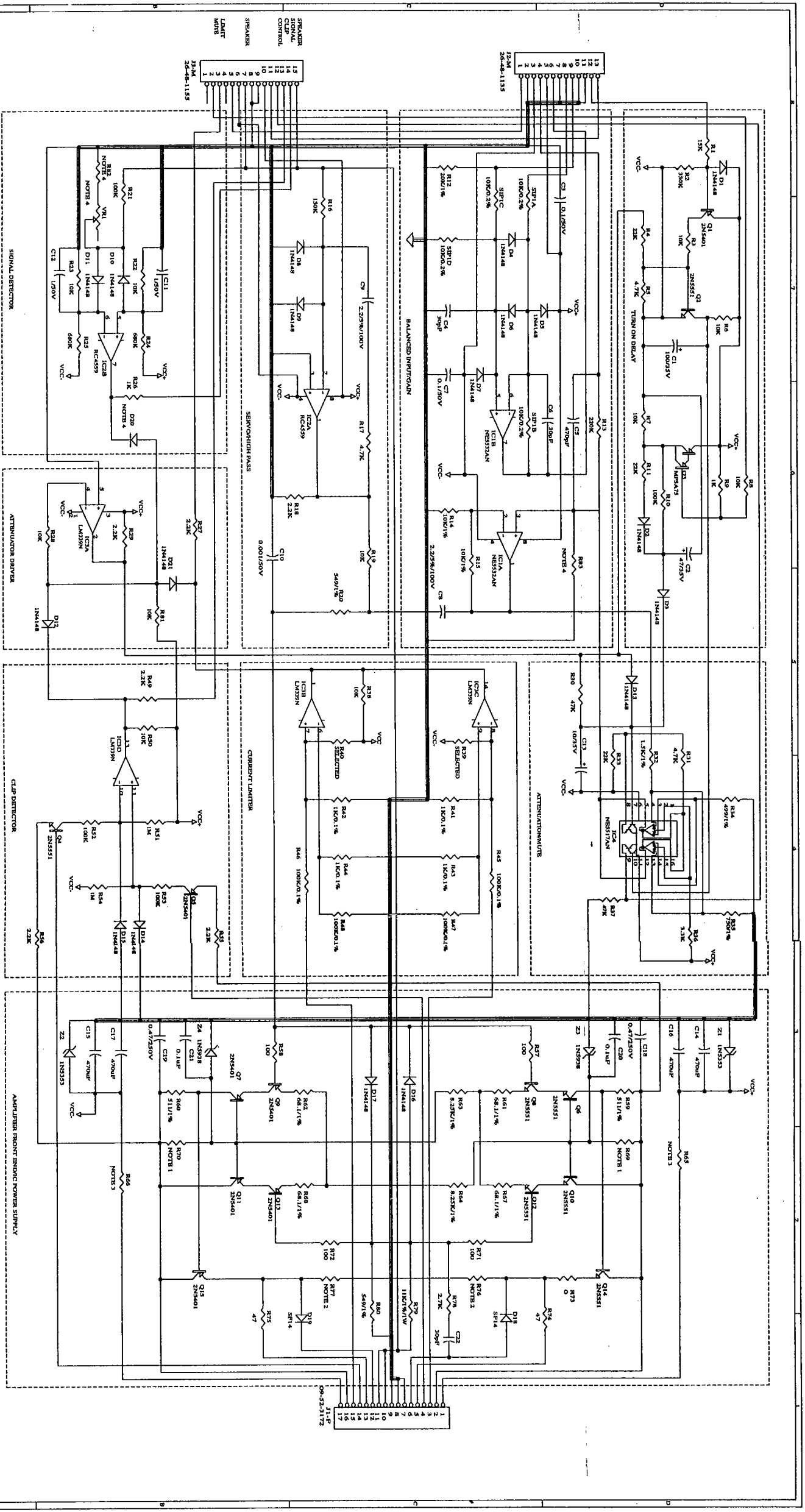


Rail Voltages (No load, at full mains voltage)

3301	+77VDC	-77VDC
4601	+84VDC	-84VDC

red/blk green/blk  
white - output  
black - ground





NOTE 1: R3K 2W ON MODELS 8001, 7001, CV601  
 6.8K 2W ON MODEL 6001, 4801  
 4.3K 2W ON MODEL 4801  
 5.6K 2W ON MODEL 5C001/200  
 3.3K 2W ON MODEL CV701, CC151, 3001  
 NOTE 2: 71K 2W ON MODEL 8001, 7001, CV601  
 30K 2W ON MODEL 4801, 4801, CC301  
 14K 2W ON MODEL 4801  
 1.8K 2W ON MODEL CV301, CC151, 3001

NOTE 3: 750 10W ON MODEL 8001, CV601  
 680 10W ON MODEL 7001  
 630 10W ON MODEL 4801  
 560 10W ON MODEL 4801, MA350  
 1.1K 10W ON MODEL 4801  
 560 10W ON MODEL CC301  
 1K 10W ON MODEL CV301, 3001  
 260 10W ON MODEL CC151

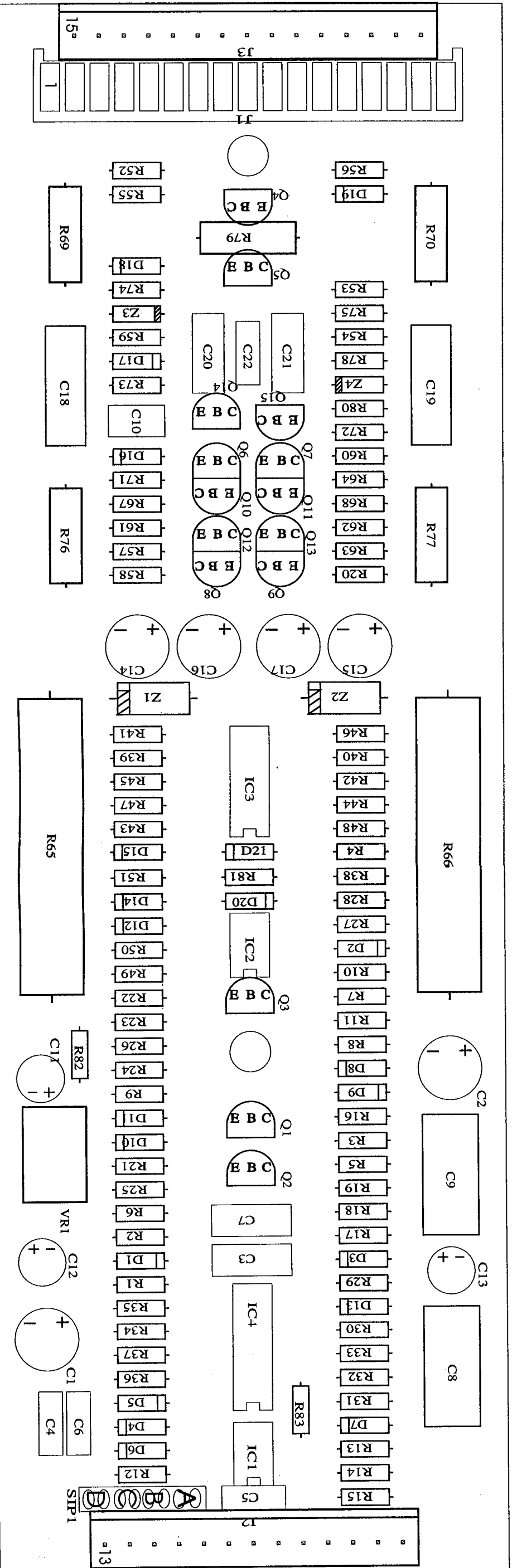
NOTE 4: R2, R3, D30, V1 ARE USED ON MODEL MA350 ONLY

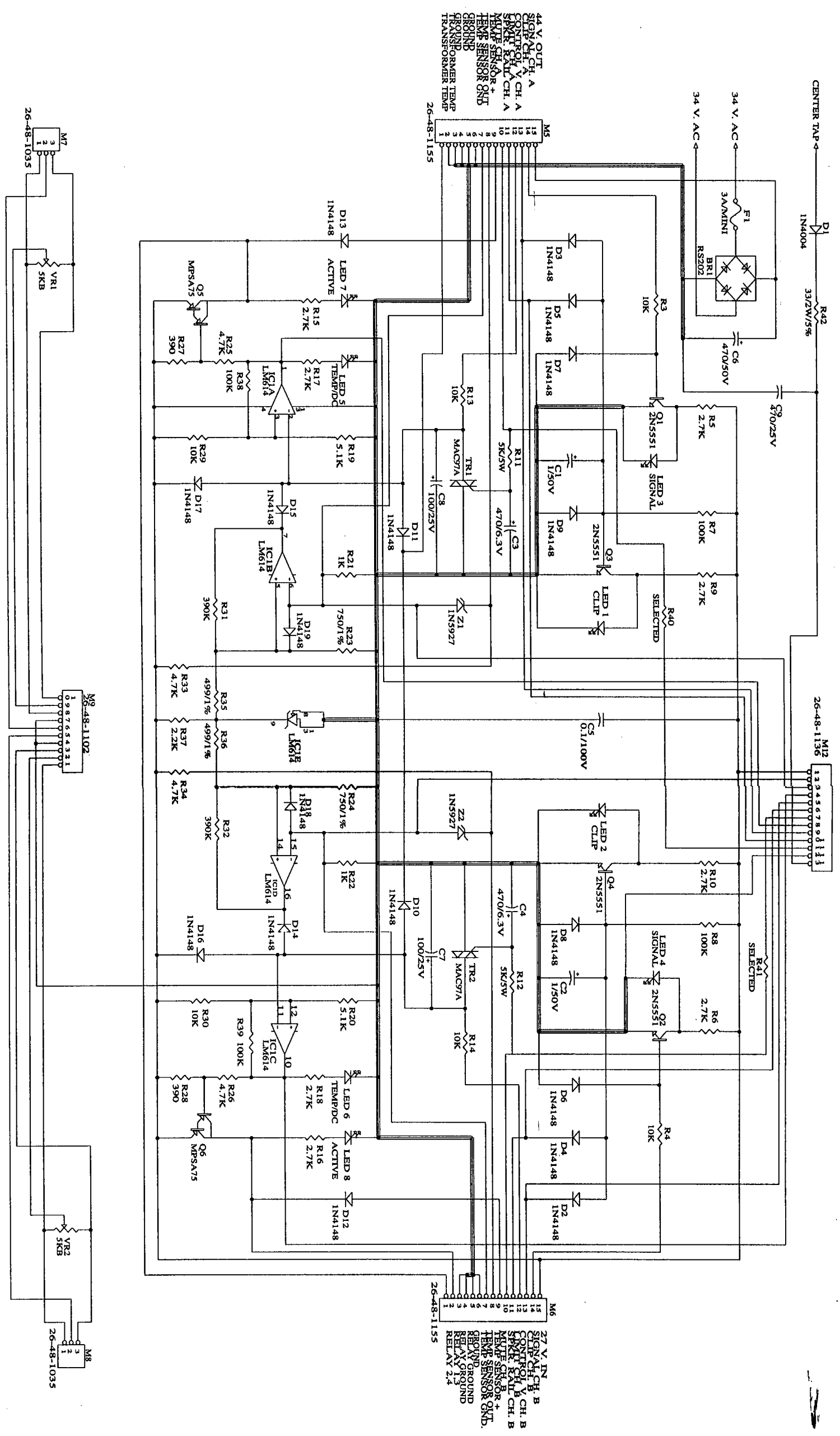
NOTE 5: PRIOR TO 6-2-92 R45, R46 WERE 180W ON MODEL CC151  
 1.1K 10W ON MODEL 4801  
 560 10W ON MODEL CC301  
 1K 10W ON MODEL CV301, CC151, 3001

# SCHEMATIC # 2 PREAMP PCB



# COMPONENT LAYOUT #2 PREAMP PCB





44 V. OUT.  
SIGN. CH. A  
CONTROL V. CH. A  
SPKR. RELAY. CH. A  
MULTI. SENS. CH. A  
TEMP. SENSOR QND  
GROUND  
RELAY GROUND  
TRANSFORMER TEMP  
26-48-1155

27 V. IN  
SIGN. CH. B  
CONTROL V. CH. B  
MULTI. SENS. CH. B  
TEMP. SENSOR QND  
GROUND  
RELAY GROUND  
RELAY 2.4  
26-48-1155

R40, R41 RESISTOR VALUES

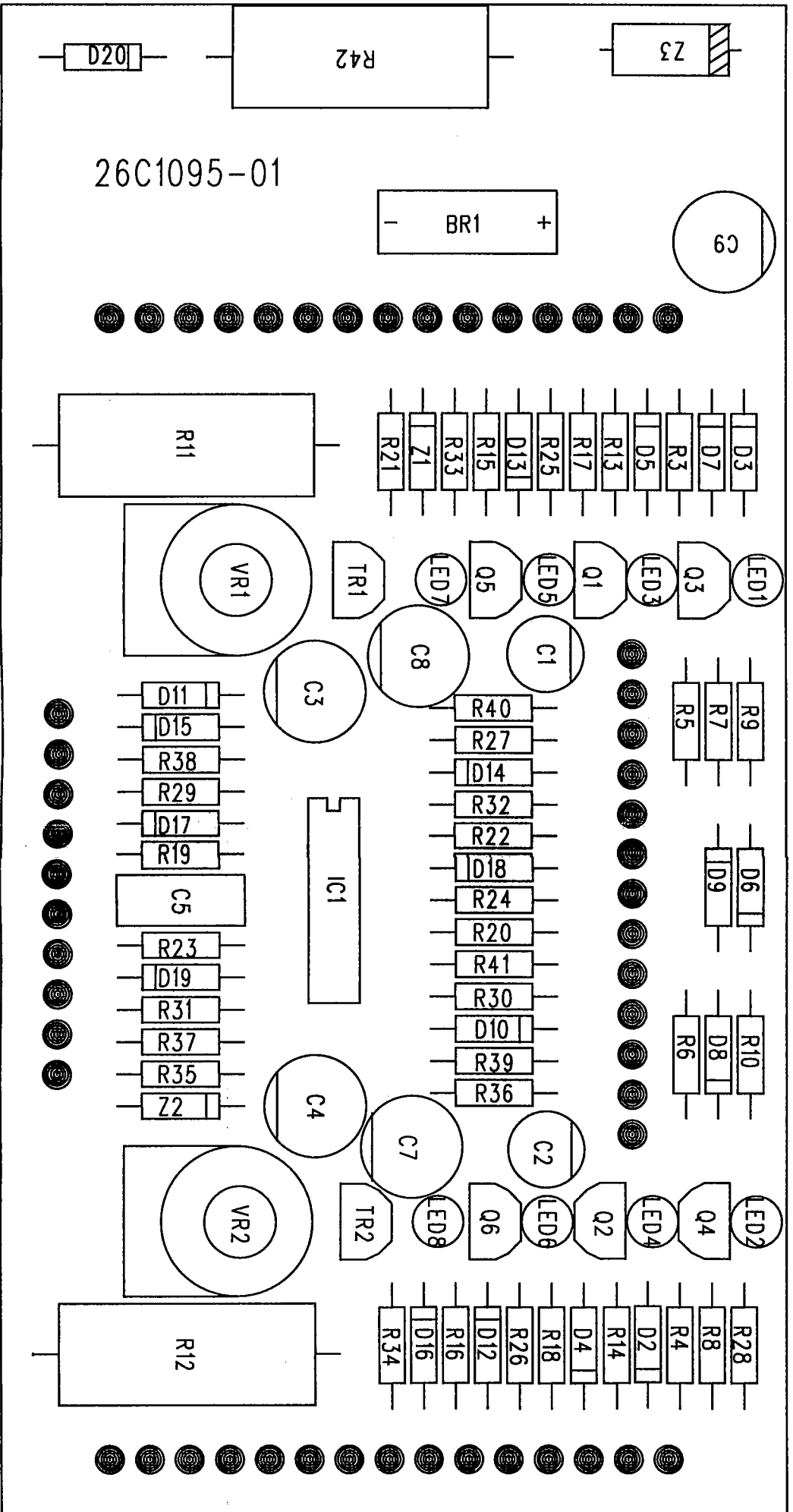
MODEL	VALUE
3301	41.2K 1/4W/1%
4601	53.6K 1/4W/1%
4801	60.4K 1/4W/1%
6001	73.2K 1/4W/1%
7001	84.5K 1/4W/1%

# SCHEMATIC #3 DISPLAY PCB

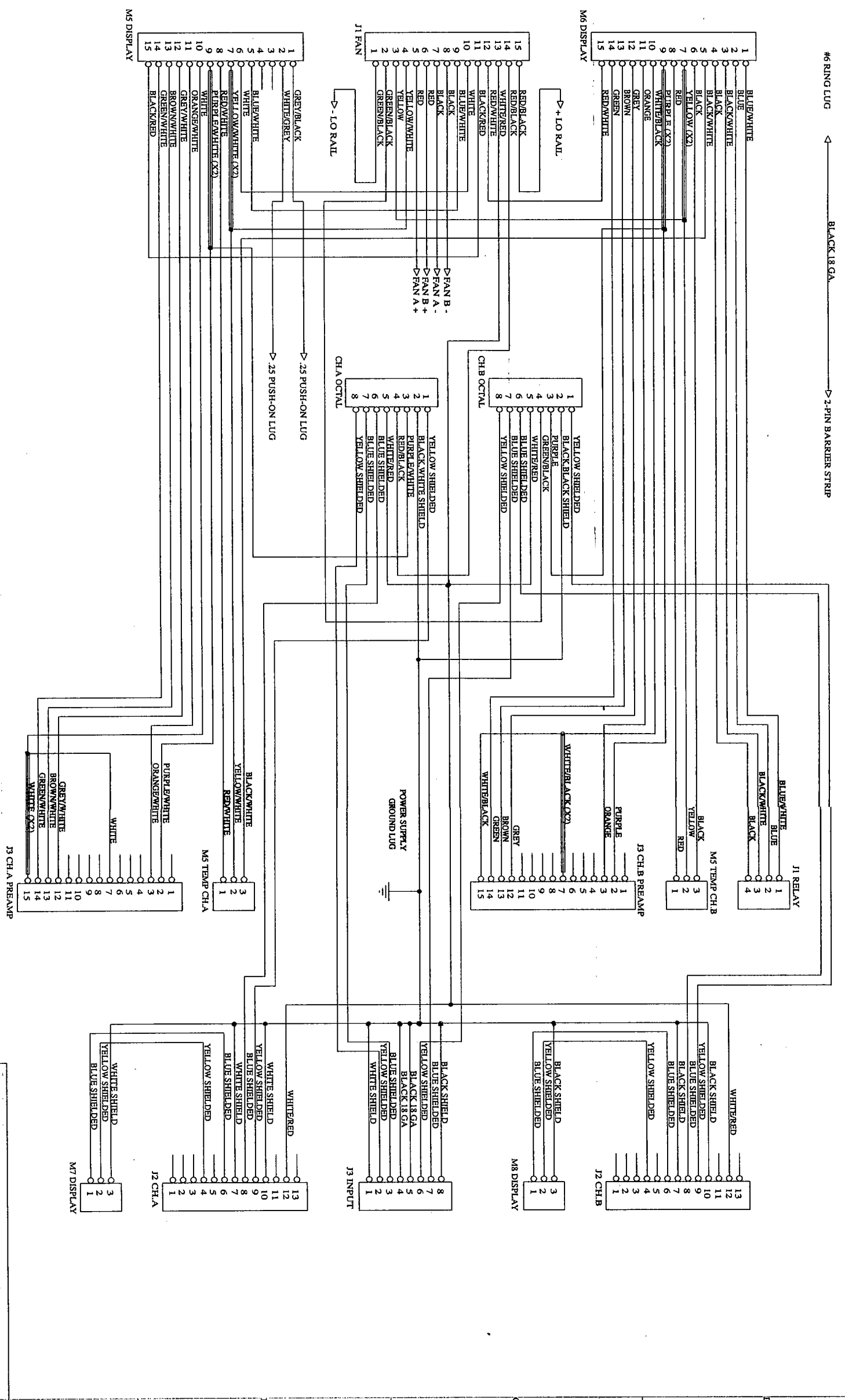
CREST AUDIO INC.  
100 EISENHOWER DRIVE  
PARAMUS, NJ 07652

Title: 7-6-48-46-3301 DISPLAY W/NEXSYS CONTROL  
Date: OCTOBER 1982, SRXC  
Sheet: 1 of 2

# COMPONENT LAYOUT #3 DISPLAY PCB



# SCHEMATIC #4A 7001 HARNNESS

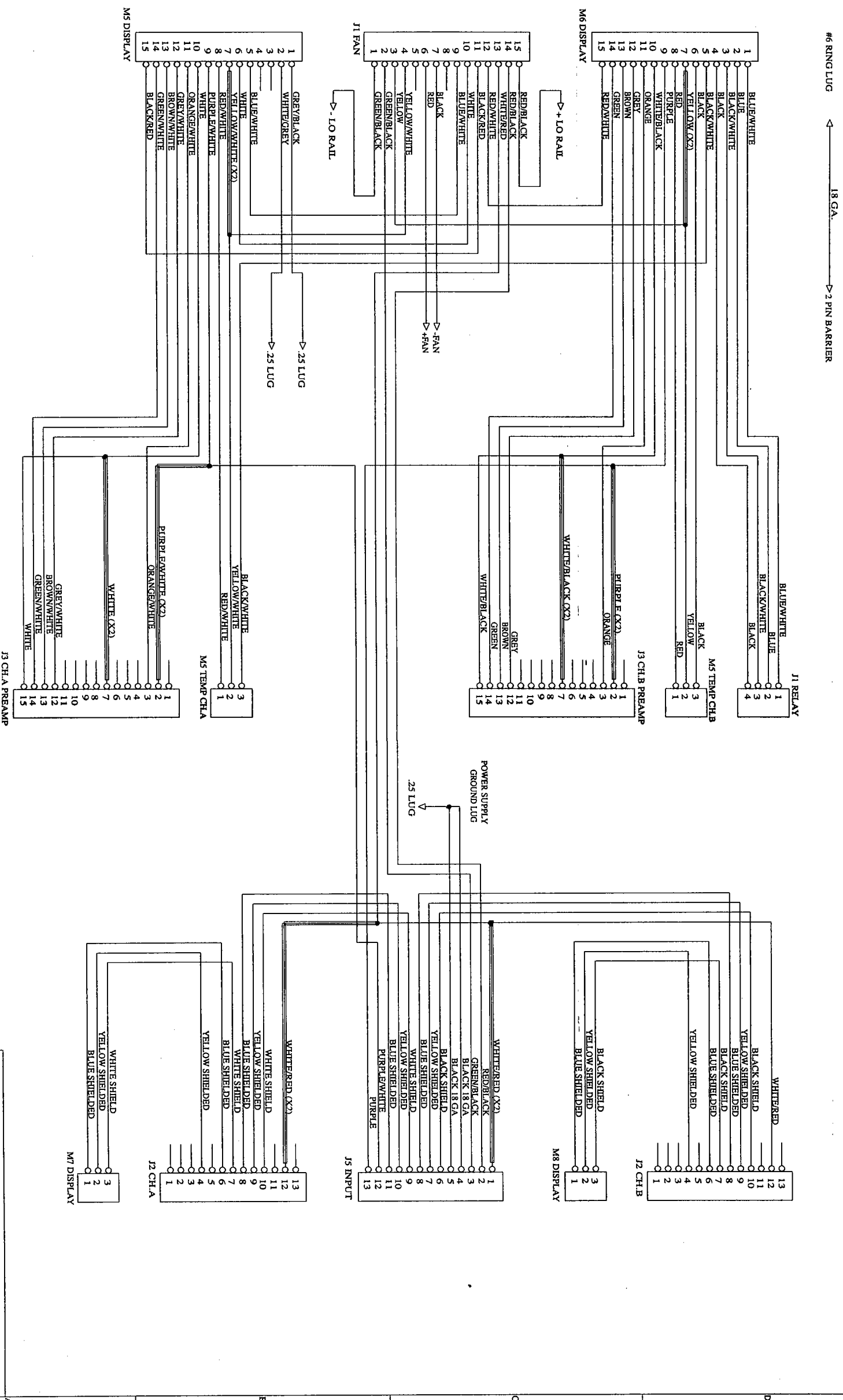


CREST AUDIO INC.  
 100 EISENHOWER DRIVE  
 PARAMUS, NJ 07652

Title: 7001 HARNNESS SCHEMATIC  
 Size: Document Number 21B0961  
 Date: OCTOBER 1992 SRVC Sheet 1 of 1

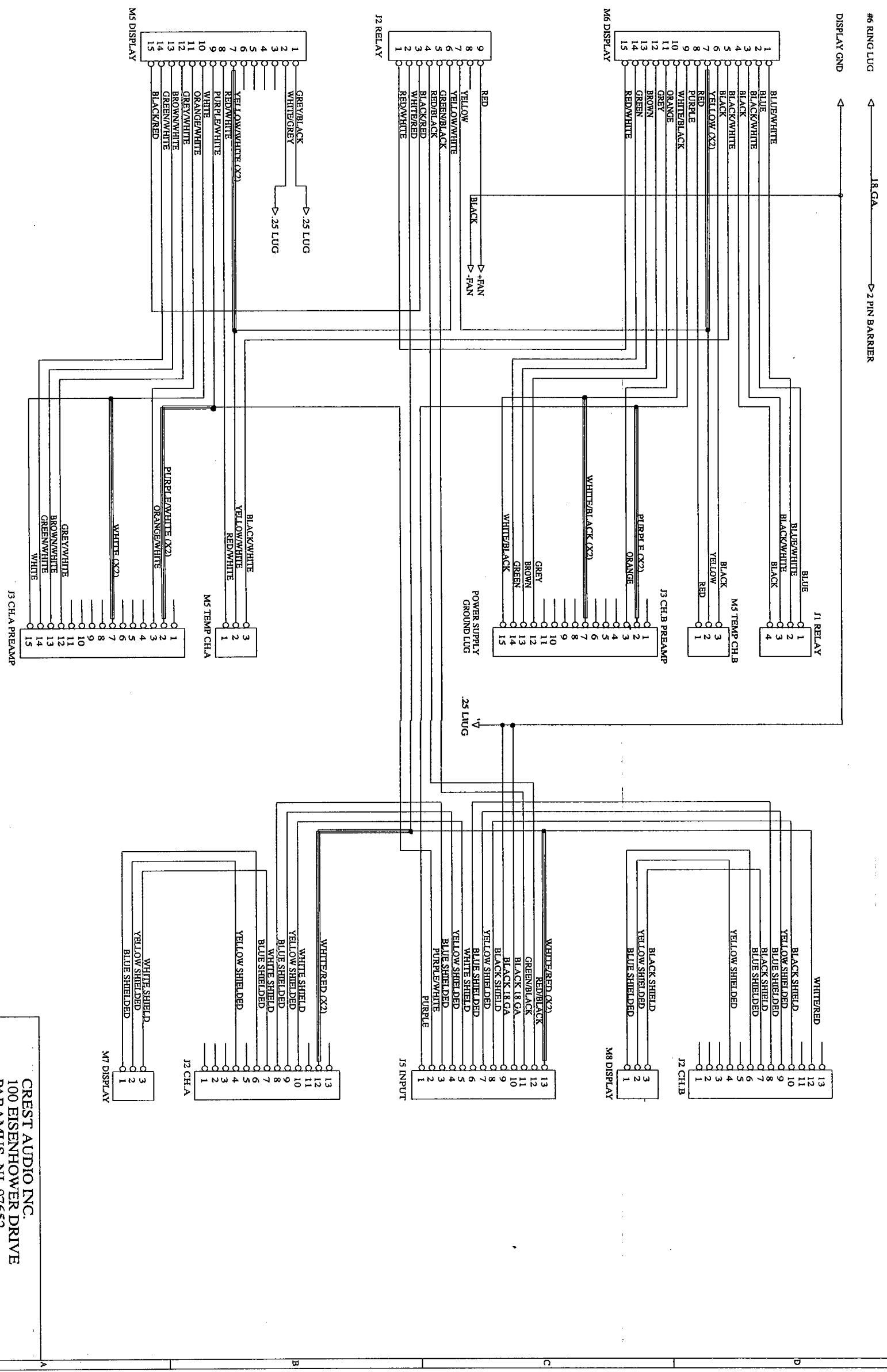
REV 01

# SCHEMATIC #4B 6001 HARNNESS

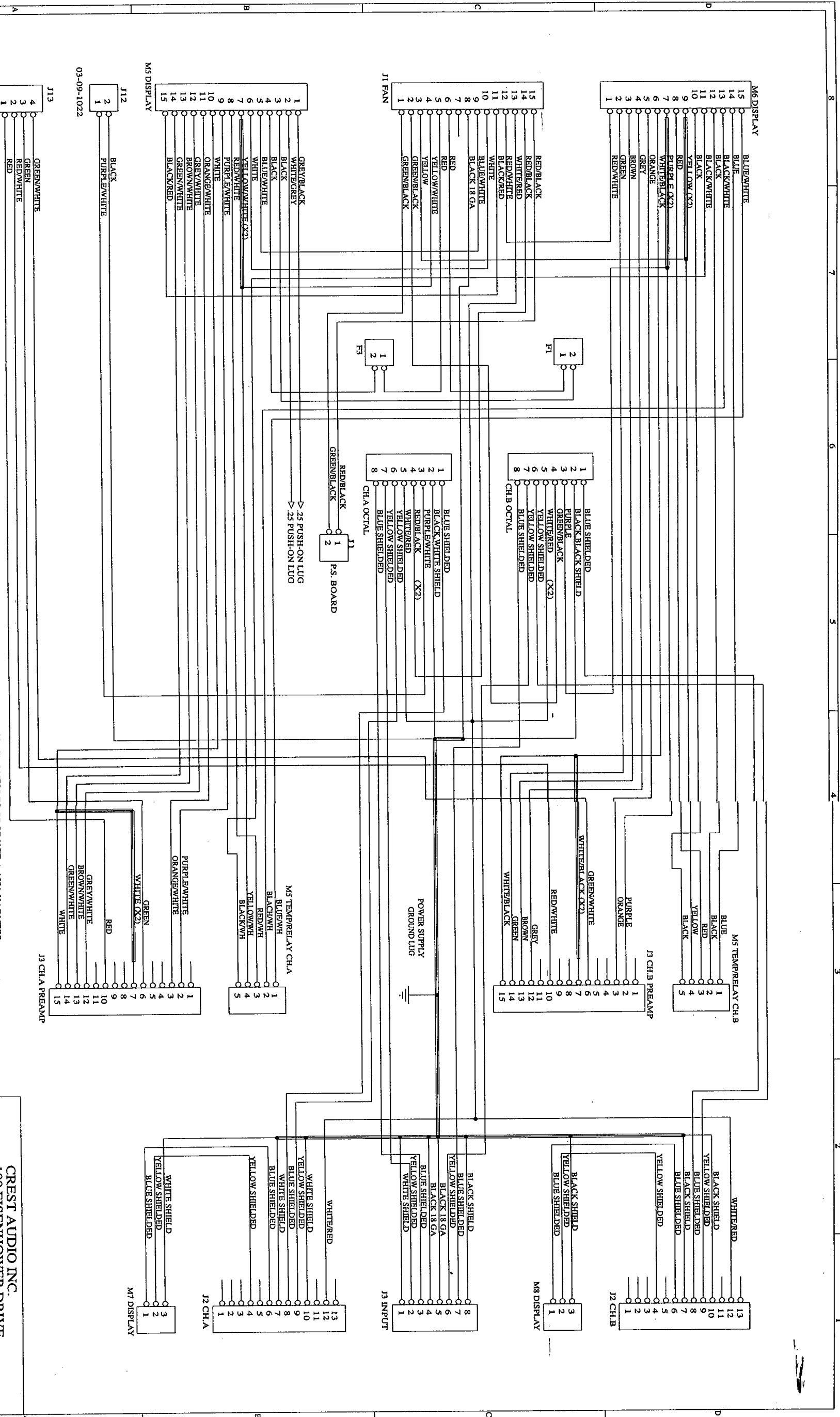


CREST AUDIO INC. 100 EISENHOWER DRIVE PARAMUS, NJ 07652	
Title	6001 HARNNESS SCHEMATIC
Size	Document Number
Date:	OCTOBER 1992 SRVC. Sheet 1 of 1
REV	21B0968

# SCHEMATIC #4C 4801 HARNNESS



**CREST AUDIO INC.**  
 100 EISENHOWER DRIVE  
 PARAMUS, NJ 07652  
 Title: 4801 HARNNESS SCHEMATIC  
 Size: Document Number 21B1010  
 Date: OCTOBER 1992 SRVC. Sheet 1 of 1  
 REV



03-09-1042

CHANGES MADE TO A 7001 HARNESS TO PRODUCE A 4601 HARNESS  
 1 - ADD 18 GA BLACK WIRE FROM PIN 08 ON J1 FAN TO POWER SUPPLY GND LUG

2 - DELETE J1 RELAY AND COMBINE ITS WIRES A,B RESPECTIVLY WITH M5 OF CH.A AND CH.B AS SHOWN

3 - BOTH CH.A AND CH.B M5 HEADERS CHANGE FROM 3 PIN TO 5 PIN HEADERS TO HOUSE EXTRA RELAY WIRES

# SCHEMATIC #4D 4601 HARNESS

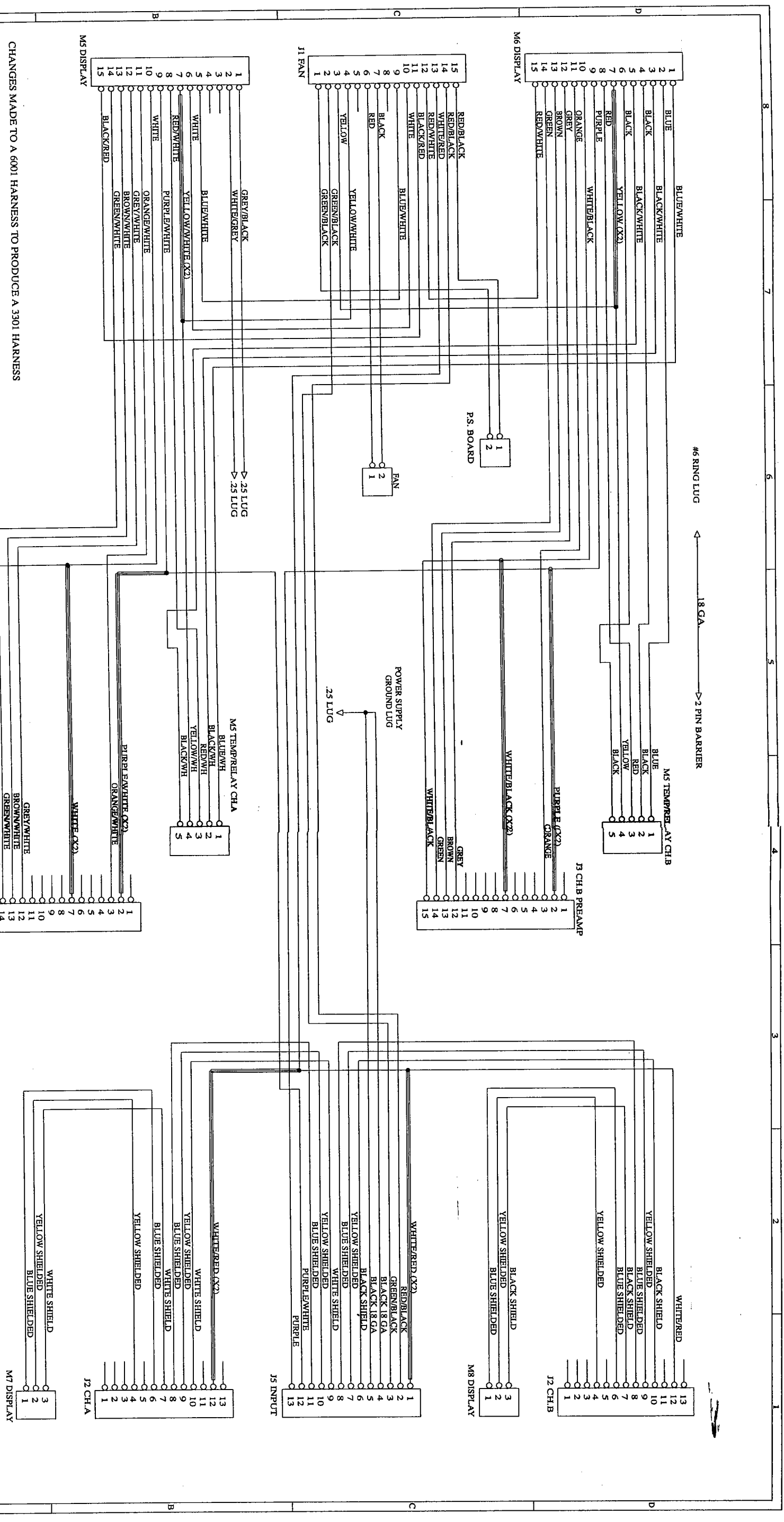
CREST AUDIO INC.  
 100 EISENHOWER DRIVE  
 PARAMUS, NJ 07652

Title 4601 HARNESS SCHEMATIC

Size Document Number 21B1312

Date: OCTOBER 1992 SRVC

Sheet 1 of 1



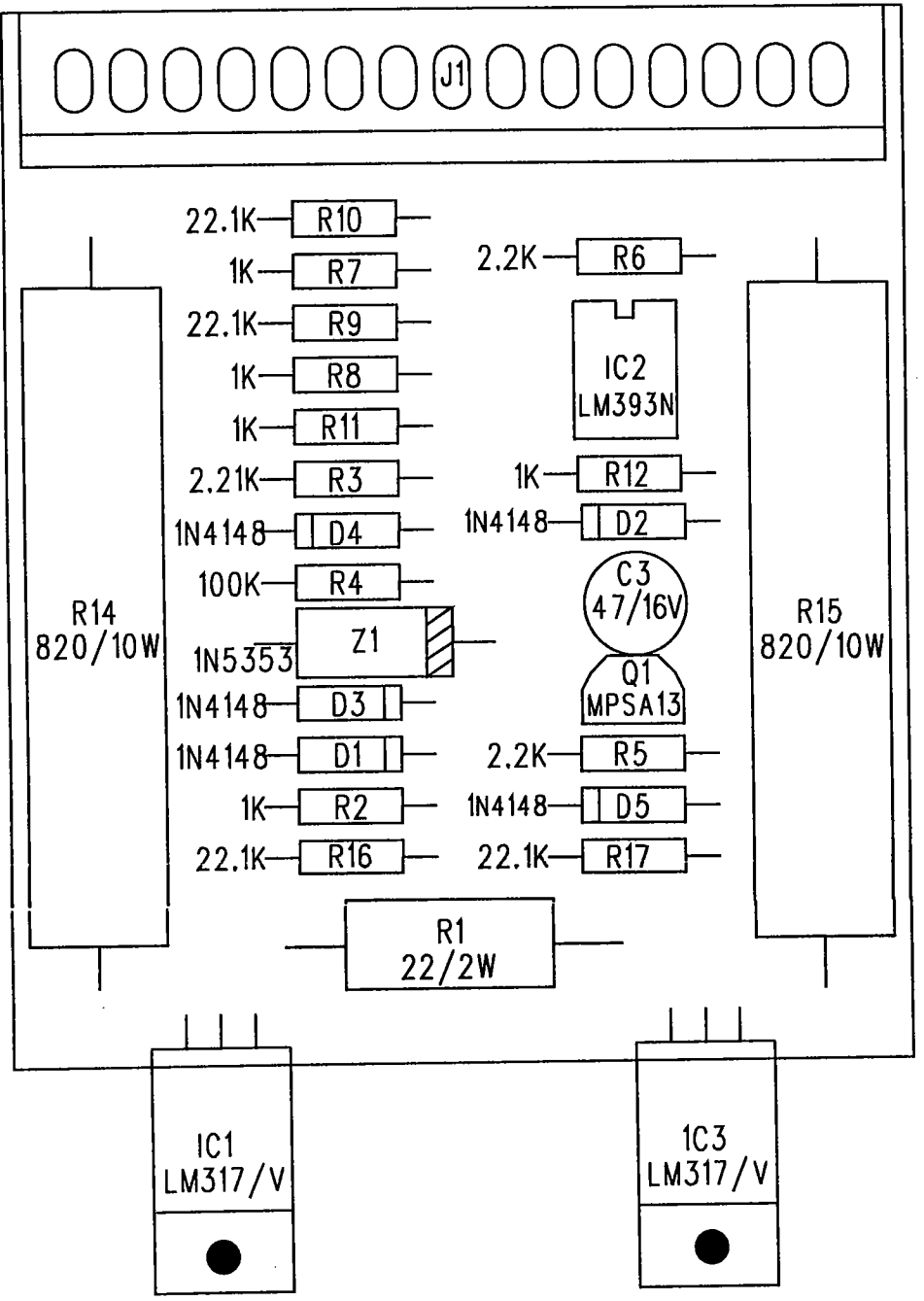
- CHANGES MADE TO A 6001 HARNES TO PRODUCE A 3301 HARNES
- 1 - ADD 18 GA BLACK WIRE FROM PIN 08 ON J1 FAN TO POWER SUPPLY GND LUG
  - 2 - DELETE J1 RELAY AND COMBINE ITS WIRES A,B RESPECTIVLY WITH M5 OF CH.A AND CH.B AS SHOWN
  - 3 - BOTH CH.A AND CH.B M5 HEADERS CHANGE FROM 3 PIN TO 5 PIN HEADERS TO HOUSE EXTRA RELAY WIRES

# SCHEMATIC #4E 3301 HARNES

<b>CREST AUDIO INC.</b> 100 EISENHOWER DRIVE PARAMUS, NJ 07652	
Title	3301 HARNES SCHEMATIC
Size	Document Number 21B1340
Date:	OCTOBER 1992 SRVC
Sheet	1 of 1
REV	



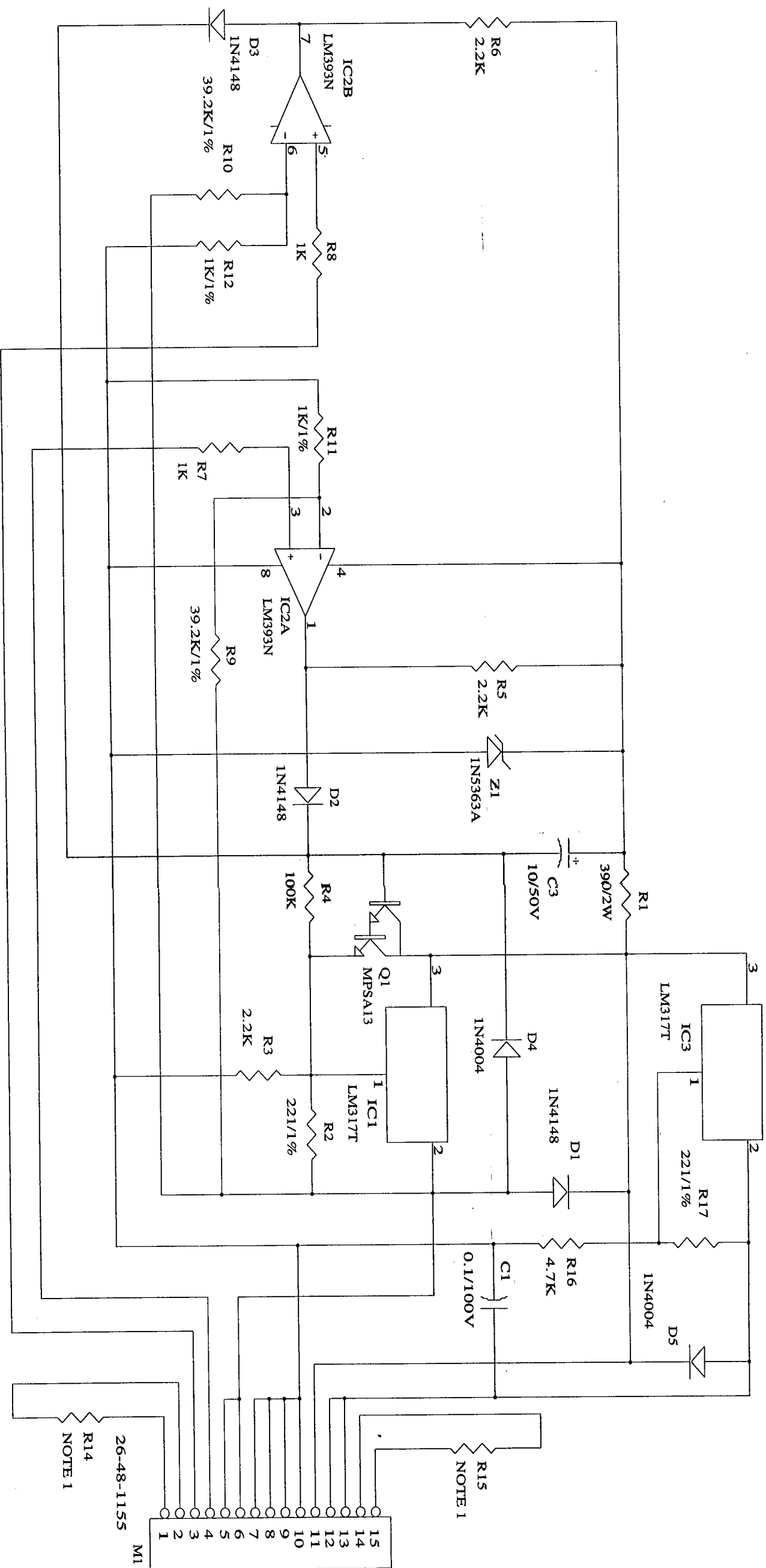
# COMPONENT LAYOUT #5 3301/4601/6001/7001 FAN DRIVER PCB



NOTE: The values of R14 and R15 are as follows..

- 3301 = 1K / 10W 5%
- 4601 = 1.1K / 10W 5%
- 6001 = 620 / 10W 5%
- 7001 = 680 / 10W 5%

PRIOR TO 6-3-92 R14/R15 WERE 680/10W ON MODEL 6001



NOTE 1: 680/10W ON 7001  
 620/10W ON 6001  
 1K/10W ON 3301  
 1.1K/10W ON 4601

# SCHEMATIC #5 FAN DRIVER 6001/7001/3301/4601

CREST AUDIO INC.  
 100 EISENHOWER DRIVE  
 PARAMUS, NJ 07652

Title  
 7001/6001/4601/3301 FAN DRIVER

Size Document Number

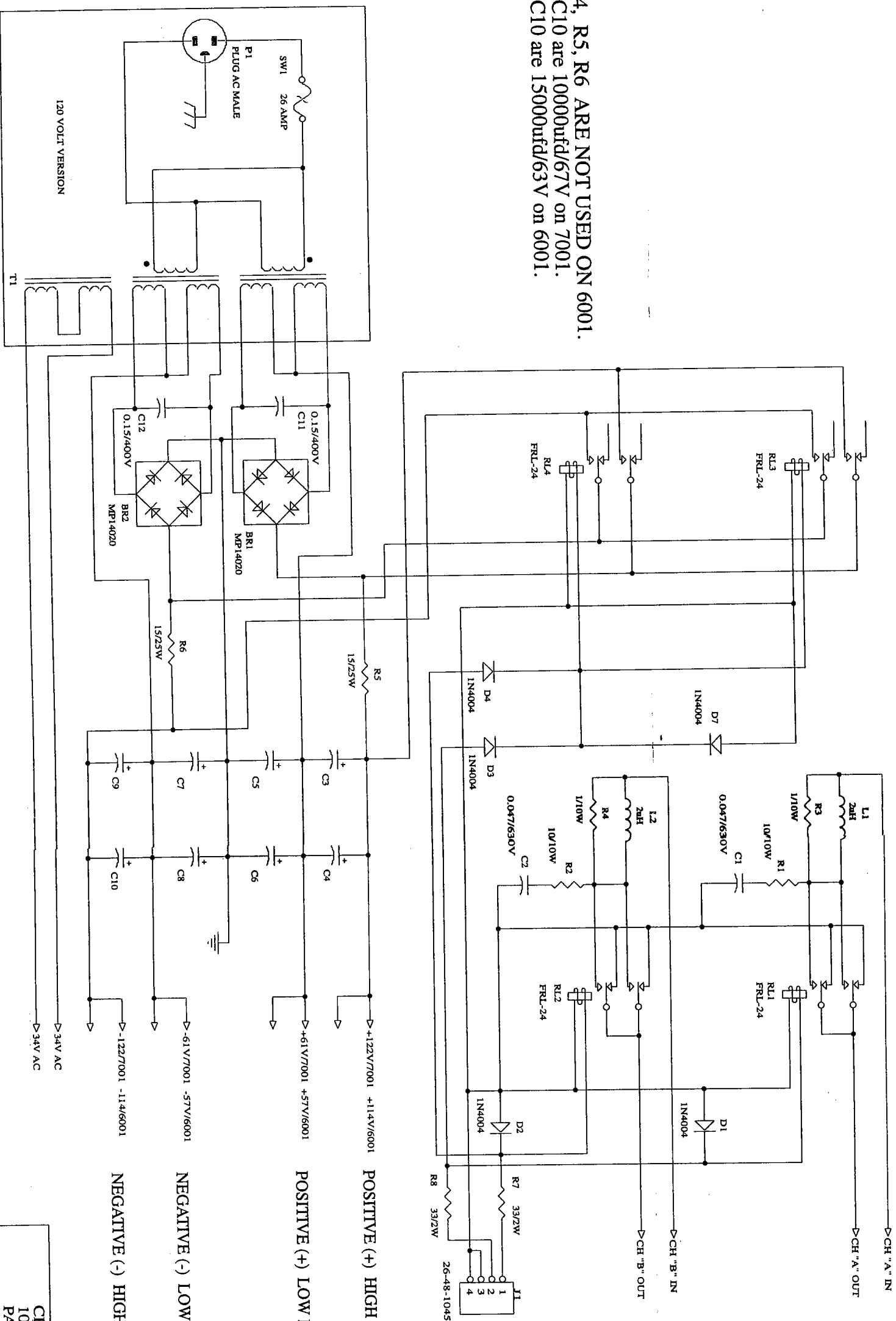
21A0952

Date: OCTOBER 1992 SRVC

Sheet 1 of 1

CREST AUDIO PRO SERIES SERVICE MANUAL

NOTES:  
 RL3, RL4, R5, R6 ARE NOT USED ON 6001.  
 C3 Thru C10 are 10000ufd/67V on 7001.  
 C3 Thru C10 are 15000ufd/63V on 6001.



- ▷CH "A" IN
- ▷CH "A" OUT
- ▷CH "B" IN
- ▷CH "B" OUT
- ▷+122V/7001 +114V/6001 POSITIVE (+) HIGH RAIL VOLTAGE. RED
- ▷+61V/7001 +57V/6001 POSITIVE (+) LOW RAIL VOLTAGE. RED/BLACK
- ▷-61V/7001 -57V/6001 NEGATIVE (-) LOW RAIL VOLTAGE. GREEN/BLACK
- ▷-122V/7001 -114/6001 NEGATIVE (-) HIGH RAIL VOLTAGE. GREEN

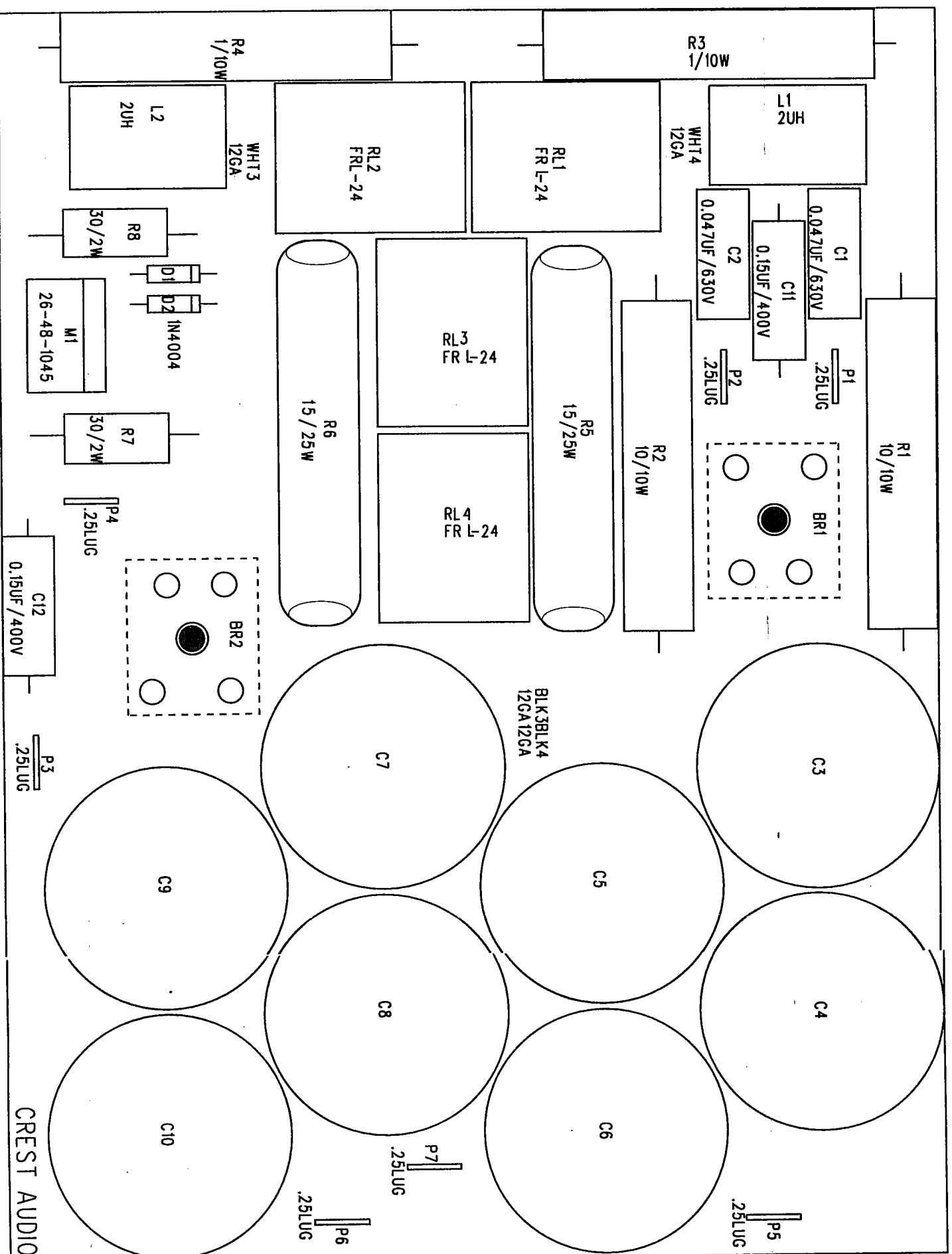
# SCHEMATIC #6 7001/6001 POWER SUPPLY PCB

CREST AUDIO INC.  
 100 EISENHOWER DRIVE  
 PARAMUS, NJ 07652

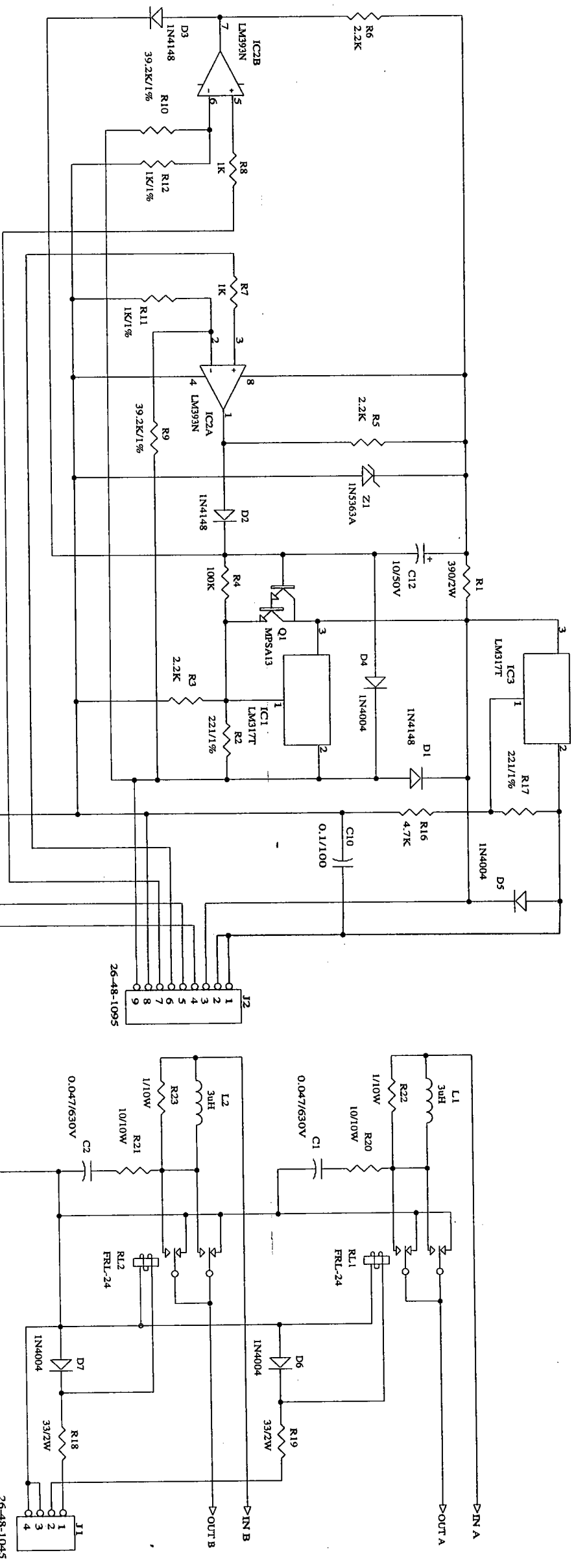
Title	7001 POWER SUPPLY/RELAY PCB
Size	Document Number
REV	21B0927-C

Date: OCTOBER 1992 SRVC Sheet 1 of 1

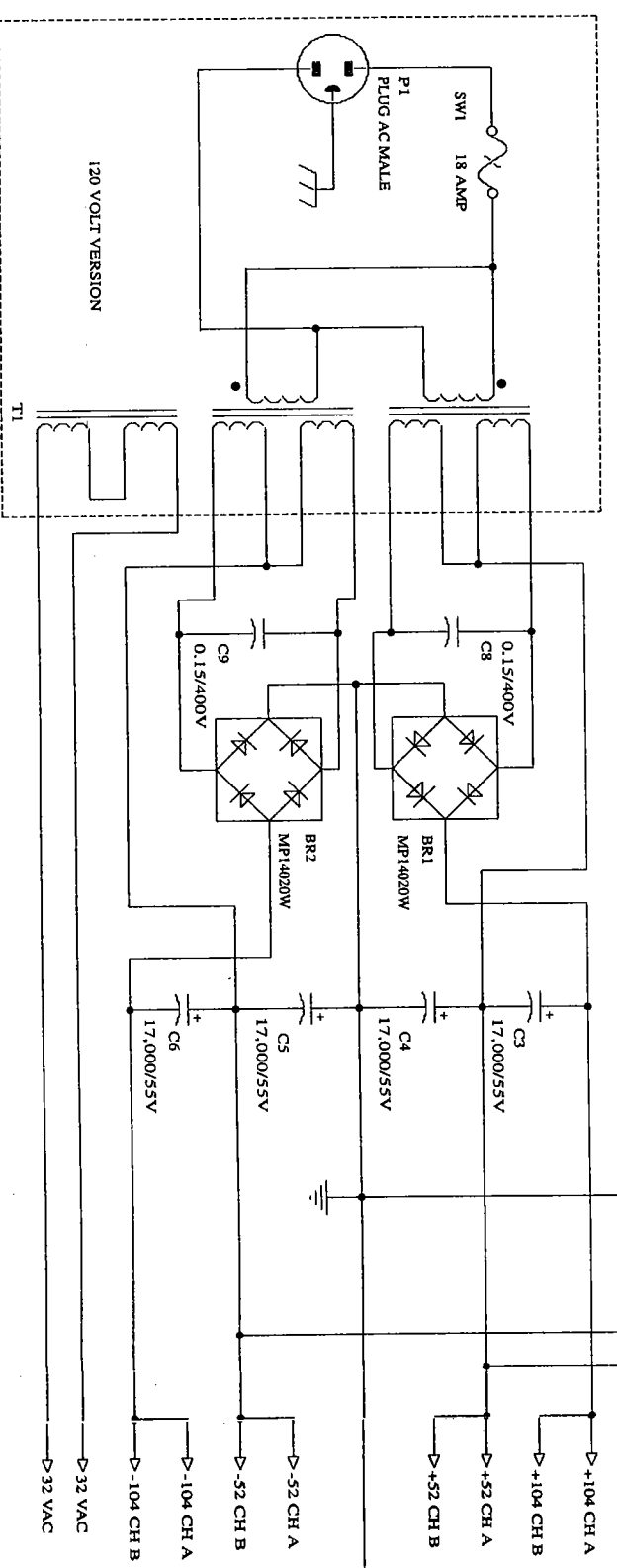
# COMPONENT LAYOUT #6 7001/6001 POWER SUPPLY PCB



NOTES: RL3, RL4, R5, R6 NOT USED ON 6001.  
 BR1 AND BR2 ARE MOUNTED ON THE BOTTOM OF THE PCB.  
 C3, C4, C5, C6, C7, C8, C9, C10 ARE 15,000UF/63V FOR 6001 -- 10,000UF/67V FOR 7001



PRIOR TO 6-3-92 R14/R15 WERE 680/10W ON MODEL 4801



POSITIVE (+) HIGH RAIL VOLTAGE. RED  
 POSITIVE (+) LOW RAIL VOLTAGE. RED/BLACK  
 NEGATIVE (-) HIGH RAIL VOLTAGE. GREEN/BLACK  
 NEGATIVE (-) LOW RAIL VOLTAGE. GREEN

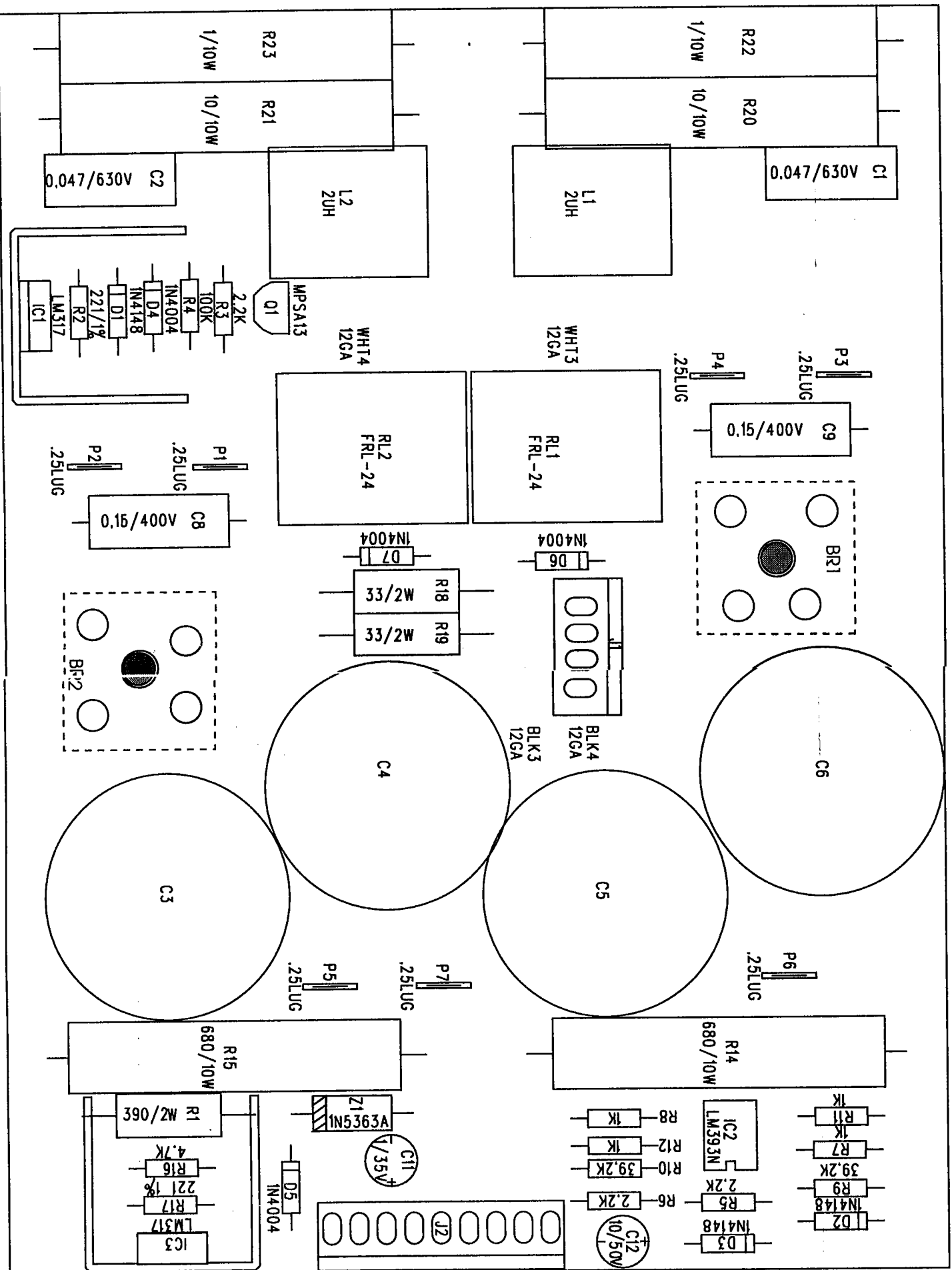
# SCHEMATIC #6A 4801 POWER SUPPLY/FAN DRIVER PCB

Title	4801 POWER SUPPLY/FAN DRIVER		
Size	Document Number	21B1008	REV
Date:	OCTOBER 1992 SRVC	Sheet	1 of 1

CREST AUDIO INC.  
 100 EISENHOWER DRIVE  
 PARAMUS, NJ 07652

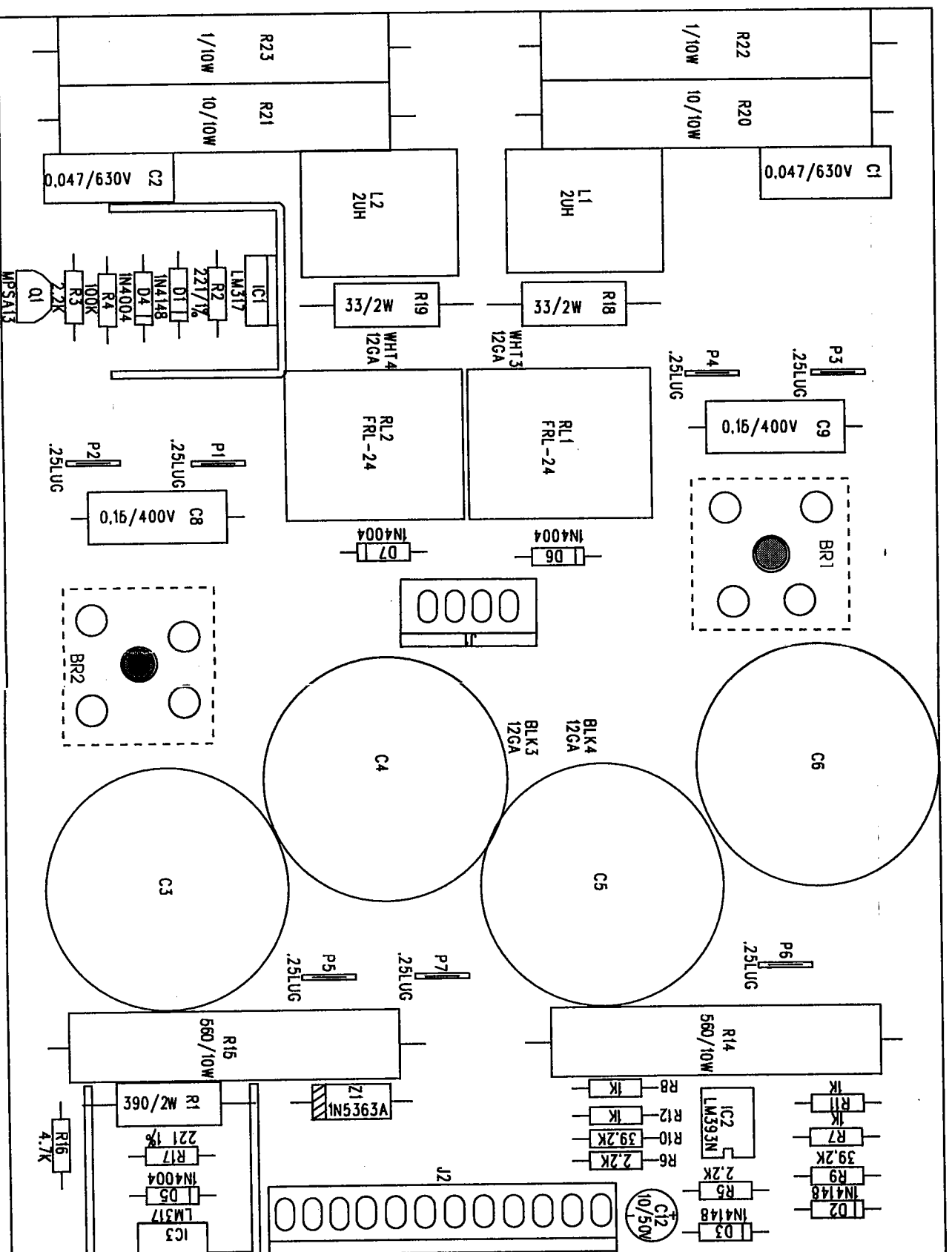
# COMPONENT LAYOUT #6A 4801 POWER SUPPLY / FAN DRIVER PCB

Used on model 4801 until 3/89. Serial number 8903A00 and on use the new style as shown in Component Layout #6A-1.

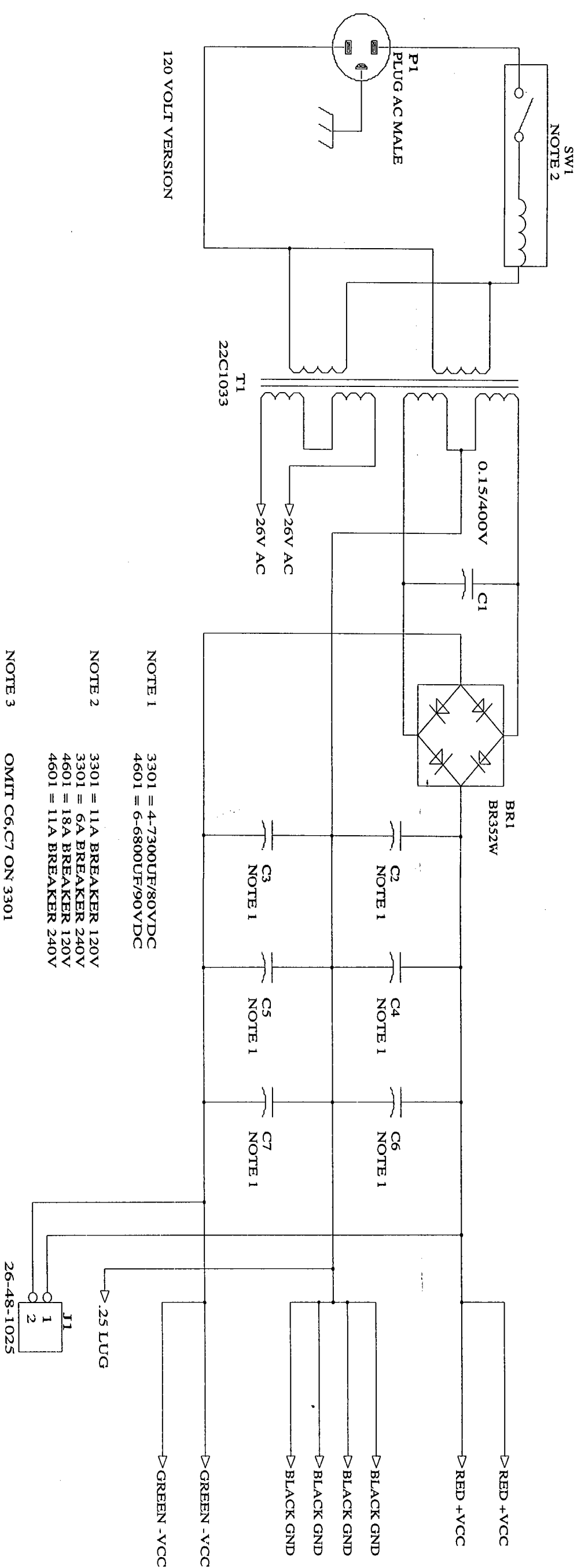


NOTES: C3, C4, C5, C6 ARE 17,000µFD/55V  
BR1 AND BR2 ARE MOUNTED ON THE BOTTOM OF THE PCB.

# COMPONENT LAYOUT #6A-1 4801 POWER SUPPLY / FAN DRIVER PCB USED ON MODEL 4801 FROM SERIAL NUMBER 8903A00 (3/89) ON.



NOTES: C3, C4, C5, C6 ARE 17,000UF/55V  
BR1 AND BR2 ARE MOUNTED ON THE BOTTOM OF THE PCB.



# SCHEMATIC #6B 3301/4601 POWER SUPPLY PCB

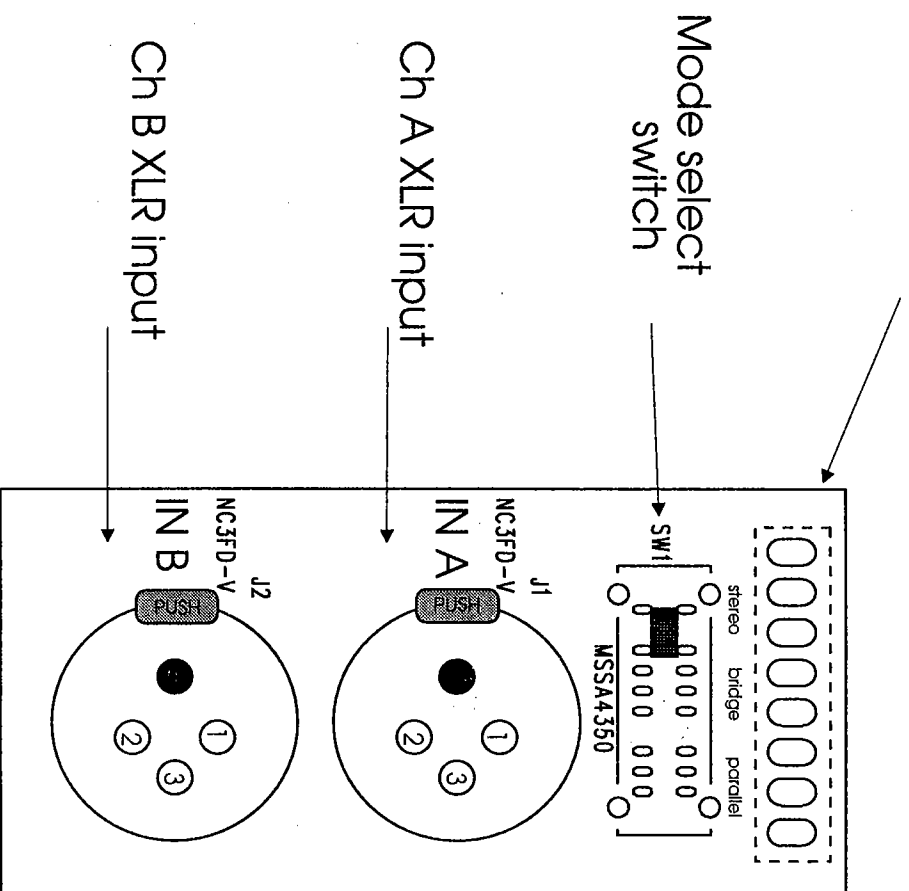
CREST AUDIO 100 EISENHOWER DRIVE PARAMUS, NJ 07652	
Title	3301/4601 POWER SUPPLY PCB SCHEMATIC
Size	Document Number
Date:	OCTOBER 1992 SRVC
	21A1342
Sheet	1
of	1
REV	



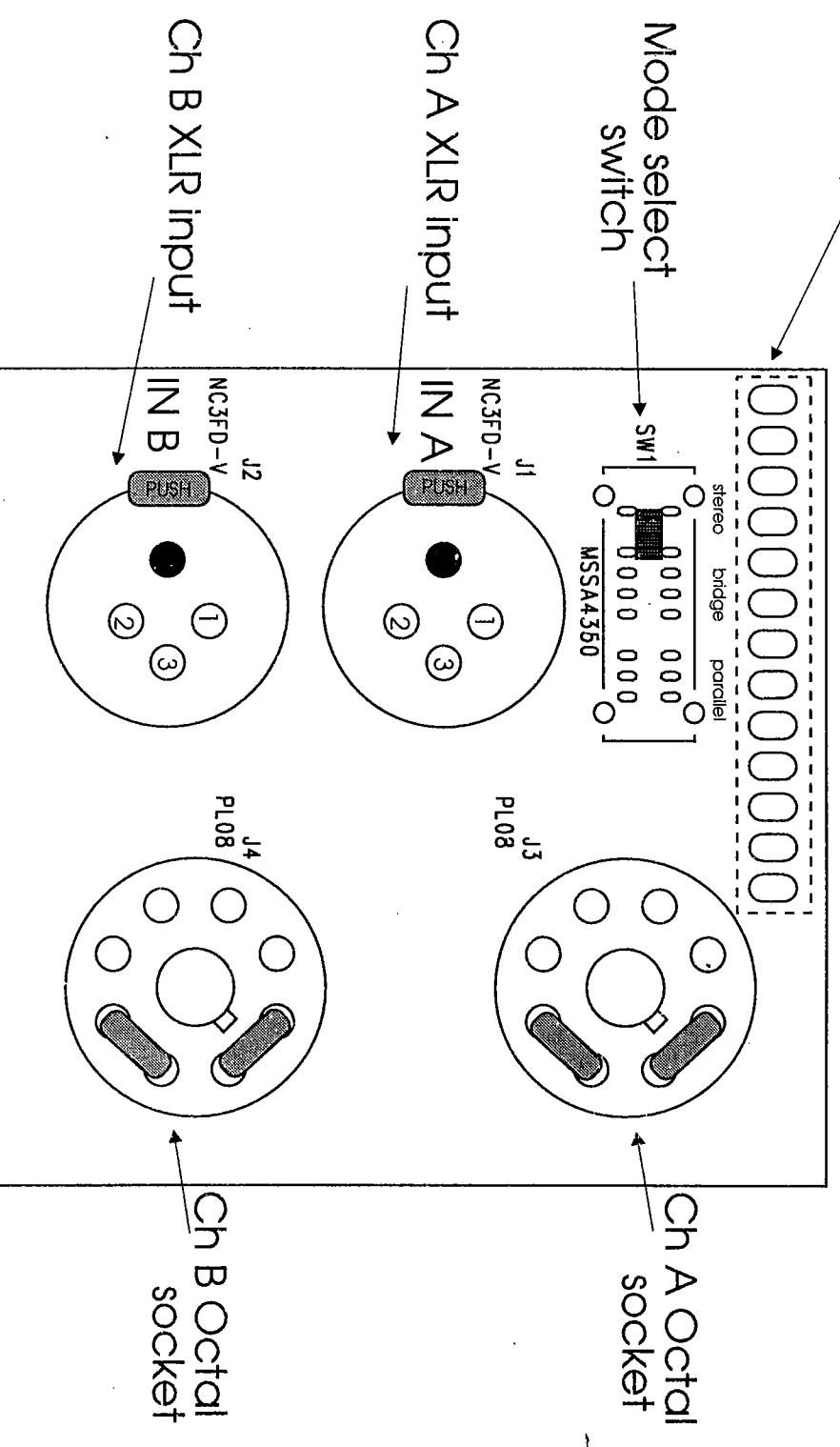
# COMPONENT LAYOUT #7 7001/4601 INPUT PCB

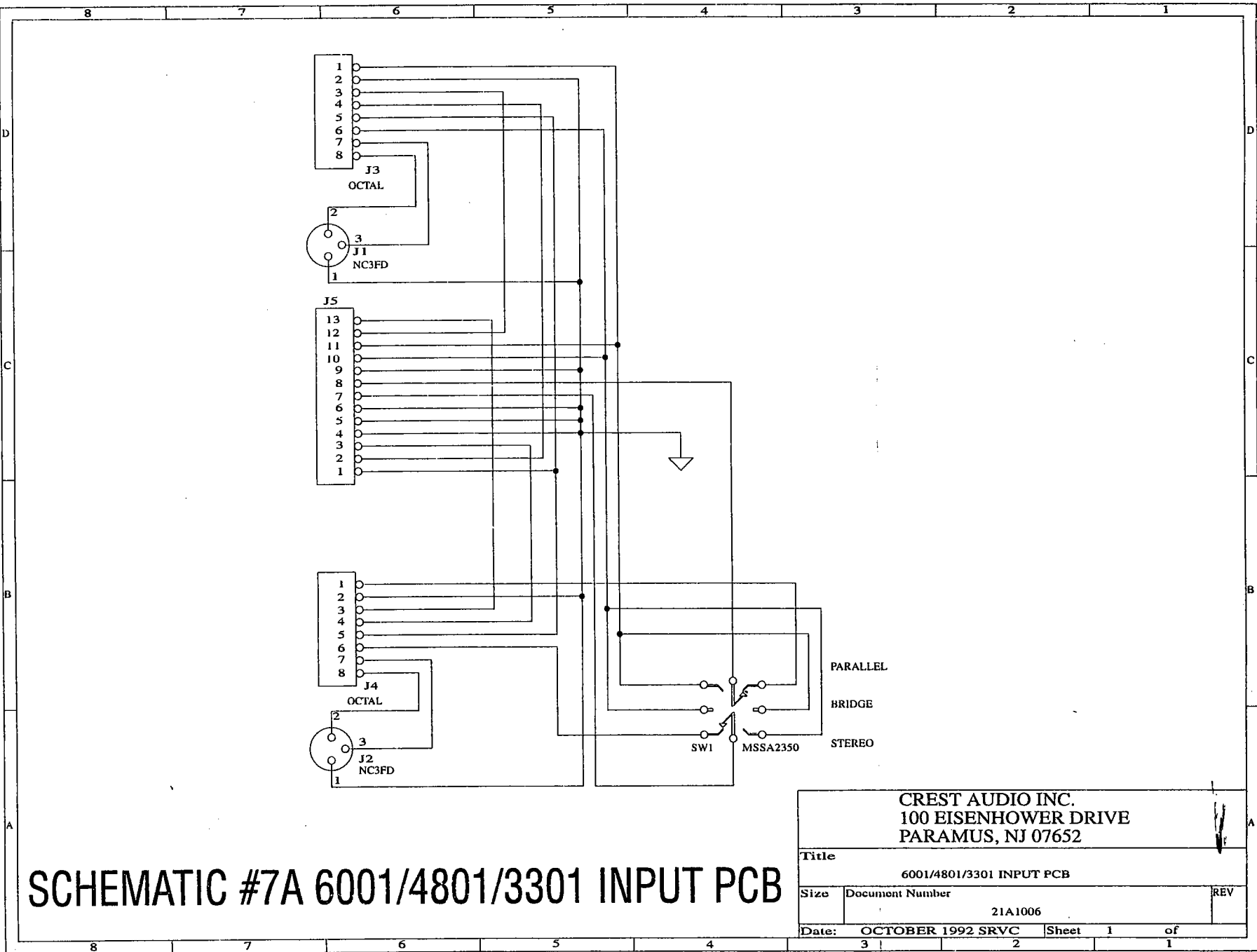
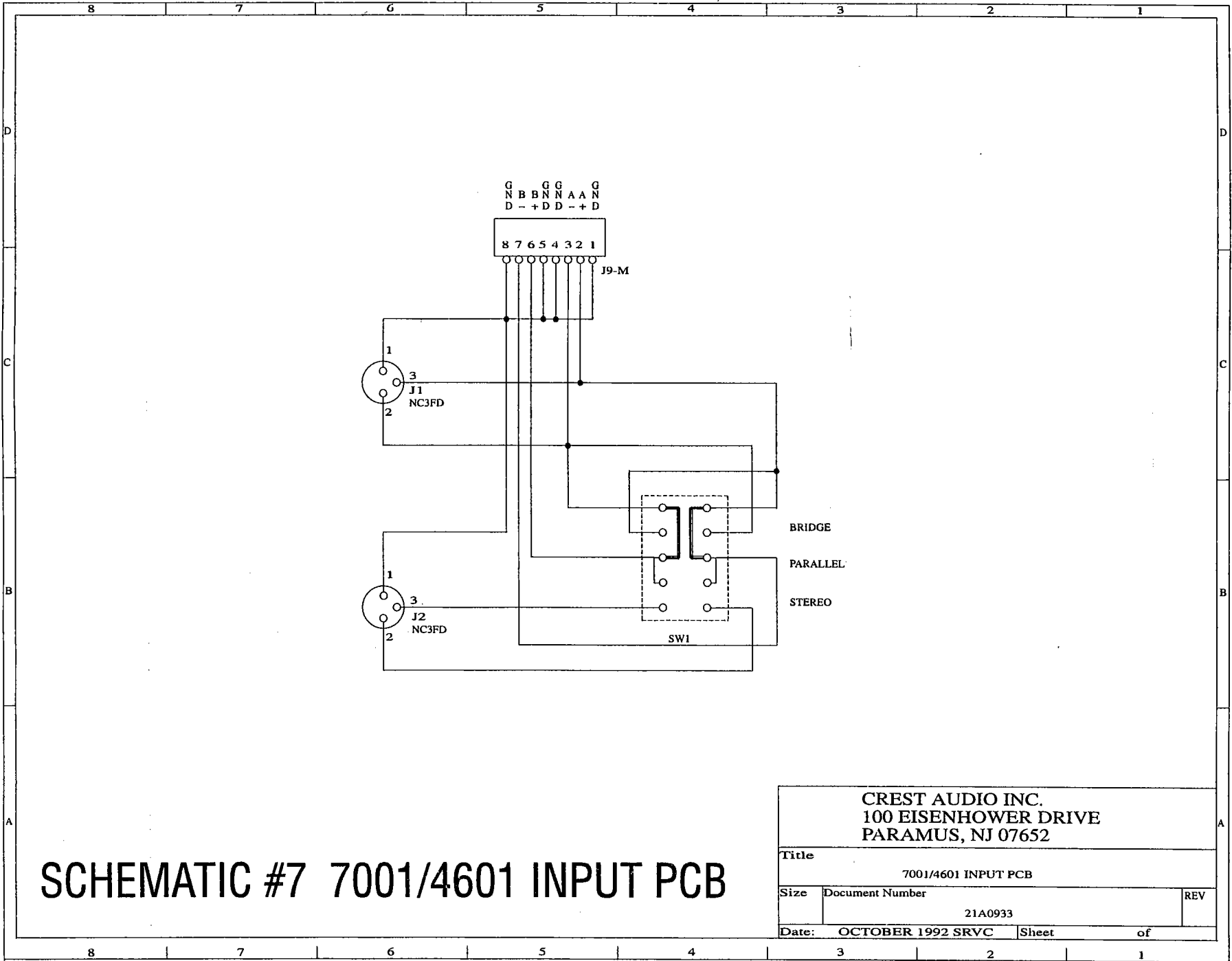
# COMPONENT LAYOUT #7A 6001/4801/3301 INPUT PCB

The 8 pin connector is mounted on the back of the board.



The 13 pin connector is mounted on the back of the board.







power is serious business.

### USER COMMENTS

ONCE YOU ARE FAMILIAR WITH THIS SERVICE MANUAL, PLEASE TAKE THE TIME TO FILL OUT THIS FORM AND MAIL IT IN. WE ARE INTERESTED IN YOUR COMMENTS REGARDING OUR TECHNICAL DOCUMENTATION.

WHICH AMPLIFIERS ARE YOU SERVICING?  PROFESSIONAL SERIES  
 FA SERIES  LA SERIES  
 FCV SERIES  OTHER \_\_\_\_\_

RATE YOUR TECHNICAL EXPERIENCE, KNOWLEDGE.  
 ENTRY LEVEL (1-2 YEARS EXP.)  
 INTERMEDIATE (2-4 YEARS EXP.)  
 SENIOR TECHNICIAN (5 YEARS +)

WHAT ERRORS, IF ANY, DID YOU FIND IN THE SERVICE MANUAL?  
SERIES \_\_\_\_\_ SECTION/PAGE NO. \_\_\_\_\_  
ERROR/COMMENT \_\_\_\_\_

WHAT EXAMPLES OF TECHNIQUES, IF ANY, WERE NOT CLEAR OR WERE DIFFICULT FOR YOU TO USE OR UNDERSTAND?  
SERIES \_\_\_\_\_ SECTION/PAGE NO. \_\_\_\_\_  
COMMENTS \_\_\_\_\_

YOUR COMMENTS HELP US IMPROVE OUR TECHNICAL PUBLICATIONS. ALL COMMENTS ARE WELCOME AND WILL BE AN IMPORTANT PART OF THE INPUT USED FOR FUTURE REVISIONS.

PLEASE DO NOT USE THIS FORM FOR TECHNICAL QUESTIONS OR FOR REQUESTS FOR ADDITIONAL PUBLICATIONS. OUR TECHNICAL SUPPORT TEAM IS ALWAYS AVAILABLE FOR INQUIRIES OF ANY NATURE. CREST FAX 201/909-8666 VOICE PHONE 201/909-8700

COMMENTS: \_\_\_\_\_  
\_\_\_\_\_  
\_\_\_\_\_  
\_\_\_\_\_  
\_\_\_\_\_  
\_\_\_\_\_

NAME \_\_\_\_\_ TITLE \_\_\_\_\_  
COMPANY \_\_\_\_\_  
ADDRESS \_\_\_\_\_  
CITY \_\_\_\_\_ STATE \_\_\_\_\_ ZIP CODE \_\_\_\_\_  
COUNTRY \_\_\_\_\_  
VOICE PHONE # \_\_\_\_\_ FAX # \_\_\_\_\_

THANK YOU FOR TAKING THE TIME TO COMPLETE THIS FORM. YOUR RESPONSE WILL HELP US TO IMPROVE CREST AUDIO TECHNICAL DOCUMENTATION.

Please fill out this form and mail it in to:  
CREST AUDIO INC.  
100 EISENHOWER DRIVE  
PARAMUS, NJ 07652 USA

FOLD