

# schematics

---



schematics  
block diagrams  
rear views  
dimensions and weights

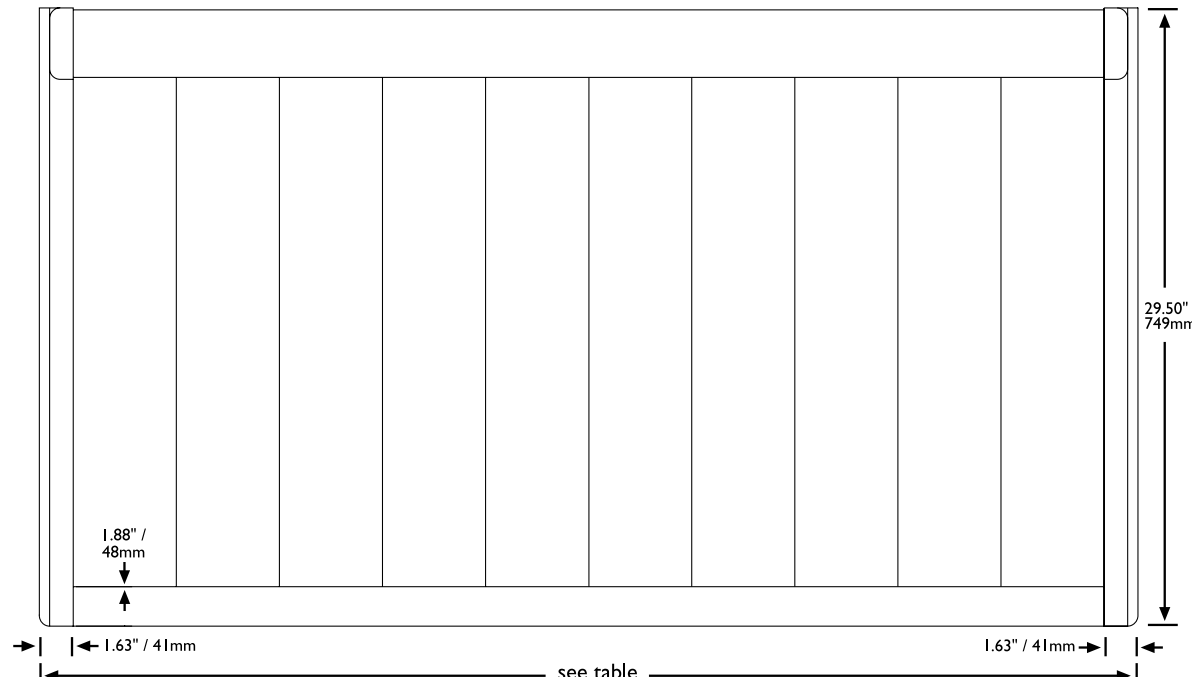
## X-Four mixing console





# console dimensions and rear-view

top

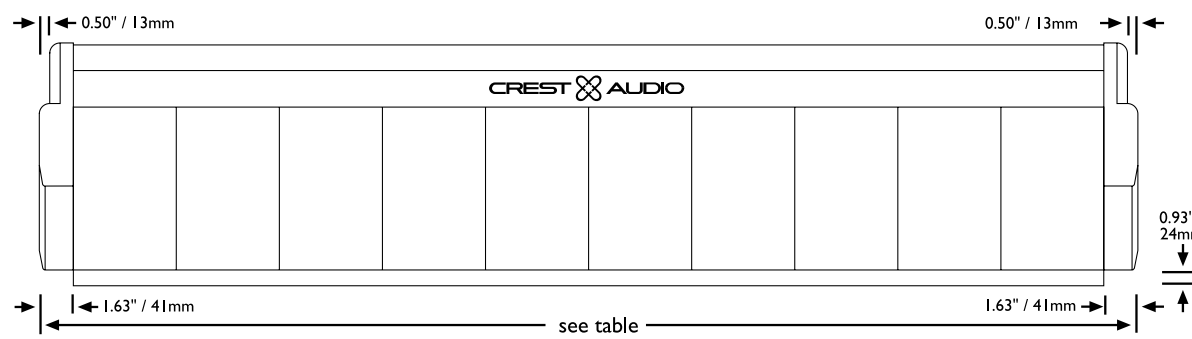


## X-Four

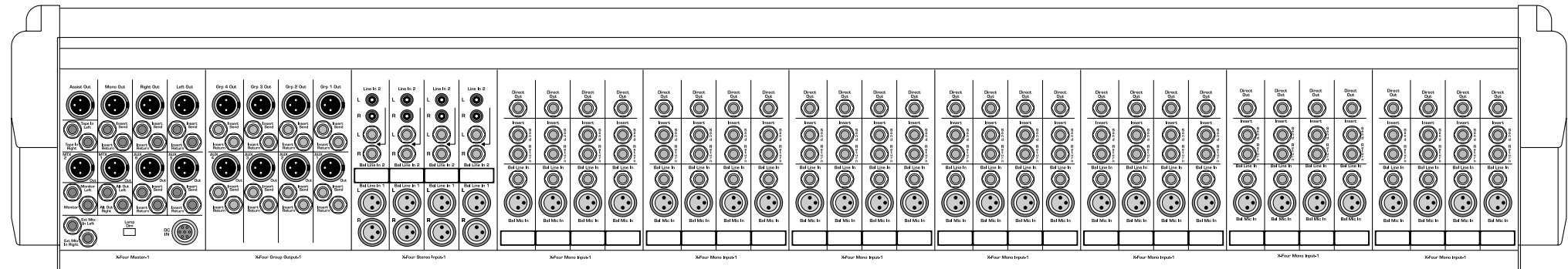
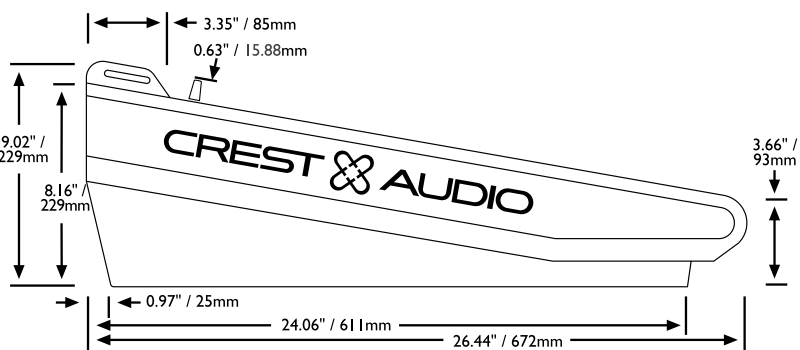
frame	dimensions	weight
20	28 x 26 x 9 in 71 x 66 x 23 cm	63 lbs 28.6 kg
28	38 x 26 x 9 in 96.5 x 66 x 23 cm	84 lbs 37.8 kg
36	48 x 26 x 9 in 122 x 66 x 23 cm	105 lbs 47.25 kg
44	57 x 26 x 9 in 145 x 66 x 23 cm	126 lbs 57.3 kg

frame size = total number of modules in a console  
(inputs + groups + master + etc)

rear

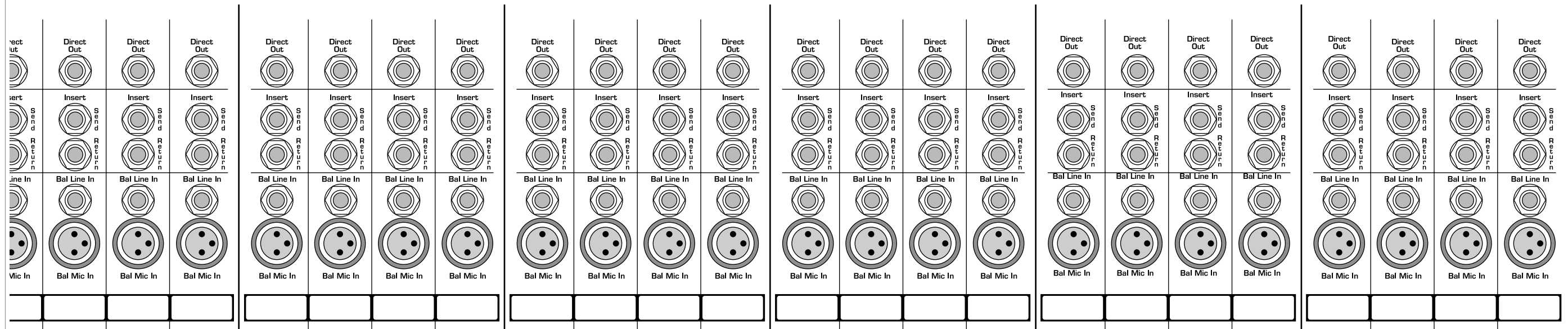
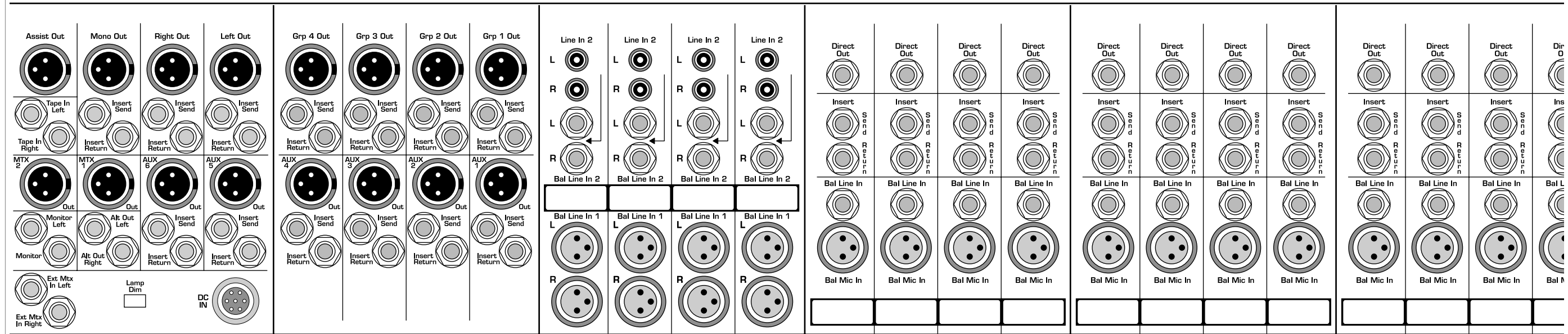


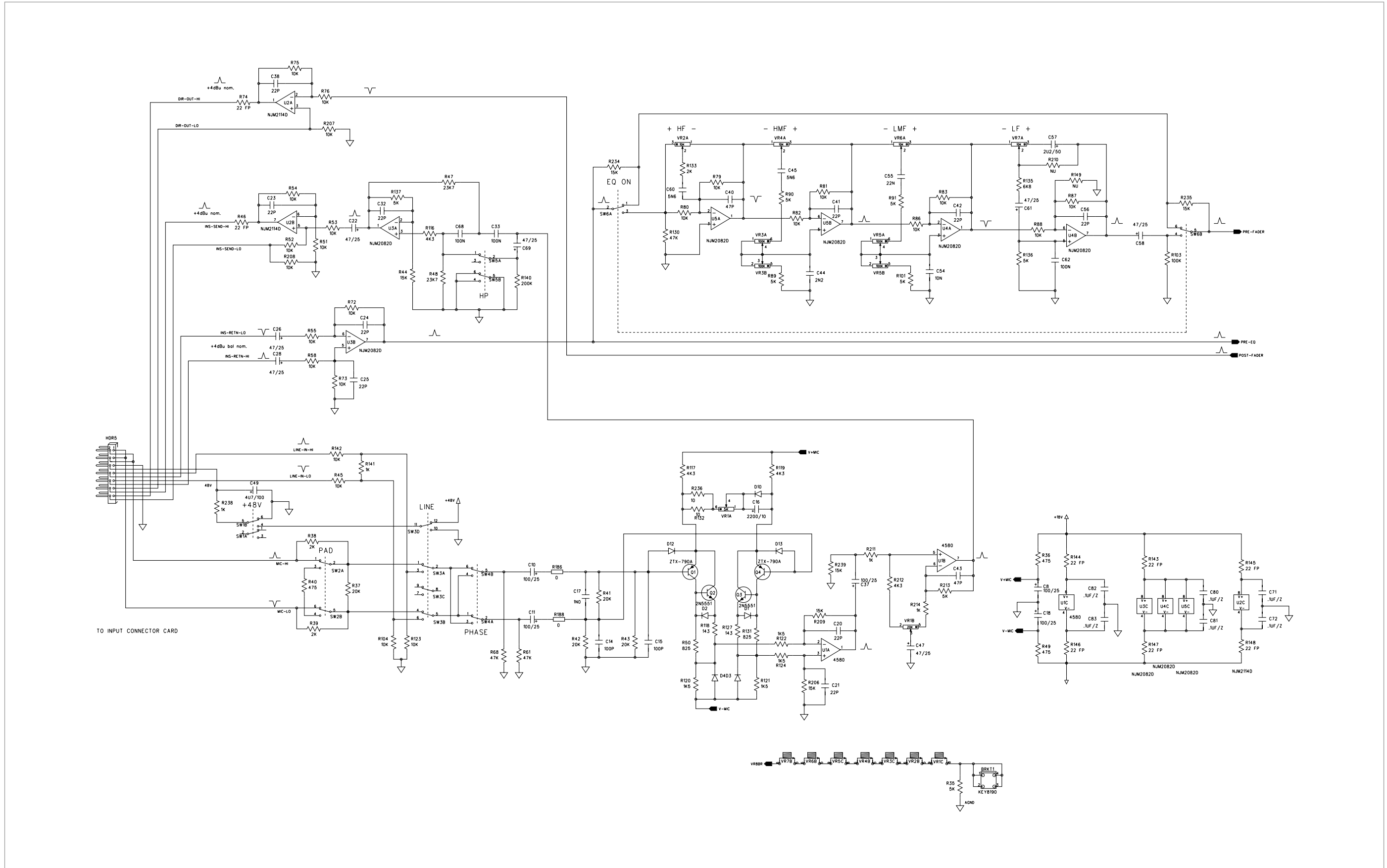
side

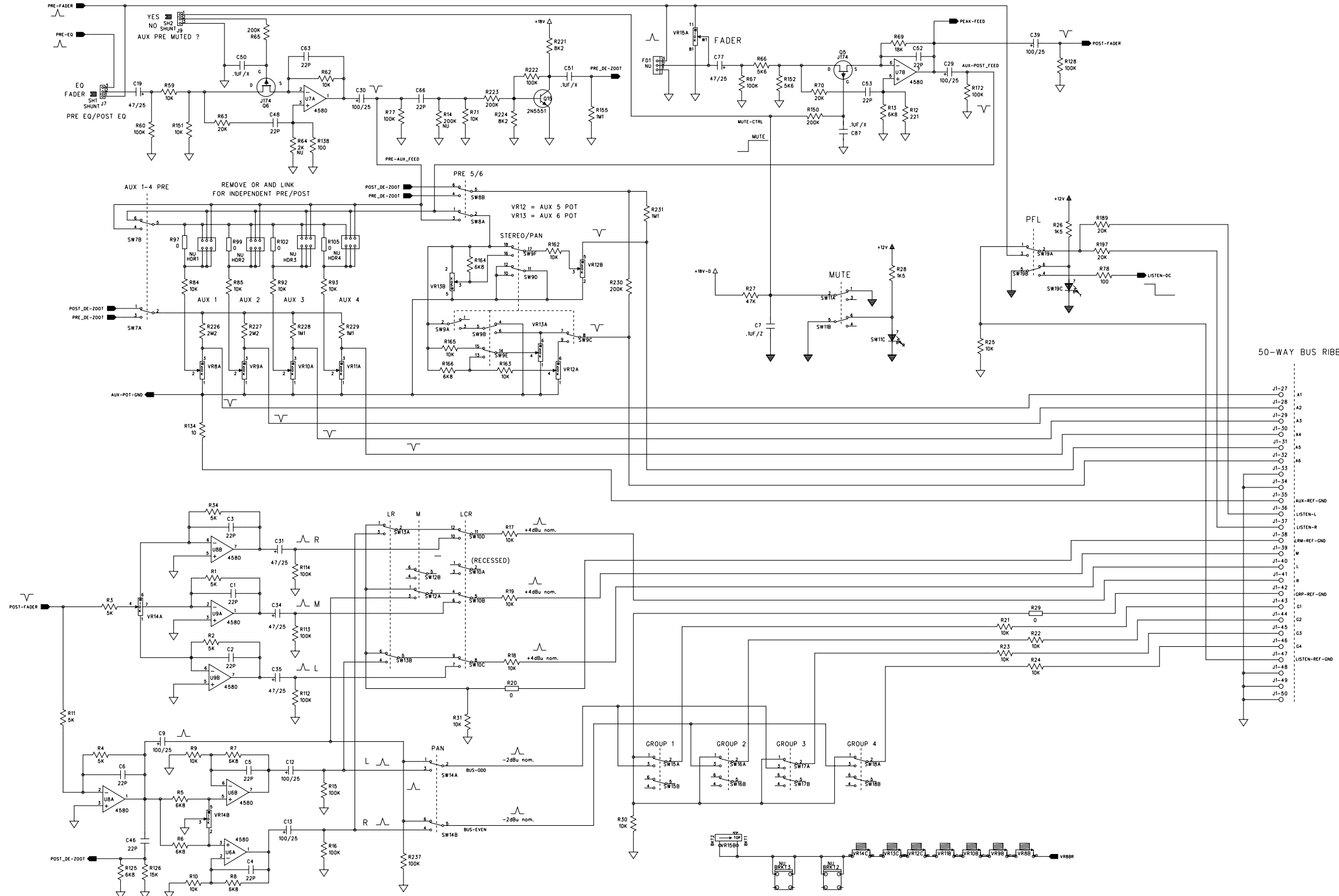


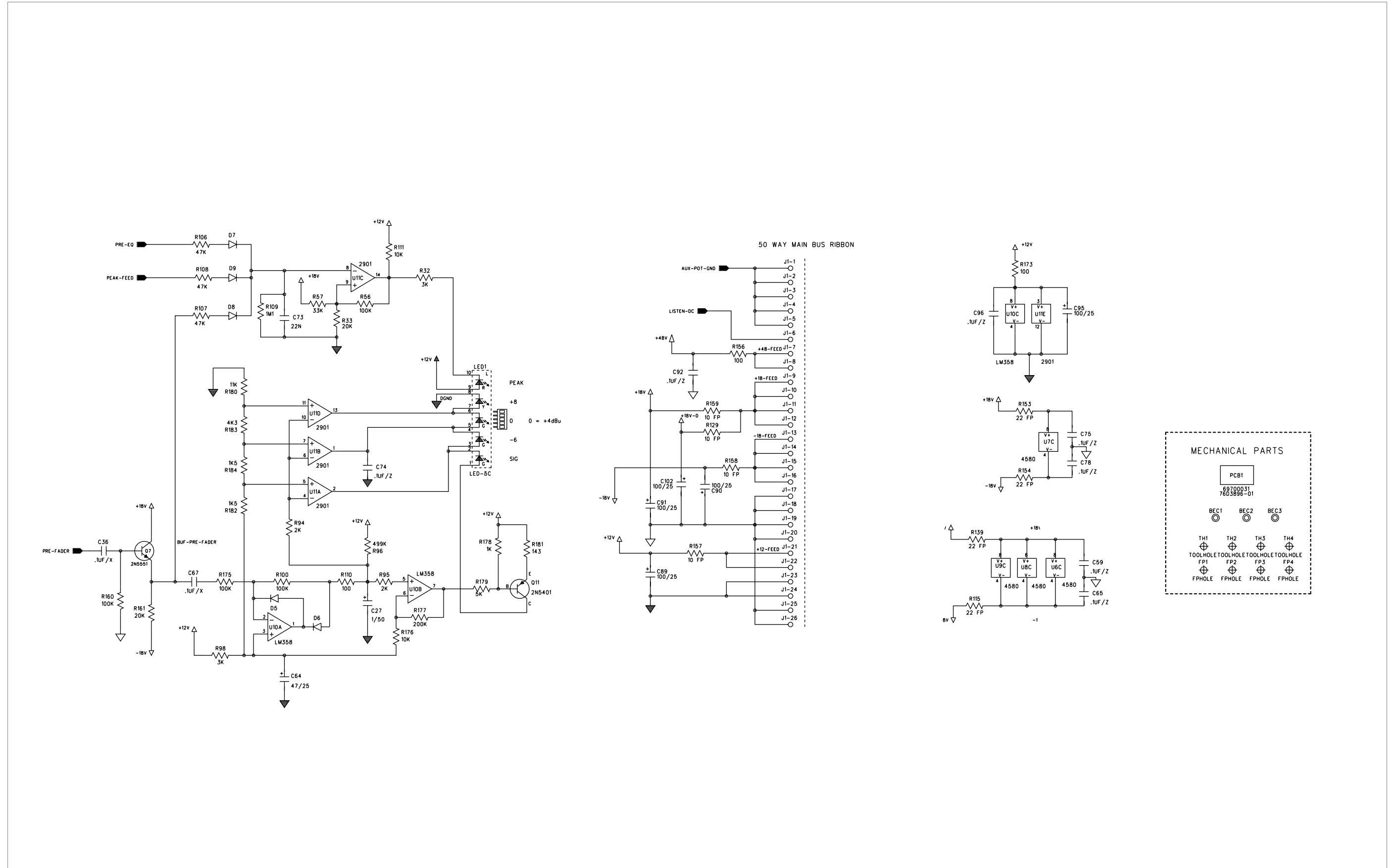
# console rear-view (enlarged)

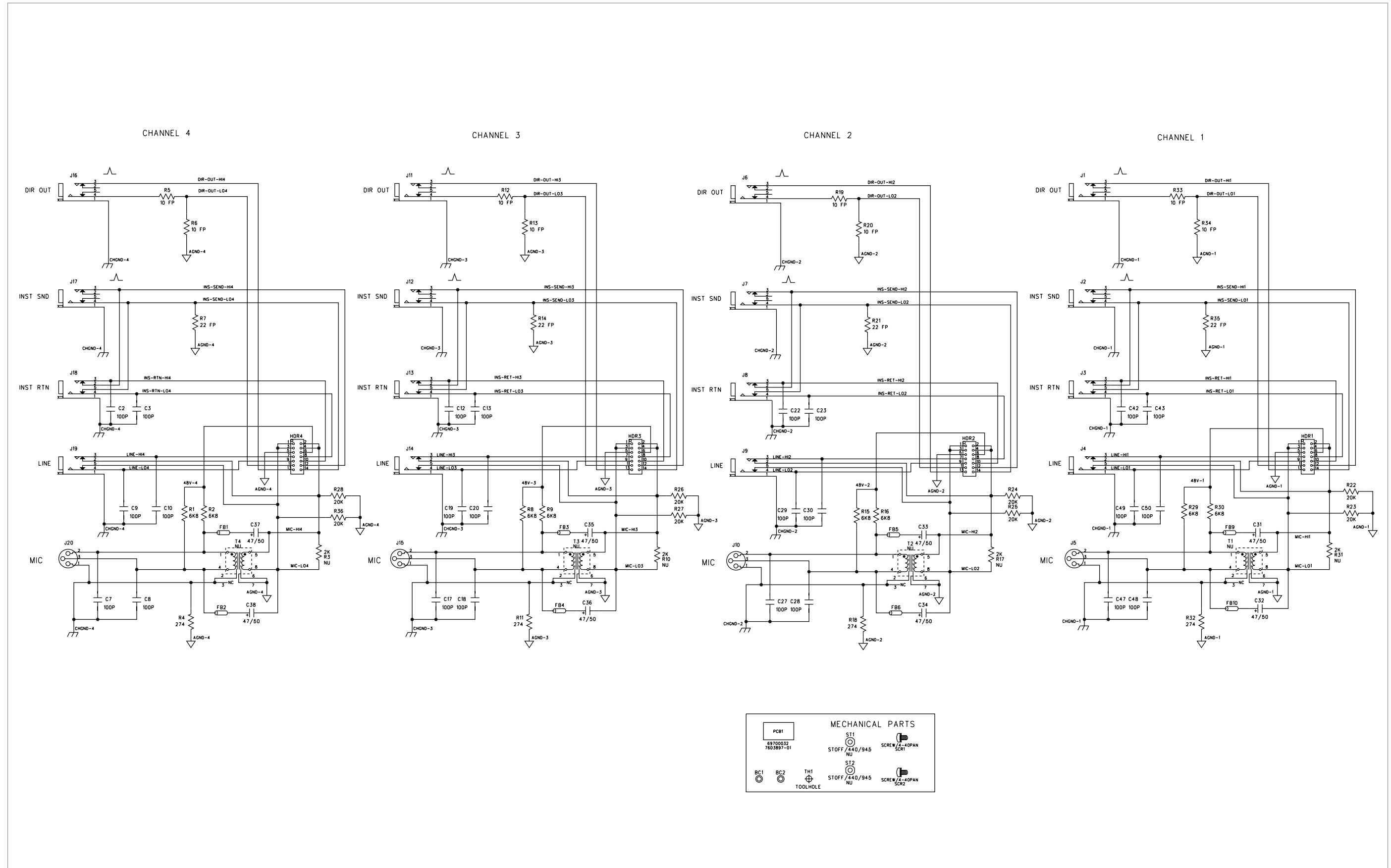
## X-Four



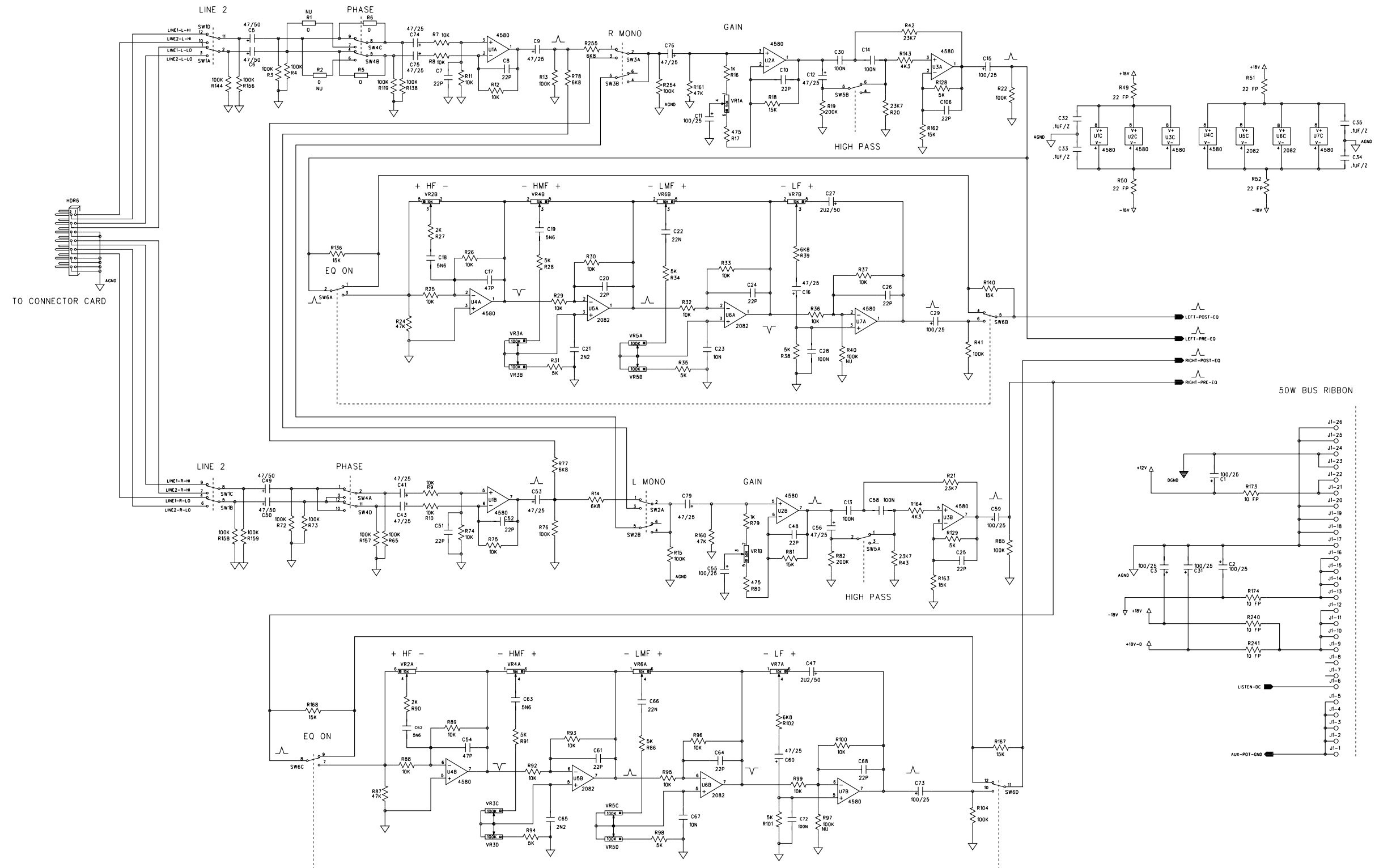


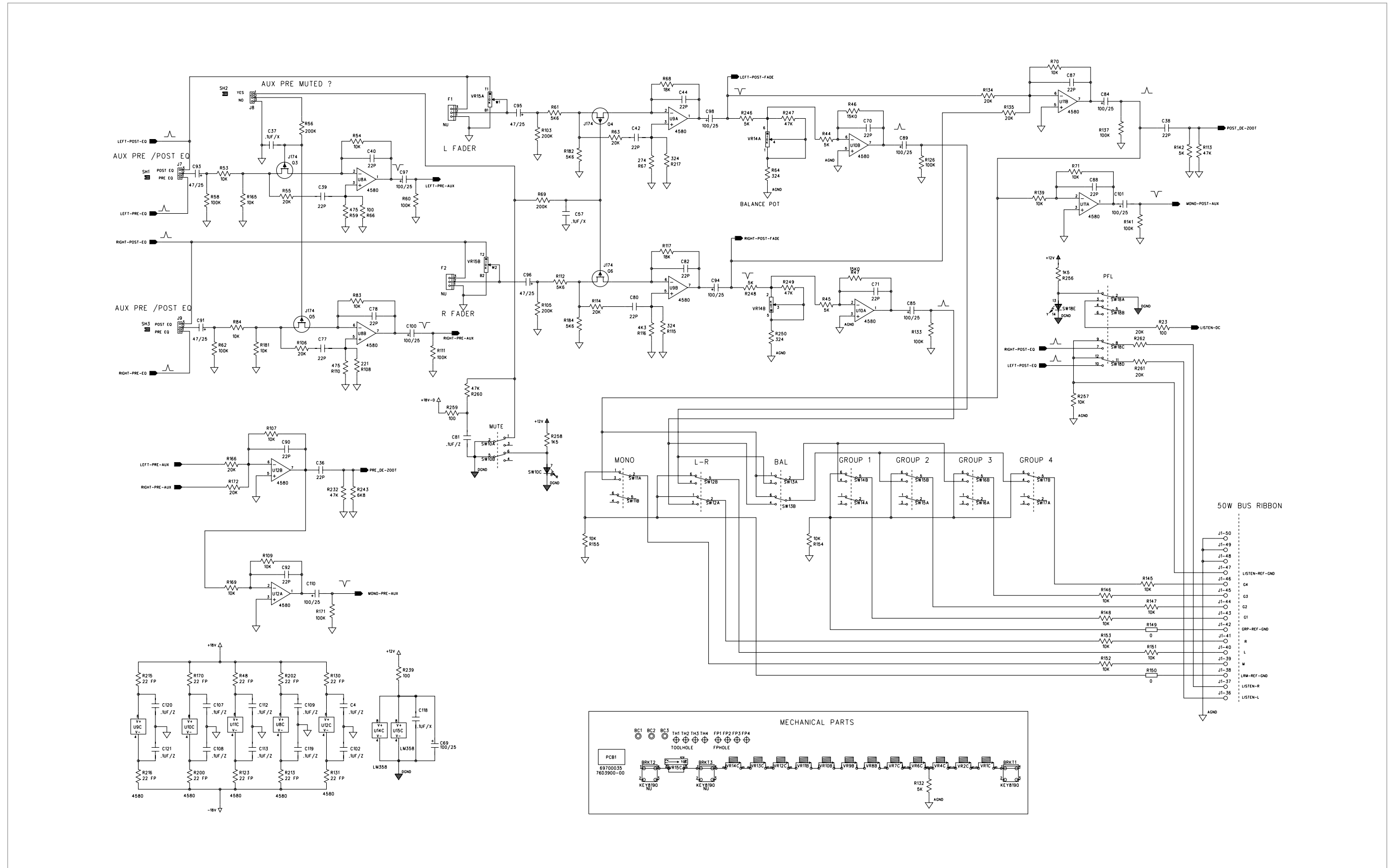


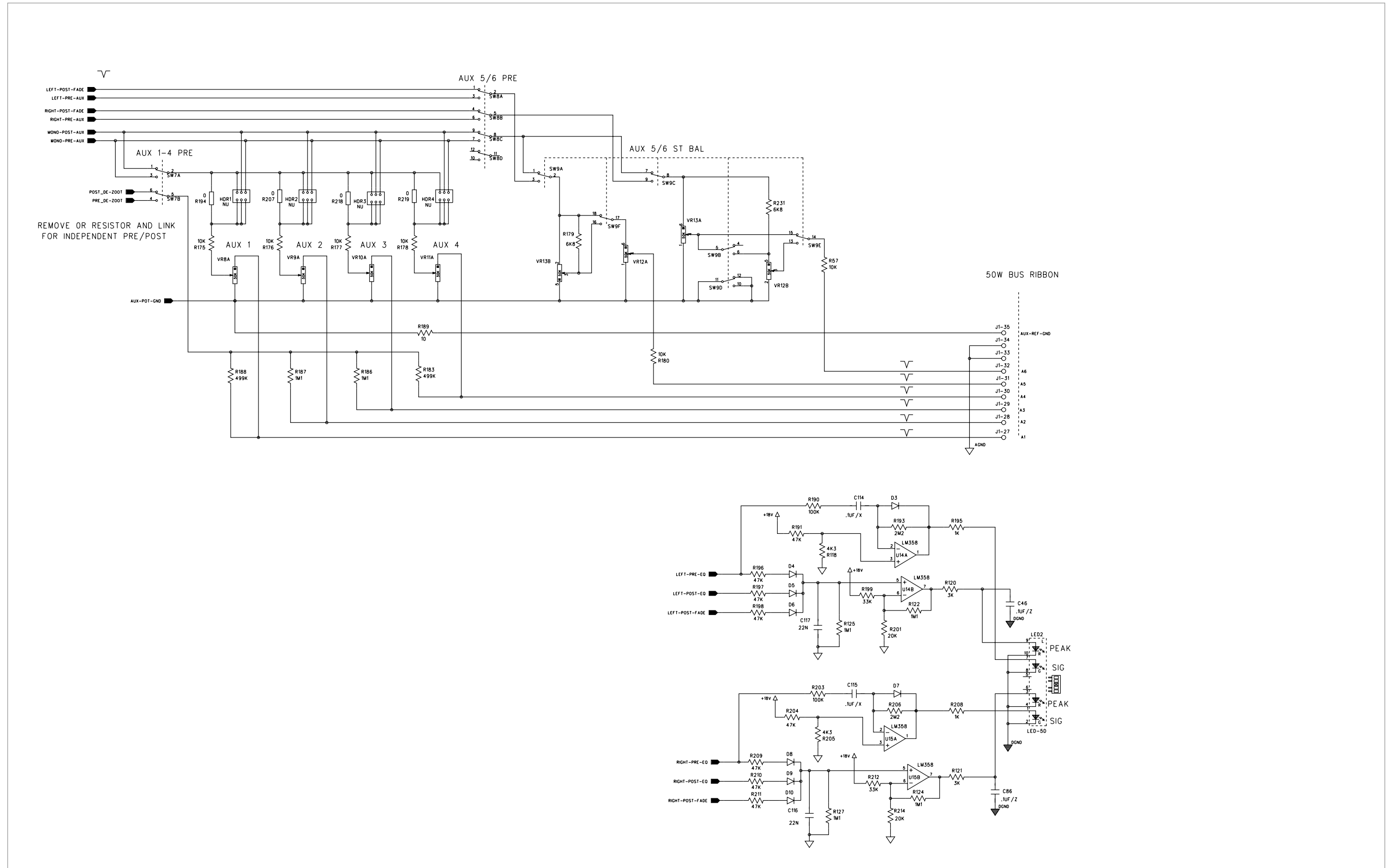


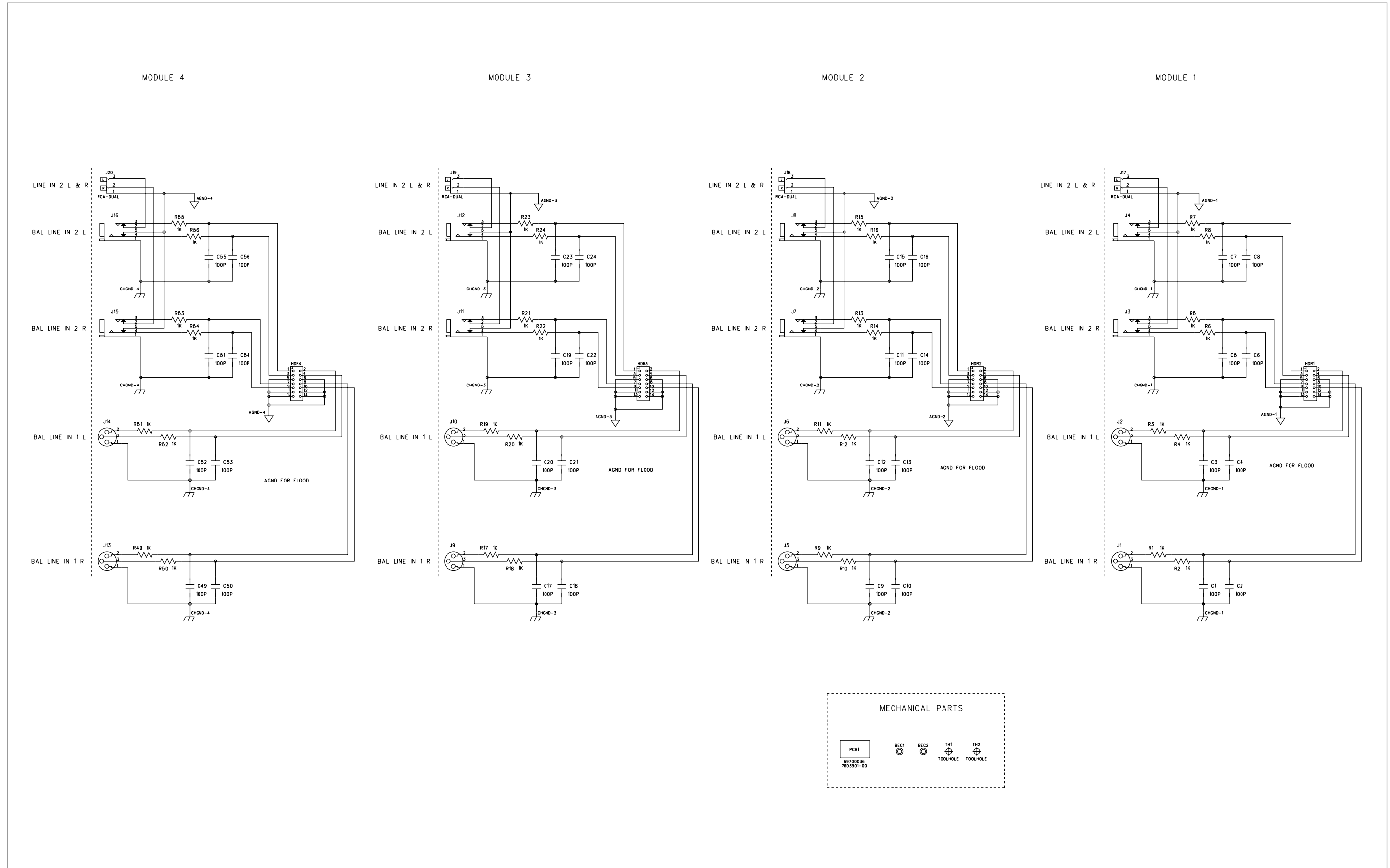


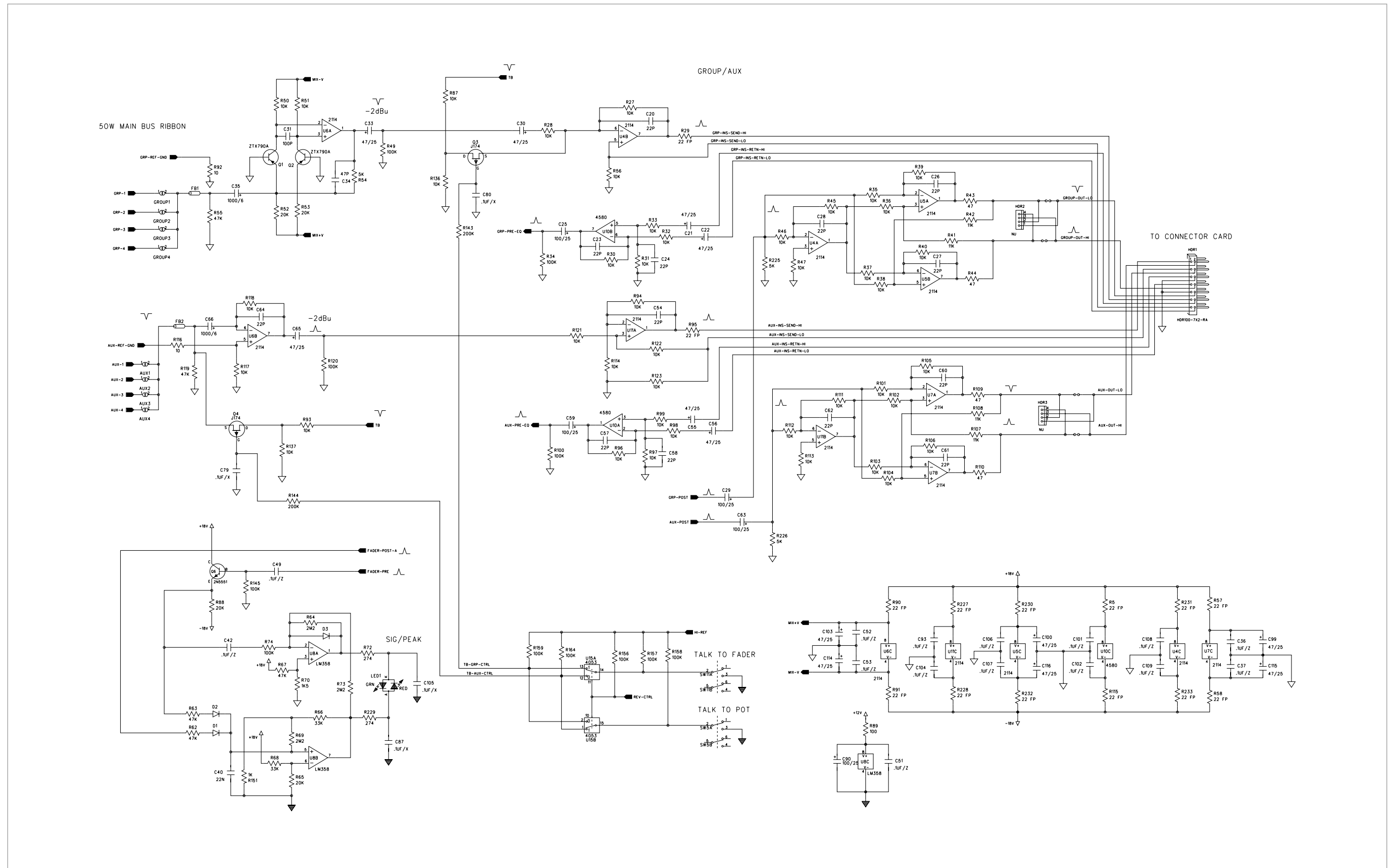


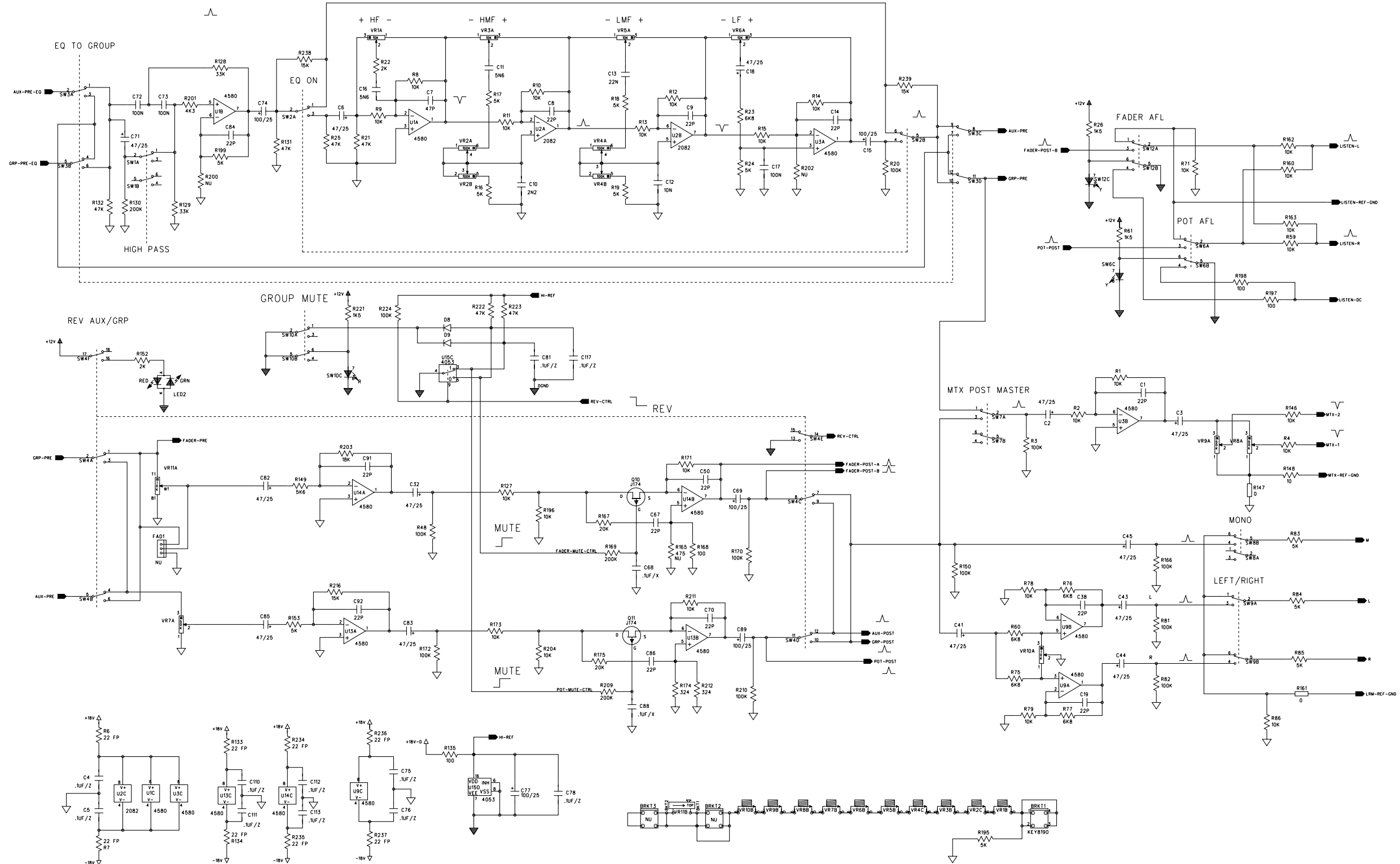


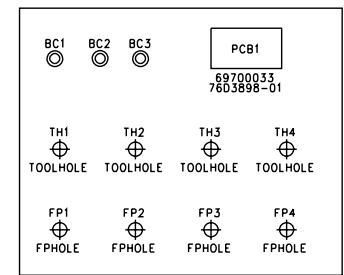
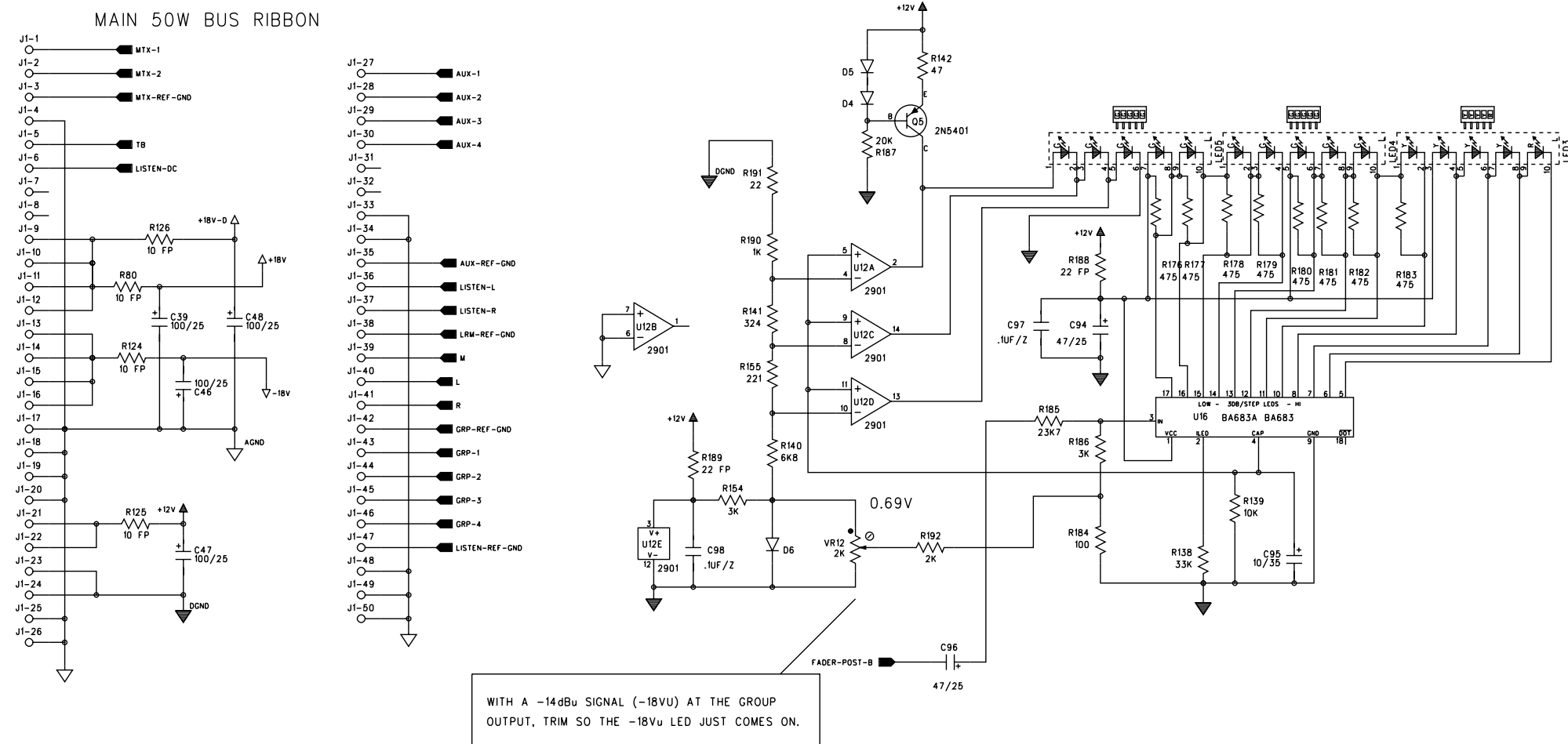


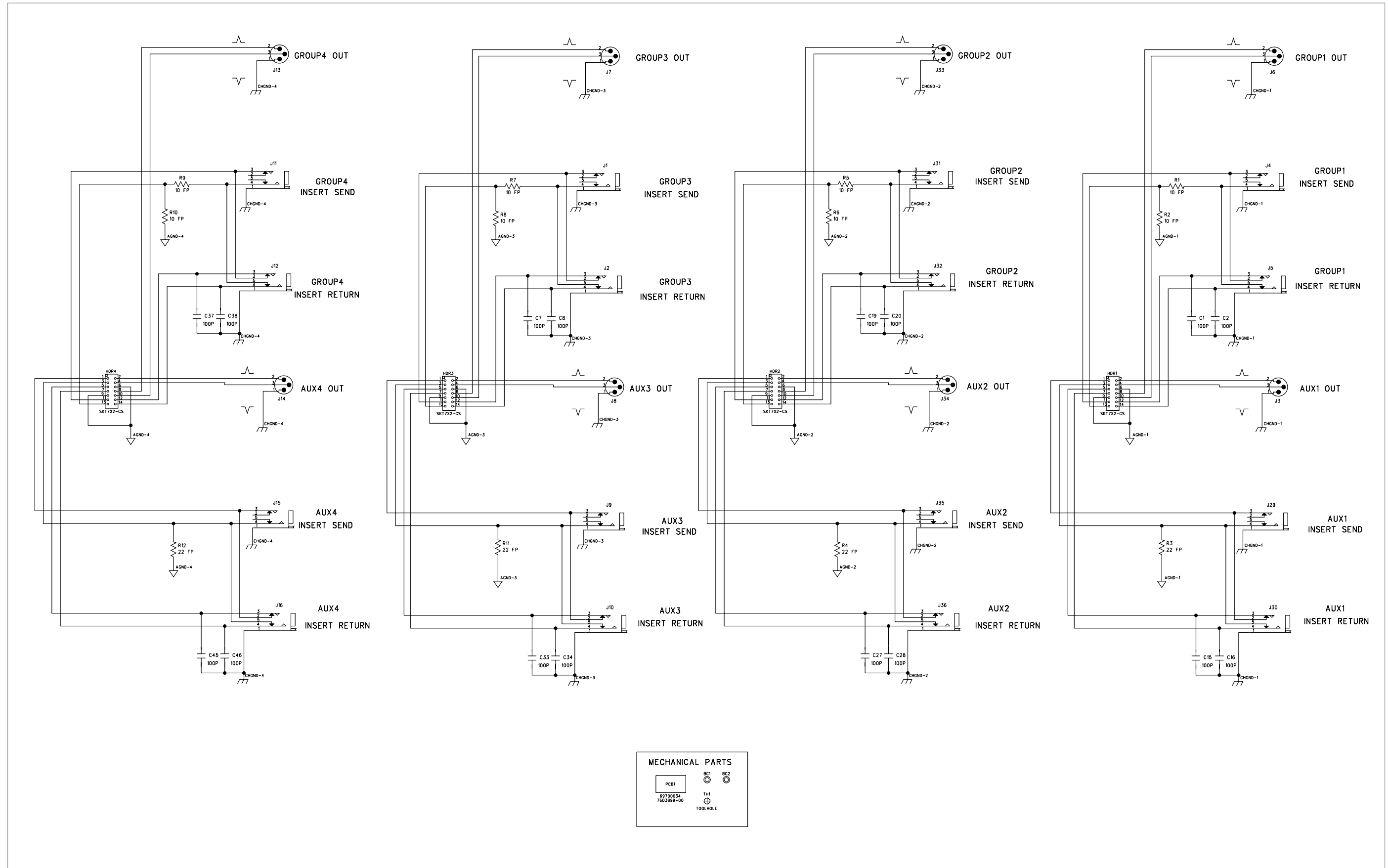




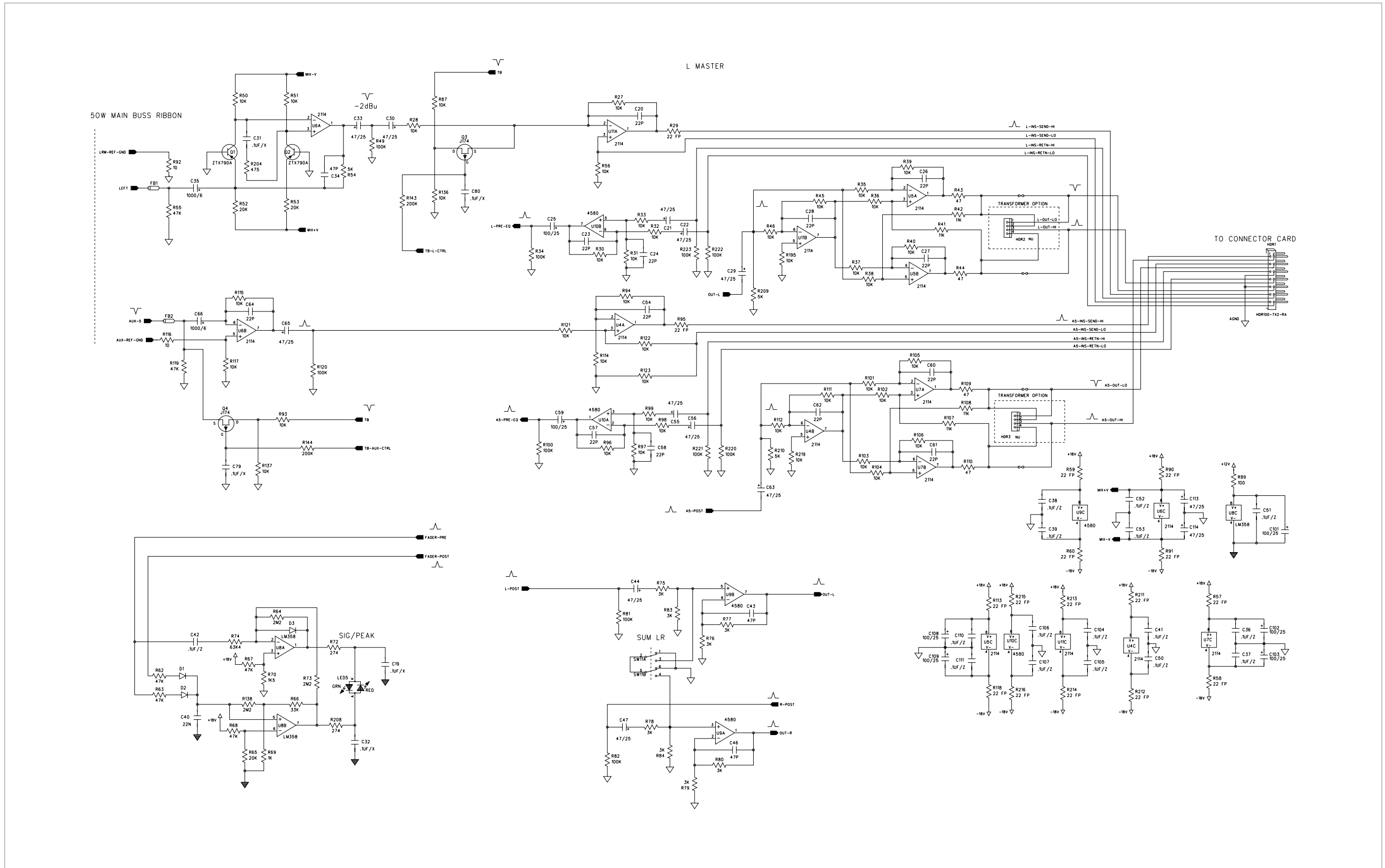


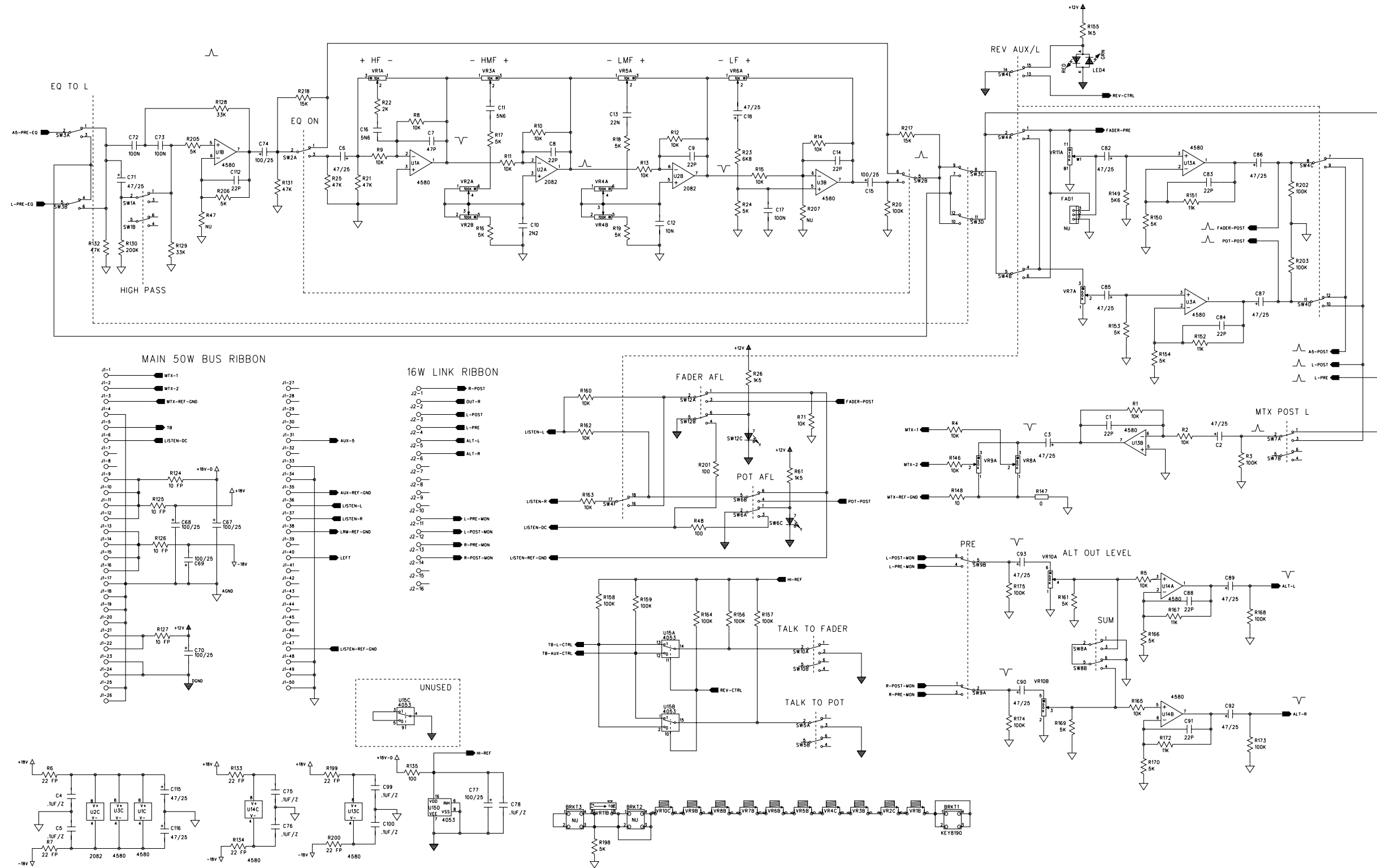


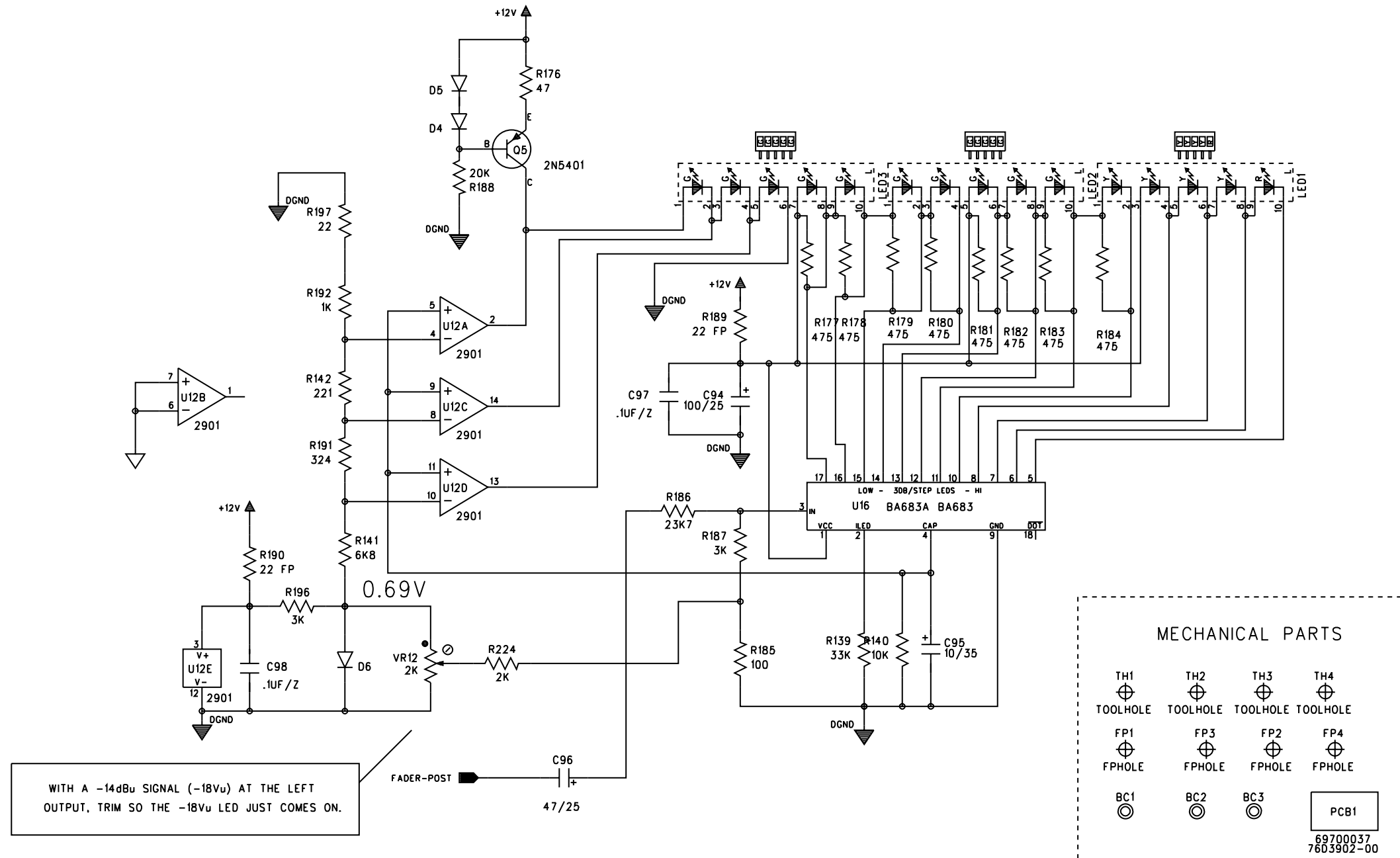


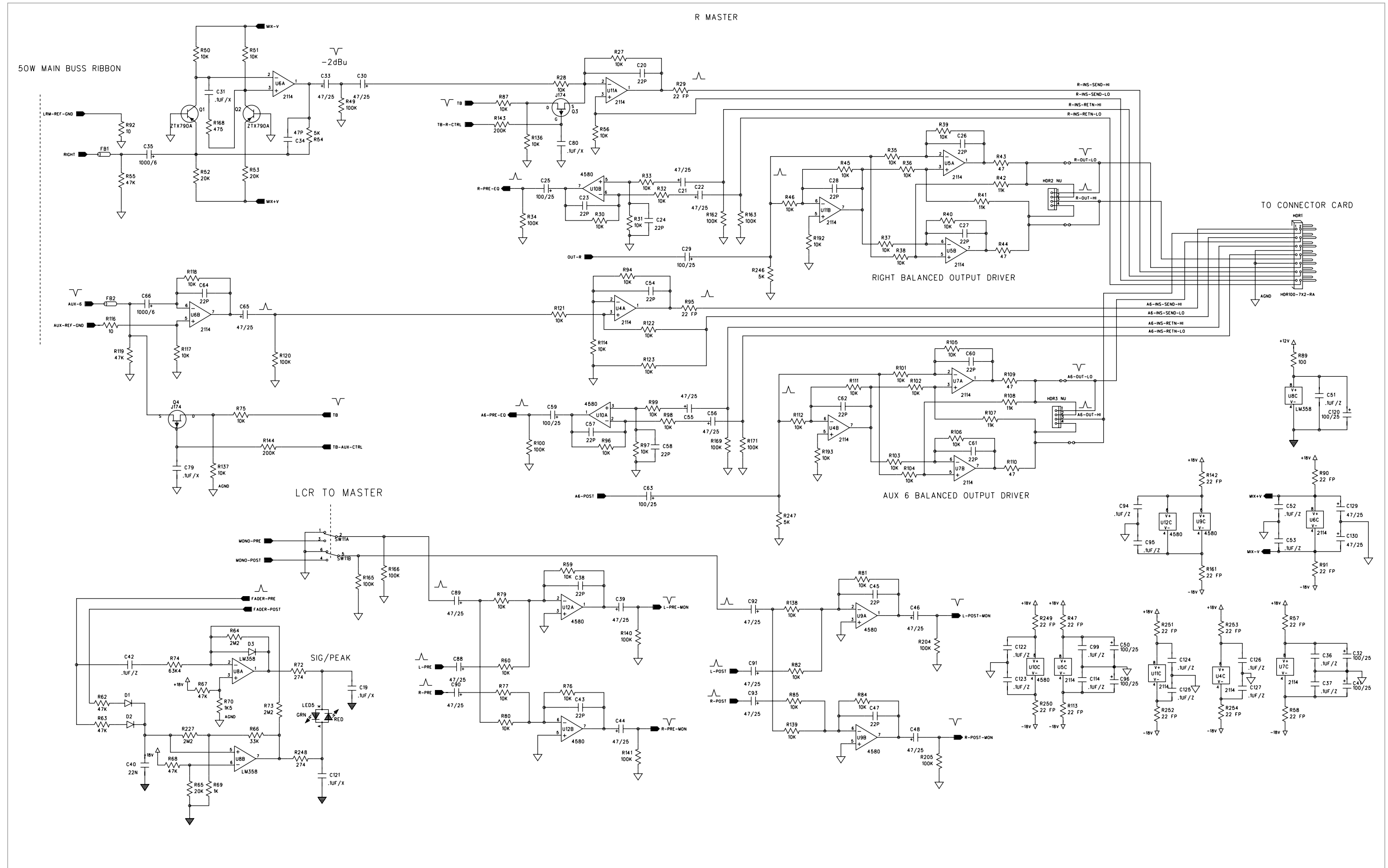


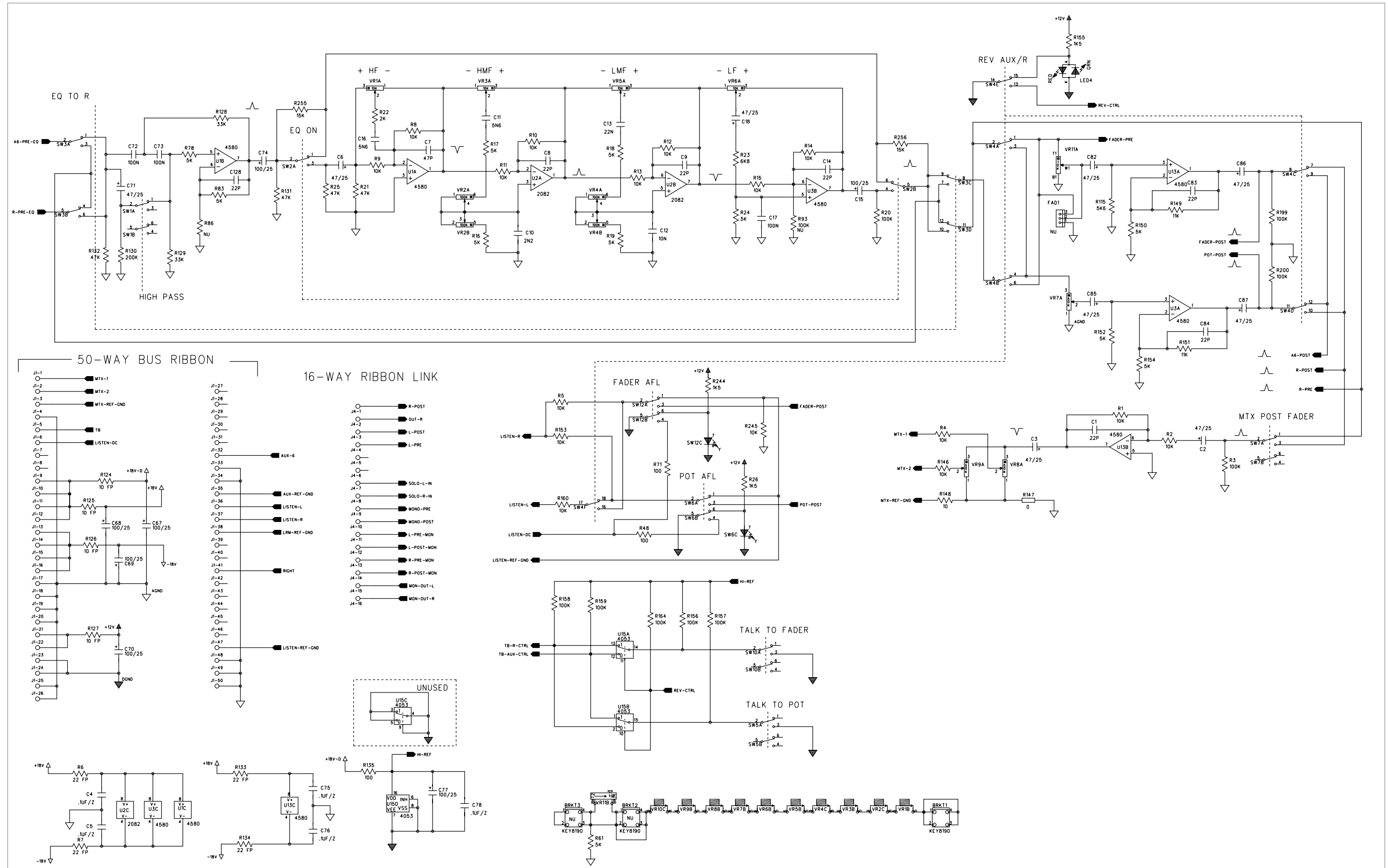


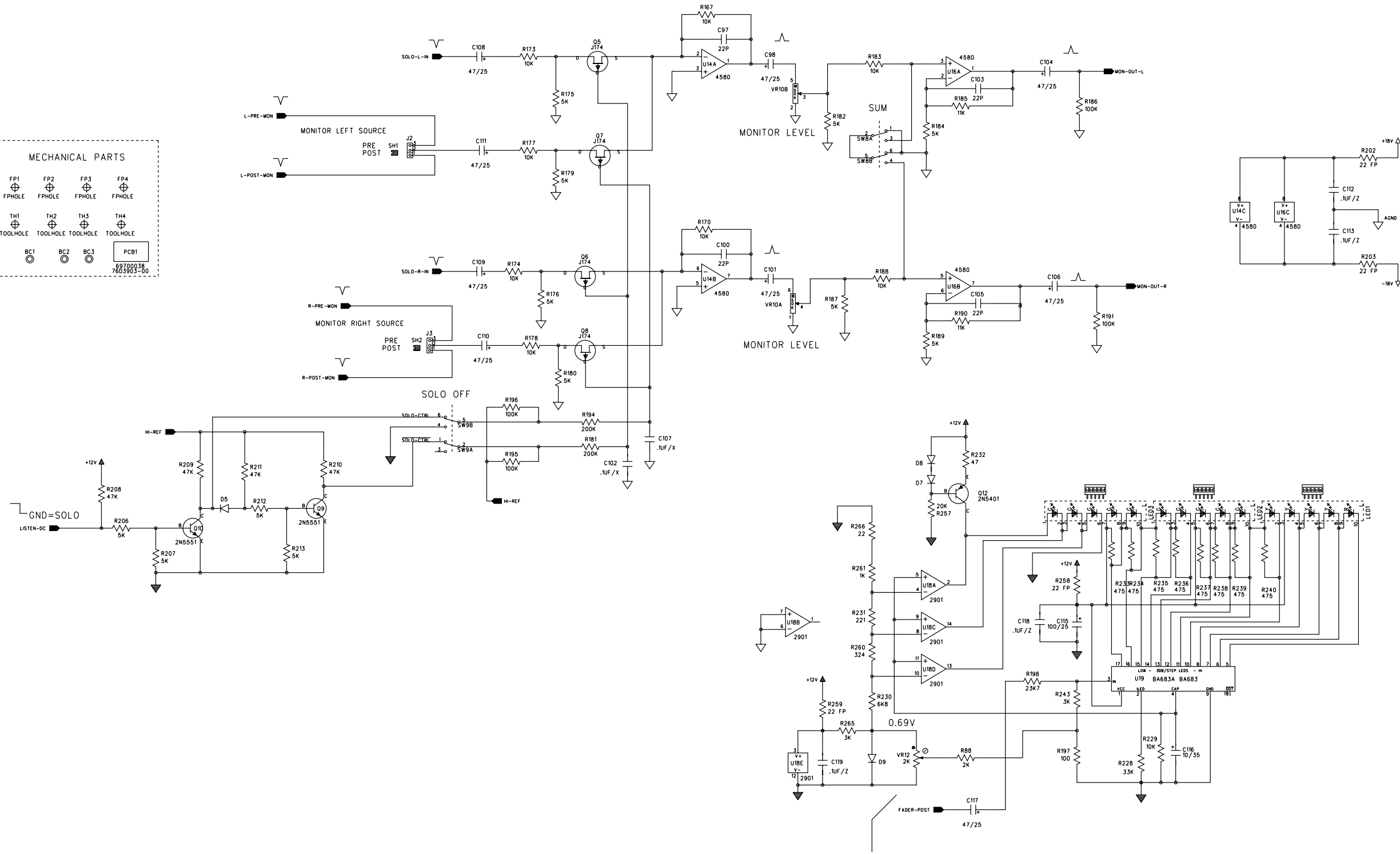
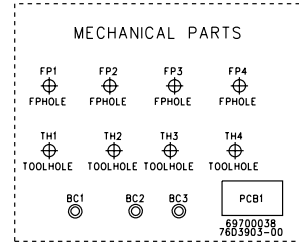






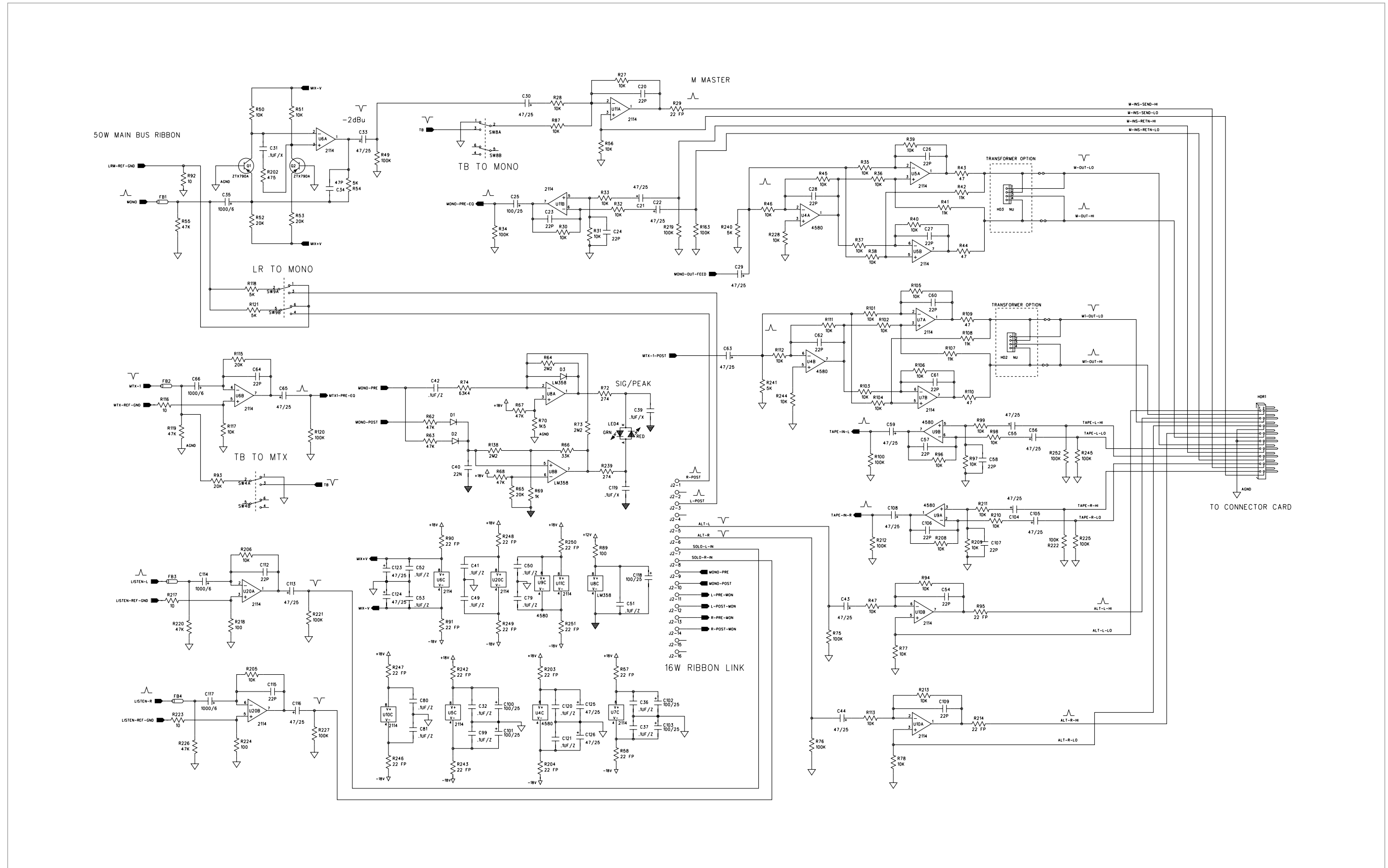


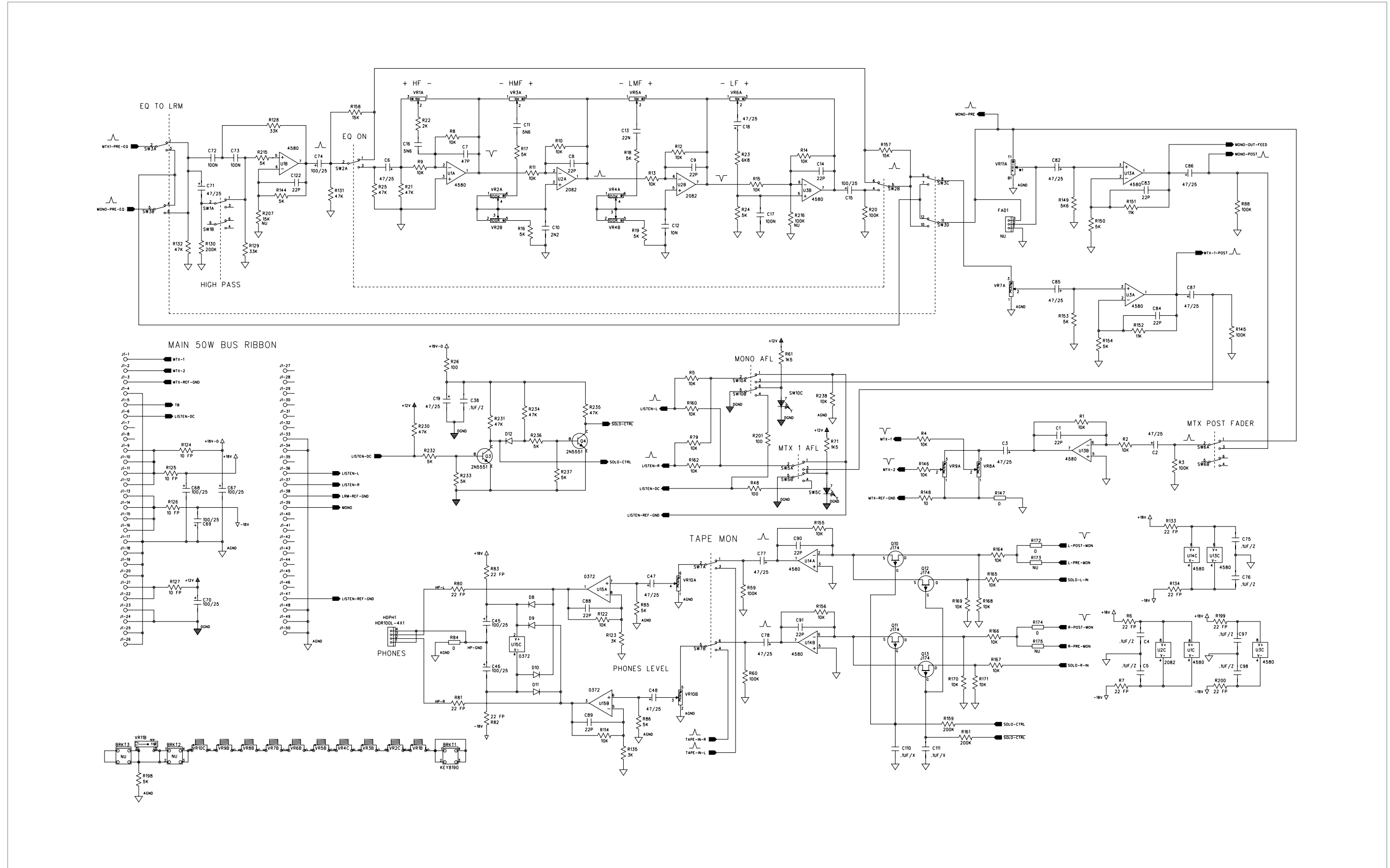




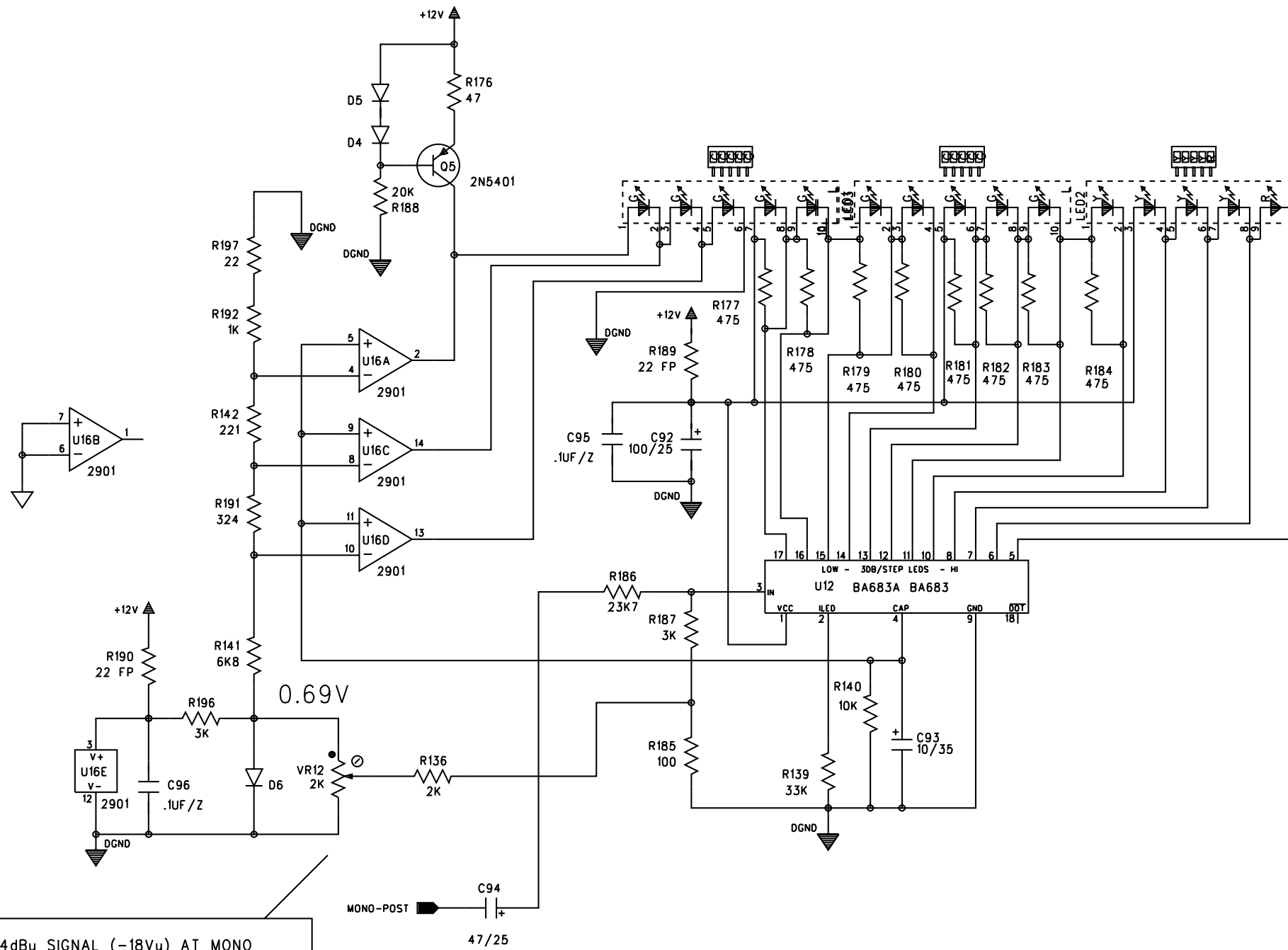
WITH A -14dBu SIGNAL (-18Vu) AT RIGHT OUTPUT, TRIM SO THE -18Vu LED JUST COMES ON.





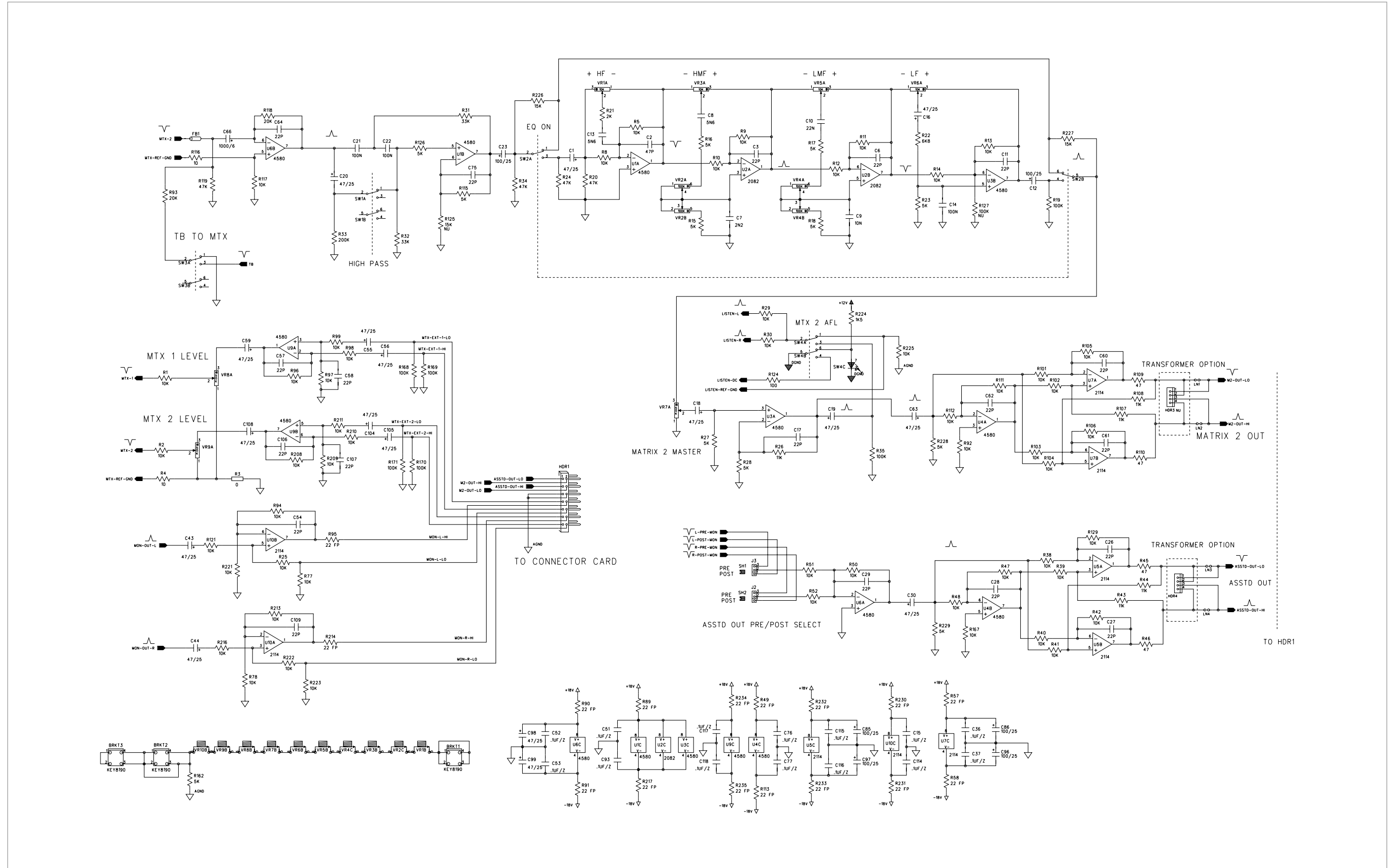




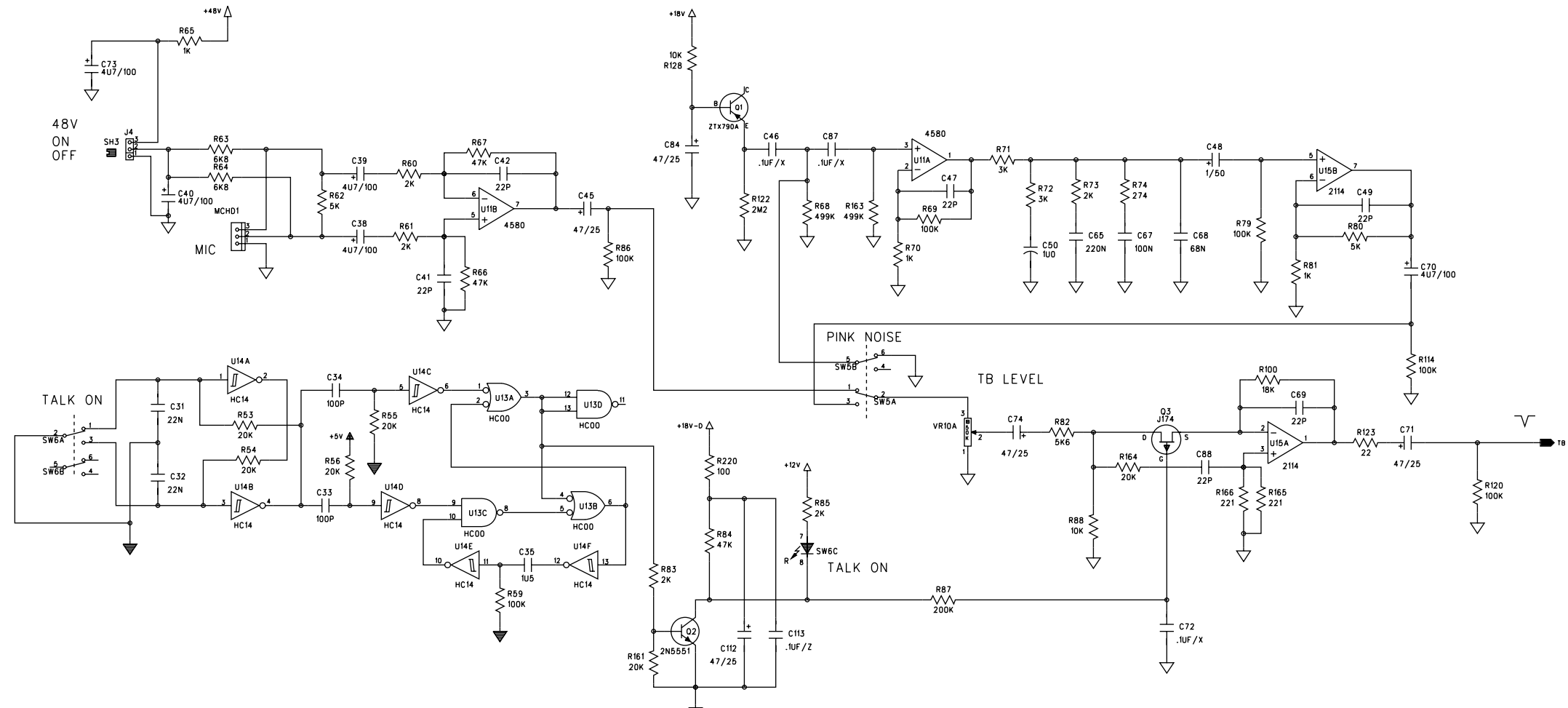
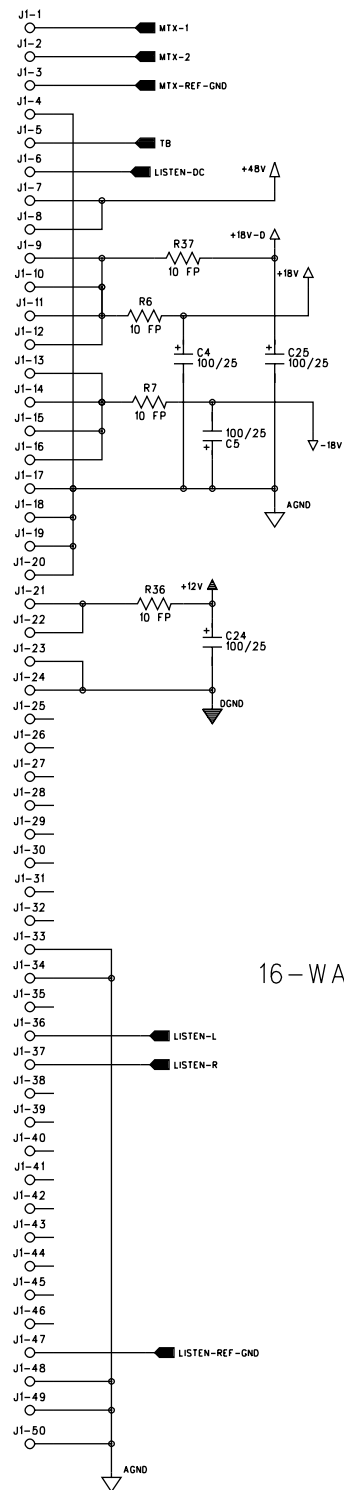


WITH A -14dBu SIGNAL (-18V<sub>u</sub>) AT MONO OUTPUT, TRIM SO THE -18V<sub>u</sub> LED JUST COMES ON.

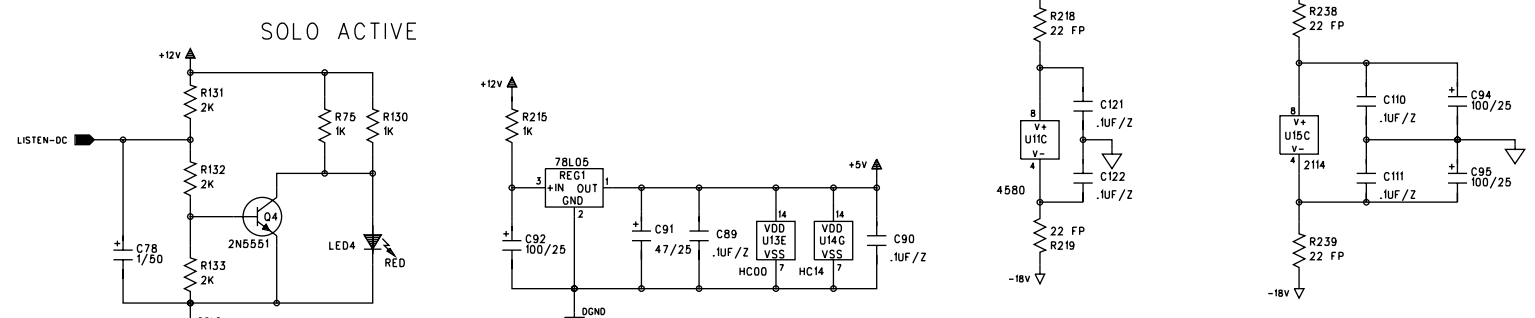
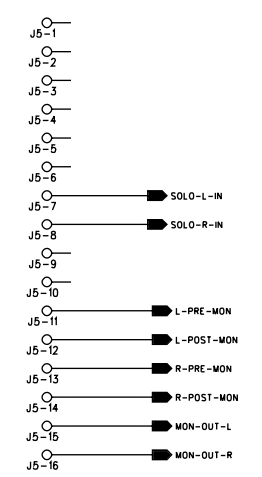


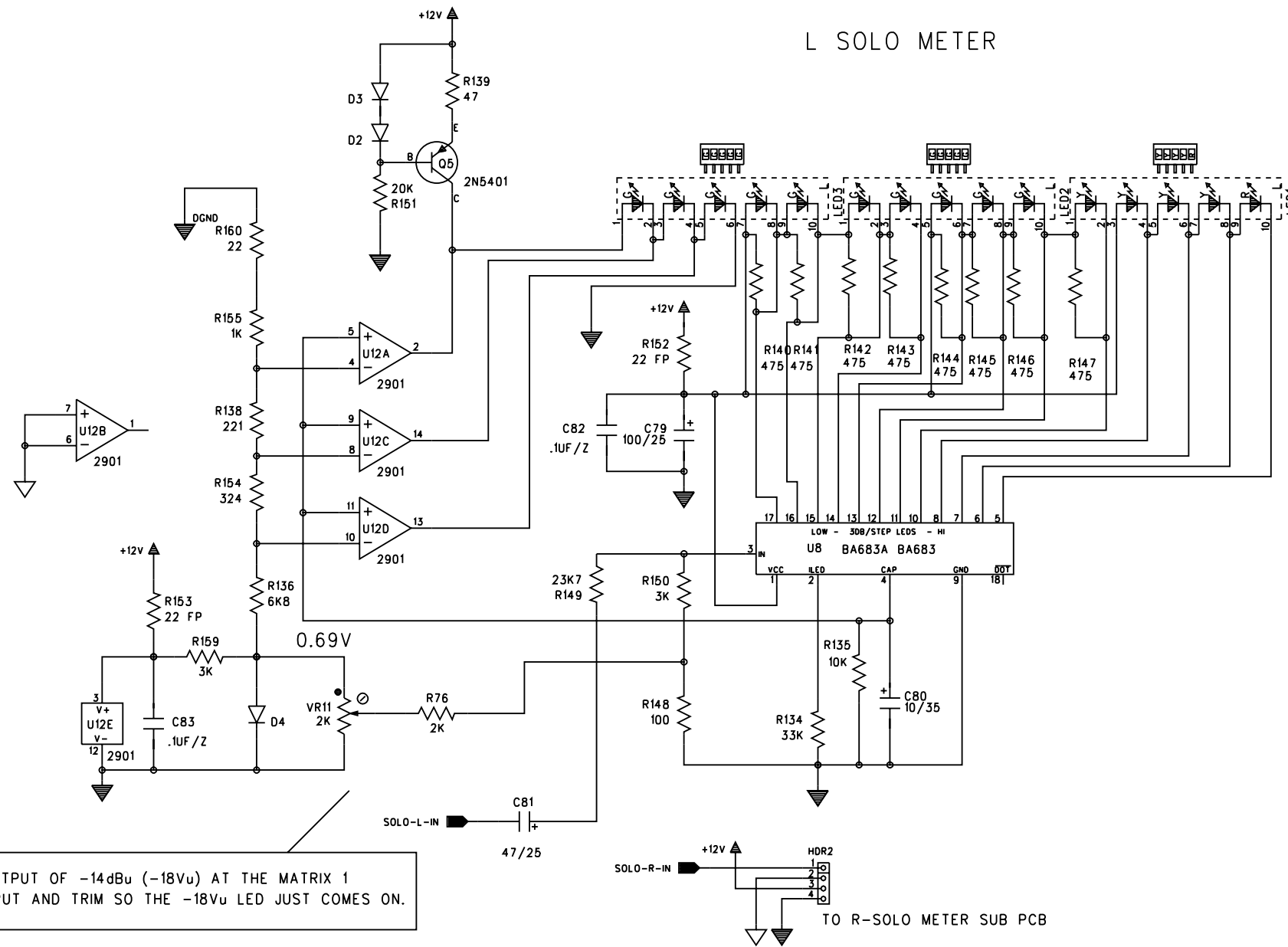


50-WAY MAIN BUS RIBBON

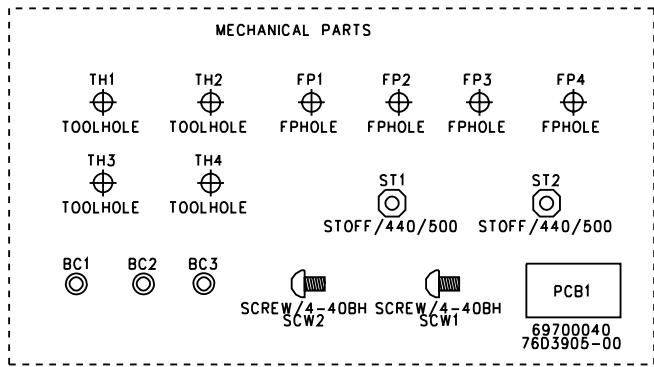


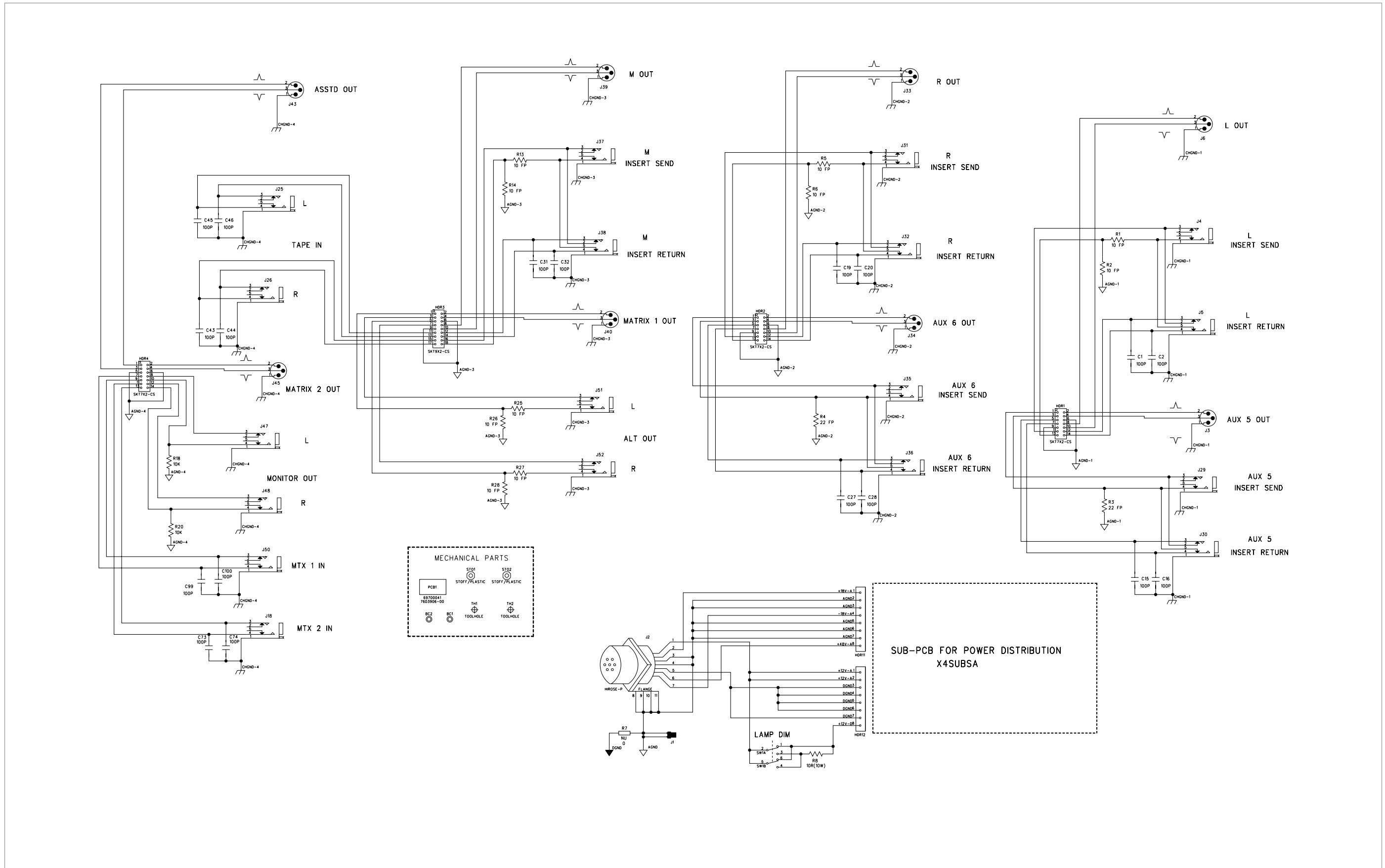
16-WAY RIBBON LINK

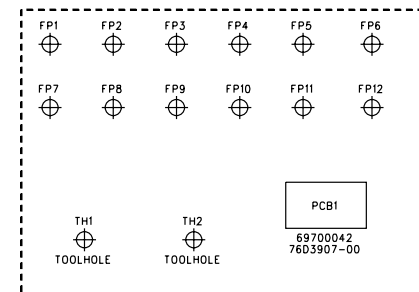
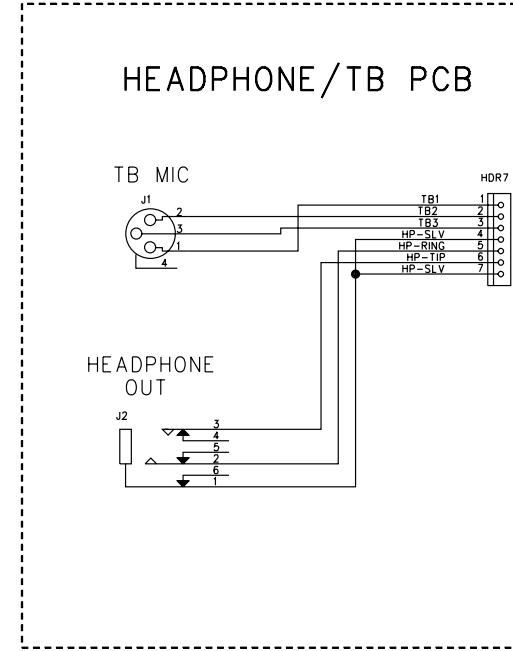
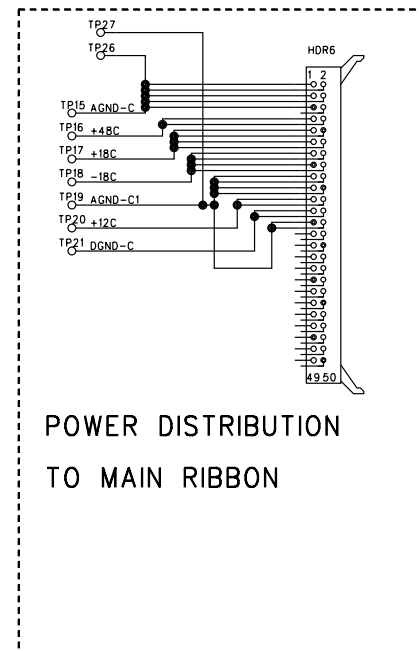
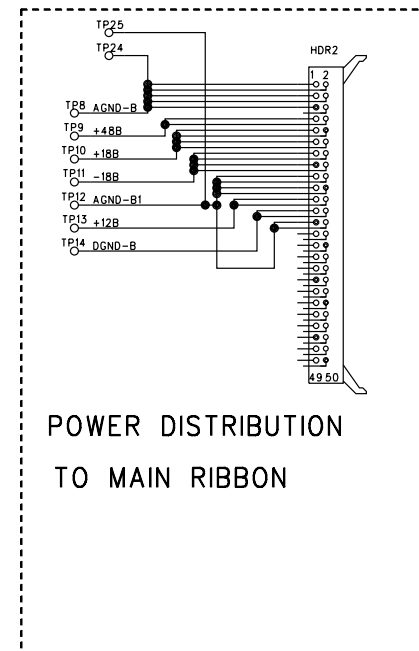
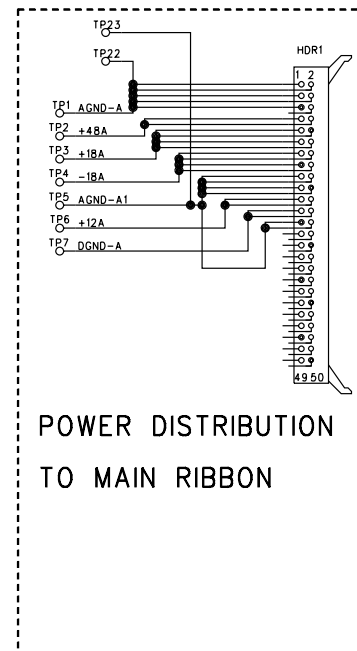
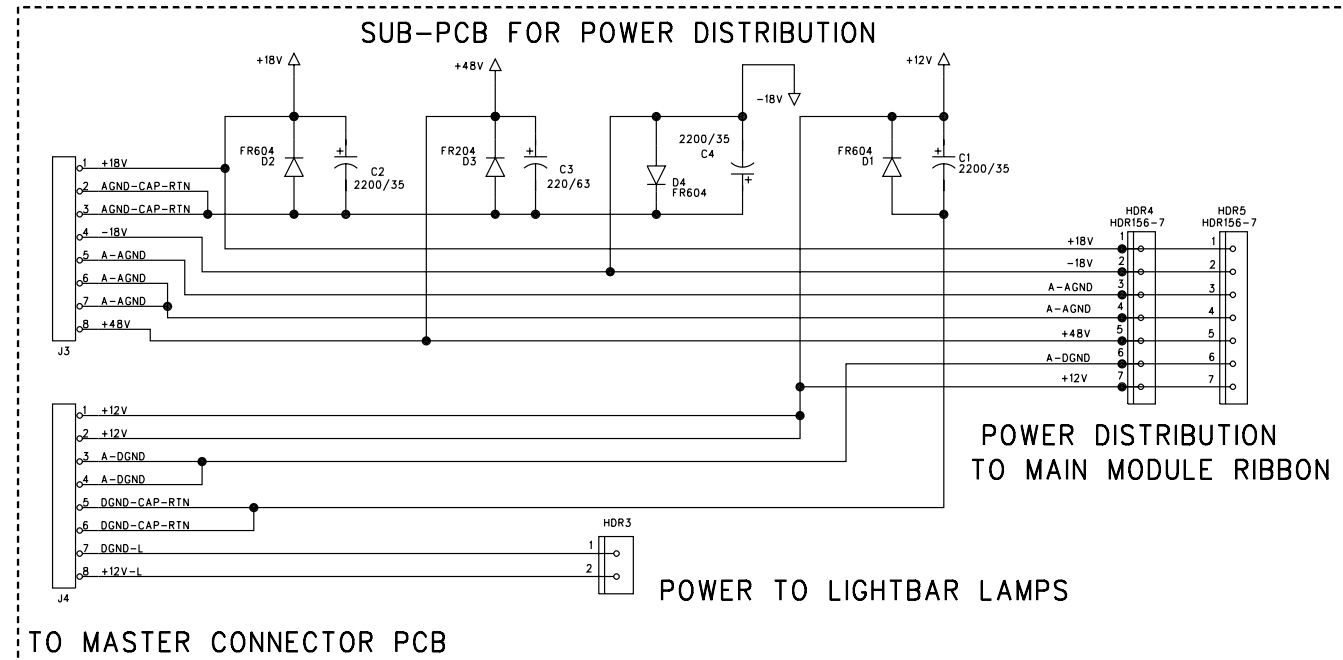


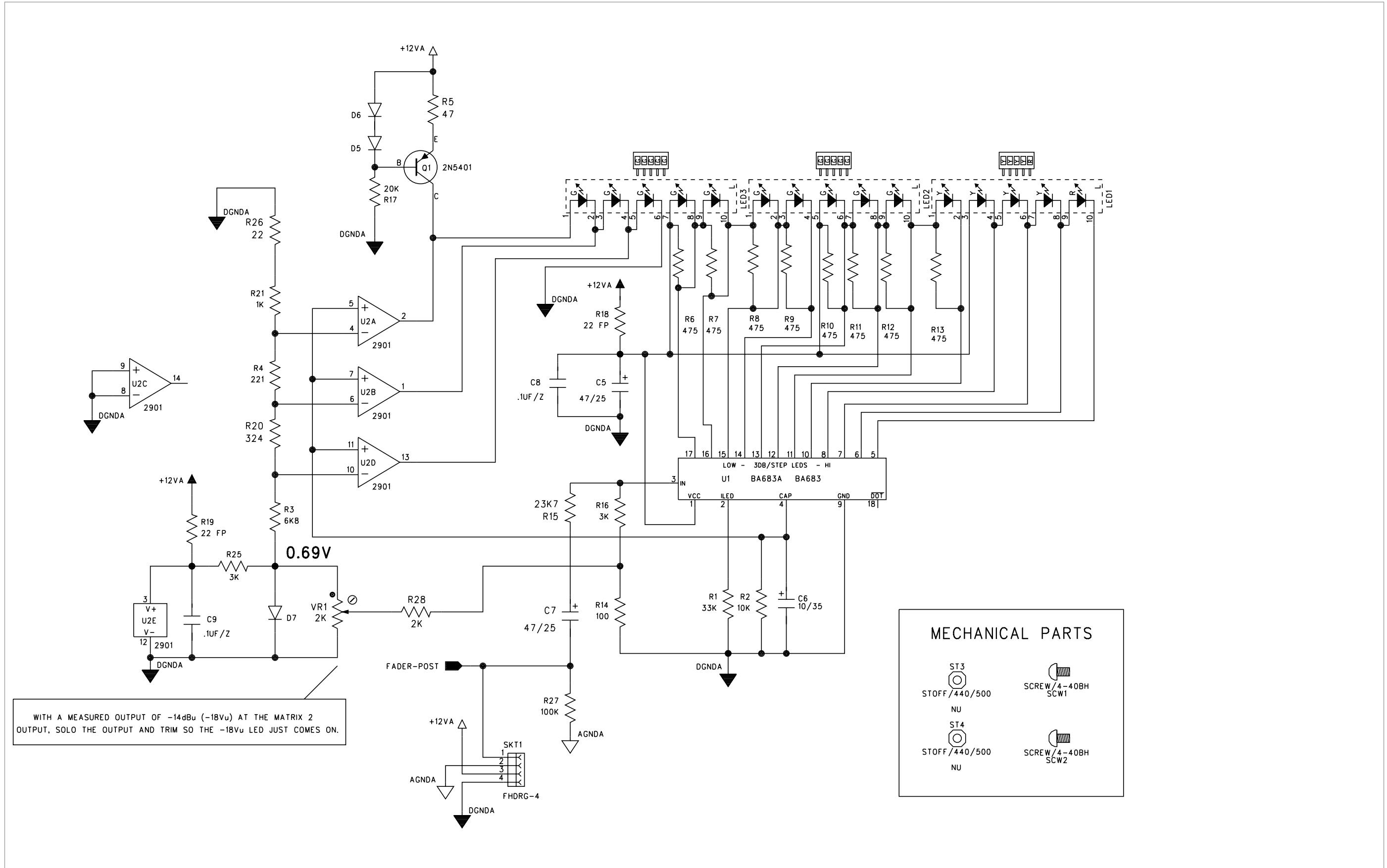


WITH A MEASURED OUTPUT OF  $-14\text{dB}_u$  ( $-18\text{V}_u$ ) AT THE MATRIX 1 OUTPUT, SOLO THE OUTPUT AND TRIM SO THE  $-18\text{V}_u$  LED JUST COMES ON.











v. 1.0 ED0000X4 10/12/99

**Crest Audio Inc.**  
100 Eisenhower Dr., Paramus NJ 07652 USA  
TEL: 201.909.8700 FAX: 201.909.8744  
[www.crestaudio.com](http://www.crestaudio.com)