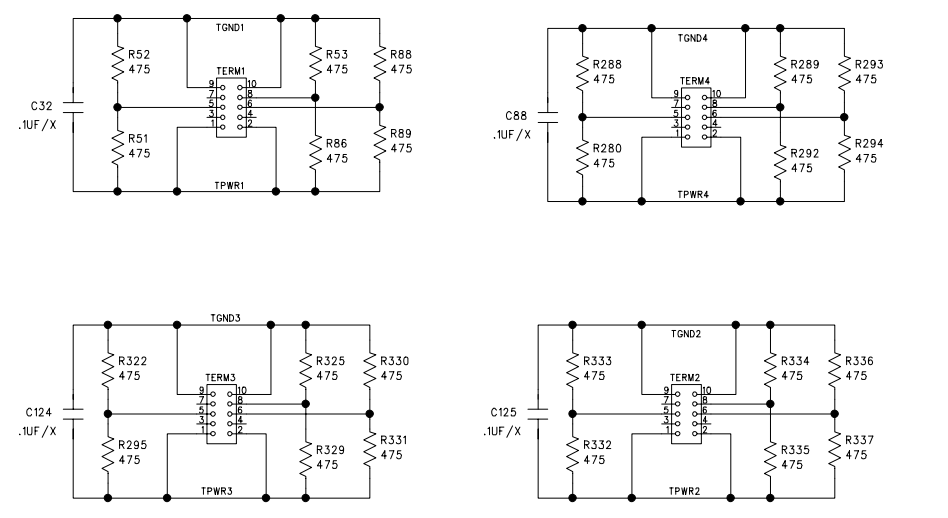


REVISION RECORD			
LTR	ECO NO:	APPROVED:	DATE:

X-SERIES MUTE-BOARD TERMINATOR BOARDS

ADDED TO SCRAP MATERIAL BELOW HDR1

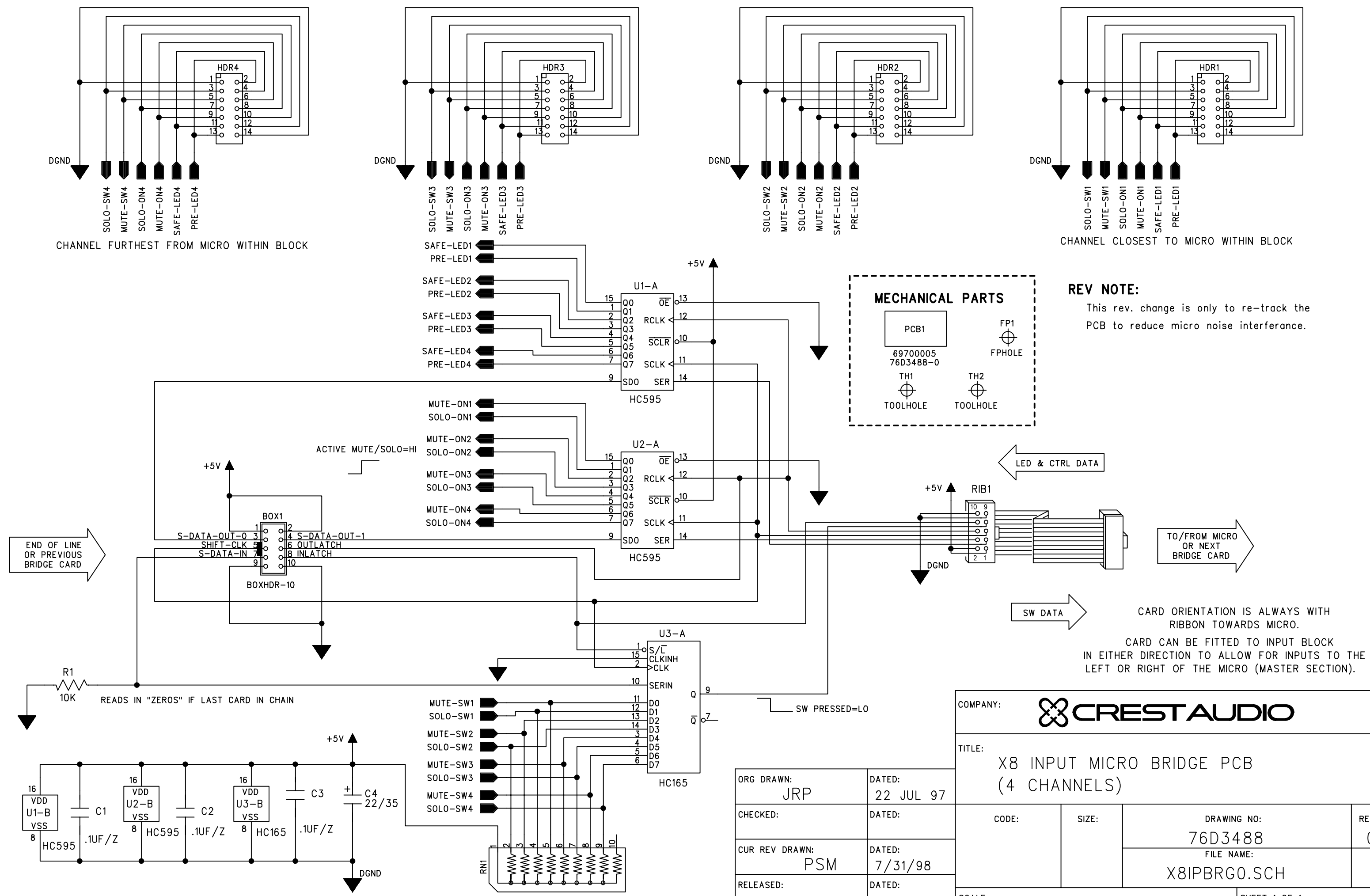


COMPANY: CREST AUDIO

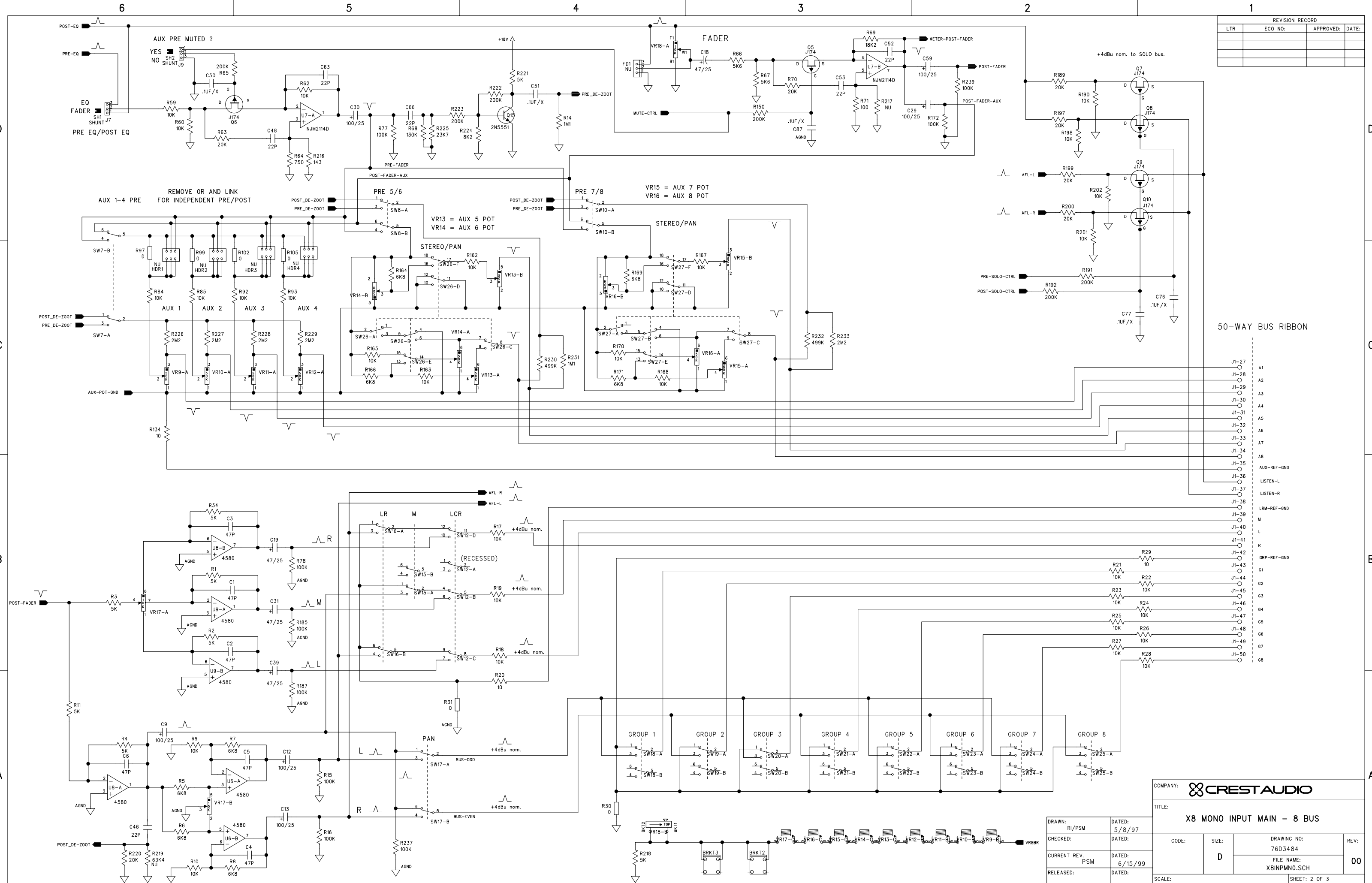
TITLE: X-Terminator

ORG DRAWN: TAZ	DATED: 12/01	CODE:	SIZE: D	DRAWING NO: 76D4479	REV: 3
CHECKED:	DATED:			FILE NAME: XVGRPMN3.SCH	
CUR REV DRAWN: JP	DATED: 3/02				
RELEASED:	DATED:				

SCALE: SHEET: 6 OF 6



REVISION RECORD			
LTR	ECO NO.	APPROVED:	DATE:



50-WAY BUS RIBBON

- J1-27 A1
- J1-28 A2
- J1-29 A3
- J1-30 A4
- J1-31 A5
- J1-32 A6
- J1-33 A7
- J1-34 A8
- J1-35 AUX-REF-GND
- J1-36 LISTEN-L
- J1-37 LISTEN-R
- J1-38 LRM-REF-GND
- J1-39 M
- J1-40 L
- J1-41 R
- J1-42 GRP-REF-GND
- J1-43 G1
- J1-44 G2
- J1-45 G3
- J1-46 G4
- J1-47 G5
- J1-48 G6
- J1-49 G7
- J1-50 G8

COMPANY: **CREST AUDIO**

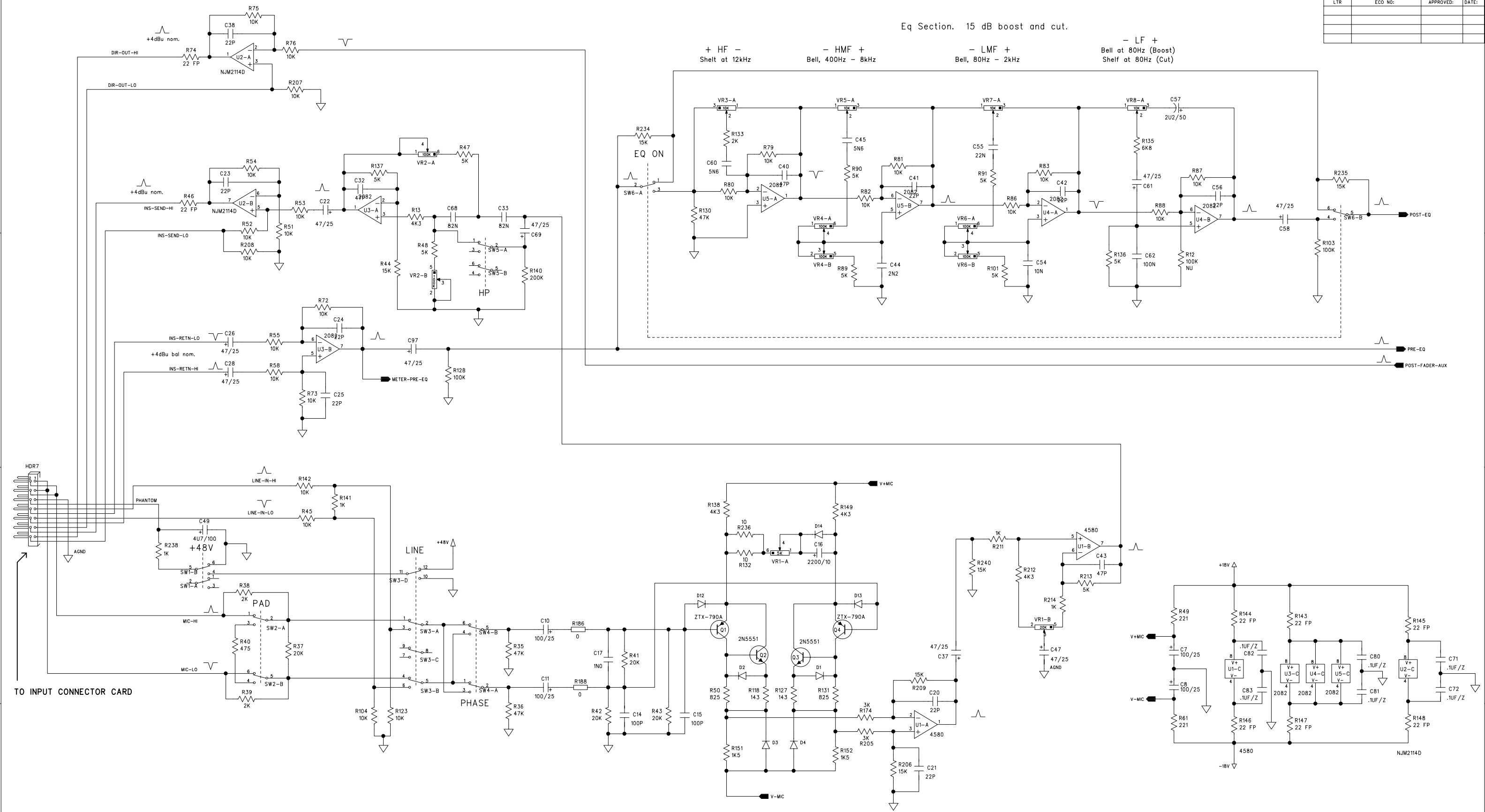
TITLE: **X8 MONO INPUT MAIN - 8 BUS**

DRAWN: R/PSM	DATED: 5/8/97	CODE: D	SIZE: D	DRAWING NO: 76D3484	REV: 00
CHECKED: PSM	DATED: 6/15/99			FILE NAME: X8INPMNO.SCH	
CURRENT REV. PSM	DATED: 6/15/99	SCALE:		SHEET: 2 OF 3	

REVISION RECORD			
LTR	ECO NO.	APPROVED:	DATE:

Eq Section. 15 dB boost and cut.

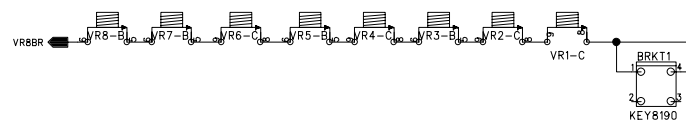
+ HF - Shelf at 12kHz
 - HMF + Bell, 400Hz - 8kHz
 - LMF + Bell, 80Hz - 2kHz
 - LF + Bell at 80Hz (Boost)
 Shelf at 80Hz (Cut)



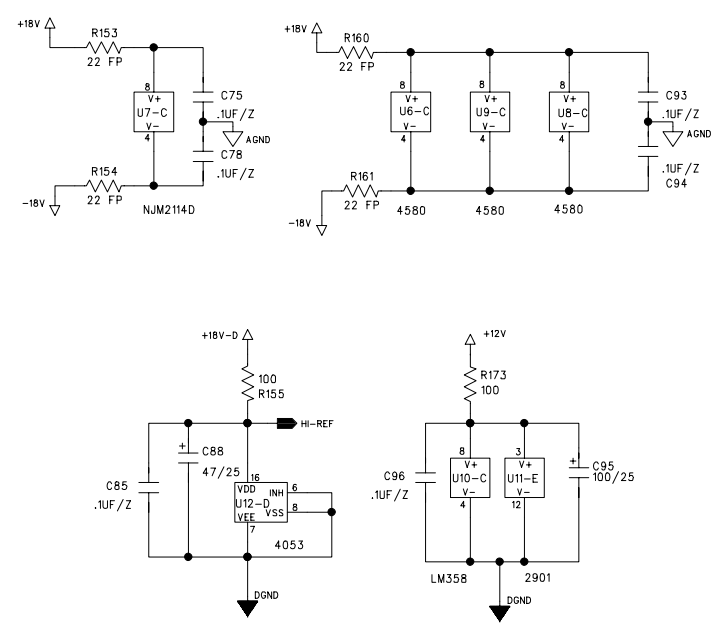
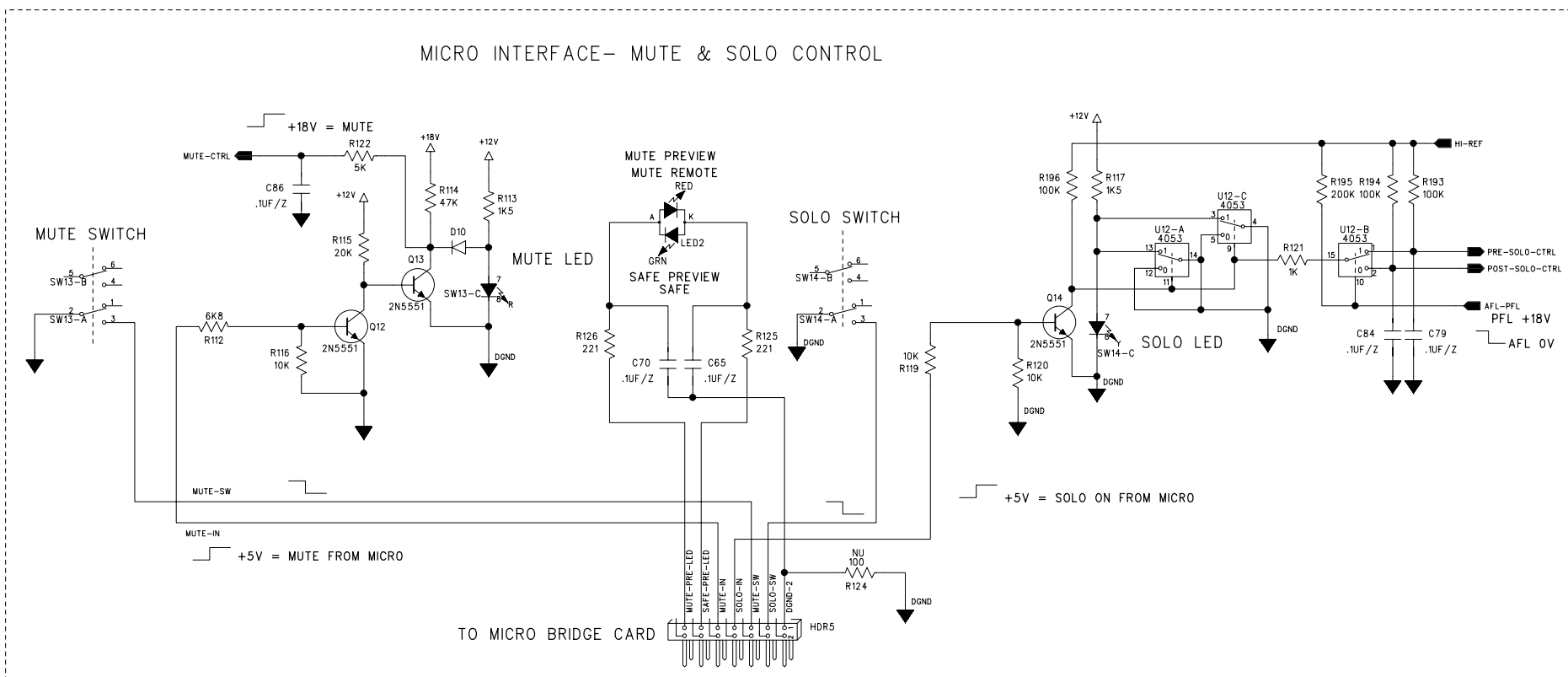
COMPANY: **CREST AUDIO**

TITLE: **X8 MONO INPUT MAIN PCB - 8 BUS**

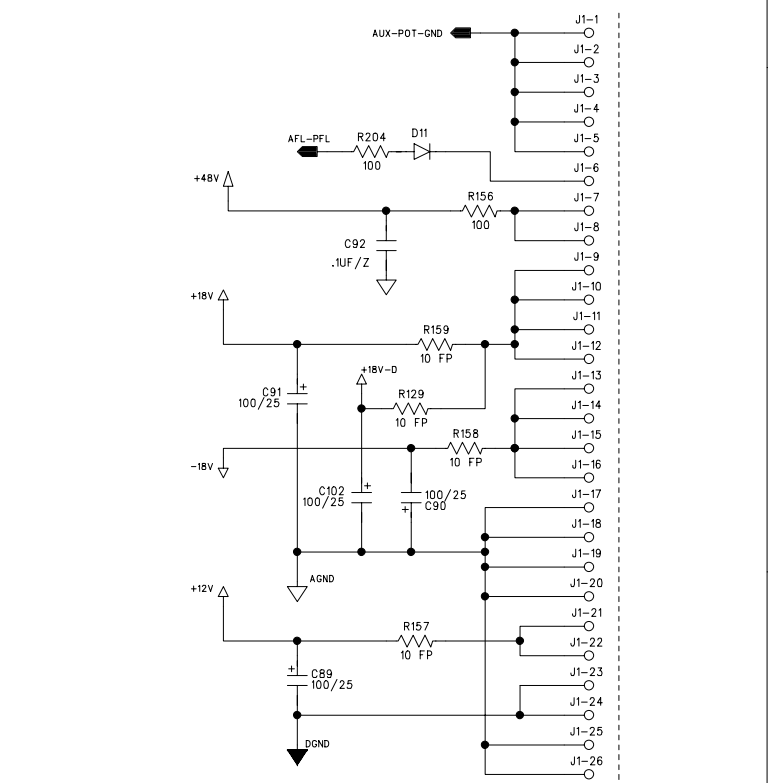
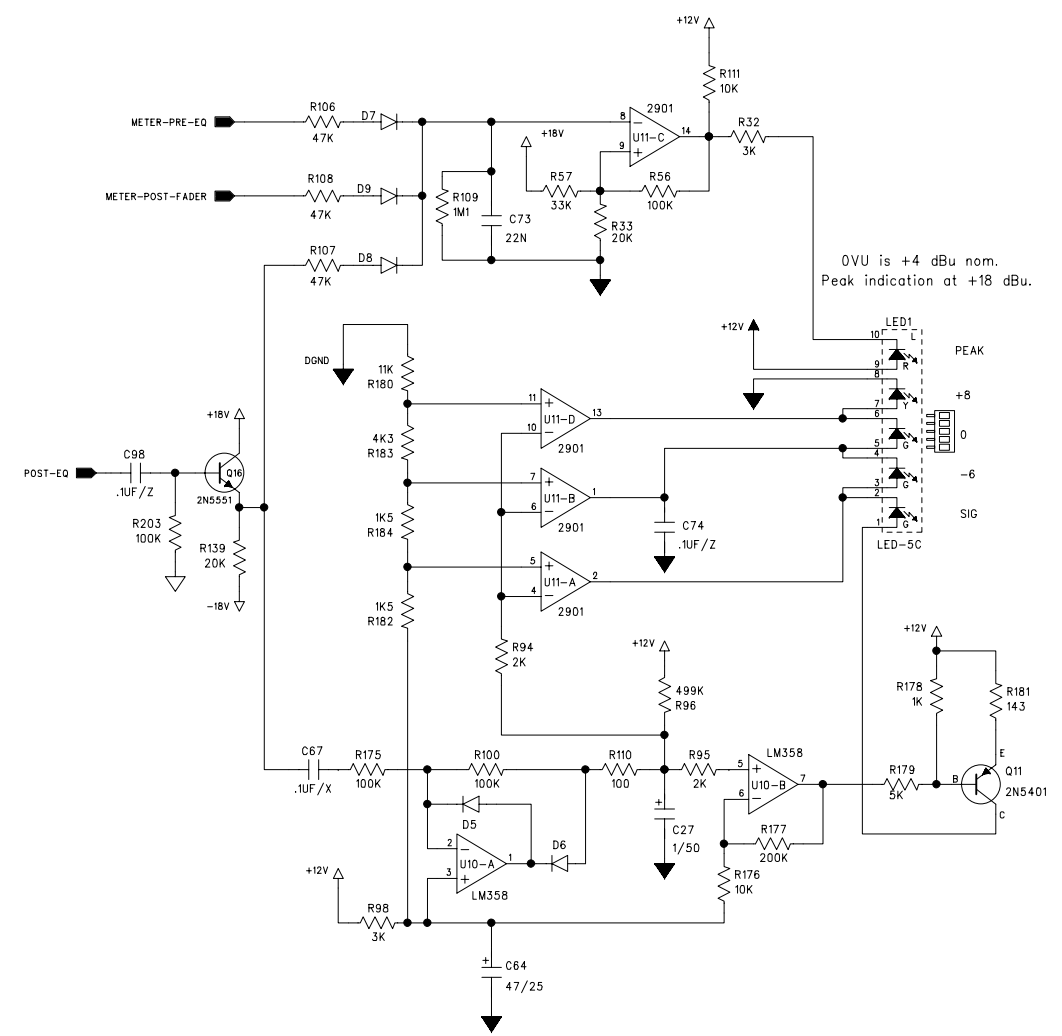
DRAWN: RI/PSM	DATED: 5/8/97	CODE:	SIZE:	DRAWING NO:	REV:
CHECKED:	DATED:			76D3484	
CURRENT REV. PSM	DATED: 6/15/99	SCALE:	FILE NAME:	X8INPMNO.SCH	00
RELEASED:	DATED:			SHEET: 1 OF 3	



REVISION RECORD			
LTR	ECO NO.	APPROVED:	DATE:



REVISION RECORD					
REV LEVEL	ASMBLY LEVEL	DATE	ECO	ENG.	DESCRIPTION
G	A	2/2/99	3162	PSM	- CHANGES FOR AUX DE-ZOOT AND MUTE CIRCUITS. - MUTE: R64: 22R1 TO NU, R71: 3K0 TO 274R, R217: 324R TO 475R - AUX DE-ZOOT: R221: 8K2 TO 4K99, R222: 100K TO 200K, R225: 4K99 TO 20K, R219: 3K0 TO 63K4, R220: 15K TO 33K2, R226: 499K TO 2M21, R227: 1M1 TO 2M21, R228: 1M1 TO 2M21, R229: 499K TO 2M21, R230: 63K4 TO 499K, R231: 200K TO 1M1, R232: 130K TO 1M1, R233: 499K TO 1M1
G	B	3/10/99	3218	PSM	- ADD 1M1 OHM RESISTOR (735-179) FROM THE OUTPUT OF C51 TO GROUND. THIS IS PROVIDING A DC RETURN FOR THE CAPACITOR WHICH ELIMINATES THE LARGE CLICK WHEN SWITCHING FROM PRE/POST AUX. THIS PART WILL BE TRACKED IN WITH REV 00. C51 IS THE AC COUPLING CAP FROM THE PRE DE-ZOOT STAGE (SHEET 2)
00	A	6/15/99	3435	PSM	- ADDED 47U/25 / 100K FOR INSERT SEND BUFFER OUTPUT (EQ CLICK) - ADDED 4K32 RESISTOR TO POS. INPUT OF U3A (MATCHES X-SERIES HPF) - ADDED 1M1 FOR C51 (AUX PRE DE-ZOOT) DC RETURN PATH. - ADDED PARALLEL RESISTOR FOR TRIMMING. (AUX PRE DE-ZOOT PATH) - INPUT METER: CHANGED FEEDS TO PRE OUTPUT CAPACITORS - ADDED EMITTER FOLLOWER FOR POST EQ CIRCUIT. (DIST REDUCTION) - ADDED C65 & C70 TO DGND-2 FOR SAFE/PREVIEW LED. - ADDED RC TO MUTE CONTROL CIRCUIT. (R122 AND C86) - ADDED RC FOR SOLO CONTROL CIRCUIT. (R121, C79, C84)
00	A	6/21/99	3458	PSM	- CORRECT R12 OF EQ. SHOULD BE NU - CHANGE R30-31 FROM 10K0 TO 0R. CHANGE R20, R29 FROM 0R TO 1010R (MAKES COMPATIBLE WITH REV 01 GROUPS AND REV 00 MASTERS)
00	A	6/30/99	3490	PSM	- MUTE TRIMS. R64: NU TO 324R, R216: 143R TO 324R - AUX DE-ZOOT TRIMS. R68: 20K TO 130K, R225: 20K TO 23K7, R232: 1M1 TO 499K, R233: 1M1 TO 2M21, R220: 33K2 TO 20K, R219: 63K4 TO NU.
00	A	4/13/00	3874	JRP	ADD BRACKETS BACK INTO BOM. BRKT2,3 CHANGE FROM NU TO USED
00	B	5/24/00	3916	SLAV	CHANGE R49, R61 FROM 475R TO 221R (MIC-PRE DIST AT LOW POWER SUPPLY VOLTAGE).
00	C	8/30/00	4027	SLAV	- MUTE TRIMS. R64: 324R TO 750R; R216: 324R TO 143R; R71: 274R TO 100R0; R217: 475R TO NU.



COMPANY: **CREST AUDIO**

TITLE: **X8 MONO INPUT MAIN - 8 BUS**

ORG DRAWN: RI/PSM	DATED: 5/8/97	CODE: D	SIZE: D	DRAWING NO: 76D3484	REV: 00
CHECKED: PSM	DATED: 6/15/99			FILE NAME: X8INPMNO.SCH	
CUR REV DRAWN: PSM	DATED: 6/15/99	SCALE:		SHEET: 3 OF 3	

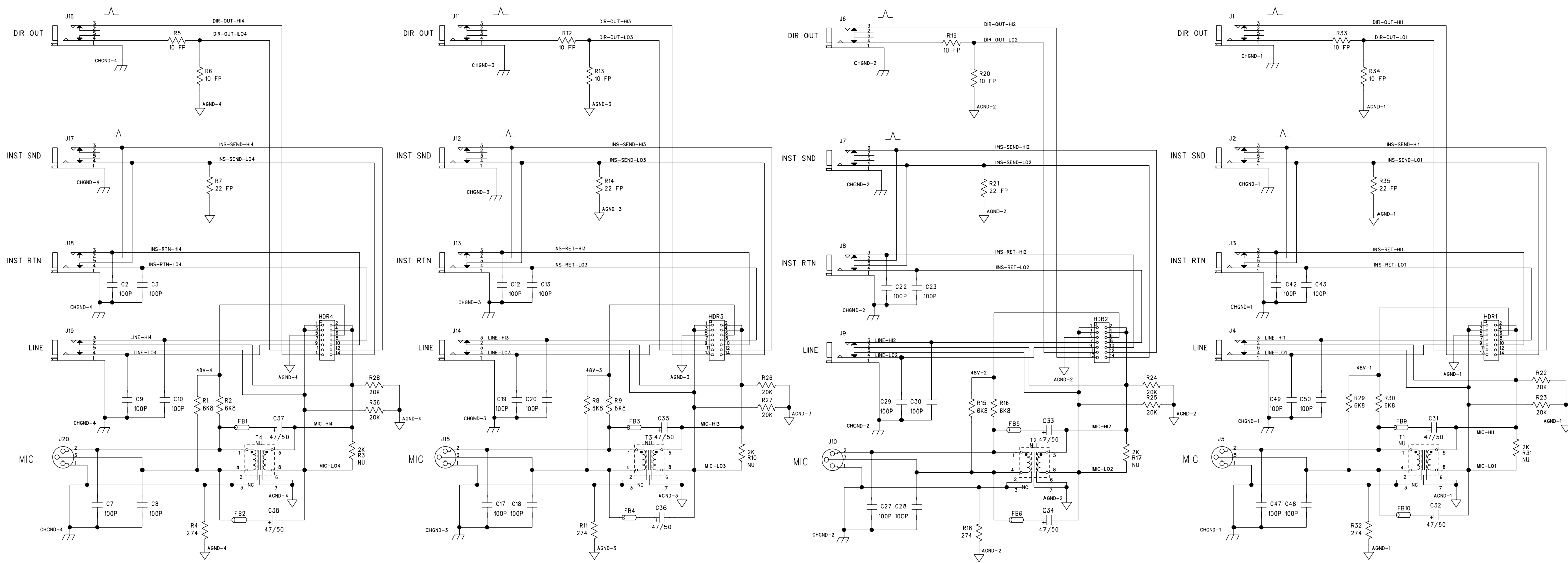
REVISION RECORD			
LTR	ECO NO.	APPROVED:	DATE:

CHANNEL 4

CHANNEL 3

CHANNEL 2

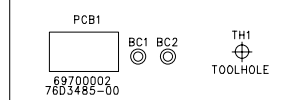
CHANNEL 1



REVISION RECORD

REV LEVEL	ASMBLY LEVEL	DATE	ECO	ENG.	DESCRIPTION
00	A	6/28/99	3374	PSM	- CHANGED ALL 1/4" JACKS TO SWITCHCRAFT TRS-11J1393 (PEAVY STANDARD)

MECHANICAL PARTS

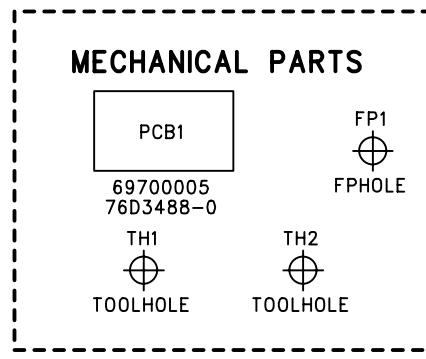
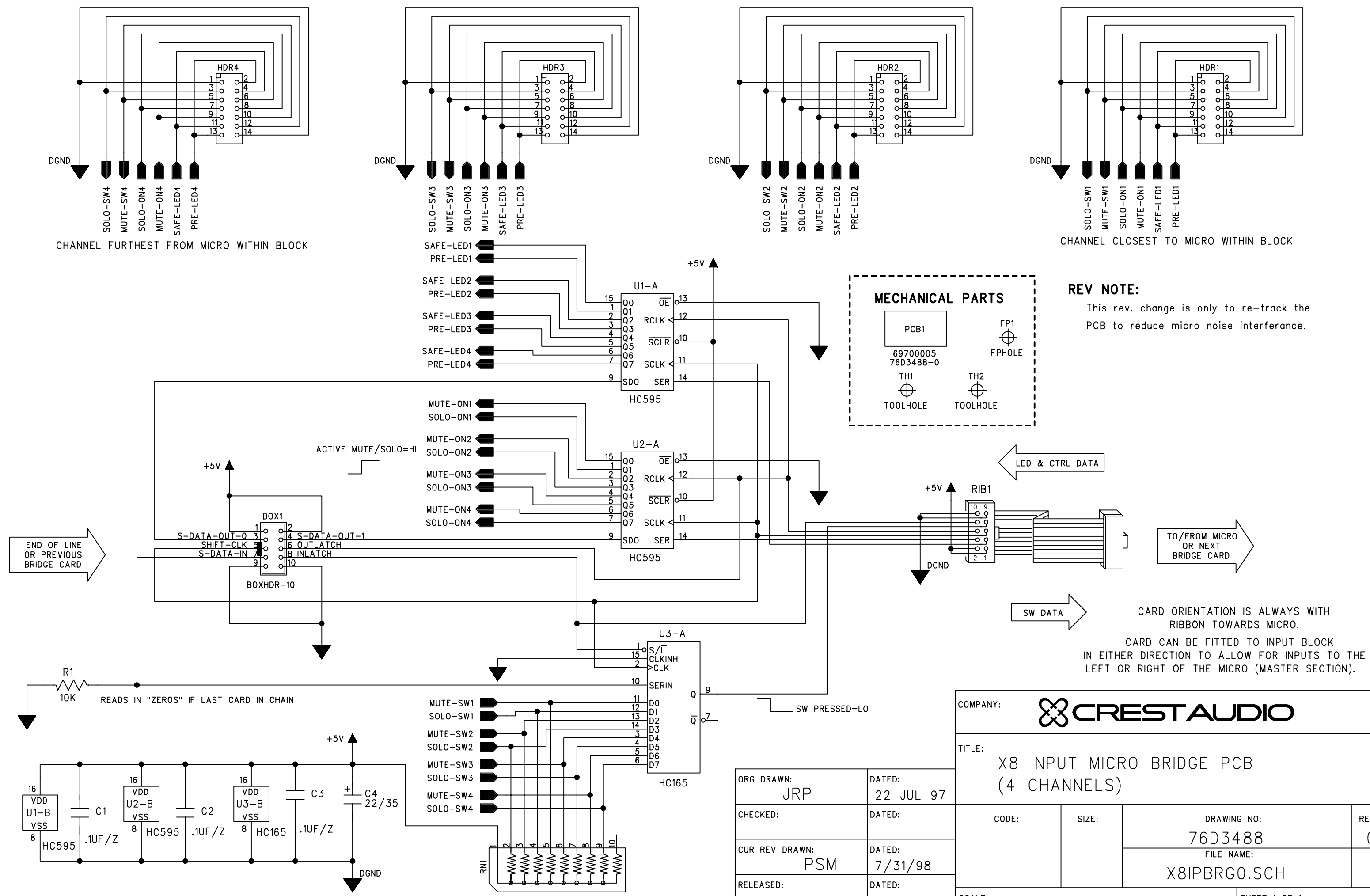


COMPANY: CREST AUDIO

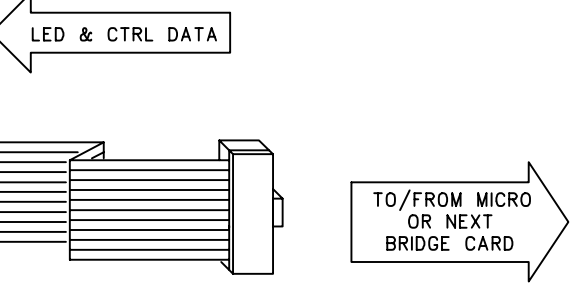
TITLE: X8 MONO INPUT CONNECTOR CARD

ORG DRAWN: RI/JRP	DATED: 19 NOV 97
CHECKED:	DATED:
CUR REV DRAWN: PSM	DATED: 6/28/99
RELEASED:	DATED:

CODE:	SIZE: D	DRAWING NO: 76D3485	REV: 00
SCALE:		FILE NAME: X8IPMNC0.SCH	SHEET: 1 OF 1



REV NOTE:
 This rev. change is only to re-track the PCB to reduce micro noise interference.



CARD ORIENTATION IS ALWAYS WITH RIBBON TOWARDS MICRO.
 CARD CAN BE FITTED TO INPUT BLOCK IN EITHER DIRECTION TO ALLOW FOR INPUTS TO THE LEFT OR RIGHT OF THE MICRO (MASTER SECTION).

COMPANY: **CREST AUDIO**

TITLE: **X8 INPUT MICRO BRIDGE PCB (4 CHANNELS)**

ORG DRAWN: JRP	DATED: 22 JUL 97
CHECKED:	DATED:
CUR REV DRAWN: PSM	DATED: 7/31/98
RELEASED:	DATED:

CODE:	SIZE:	DRAWING NO: 76D3488	REV: 0
SCALE:		FILE NAME: X8IPBRG0.SCH	
SHEET 1 OF 1			

6

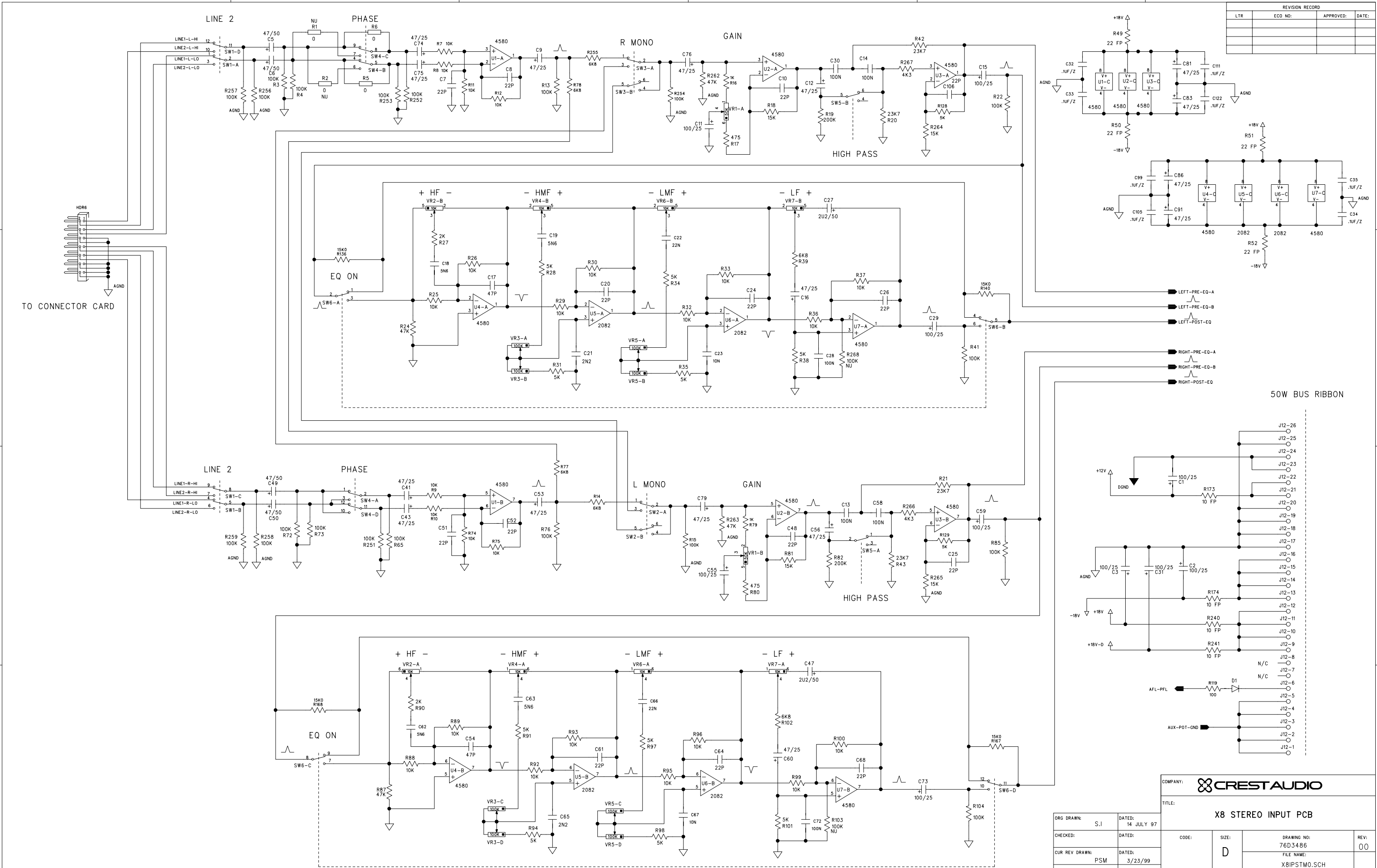
5

4

3

2

REVISION RECORD			
LTR	ECO NO:	APPROVED:	DATE:



COMPANY: **CREST AUDIO**

TITLE: **X8 STEREO INPUT PCB**

ORG DRAWN: S.I	DATED: 14 JULY 97	CODE: D	SIZE: D	DRAWING NO: 76D3486	REV: 00
CHECKED: PSM	DATED: 3/23/99			FILE NAME: X8IPSTM0.SCH	
CUR REV DRAWN: PSM	DATED: 3/23/99				
RELEASED: PSM	DATED: 3/23/99				

6

5

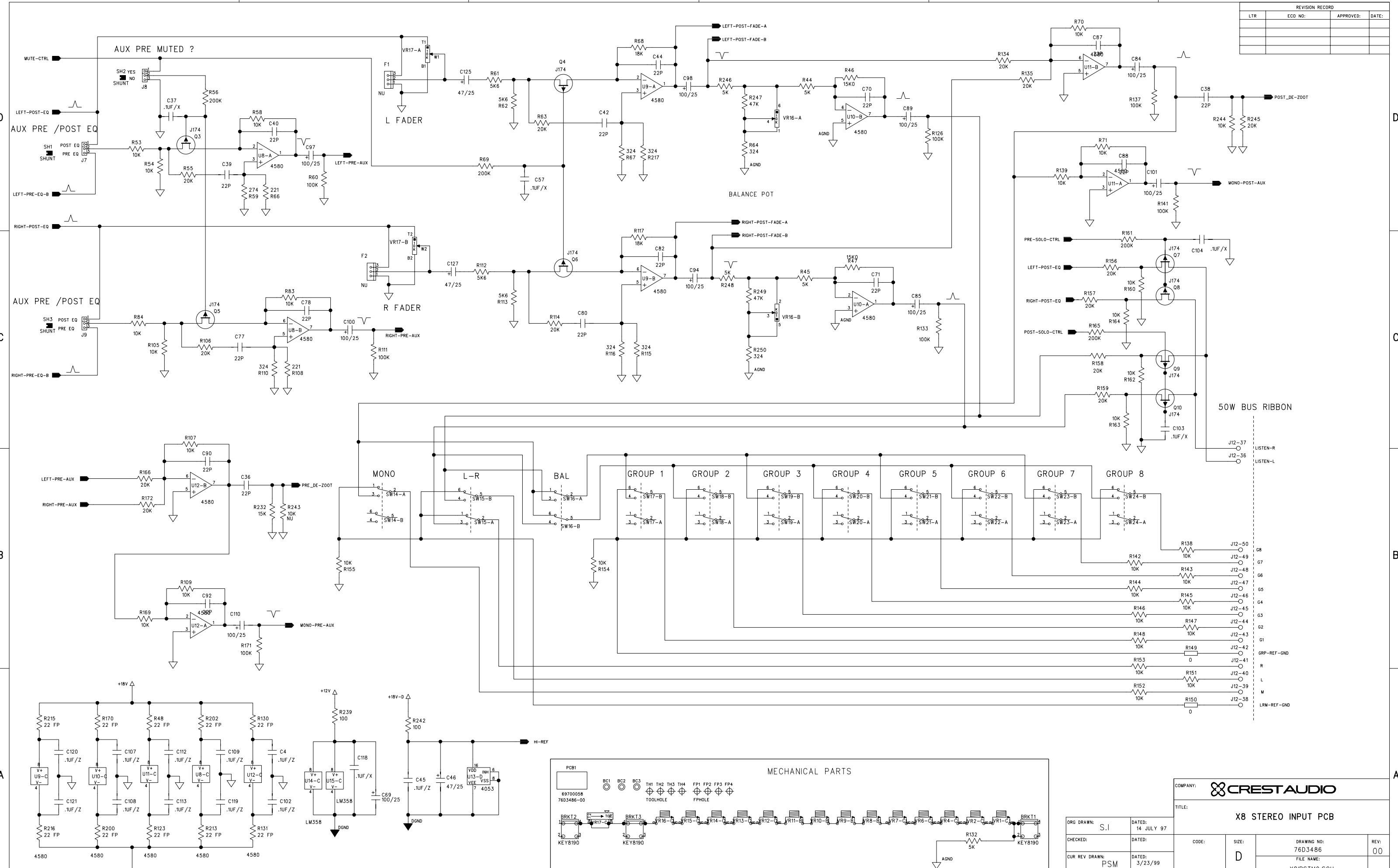
4

3

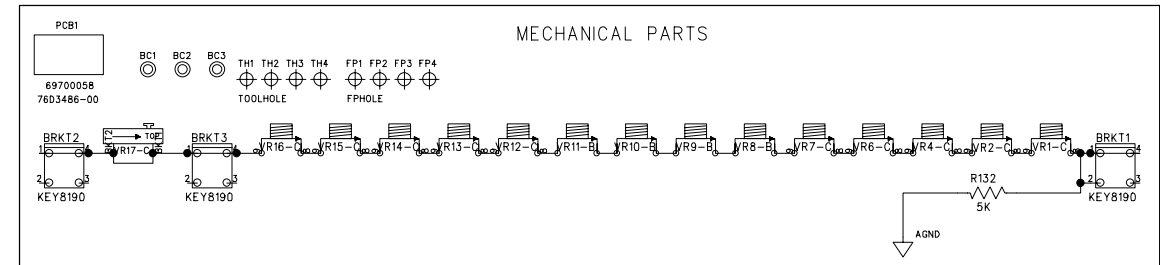
2

1

REVISION RECORD			
LTR	ECO NO:	APPROVED:	DATE:



COMPANY: CREST AUDIO		TITLE: X8 STEREO INPUT PCB	
ORG DRAWN: S.I	DATED: 14 JULY 97	CODE:	SIZE: D
CHECKED:	DATED:	DRAWING NO: 76D3486	REV: 00
CUR REV DRAWN: PSM	DATED: 3/23/99	FILE NAME: X8IPSTMO.SCH	
RELEASED:	DATED:	SCALE:	SHEET: 2 OF 4



A

A

B

B

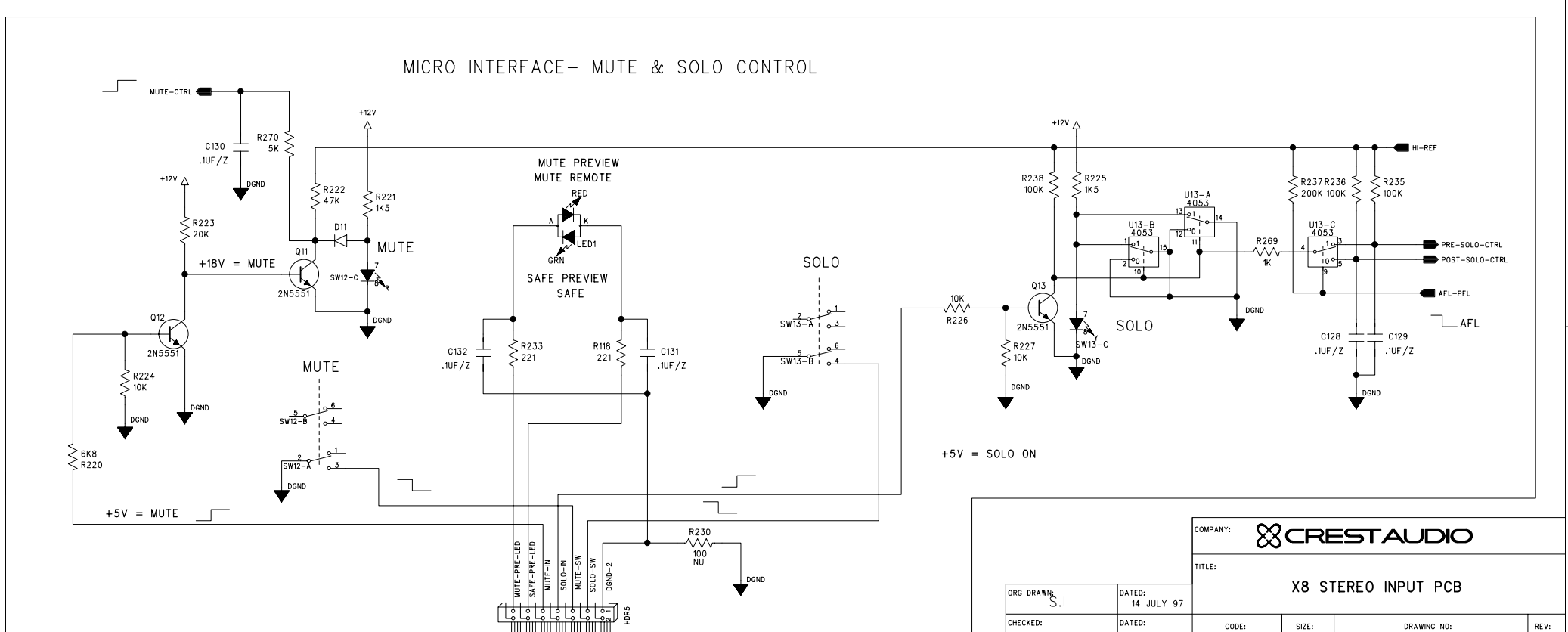
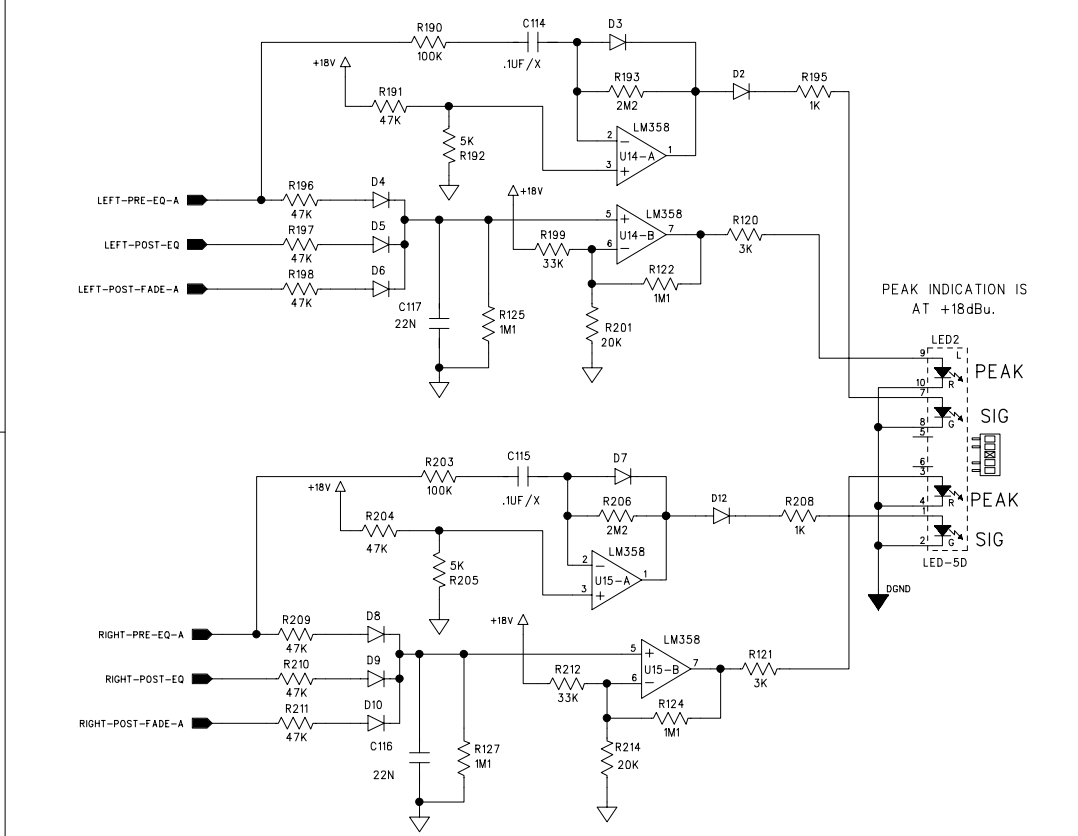
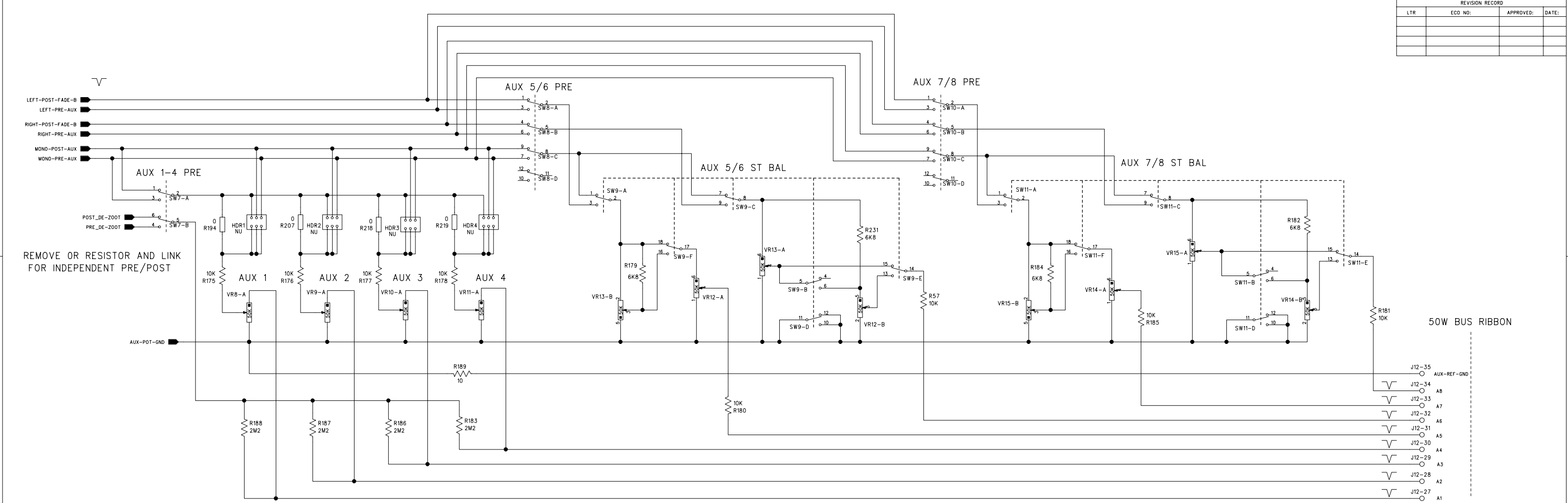
C

C

D

D

REVISION RECORD			
LTR	ECO NO:	APPROVED:	DATE:



COMPANY: CRESTAUDIO	
TITLE: X8 STEREO INPUT PCB	
ORG DRAWN: S.I	DATED: 14 JULY 97
CHECKED: PSM	DATED: 3/23/99
CUR REV DRAWN: PSM	DATED: 3/23/99
RELEASED:	DATED:
SCALE:	SHEET: 3 OF 4

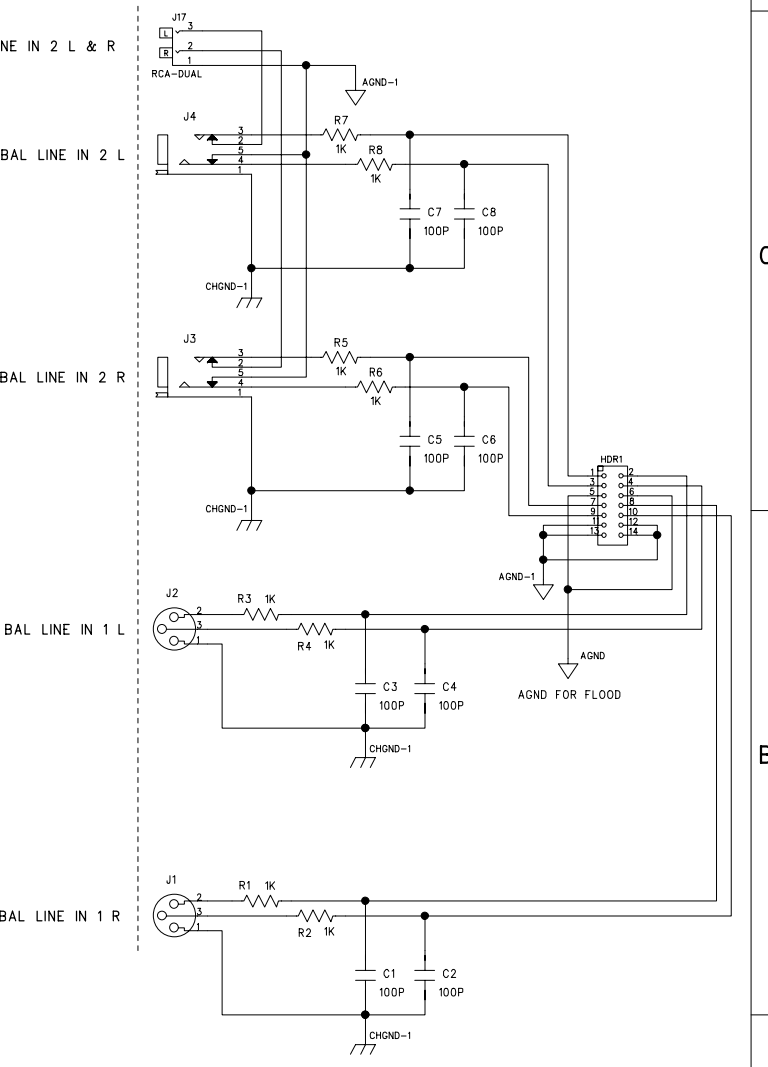
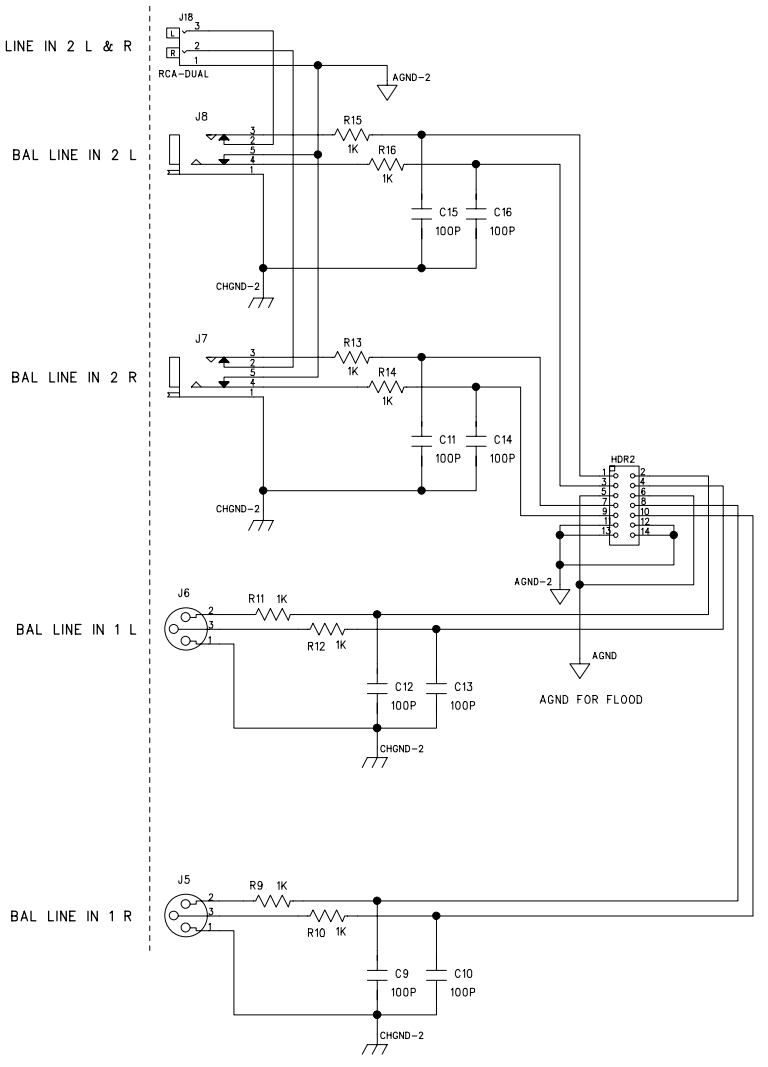
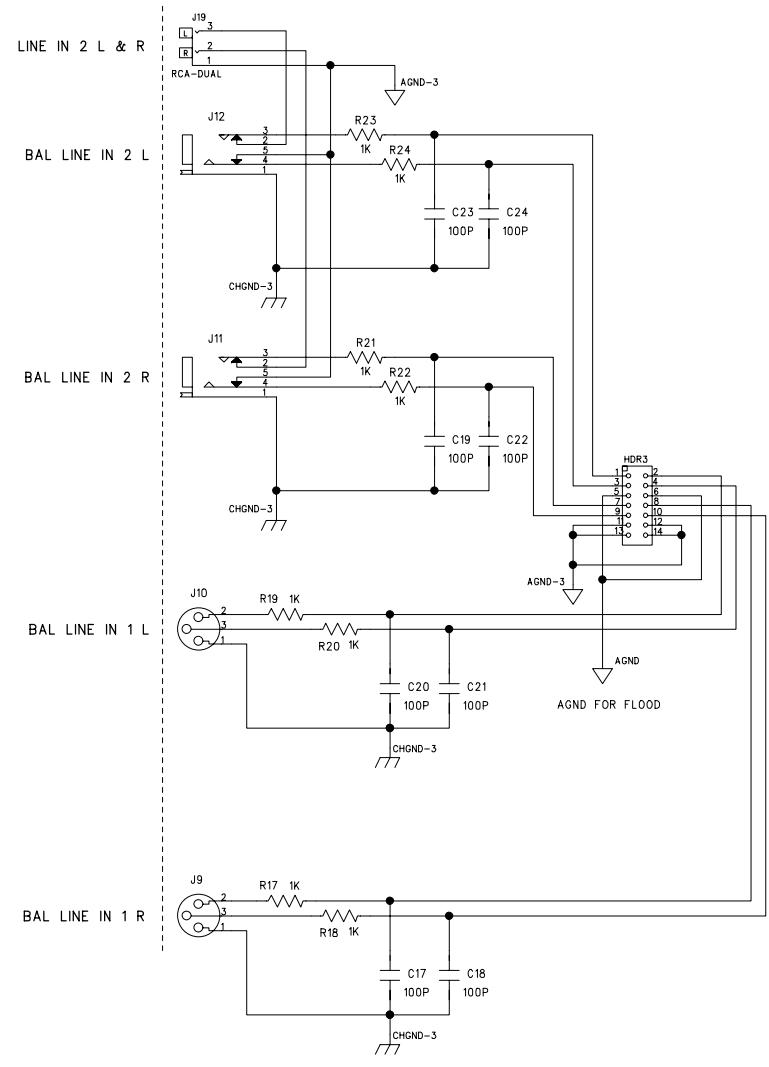
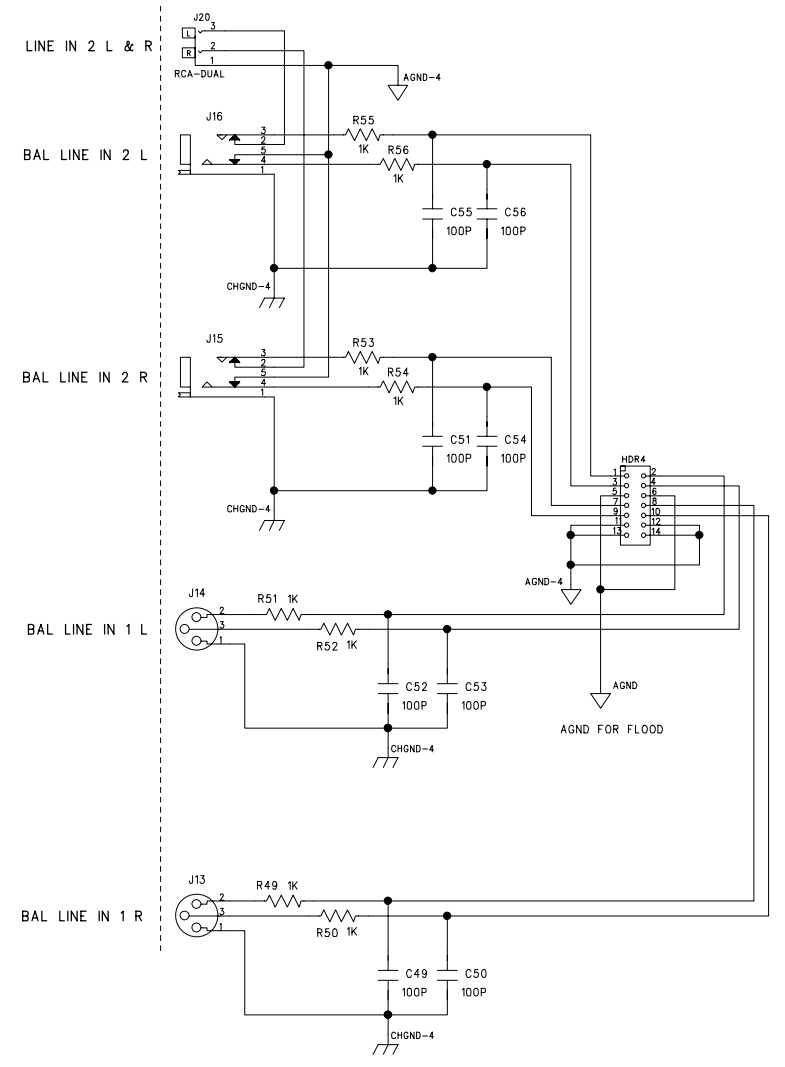
REVISION RECORD			
LTR	ECO NO.	APPROVED:	DATE:

MODULE 4

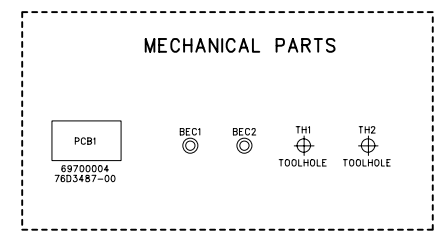
MODULE 3

MODULE 2

MODULE 1



REVISION RECORD					
REV LEVEL	ASMBLY LEVEL	DATE	ECO	ENG.	DESCRIPTION
00	A	5/28/99	3374	PSM	- REPLACING ALL 1/4" CONNECTORS WITH SWITCHCRAFT TRS-11J1393.



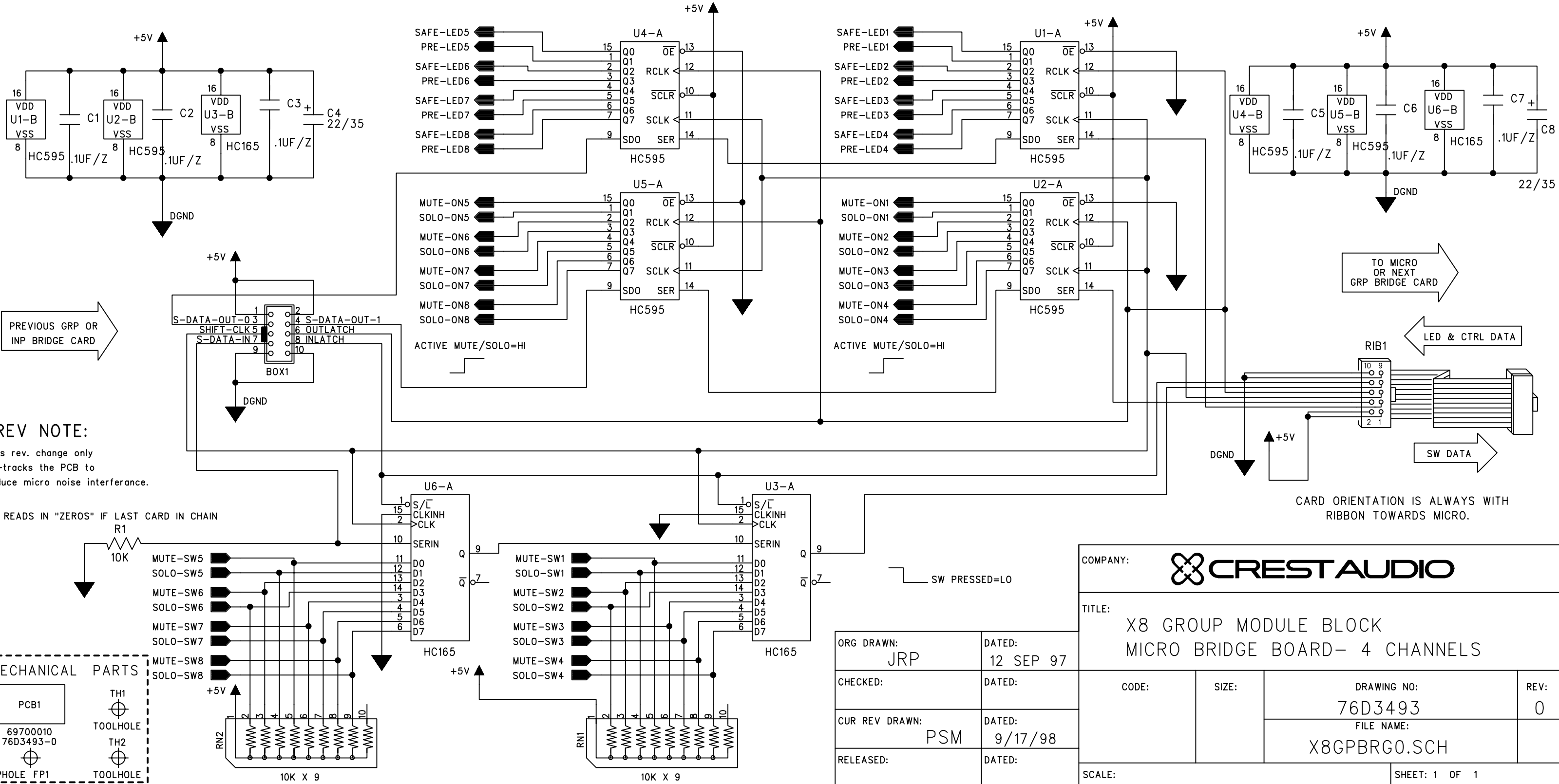
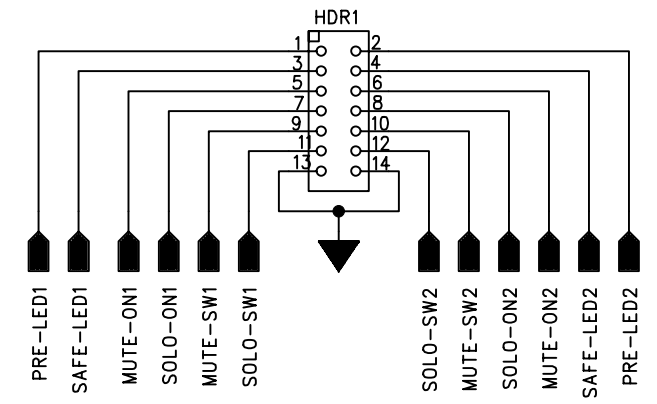
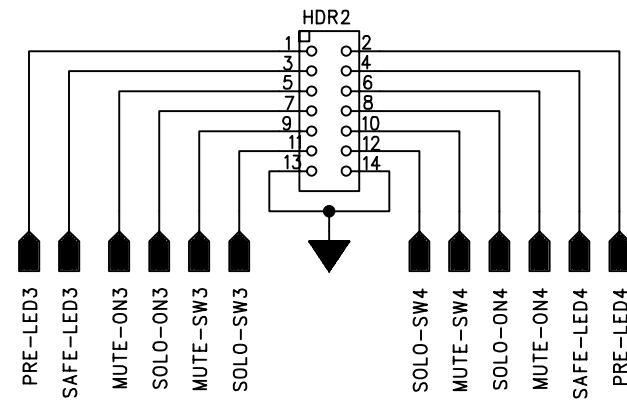
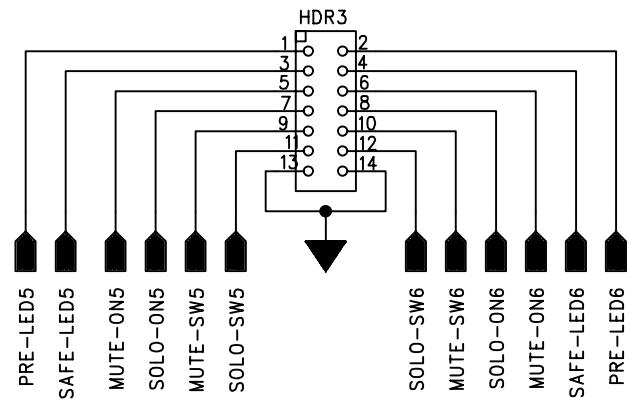
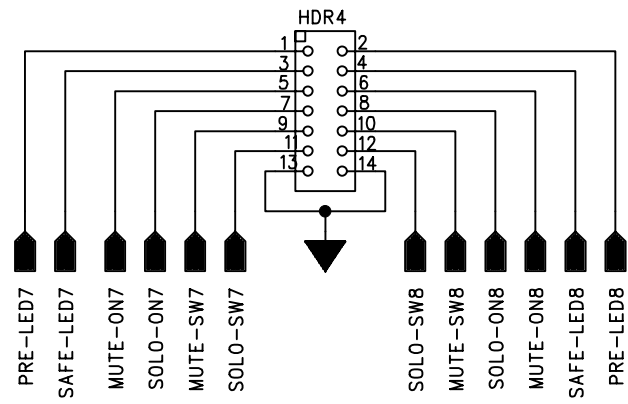
COMPANY: **CREST AUDIO**

TITLE: **X8 STEREO INPUT CONNECTOR PCB**

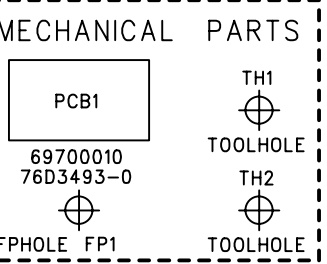
ORG DRAWN: PSM	DATED: 9/97	CODE: D	SIZE: D	DRAWING NO: 76D3487	REV: 00
CHECKED:	DATED:			FILE NAME: X8IPSTCO.SCH	
CUR REV DRAWN: PSM	DATED: 5/28/99	SCALE:		SHEET: 1 OF 1	
RELEASED:	DATED:				

CHANNEL FURTHEST FROM MICRO WITHIN BLOCK

CHANNEL CLOSEST TO MICRO WITHIN BLOCK



REV NOTE:
This rev. change only re-tracks the PCB to reduce micro noise interference.



ORG DRAWN: JRP	DATED: 12 SEP 97
CHECKED:	DATED:
CUR REV DRAWN: PSM	DATED: 9/17/98
RELEASED:	DATED:

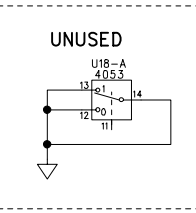
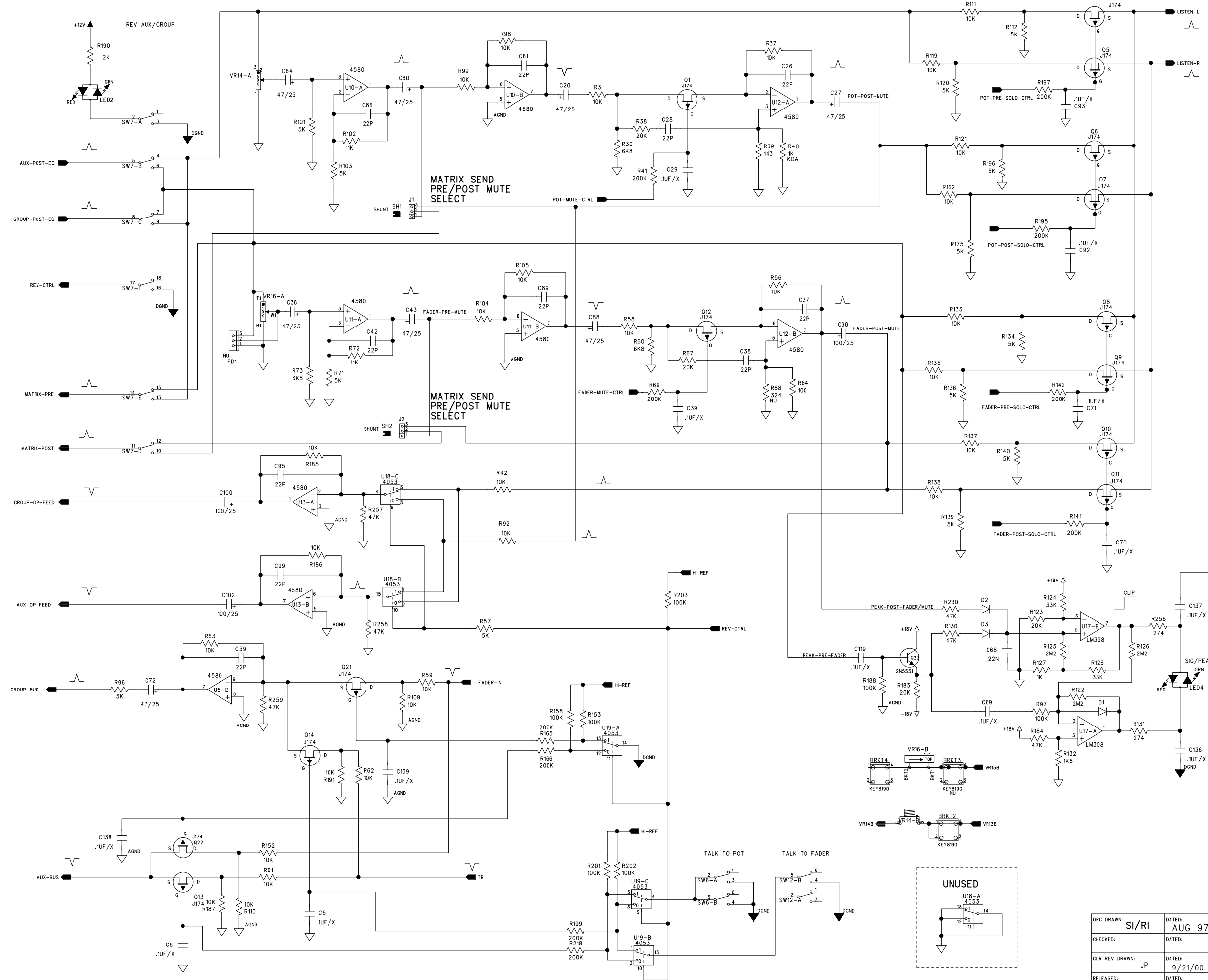
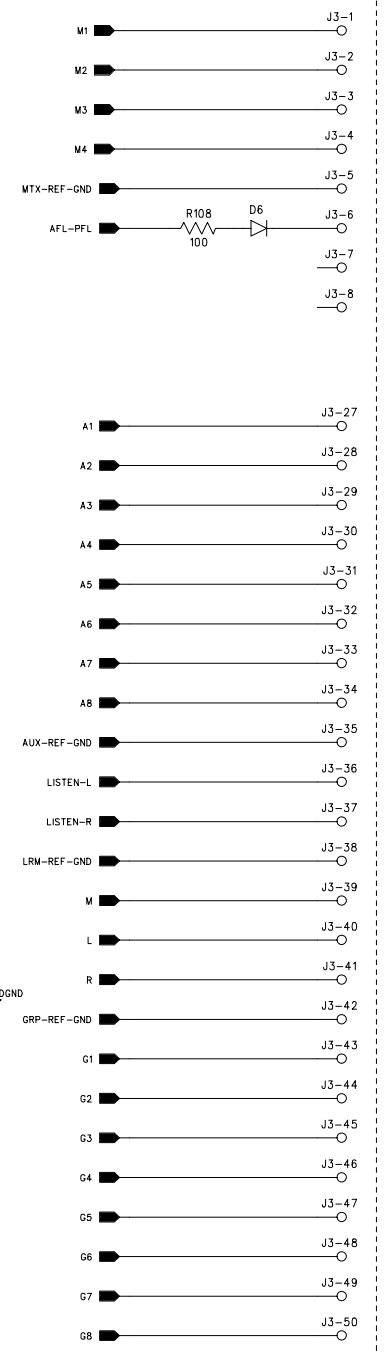
COMPANY: **CREST AUDIO**

TITLE: **X8 GROUP MODULE BLOCK
MICRO BRIDGE BOARD- 4 CHANNELS**

CODE:	SIZE:	DRAWING NO: 76D3493	REV: 0
SCALE:		FILE NAME: X8GPBRG0.SCH	
SHEET: 1 OF 1			

REVISION RECORD			
LTR	ECO NO.	APPROVED:	DATE:

50W BUSS RIBBON



COMPANY: **CREST AUDIO**

TITLE: **X8 HS GROUP MAIN**

ORG DRAWN: SI/RI	DATED: AUG 97	DRAWING NO: 76D3491	REV: 02
CHECKED:	DATED:		
CUR REV DRAWN: JP	DATED: 9/21/00	FILE NAME: X8GPHSM2.SCH	SCALE:
RELEASED:	DATED:	SHEET: 2 OF 4	

D

C

B

A

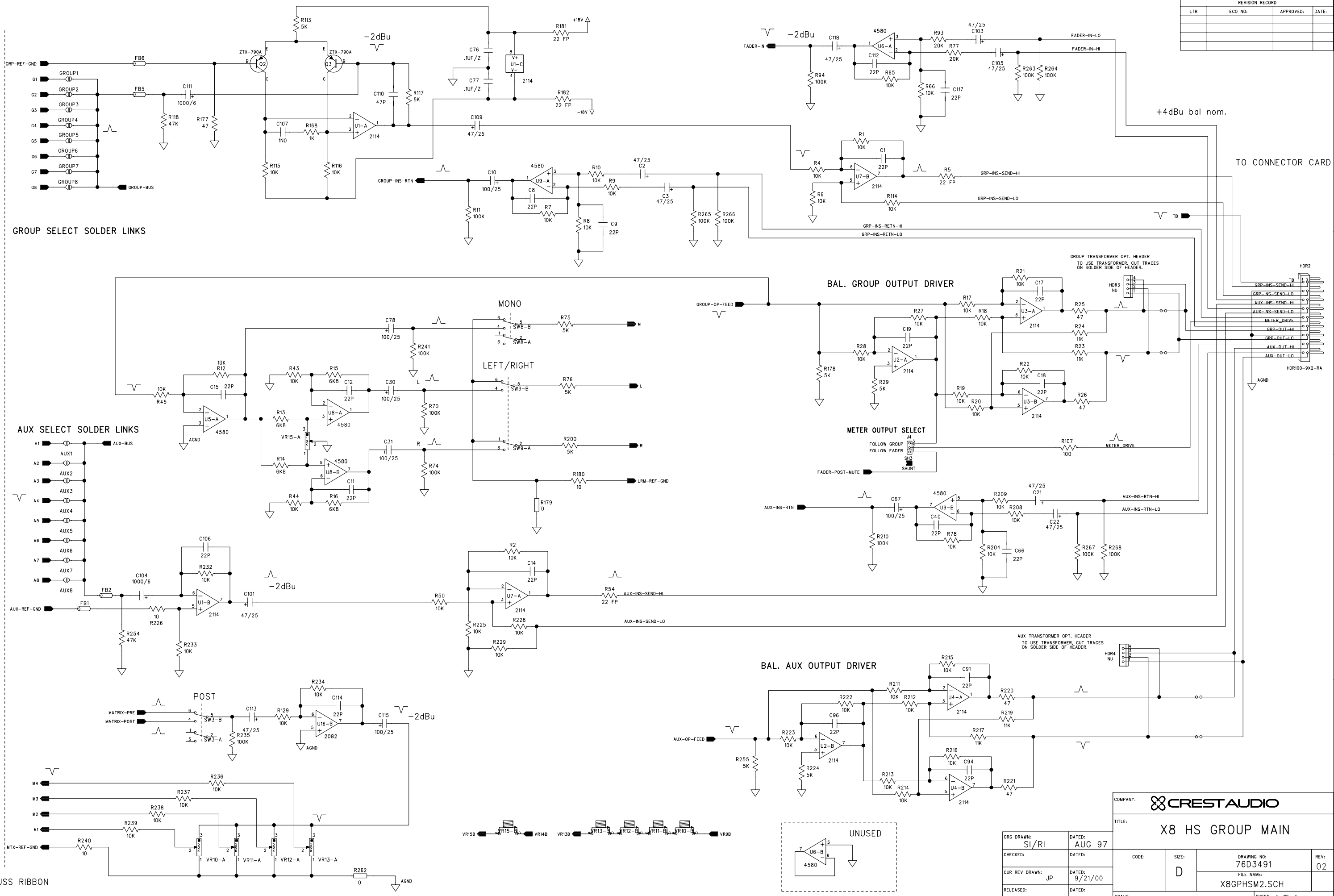
D

C

B

A

REVISION RECORD			
LTR	ECO NO.	APPROVED:	DATE:

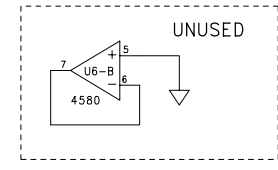


COMPANY: **CREST AUDIO**

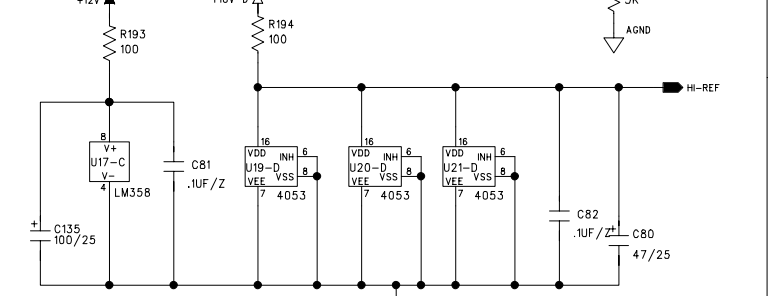
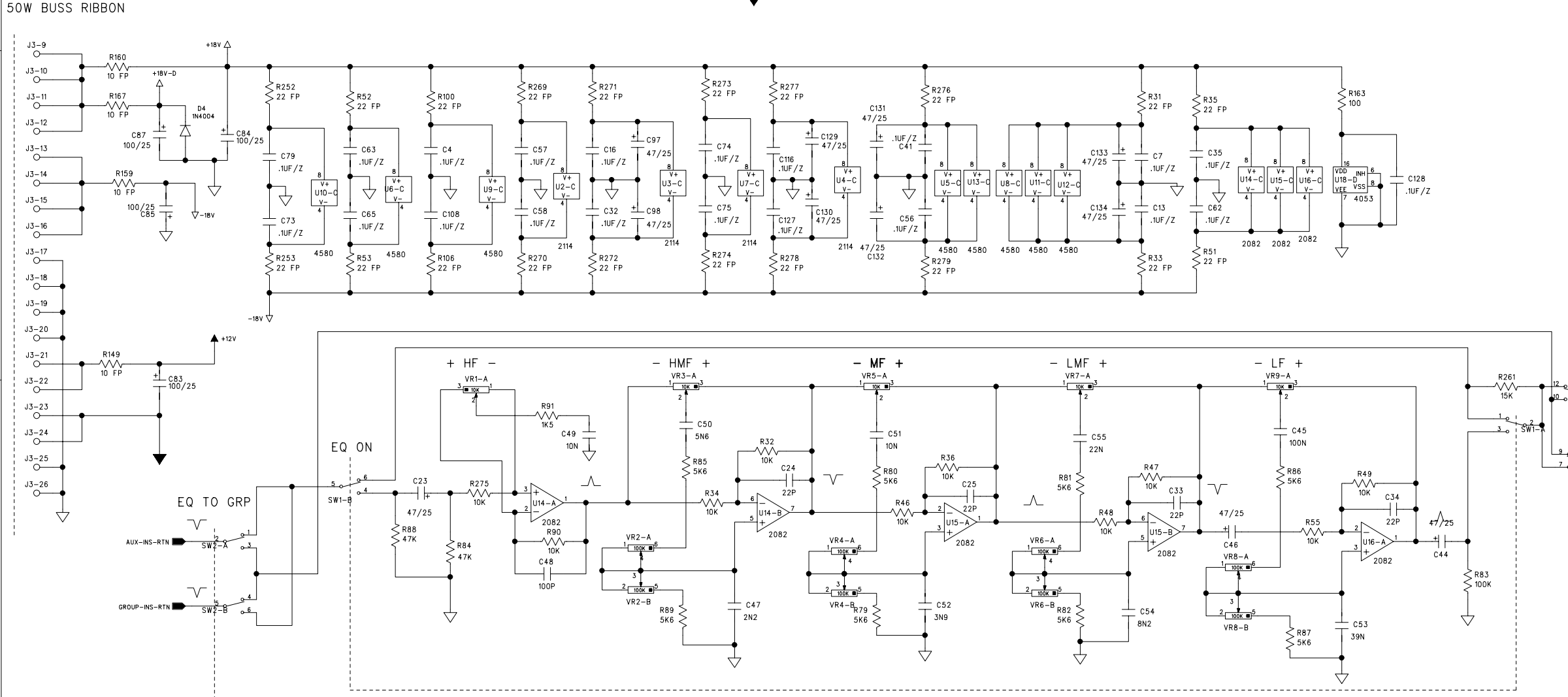
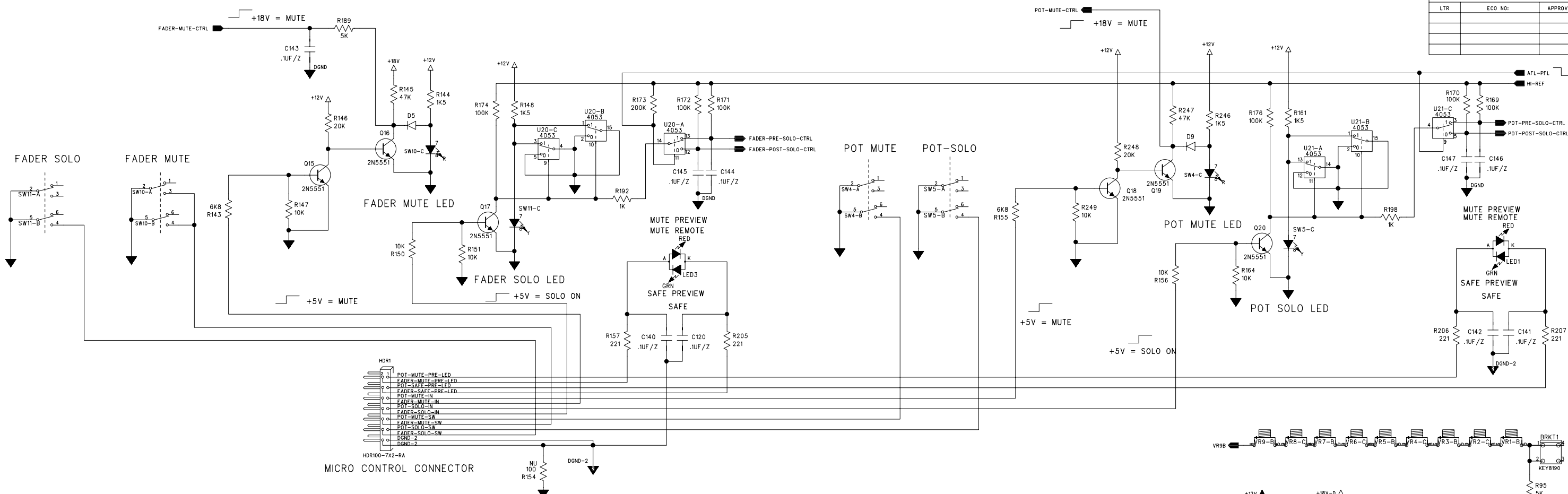
TITLE: **X8 HS GROUP MAIN**

ORG DRAWN: SI/RI	DATED: AUG 97	CODE: D	SIZE: D	DRAWING NO: 76D3491	REV: 02
CHECKED: JP	DATED: 9/21/00			FILE NAME: X8GPHSM2.SCH	
CUR REV DRAWN: JP	DATED:	SCALE:			
RELEASED:	DATED:				

SHEET: 1 OF 4



REVISION RECORD			
LTR	ECO NO.	APPROVED:	DATE:



MECHANICAL PARTS					
PCB1	TH1	TH2	TH3	TH4	FP6
69700062	TOOLHOLE	TOOLHOLE	TOOLHOLE	TOOLHOLE	FPHOLE
76D3491-01	FP1	FP2	FP3	FP4	FP5
BEC3	FPHOLE	FPHOLE	FPHOLE	FPHOLE	FPHOLE
BEC1					
BEC2					

COMPANY: CREST AUDIO		TITLE: X8 HS GROUP MAIN			
ORG DRAWN: SI/RI	DATED: AUG 97	CODE:	SIZE: D	DRAWING NO: 76D3491	REV: 02
CHECKED:	DATED:			FILE NAME: X8GPHSM2.SCH	
CUR REV DRAWN: JP	DATED: 9/21/00				
RELEASED:	DATED:				
SCALE:		SHEET: 3 OF 4			

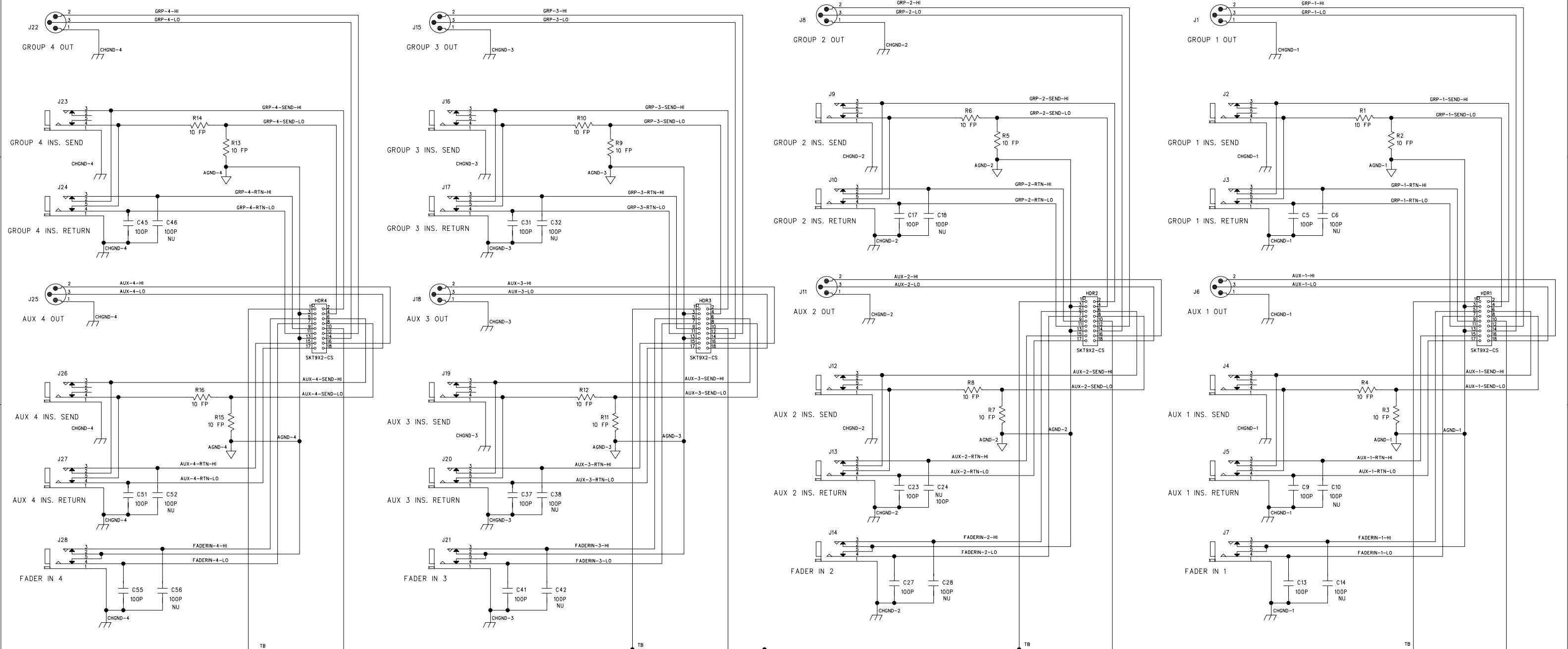
REVISION RECORD			
LTR	ECO NO.	APPROVED:	DATE:

MODULE 4

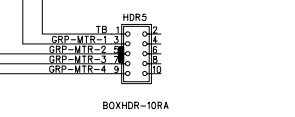
MODULE 3

MODULE 2

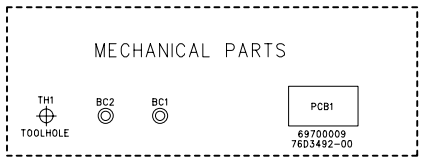
MODULE 1



REVISION RECORD					
REV LEVEL	ASMBLY LEVEL	DATE	ECO	ENG.	DESCRIPTION
C	B	10/30/98	3112	PSM	- CHANGED ALL RESISTORS FROM 22R-FP TO 10R-FP - FOR PSEUDO-BALANCED CIRCUITS- MUST MATCH IMPEDANCES ON EACH LEG. ALSO ELIMINATED XFORMER TIE-IN POINTS (JMPS) ON BALANCED LEGS.
00	A	6/8/99	3374	PSM	- CHANGED ALL 1/4" JACKS FROM REAN M505-45G - SWITCHCRAFT TRS-11J1393



TO GROUP CONN 5-8



DRAWN:	PSM	DATED:	12/18/97
CHECKED:		DATED:	
CUR. REV. DRAWN:	JRP	DATED:	6/2/99
RELEASED:		DATED:	

COMPANY: **CREST AUDIO**

TITLE: **X8 GROUP-HS 1-4 CONN**

CODE:	SIZE:	DRAWING NO:	REV:
		76D3492	00
		FILENAME:	
		X8G1HSCO.SCH	

SCALE: SHEET: 1 OF 1

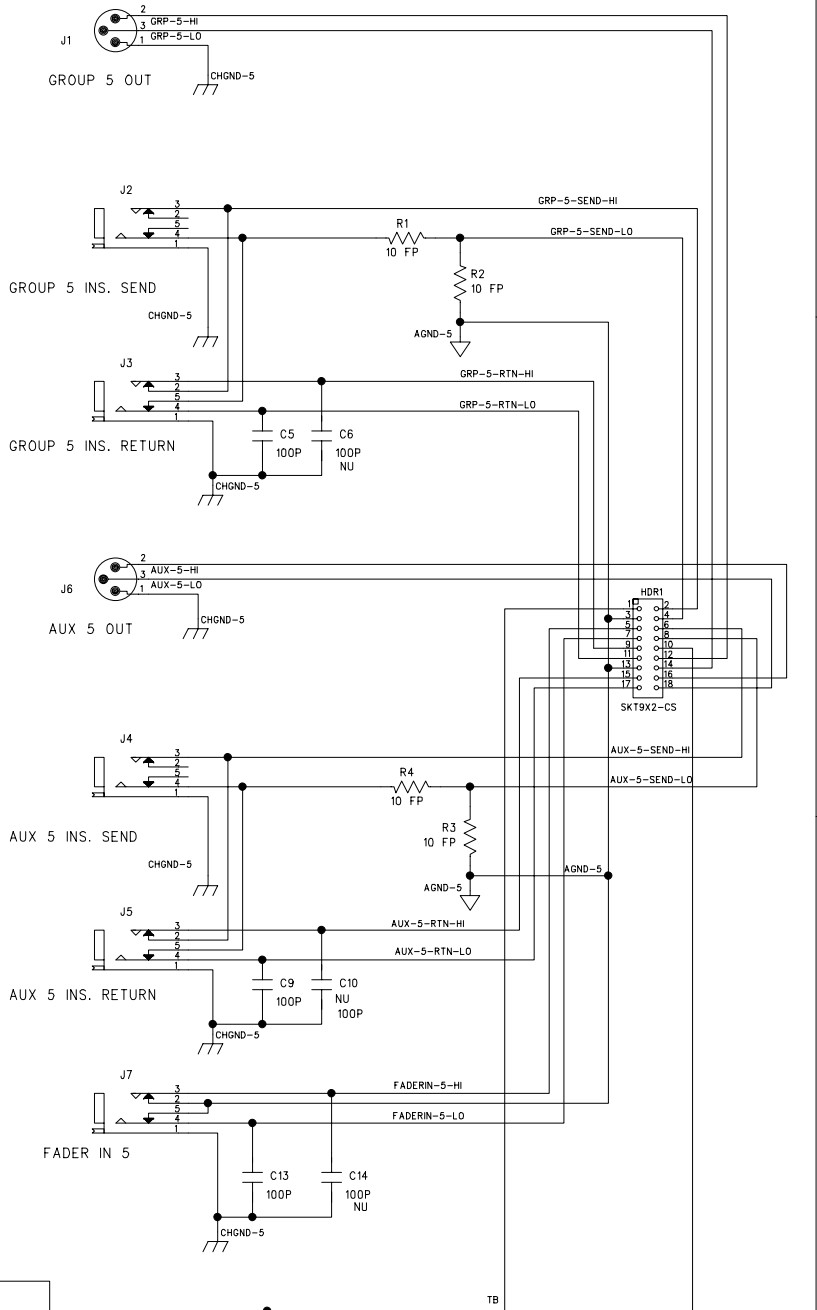
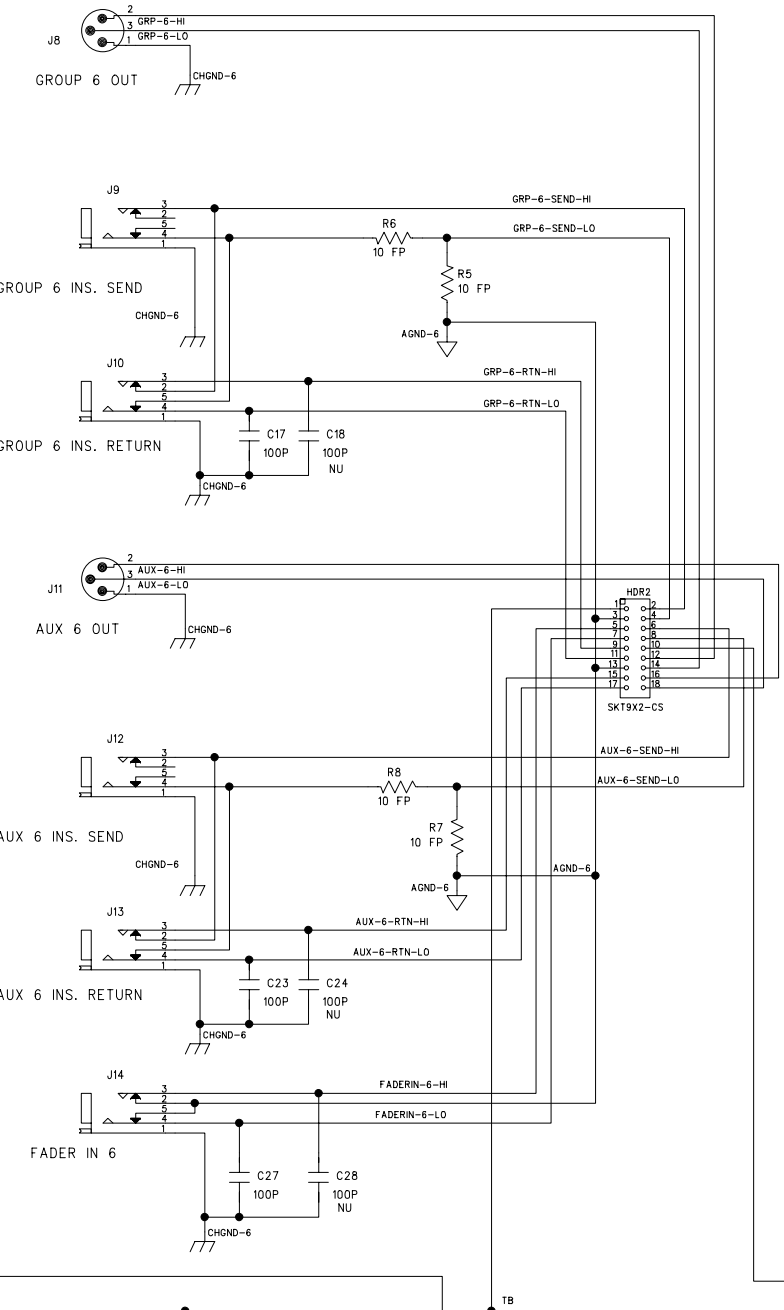
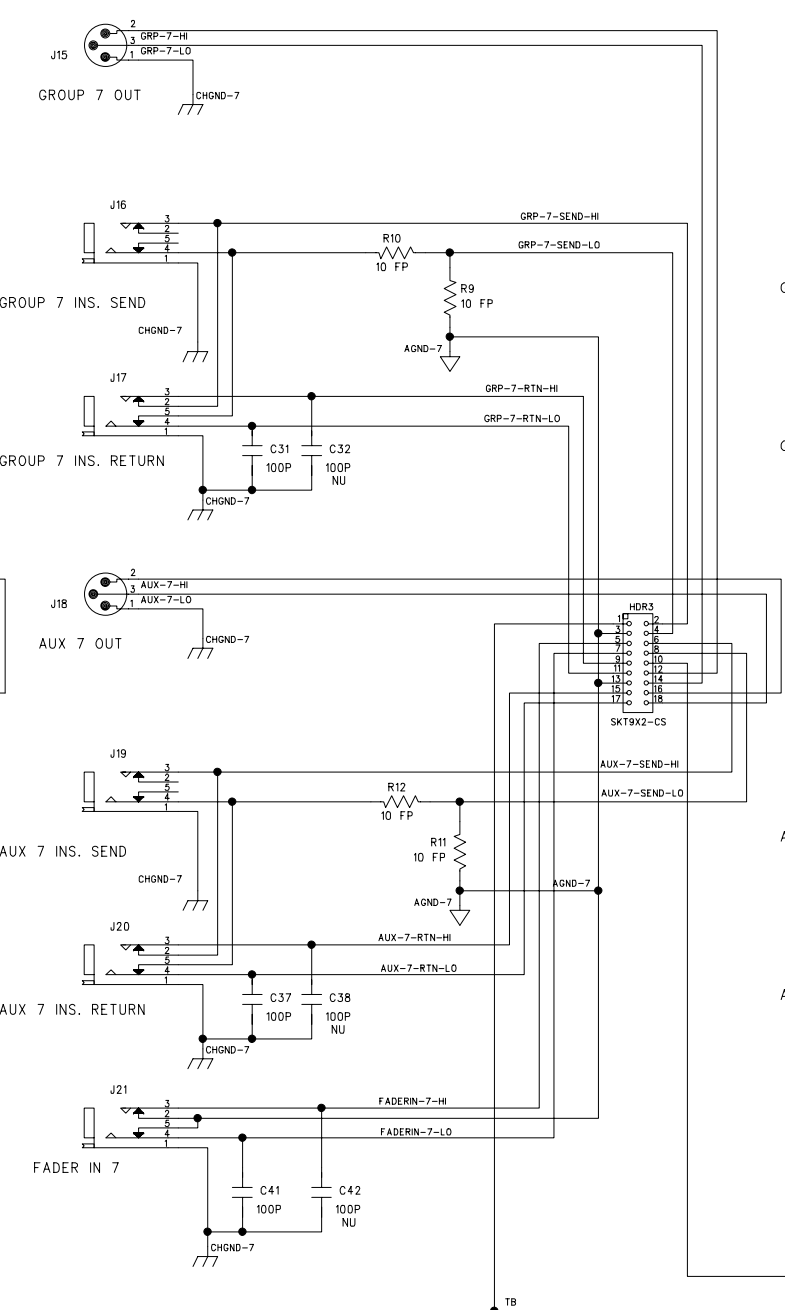
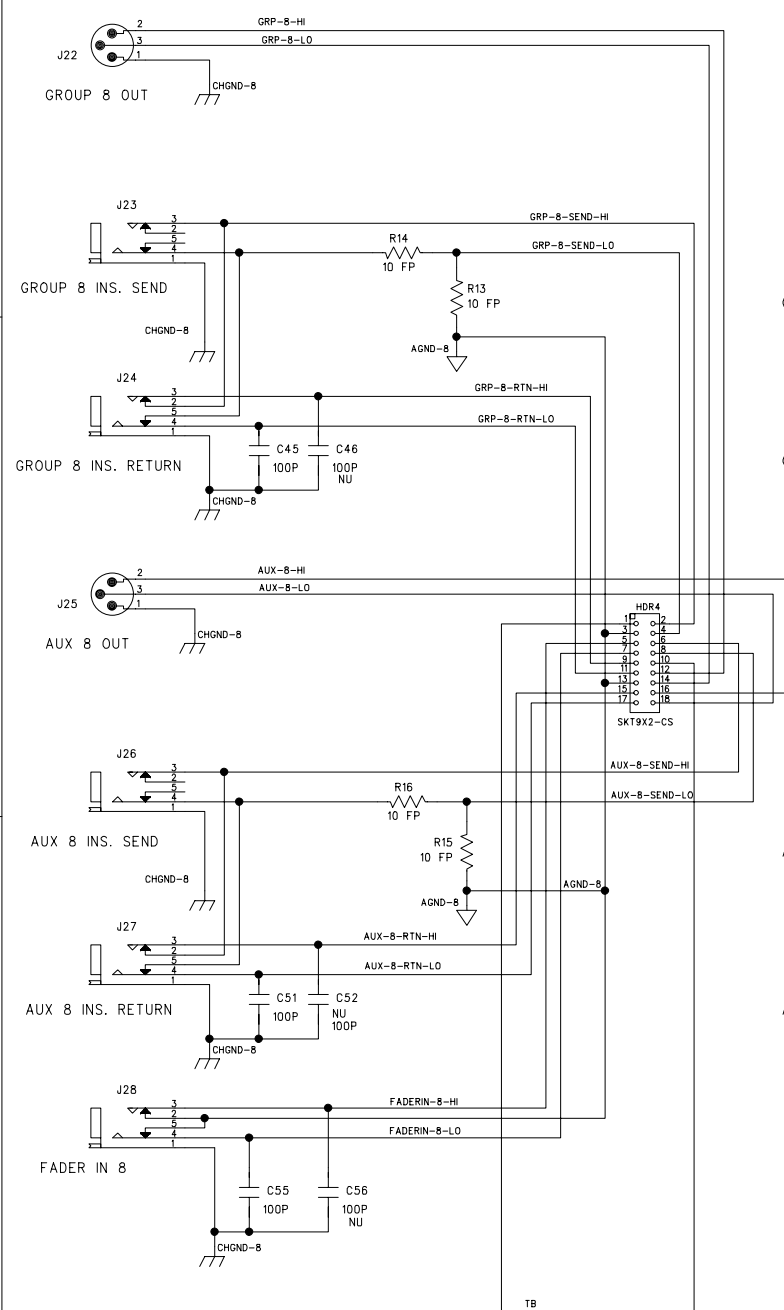
REVISION RECORD			
LTR	ECO NO.	APPROVED	DATE

MODULE 8

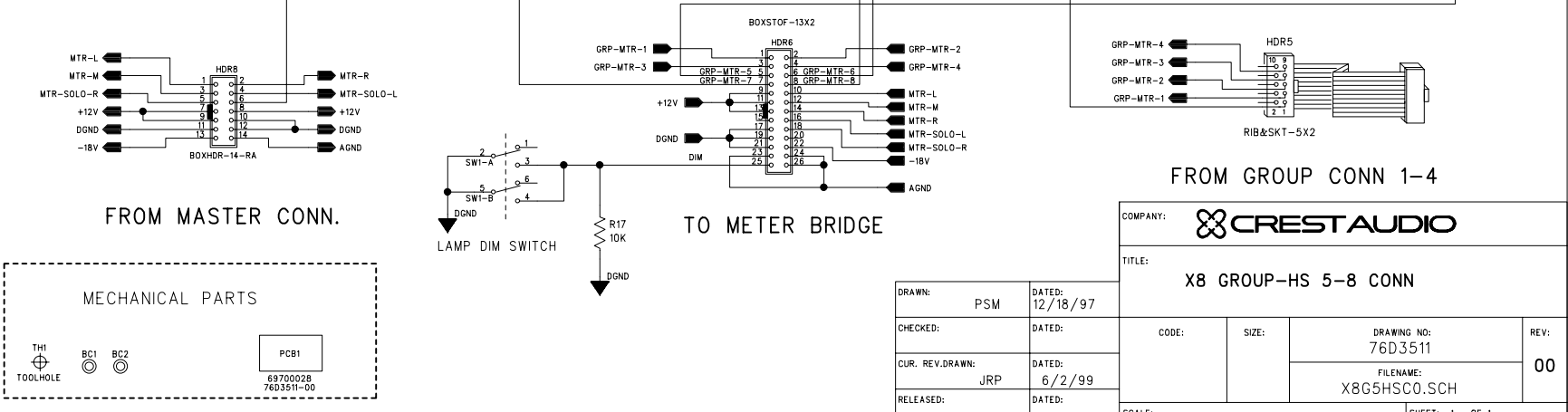
MODULE 7

MODULE 6

MODULE 5



REVISION RECORD					
REV LEVEL	ASMBLY LEVEL	DATE	ECO	ENG.	DESCRIPTION
C	B	10/30/98	3112	PSM	- CHANGED ALL RESISTORS FROM 22R-FP TO 10R-FP - FOR PSEUDO-BALANCED CIRCUITS- MUST MATCH IMPEDANCES ON EACH LEG. - ALSO ELIMINATED XFORMER TIE-IN POINTS (JMPS) ON BALANCED LEGS.
00	A	6/8/99	3374	PSM	- CHANGED ALL 1/4" JACKS FROM REAN M505-45G - SWITCHCRAFT TRS-11J1395

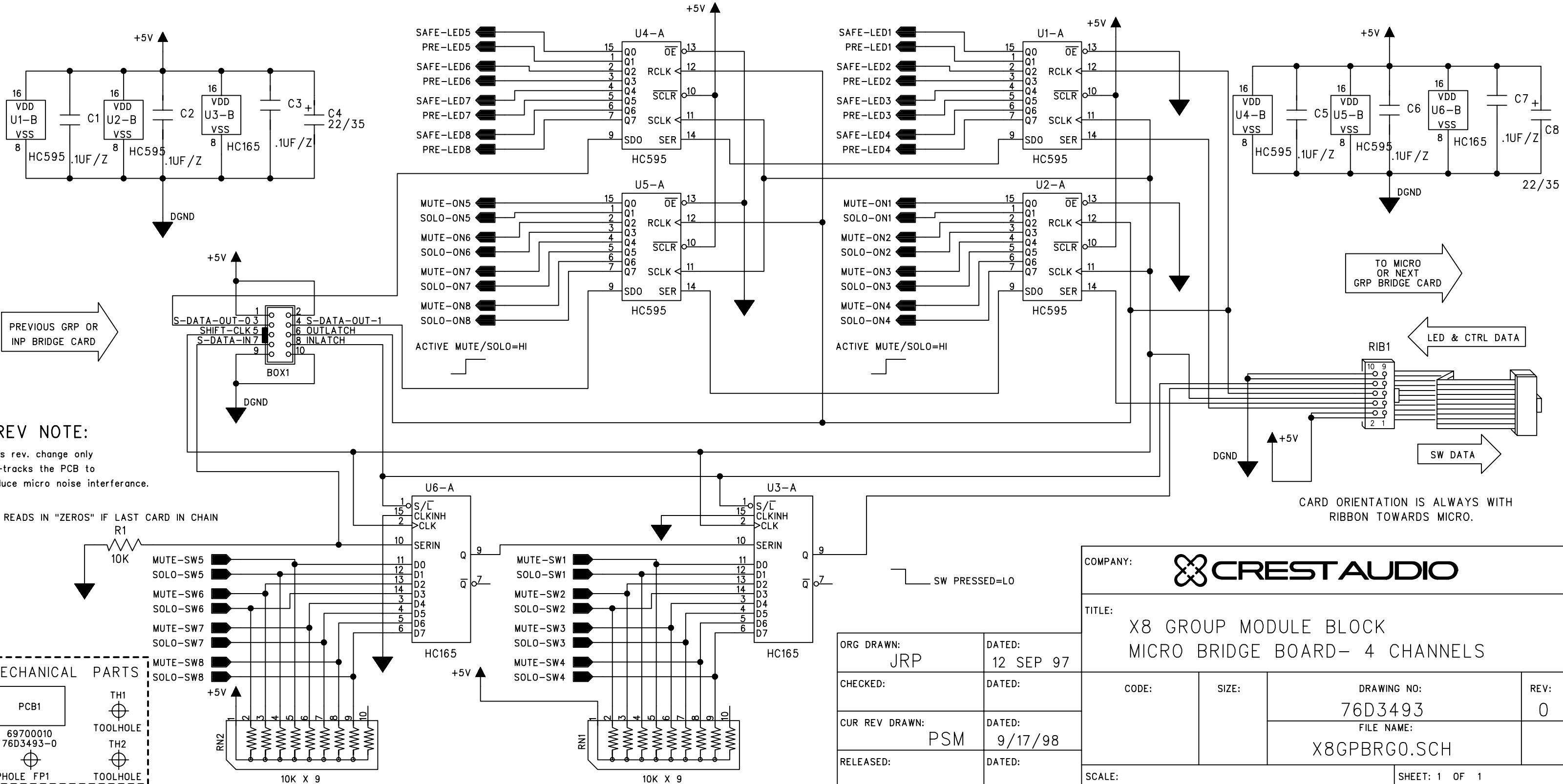
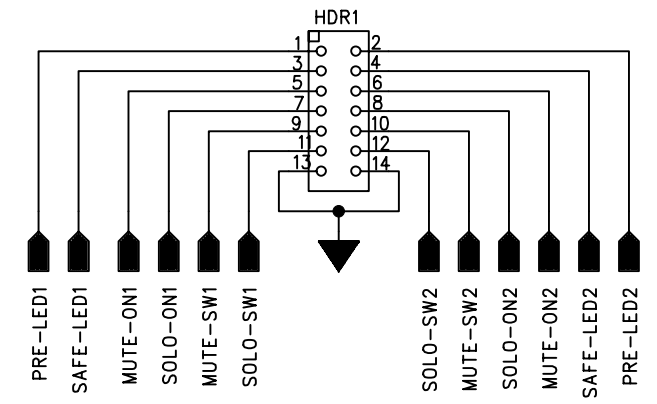
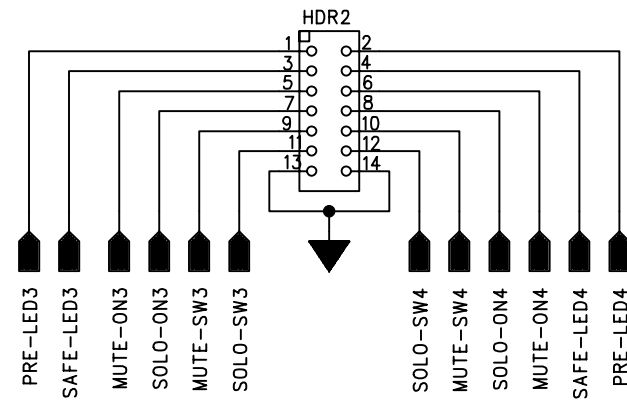
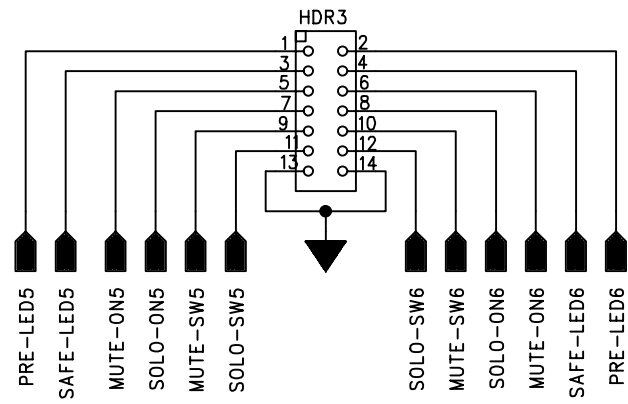
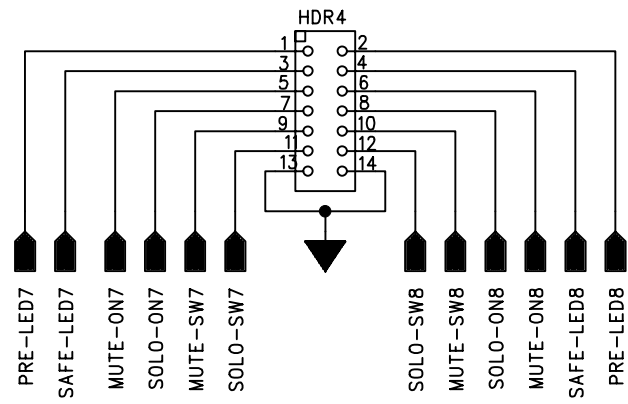


DRAWN: PSM		DATED: 12/18/97	
CHECKED:		DATED:	
CUR. REV. DRAWN: JRP		DATED: 6/2/99	
RELEASED:		DATED:	

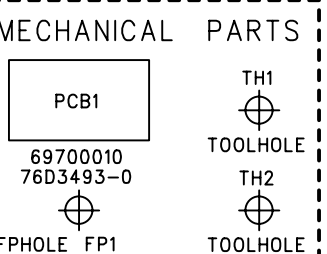
COMPANY:	CREST AUDIO		
TITLE:	X8 GROUP-HS 5-8 CONN		
CODE:	SIZE:	DRAWING NO:	REV:
		76D3511	00
		FILENAME:	
		X8G5HSC0.SCH	
SCALE:	SHEET: 1 OF 1		

CHANNEL FURTHEST FROM MICRO WITHIN BLOCK

CHANNEL CLOSEST TO MICRO WITHIN BLOCK



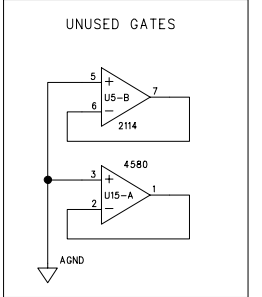
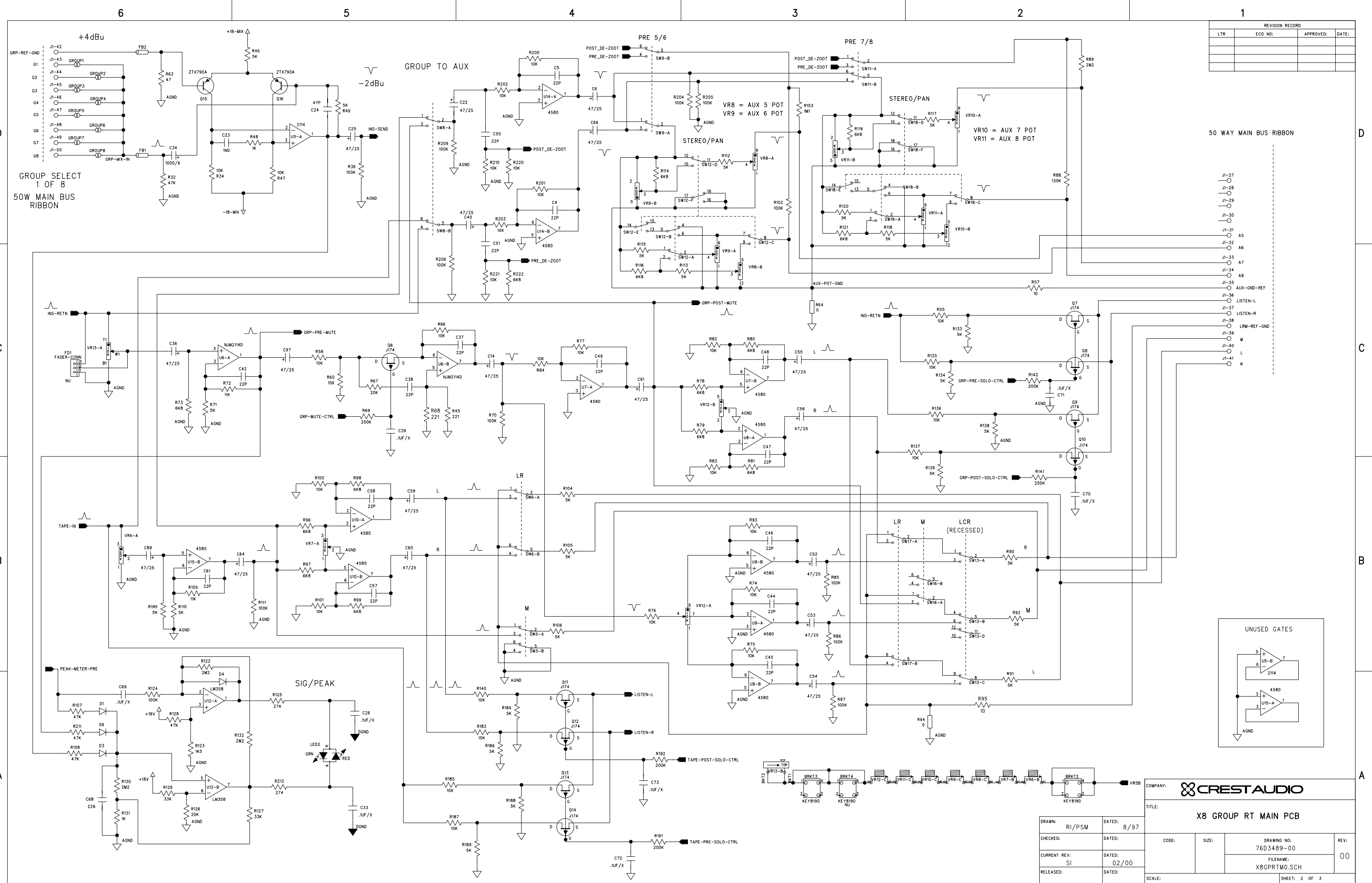
REV NOTE:
This rev. change only re-tracks the PCB to reduce micro noise interference.



ORG DRAWN: JRP	DATED: 12 SEP 97
CHECKED:	DATED:
CUR REV DRAWN: PSM	DATED: 9/17/98
RELEASED:	DATED:

COMPANY: CREST AUDIO			
TITLE: X8 GROUP MODULE BLOCK MICRO BRIDGE BOARD- 4 CHANNELS			
CODE:	SIZE:	DRAWING NO: 76D3493	REV: 0
SCALE:		FILE NAME: X8GPBRG0.SCH	
SHEET: 1 OF 1			

REVISION RECORD			
LTR	ECO NO:	APPROVED:	DATE:

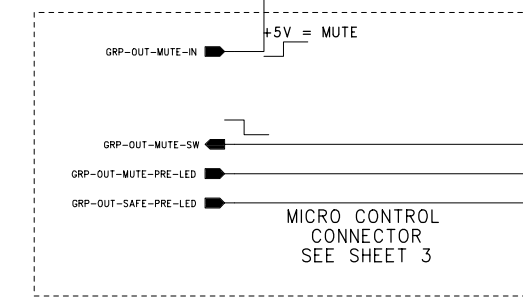
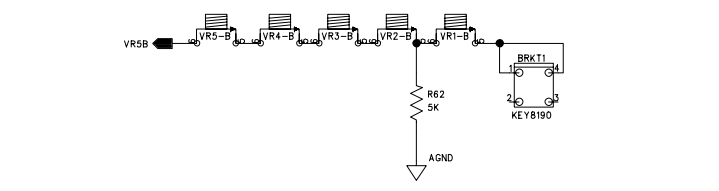
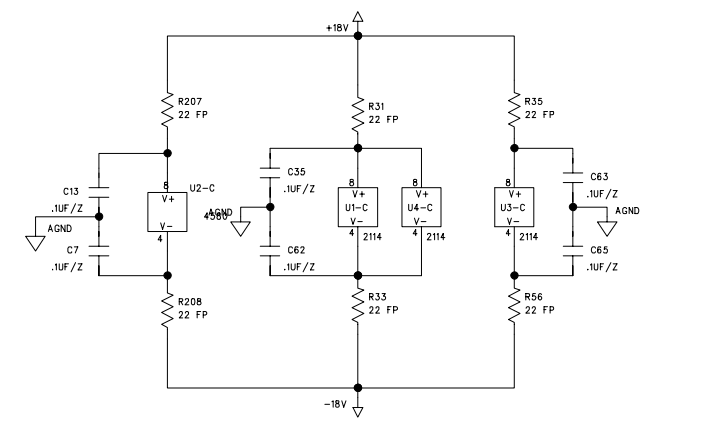
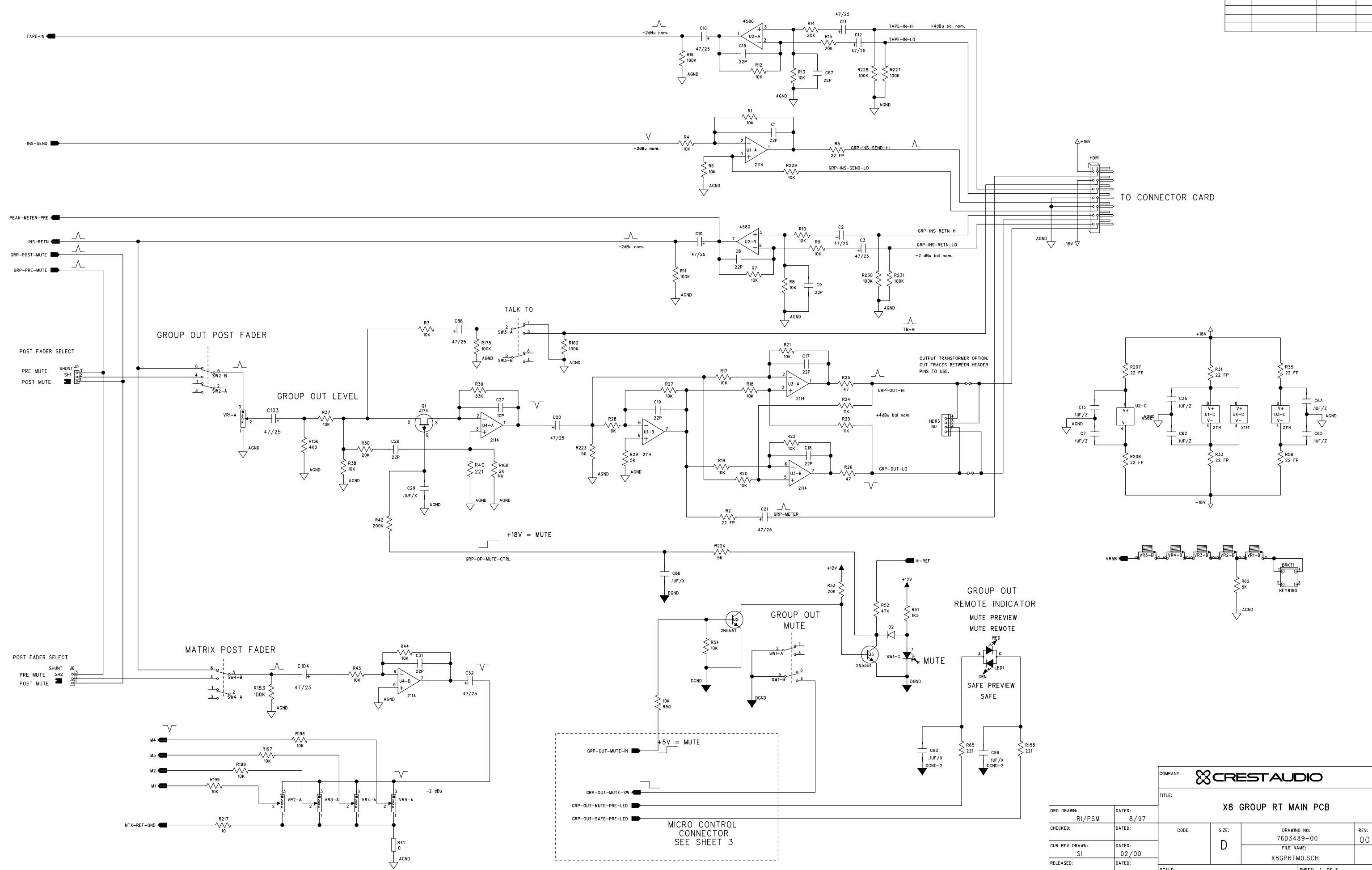


COMPANY: **CREST AUDIO**

TITLE: **X8 GROUP RT MAIN PCB**

DRAWN: R1/PSM	DATED: 8/97	CODE:	SIZE:	DRAWING NO: 76D3489-00	REV: 00
CHECKED:	DATED:			FILENAME: X8GRPRTMO.SCH	
CURRENT REV: S1	DATED: 02/00	SCALE:	SHEET: 2 OF 3		
RELEASED:	DATED:				

REVISION RECORD			
LTR	ECO NO:	APPROVED:	DATE:



COMPANY: CRESTAUDIO		TITLE: X8 GROUP RT MAIN PCB	
ORG DRAWN: R1/PSM	DATED: 8/97	CODE: D	SIZE: 76D3489-00
CHECKED: SI	DATED: 02/00	FILE NAME: X8GPRTM0.SCH	REV: 00
CUR REV DRAWN: SI	DATED: 02/00	SCALE: 1 OF 3	
RELEASED: 	DATED: 		

6

5

4

3

2

1

D

D

C

C

B

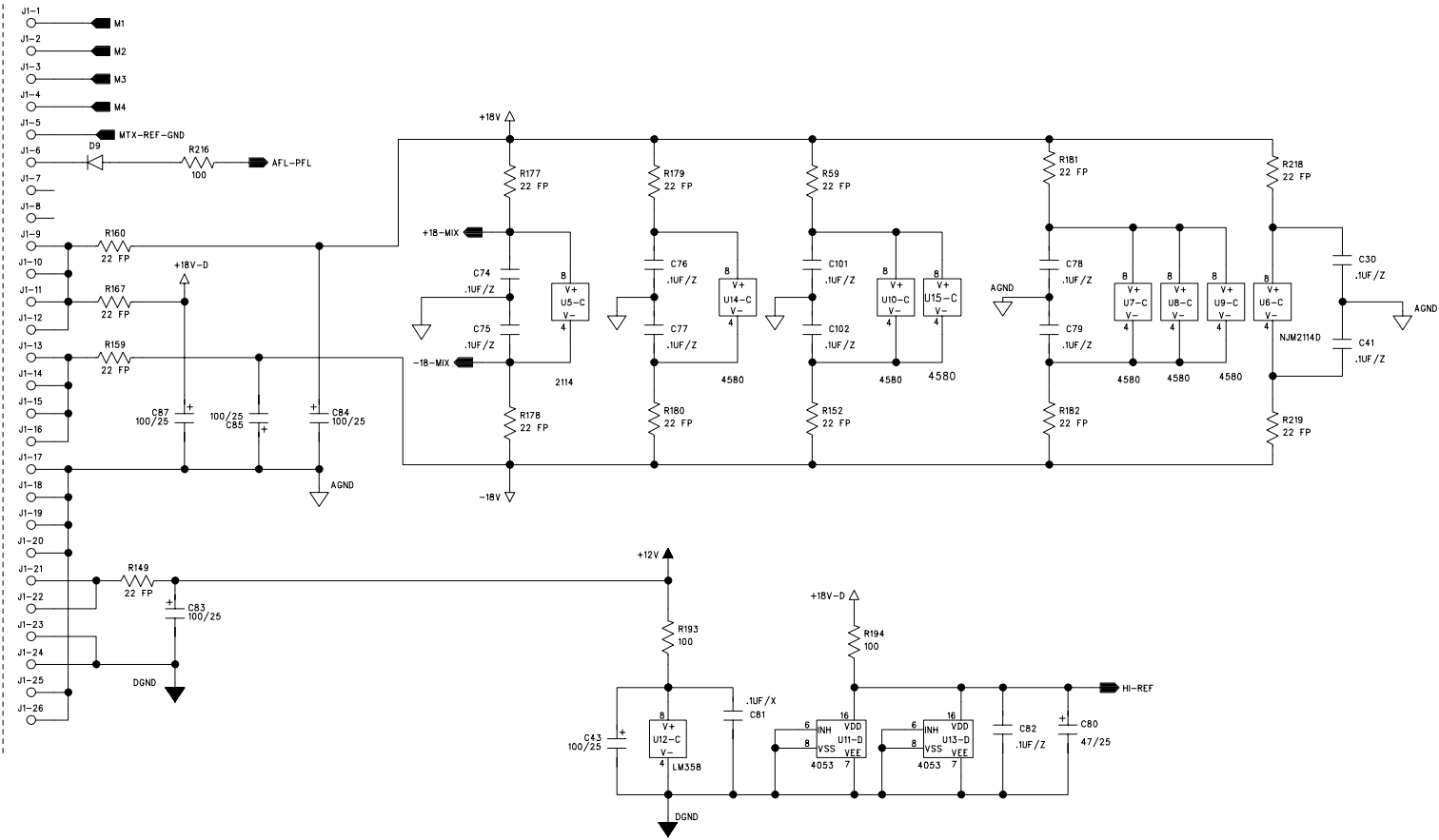
B

A

A

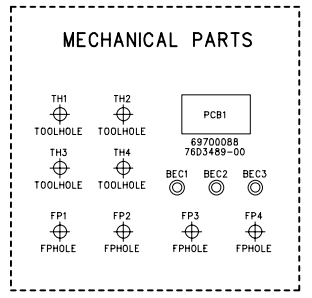
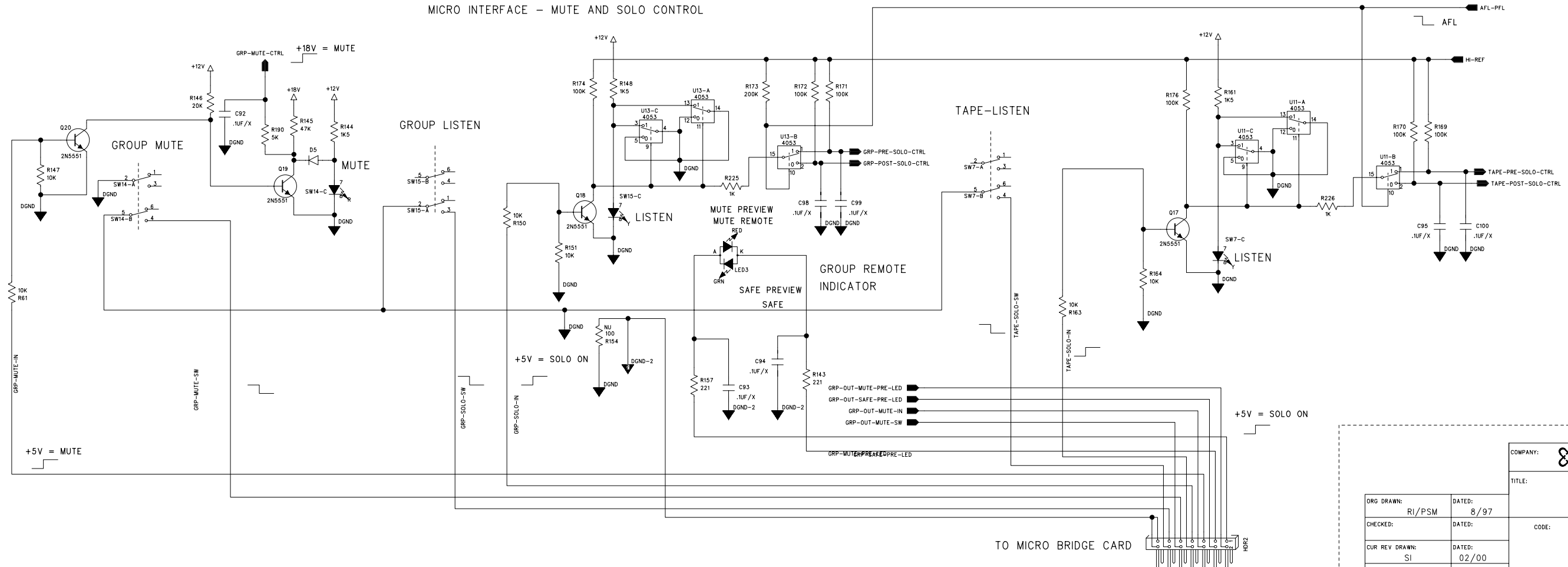
REVISION RECORD			
LTR	ECO NO:	APPROVED:	DATE:

50W BUS RIBBON



REV LEVEL	ASMBLY LEVEL	DATE	ECO	ENG.	DESCRIPTION
00	A	5/12/00	3926	PSM	- CHANGE ALL NJM2082DD TO NJM4580D - TAPE IN BUFFER -> ADD: R227-228: 100K0. (CAP RETN TO GND) - GROUP INS.SEND -> ADD: R229: 10K0. (IMPED. MATCH ON NEG LEG.) - GROUP INS. RTN -> ADD: R230-231: 100K0. (CAP RETN TO GND) - GROUP BAL. OUTPUT -> CNG: R29: 10K TO 4K99. ADD: 4X1 HEADER: HDR3 - MATRIX FEEDS -> CHG: R196-199: 4K99 TO 10K. - GROUP MIX AMP -> NEW CONFIGURATION. CHG: U5: NJM2082 TO NJM4580; R46,49: 10K0 TO 4K99; C24: 22P TO 47P C23: 100P TO 1N0; ADD: R48: 1K0 - FADER AMP -> CHNG: R71: 10K TO 4K99; R72: 20K TO 11K; ADD: C97: 47U/25 MOVE BUFFER TO NEW STAGE. CHANGE FROM U5 TO U15 (NEW - NJM4580) ADD: C101-102: U1/CZAM; R59,152: 22R-FP. SHARES WITH U10. - TAPE IN GAIN -> CHNG: R110,195: 10K TO 4K99, R109: 20K TO 11K - LRM FEEDS -> CHNG: R90-92,R104-106: 10K TO 4K99; R95: 0R TO 10R; R94: 10K TO 0R; DEL: R213-215. (NON-INV. RES TO GND ... RED. NOISE) - SOLO -> CHNG: R133,135,137-138,183,185,187-188: 20K TO 10K; R134,136,139-140,184,186,189-190: 15K TO 4K99. - SIGNAL PEAK -> ALL FEEDS NOW PRE OUTPUT CAPS; ADD: C33: U1/CXAK - POWER -> CHNG: C83-85,87: 47U/25 TO 100U/25 - MICRO INTERFACE -> CHNG: R154 TO "NU"; FOR SOLO CMDs: ADD: R190,R224-226: 4K99; C92,95,98-99,86,100: U1/CXAK; FOR SAFE/PRE ADD: C90,93: U1/CXAK. - CHANGED PART NUMBER FROM 697-6 TO 697-88. - GROUP OUT -> ADDED C103: 47U/25. ADDED TO WIPER OF VR1A - MATRIX POST FADER -> ADDED C104: 47U/25; R153: 100K0. (U4B)
00	B	7/6/00	3977	Slav	- GROUP OUT MUTE: CHANGE R40 475R TO 221R. - GROUP TO L/R/SOLO MUTE: CHANGE R68 1K50 TO 221R. - REMOVE IC SOCKETS: 8PIN SKT1-10, 12, 14. 16PIN SKT11, 13. - REMOVE 4PIN HEADER HDR3.
00	C	7/21/00	3993	TAZ	- REMOVED BRKT4 FROM PCB, NOT REQUIRED, NO HOLE IN METALWORK.
00	D	7/28/00	3997	TAZ	- CHANGED R95 FROM 10R 5% TO 10R0 1% (MISSING FROM INSERTION FILE)

MICRO INTERFACE - MUTE AND SOLO CONTROL



COMPANY: CREST AUDIO		TITLE: X8 GROUP RT MAIN	
ORG DRAWN: R1/PSM	DATED: 8/97	CODE: D	DRAWING NO: 76D3489-00
CHECKED: SI	DATED: 02/00		REV: 00
CUR REV DRAWN: SI	DATED: 02/00		FILE NAME: X8GRPRT0.SCH
RELEASED:	DATED:	SCALE:	SHEET: 3 OF 3

TO MICRO BRIDGE CARD

89prt0.sch-3 - Tue Jun 24 14:56:44 2003

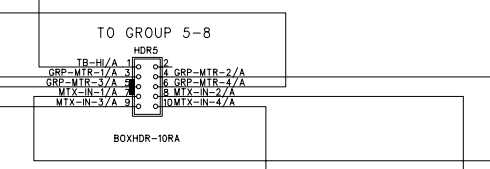
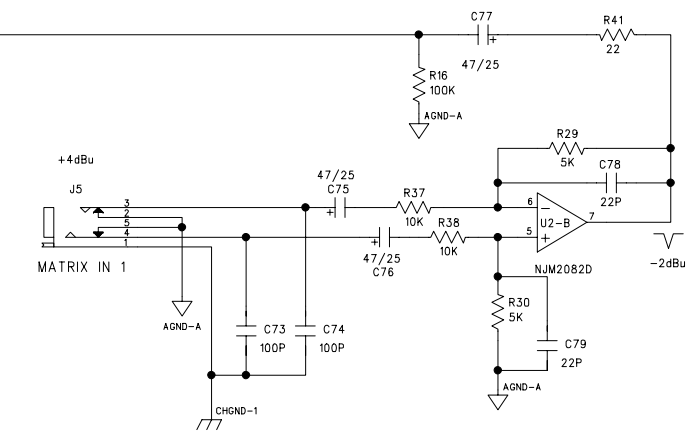
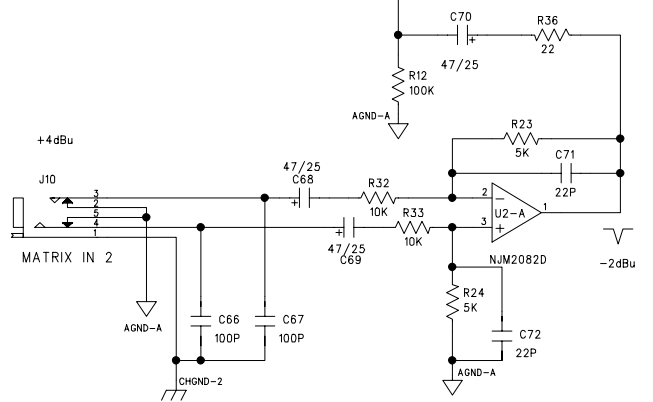
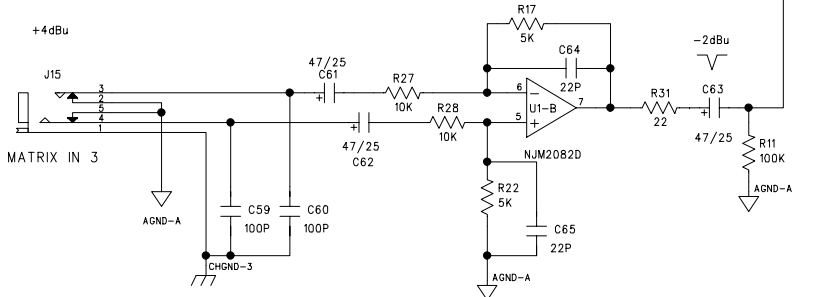
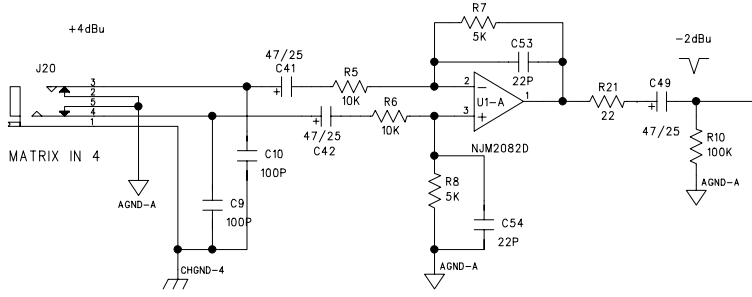
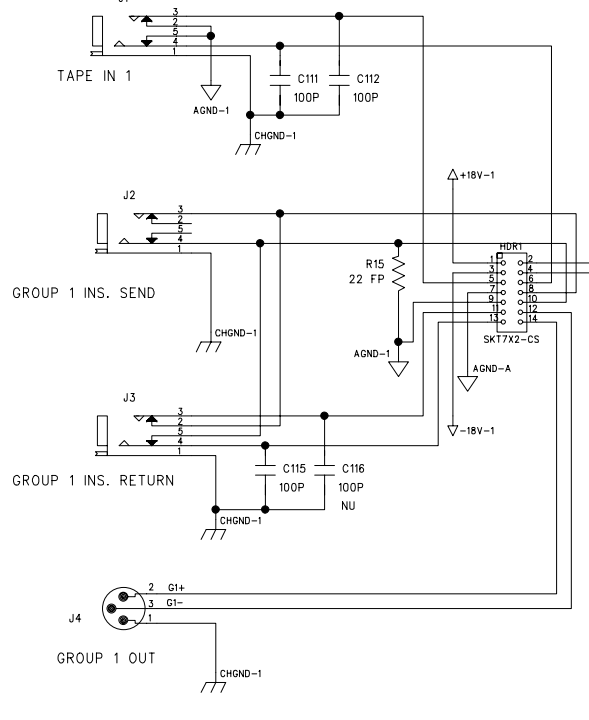
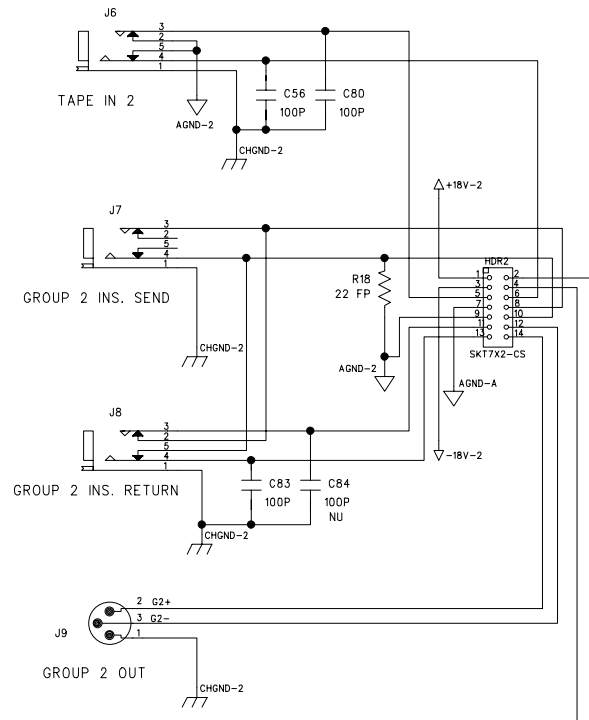
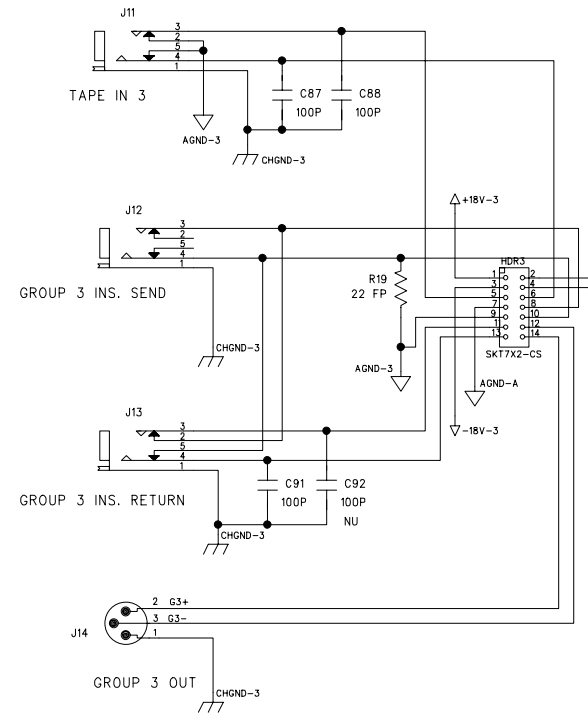
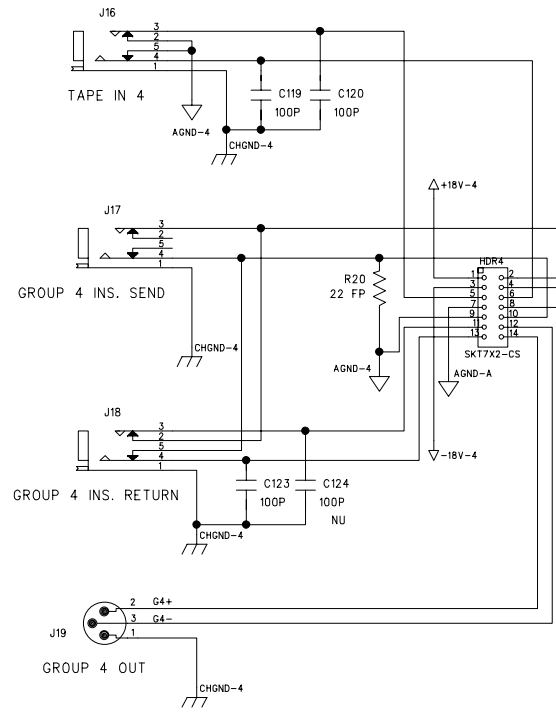
REVISION RECORD			
LTR	ECO NO:	APPROVED:	DATE:

MODULE 4

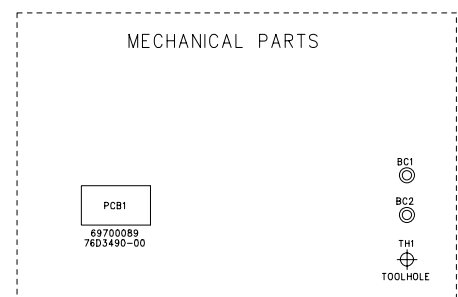
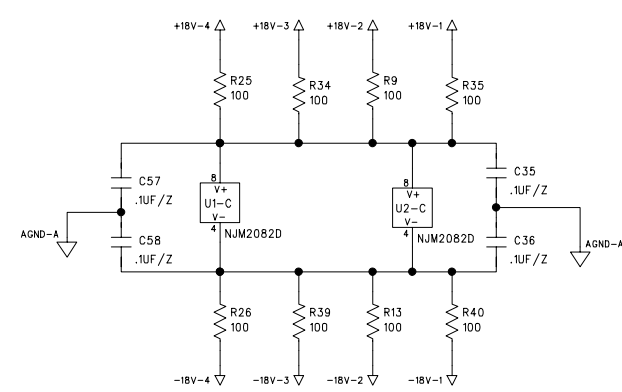
MODULE 3

MODULE 2

MODULE 1



REVISION RECORD					
REV LEVEL	ASMBLY LEVEL	DATE	ECO	ENG.	DESCRIPTION
00	A	5/11/00	3927	PSM	<ul style="list-style-type: none"> - CHANGED ALL 1/4" JACKS TO SWITCHCRAFT TRS-11J1393 - CHANGED TAPE IN NORMAL POINTS FROM AGND-A TO AGND-1, AGND-2, ETC. - CORRECTED PIN-OUT FOR HDR5 (GROUP METER SIGNALS WERE WRONG) - REMOVED 100P CAPS FROM THE OUTPUTS: C85-86, C93-94, C117-118, C125-126. - REMOVED 100P CAPS FROM GROUP INS. SENDS: C81-82, C89-90, C113-114, C121-122. - NU'ED CAPS ON POSITIVE LINE OF INS RETURN AS PER X8-HS. C84, C92, C116, C124. - ROTATED XLR JACKS 180 DEGREES. - CHANGED PART NUMBER FROM 697-7 TO 697-89.
00	B	3/14/01	ECO 4060	JP	<ul style="list-style-type: none"> REMOVE 8-PIN DIP SOCKETS FROM SCHEMO; SKT1,2 ADDED NOTE TO CURRENT PCB FILE TO REMOVE SOCKETS AT NEXT REV



COMPANY: **CREST AUDIO**

TITLE: **X8 GROUP-RT 1-4 CONNECTOR BOARD**

DRAWN: RI DATED: 18 JULY 97

CHECKED: SI DATED: 02/00

CUR. REV. DRAWN: SI DATED: 02/00

RELEASED: DATED:

CODE: SIZE: DRAWING NO: 76D3490-00 REV: 00

FILENAME: X8G1RTCO.SCH

SCALE: SHEET: 1 OF 1

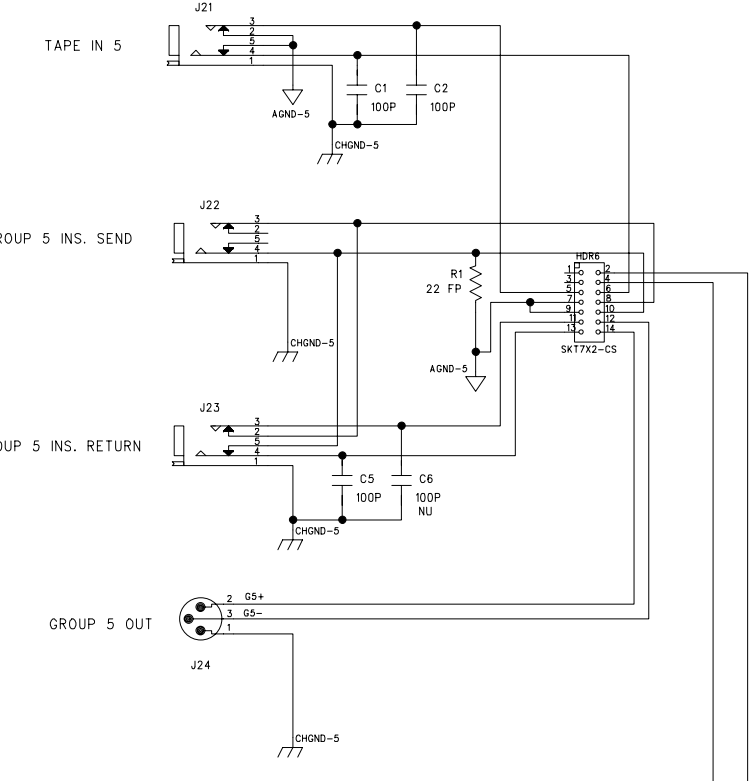
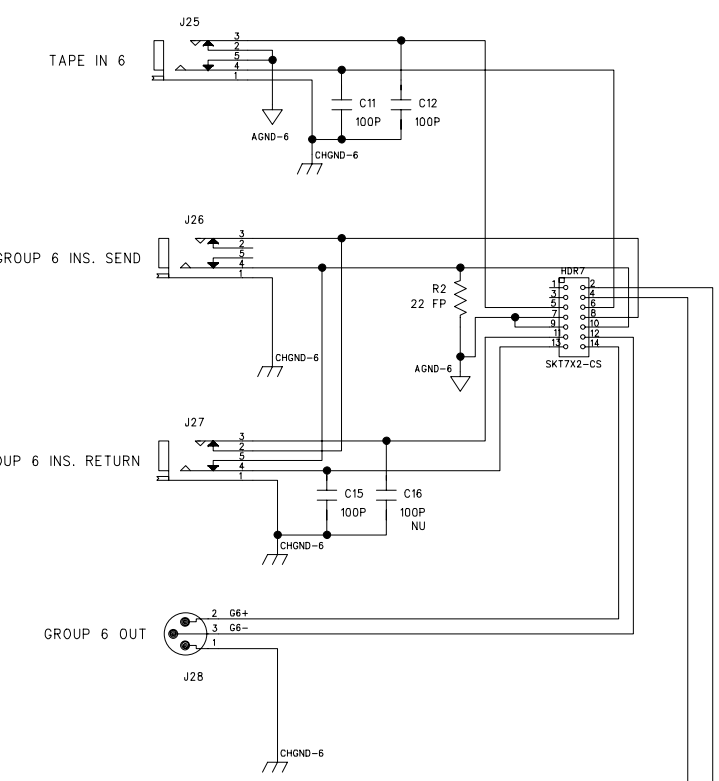
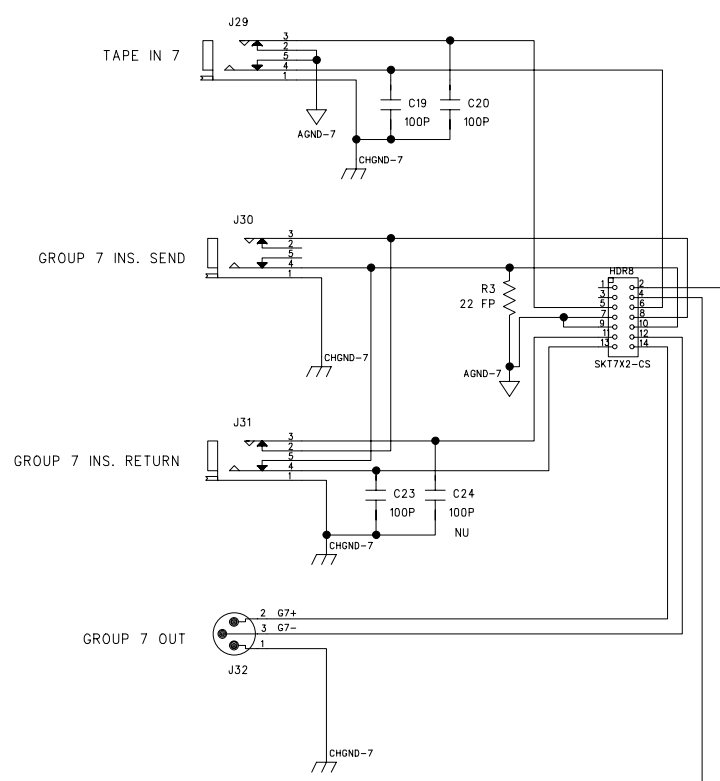
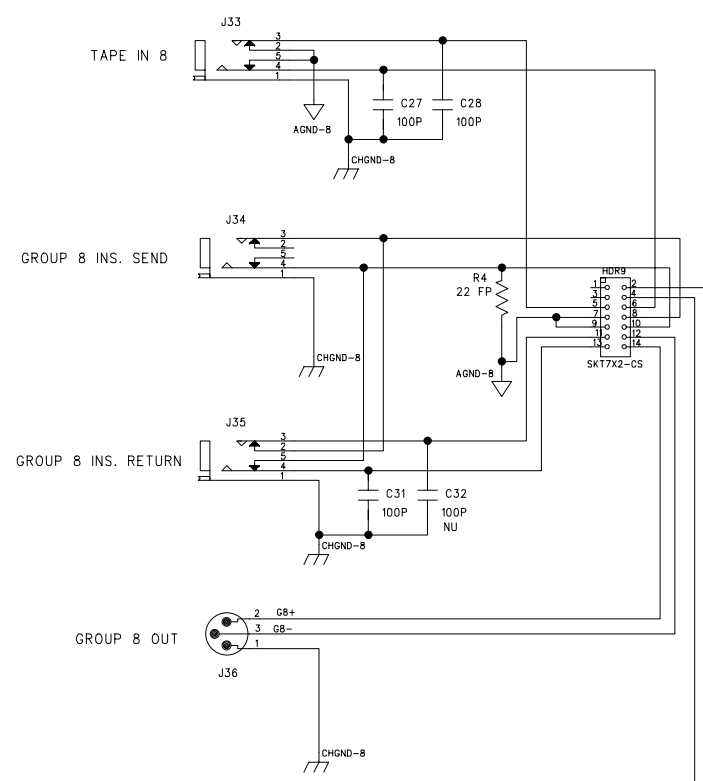
REVISION RECORD			
LTR	ECO NO.	APPROVED:	DATE:

MODULE 8

MODULE 7

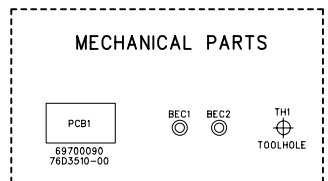
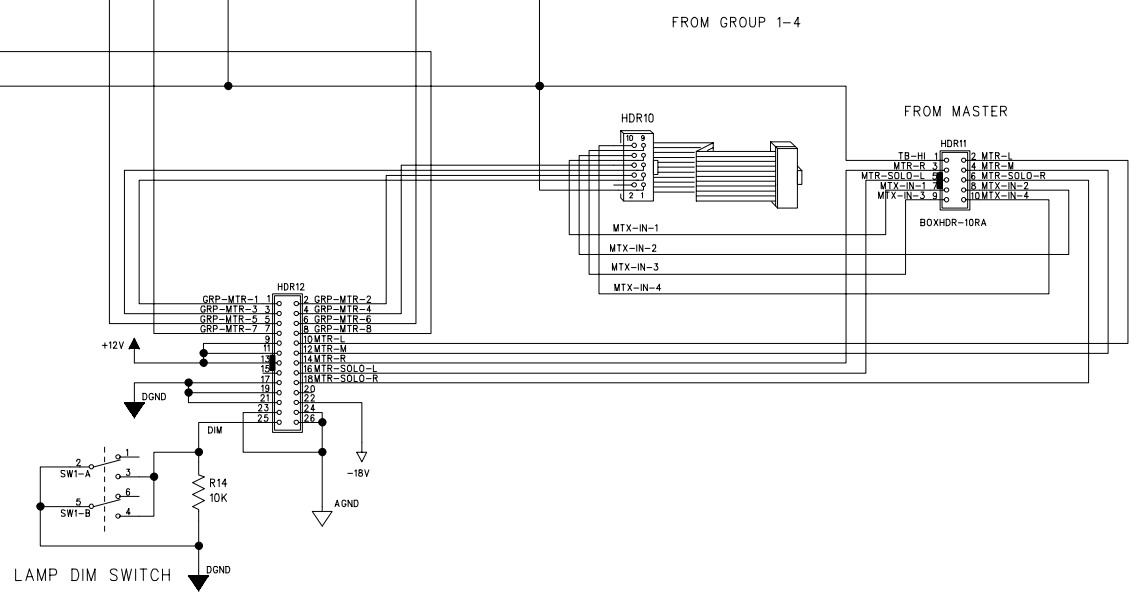
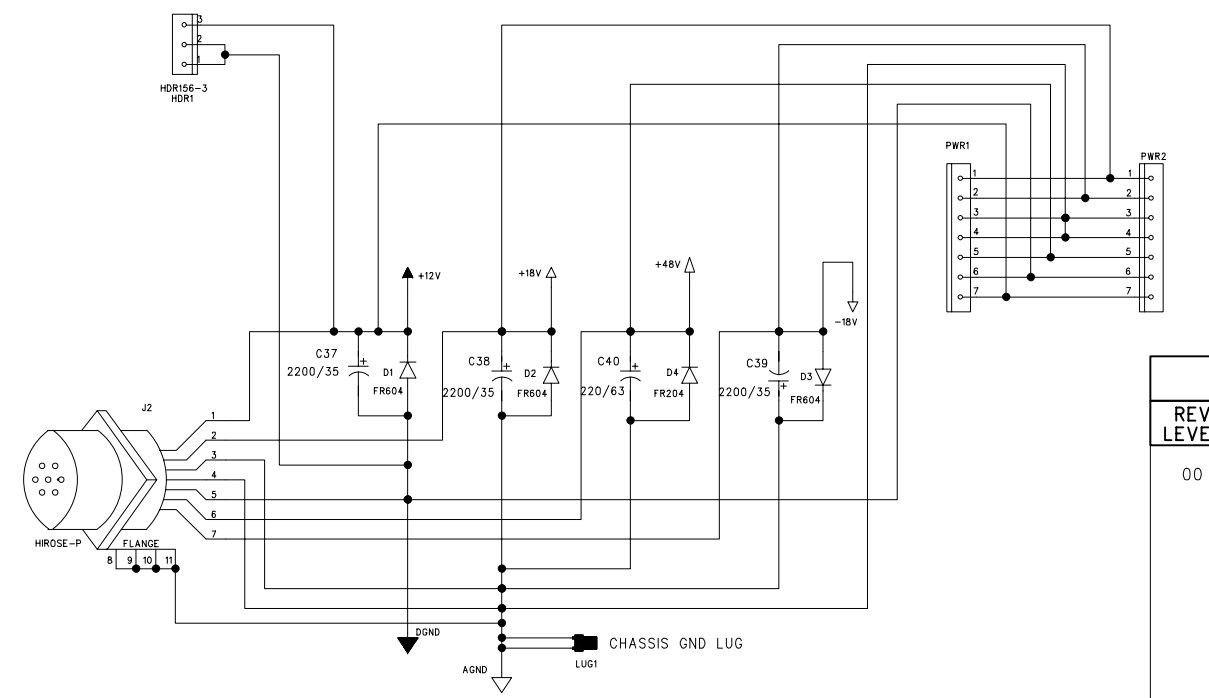
MODULE 6

MODULE 5



+12V & DGND TO MICRO BOARD

POWER DISTRIBUTION TO BOTH ENDS OF MODULE RIBBON



REVISION RECORD					
REV LEVEL	ASMBLY LEVEL	DATE	ECO	ENG.	DESCRIPTION
00	A	5/11/00	????	PSM	<ul style="list-style-type: none"> - CHANGED GROUND SYSTEMS TO MATCH X8-HS (AGND AND CHGND KEPT SEPARATE) - CHANGED HDR13 FROM 5-PIN TO 3-PIN .156" HEADER - CHANGED PCB DECAL FOR HIROSE CONNECTOR. - MODIFIED PIN-OUT OF HDR12 (TO MTR BRIDGE) TO MATCH X8-HS - PARTS DELETED: 100P CAPS FROM OUTS: C7-8, C17-18, C25-26, C33-34 - 100P CAPS FROM INS. SEND: C3-4, C13-14, C21-22, C29-30. - NU 100P CAP ON POSITIVE INPUT OF INS. RETURN AS PER X8-HS: C6, C16, C24, C32. - CHANGED ALL 1/4" JACKS TO SWITCHCRAFT TRS-11J1393. - ROTATED XLR JACKS 180 DEGREES. - CHANGED PART NUMBER FROM 697-27 TO 697-90.

COMPANY: **CREST AUDIO**

TITLE: **X8 GROUP-RT 5-8 CONNECTOR PCB**

ORG DRAWN: RI DATED: 11 JULY 97

CHECKED: SI DATED: 02/00

CUR REV DRAWN: SI DATED: 02/00

RELEASED: DATED: 02/00

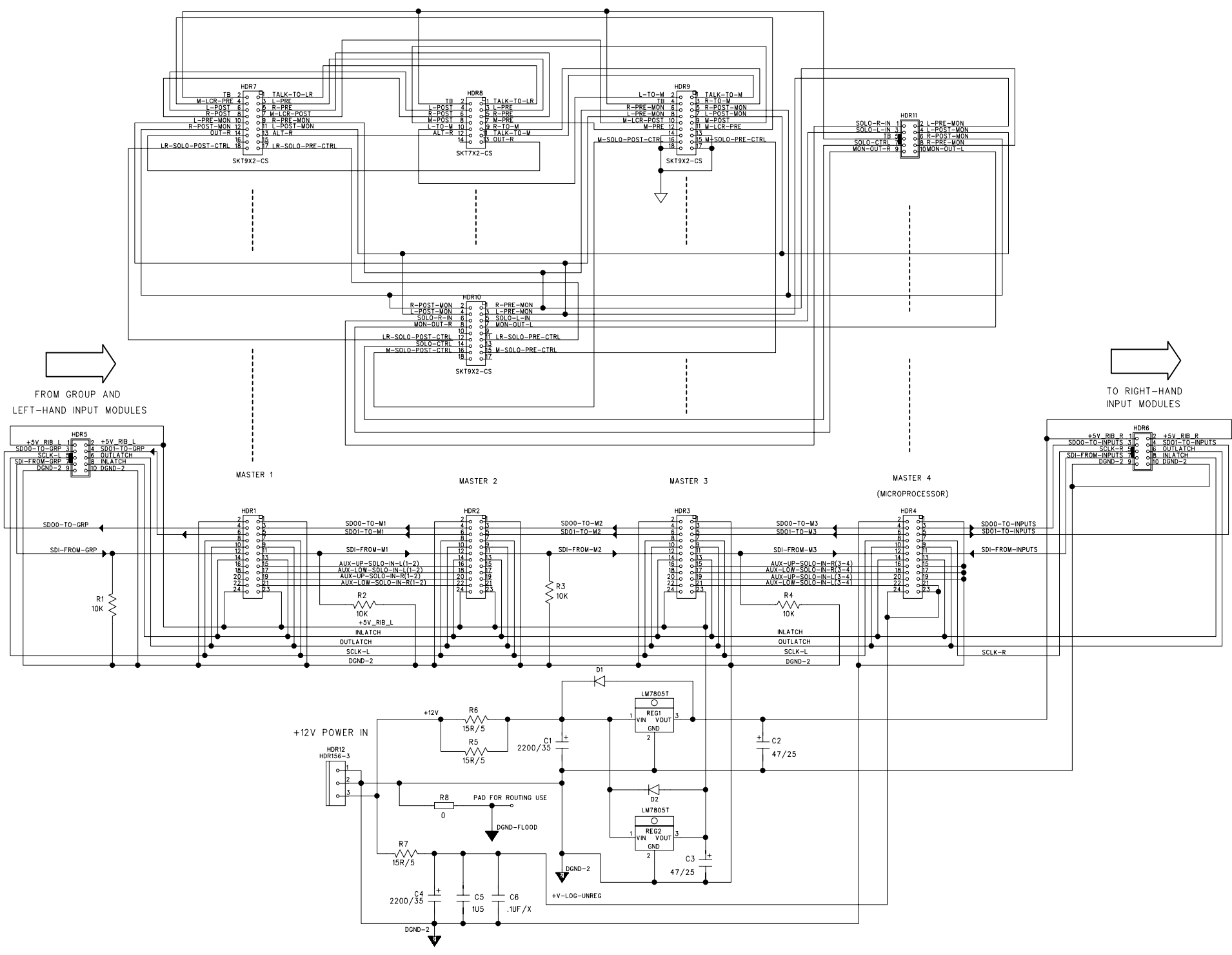
CODE: D SIZE: D

DRAWING NO: 76D3510-00 REV: 00

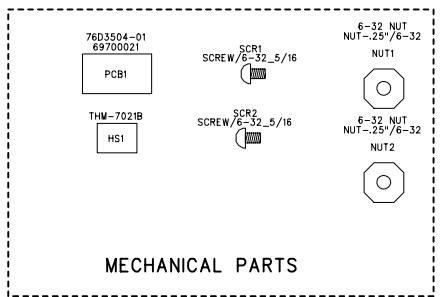
FILE NAME: X8G5RTC0.SCH

SCALE: SHEET: 1 OF 1

REVISION RECORD			
LTR	ECO NO:	APPROVED:	DATE:



REVISION RECORD					
REV LEVEL	ASMBLY LEVEL	DATE	ECO	ENG.	DESCRIPTION
00	A	4/1/99	3275	PSM	- CHANGED REV FROM E TO 00. REV E IS AN EXACT COPY OF REV 00 AND WAS ONLY CHANGED TO A NUMERICAL REVISION FOR DOCUMENTATION PURPOSES.
01	A	9/15/00	XXXX	JP	-ADDED MORE PWR & GND CONNECTIONS TO HDR4 (TO MSTR4): THESE PINS WERE PREVIOUSLY UNUSED: ADD GND TO PINS 15, 17, 19; ADD PWR TO PIN 21 HS MASTER 4 UPDATED TO REV-02 (9/00), RT MSTR 4 UPDATE STILL NEEDED



MECHANICAL PARTS

ORG DRAWN:	RI	DATED:	28 JULY 97
CHECKED:		DATED:	
CUR REV DRAWN:	JP	DATED:	9/15/00
RELEASED:		DATED:	

COMPANY: **CREST AUDIO**

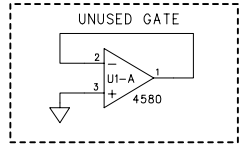
TITLE: **X8 MASTER MICRO BRIDGE PCB FOR HS AND RT MODELS**

CODE:	SIZE:	DRAWING NO:	REV:
	D	7603504	01
FILE NAME:		X8MSBRG1.SCH	
SCALE:			

REVISION RECORD			
LTR	ECO NO.	APPROVED:	DATE:

TO 50W BUS RIBBON

TO CONNECTOR CARD



MATRIX MASTER

MATRIX LEVEL

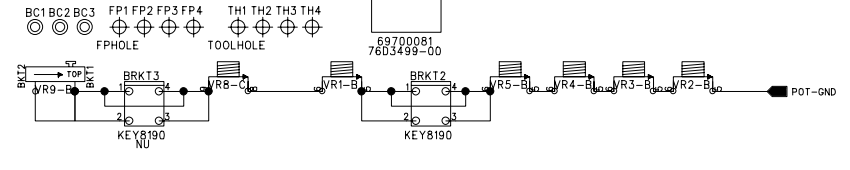
MATRIX SENDS

MATRIX MUTE

MATRIX REMOTE INDICATOR

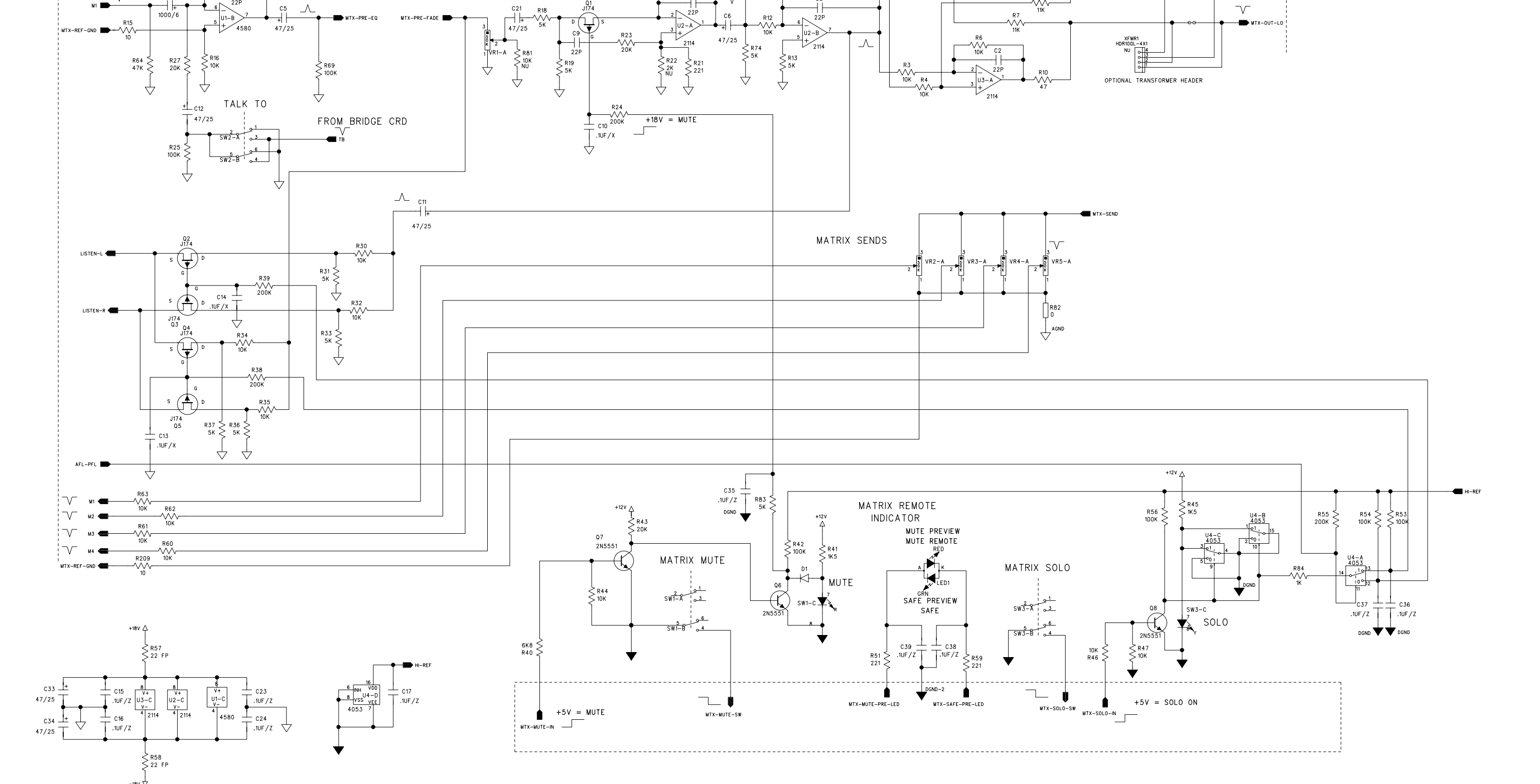
MATRIX SOLO

MECHANICAL PARTS

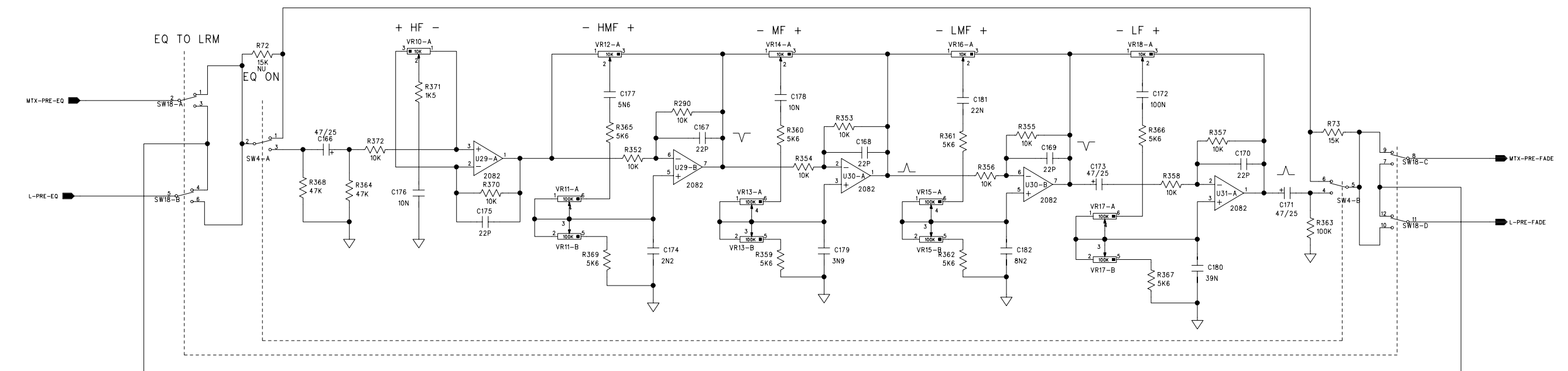
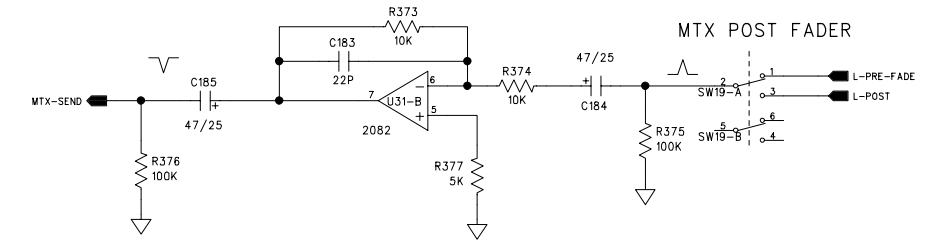
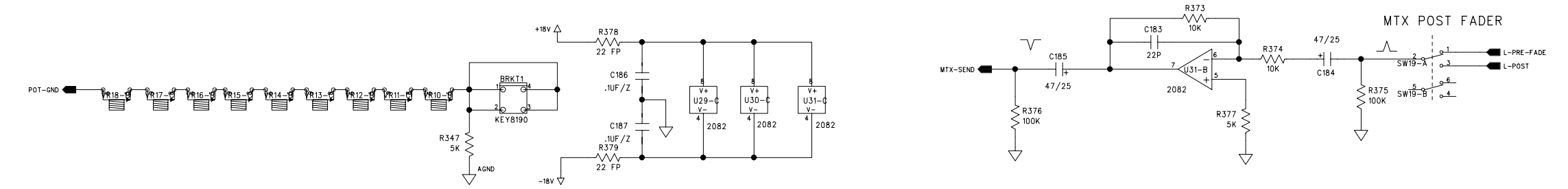


DRAWN: RI/TAZ	DATED: 2/25/98
CHECKED:	DATED:
LATEST REV: PSM	DATED: 7/8/99
RELEASED:	DATED:

COMPANY: CREST AUDIO	
TITLE: X8 MASTER 1HS MAIN PCB	
CODE:	SIZE:
DRAWING NO: 76D3499	REV: 00
FILE NAME: X8M1HS0.SCH	
SCALE:	SHEET: 1 OF 4



REVISION RECORD			
LTR	ECO NO.	APPROVED:	DATE:



REVISION RECORD					
REV LEVEL	ASMBLY LEVEL	DATE	ECO	ENG.	DESCRIPTION
00	A	7/8/99	3500	PSM	<ul style="list-style-type: none"> - ADDED OPTIONAL TRANSFORMER HEADERS FOR MATRIX AND LEFT OUTPUT. - CHANGED PART NUMBER FROM 697-16 TO 697-81. - GREW PCB .060", CHANGED KEY8190 AND TRANSISTOR DECALS. - CHANGED ALT OUT SECTION. U22-25: NJM2082D TO NJM4580D REMOVED NON-INV INPUT RESISTORS TO GROUND ON U22-24. (NOISE IMPRV.) ADDED AC COUP. CAP C44 (47U/25) TO M-LCR-POST SIGNAL. REMOVED UNNECESSARY COUPLING CAPS C138 AND C140 (47U/25) FROM L-PRE-FADE AND R-PRE-FADE. - MICRO CHANGES. CHANGE R50: 100 TO 100 NU, ADDED RC TO MATRIX AND LEFT SOLO CMDS. (R84, C36-37, R86, C40-41). ADD RC TO LEFT MUTE CMD: (R83, C35). CHANGE SAFE/PREVIEW DECOUPLING CAPS (ADD C38-39) - ADD R82 (OR) TO MATRIX POT GND TO AGND (CLEAN RETURN) - CHANGED U14, U19, U20 FROM NJM2082 TO NJM4580D. - SIG PRESENT LED CIRCUIT CHANGES. MOVED LEFT AND RIGHT POST FADER TO PRE DECOUPLING CAPACITORS (C107 AND C113). FOR THE LEFT AND RIGHT PRE FADER SIGNAL, EMITTER FOLLOWER BUFFERS WERE ADDED TO REDUCE DISTORTION. - CHANGED LEFT MIX AMP TO A PSEUDO BALANCED MIX AMP USING THE LRM-REF-GND SIGNAL. - CHANGED SOLO RESISTORS. R30, R32, R34, R35, R235, R237: 20K TO 10K R236, R238, R31, R33, R36, R37: 10K TO 4K99. - CHANGED U31 OF EQ CIRCUIT FROM NJM2114D TO NJM2082DD.
00	B	9/28/99	3627	TAZ	<ul style="list-style-type: none"> - CORRECTED FEED FROM LEFT TO SOLO BUS. ADDED C18, C19 LEFT PRE FADE SIGNAL TO FEED SOLO BUS (NOT RIGHT PRE FADE)

COMPANY: **CREST AUDIO**

TITLE: **X8 MASTER 1 HS MAIN PCB**

ORG DRAWN: R1/TAZ	DATED: 2/25/98	CODE:	SIZE: D	DRAWING NO: 76D3499	REV: 00
CHECKED:	DATED:			FILE NAME: X8M1HS.M0.SCH	
CUR REV DRAWN: PSM	DATED: 7/8/99				
RELEASED:	DATED:				

SCALE: SHEET: 2 OF 4

REVISION RECORD			
LTR	ECO NO:	APPROVED:	DATE:

50W MAIN BUS RIBBON

D

C

B

A

TO CONNECTOR CARD

L-INS-SEND-HI
 L-INS-SEND-LO
 L-INS-RETN-HI
 L-INS-RETN-LO

L-ALT-OUT-LO
 L-ALT-OUT-HI

L-OUT-LO
 L-OUT-HI

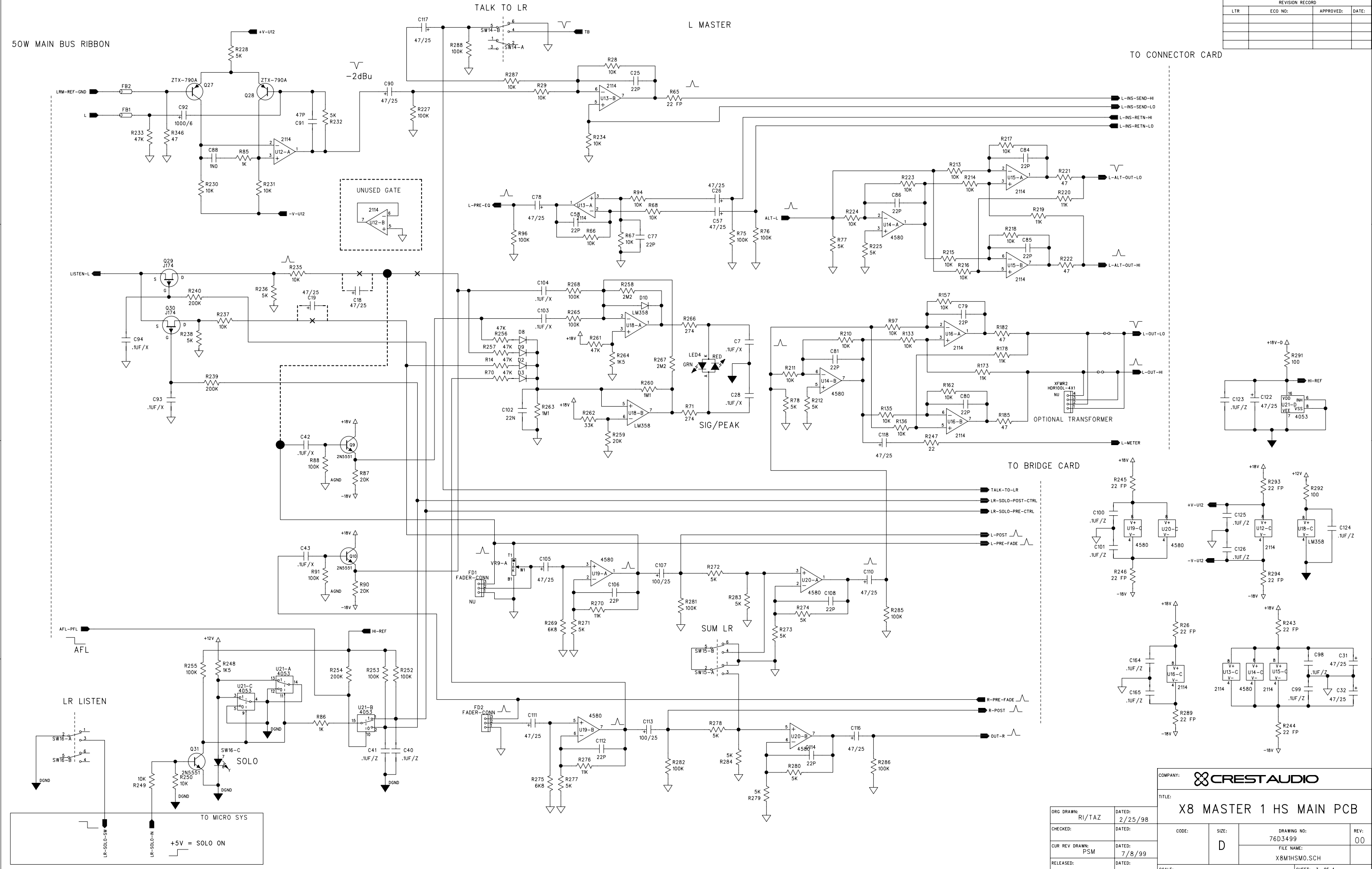
L-METER

TALK-TO-LR
 LR-SOLO-POST-CTRL
 LR-SOLO-PRE-CTRL

L-POST
 L-PRE-FADE

R-PRE-FADE
 R-POST

TO MICRO SYS
 +5V = SOLO ON



COMPANY: **CREST AUDIO**

TITLE: **X8 MASTER 1 HS MAIN PCB**

ORG DRAWN: R1/TAZ	DATED: 2/25/98	CODE: D	SIZE: 76D3499	REV: 00
CHECKED: PSM	DATED: 7/8/99			FILE NAME: X8MHSMO.SCH
CUR REV DRAWN: PSM	DATED: 7/8/99	SHEET: 3 OF 4		

ORG DRAWN: R1/TAZ	DATED: 2/25/98
CHECKED: PSM	DATED: 7/8/99
CUR REV DRAWN: PSM	DATED: 7/8/99
RELEASED:	DATED:

REVISION RECORD			
LTR	ECO NO:	APPROVED:	DATE:

D

D

C

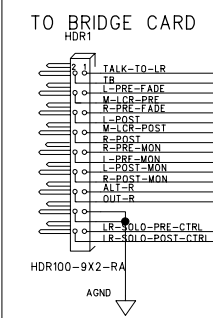
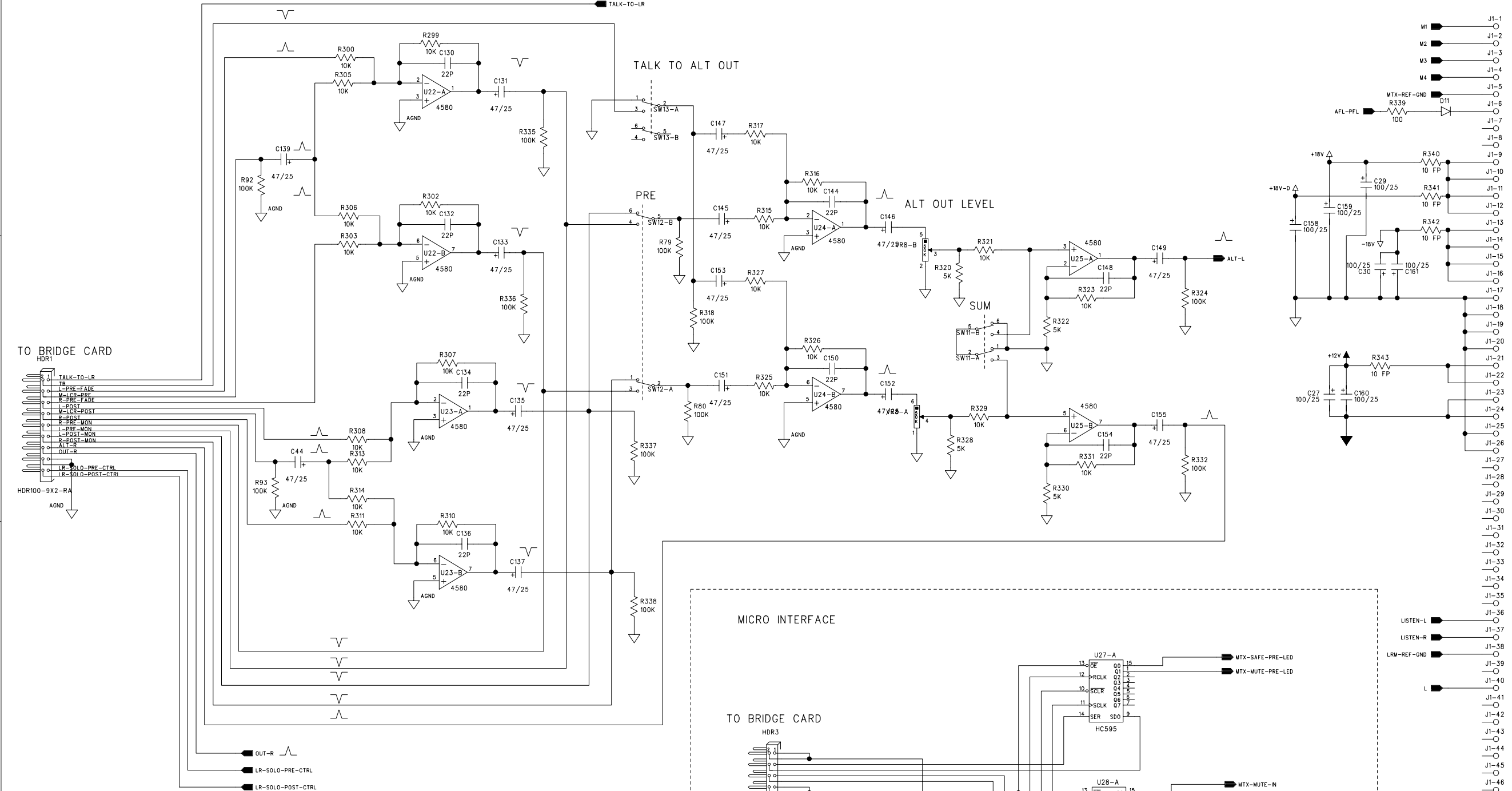
C

B

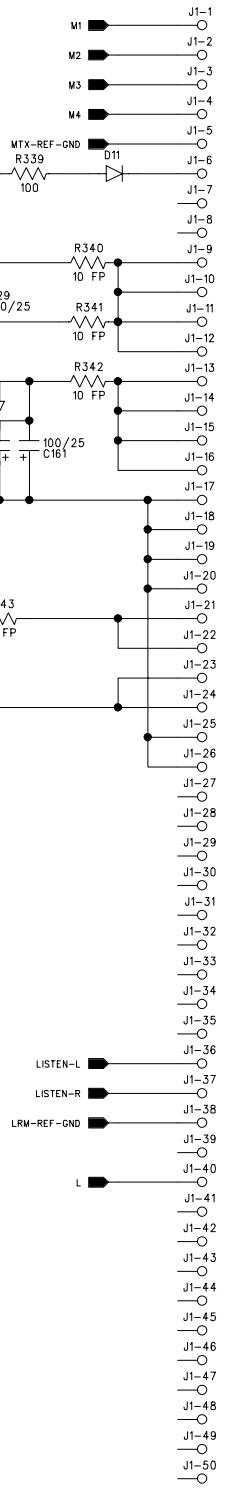
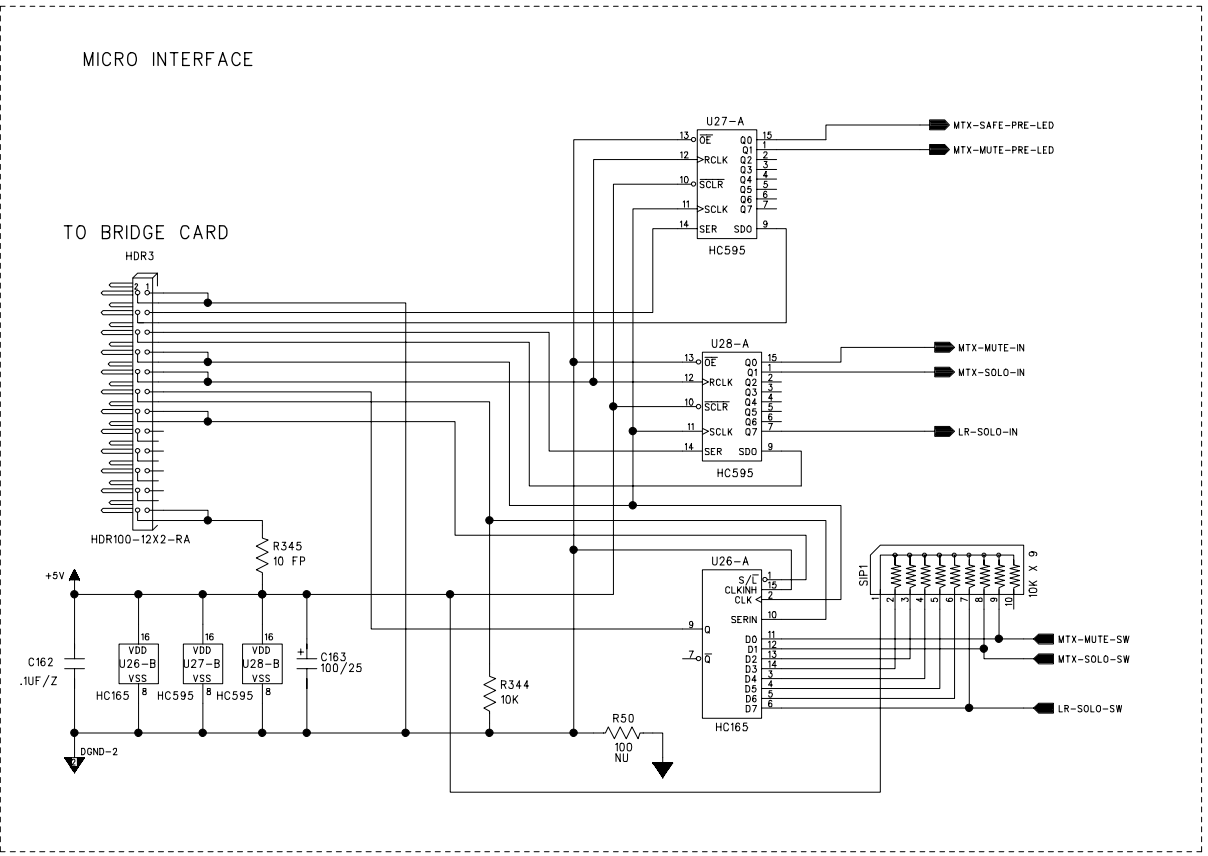
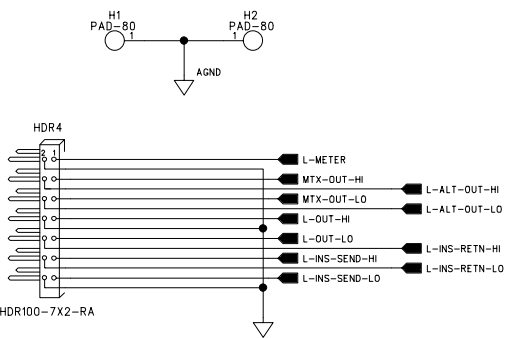
B

A

A



TO CONNECTOR CARD



COMPANY: **CRESTAUDIO**

TITLE: **X8 MASTER 1 HS MAIN PCB**

ORG DRAWN: R1/TAZ	DATED: 2/25/98	CODE: D	SIZE: D	DRAWING NO: 76D3499	REV: 00
CHECKED: PSM	DATED: 7/8/99			FILE NAME: X8M1HSMO.SCH	
CUR REV DRAWN: PSM	DATED: 7/8/99	SCALE: 1:1		SHEET: 4 OF 4	

REVISION RECORD			
LTR	ECO NO.	APPROVED:	DATE:

TO 50W BUS RIBBON

TO CONNECTOR CARD

MATRIX MASTER

MATRIX LEVEL

MATRIX SENDS

MATRIX MUTE

MATRIX LISTEN

MATRIX REMOTE INDICATOR

TALK TO

FROM BRIDGE CRD

D

D

C

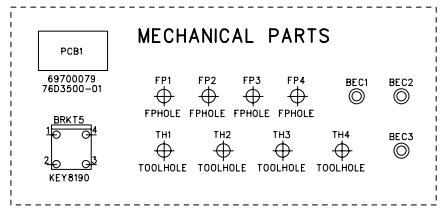
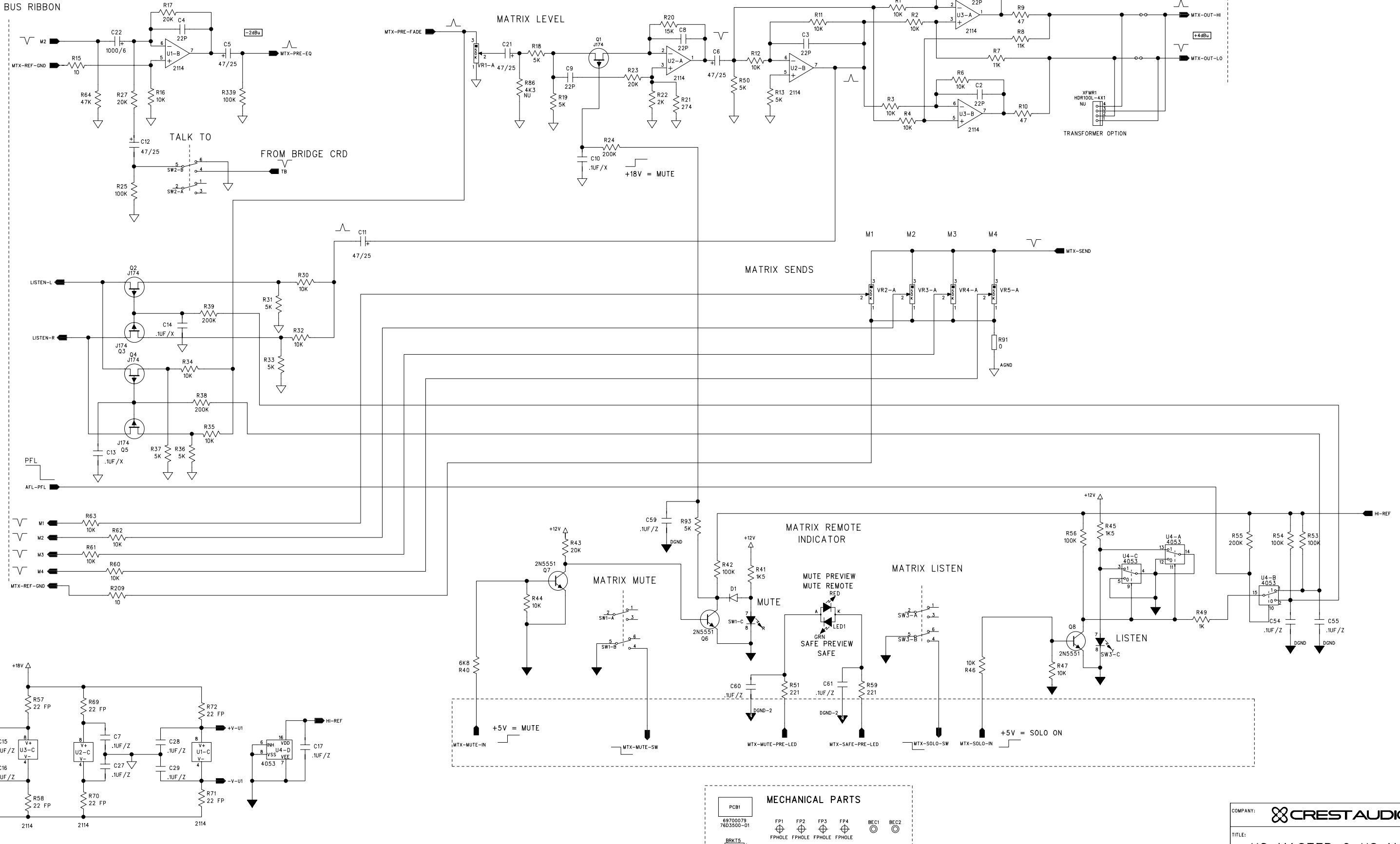
C

B

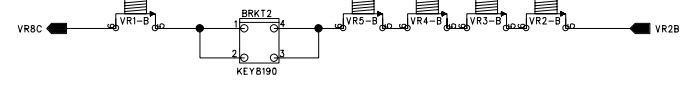
B

A

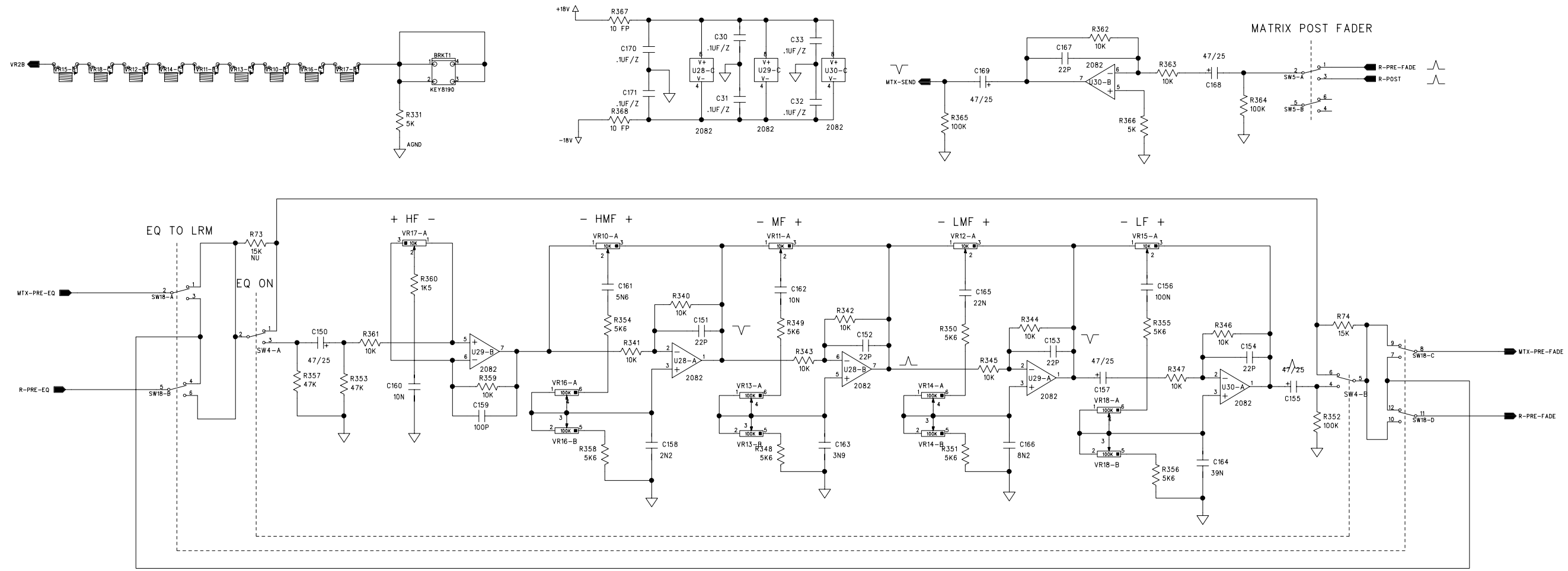
A



COMPANY: CREST AUDIO	
TITLE: X8 MASTER 2 HS MAIN PCB	
DRAWN: RI	DATED: 13 OCT 97
CHECKED: JP	DATED: 12/6/00
CUR REV. DRAWN: JP	DATED: 12/6/00
RELEASED:	DATED:
CODE: D	SIZE: D
DRAWING NO: 76D3500	REV: 01
FILENAME: X8M2HSM1.SCH	SHEET: 1 OF 4



REVISION RECORD			
LTR	ECO NO:	APPROVED:	DATE:



COMPANY: **CREST AUDIO**

TITLE: **X8 MASTER 2 HS MAIN PCB**

ORG DRAWN: RI	DATED: 13 OCT 97	CODE:	SIZE: D	DRAWING NO: 76D3500	REV: 01
CHECKED:	DATED:			FILE NAME: X8M2HSM1.SCH	
CUR REV DRAWN: JP	DATED: 12/6/00				
RELEASED:	DATED:				

SCALE: SHEET: 2 OF 4

REVISION RECORD			
LTR	ECO NO.	APPROVED:	DATE:

R MASTER

TO CONNECTOR CARD

50W MAIN BUSS RIBBON

D

C

B

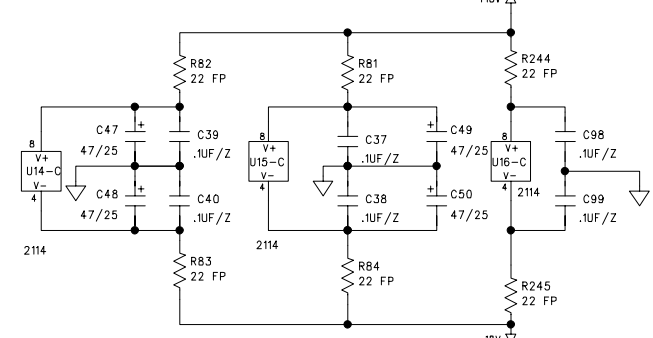
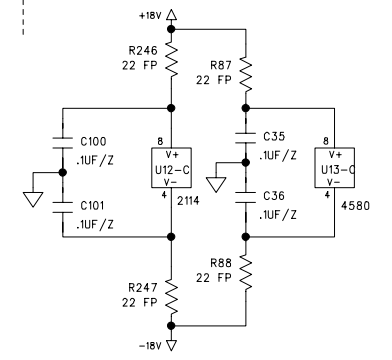
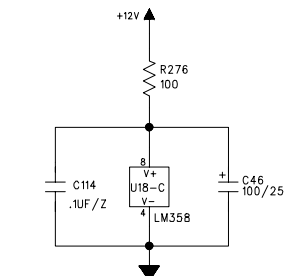
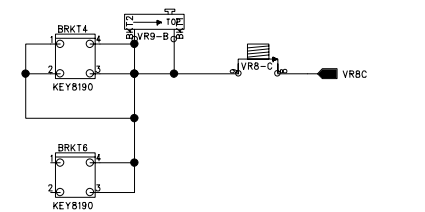
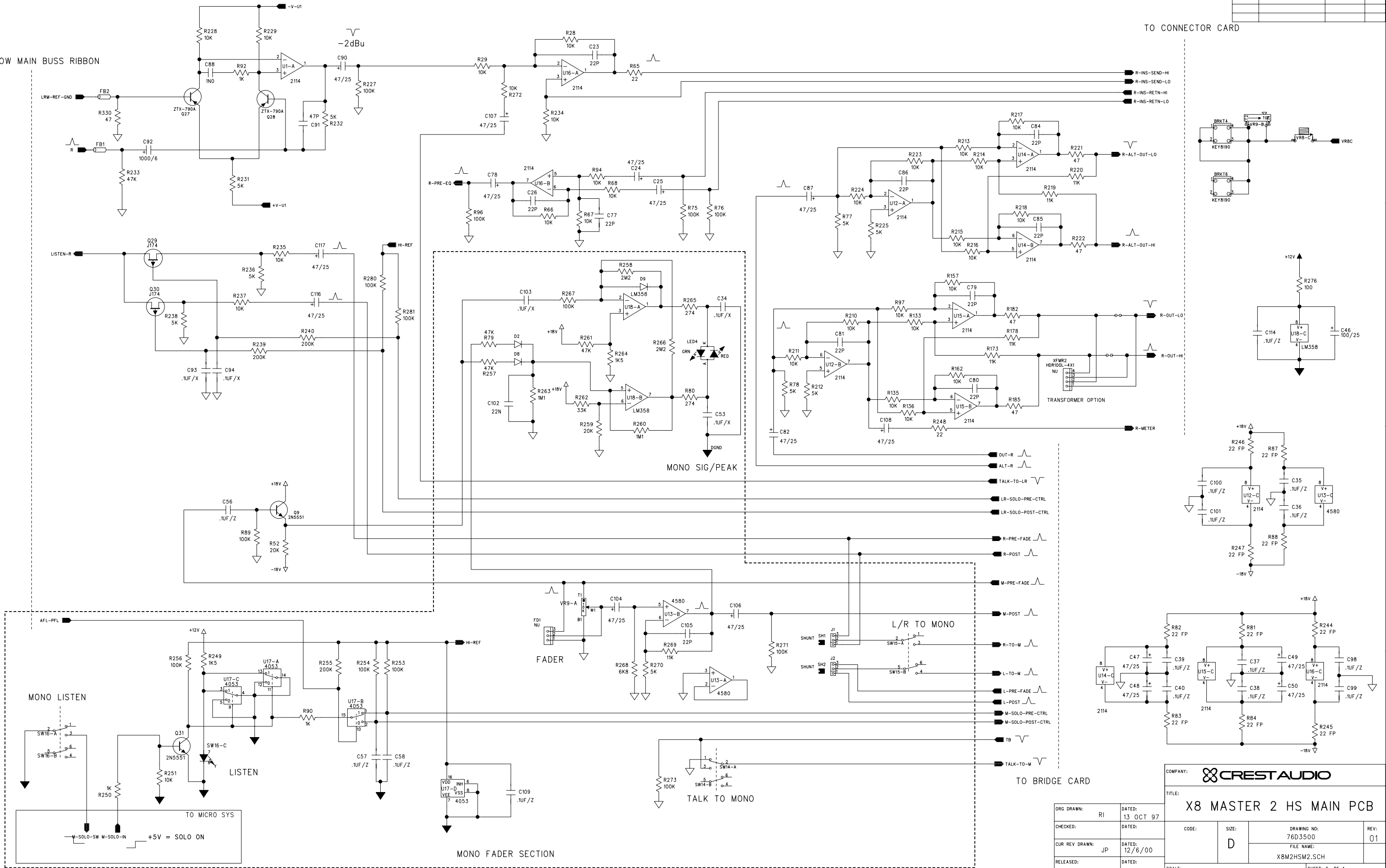
A

D

C

B

A



COMPANY: **CREST AUDIO**

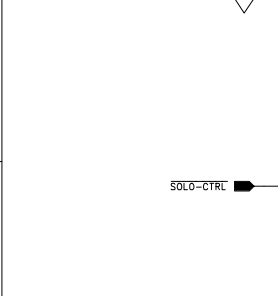
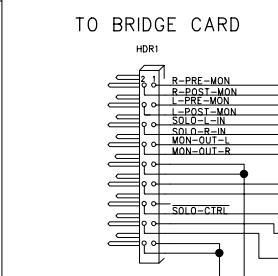
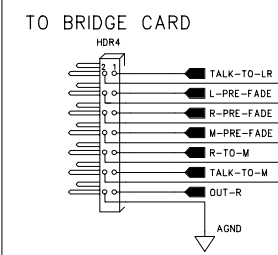
TITLE: **X8 MASTER 2 HS MAIN PCB**

ORG DRAWN: RI	DATED: 13 OCT 97	CODE:	SIZE: D	DRAWING NO: 76D3500	REV: 01
CHECKED:	DATED:			FILE NAME: X8M2HSM2.SCH	
CUR REV DRAWN: JP	DATED: 12/6/00				
RELEASED:	DATED:				

SCALE: SHEET: 3 OF 4

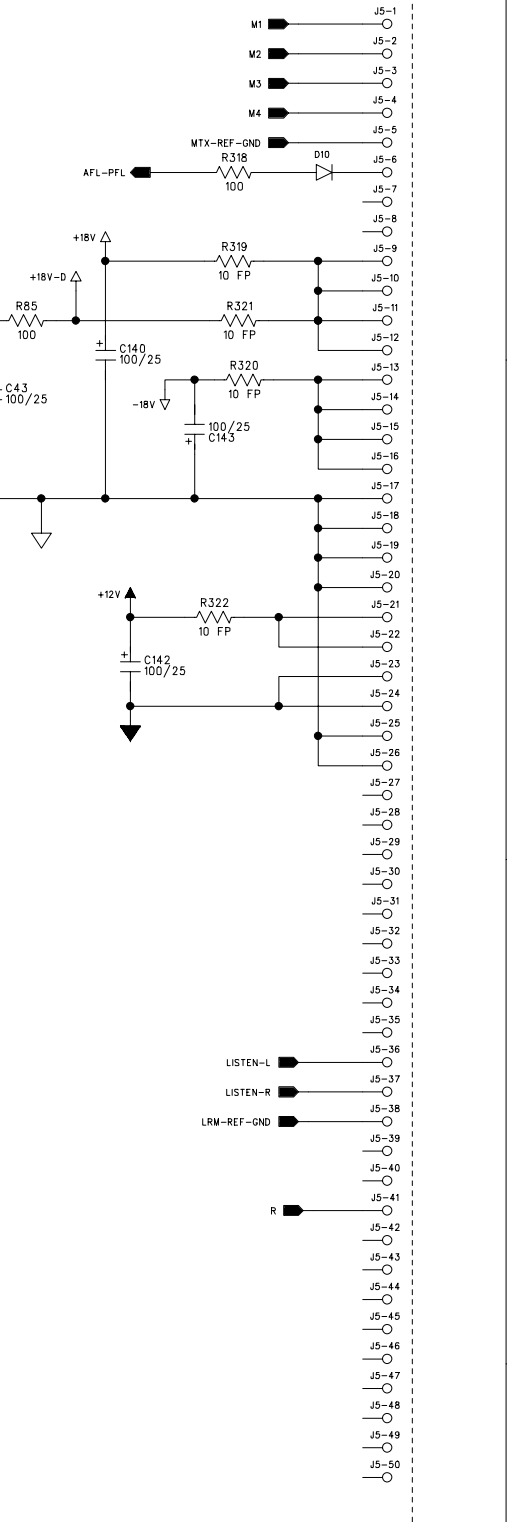
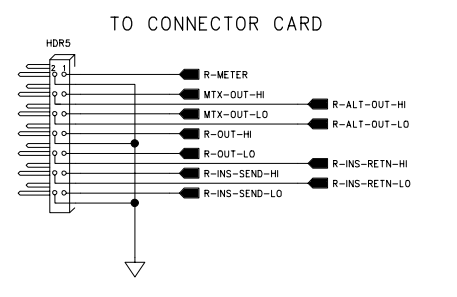
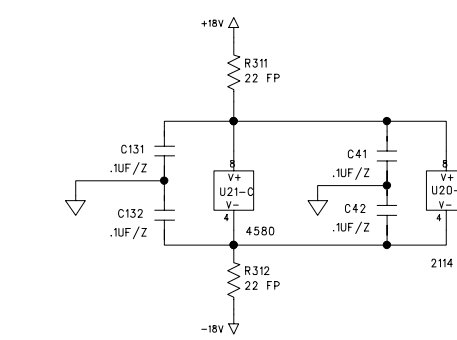
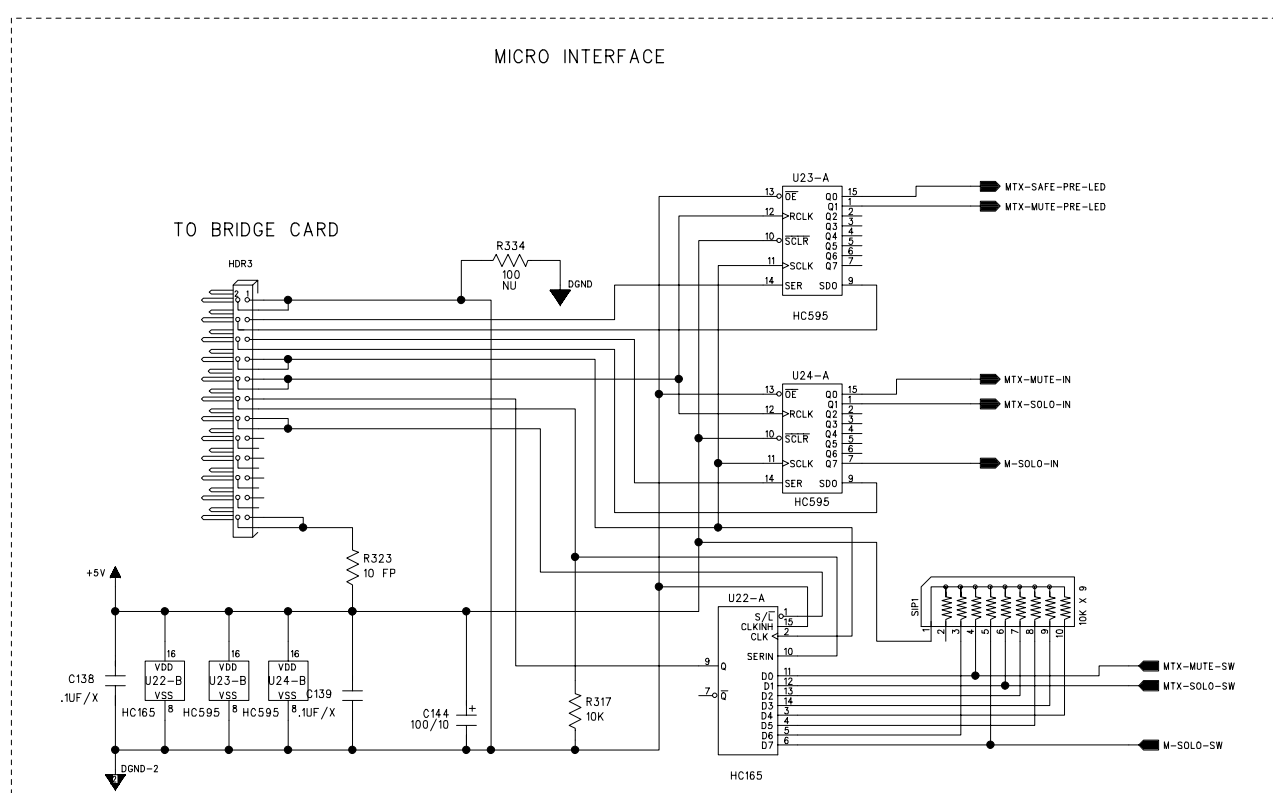
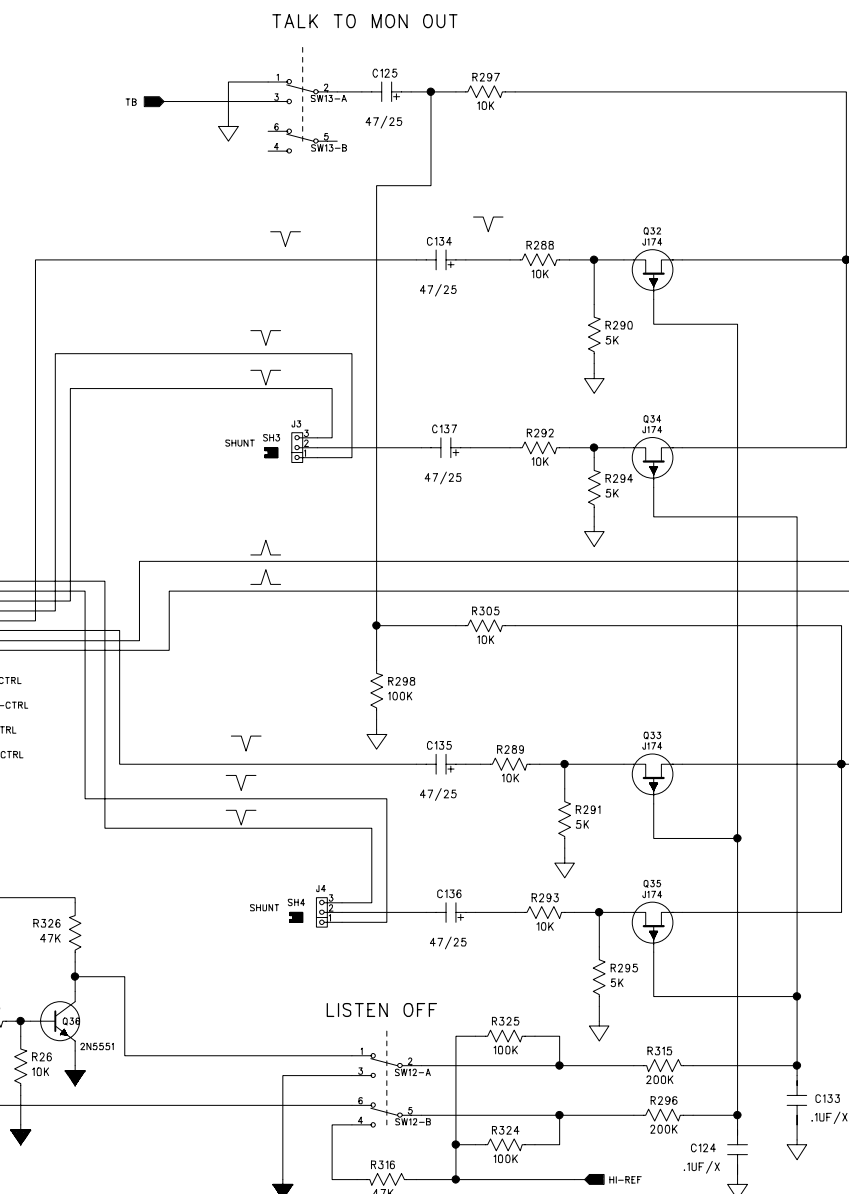
ORG DRAWN: RI	DATED: 13 OCT 97
CHECKED:	DATED:
CUR REV DRAWN: JP	DATED: 12/6/00
RELEASED:	DATED:

REVISION RECORD			
LTR	ECO NO.	APPROVED:	DATE:



REVISION RECORD					
REV LEVEL	ASMBLY LEVEL	DATE	ECO	ENG.	DESCRIPTION
00	A	7/2/99	3497	PSM	- CHANGED PART NUMBER FROM 697-17 TO 697-79. - MICRO CHANGES. MADE R334 (DGND TO DGND-M LINK NOT USED). ADDED RC CIRCUITS TO MONO AND MATRIX SOLO CMDs: R90, C57-58, R49, C54-55. CHANGED SAFE/PREVIEW DECOUPLING: (C60-61). ADDED RC TO MUTE COMMAND: R93, C59. - RECONFIGURED MONO MIX AMP USING LRM-REF-GND. R232: 10K TO 5K C91: 22P TO 47P (GAIN CHANGES FOR NOM. +4DB INPUTS) - CHANGED SOLO RESISTORS TO 10K, 5K SHUNT TO GND. (-2DB NOM SIGNALS) - CHANGED SIG/PEAK CIRCUIT TO PRE CAP (C106 POST MONO FADER) AND ADDED EMITTER FOLLOWER (Q9, C56, R89, R52) TO PRE MONO FADER SIGNAL. - ADDED OPTIONAL TRANSFORMER HEADERS FOR MATRIX AND RIGHT OUTPUTS. - CHANGED FADER BUFFER (U13) FROM NJM2082 TO NJM4580. - ADDED JUMPER (R91) TO POT GROUNDS OF MATRIX SENDS FOR CLEAR RETURN TO GROUND RATHER THAN TO THE FLOOD. - CHANGED R212 AND R225 FROM 10K TO 4K99 ON RIGHT AND RIGHT ALT OUTPUT BALANCED DRIVERS TO IMPROVE DC PERFORMANCE. - CHANGED U21 (MONITOR SELECT BUFFER) FROM NJM2082 TO NJM4580.
01	A	12/6/00	4146	JP	- ADDED BRKT6 BELOW FADER FOR ADDED SUPPORT; METAL ALREADY CHANGED - CHANGED IC DECALS TO NON-SOCKET TYPE (SOCKETS ALREADY REMOVED)

REV LEVEL	ASMBLY LEVEL	DATE	ECO	ENG.	DESCRIPTION



COMPANY: **CREST AUDIO**

TITLE: **X8 MASTER 2 HS MAIN PCB**

ORG DRAWN: RI DATED: 13 OCT 97

CHECKED: RI DATED:

CUR REV DRAWN: JP DATED: 12/6/00

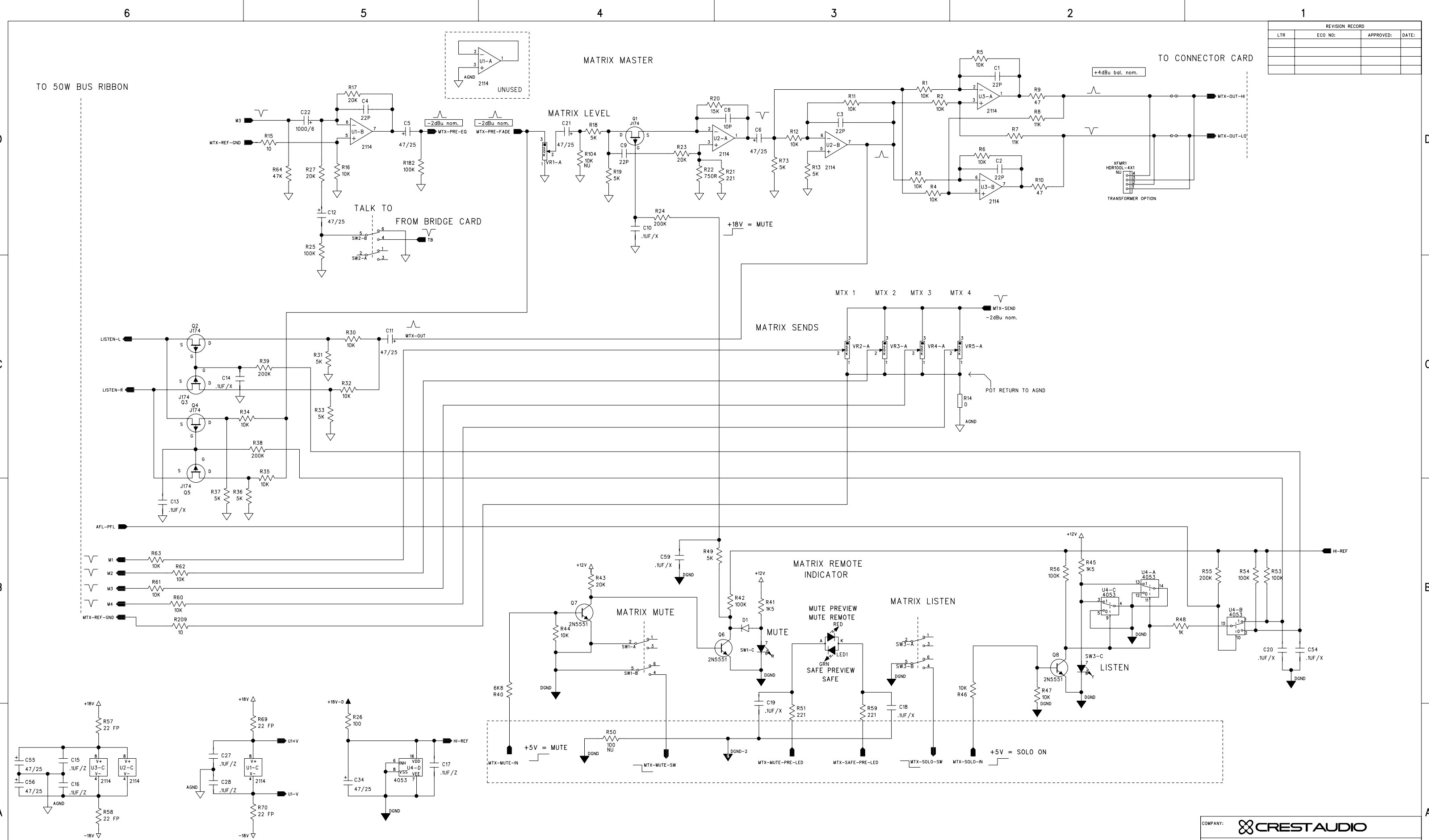
RELEASED: DATED:

CODE: SIZE: DRAWING NO: 76D3500 REV: 01

FILE NAME: X8M2HSM1.SCH

SCALE: SHEET: 4 OF 4

REVISION RECORD			
LTR	ECO NO.	APPROVED:	DATE:



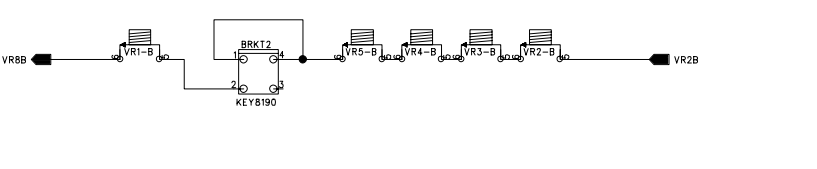
COMPANY: **CREST AUDIO**

TITLE: **X8 MASTER 3 HS MAIN**

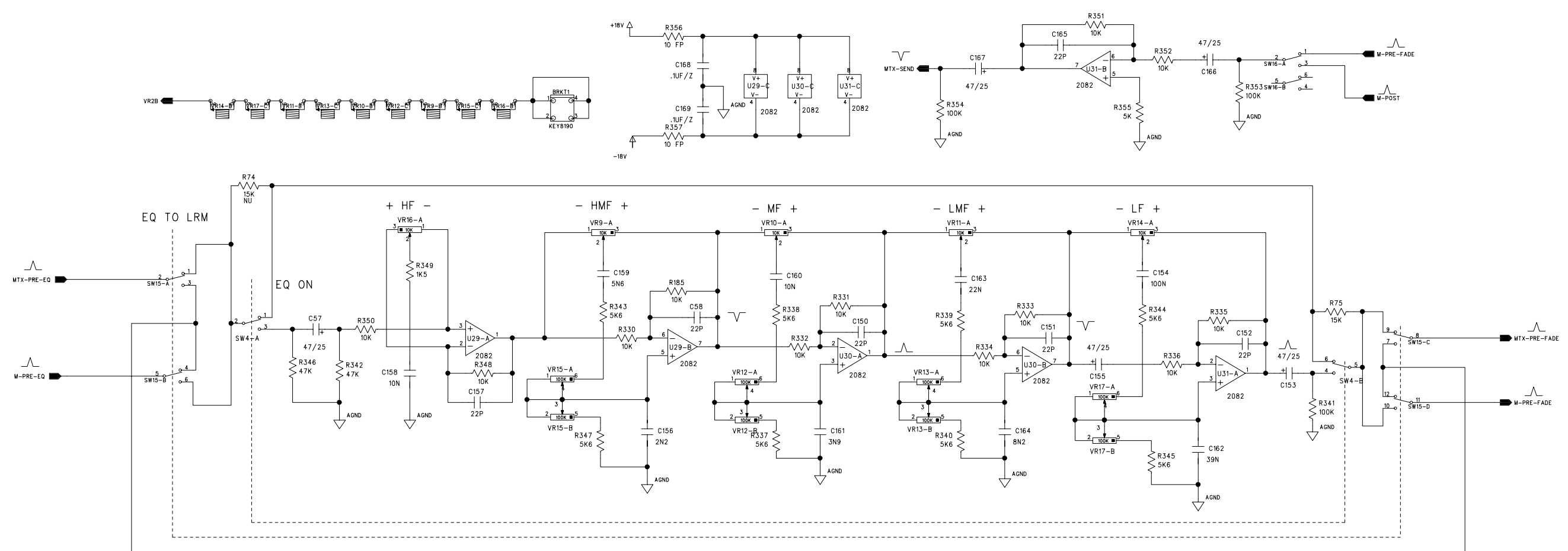
DRAWN: R1	DATED: 13 OCT 97	CODE:	SIZE: D	DRAWING NO: 76D3501	REV: 00
CHECKED:	DATED:			FILENAME: X8M3HSM0.SCH	
CUR. REV. DRAWN: TAZ	DATED: 6/23/99				
RELEASED:	DATED:				

SCALE: SHEET: 1 OF 4

DRAWN: R1	DATED: 13 OCT 97
CHECKED:	DATED:
CUR. REV. DRAWN: TAZ	DATED: 6/23/99
RELEASED:	DATED:



REVISION RECORD			
LTR	ECO NO:	APPROVED:	DATE:



COMPANY: **CREST AUDIO**

TITLE: **X8 MASTER 3 HS MAIN PCB**

ORG DRAWN: R1	DATED: 13 OCT 97	CODE: D	SIZE: D	DRAWING NO: 76D3501	REV: 00
CHECKED:	DATED:			FILE NAME: X8M3HSM0.SCH	
CUR REV DRAWN: TAZ	DATED: 6/23/99				
RELEASED:	DATED:				

SCALE: SHEET: 2 OF 4

REVISION RECORD			
LTR	ECO NO.	APPROVED:	DATE:

50W MAIN BUSS RIBBON

M MASTER

LCR TO MON TO BRIDGE CARD

MONO OUT

ASSTD OUT

TO CONNECTOR CARD

ASSTD OUT PRE/POST SELECT

48V ON OFF

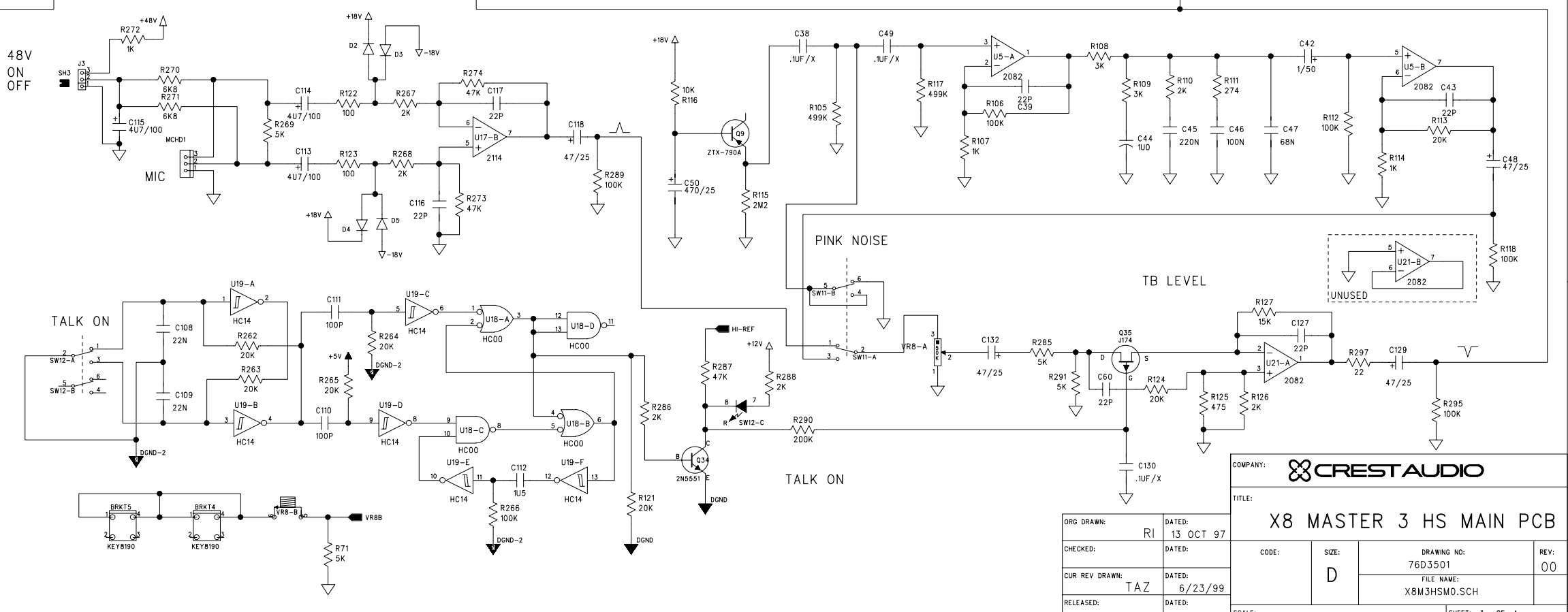
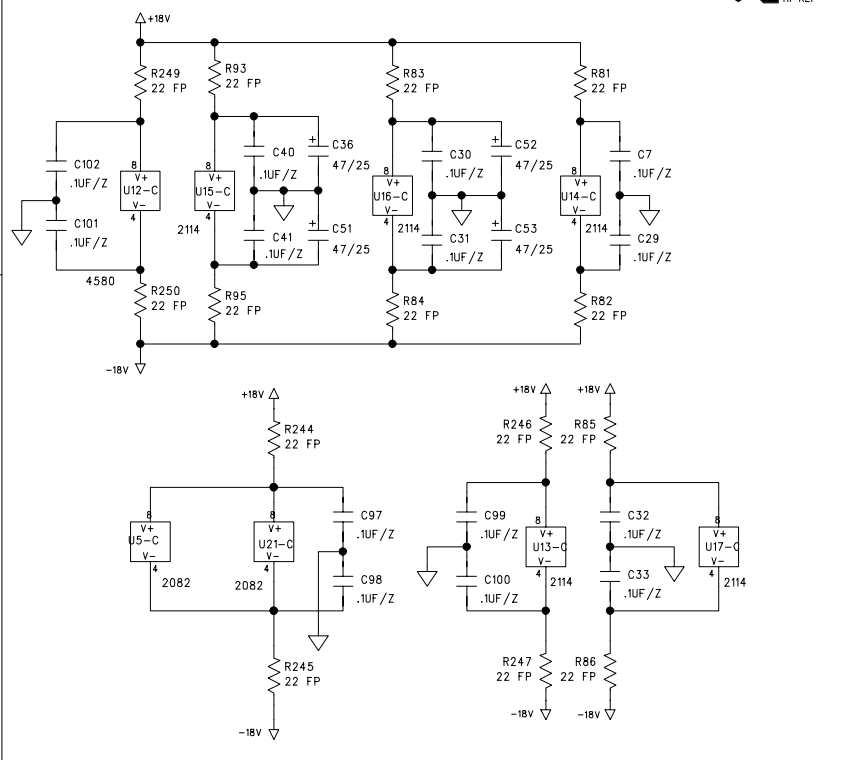
MIC

PINK NOISE

TB LEVEL

TALK ON

TALK ON



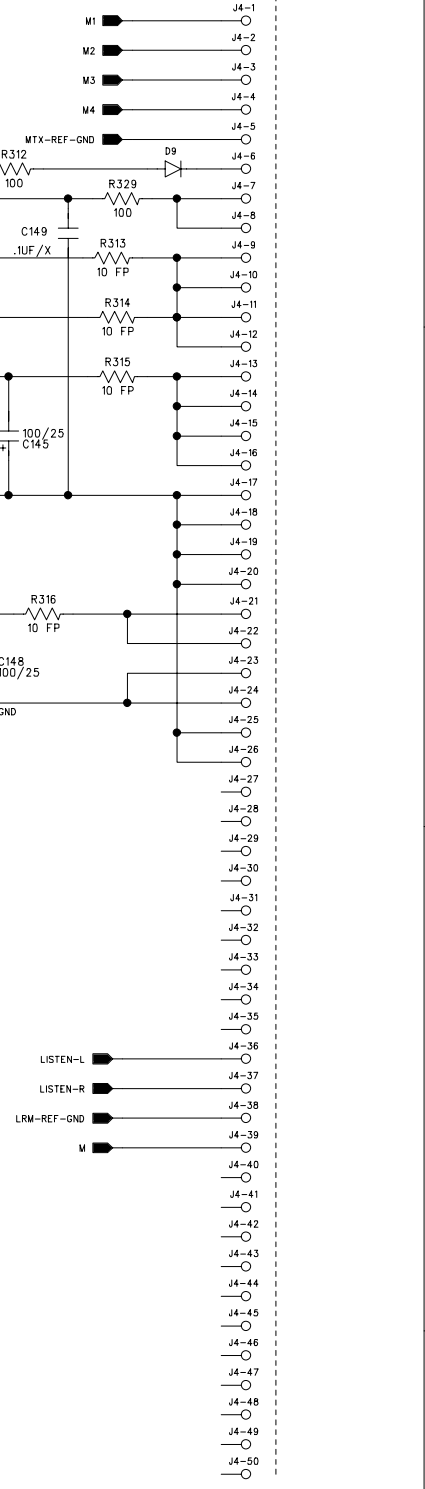
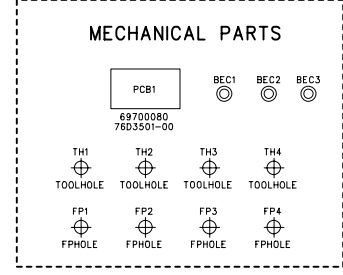
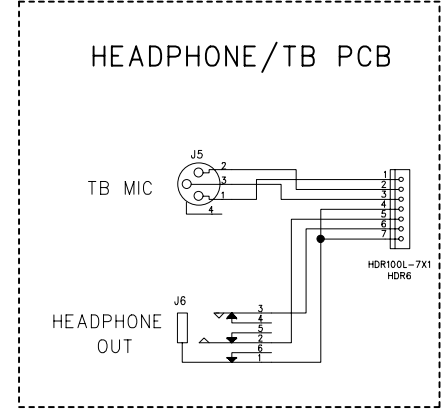
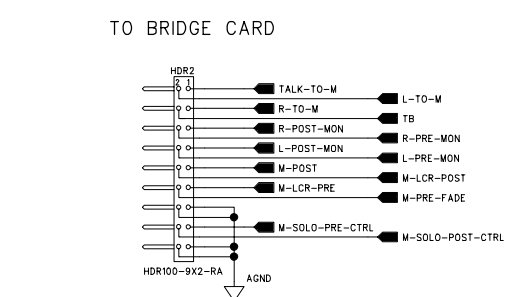
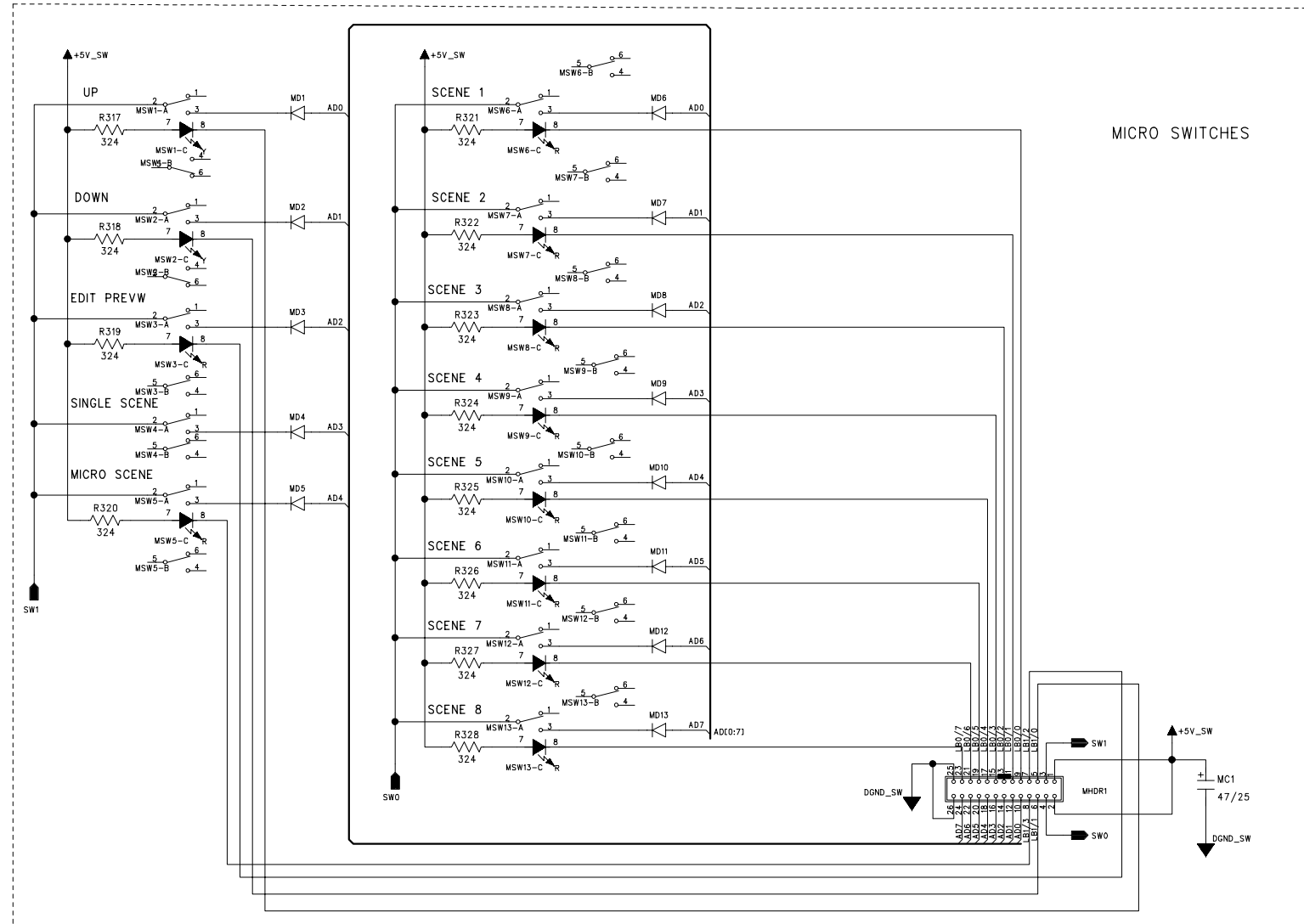
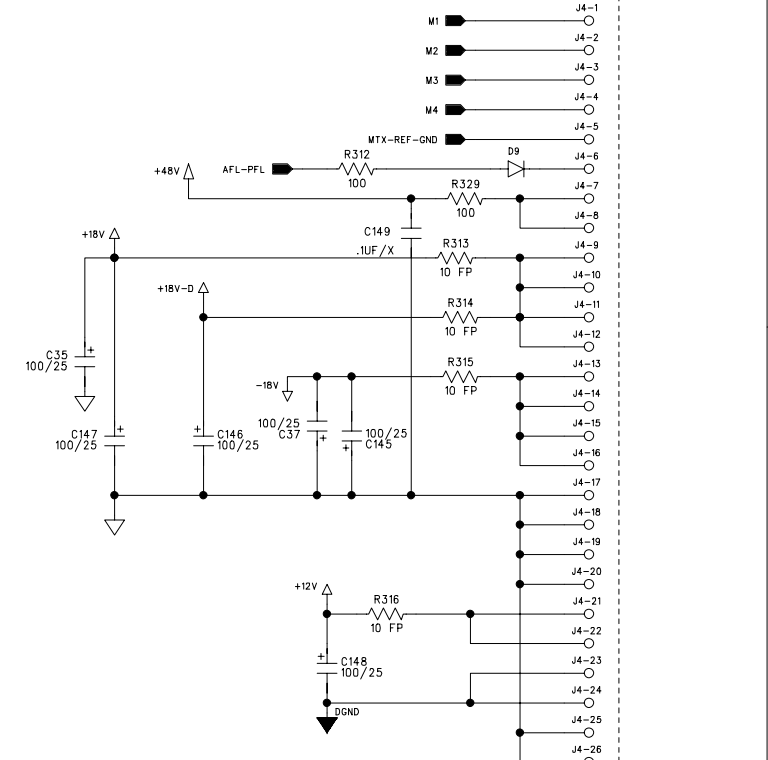
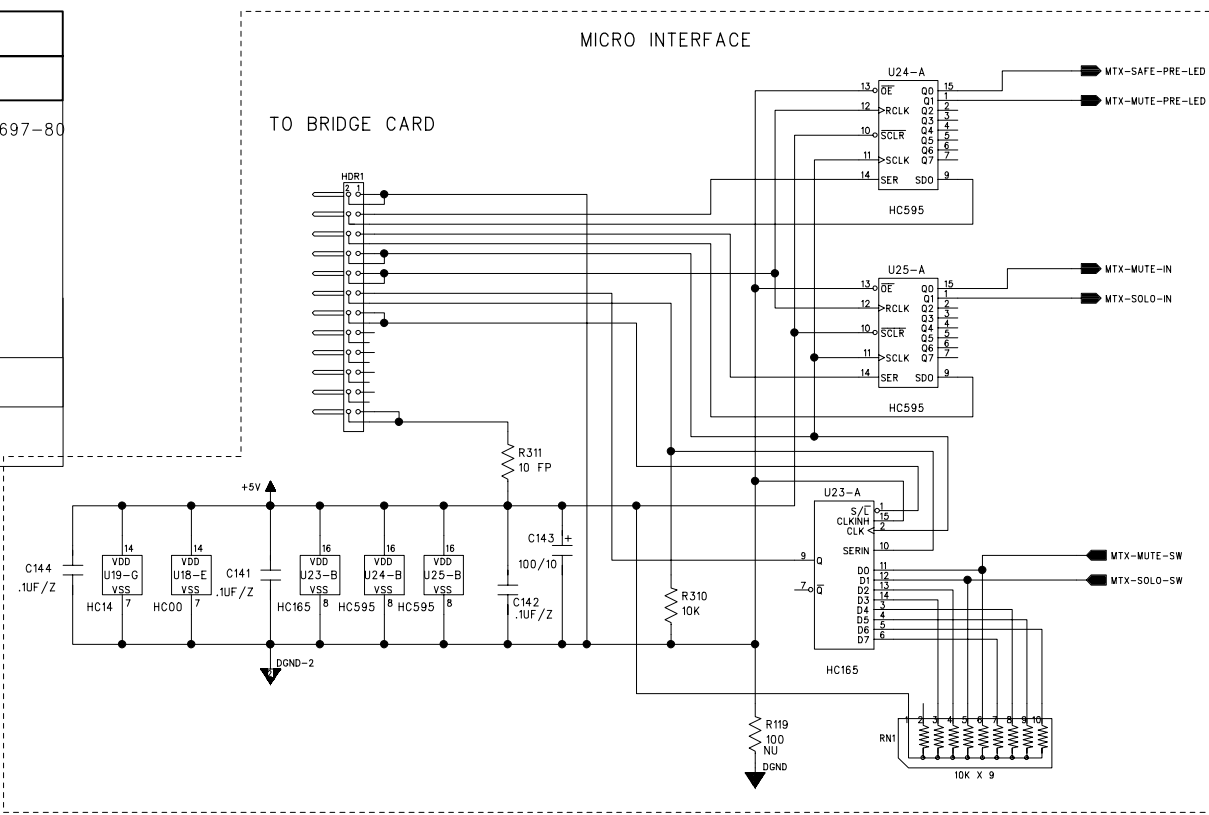
COMPANY: **CREST AUDIO**

TITLE: **X8 MASTER 3 HS MAIN PCB**

ORG DRAWN: RI	DATED: 13 OCT 97	CODE:	SIZE:	DRAWING NO: 76D3501	REV: 00
CHECKED: TAZ	DATED: 6/23/99	FILE NAME: X8M3HSM0.SCH	SHEET: 3 OF 4		

REVISION RECORD					
REV LEVEL	ASMBLY LEVEL	DATE	ECO	ENG.	DESCRIPTION
00	A	6/24/99	EC03475	TAZ	- CHANGE REV FROM D TO 00. PCB PART# CHANGES FROM 697-18 TO 697-80 - CHANGED MONO MIX AMP - CHANGED HEADPHONE/TB HEADERS TO ONE HEADER (7WAY) - GREW PCB BY 0.060" - DECOUPLING TO SAFE/PREVIEW LED'S TO REDUCE MICRO INTERFERENCE. - ADDED R48,R49,C20,C54,C59 TO REDUCE SOLO AND MUTE "CLICKS" - INCREASE IN SOLO ATTENUATION TO REDUCE BLEED TO BUS. - MOVE TB POT (VR8) FROM FEEDBACK OF OP-AMP. - REMOVED TERMINATOR PCB COMPONENTS. - ADDED TB MIC INPUT PROTECTION (D2 - D5, R122, R123). - ADDED MATRIX AND MONO TRANSFORMER OPTIONAL HEADERS.
00	A	9/15/99	EC03606	SLAV	- CHANGED R22 FROM 5K TO 750R
00	B	3/27/01	EC04253	TAZ	- PINK NOISE "MOTOR BOATING" AT HIGH LEVELS - CHANGED C50 FROM 47/25 TO 470/25

REVISION RECORD			
LTR	ECO NO.	APPROVED:	DATE:



COMPANY: CREST AUDIO		TITLE: X8 MASTER 3 HS MAIN PCB	
ORG DRAWN: RI	DATED: 13 OCT 97	CODE:	SIZE: D
CHECKED: TAZ	DATED: 6/23/99	DRAWING NO: 76D3501	REV: 00
CUR REV DRAWN: TAZ	DATED:	FILE NAME: X8M3HS.M0.SCH	
RELEASED:	DATED:	SCALE:	SHEET: 4 OF 4

D

D

C

C

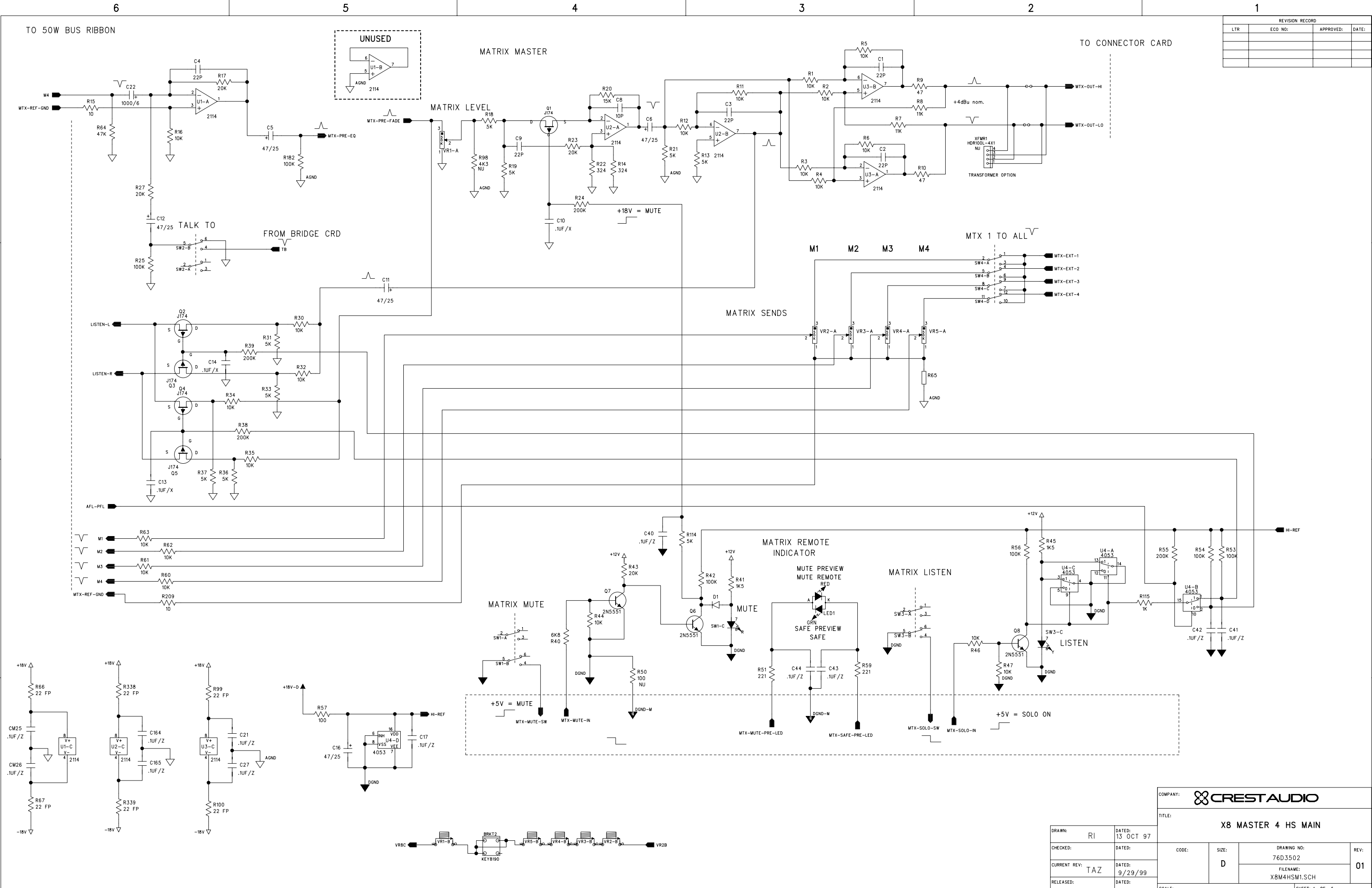
B

B

A

A

REVISION RECORD			
LTR	ECO NO.	APPROVED:	DATE:



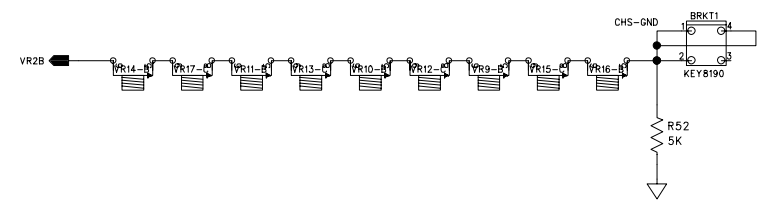
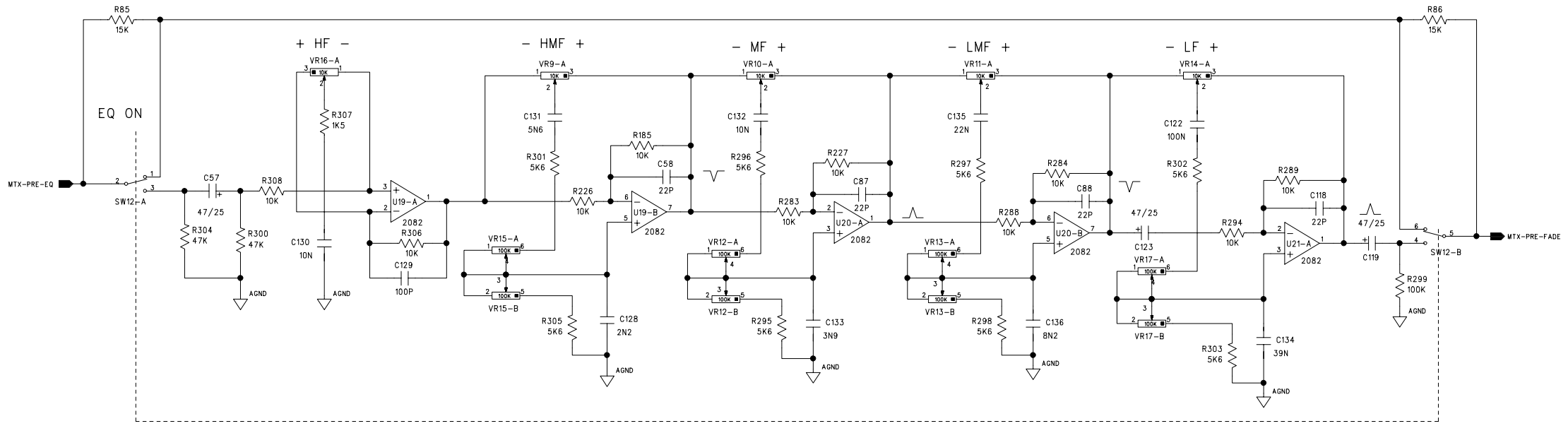
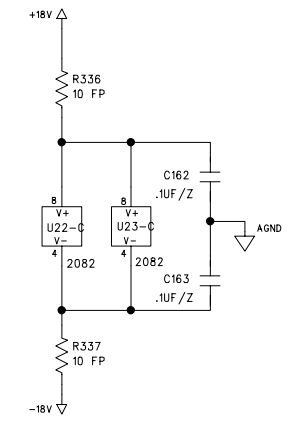
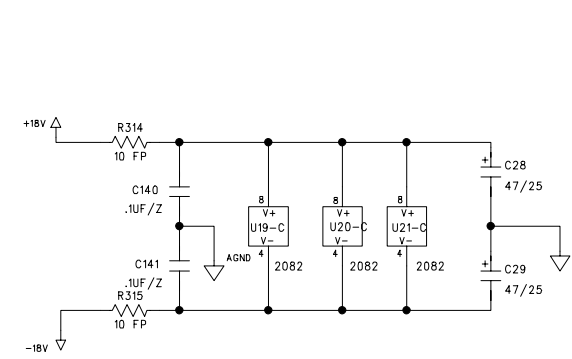
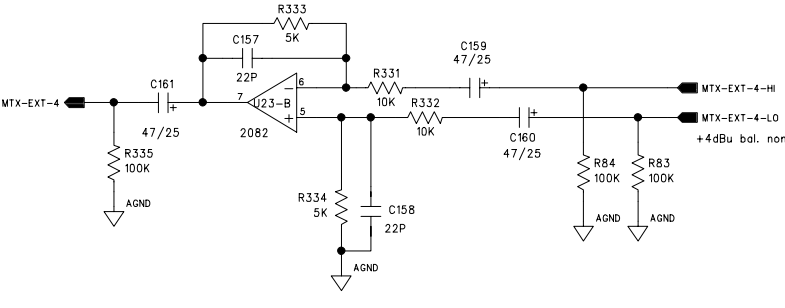
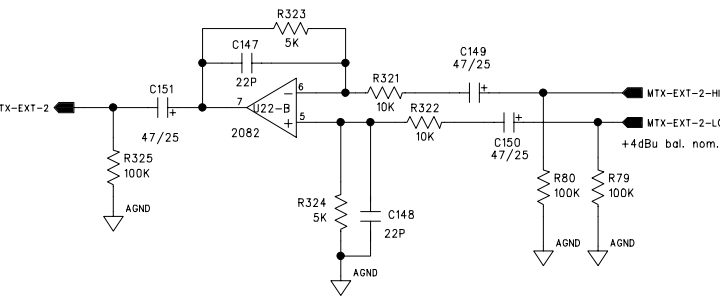
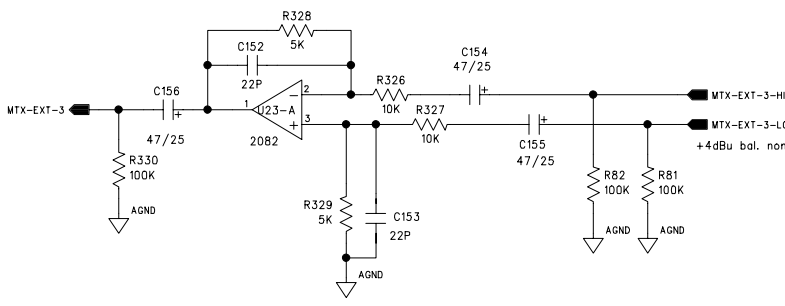
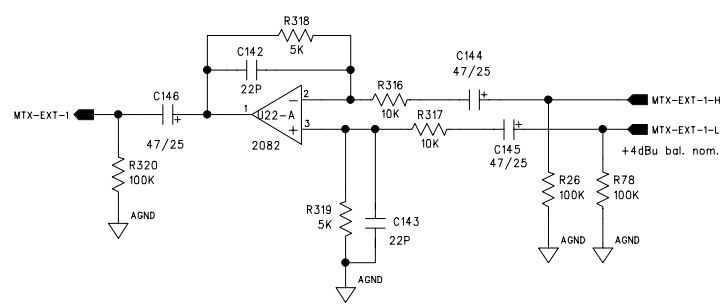
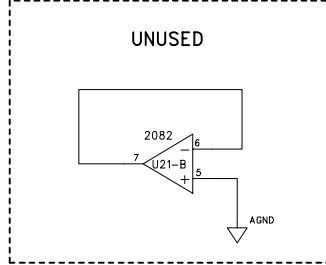
COMPANY: **CREST AUDIO**

TITLE: **X8 MASTER 4 HS MAIN**

DRAWN: RI	DATED: 13 OCT 97	CODE:	SIZE: D	DRAWING NO: 76D3502	REV: 01
CHECKED: TAZ	DATED: 9/29/99			FILENAME: X8M4HSM1.SCH	
CURRENT REV: TAZ	DATED:				
RELEASED:	DATED:				

SCALE: SHEET: 1 OF 5

REVISION RECORD			
LTR	ECO NO.	APPROVED:	DATE:



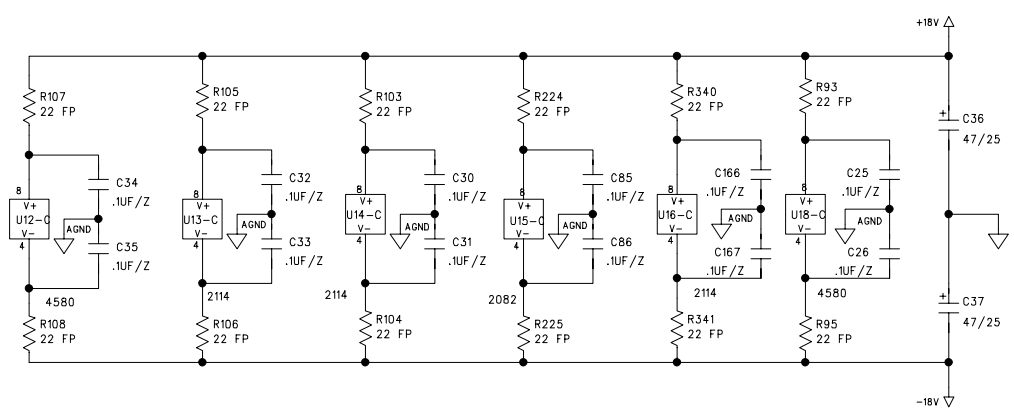
COMPANY: **CREST AUDIO**

TITLE: **X8 MASTER 4 HS MAIN**

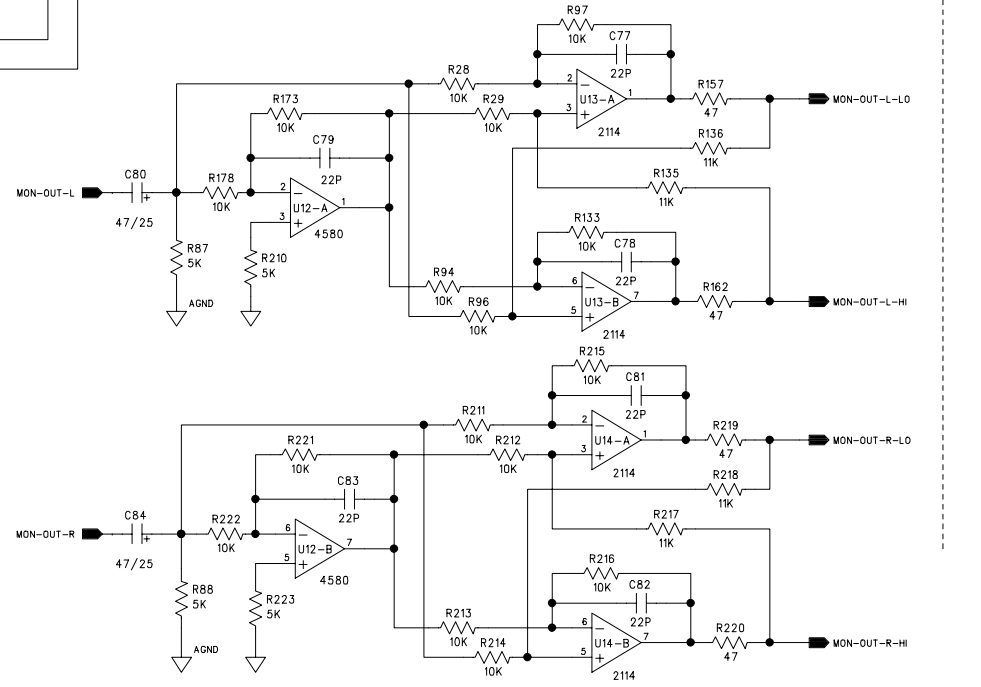
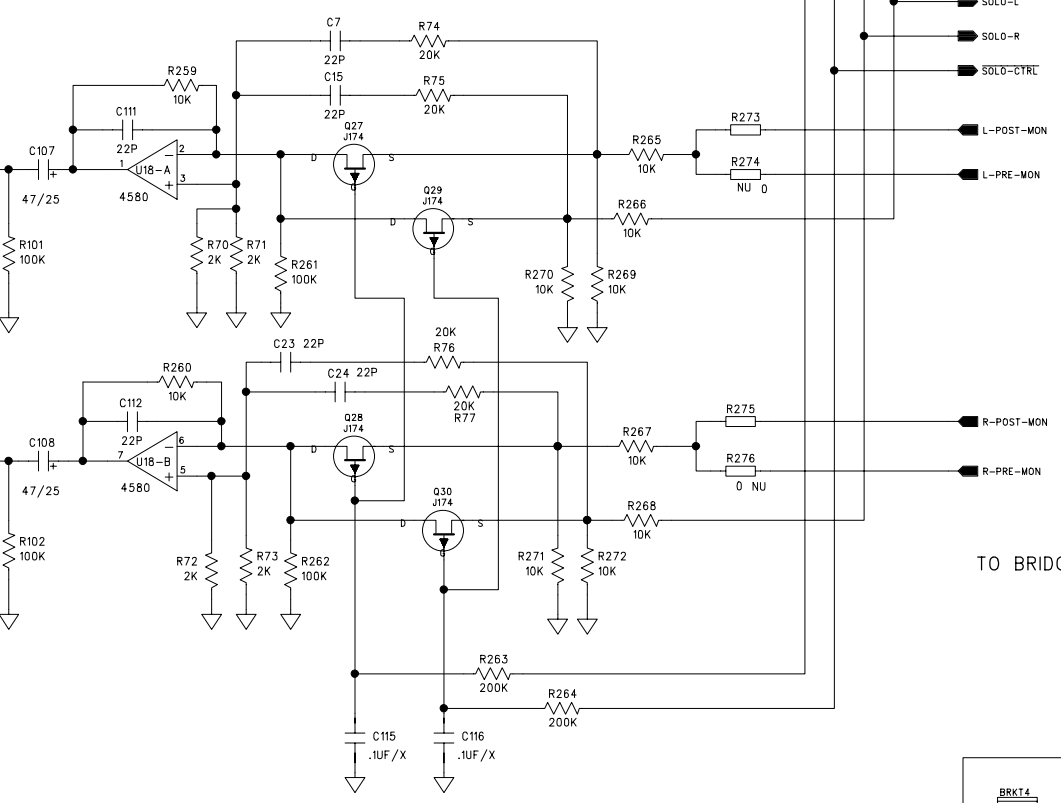
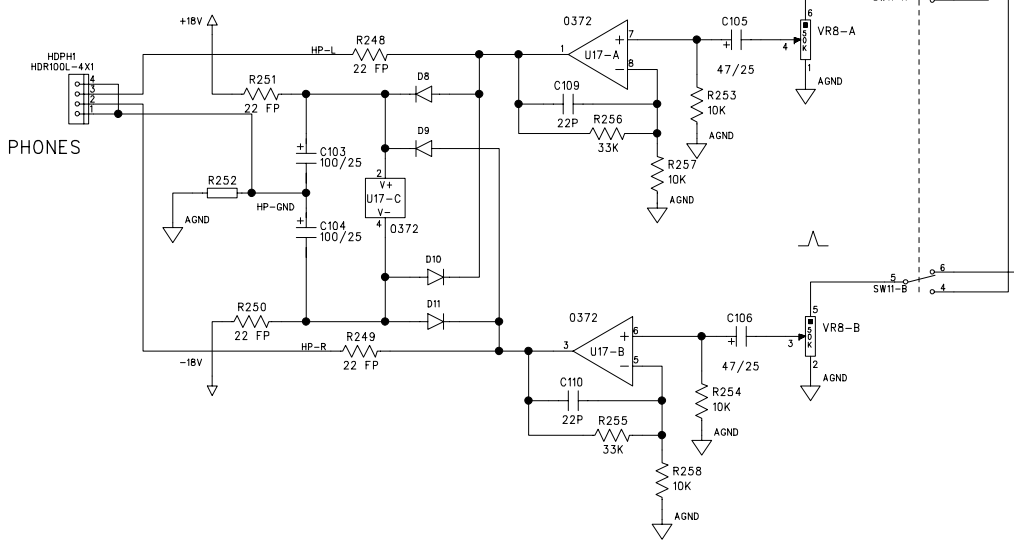
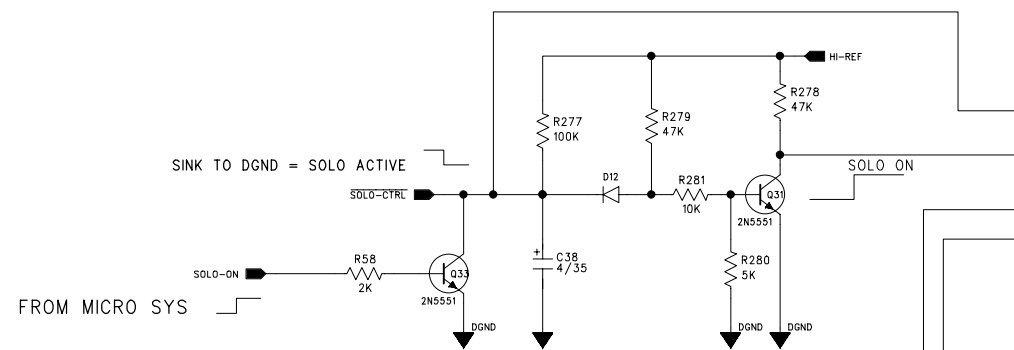
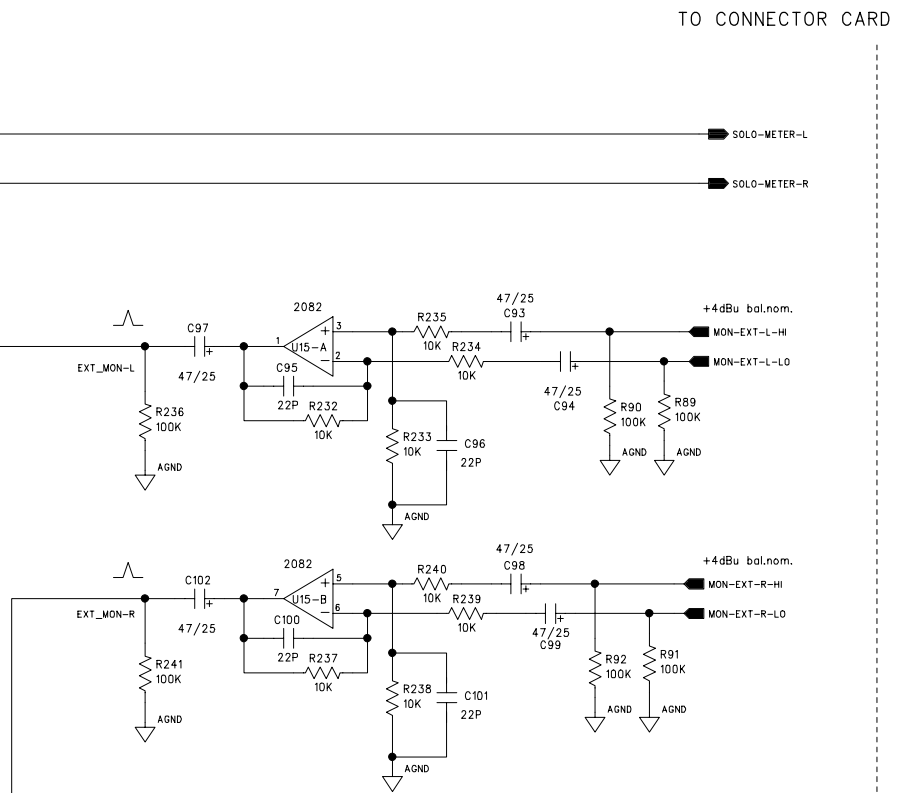
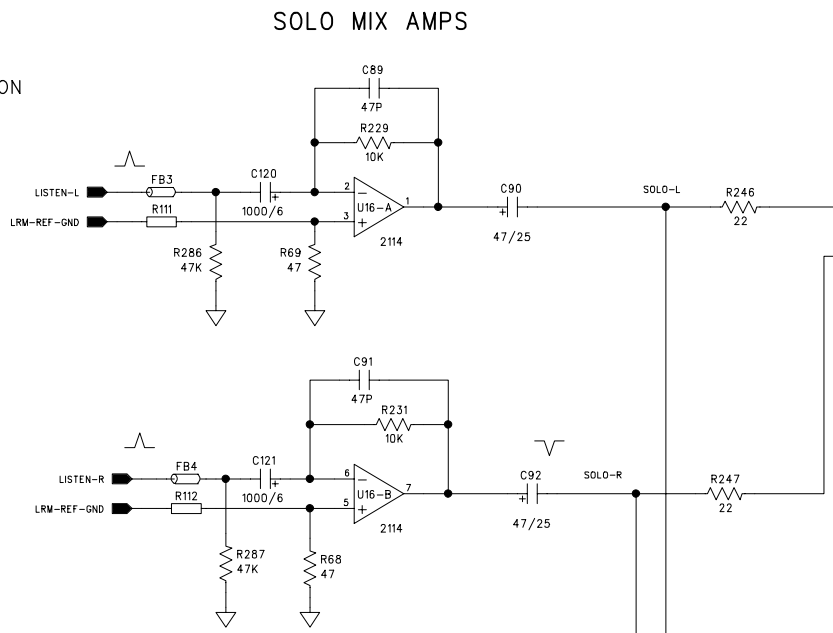
ORG DRAWN: RI	DATED: 13 OCT 97	CODE:	SIZE: D	DRAWING NO: 76D3502	REV: 01
CHECKED:	DATED:			FILE NAME: X8M4HS1.SCH	
CUR REV DRAWN: TAZ	DATED: 9/29/99				
RELEASED:	DATED:				

SCALE: SHEET: 2 OF 5

REVISION RECORD			
LTR	ECO NO:	APPROVED:	DATE:



50W BUS RIBBON



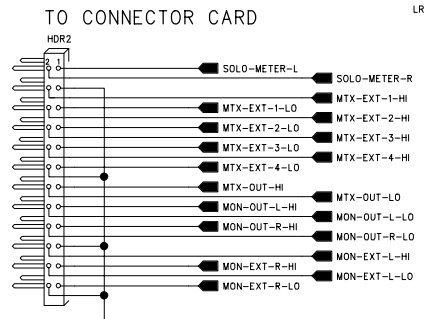
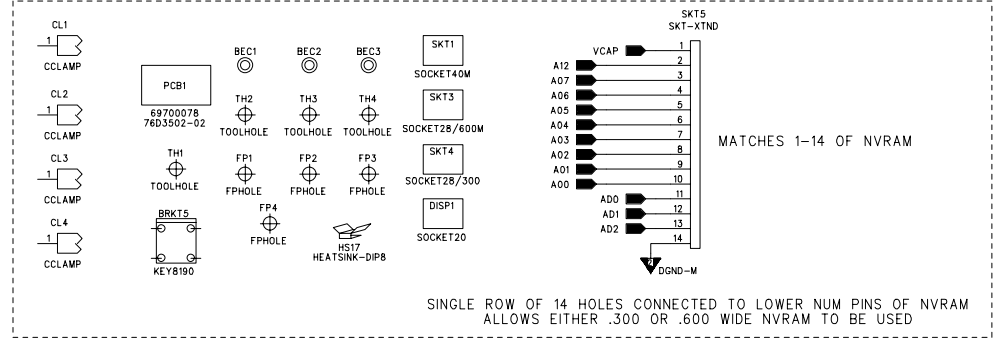
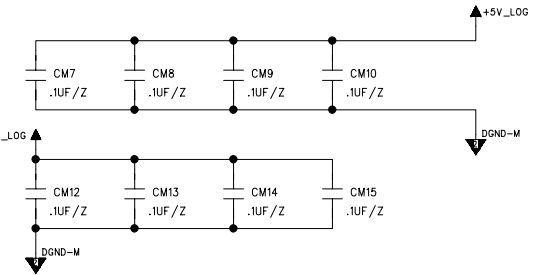
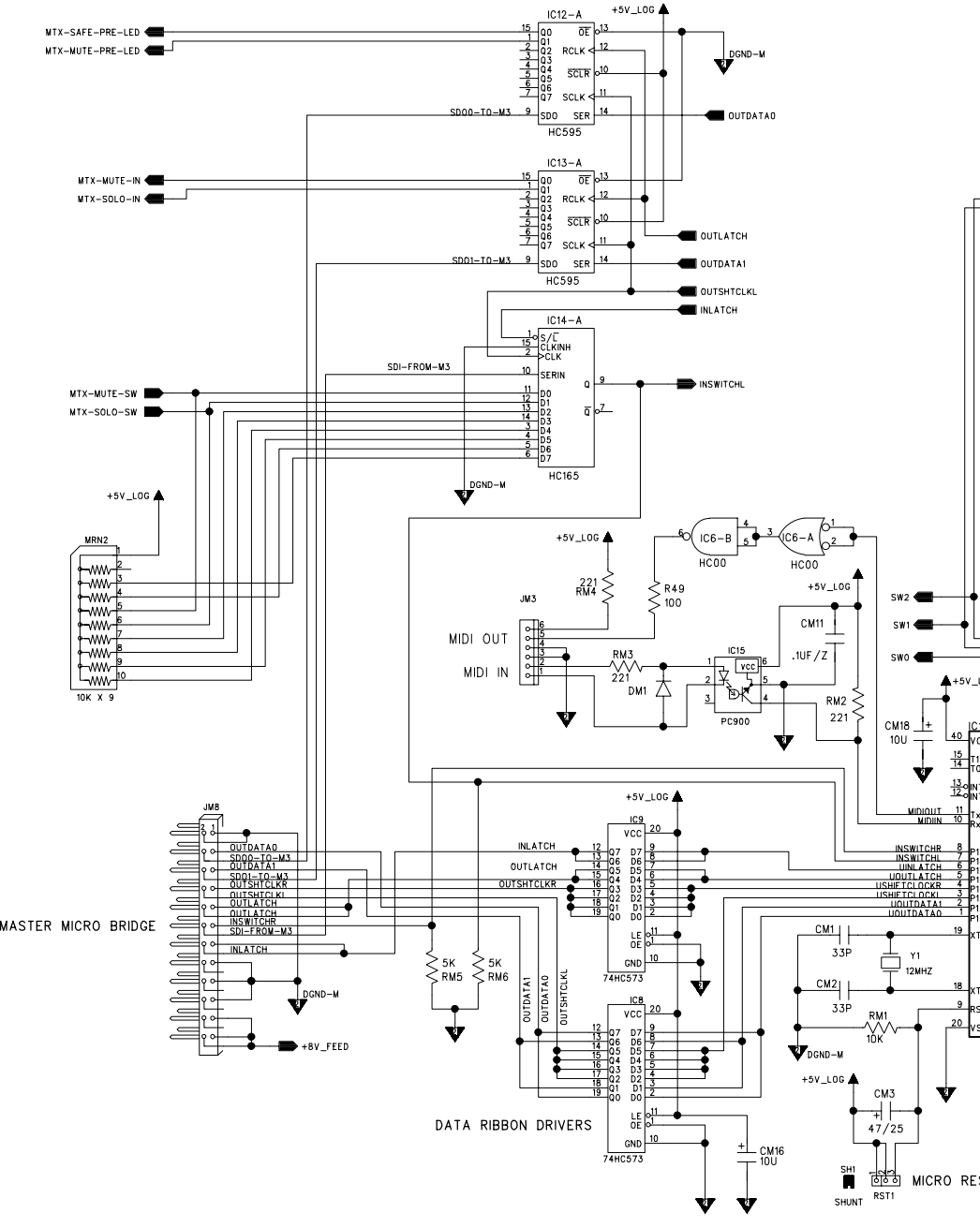
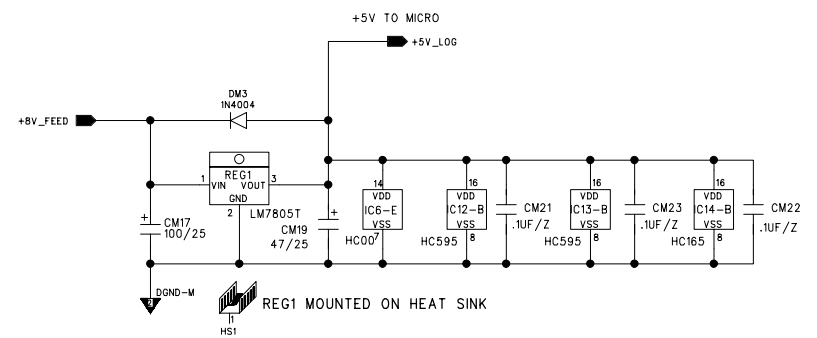
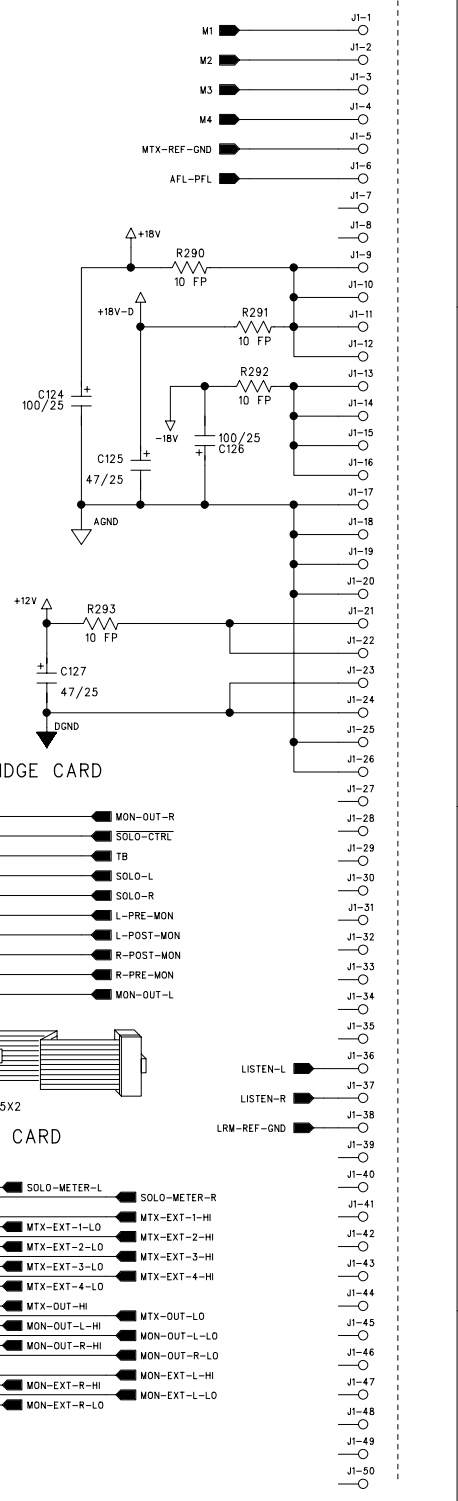
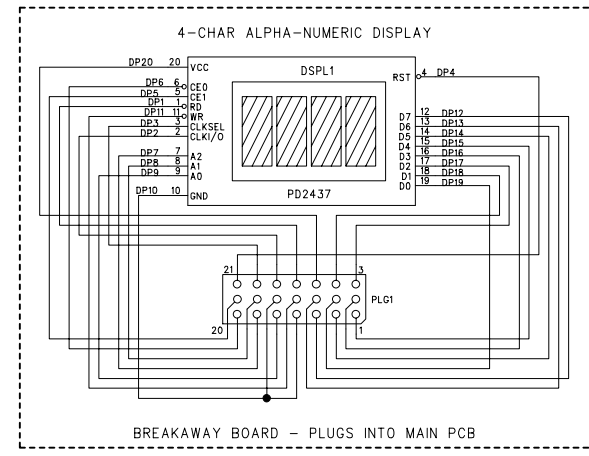
COMPANY: **CREST AUDIO**

TITLE: **X8 MASTER 4 HS MAIN**

ORG DRAWN: RI	DATED: 13 OCT 97	CODE: D	SIZE: D	DRAWING NO: 76D3502	REV: 01
CHECKED: TAZ	DATED: 6/29/99			FILE NAME: X8M4HSM1.SCH	
CUR REV DRAWN: TAZ	DATED: 6/29/99	SCALE:			
RELEASED:	DATED:				

SHEET: 3 OF 5

REVISION RECORD			
LTR	ECO NO.	APPROVED:	DATE:



COMPANY: CREST AUDIO		TITLE: X8 MASTER 4 HS MAIN	
ORG DRAWN: RI	DATED: 13 OCT 97	CODE: D	SIZE: 76D3502
CHECKED: TAZ	DATED: 9/29/99	DRAWING NUMBER: 76D3502	REV: 01
CUR REV DRAWN: TAZ	DATED: 9/29/99	FILE NAME: X8M4HS1.SCH	
RELEASED:	DATED:	SCALE:	SHEET: 4 OF 5

D

C

B

A

D

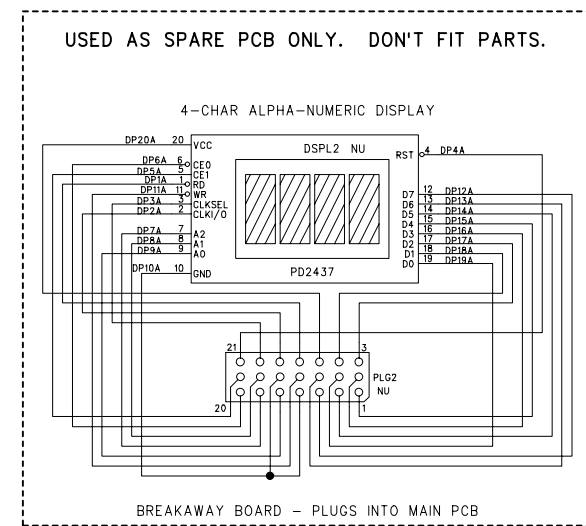
C

B

A

REVISION RECORD			
LTR	ECO NO.	APPROVED:	DATE:

REVISION RECORD					
REV LEVEL	ASMBLY LEVEL	DATE	ECO	ENG.	DESCRIPTION
D	A	9/4/98	3065	PSM	- C38: 47U TO 4U7. SOLO OFF TIME WAS TOO LONG.
00	A	6/23/99	3468	PSM	- CHANGED PART NUMBER FROM 697-19 TO 697-78 - CHANGED SOLO RESISTORS. R30, 32, 34-35: 20K0 TO 10K0, R31, 33, 36-37: 10K0 TO 4K99. - MICRO CHANGES. REMOVED C18, C19, C20 FROM MATRIX MICRO SECTION. REMOVED R48, R49, R52 FROM MATRIX MICRO SECTION. ADDED C43-44 U1/CZAM TO DGND-M, ADDED R114 AND C40 TO MUTE COMMAND ADDED R115, C41 AND C42 TO SOLO COMMANDS. CHANGED MSW2 TO RED LED SWITCH (VISUAL INDICATOR FOR AFL/PFL) ADDED FERRITE BEADS TO LEFT AND RIGHT SHIFTCLOCK SIGNALS. REMOVED Z1, TEST1 AND RECT1 FROM +8V SUPPLY SECTION. (NOT USED) - REMOVED IC SOCKETS (EXCEPT FOR LARGE MICRO CHIPS) - CHANGED AFL/PFL DRIVER. DELETED CM18, C117 R285. ADDED R110 (1K0) TO EMITTER OF Q32, ADDED C18 (4U7) TO BASE OF Q32 CHANGED R282 FROM 47K TO 100K -CHANGED SOLO MIX AMPS. R229 & 231 20K0 TO 10K0, C89 & C91: 22P TO 47P, R68-69: 2K0 TO 47R5, ADDED FERRITE BEADS TO SOLO MIX BUS (IN SERIES) AND CONNECTED LRM-REF-GND TO NON-INV INPUT OF U16A AND U16B. - ADDED MATRIX TRANSFORMER OPTIONAL HEADER (XFMR1)
00	A	9/15/99	3606	SLAV	- CHANGED MUTE TRIM RESISTORS. R14: NU, R22: 221R TO 324R.
00	B	9/28/99	3628	TAZ	- CHANGED AFL/PFL DRIVE CIRCUITRY R282 = 20K0 (FROM 100K0) ADDED R48
01	A	9/29/99	3631	TAZ	- REV00 TO REV01 TO FIX AFL/PFL DRIVE PROBLEMS BEING DONE MANUALLY.
01	B	7/05/00	3976	TAZ	- MICRO COMMUNICATION PROBLEMS ON NEW LARGER FRAMES (64 WAY) - CHANGE FB1 AND FB2 TO OR RESISTORS.
01	C	5/9/01	4315	TAZ	- ADDED ADDITIONAL DRIVE IC FOR MICRO DATA (IC9, 74HC573) TO BE HAND - MODIFIED BY "PIGGY BACKING"ON TOP OF IC8
02	A	10/23/00	4091	JP	- CHANGED NVRAM (IC4) TO NARROW BODY STYLE - ADDED EXTRA GND & PWR PINS TO JM8 (FROM MICRO BRIDGE) - CHANGED MIDI HEADER TO STRAIGHT TYPE & MOVED POSITION - ADDED ADDITIONAL DECOUPLING CAPS (TANT) - ADDED R52 TO TIE POT BRACKETS TO AGND, ADDED CLAMPS FOR MIDI WIRE



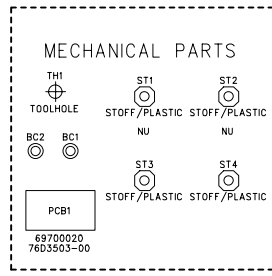
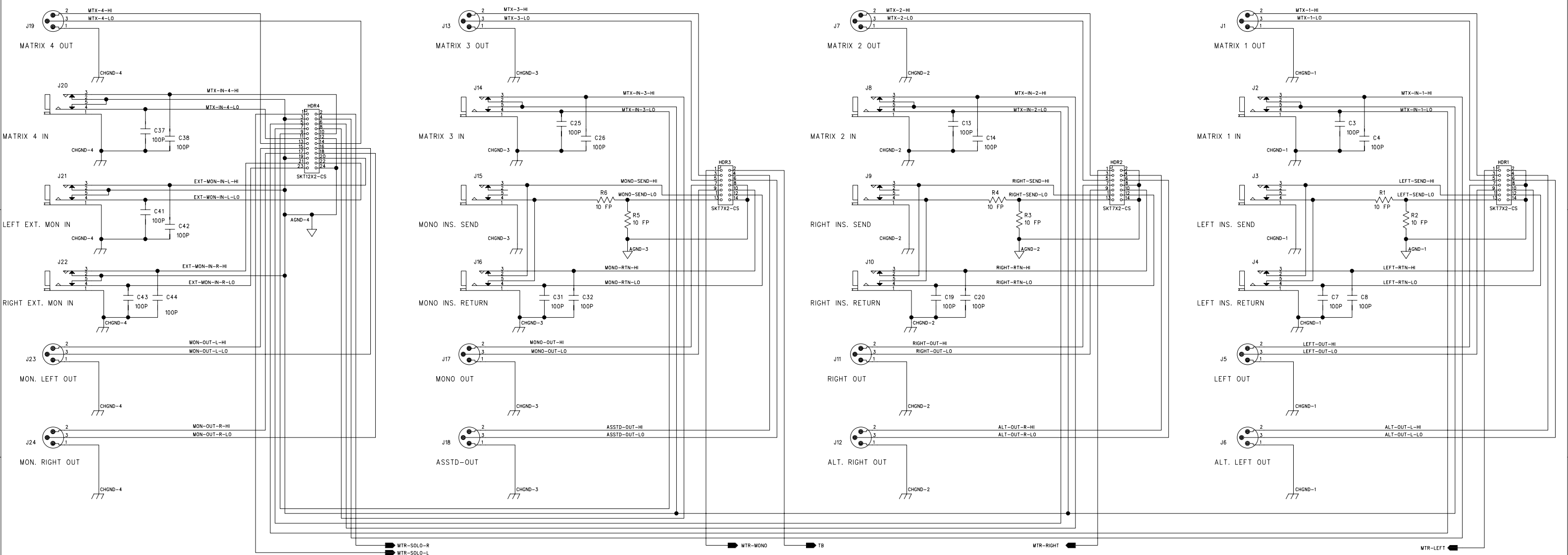
COMPANY:		CREST AUDIO	
TITLE:			
X8 MASTER 4 HS MAIN			
ORG DRAWN:	JRP	DATED:	3 MAR 97
CHECKED:		DATED:	
CUR REV DRAWN:	TAZ	DATED:	9/29/99
RELEASED:		DATED:	
CODE:	D	SIZE:	
DRAWING NO:	76D3502	REV:	01
FILE NAME:	X8M4HSM1.SCH	SCALE:	
SHEET: 5 OF 5			

MASTER 4

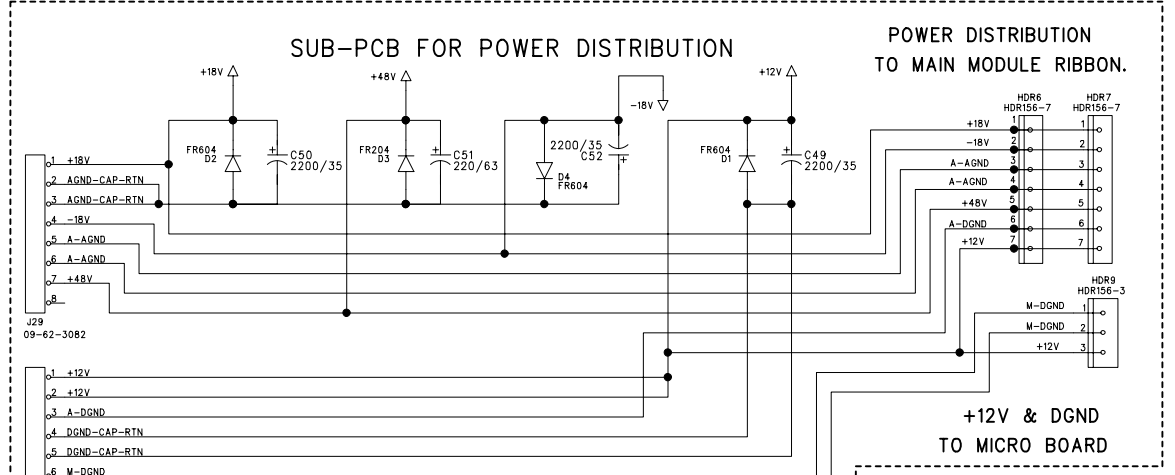
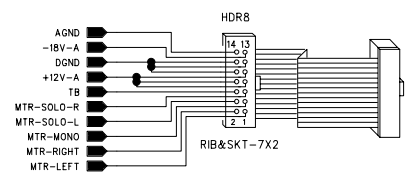
MASTER 3

MASTER 2

MASTER 1



TO GROUP 5-8 CONNECTOR



REVISION RECORD					
REV LEVEL	ASMBLY LEVEL	DATE	ECO	ENG.	DESCRIPTION
C	A	10/30/98	3112	PSM	CHANGE ALL 22R-FP RESISTORS TO 10R-FP RESISTORS. (MUST MATCH IMP. ON EACH LEG OF THE PSEUDO BAL. CIRCUIT)
00	A	3/9/99	3201	PSM	CHANGE ALL 1/4" JACKS FROM M505-45G TO TRS-11J1393 REMOVE ALL LINK-X TRANSFORMER CONNECTIONS. REMOVE NU STATUS FROM C4,C8,C14,C20,C26,C32,C38,C42,C44 ADD PLASTIC STANDOFFS FOR SUB-PCB

COMPANY: **CREST AUDIO**

TITLE: **X8 MASTER HS CONNECTOR**

DRAWN: PSM DATED: 12/18/97

CHECKED: DATED:

CUR. REV. DRAWN: PSM DATED: 3/9/99

RELEASED: DATED:

CODE: SIZE: DRAWING NO: 76D3503 REV: 00

FILENAME: X8MSHSCO.SCH

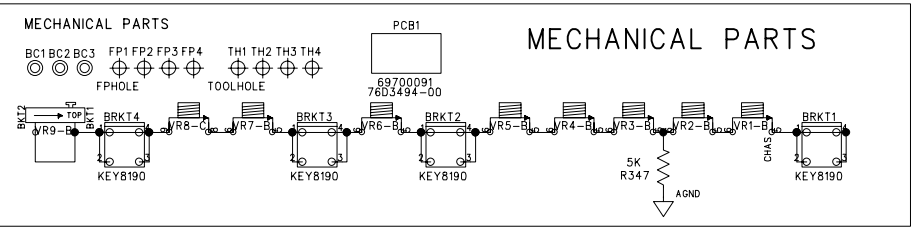
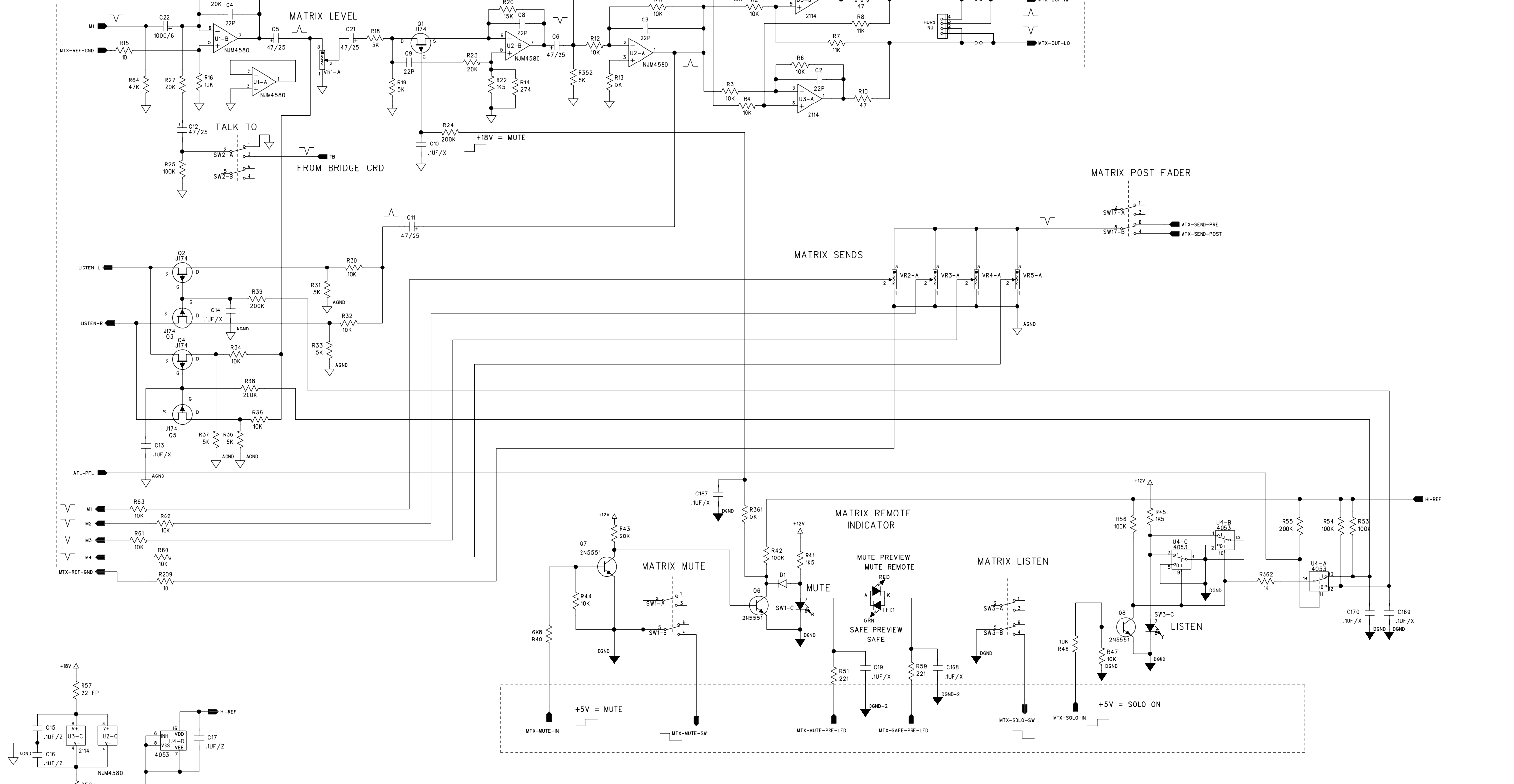
SCALE: SHEET: 1 OF 1

REVISION RECORD			
LTR	ECO NO.	APPROVED:	DATE:

MATRIX MASTER

TO CONNECTOR CARD

TO 50W BUS RIBBON



COMPANY: **CREST AUDIO**

TITLE: **X8 MASTER 1 RT MAIN PCB**

DRAWN: R1/TAZ	DATED: 1/19/98	DRAWING NO: 76D3494-00	REV: 0
CHECKED:	DATED:	FILE NAME: X8M1RTM0.SCH	
QUALITY CONTROL: PSM	DATED: 5/19/00		
RELEASED:	DATED:	SCALE:	SHEET: 1 OF 5

REVISION RECORD			
LTR	ECO NO.	APPROVED:	DATE:

AUX MASTER UPPER

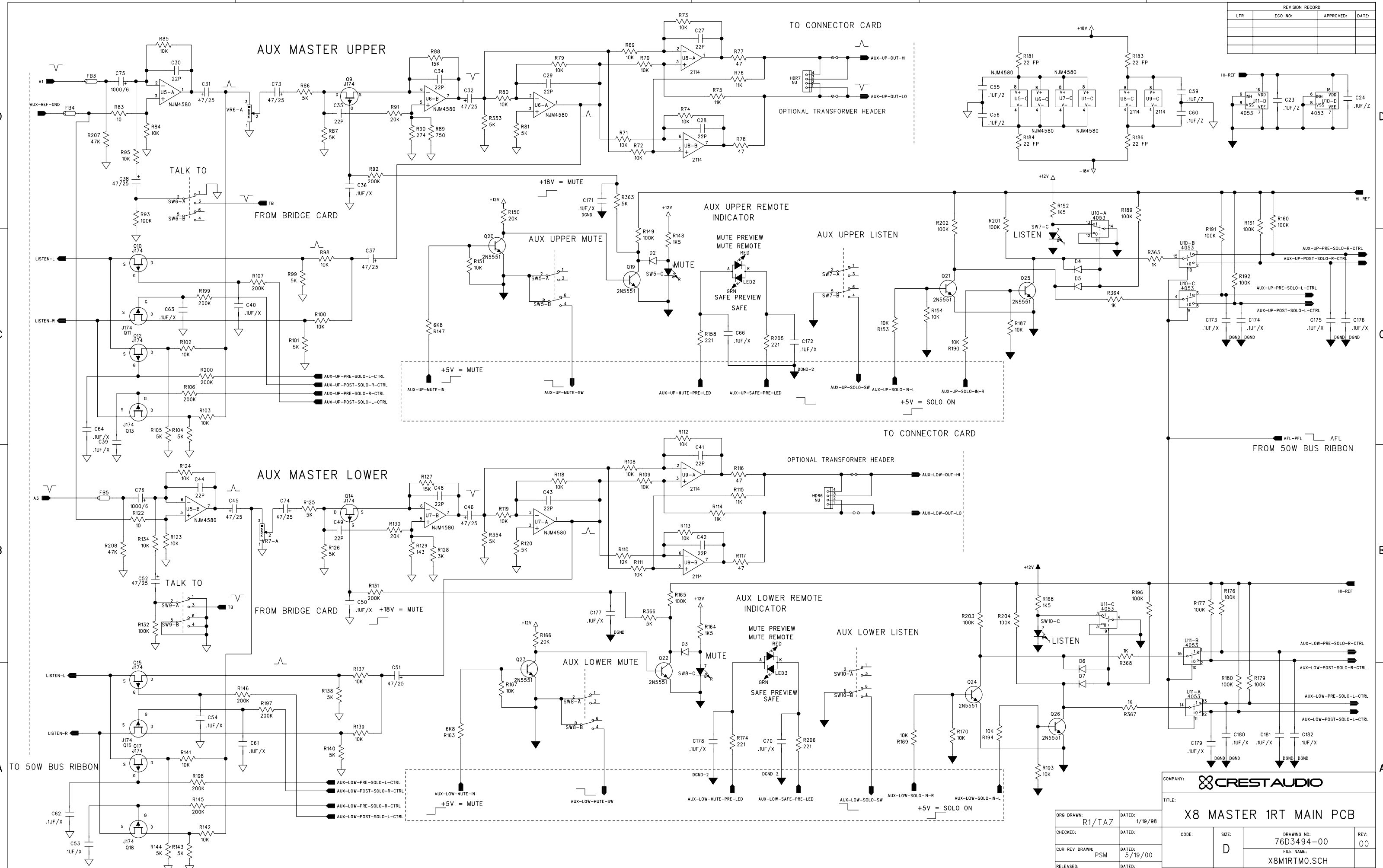
AUX MASTER LOWER

TO CONNECTOR CARD

OPTIONAL TRANSFORMER HEADER

TO CONNECTOR CARD

OPTIONAL TRANSFORMER HEADER

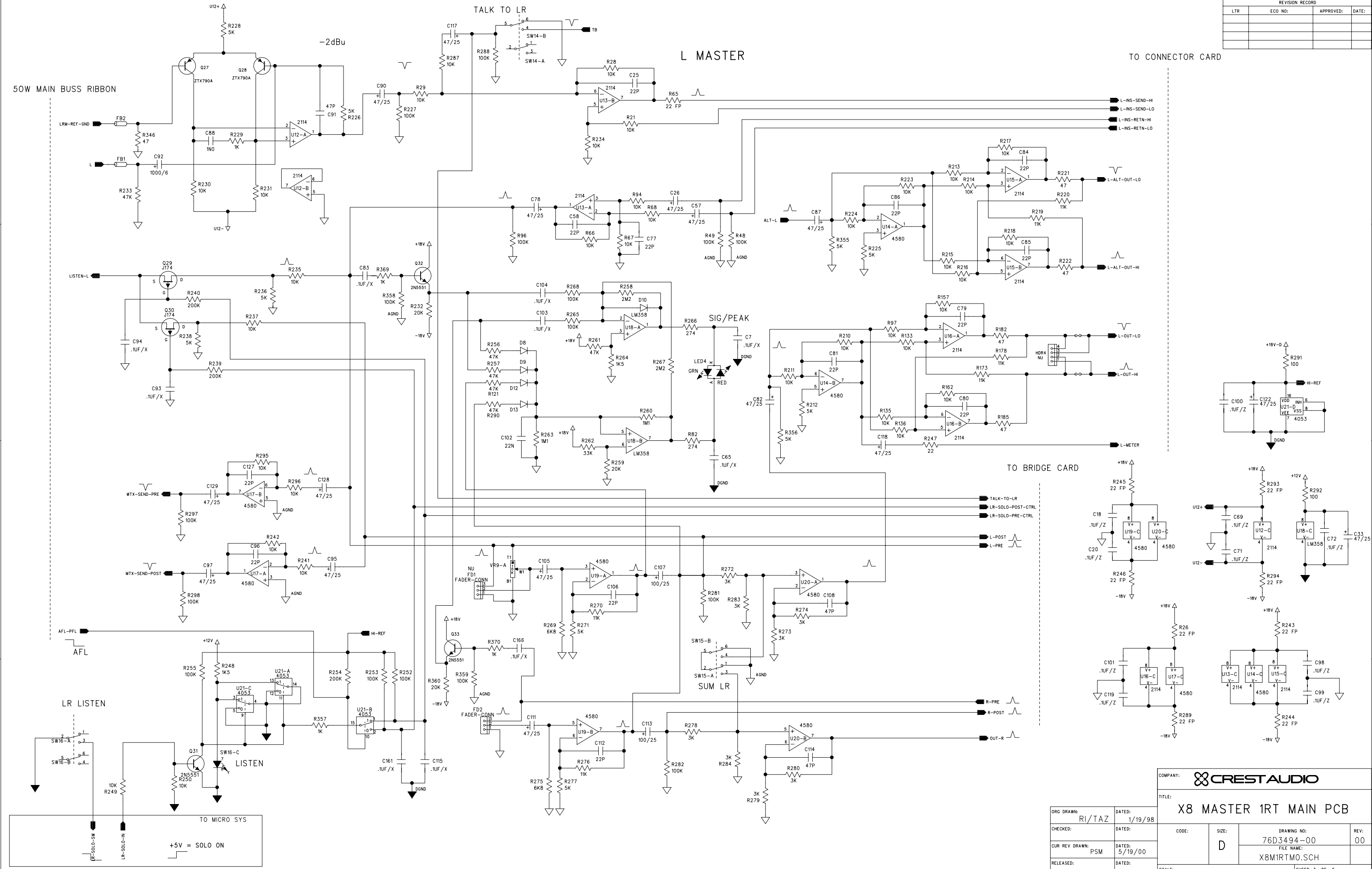


COMPANY: **CREST AUDIO**

TITLE: **X8 MASTER 1RT MAIN PCB**

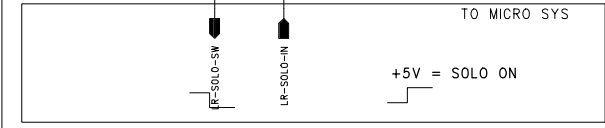
ORG DRAWN: R1/TAZ	DATED: 1/19/98	CODE: D	SIZE: D	DRAWING NO: 76D3494-00	REV: 00
CHEKED: PSM	DATED: 5/19/00			FILE NAME: X8M1RTM0.SCH	
CUR REV DRAWN: PSM	DATED:	SCALE:		SHEET: 2 OF 5	

REVISION RECORD			
LTR	ECO NO:	APPROVED:	DATE:



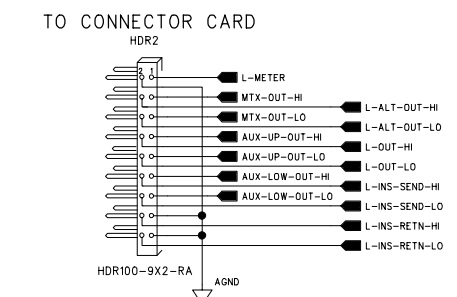
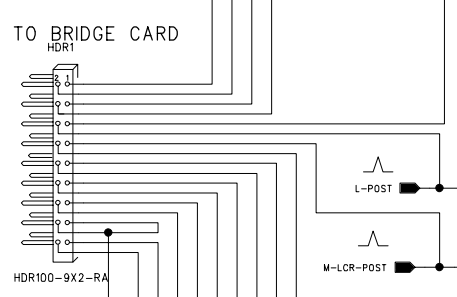
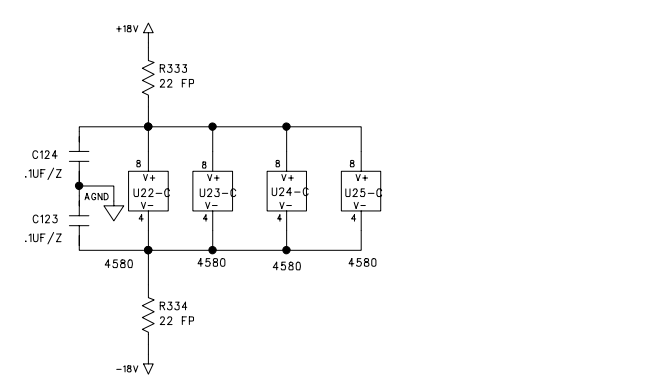
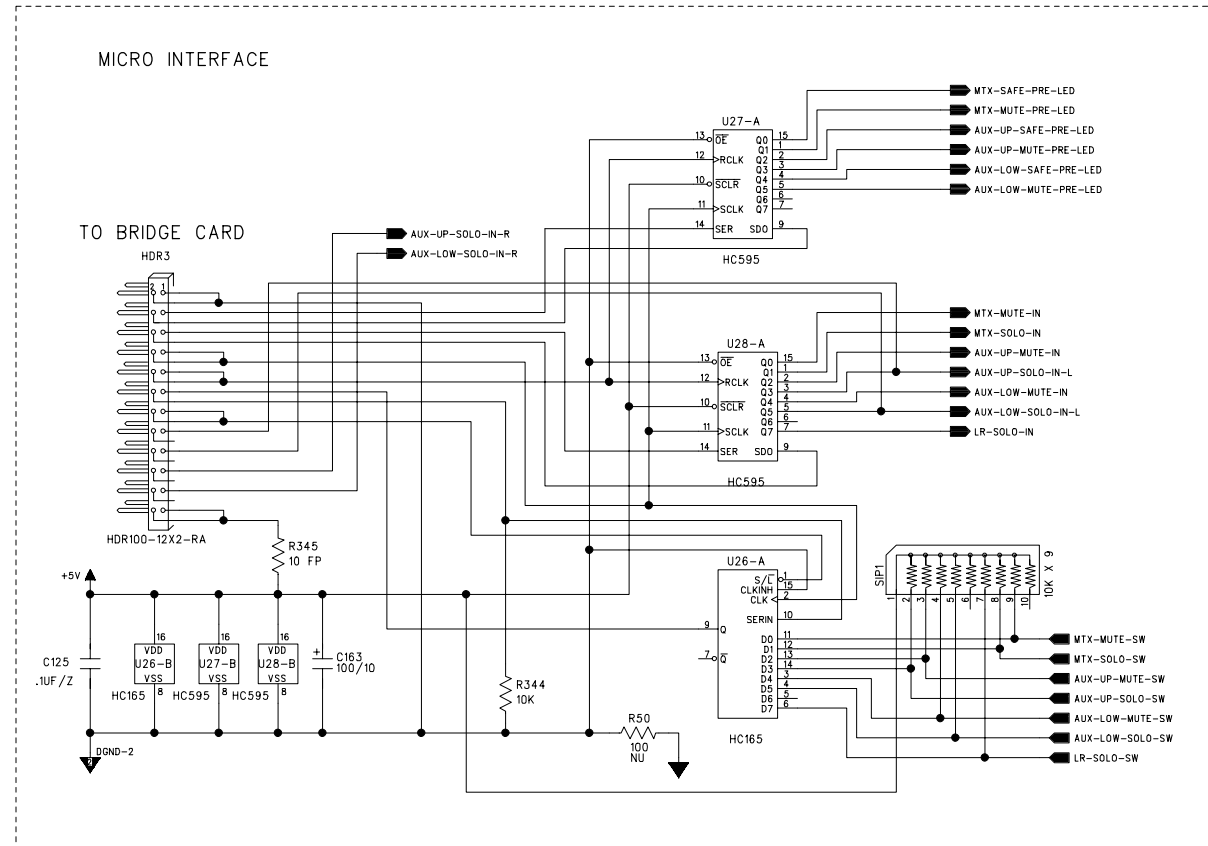
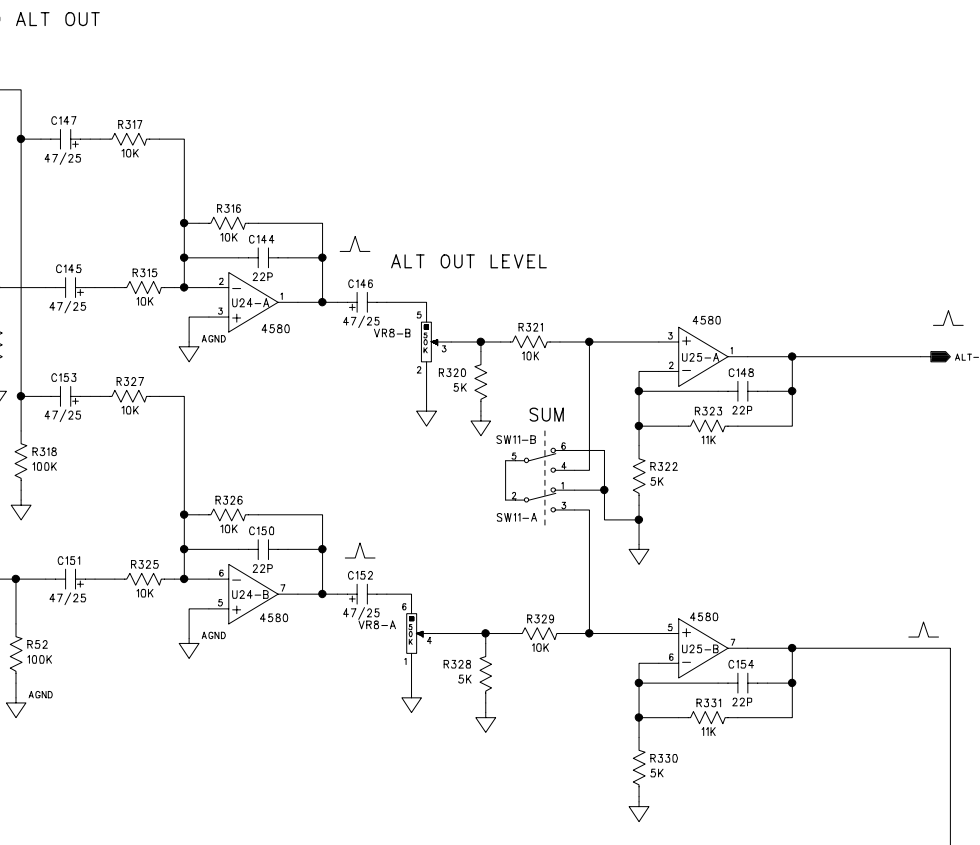
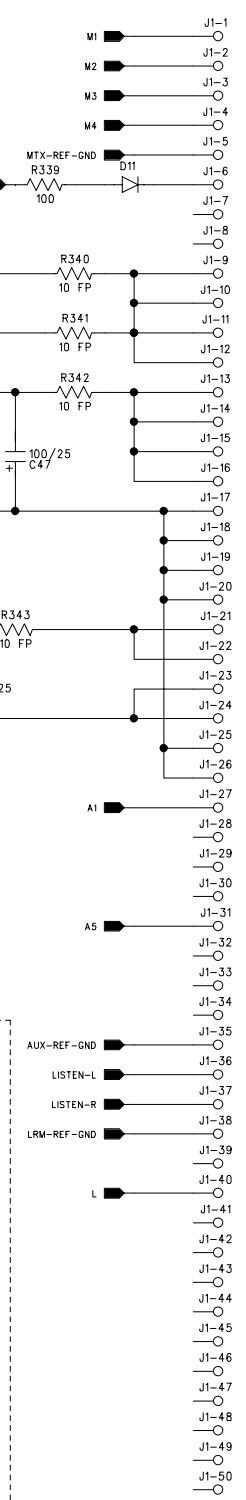
TO CONNECTOR CARD

TO BRIDGE CARD



COMPANY: CREST AUDIO		TITLE: X8 MASTER 1RT MAIN PCB	
ORG DRAWN: R1/TAZ	DATED: 1/19/98	DRAWING NO: 76D3494-00	REV: 00
CHECKED:	DATED:		
CUR REV DRAWN: PSM	DATED: 5/19/00	FILE NAME: X8M1RTMO.SCH	
RELEASED:	DATED:	SCALE:	SHEET: 3 OF 5

REVISION RECORD			
LTR	ECO NO:	APPROVED:	DATE:



COMPANY: **CREST AUDIO**


TITLE: **X8 MASTER 1RT MAIN PCB**

ORG DRAWN: R1/TAZ	DATED: 1/19/98	CODE:	SIZE: D	DRAWING NO: 76D3494-00	REV: 00
CHECKED:	DATED:			FILE NAME: X8M1RTMO.SCH	
CUR REV DRAWN: PSM	DATED: 5/19/00				
RELEASED:	DATED:				

SCALE: SHEET: 4 OF 5

REVISION RECORD			
LTR	ECO NO.	APPROVED:	DATE:

REVISION RECORD					
REV LEVEL	ASMBLY LEVEL	DATE	ECO	ENG.	DESCRIPTION
00	A	5/19/00	????	PSM	<ul style="list-style-type: none"> - CHANGE PART NUMBER FROM 697-11 TO 697-91. - CHANGE ALL NJM2082D TO NJM4580D. - POWER: CHNG-> C158-161: 47U/25 TO 100U/25. - BAL. OUTPUTS: ADDED OPT. TFMR HEADERS (L,AUX1,AUX5) HDR 5-7. CHNG -> R13,81,212,225: 10K TO 5K. (DC BALANCE FOR 1ST STAGE) - SOLO: CHANGE RESISTORS FOR -2dBu FEED TO +4dBu MIX AMP. CHNG -> R30,32,34-35,98,100,102-103,137,139,141-142,235,237: 20K-10K; CHNG -> R31,33,36-37,99,101,104-105,138,140,143-144,236,238: 10K-5K. - MATRIX MIX: WANT -2dBu FROM -2dBu SOURCE WITH +6 XTRA. (10K FEED). CHNG -> R17,27: 10K TO 20K; - MATRIX MSTR: CORRECT POT SLUGGING AND GAIN. CHNG -> R20: 10K TO 15K; R18-19: 3K TO 5K. - MATRIX SENDS: CHANGE FEED TO MIX. CHNG -> R60-63: 5K TO 10K. - AUX1 MIX: PART CORRECTION AND FERRITE BEAD ADDITION. CHNG -> C30: 100P TO 22P; ADD -> FB3-4: FBEAD-INS. - AUX5 MIX: PART CORRECTION AND FERRITE BEAD ADDITION. CHNG -> C44: 100P TO 22P; ADD -> FB5: FBEAD-INS. - AUX1&5 MSTR: POT SLUGGING AND GAIN CORRECTIONS. CHNG -> R86-87,125-126: 3K TO 5K; R88,127: 10K TO 15K; ADD -> R89,128: 2K (DE-ZOOT) - L MIX: NEW MIX AMP CONFIGURATION. CHANGED U12 FROM 2082 TO 4580. FEEDBACK VALUES CHANGED FROM 10K TO 5K, 22P TO 47P. DEL OUTPUT 47U/25. - L INS-SND: ADD R21: 10K TO CREATE DIVIDER FOR NON-INV. INPUT. - L INS-RTN: ADD R48-49: 100K (INPUT CAP DC RETURN) - L SOLO FEED: DEL 47U/25 CAPS (SERIES WITH R235,237) - L/R FADER: GAIN CORRECTIONS: CHNG -> R270,276: 10K TO 11K. - L/R SUM: GAIN AND CROSSTALK CHANGES. CHNG -> SW15 (CONF. FOR BK-GND) R270,276: 10K TO 11K; C108,114: 22P TO 47P; R272-274,278-280, R283-284: 10K TO 3K; DEL -> INPUT 47U/25 CAPS; OUTPUT 47U/25 & 100K CAPS AND RESISTORS. - SIG/PEAK: CHANGES FOR DISTORTION IMPROV. AND SIG BLEED. ADD -> E. FOLLOWER FOR FEED TO R256 & R257. Q32-33: 2N5551; R232,360: 20K; R358-359:100K; R369-370:1K; C83,166:U1/CXAK. CHNG -> CAPS ARND LED4, NOW TO DGND. RE-ARNG: C7, ADD -> C65:U1/CXAK CHNG -> FEED TO R121: NOW PRE C107 (L-FADER) CHNG -> FEED TO R290: NOW PRE C113 (R-FADER) - ALT OUT: DEL SHNT RES OF NON-INV INP OF U22-24: NOW TO AGND. ADD -> R52,155: 100K. (DC RETN PATH FOR C145,151 AT PRE SWITCH) CHNG -> FOR GAIN AND SLUGGING AT U25. R323,331: 10K TO 11K; R320,328: 3K TO 5K; R321,329: 3K TO 10K; SW11 (BACKGROUNDING). DEL -> OUTPUT CAPS AND RESISTORS (47U/25 AND 100K) - MICRO: CHNG -> R50: 100 TO NU; ADD -> RC FOR ALL MUTE CMD LINES: R361,363,366: 5K; C167,171,177: U1/CXAK; ADD -> RC FOR ALL SOLO FET CMD LINES: R362,364-365,367-368,357: 1K; C169-170,173-176,179-182,115,161: U1/CXAK. CHNG -> DECOUPLING FOR SAFE/PREVIEW LED. REARRANGE TO DGND-2. REARRANGE C19,66,70; ADD -> C168,172,178: U1/CXAK.
00	B	7/6/00	3978	SLAV	<ul style="list-style-type: none"> - MATRIX1 MUTE TRIM: CHANGE R14 324R TO 274R, R22 5K6 TO 1K50. - AUX1 MUTE TRIM: CHANGE R89 2K TO 750R, R90 324R TO 274R. - AUX5 MUTE TRIM: CHANGE R128 2K TO 3K, R129 221R TO 143R. - REMOVE IC SOCKETS: 8PIN SKT1-3, 5-9, 12-20, 22-25. 16PIN SKT4, 10, 11, 21. - REMOVE 4PIN HEADERS: HDR4-7.

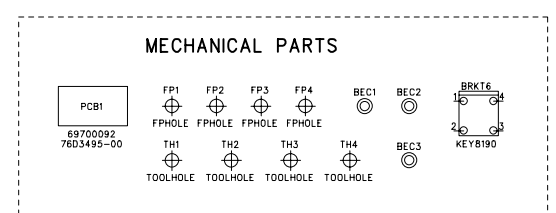
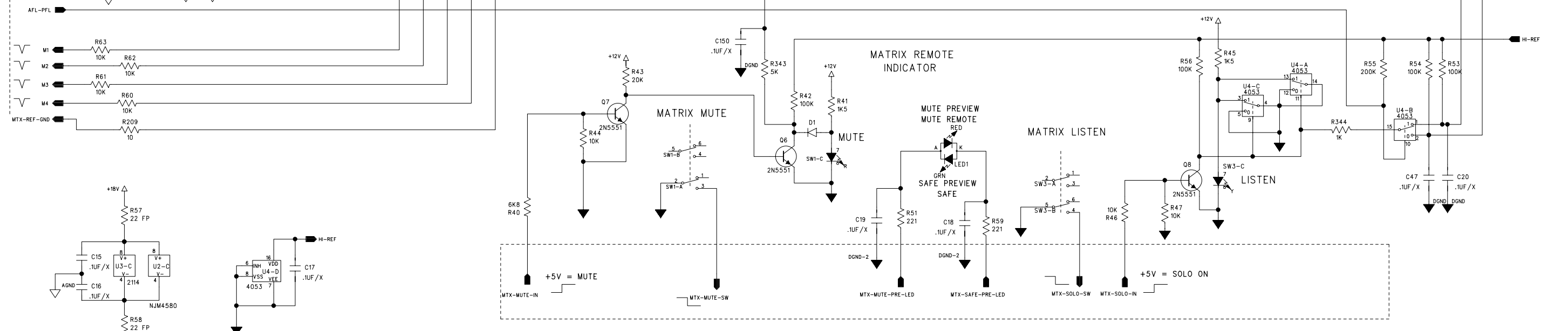
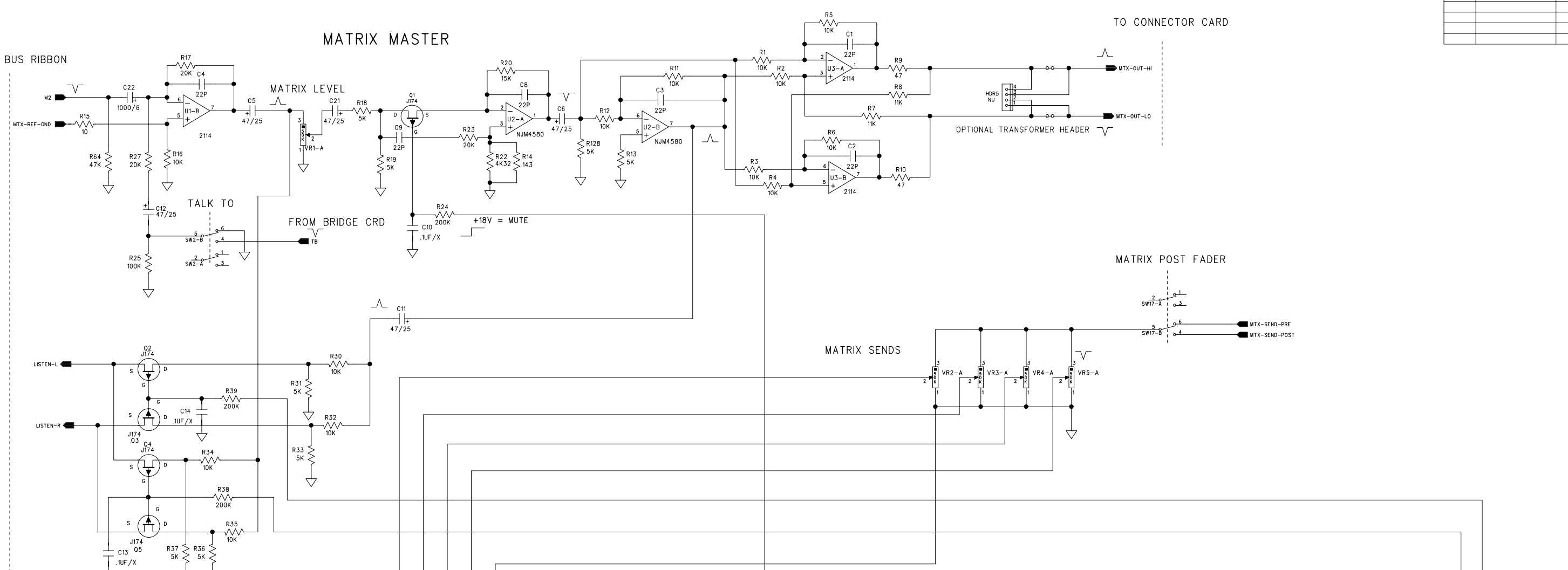
COMPANY:  CREST AUDIO	
TITLE: X8 MASTER 1RT MAIN PCB	
ORG DRAWN: R1/TAZ	DATED: 1/19/98
CHECKED:	DATED:
CUR REV DRAWN: PSM	DATED: 5/19/00
RELEASED:	DATED:
CODE:	SIZE: D
DRAWING NO: 76D3494-00	REV: 00
FILE NAME: X8M1RTM0.SCH	
SCALE:	SHEET: 5 OF 5

REVISION RECORD			
LTR	ECO NO.	APPROVED:	DATE:

MATRIX MASTER

TO CONNECTOR CARD

TO 50W BUS RIBBON



COMPANY: **CREST AUDIO**

TITLE: **X8 MASTER 2 RT MAIN PCB**

DRAWN: RI	DATED: 8/14/97	CODE: D	SIZE: D	DRAWING NO: 76D3495-00	REV: 00
CHECKED:	DATED:			FILENAME: X8M2RTMO.SCH	
CUR REV. DRAWN: SI/PSM	DATED: 05/22/00				
RELEASED:	DATED:				

SCALE: SHEET: 1 OF 5

D

D

C

C

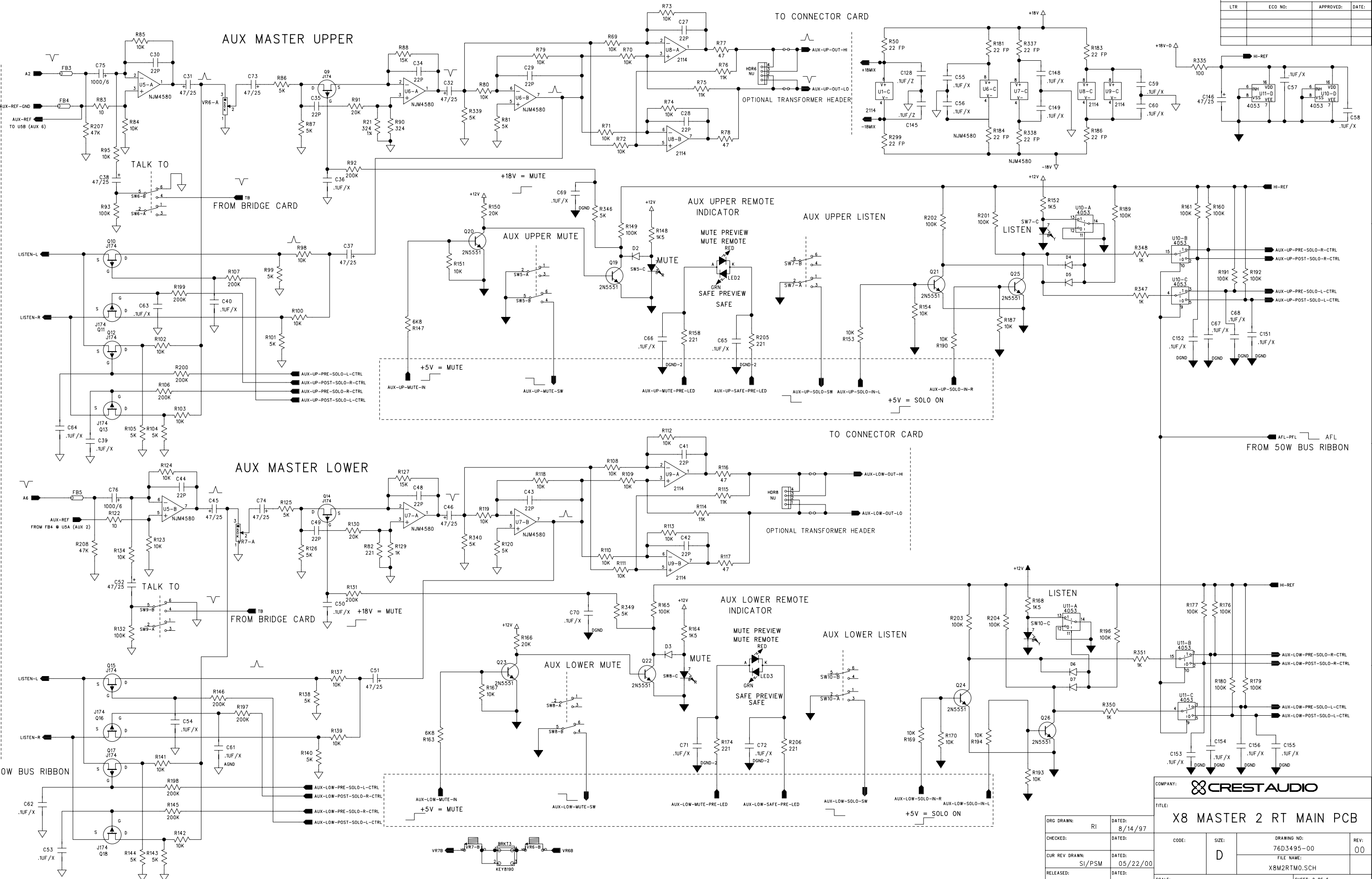
B

B

A

A

REVISION RECORD			
LTR	ECO NO.	APPROVED:	DATE:



COMPANY: **CREST AUDIO**

TITLE: **X8 MASTER 2 RT MAIN PCB**

ORG DRAWN: RI	DATED: 8/14/97	CODE: D	SIZE:	DRAWING NO: 76D3495-00	REV: 00
CHECKED: SI/PSM	DATED: 05/22/00			FILE NAME: X8M2RTMO.SCH	
CUR REV DRAWN: SI/PSM	DATED: 05/22/00	SCALE:		SHEET: 2 OF 5	

REVISION RECORD			
LTR	ECO NO.	APPROVED:	DATE:

R MASTER

-2dBu

TO CONNECTOR CARD

50W MAIN BUSS RIBBON

D

C

B

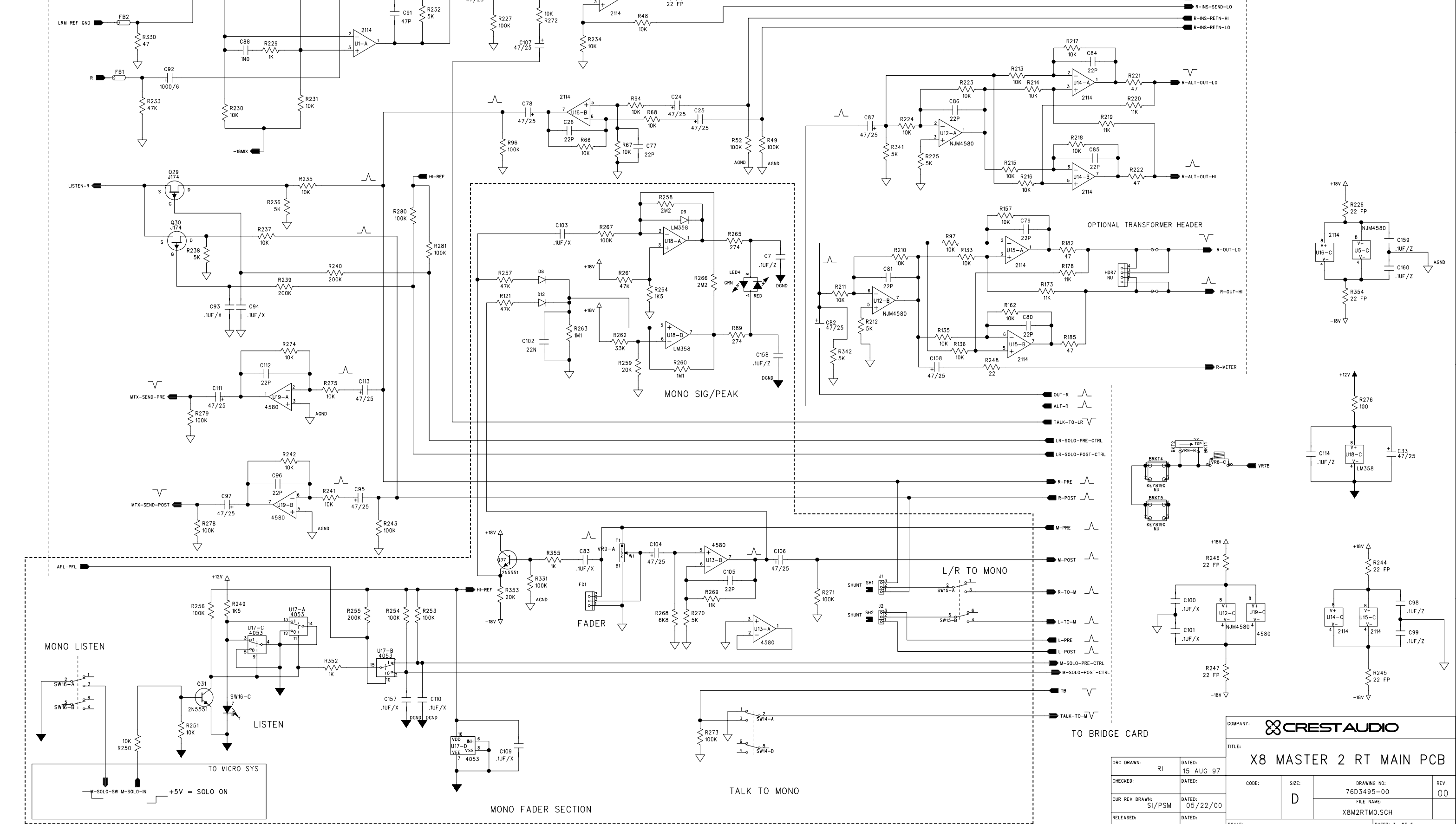
A

D

C

B

A



COMPANY: **CREST AUDIO**

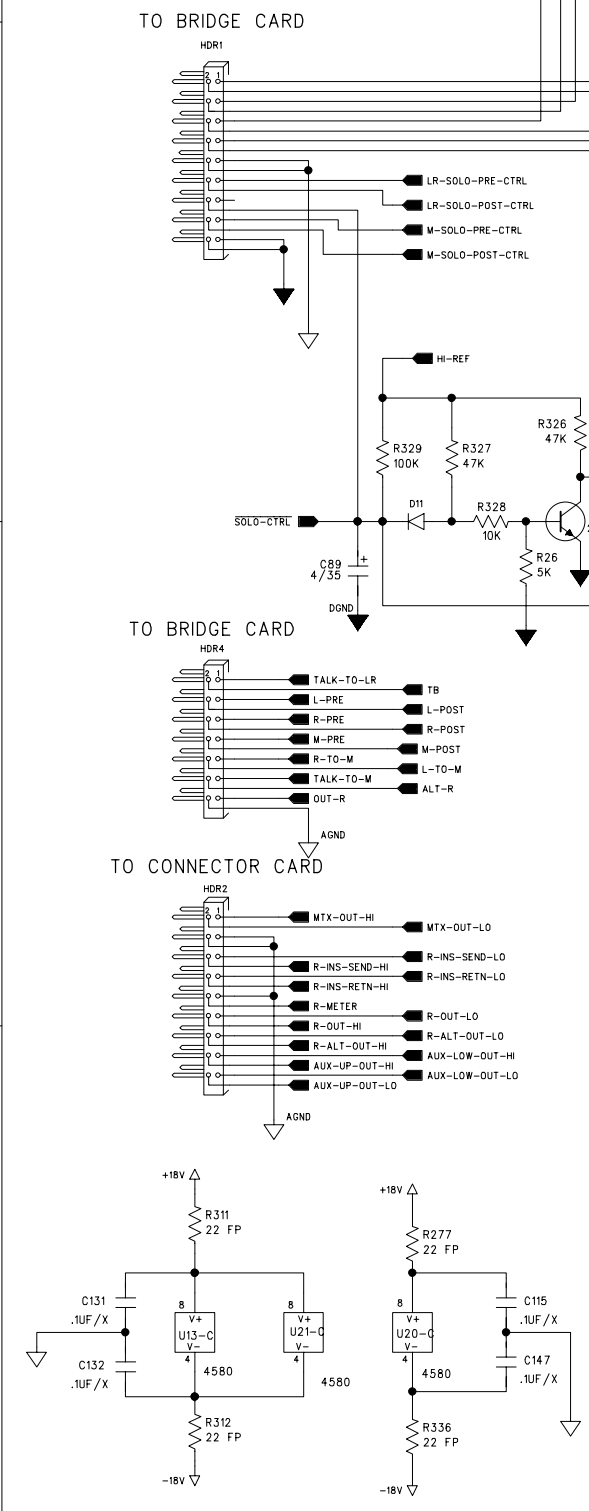
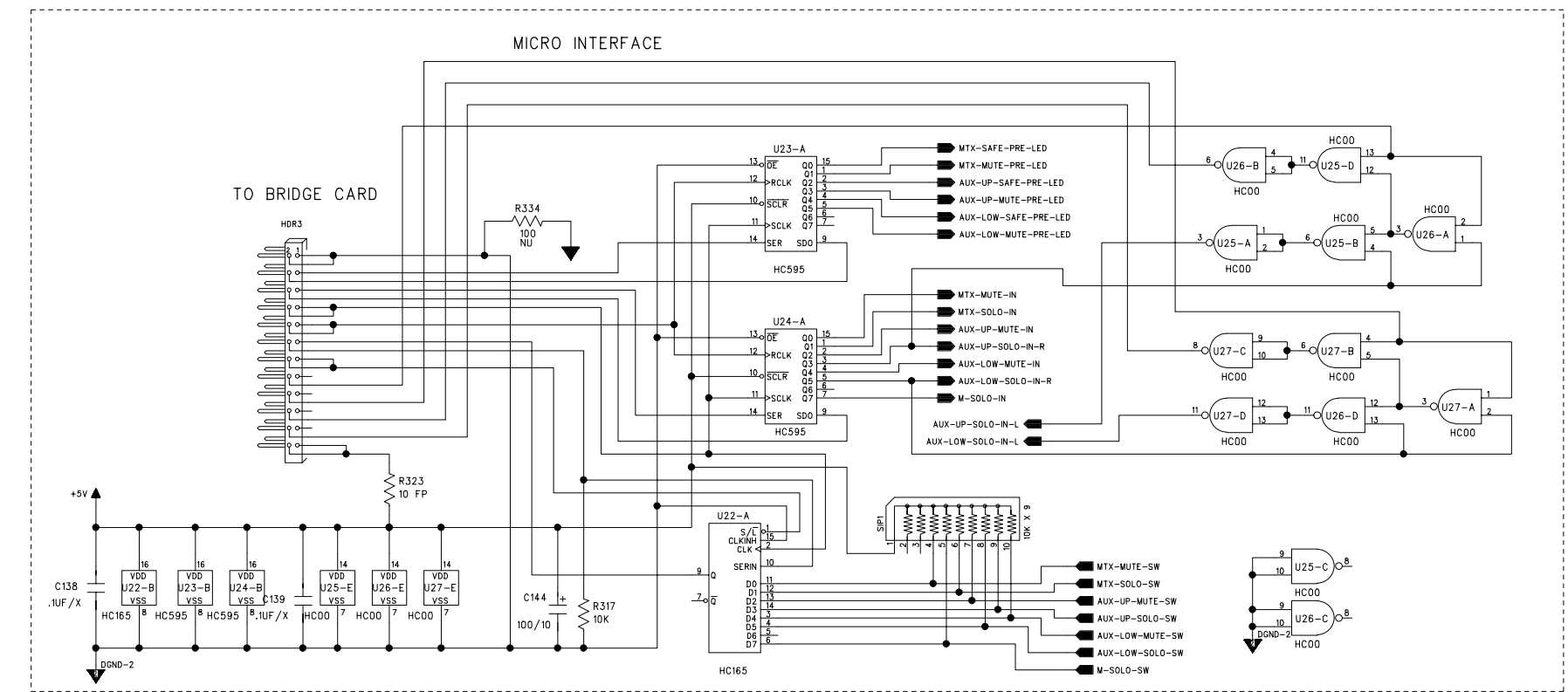
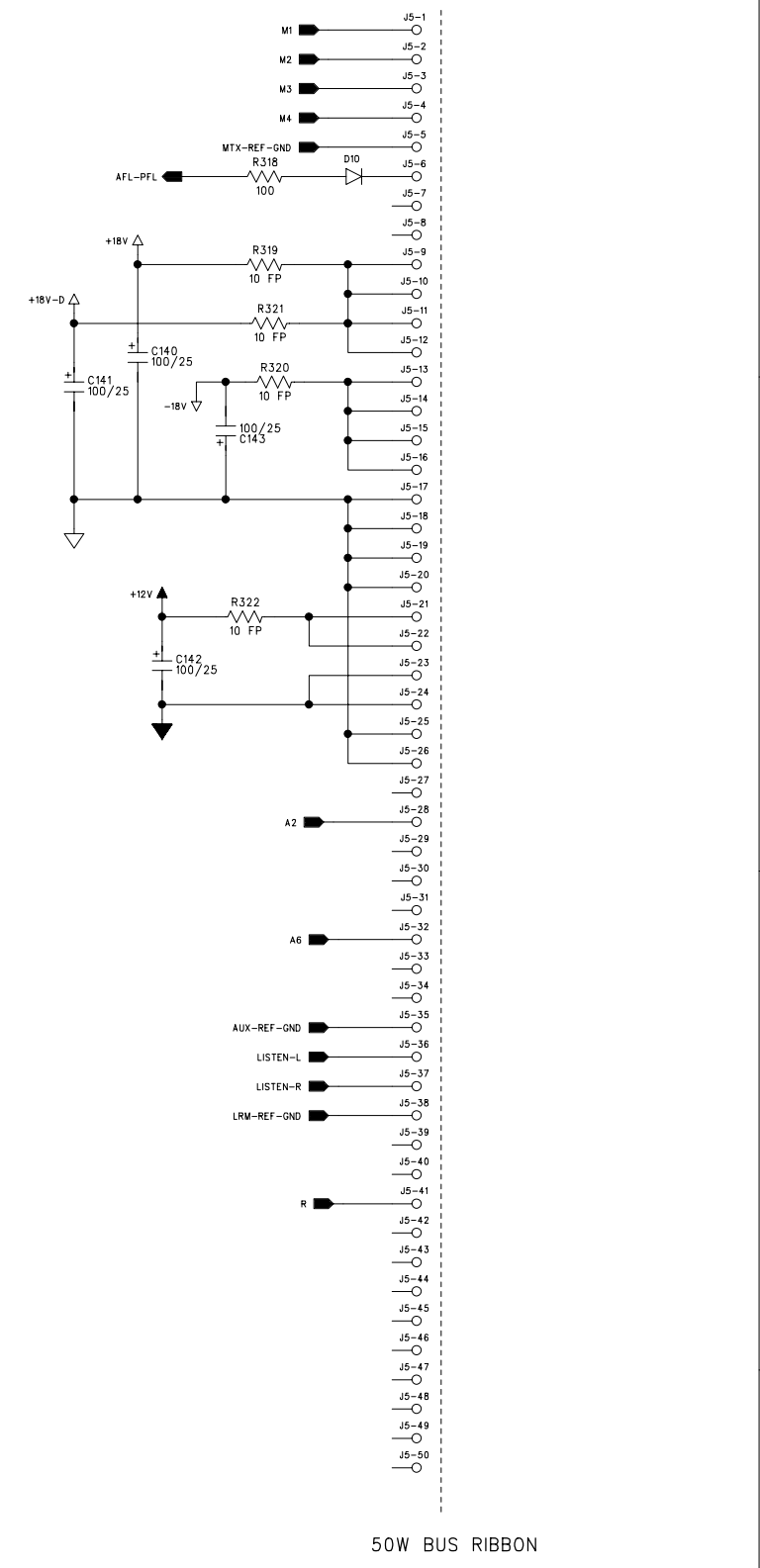
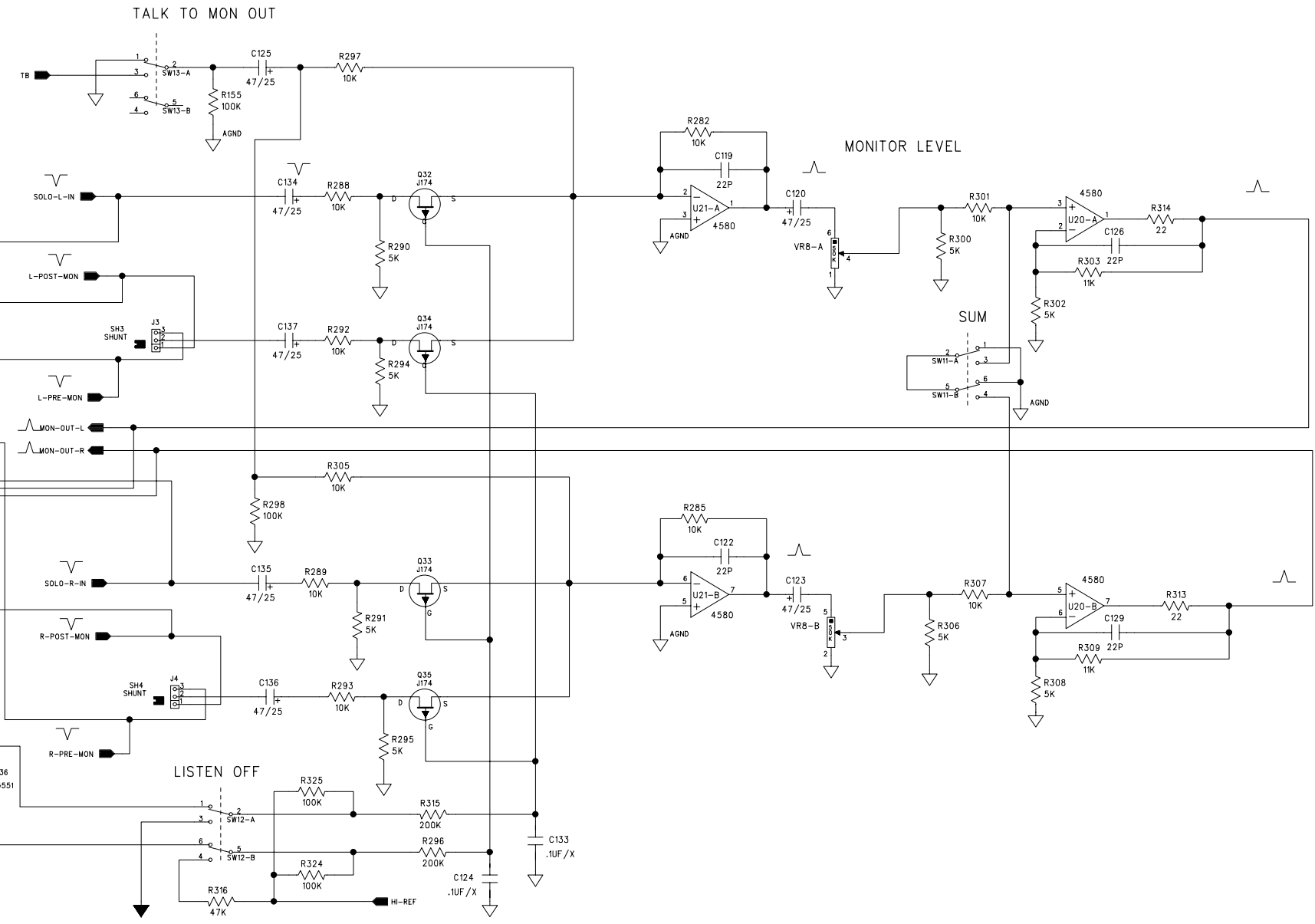
TITLE: **X8 MASTER 2 RT MAIN PCB**

ORG DRAWN: RI	DATED: 15 AUG 97	CODE:	SIZE:	DRAWING NO: 76D3495-00	REV: 00
CHECKED:	DATED:	D		FILE NAME: X8M2RTMO.SCH	
CUR REV DRAWN: SI/PSM	DATED: 05/22/00				
RELEASED:	DATED:				

SCALE: SHEET: 3 OF 5

ORG DRAWN: RI	DATED: 15 AUG 97
CHECKED:	DATED:
CUR REV DRAWN: SI/PSM	DATED: 05/22/00
RELEASED:	DATED:

REVISION RECORD			
LTR	ECO NO.	APPROVED:	DATE:



COMPANY: **CREST AUDIO**

TITLE: **X8 MASTER 2 RT MAIN PCB**

ORG DRAWN: RI	DATED: 15 AUG 97	CODE:	SIZE: D	DRAWING NO: 76D3495-00	REV: 00
CHECKED: SI/PSM	DATED: 5/22/00			FILE NAME: X8M2RTMO.SCH	
CUR REV DRAWN: SI/PSM	DATED: 5/22/00				
RELEASED:	DATED:				

SCALE: SHEET: 4 OF 5

D

D

C

C

B


B

A

A

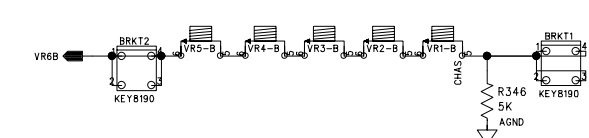
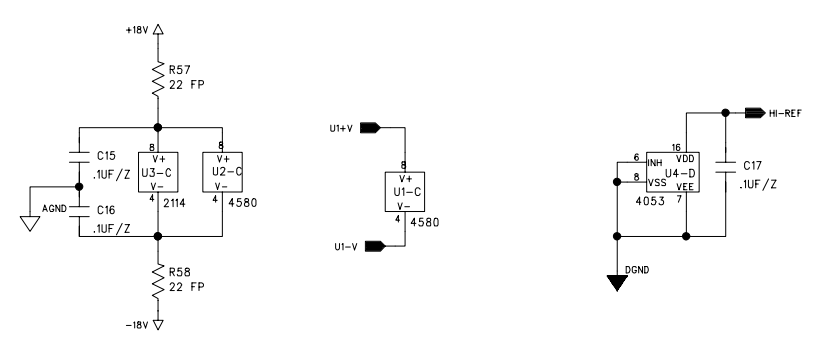
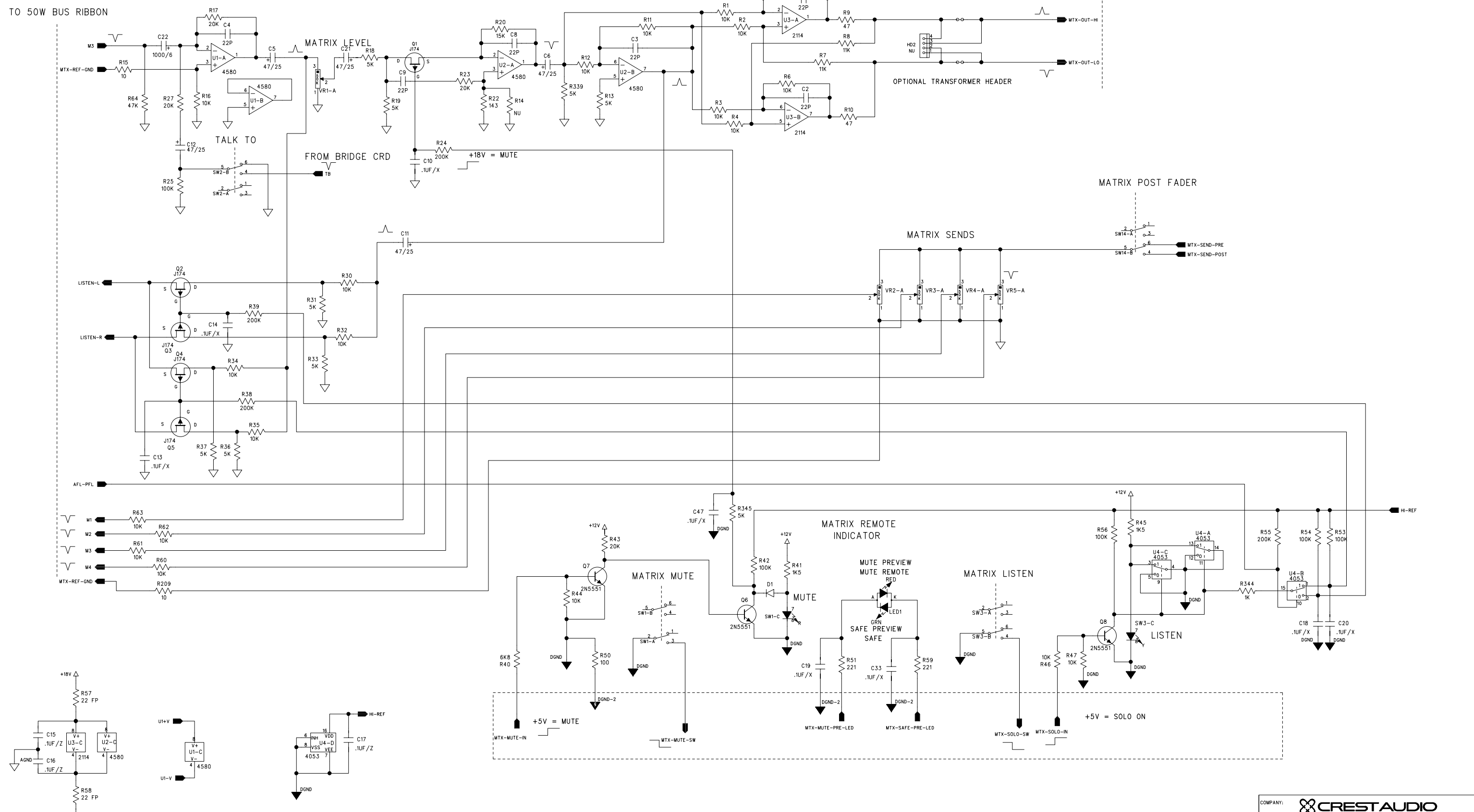
REVISION RECORD			
LTR	ECO NO.	APPROVED:	DATE:

REVISION RECORD					
REV LEVEL	ASMBLY LEVEL	DATE	ECO	ENG.	DESCRIPTION
00	A	5/22/00	????	PSM	<ul style="list-style-type: none"> - CHANGE PART NUMBER FROM 697-12 TO 697-92. - CHANGE ALL NJM2082D TO NJM4580D. - POWER: CHNG-> C140-143: 47U/25 TO 100U/25. - BAL. OUTPUTS: ADDED OPT. TFMR HEADERS (R.MTX,AUX2,6) HDR5-8. CHNG -> R13,81,120,212,228: 10K TO 5K. (DC BALANCE FOR 1ST STAGE) - SOLO: CHANGE RESISTORS FOR -2dBu FEED TO +4dBu MIX AMP. CHNG -> R30,32,34-35,98,100,102-103,137,139,141-142,235,237:20K TO 10K CHNG -> R31,33,36-37,99,101,104-105,138,140,143-144,236,238: 10K-5K. - MATRIX MIX: WANT -2dBu FROM -2dBu SOURCE WITH +6 XTRA. (10K FEED). CHNG -> R17,27: 10K TO 20K; - MATRIX MSTR: CORRECT POT SLUGGING AND GAIN. CHNG -> R20: 10K TO 15K; R18-19: 3K TO 5K. - MATRIX SENDS: CHANGE FEED TO MIX. CHNG -> R60-63: 5K TO 10K. - AUX2 MIX: PART CORRECTION AND FERRITE BEAD ADDITION. CHNG -> C30: 100P TO 22P; ADD -> FB3-4: FBEAD-INS. - AUX6 MIX: PART CORRECTION AND FERRITE BEAD ADDITION. ADD -> FB5: FBEAD-INS. - AUX2&6 MSTR: POT SLUGGING AND GAIN CORRECTIONS. CHNG -> R86-87,125-126: 3K TO 5K; R88,127: 10K TO 15K; - R MIX: NEW MIX AMP CONFIGURATION. CHANGED U1 FROM 4580 TO 2114. FEEDBACK VALUES CHANGED FROM 10K TO 5K, 22P TO 47P. DEL OUTPUT 47U/25. - R INS-SND: ADD R48: 10K TO CREATE DIVIDER FOR NON-INV. INPUT. - R INS-RTN: ADD R49,52: 100K (INPUT CAP DC RETURN) - R SOLO FEED: DEL 47U/25 CAPS (SERIES WITH R235,237) - MONO FADER: GAIN CORRECTIONS: CHNG -> R269: 10K TO 11K. - SIG/PEAK: CHANGES FOR DISTORTION IMPROV. AND SIG BLEED. ADD -> E. FOLLOWER FOR FEED TO R257. Q83: 2N5551; R331:100K; R353:20K; R355:1K; C83:U1/CXAK. CHNG -> CAPS ARND LED4, NOW TO DGND. RE-ARNG: C7, ADD -> C158: U1/CXAK CHNG -> FEED TO R121: NOW PRE C106 (MONO FADER) - SOLO CONTROL: ADD -> C89: 4U7/35 TO CATHODE OF D11. - MON MIX: DEL SHNT RES OF NON-INV INP OF U21: NOW TO AGND. ADD -> R155: 100K (DC RETURN AT SW13); DEL 47U/25 AND 100K AT U21 INP. CHNG -> FOR GAIN AND SLUGGING AT U20. R303,309: 10K TO 11K; R300,306: 3K TO 5K; R301,307: 3K TO 10K. BACKGROUNDING OF SW11. DEL -> OUTPUT CAPS AND RESISTORS (47U/25 AND 100K) - MICRO: CHNG -> R50: 100 TO NU; ADD -> RC FOR ALL MUTE CMD LINES: R343,346,349: 5K; C69,70,150: U1/CXAK; ADD -> RC FOR ALL SOLO FET CMD LINES: R344,347-348,350-352: 1K; C20,47,67-68,110,151-157: U1/CXAK. CHNG -> DECOUPLING FOR SAFE/PREVIEW LED. REARRANGE TO DGND-2. REARRANGE C19,66; ADD -> C18,65,71-72: U1/CXAK. -
00	B	7/6/00	3979	SLAV	<ul style="list-style-type: none"> - MATRIX2 MUTE TRIM: CHANGE R14 221R TO 143R, R22 1K0 TO 4K32. - AUX2 MUTE TRIM: CHANGE R21 100R0 TO 324R, R90 221R TO 324R. - AUX6 MUTE TRIM: CHANGE R82 143R TO 221R, R129 NU TO 1K0. - REMOVE ALL IC SOCKETS: 8PIN SKT1-3, 5-9, 12, 14-16, 18-20. 16PIN SKT4, 10, 11. - REMOVE 4PIN HEADERS: HDR5-8.
00	C	7/19/00	3992	TAZ	<ul style="list-style-type: none"> - AUX LOWER SOLO LED NOT FUNCTIONING - JUNCTION OF D6/D7/R196 MODIFIED TO CONNECT TO PIN11 OF U11 AND NOT DGND.

COMPANY:  CREST AUDIO	
TITLE: X8 MASTER 2 RT MAIN PCB	
ORG DRAWN: RI	DATED: 15 AUG 97
CHECKED:	DATED:
CUR REV DRAWN: PSM	DATED: 5/22/00
RELEASED:	DATED:
CODE: D	SIZE: D
DRAWING NO: 76D3495-00	REV: 00
FILE NAME: X8M2RTMO.SCH	
SCALE:	SHEET: 5 OF 5

REVISION RECORD			
LTR	ECO NO:	APPROVED:	DATE:

MATRIX MASTER



COMPANY: **CREST AUDIO**

TITLE: **X8 MASTER 3 RT MAIN**

DRAWN: RI	DATED: 1 SEPT 97	CODE:	SIZE: D	DRAWING NO: 76D3496-00	REV: 00
CHECKED:	DATED:	CUR. REV. DRAWN: SI/PSM	DATED: 5/25/00	FILENAME: X8M3RTM0.SCH	
RELEASED:	DATED:	SCALE:			SHEET: 1 OF 5

6

5

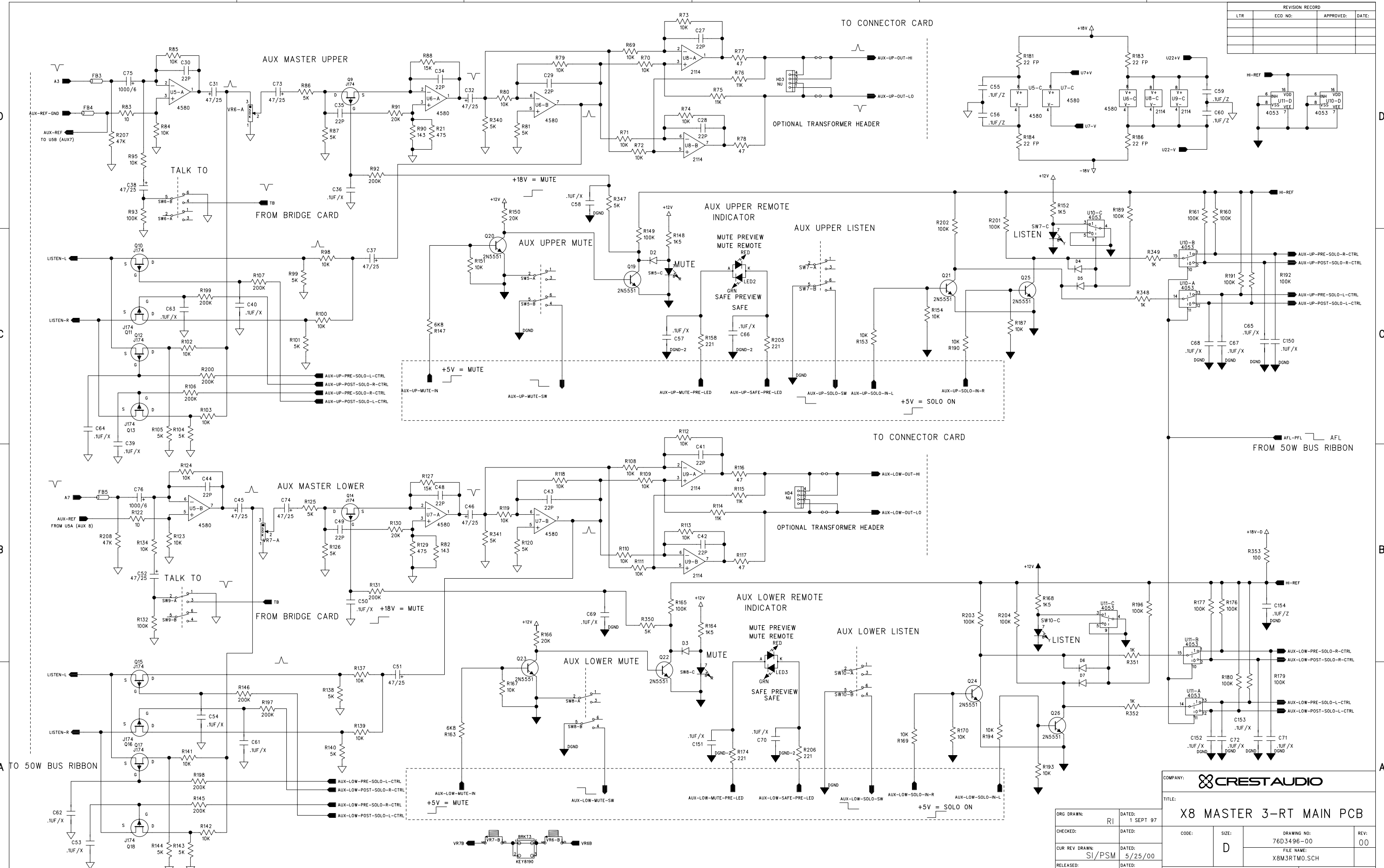
4

3

2

1

REVISION RECORD			
LTR	ECO NO:	APPROVED:	DATE:



COMPANY: **CREST AUDIO**

TITLE: **X8 MASTER 3-RT MAIN PCB**

ORG DRAWN: RI	DATED: 1 SEPT 97	CODE:	SIZE: D	DRAWING NO: 76D3496-00	REV: 00
CHECKED:	DATED:	CUR REV DRAWN: SI/PSM	DATED: 5/25/00	FILE NAME: X8M3RTM0.SCH	
RELEASED:	DATED:				

SCALE: SHEET: 2 OF 5

6

5

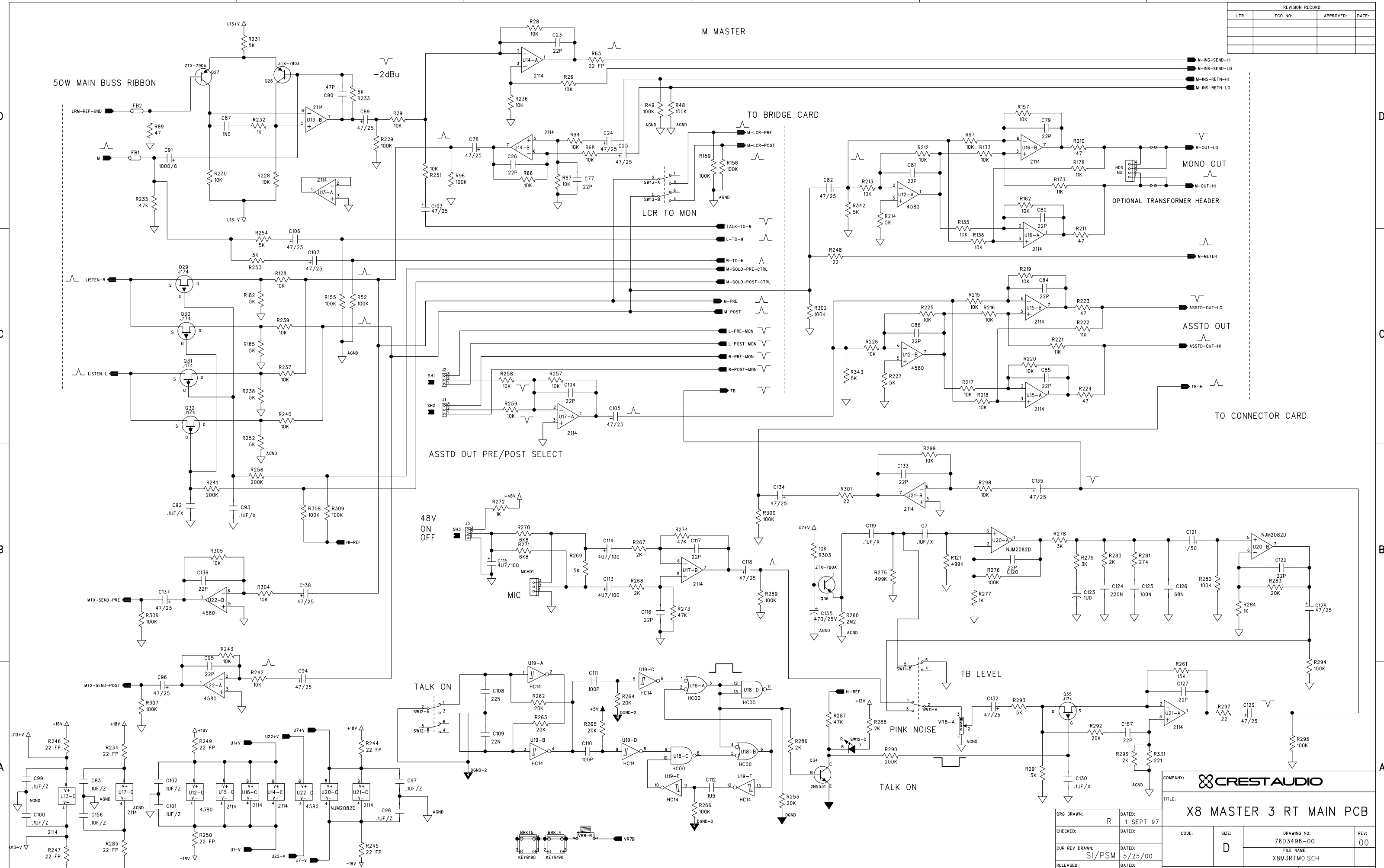
4

3

2

1

REVISION RECORD			
LTR	ECO NO:	APPROVED:	DATE:



COMPANY: **CRESTAUDIO**

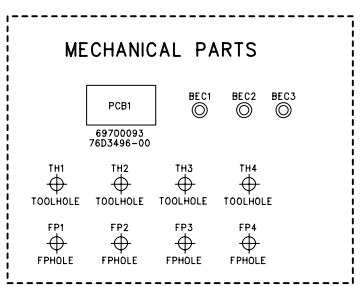
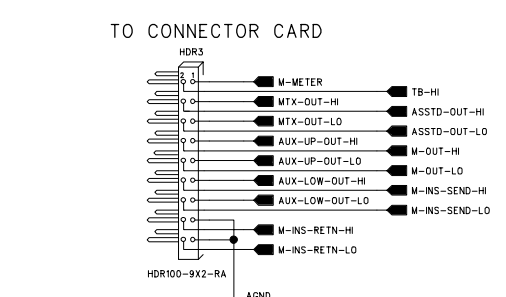
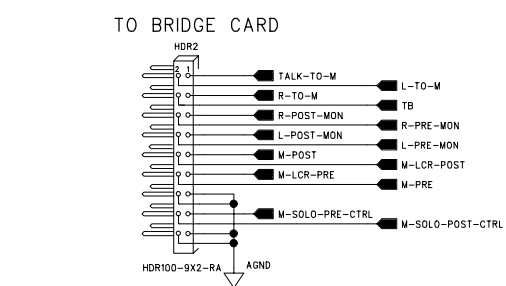
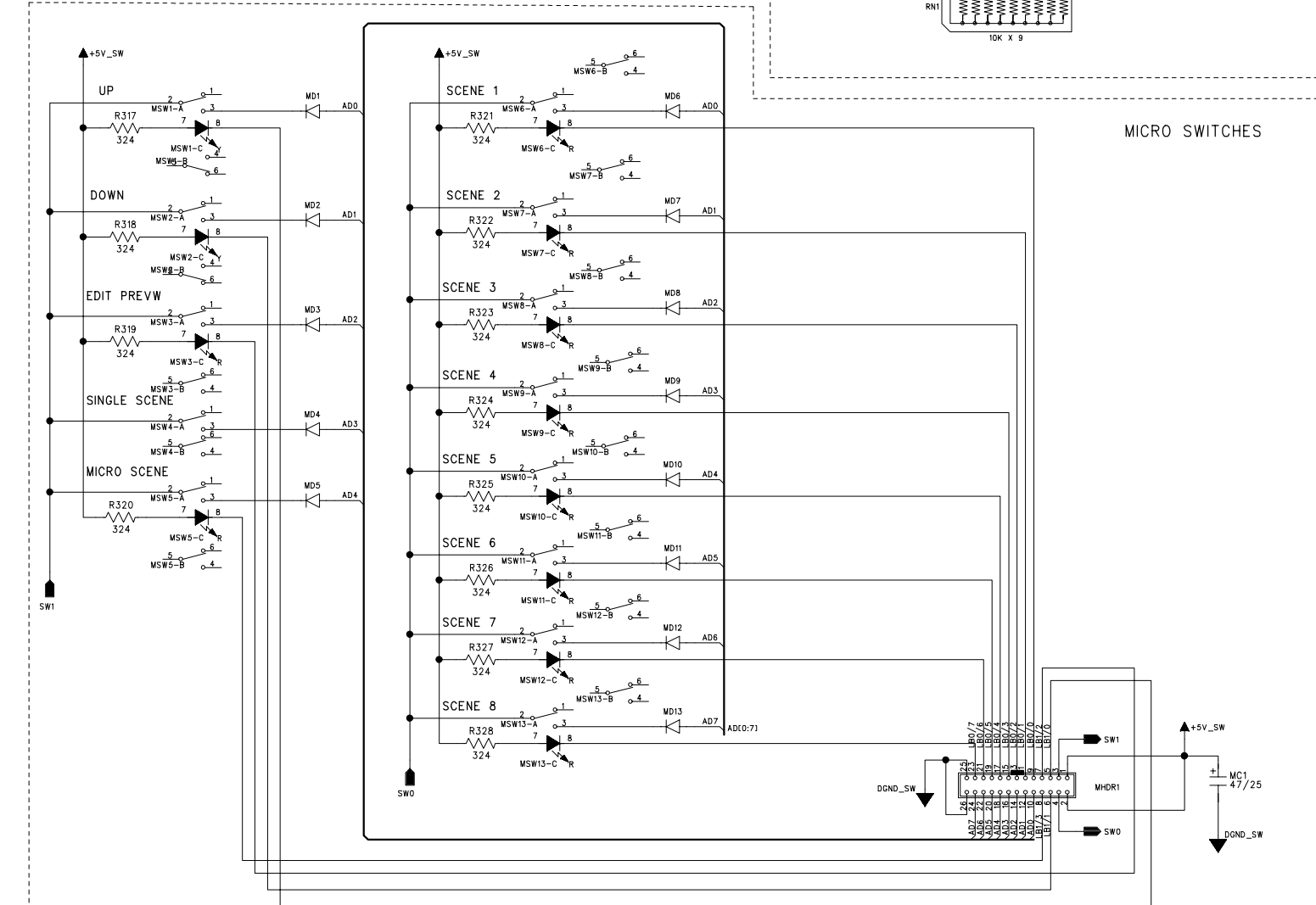
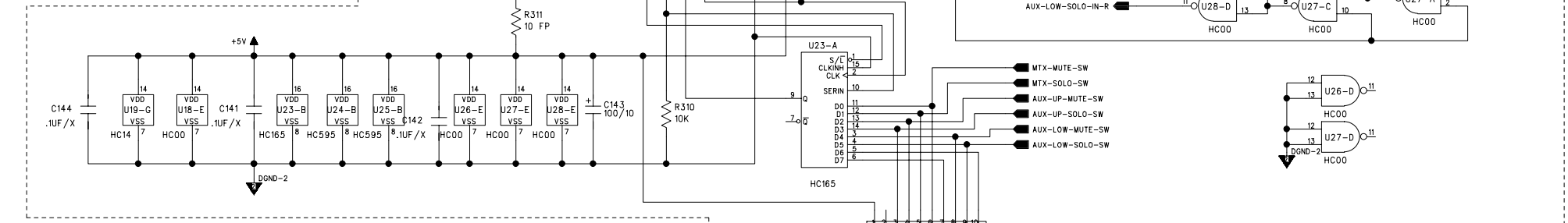
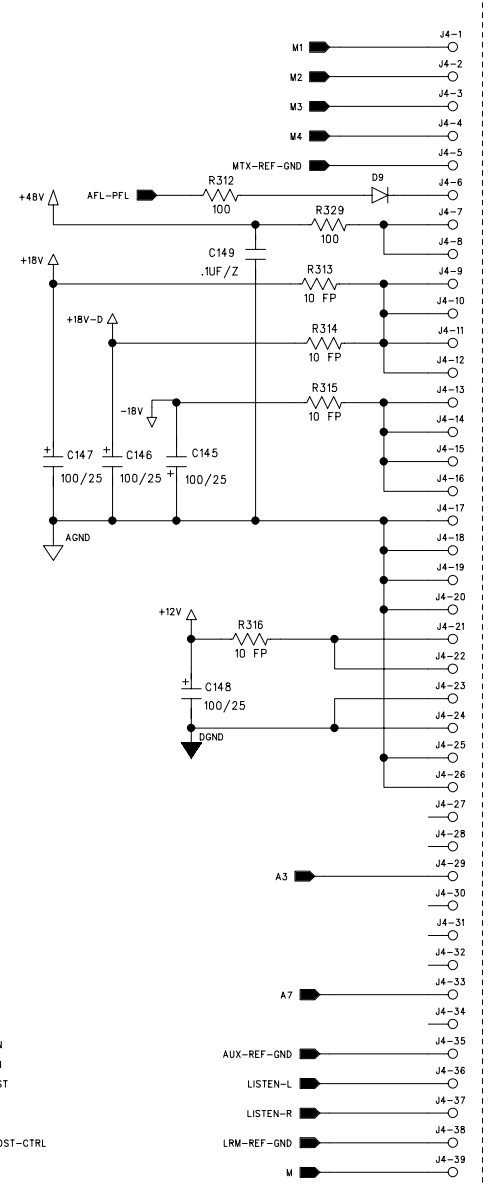
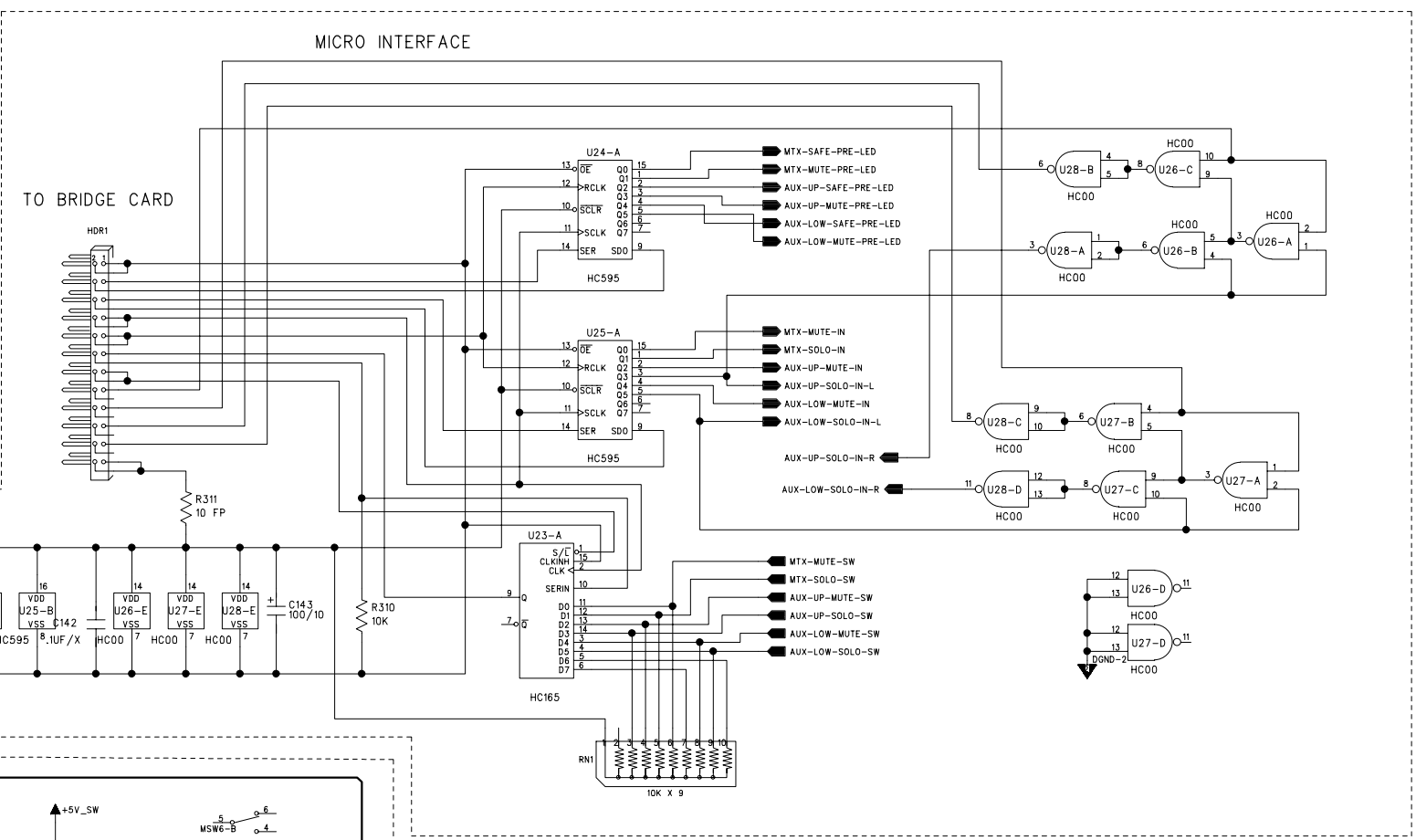
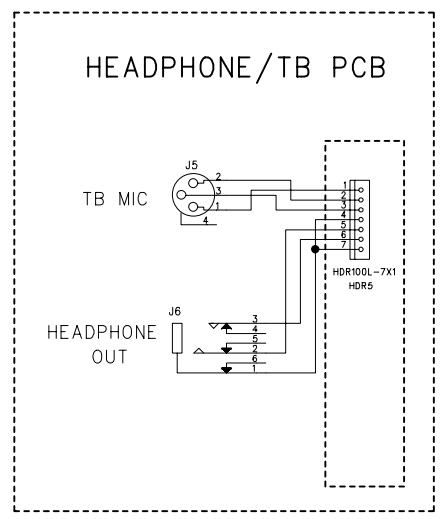
TITLE: **X8 MASTER 3 RT MAIN PCB**

ORG DRAWN: RI	DATED: 1 SEPT 97	CODE: D	SIZE: D	DRAWING NO: 76D3496-00	REV: 00
CHECKED: SI/PSM	DATED: 5/25/00			FILE NAME: X8M3RTM0.SCH	
CUR REV DRAWN: SI/PSM	DATED: 5/25/00				
RELEASED:	DATED:				

SCALE:

SHEET: 3 OF 5

REVISION RECORD			
LTR	ECO NO:	APPROVED:	DATE:



50W BUS RIBBON

COMPANY: CRESTAUDIO

TITLE: X8 MASTER 3 RT MAIN PCB

ORG DRAWN: RI	DATED: 1 SEPT 97	CODE:	SIZE: D	DRAWING NO: 76D3498-0	REV: 00
CHECKED: SI/PSM	DATED: 5/25/00			FILE NAME: X8M3RTM0.SCH	
RELEASED:	DATED:	SCALE:			SHEET: 4 OF 5

6

5

4

3

2

1

REVISION RECORD			
LTR	ECO NO:	APPROVED:	DATE:

REVISION RECORD					
REV LEVEL	ASMBLY LEVEL	DATE	ECO	ENG.	DESCRIPTION
00	A	5/19/00	????	PSM	- CHANGE PART NUMBER FROM 697-13 TO 697-93 - POWER: CHNG-> C145-148: 47U/25 TO 100U/25. - BAL. OUTPUTS: ADDED OPT. TFMR HEADERS (MONO,MTX,AUX3,AUX7) HD2-5 CHNG -> R13,81,120,214,227: 10K TO 5K. (DC BALANCE FOR 1ST STAGE) - SOLO: CHANGE RESISTORS FOR -2dBu FEED TO +4dBu MIX AMP. CHNG -> R30,32,34-35,98,100,102-103,137,139,141-142,237,239,252,254: 20K TO 10K. CHNG -> R31,33,36-37,99,101,104-105,138,140,143-144,238,240,253,255: 10K TO 5K. - MATRIX MIX: WANT -2dBu FROM -2dBu SOURCE WITH +6 XTRA. (10K FEED). CHNG -> R17,27: 10K TO 20K; - MATRIX MSTR: CORRECT POT SLUGGING AND GAIN. CHNG -> R20: 10K TO 15K; R18-19: 3K TO 5K. - MATRIX SENDS: CHANGE FEED TO MIX. CHNG -> R60-63: 5K TO 10K. - AUX3 MIX: PART CORRECTION AND FERRITE BEAD ADDITION. ADD -> FB3-4: FBEAD-INS. - AUX7 MIX: PART CORRECTION AND FERRITE BEAD ADDITION. ADD -> FB5: FBEAD-INS. - AUX3&7 MSTR: POT SLUGGING AND GAIN CORRECTIONS. CHNG -> R86-87,125-126: 3K TO 5K; R88,127: 10K TO 15K; - MONO MIX: NEW MIX AMP CONFIGURATION. FEEDBACK VALUES CHANGED FROM 10K TO 5K, 22P TO 47P. DEL OUTPUT 47U/25. CHNG -> R260-261: 10K TO 5K (L&R FEEDS TO MONO). ADD -> R52,155:100K (DC RETURN FOR C106-107) - M INS.SND: ADD R26:10K TO CREATE DIVIDER FOR NON.INV. INPUT. - M INS.RTN: ADD R48-49: 100K (INPUT CAP DC RETURN) - M SOLO FEED: DEL 47U/25 CAPS (SERIES WITH R237,239) - LCR TO MON SW: ADD R156,159:100K DC RETURNS FOR SIGNALS AROUND SW11 - MTX SND BUFFER: CHNG -> U22: 2082 TO 4580; - PINK NOISE: CHNG -> R276:15K TO 100K; R283:5K TO 20K; C121: 47U/25 TO U1/50; - TB: REMOVE VR8 FROM FEEDBACK AROUND U21A. NOW LIKE MTX MSTR LEVEL CIRCUIT - HEADPHONE/TB PCB: CHANGE 3X1 AND 4X1 HEADERS TO 7X1 HEADER (HDR5) - MICRO: CHNG -> R50: 100 TO NU; ADD -> RC FOR ALL MUTE CMD LINES: R345,347,350: 5K; C47,58,69: U1/CXAK; ADD -> RC FOR ALL SOLO FET CMD LINES: R344,348-349,351-352: 1K; C18,20,65,67-68,71-72,150,152-153: U1/CXAK. CHNG -> DECOUPLING FOR SAFE/PREVIEW LED. REARRANGE TO DGND-2. REARRANGE C19,57,151; ADD -> C33,66,70: U1/CXAK. - STABILIZE PINK NOISE GENERATOR CHANGE C155 FROM 47/25 TO 470/25
00	B	7/6/00	3980	SLAV	- AUX7 MUTE TRIM: CHANGE R82 221R TO 143R, R129 3K TO 475R. - HI-REF FEED RESISTOR R353 CHANGE FROM 100K TO 100R0. -REMOVE IC SOCKETS: 8PIN SKT1-3, 5-9, 12-17, 20-22. 14PIN SKT18, 19. 16PIN SKT4, 10, 11. -REMOVE 4PIN HEADERS: HD2-5.

COMPANY:  **CREST AUDIO**

TITLE: **X8 MASTER 3 RT MAIN**

ORG DRAWN:	JRP	DATED:	3 MAR 97	CODE:	SIZE:	DRAWING NO:	REV:
CHECKED:		DATED:			D	7603496-00	00
CUR REV DRAWN:	PSM	DATED:	5/25/00			FILE NAME:	
RELEASED:		DATED:				X8M3RTM0.SCH	
SCALE:						SHEET: 5 of 5	

6

5

4

3

2

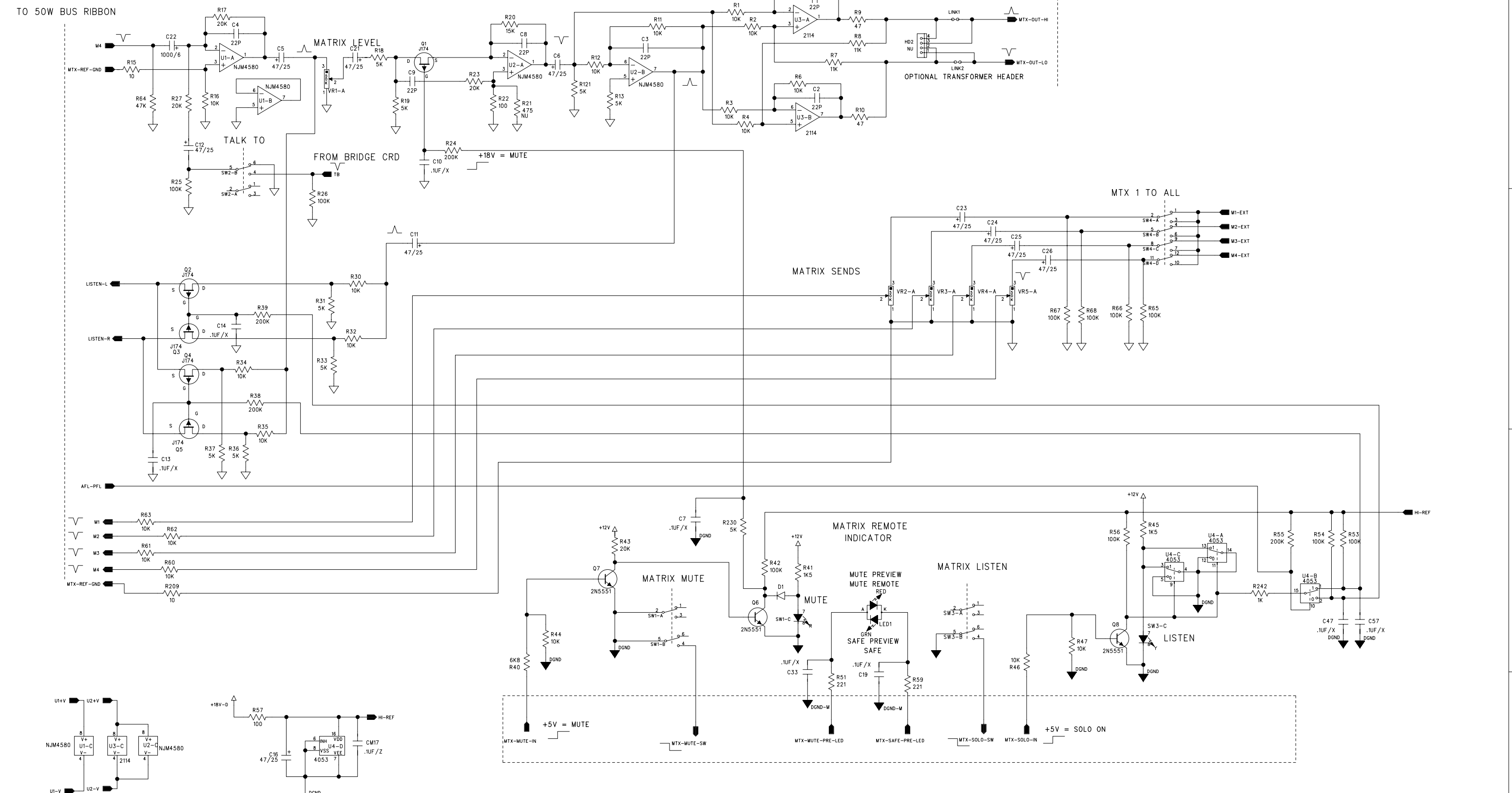
1

REVISION RECORD			
LTR	ECO NO:	APPROVED:	DATE:

TO 50W BUS RIBBON

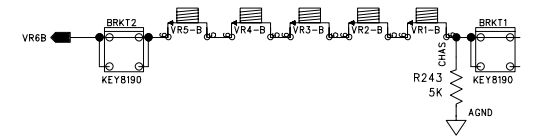
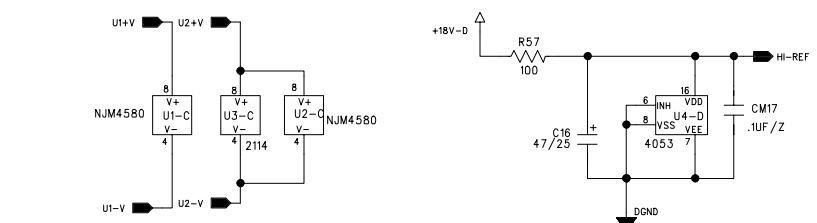
MATRIX MASTER

TO CONNECTOR CARD



A

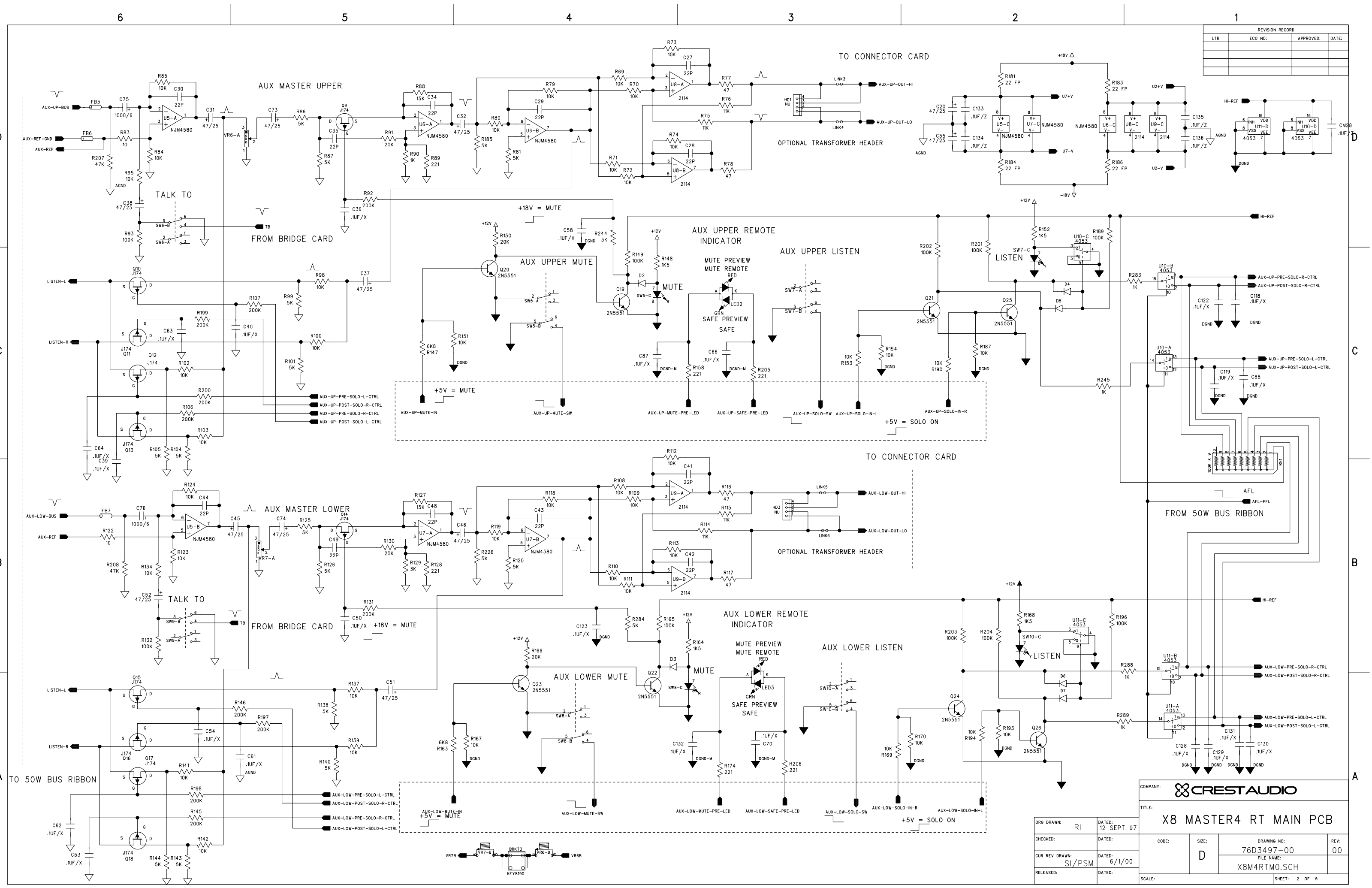
A



COMPANY: CRESTAUDIO	
TITLE: X8 MASTER4 RT MAIN PCB	
ORG DRAWN: RI	DATED: 12 SEPT 97
CHECKED:	DATED:
CUR REV DRAWN: S1/PSM	DATED: 6/1/00
RELEASED:	DATED:
SCALE:	
CODE:	SIZE: D
DRAWING NO: 76D3497-00	REV: 00
FILE NAME: X8M4RTMO.SCH	
SHEET: 1 OF 5	

8M4RTMO.SCH-1 - Mon Jun 30 15:48:51 2003

REVISION RECORD			
LTR	ECO NO:	APPROVED:	DATE:

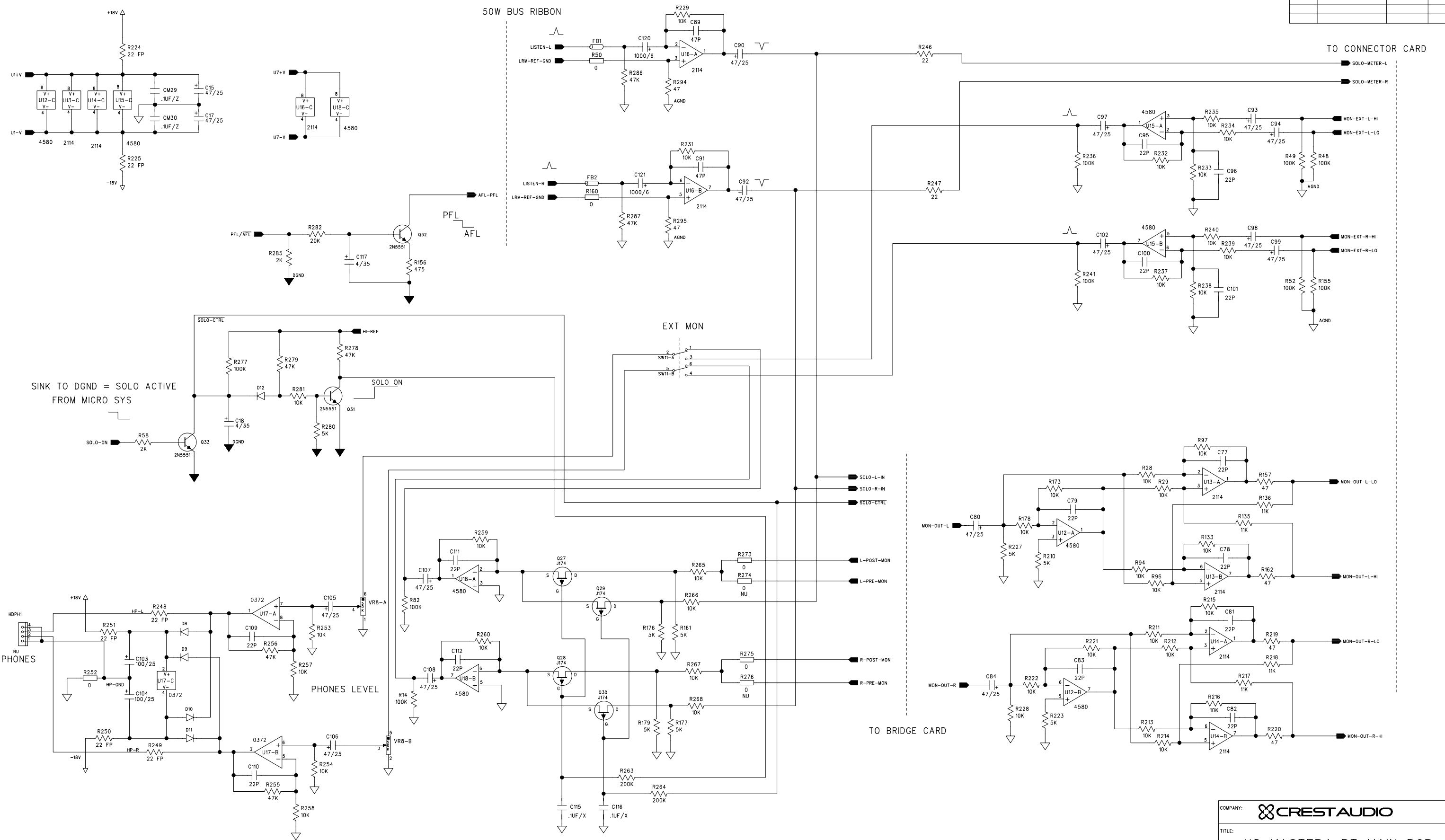


COMPANY: **CRESTAUDIO**

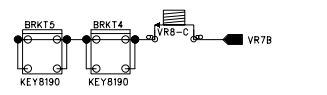
TITLE: **X8 MASTER4 RT MAIN PCB**

ORG DRAWN: RI	DATED: 12 SEPT 97	CODE:	SIZE: D	DRAWING NO: 76D3497-00	REV: 00
CHECKED:	DATED:	CUR REV DRAWN: SI/PSM	DATED: 6/1/00	FILE NAME: X8M4RTM0.SCH	
RELEASED:	DATED:	SCALE:	SHEET: 2 OF 5		

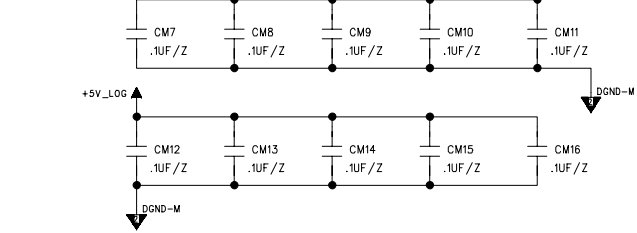
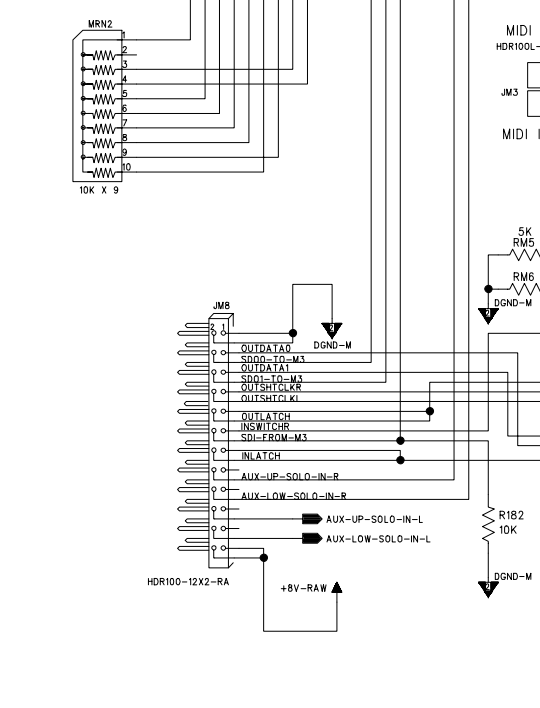
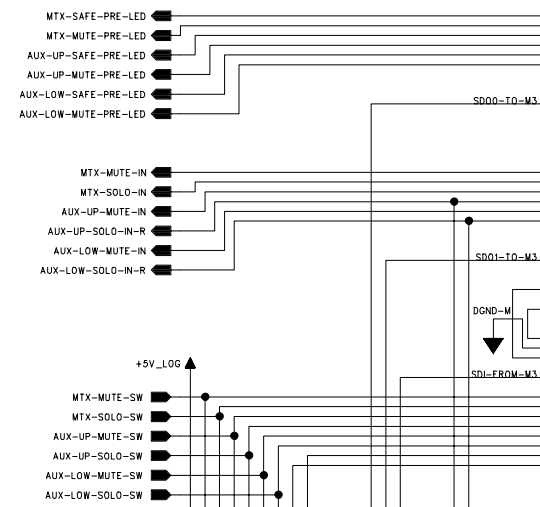
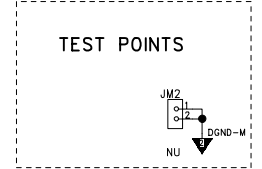
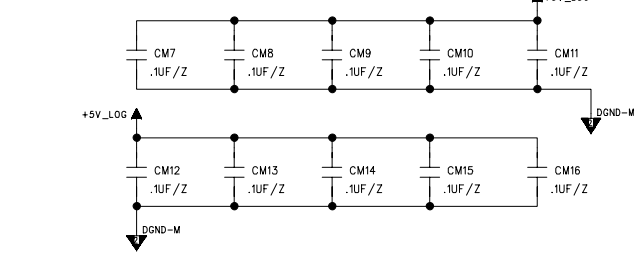
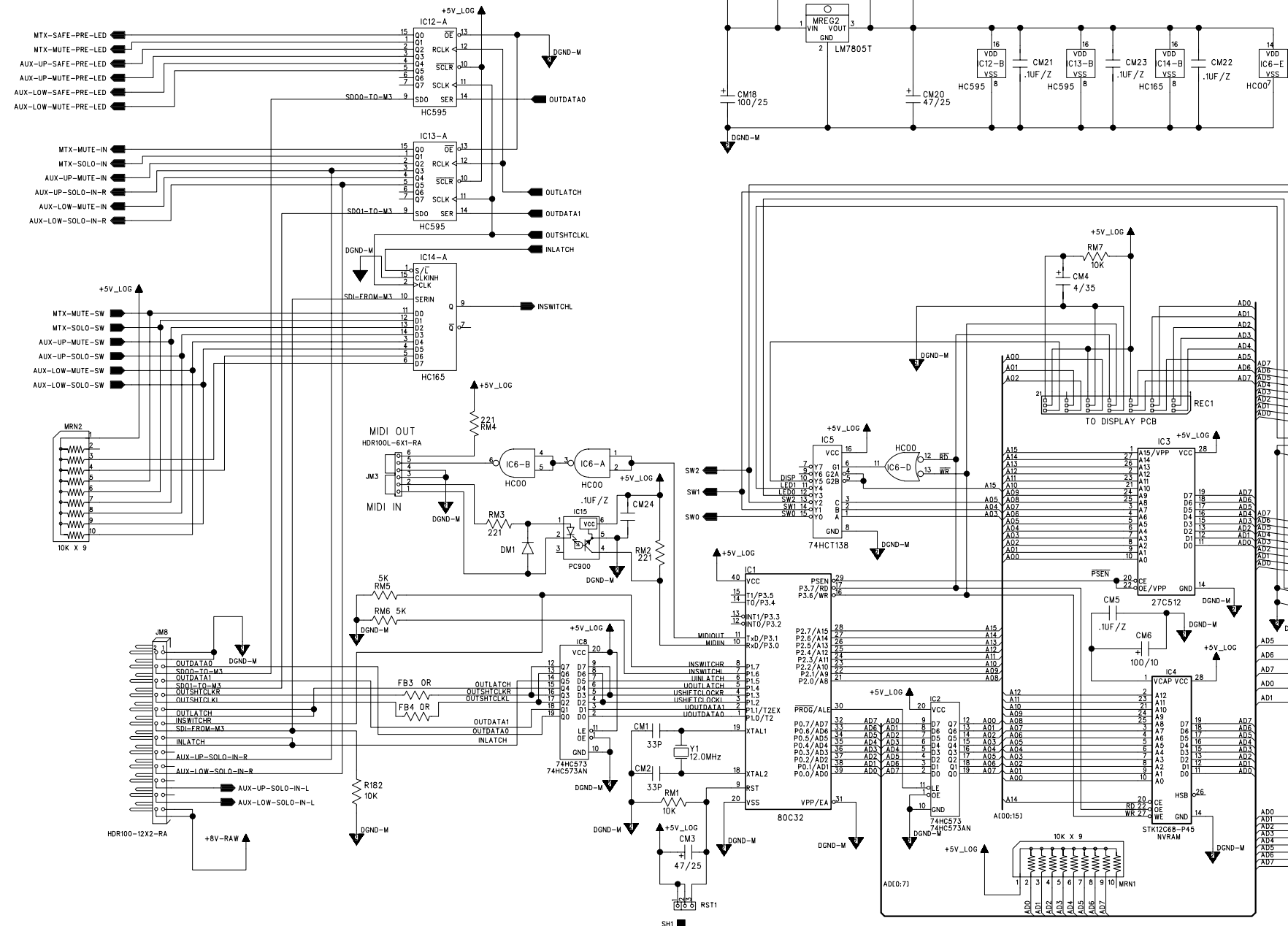
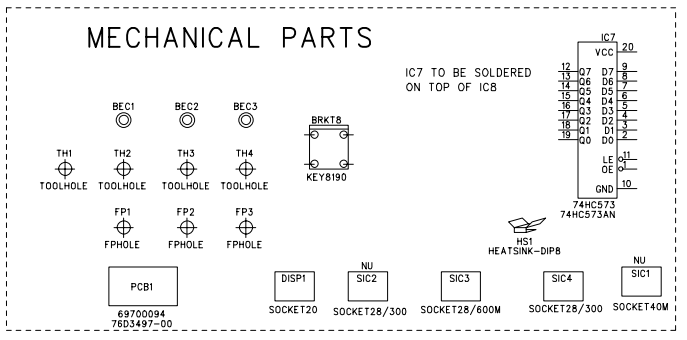
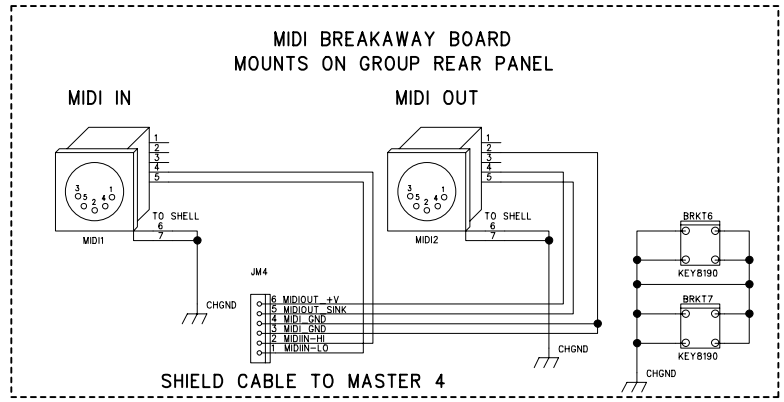
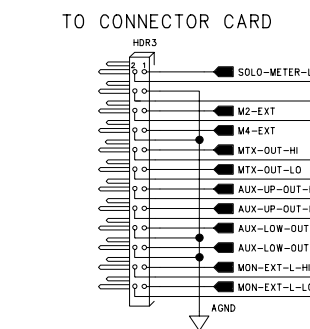
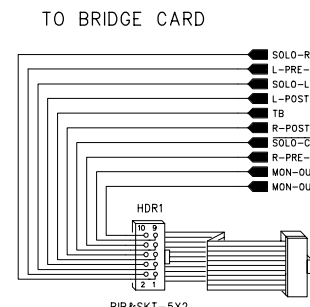
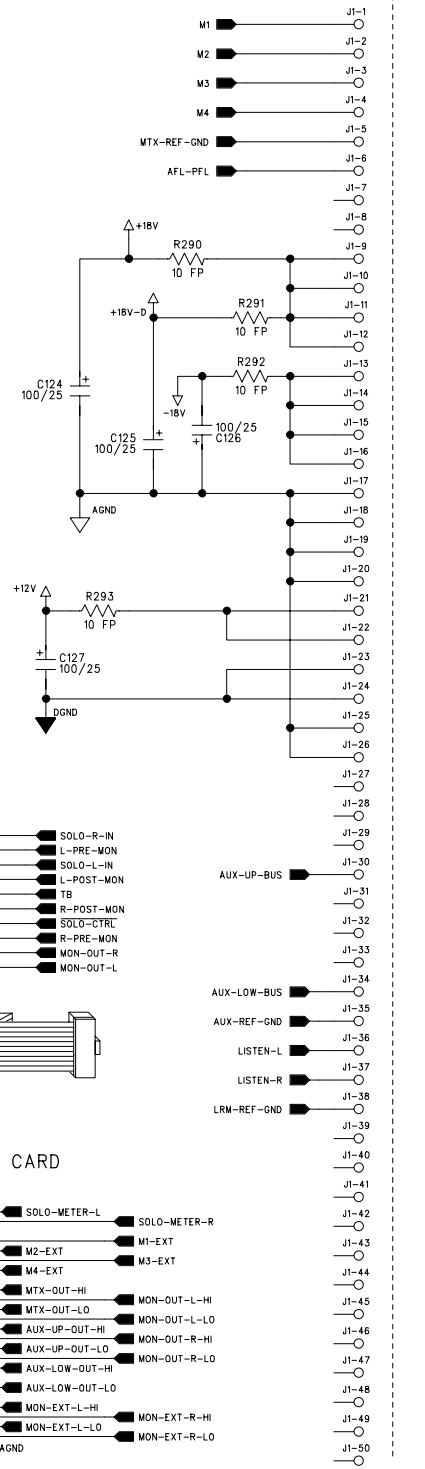
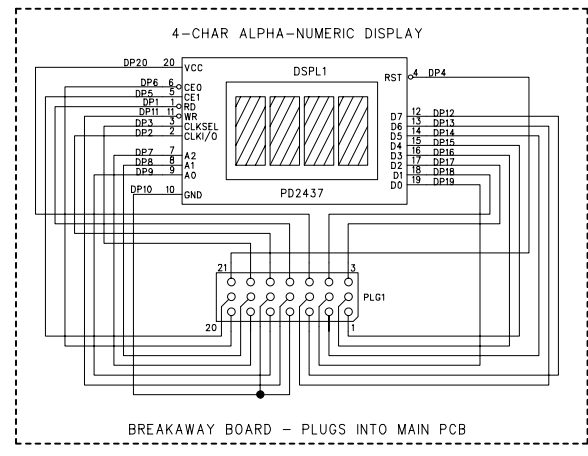
REVISION RECORD			
LTR	ECO NO:	APPROVED:	DATE:



COMPANY: CRESTAUDIO	
TITLE: X8 MASTER4 RT MAIN PCB	
ORG DRAWN: RI	DATED: 12 SEPT 97
CHECKED:	DATED:
CUR REV DRAWN: SI/PSM	DATED: 6/1/00
RELEASED:	DATED:
CODE: D	SIZE: 76D3497-00
DRAWING NO: 76D3497-00	REV: 00
FILE NAME: X8M4RTM0.SCH	SCALE: 3 OF 5



REVISION RECORD			
LTR	ECO NO:	APPROVED:	DATE:



COMPANY: CRESTAUDIO		TITLE: X8 MASTER4 RT MAIN PCB	
ORG DRAWN: RI	DATED: 12 SEPT 97	CODE: D	SIZE: 76D3497-00
CHECKED: S1/PSM	DATED: 6/1/00	DRAWING NO: 76D3497-00	REV: 00
CUR REV DRAWN: S1/PSM	DATED: 6/1/00	FILE NAME: X8M4RTM0.SCH	SCALE: 1:1
RELEASED: S1/PSM	DATED: 6/1/00	SHEET: 4 OF 5	

A

B

C

D

6

5

4

3

2

1

D


C

B

A

REVISION RECORD			
LTR	ECO NO:	APPROVED:	DATE:

REVISION RECORD					
REV LEVEL	ASMBLY LEVEL	DATE	ECO	ENG.	DESCRIPTION
00	A	6/1/00	????	PSM	<ul style="list-style-type: none"> - CHANGE PART NUMBER FROM 697-14 TO 697-94 - CHANGE ALL NJM20B2D TO NJM4580D. - POWER: CHNG-> C124-127: 47U/25 TO 100U/25. - BAL. OUTPUTS: ADDED OPT. TFMR HEADERS (MTX,AUX4&8) HD1-3. CHNG -> R13,82,120,210,223: 10K TO 5K. (DC BALANCE FOR 1ST STAGE) - SOLO: CHANGE RESISTORS FOR -2dBu FEED TO +4dBu MIX AMP. CHNG -> R30,32,34-35,98,100,102-103,137,139,141-142: 20K TO 10K. CHNG -> R31,33,36-37,99,101,104-105,138,140,143-144: 10K TO 5K. - MATRIX MIX: WANT -2dBu FROM -2dBu SOURCE WITH +6 XTRA. (10K FEED). CHNG -> R17,27: 10K TO 20K; - MATRIX MSTR: CORRECT POT SLUGGING AND GAIN. CHNG -> R20: 10K TO 15K; R18-19: 3K TO 5K. - MATRIX SENDS: CHANGE FEED TO MIX. CHNG -> R60-63: 5K TO 10K. - AUX4 MIX: FERRITE BEAD ADDITION. ADD -> FB5-6: FBEAD-INS. - AUX8 MIX: FERRITE BEAD ADDITION. ADD -> FB7: FBEAD-INS. - AUX4&8 MSTR: POT SLUGGING AND GAIN CORRECTIONS. CHNG -> R86-87,125-126: 3K TO 5K; R88,127: 10K TO 15K; - MICRO: ADD -> RC FOR ALL MUTE CMD LINES: R224,230,284: 5K; C7,58,123: U1/CXAK; R361,363,366: 5K; C167,171,177: U1/CXAK; ADD -> RC FOR ALL SOLO FET CMD LINES: R242,245,283,288-289: 1K; C47,57,88,118-119,122,128-131: U1/CXAK. CHNG -> DECOUPLING FOR SAFE/PREVIEW LED. REARRANGE TO DGND-2. REARRANGE C19,66,70; ADD -> C33,87,132: U1/CXAK. CHNG -> IC4: STK12C68 TO STK12C68 P-45. (CHANGED .600 TO .300 WIDE) - REWIRE CM24: SHOULD BE POWER DECOUPLING OF IC15. PIN5 - PIN6. - PARALLEL DRIVES OF OUTSHTCLKL & OUTSHTCLKR. (IC8) ADD -> FB3-4: FBEAD-INS. (IN SERIES WITH SHIFT CLOCK SIGNALS) - ADD -> RST1: HDR3X1. (RESET HEADER WITH SHUNT) - AFL/PFL SWITCH: CHNG -> MSW2: SW-2PDT-5MM TO SW-2P+LED-R ADD -> RM13: 324R. - RECALL SWITCH: CHNG -> MSW6: SW-SP+LED-G-MOM TO SW-2P+LED-Y-MOM. - HEADPHONE MIX: DEL 47U/25 AND 100K AT INV-INP OF U18A & U18B. - EXT. MON BUFFER: ADD -> R48-49,52,155: 100K (DC RETURN FOR INP. CAP) - NEW SOLO MIX AMP CONFIGURATION: USE LRM REF GND TO NON-INV-INP. ADD -> R50,160: OR; R294-295: 47R5; FB1-2: FBEAD-INS; CHNG -> R229,231: 20K TO 10K; C89,91: 22P TO 47P. - SOLO CMD: ADD -> C18:4U7/35. (ADD TO CATHODE OF D12) - AFL/PFL CMD: CHNG -> R282:47K TO 20K; C117: U1/CXAK TO 4U7/35; ADD -> R156:1K; R285:2K; DEL -> 20K TO DGND FROM BASE OF Q32. - POWER DECOUPLING U12-15: ADD - C15,17: 47U/25. - POWER DECOUPLING U5,7,16,18: ADD -> C20,55: 47U/25.
00	B	7/6/00	3981	SLAV	<ul style="list-style-type: none"> - AUX4 MUTE TRIM: CHANGE R89 324R TO 221R, R90 3K TO 1K0. - MICRO: CHANGE FB3 AND FB4 TO OR RESISTORS. CHANGE IC10 , 11 FROM HCT TO HC TYPE: 74HC574 (57-194) CHANGE IC2 , 8 FROM HCT TO HC TYPE: 74HC573 (57-37) CHANGE MREG2 LM7805 P/N TO 71-7. - REMOVE IC SOCKETS: 8PIN SKT1-3, 5-9, 12-16, 18. 16PIN SKT4, 10, 11. - REMOVE 4PIN HEADERS: HD1-3.
00	C	9/7/00	4033	TAZ	<ul style="list-style-type: none"> - RESET TIMING CAP CHANGED BECAUSE OF SLOWER POWER UP OF SWITCHING POWER SUPPLY. (THIS NOW MATCHES THE VALUE IN ALL OTHER X SERIES) CHANGE CM3 FROM 4UF TO 47UF/25V.
00	D	10/19/00	4089	TAZ	<ul style="list-style-type: none"> - INCREASE DRIVE TO AFL/PFL BUS - NOT ENOUGH ON LARGE FRAME CONSOLE CHANGE R156 FROM 1K0 TO 475R.
00	E	11/22/00	4127	TAZ	<ul style="list-style-type: none"> - REMOVE SOCKETS SIC1 AND SIC2 FROM BOM.
00	F	11/28/00	4128	TAZ	<ul style="list-style-type: none"> - MICRO COMMUNICATION PROBLEMS ON NEW LARGER FRAMES (64 WAY) ADD IC7 74HC573 .

COMPANY:  **CREST AUDIO**

TITLE: **X8 MASTER 4 RT MAIN PCB**

ORG DRAWN: RI	DATED: 9/12/97	CODE:	SIZE: D	DRAWING NO: 76D3497-00	REV: 00
CHECKED:	DATED:			FILE NAME: X8M4RTM0.SCH	
CUR REV DRAWN: PSM	DATED: 6/1/00				
RELEASED:	DATED:	SCALE:	SHEET: 5 OF 5		

6

5

4

3

2

1

REVISION RECORD		
ECO NO:	APPROVED:	DATE:

D

C

B

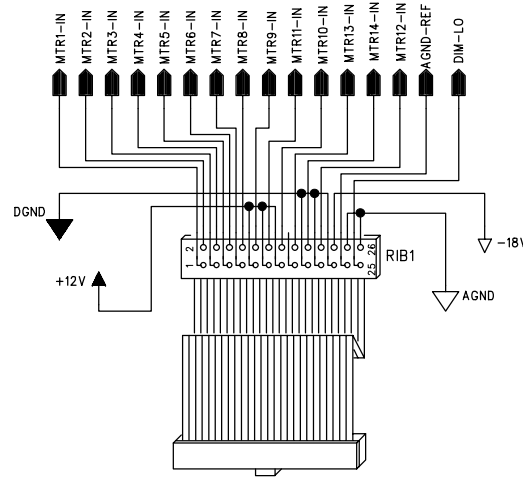
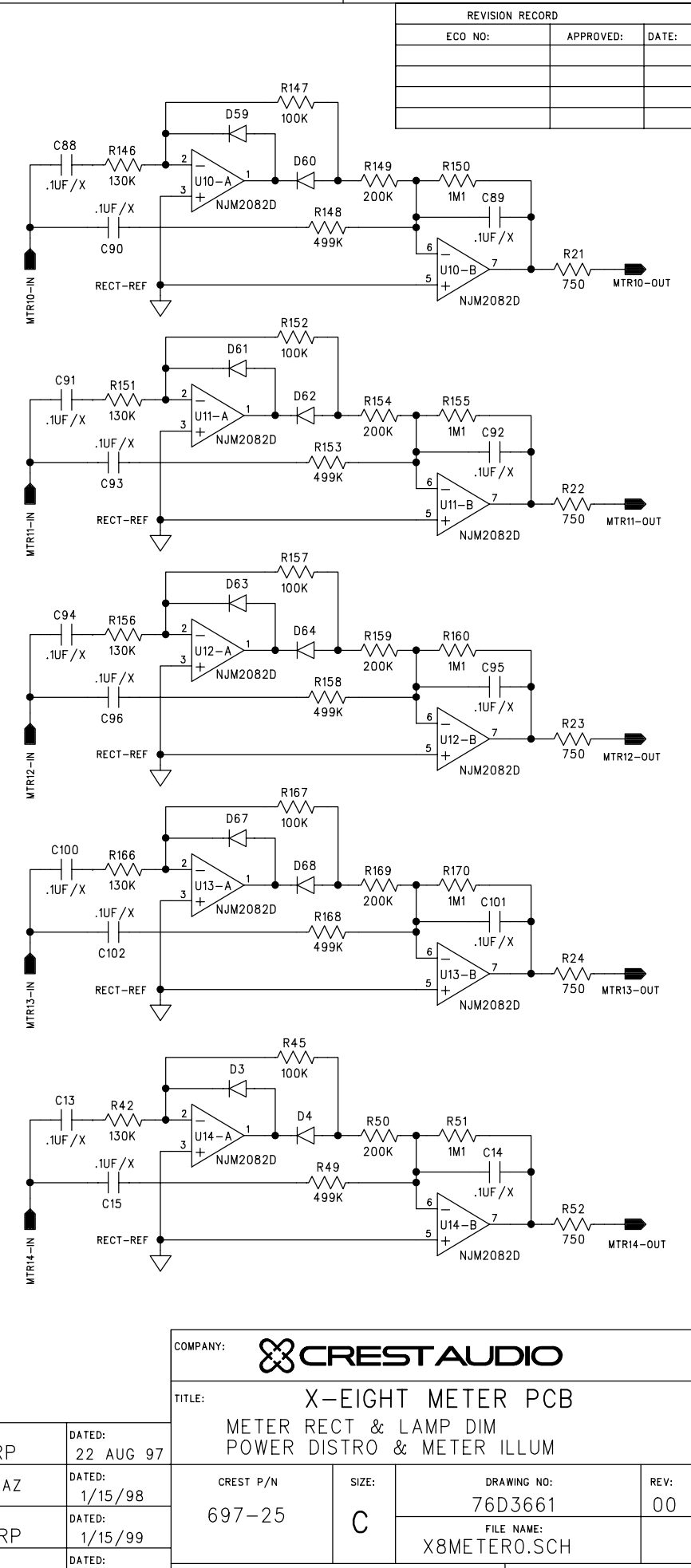
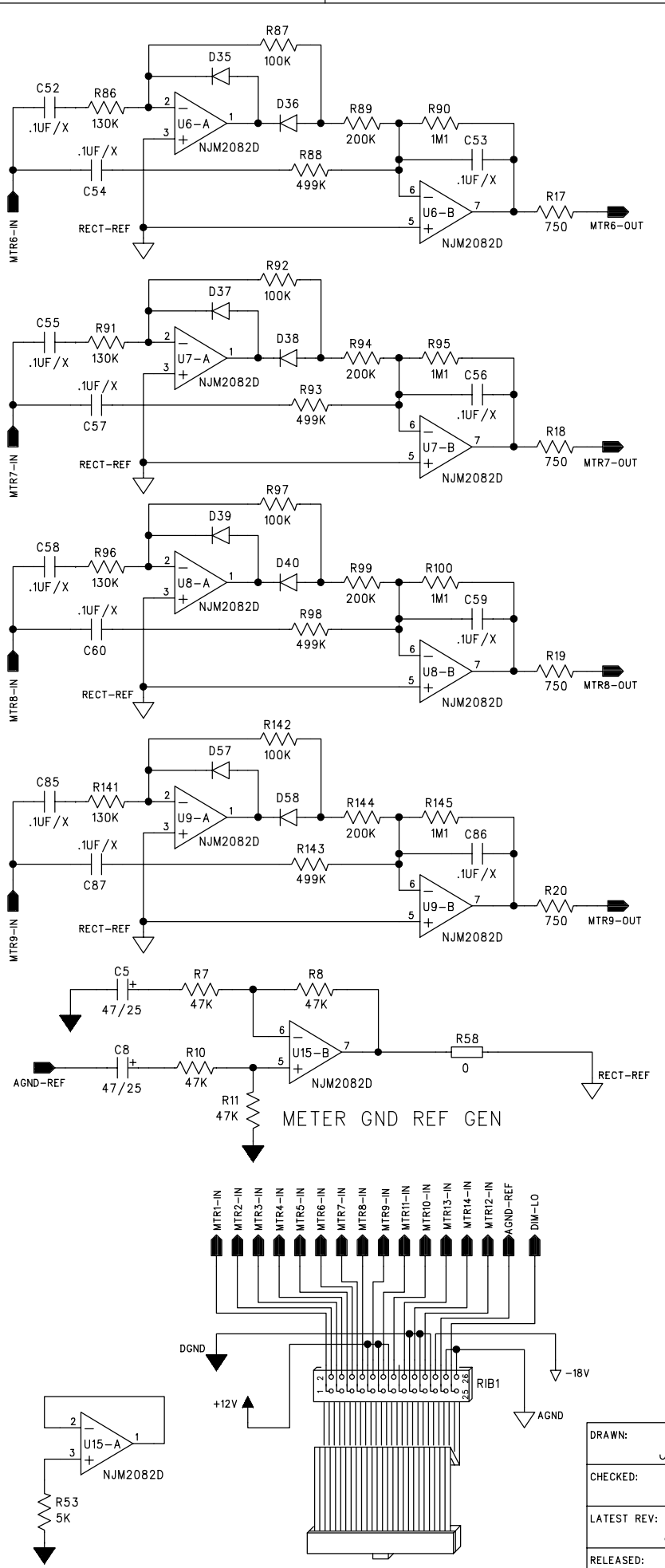
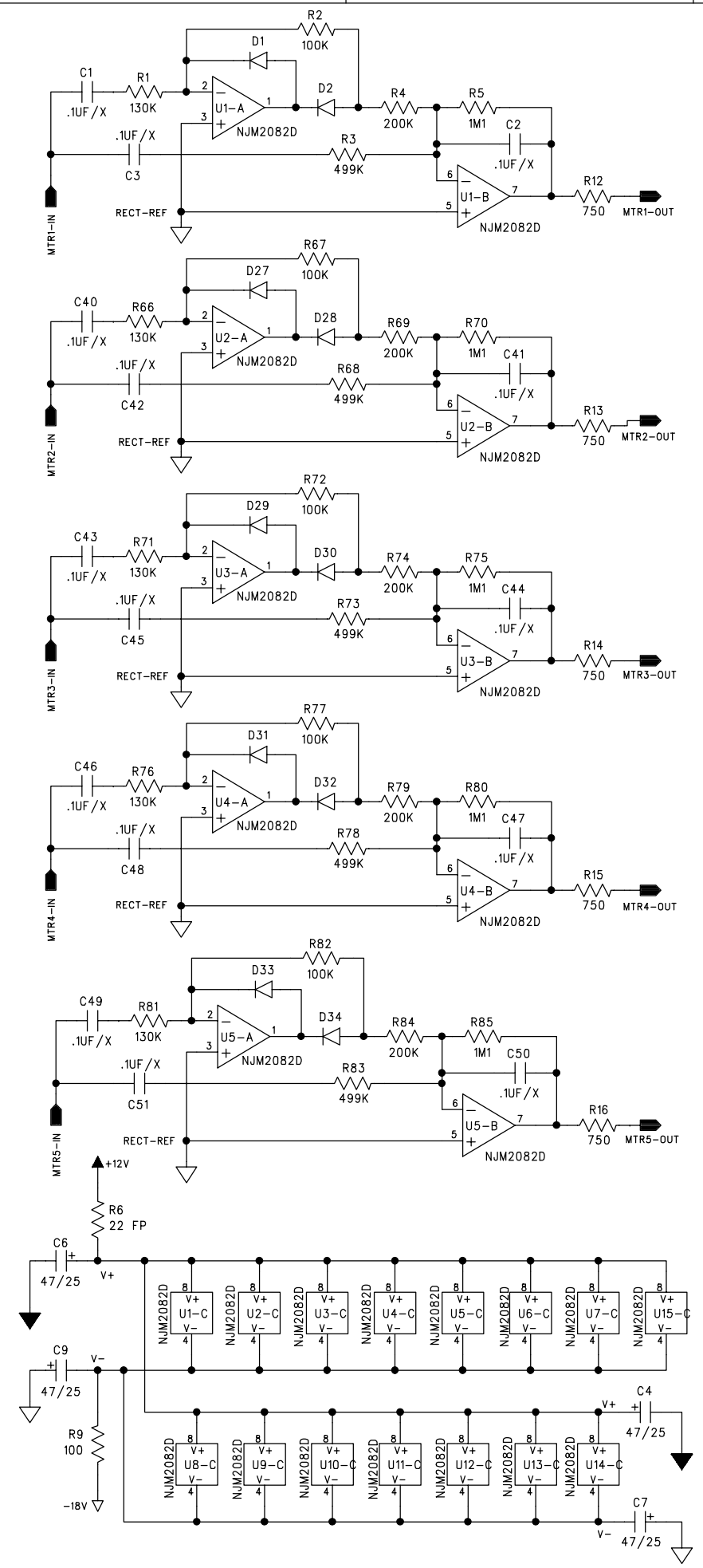
A

D

C

B

A



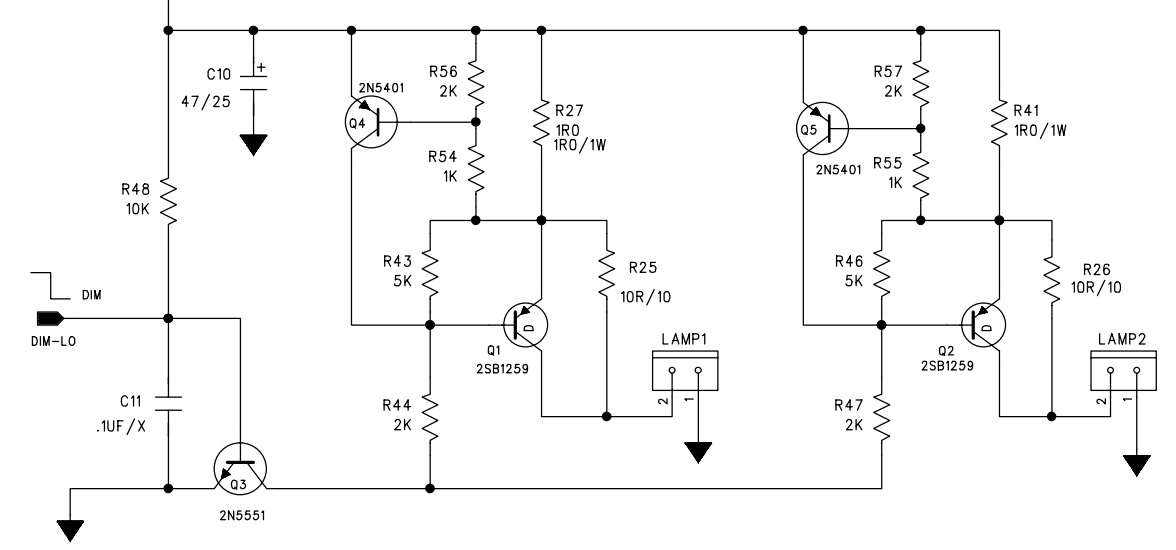
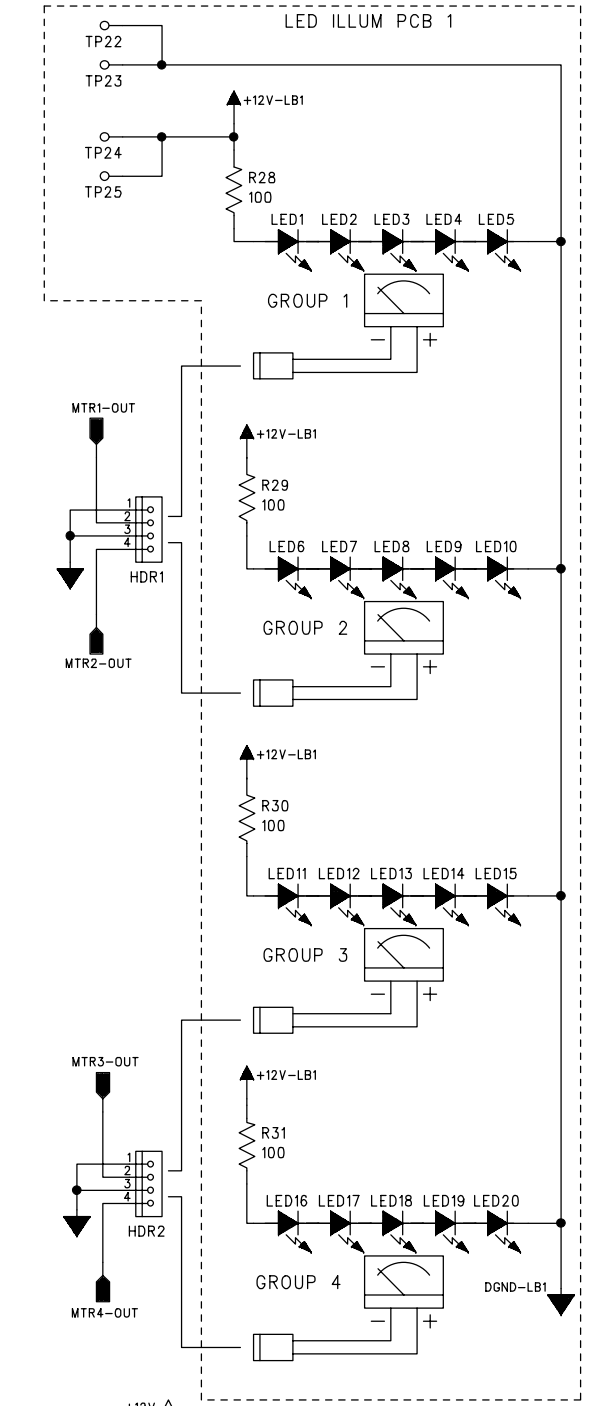
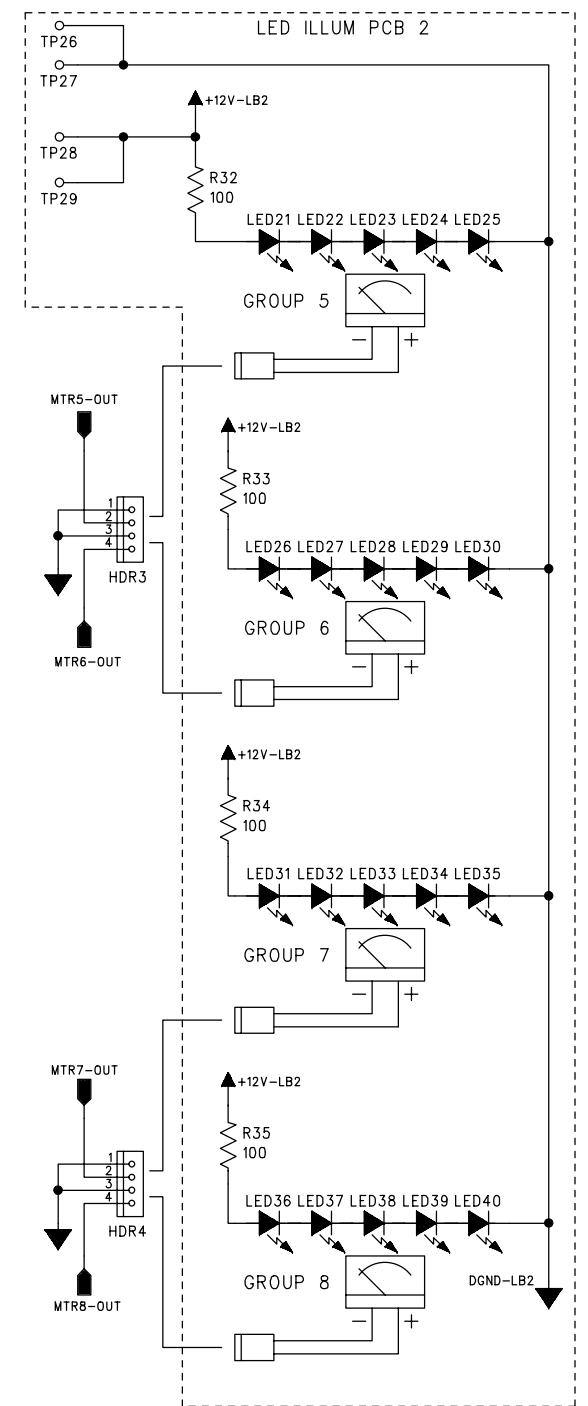
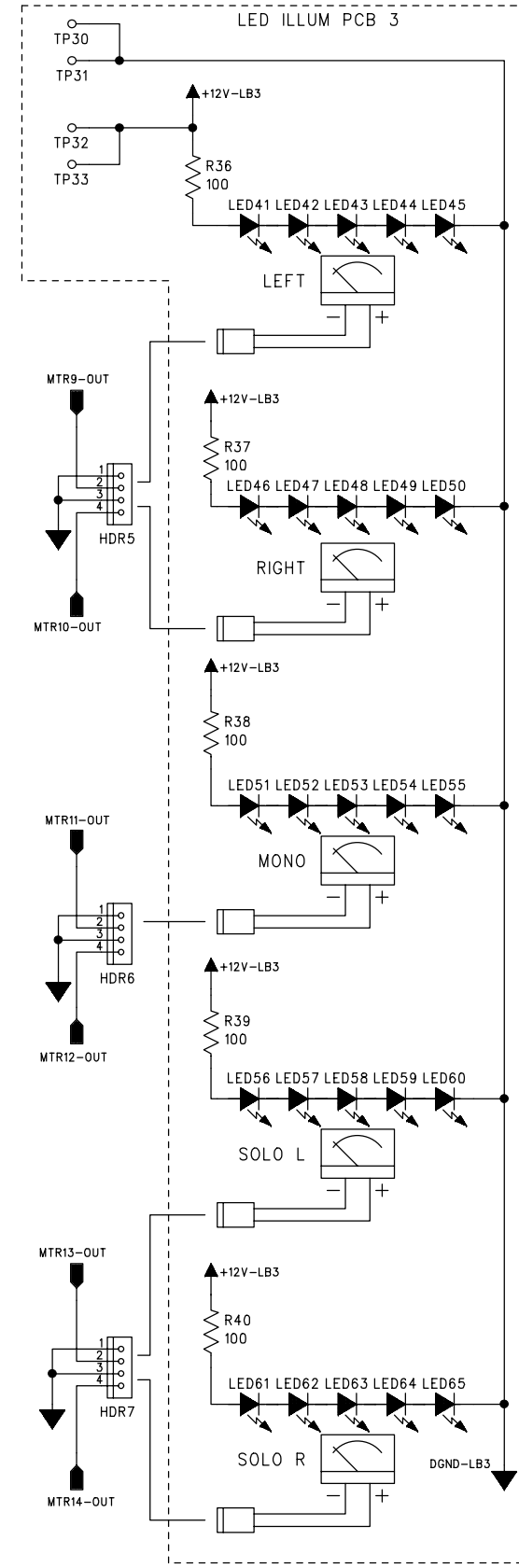
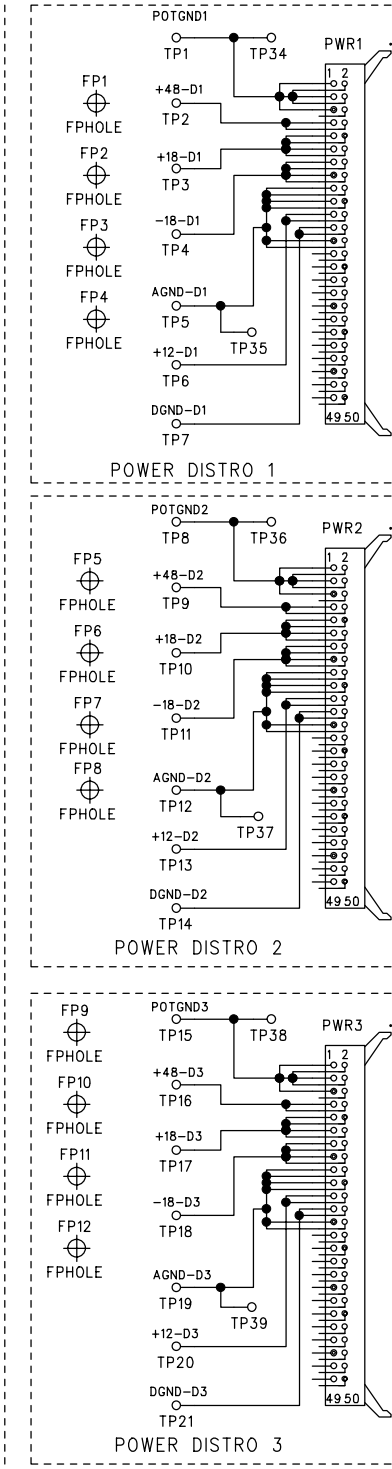
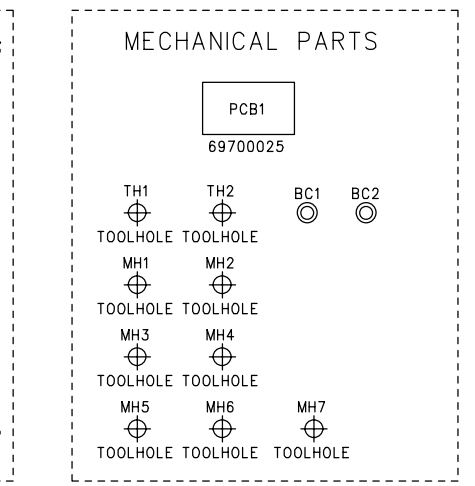
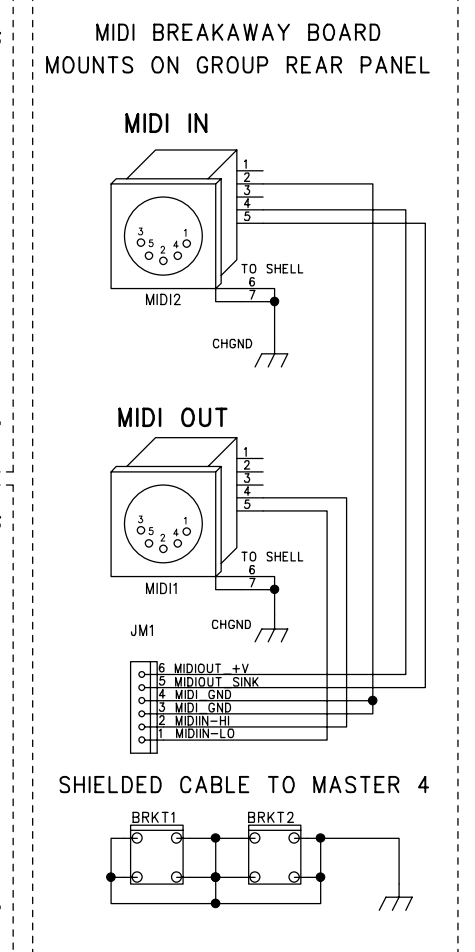
COMPANY: **CREST AUDIO**

TITLE: **X-EIGHT METER PCB**
METER RECT & LAMP DIM
POWER DISTRO & METER ILLUM

DRAWN: JRP	DATED: 22 AUG 97	CREST P/N 697-25	SIZE: C	DRAWING NO: 76D3661	REV: 00
CHECKED: TAZ	DATED: 1/15/98			FILE NAME: X8METER0.SCH	
LATEST REV: JRP	DATED: 1/15/99			SHEET: 1 OF 2	
RELEASED:	DATED:				

DRAWN: JRP	DATED: 22 AUG 97
CHECKED: TAZ	DATED: 1/15/98
LATEST REV: JRP	DATED: 1/15/99
RELEASED:	DATED:

REVISION RECORD			
LTR	ECO NO:	APPROVED:	DATE:



DRAWN: JRP	DATED: 22 AUG 97
CHECKED: TAZ	DATED: 1/15/98
LATEST REV: JRP	DATED: 12 FEB 99
RELEASED:	DATED:

COMPANY: **CREST AUDIO**

TITLE: **X8 METER RECT & LAMP DIM PCB PLUS POWER DISTRO & METER ILLUM**

CODE: 697-25	SIZE: C	DRAWING NO: 76D3661	REV: 00
SCALE:		FILE NAME: X8METER0.SCH	SHEET: 2 OF 2