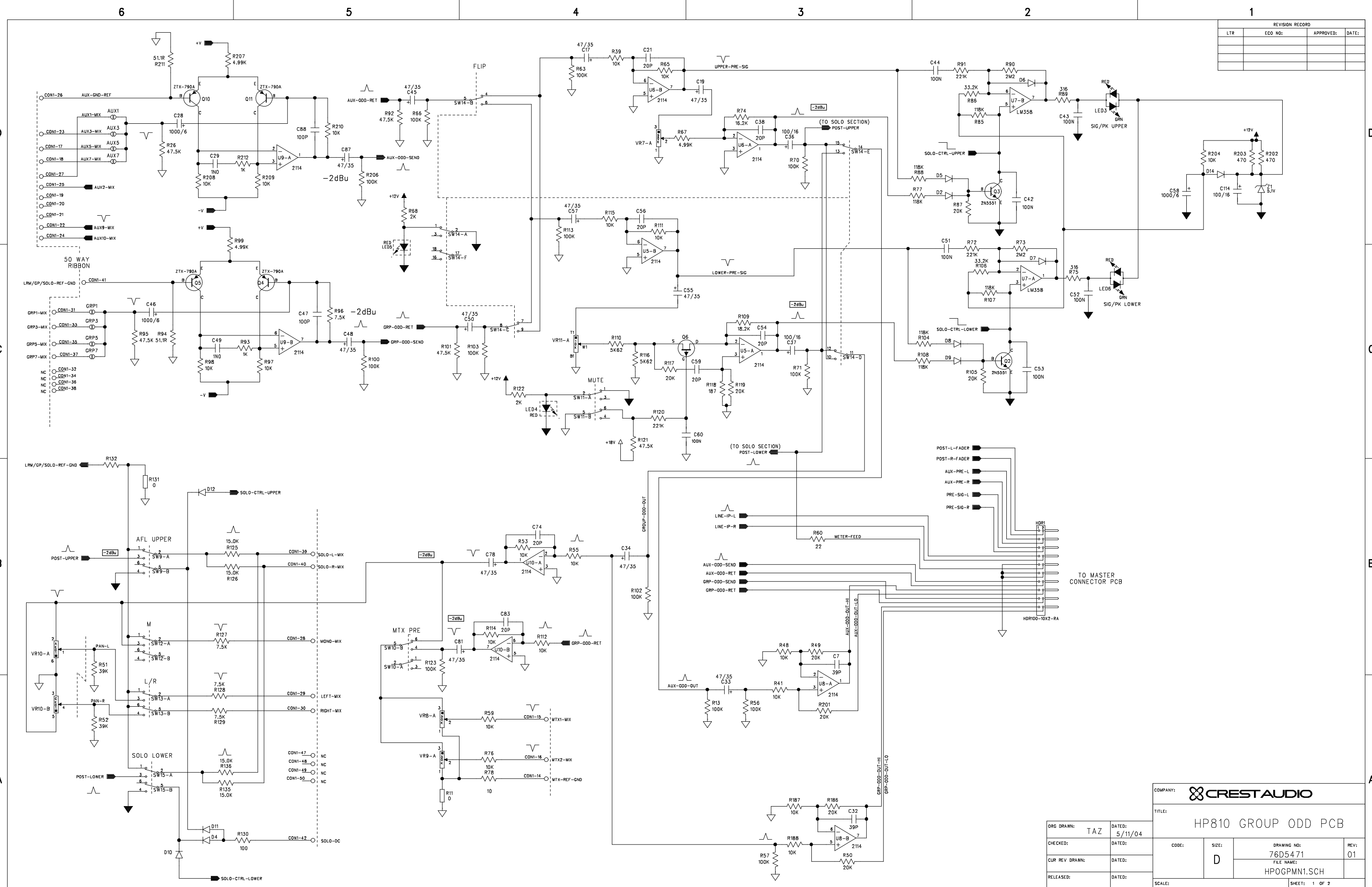


REVISION RECORD			
LTR	ECO NO:	APPROVED:	DATE:



COMPANY: CRESTAUDIO		TITLE: HP810 GROUP ODD PCB	
ORG DRAWN: TAZ	DATED: 5/11/04	CODE: D	REV: 01
CHECKED:	DATED:	DRAWING NO: 76D5471	FILE NAME: HPOGPMN1.SCH
CLUR REV DRAWN:	DATED:	SCALE:	SHEET: 1 OF 2
RELEASED:	DATED:		

6

5

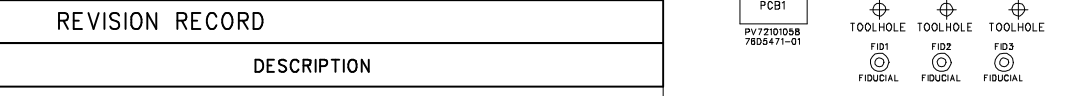
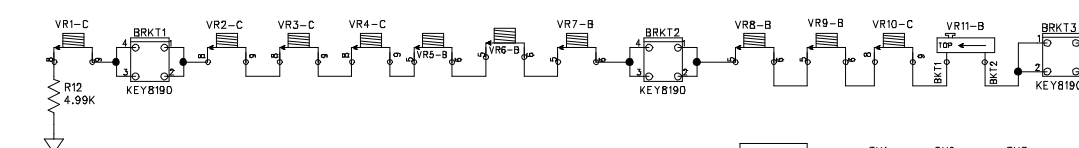
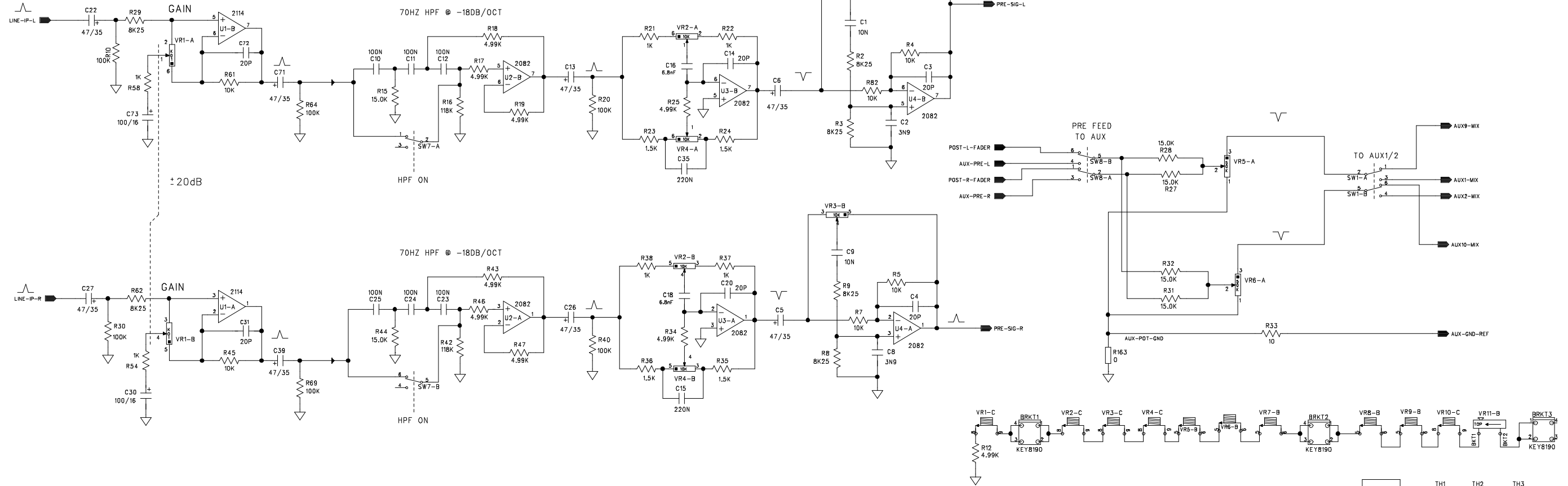
4

3

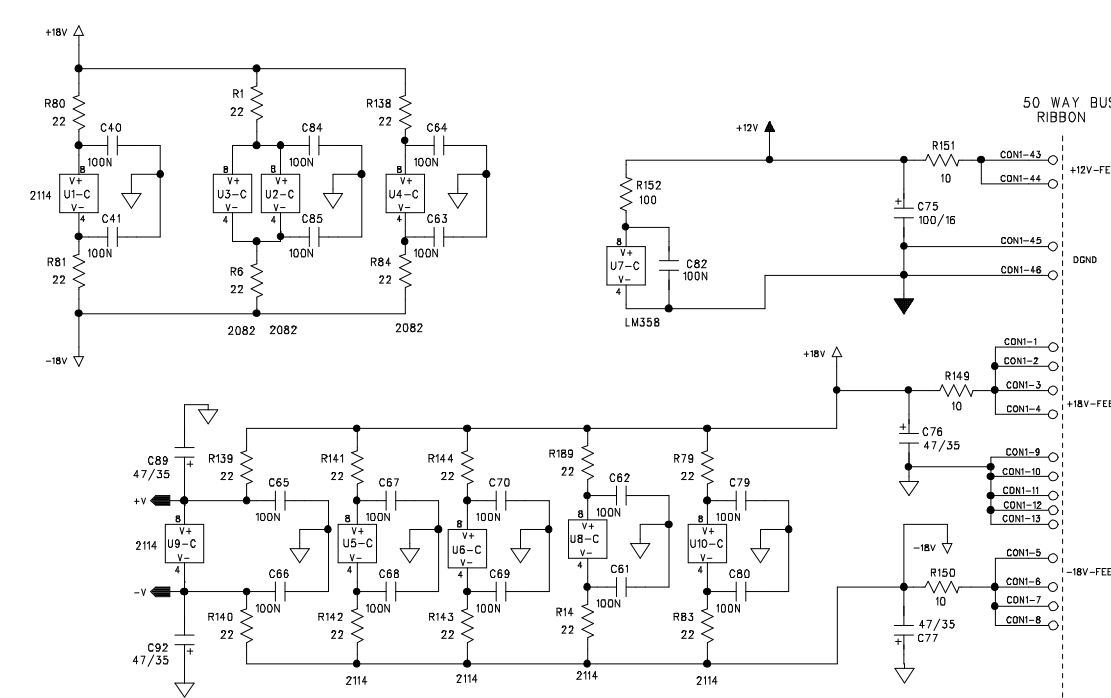
2

1

REVISION RECORD			
LTR	ECO NO:	APPROVED:	DATE:



REVISION RECORD					
REV LEVEL	ASMBLY LEVEL	DATE	ECO	ENG.	DESCRIPTION
A	A	9/03		TAZ	PROTOTYPE PCB
B	A	10/29/03	DCO 1339	TAZ	PCB REVISION FROM A TO B MOVED ALL SWITCHES UP BY 0.060" TO USE NEW SWITCH CAPS SO AS SAME HEIGHT AS SWITCHES ON INPUT MODULES - INTERNAL WORKING LEVEL CHANGE FROM +4dBu TO -2dBu CHANGE R74 FROM 30.1K TO 16K2 CHANGE R109 FROM 33K2 TO 18K25 CHANGE R87, R105 FROM 10K7 TO 20K CHANGE R49, R201, R186, R50 FROM 10K TO 20K CHANGE C7, C32 FROM 100pF TO 39 pF CHANGE R125, R126, R136, R135 FROM 30.1K TO 15K CHANGE R127, R128, R129 FROM 15K TO 7K5 - MUTE TRIM CHANGE R118 FROM 499R TO 187R - REMOVE GLITCH THAT OCCURS WHEN SOLO SWITCH RELEASED ADD C86 AND C90 (100nF) - CHANGE STEREO RETURN MID EQ TO PEAKING AT 2KHz CHANGE C1, C9 FROM 5N6 TO 10N CHANGE C2, C8 FROM 2N2 TO 3N9 -CORRECT PAN LOAD - CHANGE R51 AND R52 FROM 10K7 TO 39K - CORRECT ERROR CHANGE R45 FROM 15K TO 10K
00	A	1/14/03		TAZ	PCB REVISION FROM B TO 00 - RELEASE TO PRODUCTION REMOVE C86 AND C90 (100nF) - CAUSING ALL SOLO'S ON CONSOLE TO GLITCH LED3 MECHANICALLY POSITIONED 0.050" LOW. MUTE TRIM - CHANGE R119 FROM 2K TO 20K
01	A	5/11/03		TAZ	PCB REVISION FROM 00 TO 01 - AUX9/10 SPEC IMPROVE CHANGED TRACKING OF STEREO FEED TO AUX 9/10 (IMPROVE NOISE/XTALK SPEC) CHANGE VR5 AND VR6 FROM DUAL TO SINGLE POT ADDED SW1 (INTERNAL SWITCH FOR OPTION SELECT)



COMPANY: **CRESTAUDIO**

TITLE: **HP810 ODD GROUP PCB**

ORG DRAWN: TAZ DATED: 5/11/04

CHECKED: DATED:

CLUR REV DRAWN: DATED:

RELEASED: DATED:

CODE: D SIZE: DRAWING NO: 76D5471 REV: 01

FILE NAME: HPOGPMN1.SCH

SCALE: SHEET: 2 OF 2