

6

5

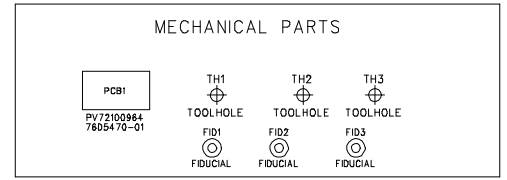
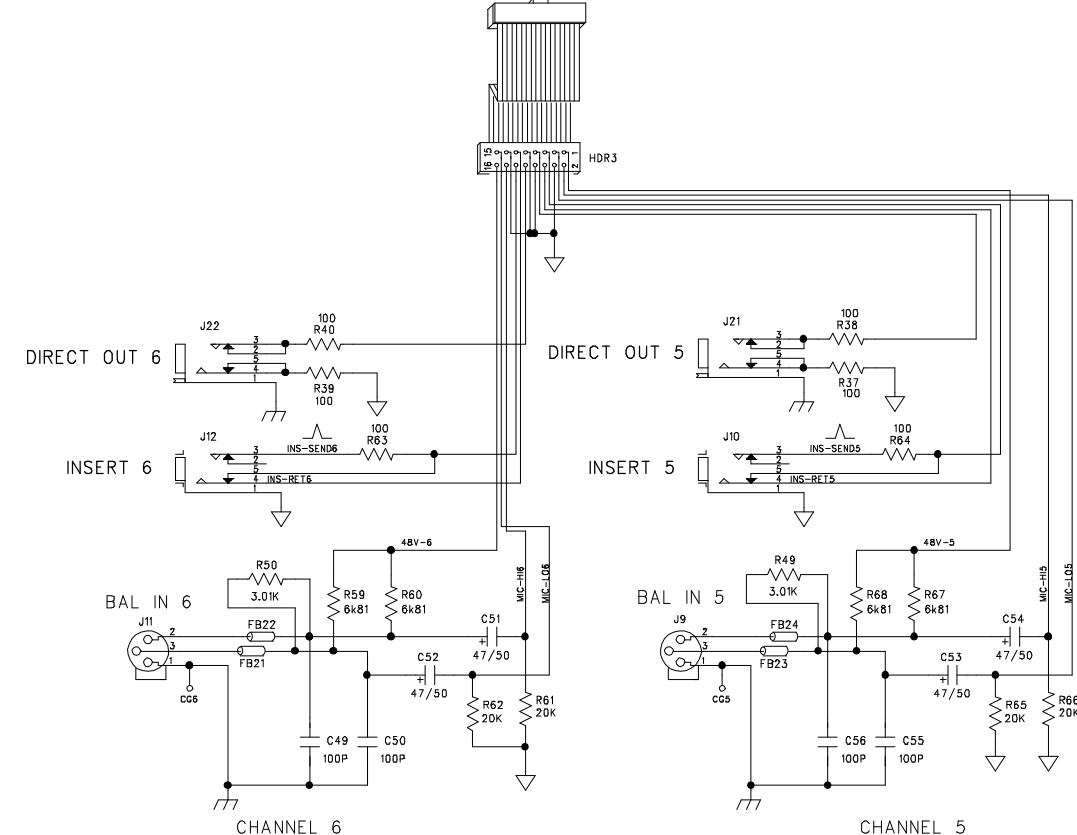
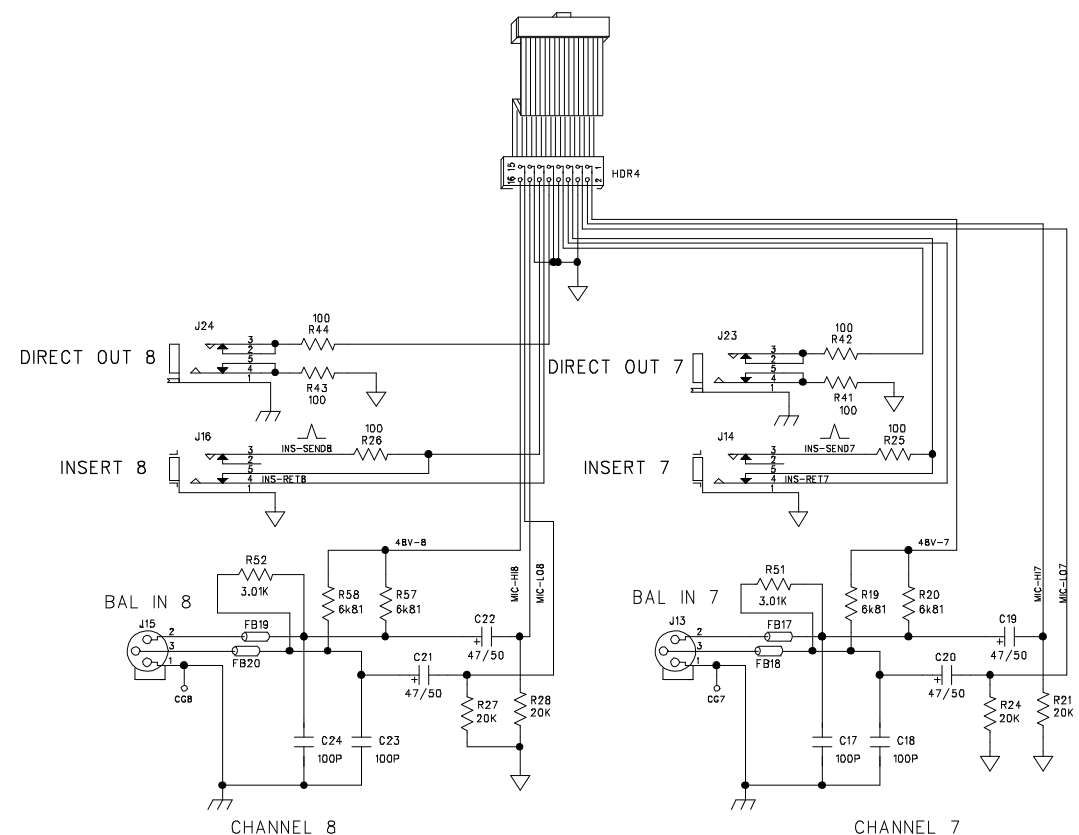
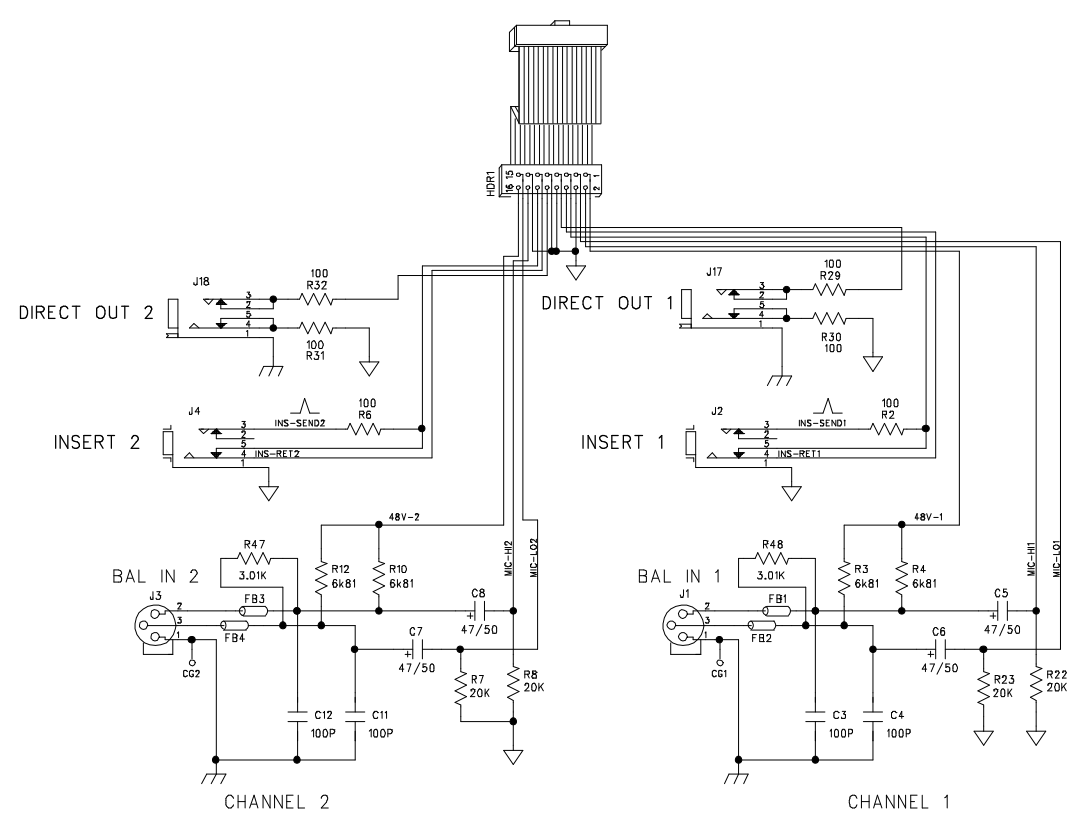
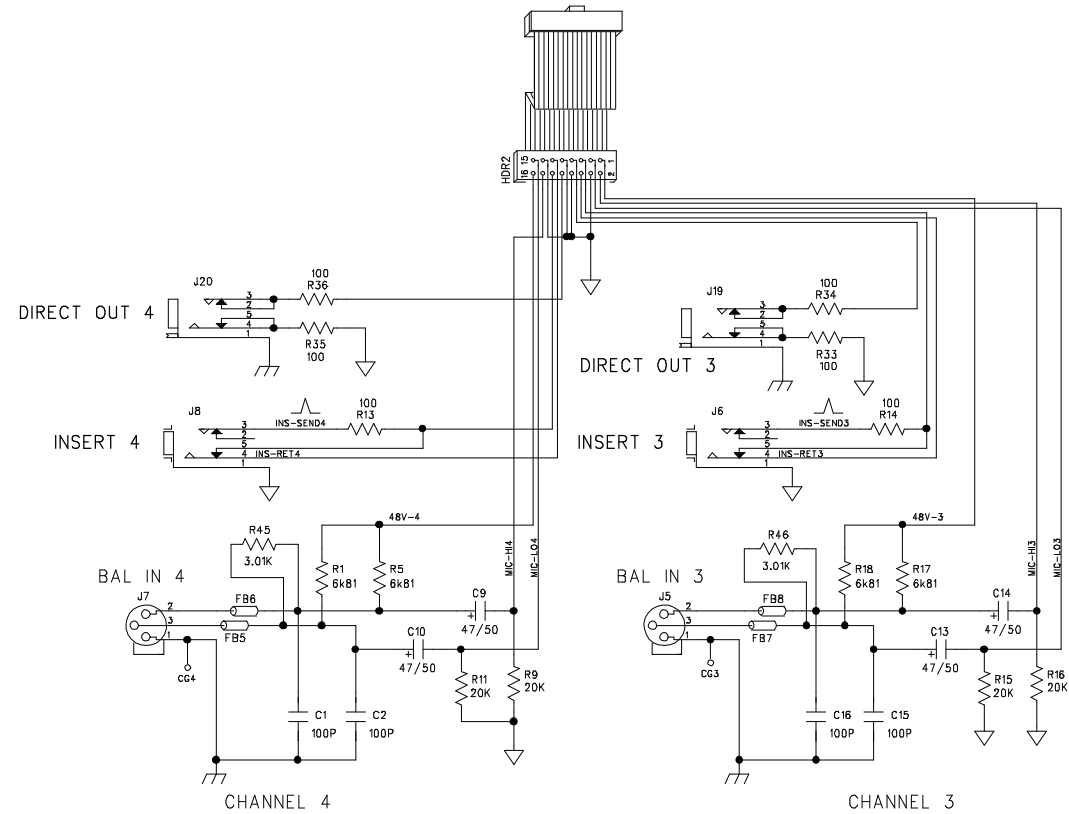
4

3

2

1

| REVISION RECORD | | | |
|-----------------|---------|-----------|-------|
| LTR | ECO NO: | APPROVED: | DATE: |
| | | | |
| | | | |
| | | | |



| | | | |
|----------------------------|----------------|--|---------------|
| COMPANY: CRESTAUDIO | | TITLE: HP-8 INPUT CONNECTOR PCB | |
| ORG DRAWN: TAZ | DATED: 1/24/04 | CODE: D | SIZE: D |
| CHECKED: | DATED: | DRAWING NO: 76D5470 | REV: 01 |
| CLUR REV DRAWN: | DATED: | FILE NAME: HPINPCN1.SCH | |
| RELEASED: | DATED: | SCALE: | SHEET: 1 OF 2 |

D

C

B

A

D

C

B

A

6

5

4

3

2

1

| REVISION RECORD | | | |
|-----------------|---------|-----------|-------|
| LTR | ECO NO: | APPROVED: | DATE: |
| | | | |
| | | | |
| | | | |

| REVISION RECORD | | | | | |
|-----------------|--------------|----------|----------|------|--|
| REV LEVEL | ASMBLY LEVEL | DATE | ECO | ENG. | DESCRIPTION |
| A | A | 9/03 | | TAZ | PROTOTYPE PCB |
| B | A | 10/21/03 | DCO 1333 | TAZ | CHANGE REVISION FROM A TO B OSCILLATION IN MIC PRE AT FULL GAIN DUE TO LAYOUT. (CAUSED BY INSERT RET SIG) ADDED R45 TO R52 (3K01) |
| 0 | A | | | | RELEASE TO PRODUCTION |
| 1 | A | 2/23/04 | | JP | ADD GND-PIN CONNECTION TO EACH XLR FOOTPRINT. ALLOWS NC3FAV-2 JACK TO BE USED AS WELL AS NC3FAV-1 JACK |

D

D

C


C

B

B

A

A

| | | | | | |
|----------------|--|----------------|--|---|---------|
| ORG DRAWN: TAZ | | DATED: 1/24/04 | | COMPANY:  CRESTAUDIO | |
| CHECKED: | | DATED: | | TITLE: HP810 INPUT CONNECTOR PCB | |
| CUR REV DRAWN: | | DATED: | | CODE: | SIZE: D |
| RELEASED: | | DATED: | | DRAWING NO: 76D5470 | |
| | | | | REV: 01 | |
| | | | | FILE NAME: HPINPCN1.SCH | |
| | | | | SCALE: | |
| | | | | SHEET: 2 OF 2 | |