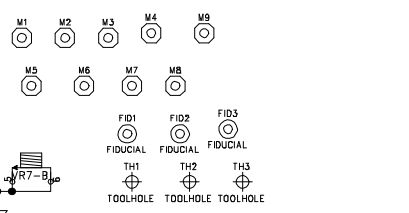
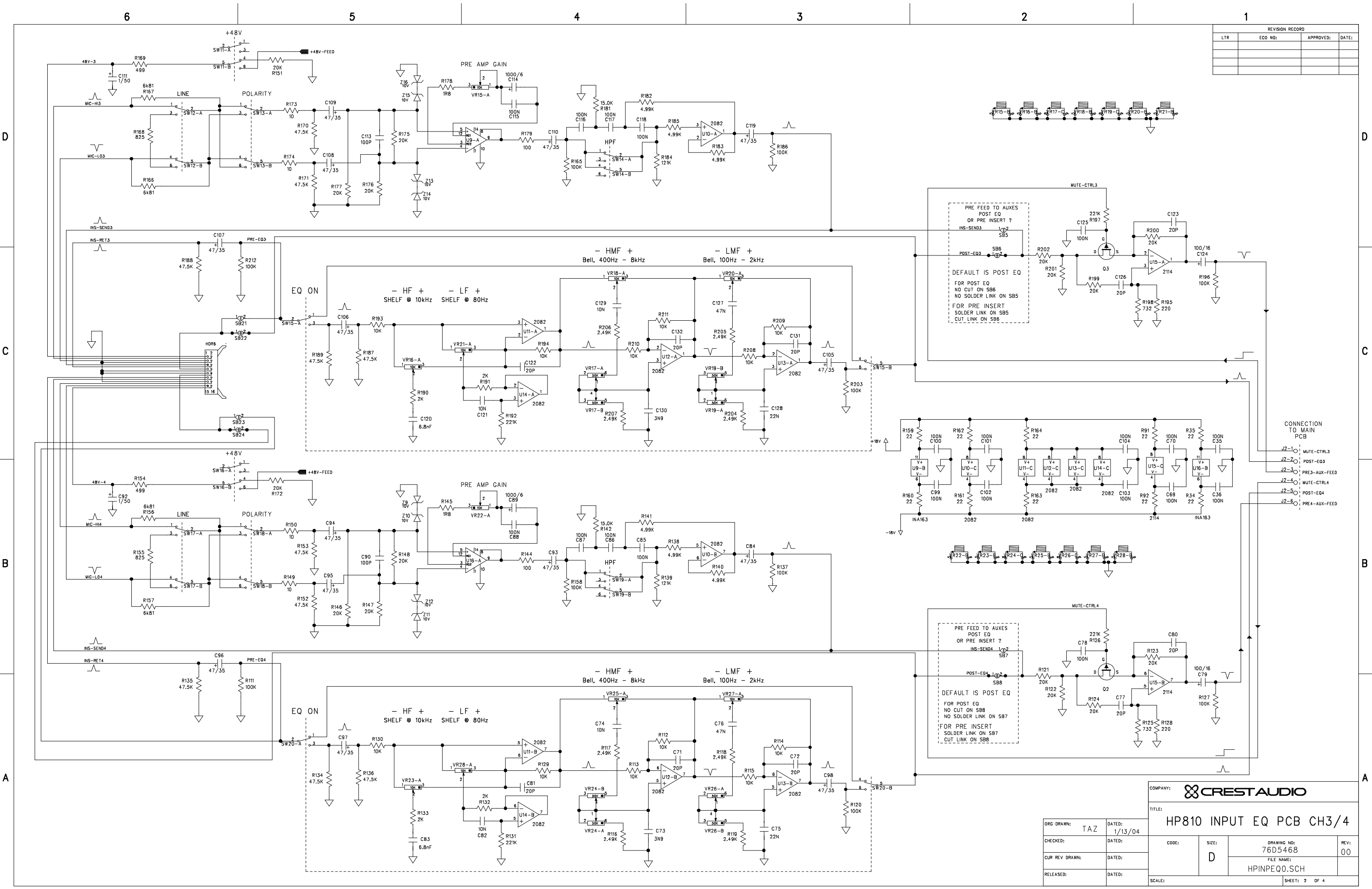


REVISION RECORD			
LTR	ECO NO:	APPROVED:	DATE:



COMPANY: CRESTAUDIO		TITLE: HP810 INPUT EQ PCB CH1/2	
ORG DRAWN: TAZ	DATED: 1/13/04	CODE: D	SIZE: 76D5468
CHECKED:	DATED:	FILE NAME: HPINPEQ0.SCH	REV: 00
CUR REV DRAWN:	DATED:	SCALE:	SHEET: 1 OF 4
RELEASED:	DATED:		

REVISION RECORD			
LTR	ECO NO:	APPROVED:	DATE:



PRE FEED TO AUXES
POST EQ
OR PRE INSERT ?
INS-SEND3

DEFAULT IS POST EQ
FOR POST EQ
NO CUT ON SB6
NO SOLDER LINK ON SB5
FOR PRE INSERT
SOLDER LINK ON SB5
CUT LINK ON SB6

PRE FEED TO AUXES
POST EQ
OR PRE INSERT ?
INS-SEND4

DEFAULT IS POST EQ
FOR POST EQ
NO CUT ON SB8
NO SOLDER LINK ON SB7
FOR PRE INSERT
SOLDER LINK ON SB7
CUT LINK ON SB8

- CONNECTION TO MAIN PCB
- J2-1 MUTE-CTRL3
 - J2-2 POST-EQ3
 - J2-3 PRE3-AUX-FEED
 - J2-4 MUTE-CTRL4
 - J2-5 POST-EQ4
 - J2-6 PRE4-AUX-FEED

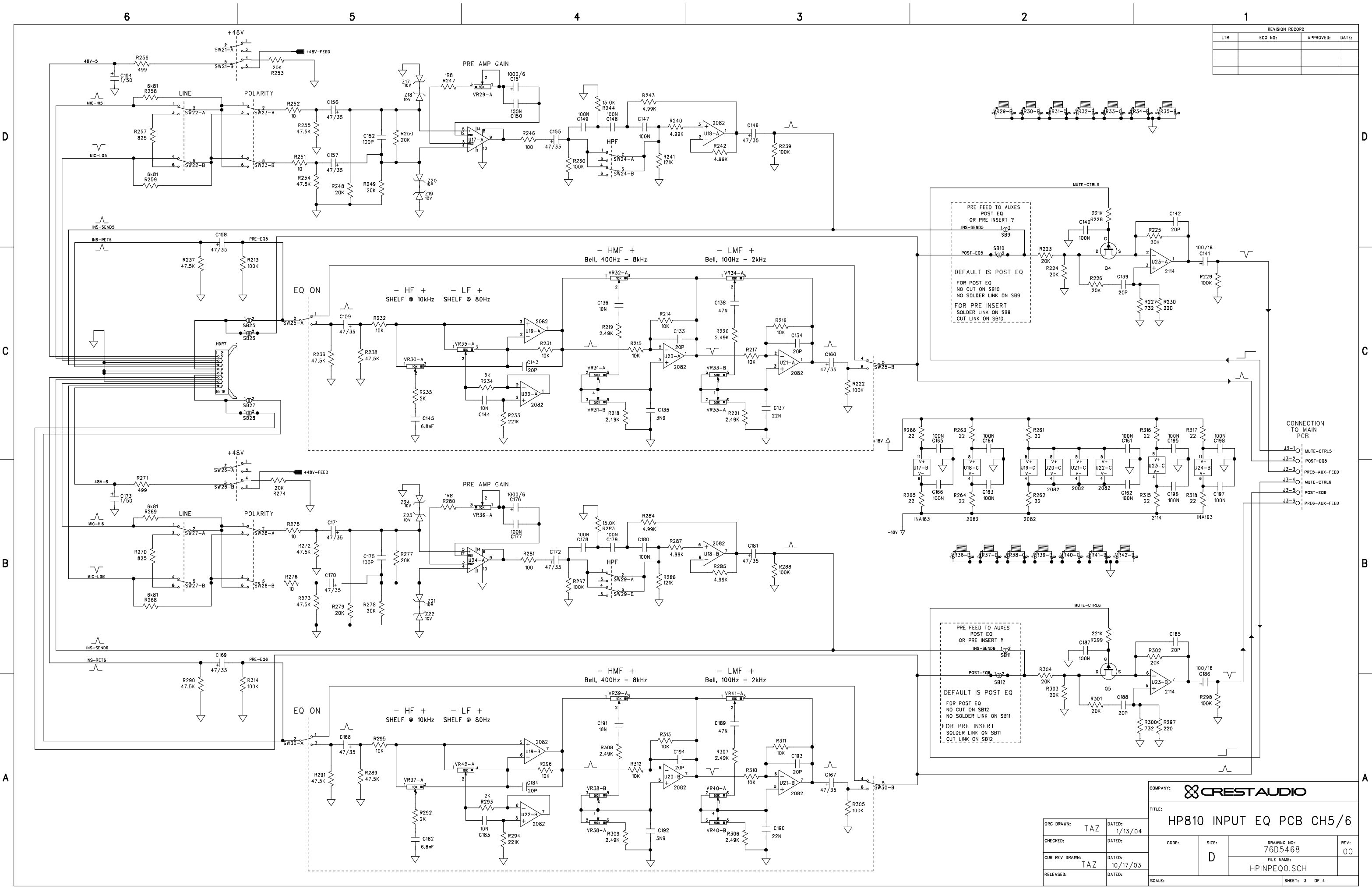
COMPANY: **CRESTAUDIO**

TITLE: **HP810 INPUT EQ PCB CH3/4**

ORG DRAWN: TAZ	DATED: 1/13/04	DRAWING NO: 76D5468	REV: 00
CHECKED:	DATED:	FILE NAME: HPINPEQ0.SCH	
CLUR REV DRAWN:	DATED:		
RELEASED:	DATED:		

SCALE: SHEET: 2 OF 4

REVISION RECORD			
LTR	ECO NO:	APPROVED:	DATE:

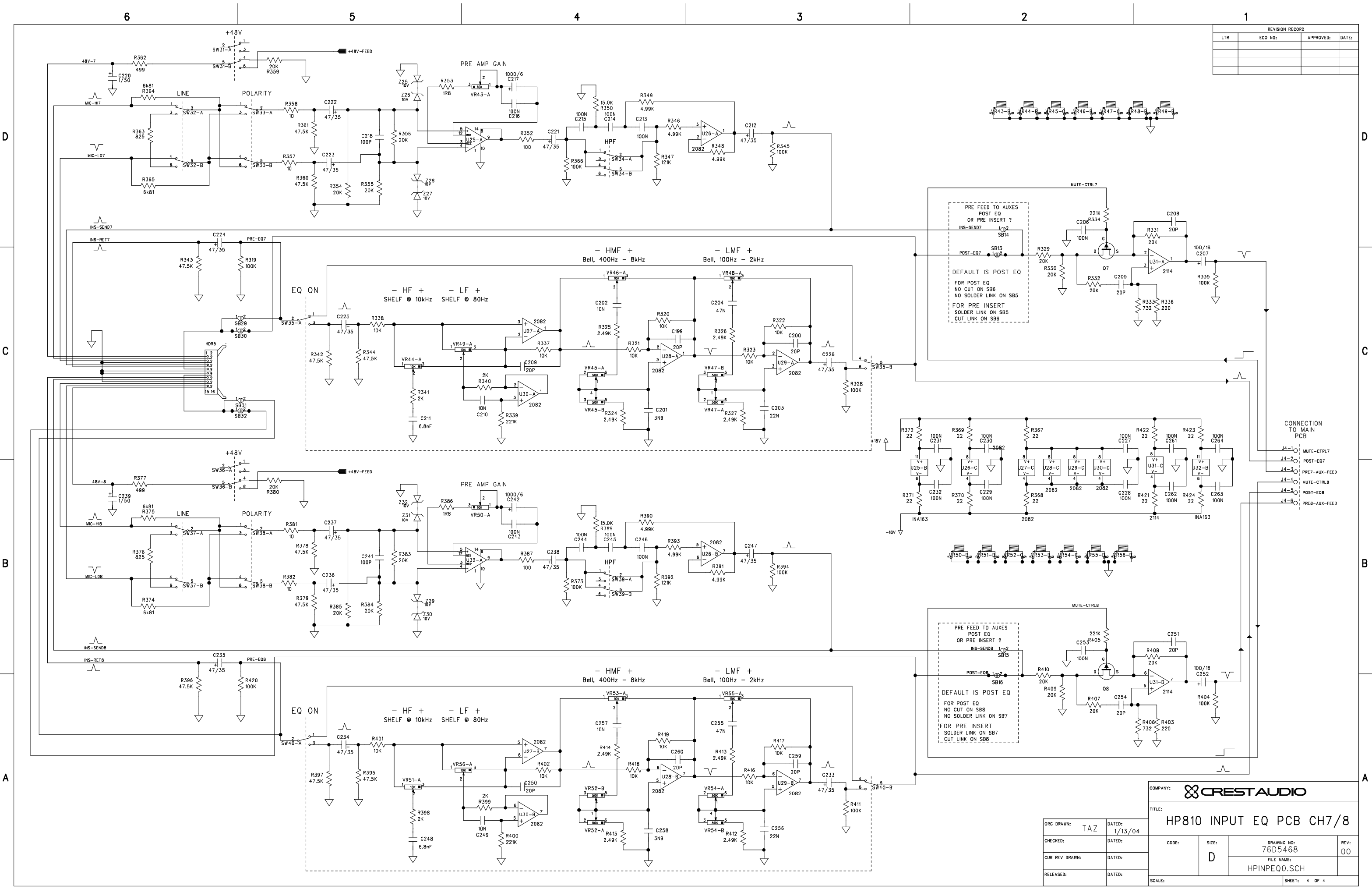


COMPANY: **CRESTAUDIO**

TITLE: **HP810 INPUT EQ PCB CH5/6**

ORG DRAWN: TAZ	DATED: 1/13/04	DRAWING NO: 76D5468	REV: 00
CUR REV DRAWN: TAZ	DATED: 10/17/03	FILE NAME: HPINPEQ0.SCH	
CHECKED:	DATED:	CODE: D	SCALE:
RELEASED:	DATED:		SHEET: 3 OF 4

REVISION RECORD			
LTR	ECO NO:	APPROVED:	DATE:



- CONNECTION TO MAIN PCB
- J4-1 MUTE-CTRL7
 - J4-2 POST-EQ7
 - J4-3 PRE7-AUX-FEED
 - J4-4 MUTE-CTRLB
 - J4-5 POST-EQB
 - J4-6 PREB-AUX-FEED

COMPANY: **CRESTAUDIO**

TITLE: **HP810 INPUT EQ PCB CH7/8**

ORG DRAWN: TAZ	DATED: 1/13/04	CODE:	SIZE: D	DRAWING NO: 76D5468	REV: 00
CUR REV DRAWN:	DATED:	FILE NAME: HPINPEQ0.SCH	SCALE:	SHEET: 4 OF 4	