

6

5

4

3

2

1

REVISION RECORD			
LTR	ECO NO:	APPROVED:	DATE:

D

D

C

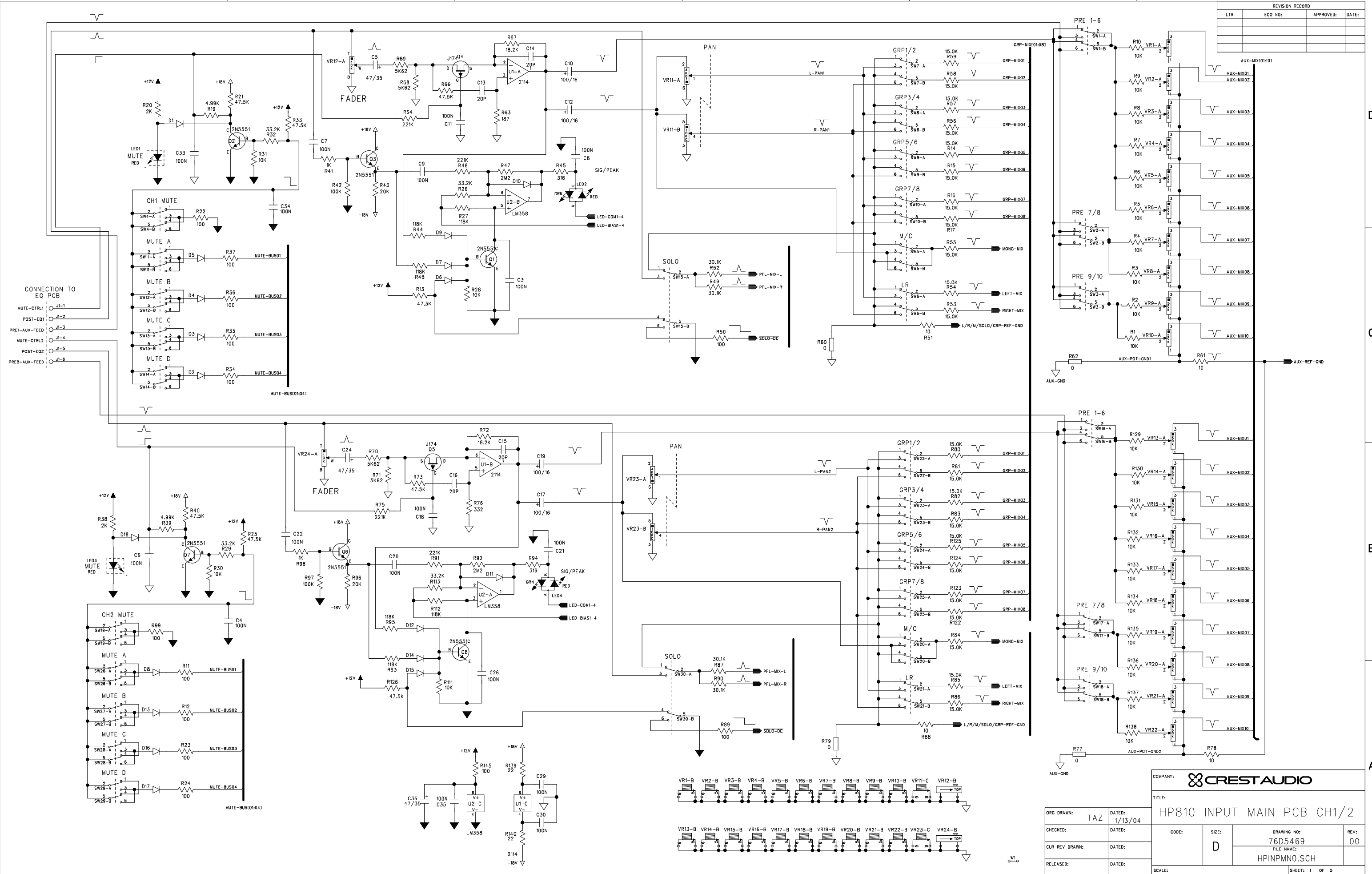
C

B

B

A

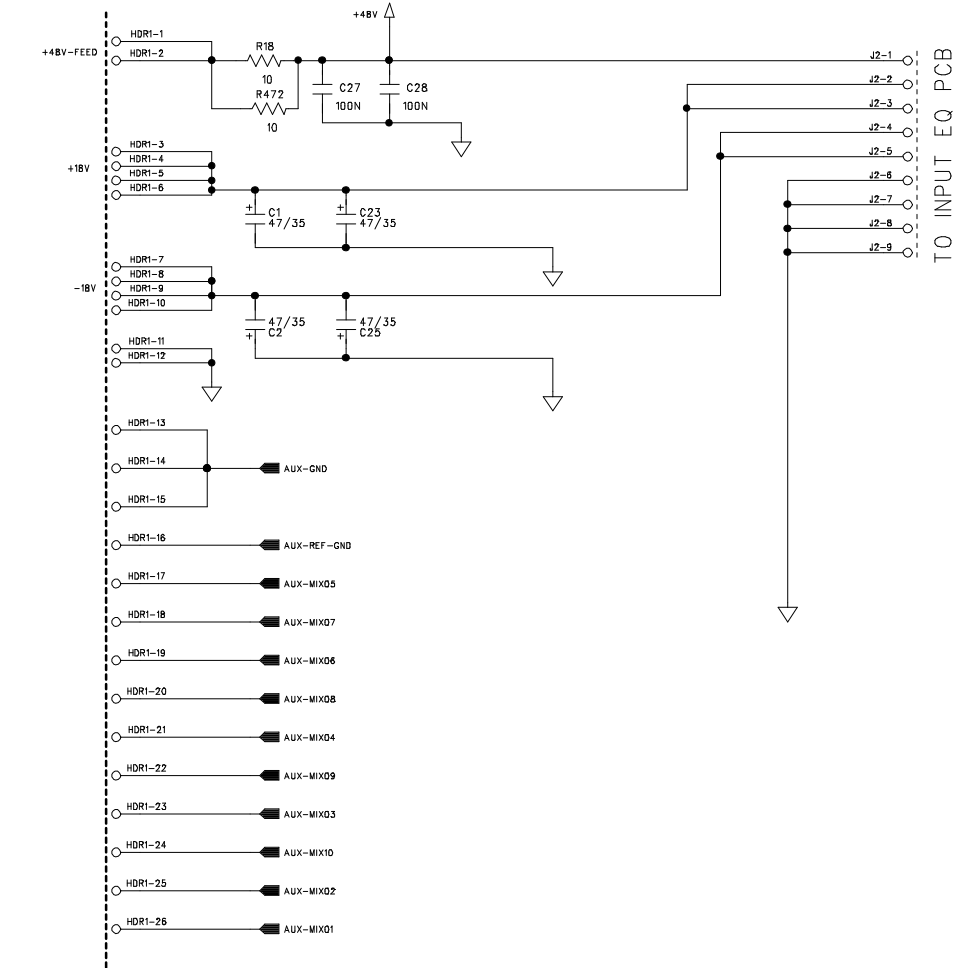
A



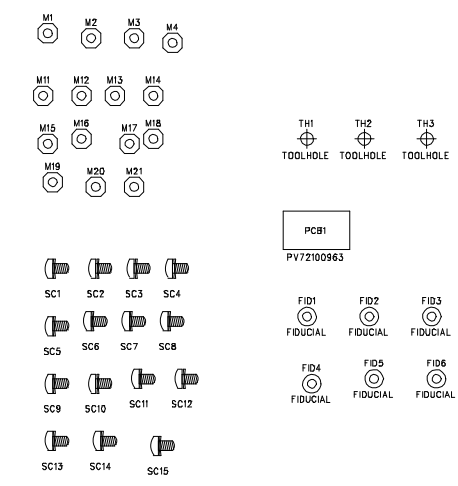
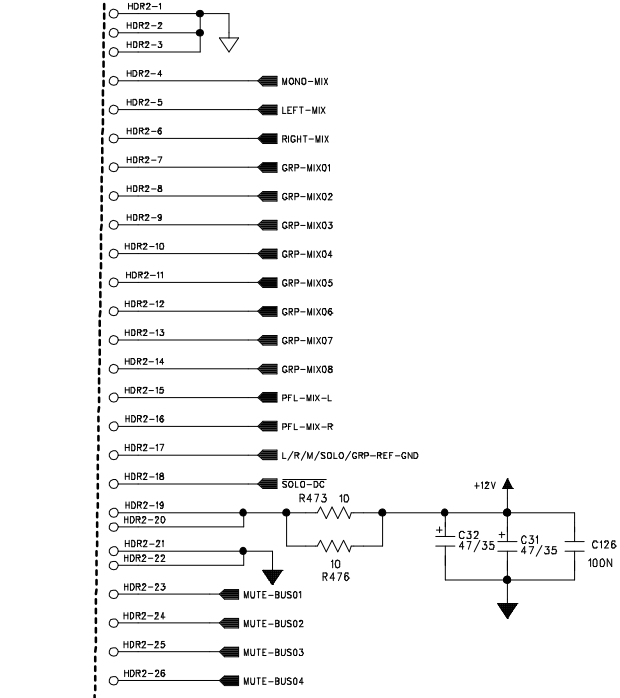
COMPANY: CRESTAUDIO		TITLE: HP810 INPUT MAIN PCB CH1/2	
ORG DRAWN: TAZ	DATED: 1/13/04	CODE: D	SIZE: 76D5469
CHECKED:	DATED:	FILE NAME: HPINPMNO.SCH	REV: 00
CUR REV DRAWN:	DATED:	SCALE:	SHEET: 1 OF 5
RELEASED:	DATED:		

REVISION RECORD			
LTR	ECO NO:	APPROVED:	DATE:

UPPER BUS CONN



LOWER BUS CON



D

C

B

A

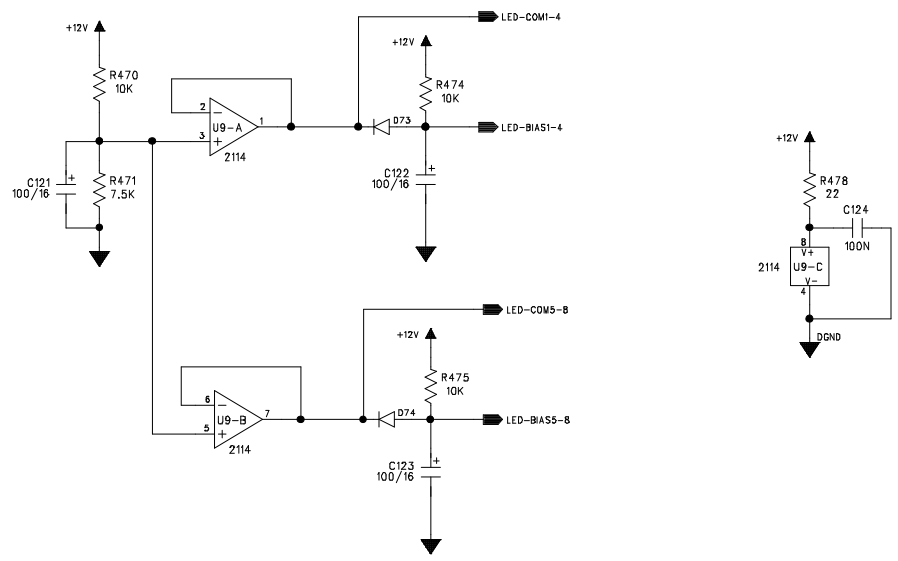
D

C

B

A

REVISION RECORD					
REV LEVEL	ASMBLY LEVEL	DATE	ECO	ENG.	DESCRIPTION
A	A	9/03		TAZ	PROTOTYPE PCB
B	A	10/28/03		TAZ	PCB REVISION FROM A TO B COPPER CHANGES REQUIRED TO DECREASE SIG PRES BLEED INTO GROUP/L/R/SOLO BUSES - MOSTLY THRU GND REF - DECREASE SIG PRESENT SENSITIVITY CHANGE R48, R91,R210, R169,R261, R302,R444, R403 FROM 100K TO 221K - MORE DRIVE TO MUTE TRANSISTOR CHANGE R33, R25,R116, R102, R337,R348, R368, R357 FROM 100K TO 47K5 CHANGE R32, R29, R115, R101, R338, R349,R367, R356 FROM 68K1 TO 33K2 CHANGE R31, R30, R114, R100, R339, R350, R366, R355 FROM 20K TO 10K - REMOVE OSCILLATION ON LED VOLTAGE SOURCE REMOVE AND REPLACE WITH TRACK R472, R473, R477, R476 - INCREASE CURRENT LIMIT TO 48V ADD R472 (10R) - MUTE TRIMS CHANGE R63, R76, R195, R184,R276, R287,R429, R418 FROM 220R TO 187R - ADDED MORE POWER DECOUPLING TO +12V ADD R473 (10R) AND C126 (100N)
00	A	10/28/03		TAZ	PCB REVISION FROM B TO 00 - RELEASE TO PRODUCTION DISTORTION BLEEDING TO ALL MIX BUSES FROM SIGNAL PRESENT CIRCUIT U9 POWER CHANGED TO +12V RAIL. REMOVE R479 AND C125 ADD R476 MUTE TRIMS - CHANGE R76 FROM 187R TO 332R CHANGE R195 FROM 187R TO 221R CHANGE R184 FROM 187R TO 249R CHANGE R287 FROM 187R TO 316R CHANGE R418 FROM 187R TO 249R



COMPANY: **CRESTAUDIO**

TITLE: **HP810 INPUT MAIN PCB**

ORG DRAWN: TAZ DATED: 1/13/04

CHECKED: DATED:

CLUR REV DRAWN: DATED:

RELEASED: DATED:

CODE: D

SIZE: D

DRAWING NO: 76D5469

REV: 00

FILE NAME: HPINPMNO.SCH

SCALE: SHEET: 2 OF 5

6

5

4

3

2

1

REVISION RECORD			
LTR	ECO NO:	APPROVED:	DATE:

D

D

C

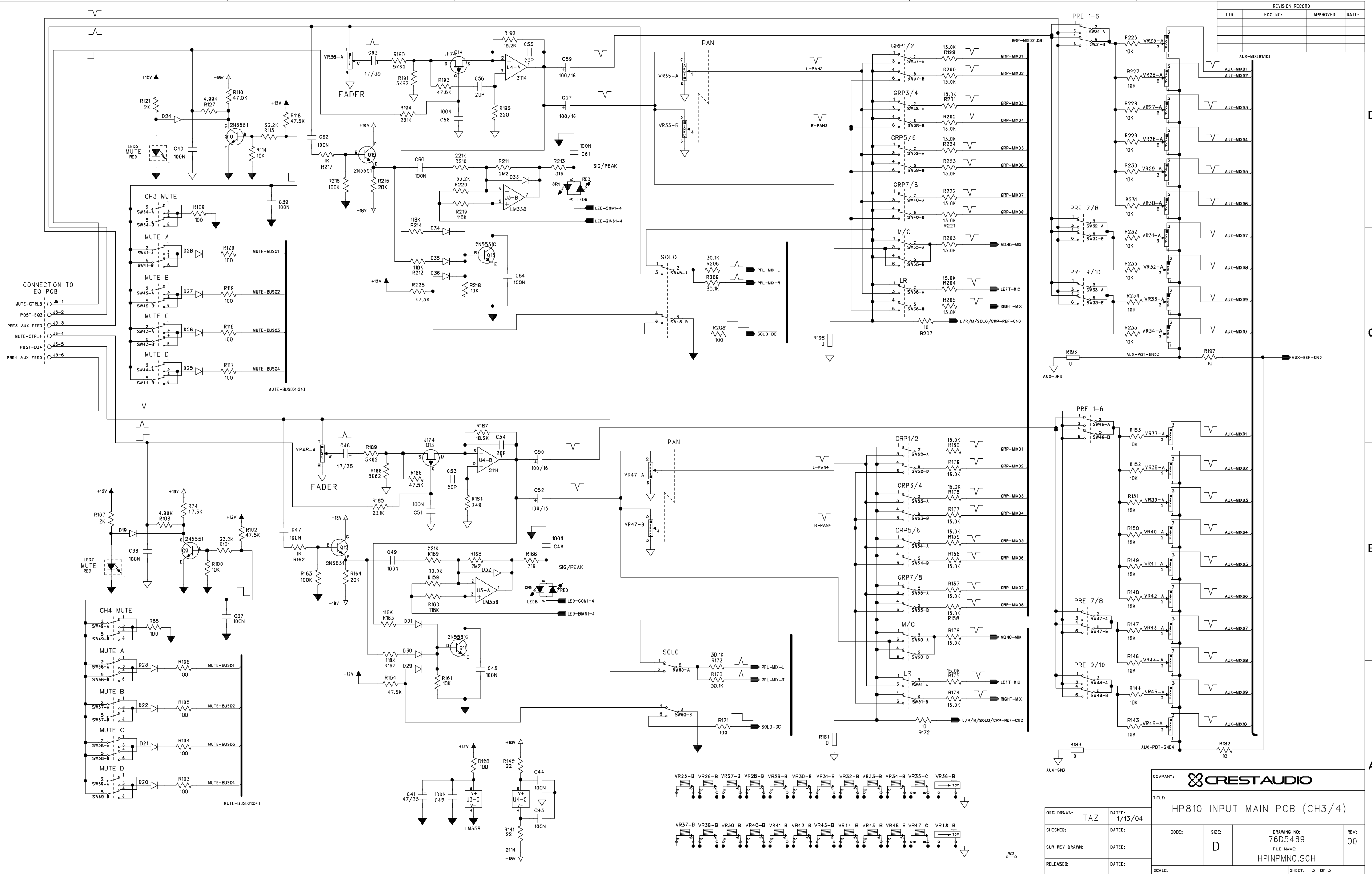
C

B

B

A

A



COMPANY: **CRESTAUDIO**

TITLE: **HP810 INPUT MAIN PCB (CH3/4)**

ORG DRAWN: TAZ	DATED: 1/13/04	CODE: D	SIZE: D	DRAWING NO: 76D5469	REV: 00
CUR REV DRAWN:	DATED:			FILE NAME: HPINPMNO.SCH	
RELEASED:	DATED:				

SCALE: SHEET: 3 OF 5

6

5

4

3

2

1

REVISION RECORD			
LTR	ECO NO:	APPROVED:	DATE:

D

D

C

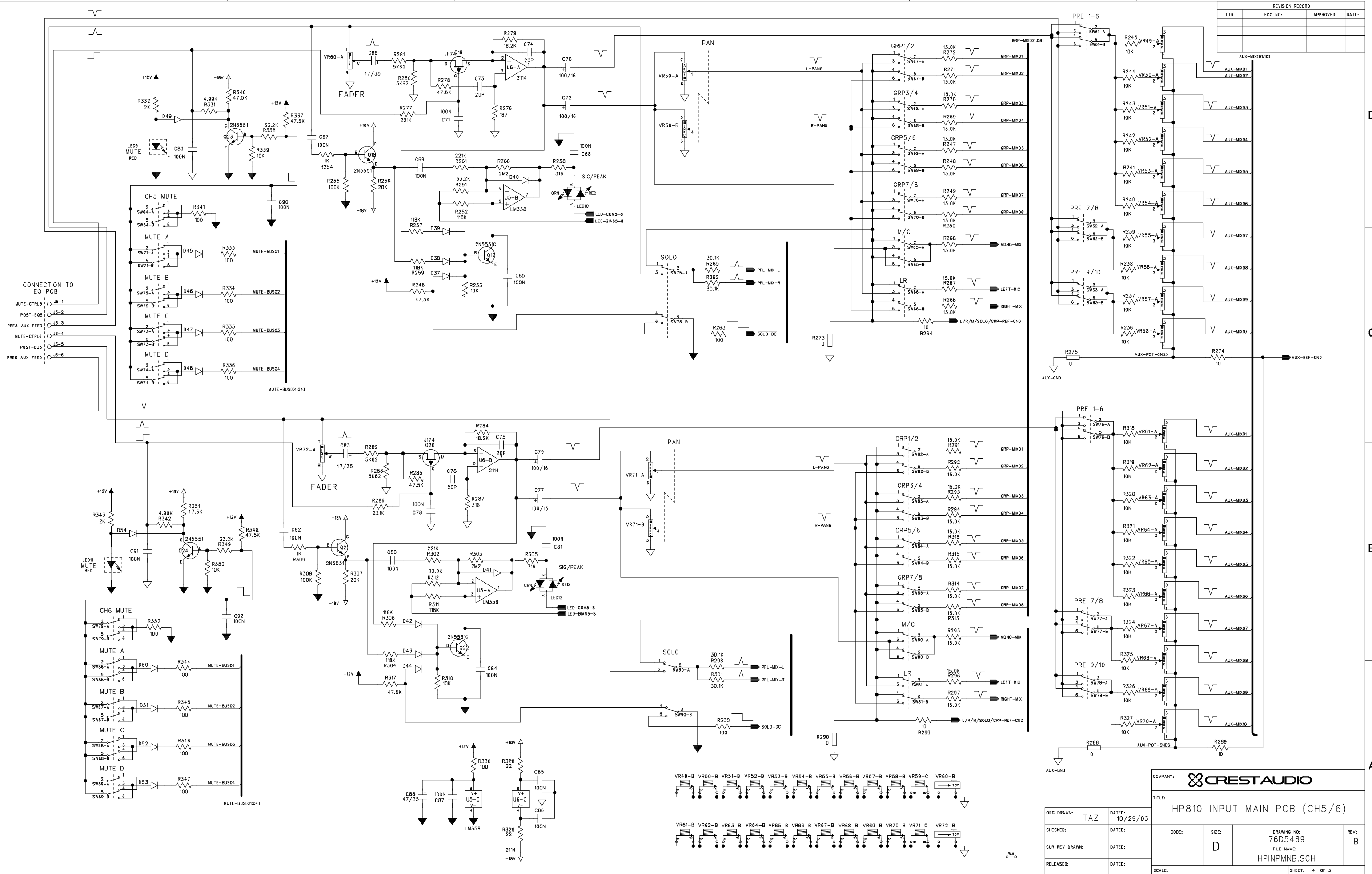
C

B

B

A

A



COMPANY: **CRESTAUDIO**

TITLE: **HP810 INPUT MAIN PCB (CH5/6)**

ORG DRAWN: TAZ	DATED: 10/29/03	CODE:	SIZE: D	DRAWING NO: 76D5469	REV: B
CUR REV DRAWN:	DATED:			FILE NAME: HPINPMNB.SCH	
RELEASED:	DATED:				

SCALE: SHEET: 4 OF 5

6

5

4

3

2

1

REVISION RECORD			
LTR	ECO NO:	APPROVED:	DATE:

D

D

C

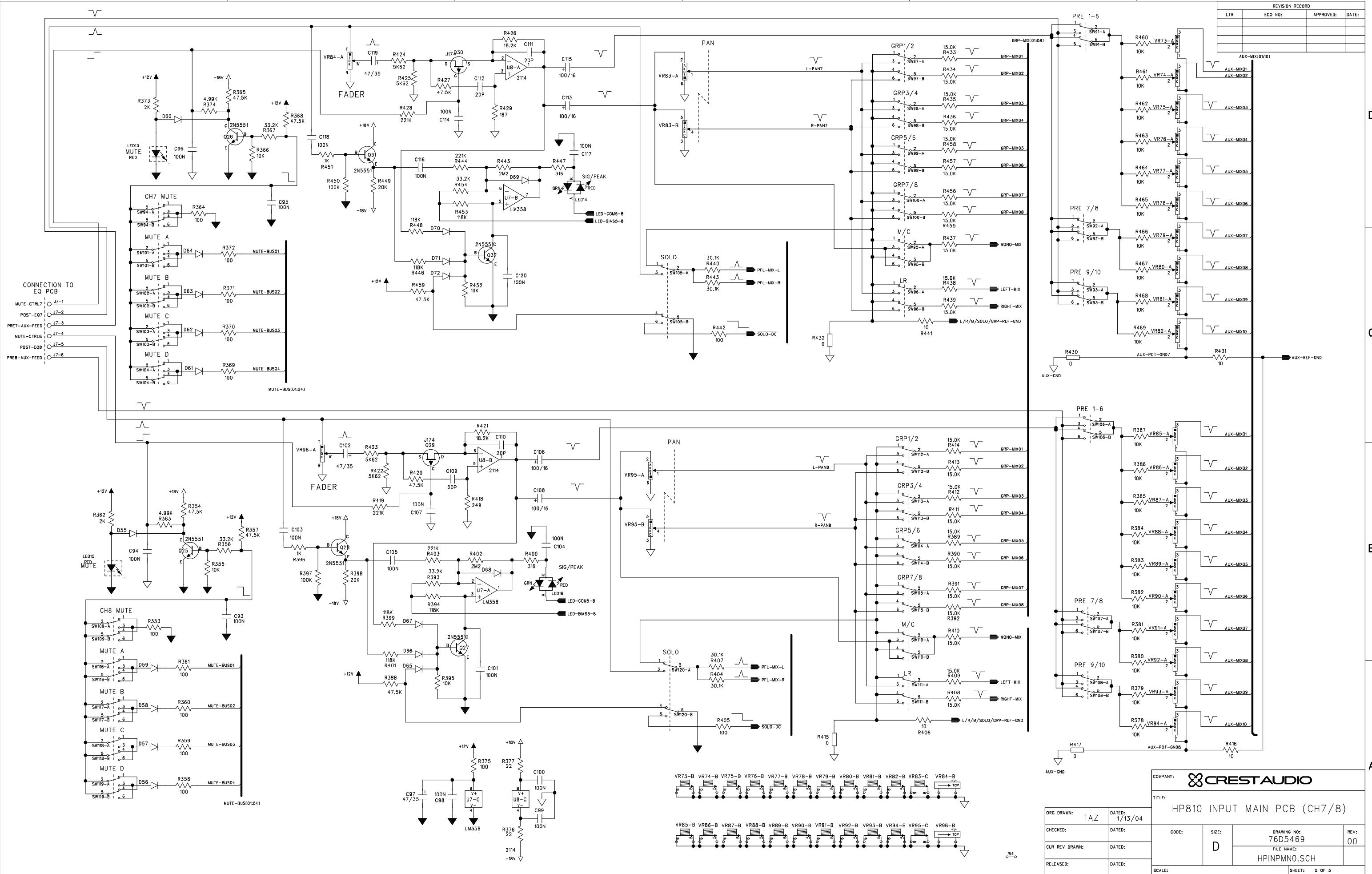
C

B

B

A

A



COMPANY: CRESTAUDIO		TITLE: HP810 INPUT MAIN PCB (CH7/8)	
ORG DRAWN: TAZ	DATED: 1/13/04	CODE: D	SIZE: D
CHECKED:	DATED:	DRAWING NO: 76D5469	REV: 00
CLR REV DRAWN:	DATED:	FILE NAME: HPINPMNO.SCH	
RELEASED:	DATED:	SCALE:	SHEET: 5 OF 5