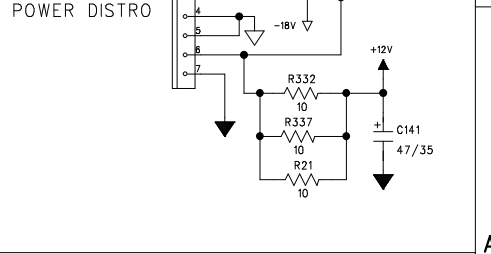
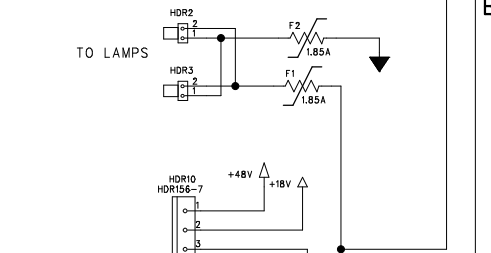
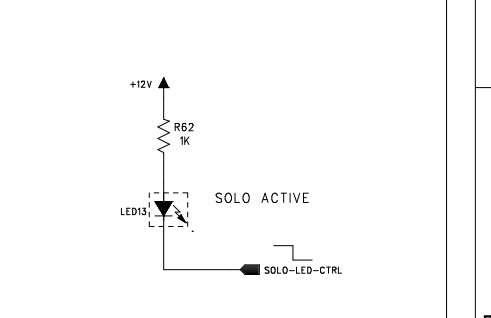
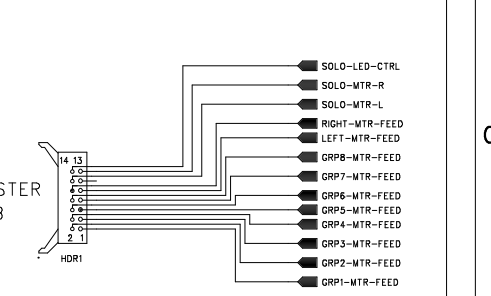
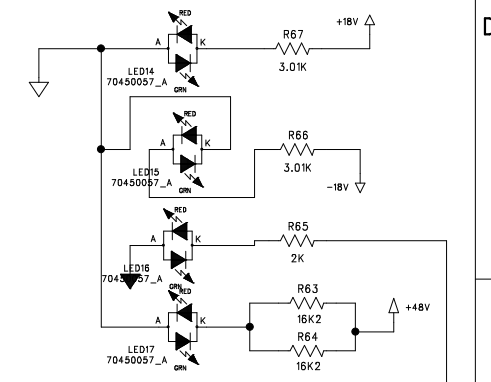
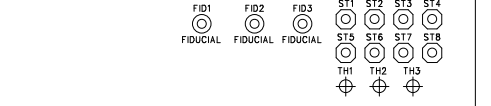


REVISION RECORD			
LTR	ECO NO:	APPROVED:	DATE:
00	LED5 WRONG ORIENTATION CHK. HOP/NOVA TO 2. MAY 1985		



COMPANY: CRESTAUDIO		TITLE: HP810 METER DISPLAY PCB	
ORG DRAWN: TAZ	DATED: 1/15/04	CODE: D	REV: 00
CHECKED:	DATED:	SIZE: D	DRAWING NO: 76D5479
CUR REV DRAWN:	DATED:	FILE NAME: HPOPMTRO.SCH	
RELEASED:	DATED:	SCALE:	SHEET: 1 OF 1

ORG DRAWN: TAZ	DATED: 1/15/04
CHECKED:	DATED:
CUR REV DRAWN:	DATED:
RELEASED:	DATED: