

6

5

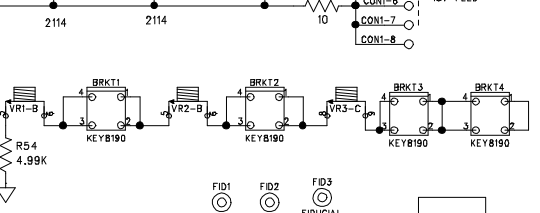
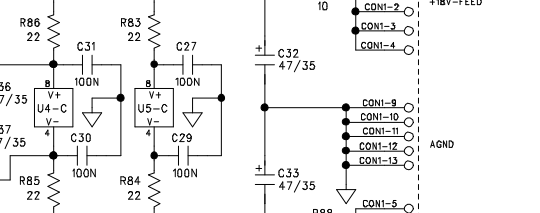
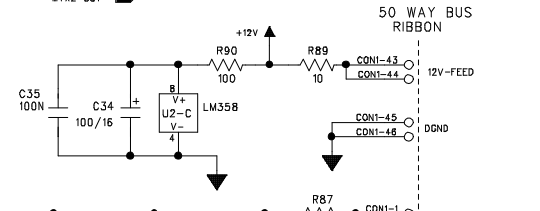
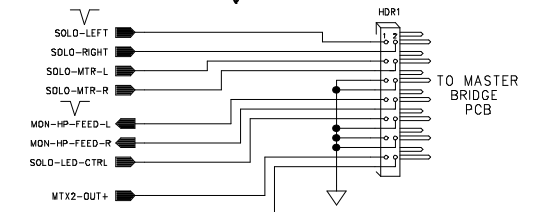
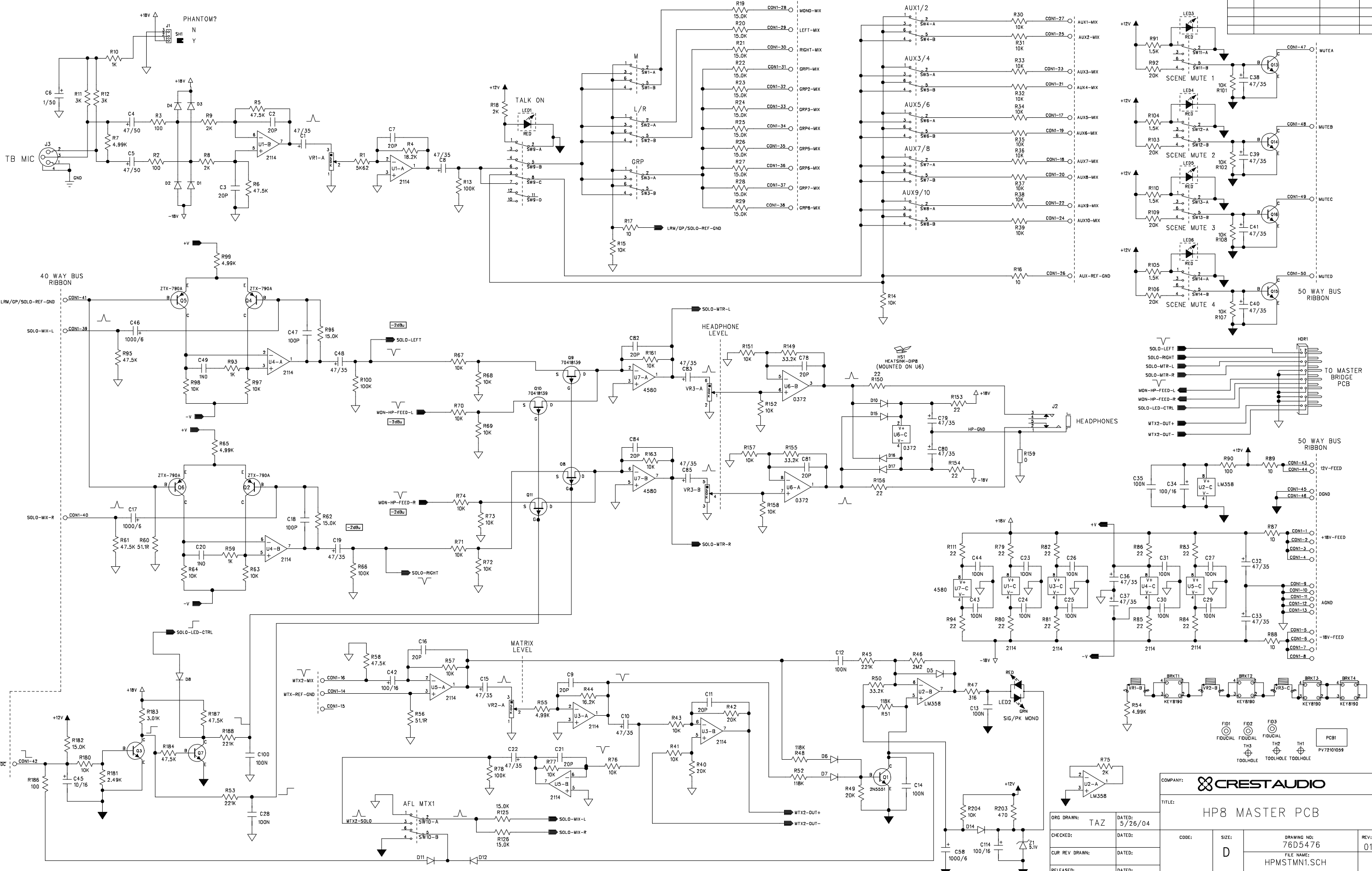
4

3

2

1

REVISION RECORD			
LTR	ECO NO:	APPROVED:	DATE:



COMPANY: **CRESTAUDIO**

TITLE: **HP8 MASTER PCB**

ORG DRAWN: TAZ	DATED: 5/26/04	CODE: D	SIZE: 76D5476	REV: 01
CUR REV DRAWN:	DATED:	FILE NAME: HPMSTMN1.SCH	DRAWING NO: 76D5476	
RELEASED:	DATED:	SCALE:	SHEET: 1 OF 1	

6

5

4

3

2

1

REVISION RECORD			
LTR	ECO NO:	APPROVED:	DATE:

REVISION RECORD					
REV LEVEL	ASMBLY LEVEL	DATE	ECO	ENG.	DESCRIPTION
A	A	9/03		TAZ	PROTOTYPE PCB
B	A	10/29/03		TAZ	PCB REVISION FROM A TO B MOVED ALL SWITCHES UP BY 0.060" TO USE NEW SWITCH CAPS SO AS SAME HEIGHT AS SWITCHES ON INPUT MODULES - INTERNAL WORKING LEVEL CHANGE FROM +4dBu TO -2dBu CHANGE R55 FROM 5K62 TO 4K99 CHANGE R44 FROM 30.1K TO 16K2 CHANGE R49 FROM 10K7 TO 20K CHANGE R42, R40 FROM 10K TO 20K CHANGE R125, R126, FROM 30.1K TO 15K CHANGE R127, R128, R129 FROM 15K TO 7K5 - SOLO TRANSISTOR Q3 NOT ENOUGH CURRENT SINK CHANGE R183 FROM 1K TO 3K01 - REMOVE GLITCH THAT OCCURRS WHEN SOLO SWITCH RELEASED ADD C45 (100nF) - TRACKING ERROR ON FETS SELECTING SOLO OR MONITOR FEED (REVERSED) - SOLO LED CONTROL NOT FUNCTIONING REMOVED Q12 AND ADDED D8
00	A	1/20/04		TAZ	PCB REVISION FROM B TO 00 - PRODUCTION RELEASE. REMOVE C45 (100nF) - CAUSING GLOBAL SOLO GLITCHES.
00	A	5/26/04	4973	TAZ	PCB REVISION FROM 00 TO 01 CHANGED R14, R15 FROM 0R TO 10K0 ADDED C45 (10uF/16V) TO REMOVE SOLO DC CLICKS

D

D

C


C

B

B

A

A

ORG DRAWN: TAZ		DATED: 5/26/04		COMPANY: 	
CHECKED:		DATED:		TITLE: HP8 MASTER PCB	
CUR REV DRAWN:		DATED:		CODE:	SIZE: D
RELEASED:		DATED:		DRAWING NO: 76D5476	REV: 01
SCALE:				FILE NAME: HPMSTMN1.SCH	
				SHEET: OF	