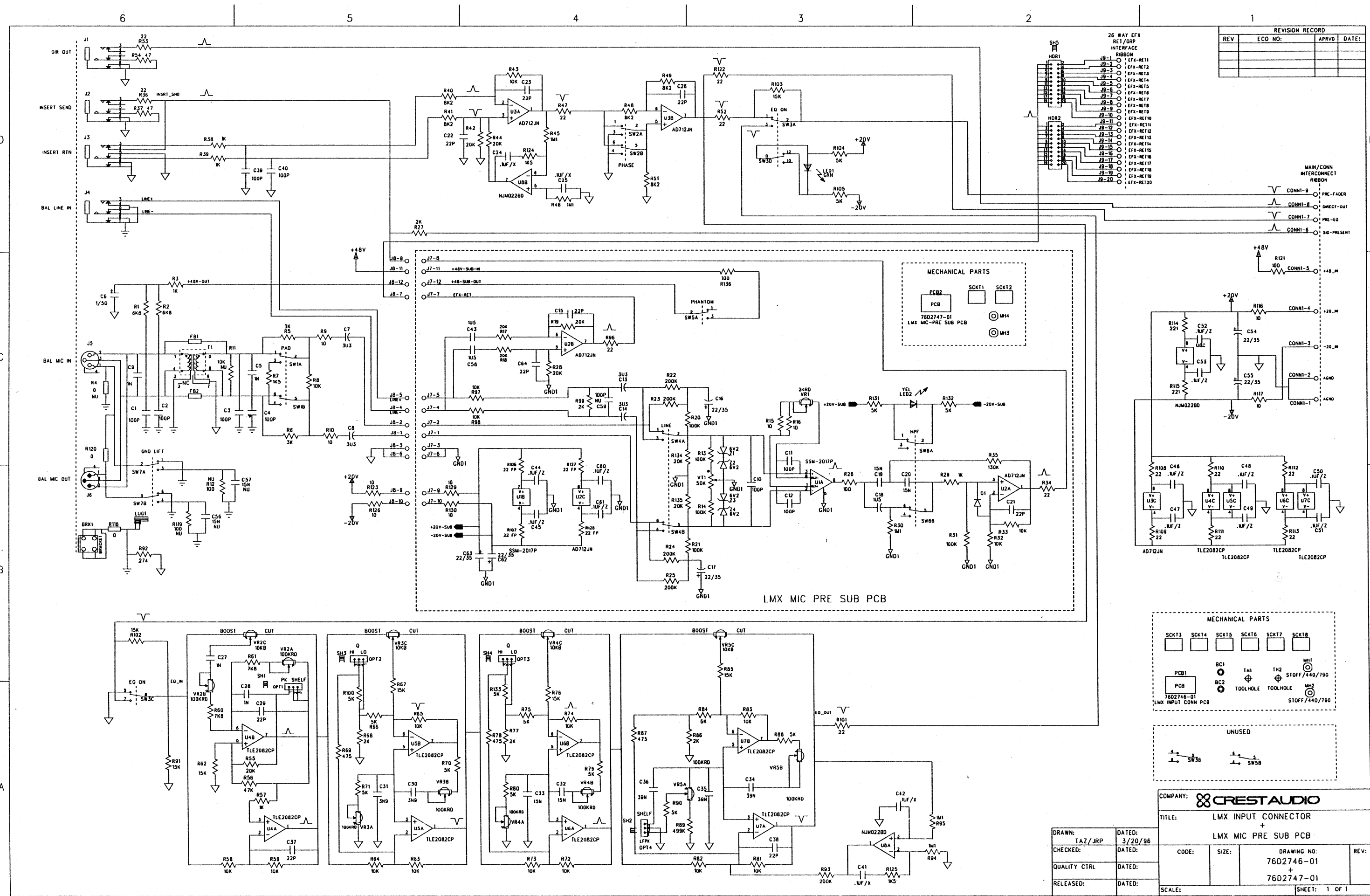




CENTURY LMx SCHEMATICS

LOCATION	DESCRIPTION	SCHEMATIC #	DWG #	REV #
INPUT MODULE	INPUT CONNECTOR / MIC PRE SUB	1	76D274 6/7	01
	INPUT MAIN (1 OF 2)	2	76D2744	02
	INPUT MAIN (2 OF 2)	3	76D2744	02
	INPUT MAIN SUB BOARD	4	76D2745	02
GROUP MODULE	GROUP CONNECTOR / SUB (1 OF 2)	5	76D275 0/1	01
	GROUP CONNECTOR / SUB (2 OF 2)	6	76D275 0/1	01
	GROUP MAIN (1 OF 2)	7	76D2748	02
	GROUP MAIN (2 OF 2)	8	76D2748	02
	GROUP MAIN SUB (1 OF 2)	9	76D2749	01
	GROUP MAIN SUB (2 OF 2)	10	76D2749	01
LEFT / RIGHT MODULE	L R CONNECTOR	11	76D2754	01
	L R CONNECTOR SUB	12	76D2755	01
	L R MAIN (1 OF 2)	13	76D2752	01
	L R MAIN (2 OF 2)	14	76D2752	01
	DYNAMICS SUB BOARD	15	76D2891	00
	L R MAIN SUB (1 OF 2)	16	76D2753	01
	L R MAIN SUB (2 OF 2)	17	76D2753	01
MASTER MODULE	MASTER CONNECTOR (1 OF 2)	18	76D2757	01
	MASTER CONNECTOR (2 OF 2)	19	76D2757	01
	MASTER MAIN (1 OF 2)	20	76D2756	01
	MASTER MAIN (2 OF 2)	21	76D2756	01
METER BRIDGE	DIMMER BOARD	22	N/A	
	LMX METER DEMUX	23	76D2758	01
	TWO GROUP LED	24	76D2817	00
	TWO SOLO LED	25	76D2818	00
	FIVE GROUP LED	26	76D2816	00
	REMOTE VOLUME CONTROL BOARD	27	76B2942	00
RIBBON CABLE PIN OUT DIAGRAMS	RIBBON PIN OUTS	28	N/A	



REVISION RECORD			
REV	ECO NO:	APRVD	DATE:

DRAWN: TAZ/JRP		DATED: 3/20/96	
CHECKED:		DATED:	
QUALITY CTRL		DATED:	
RELEASED:		DATED:	
SCALE:		SHEET: 1 OF 1	

COMPANY: **CRESTAUDIO**

TITLE: **LMX INPUT CONNECTOR + LMx MIC PRE SUB PCB**

CODE: SIZE: DRAWING NO: 76D2746-01 + 76D2747-01

REV: DATE: SCALE: SHEET: 1 OF 1

MECHANICAL PARTS

PCB2 SCKT1 SCKT2

76D2747-01 MH4 MH3

LMx MIC-PRE SUB PCB

MECHANICAL PARTS

SCKT3 SCKT4 SCKT5 SCKT6 SCKT7 SCKT8

PCB1 BC1 TH1 TH2 MH1

76D2746-01 BC2 TOOLHOLE TOOLHOLE STOFF/440/790

LMx INPUT CONN PCB MH2 STOFF/440/790

UNUSED

SW3B SW5B

Schematic #1

6

5

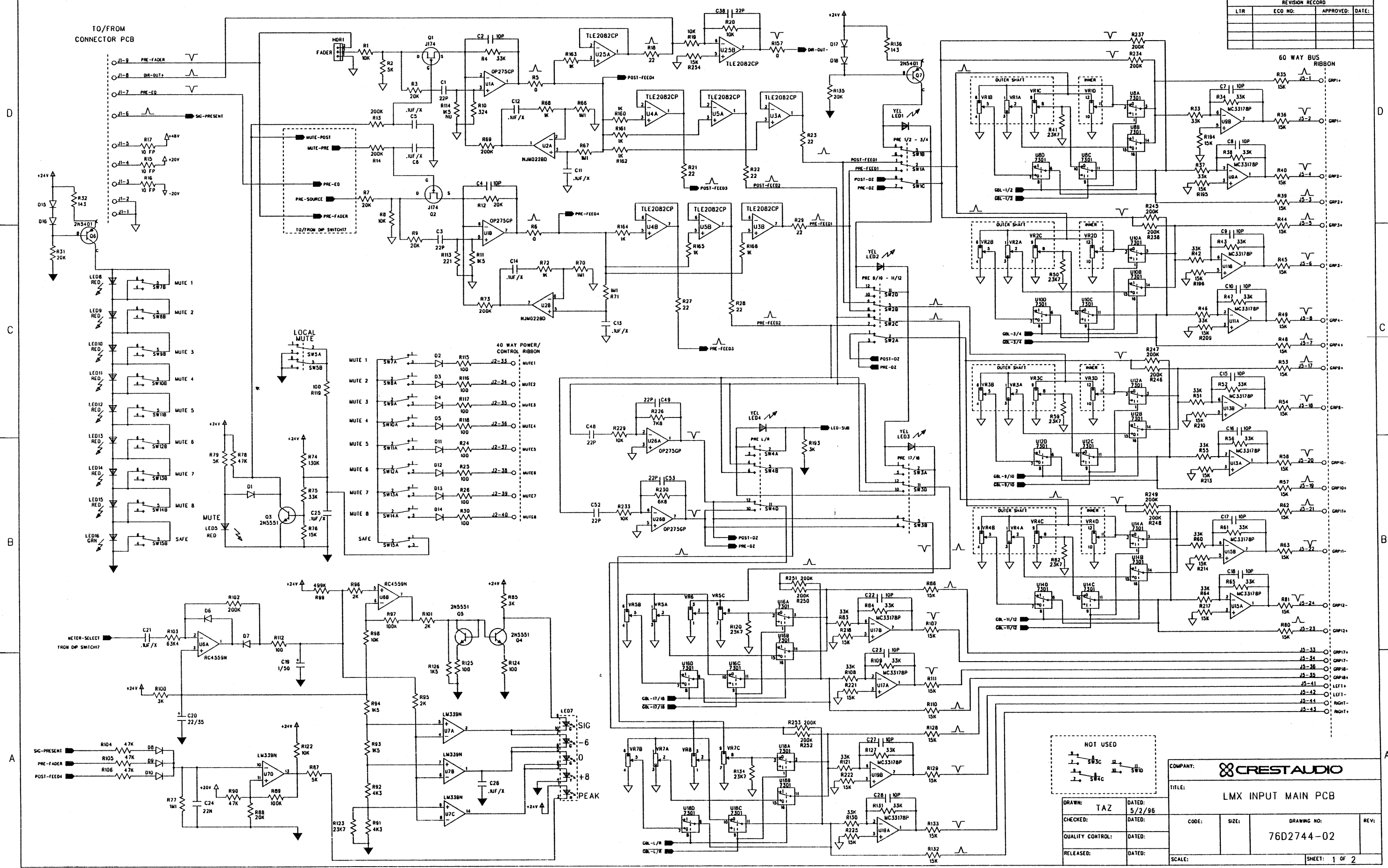
4

3

2

1

REVISION RECORD			
LTR	ECO NO:	APPROVED:	DATE:



COMPANY: CREST AUDIO		TITLE: LMX INPUT MAIN PCB	
DRAWN: TAZ	DATED: 5/2/96	CODE:	SIZE:
CHECKED:	DATED:	DRAWING NO: 7602744-02	REV:
QUALITY CONTROL:	DATED:	SHEET: 1 of 2	
RELEASED:	DATED:	SCALE:	

Schematic #2

6

5

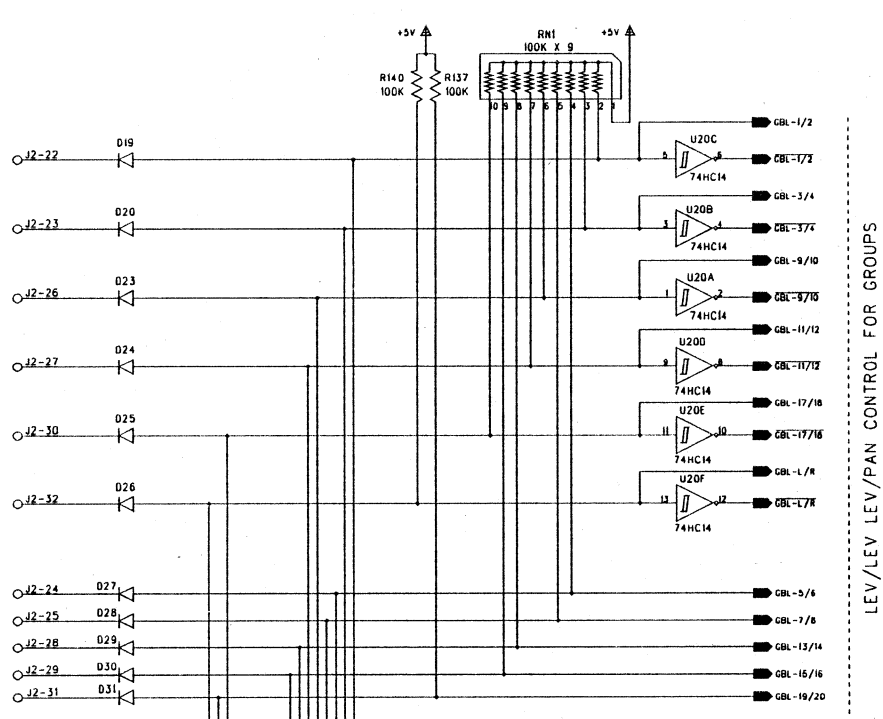
4

3

2

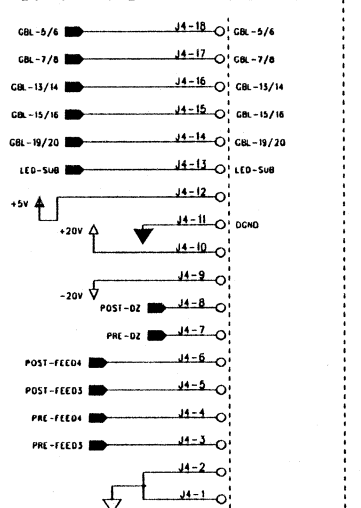
1

REVISION RECORD			
LT#	ECO NO.	APPROVED	DATE

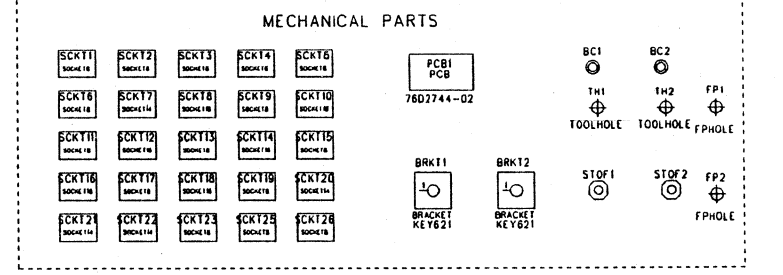
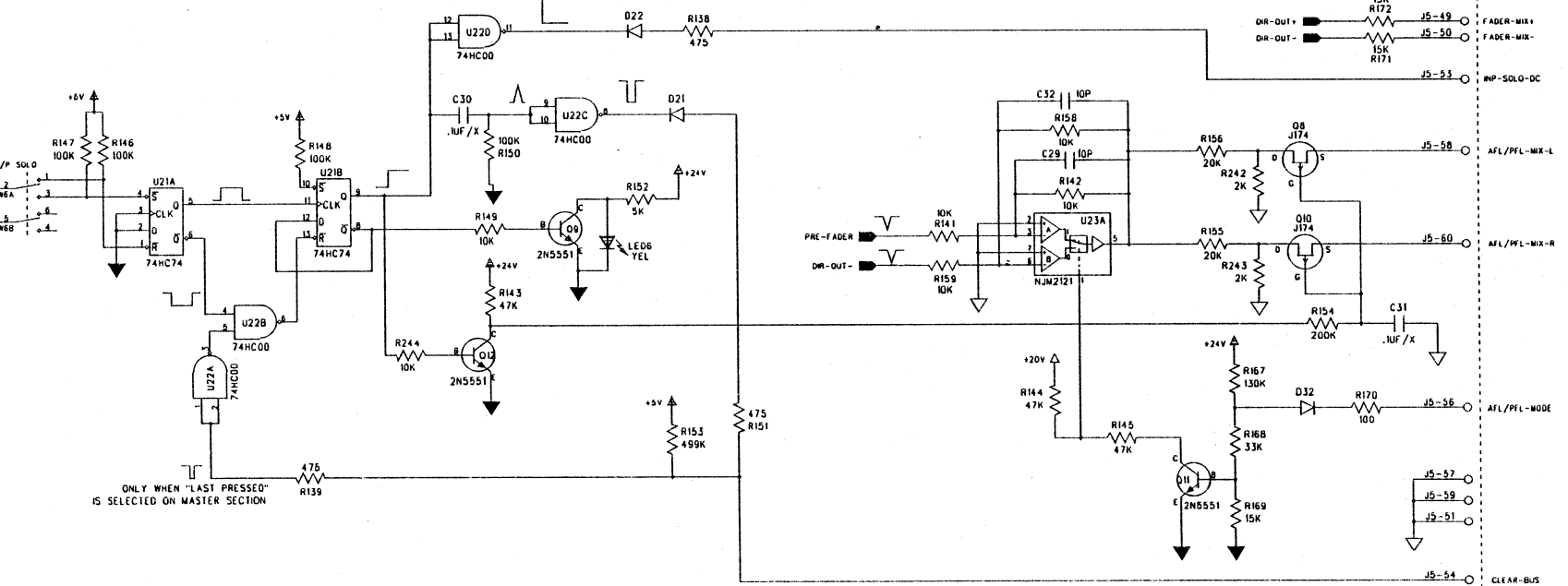
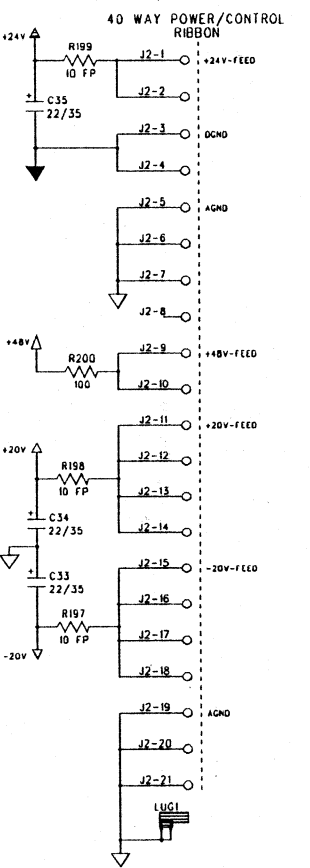
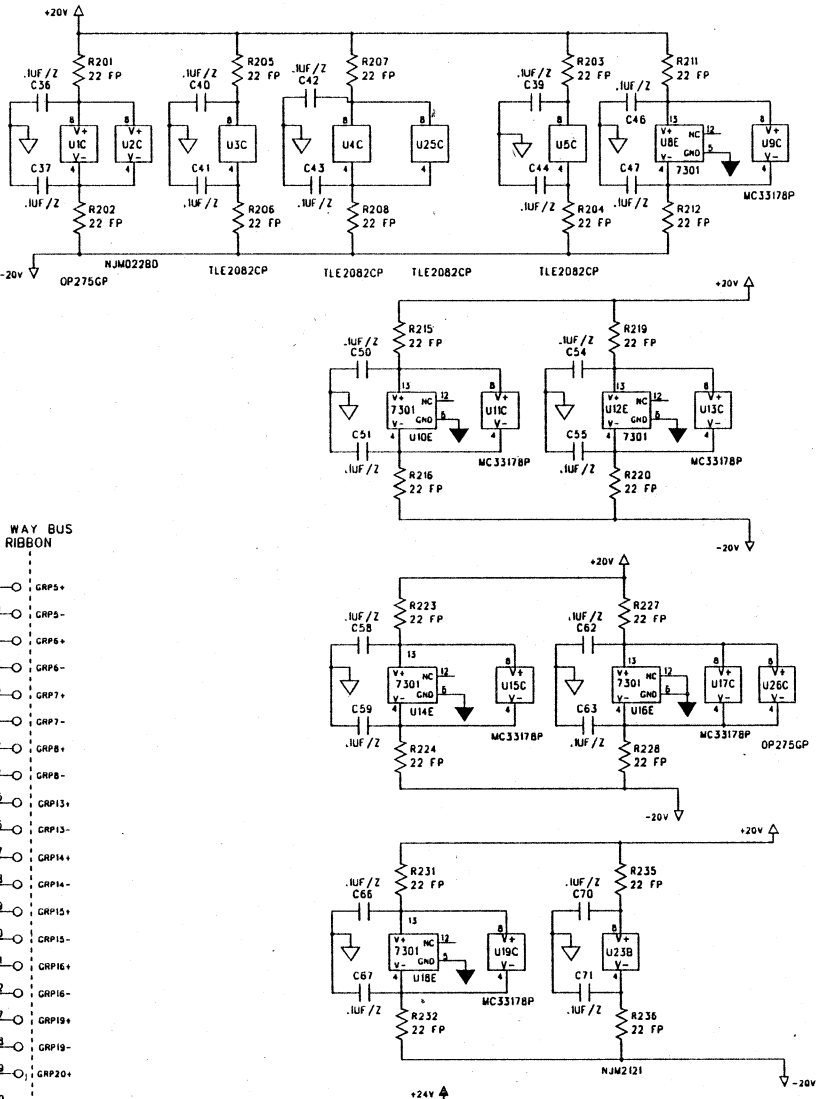
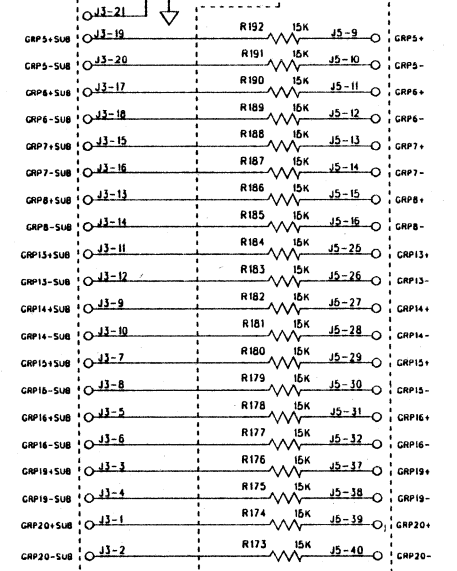


SWITCH	CONTACT #	FUNCTION	DEFAULT
SW16	1	FORCE GRP1/2 TO LEV/PAN MODE	OFF
	2	FORCE GRP3/4 TO LEV/PAN MODE	OFF
	3	FORCE GRP5/6 TO LEV/PAN MODE	OFF
	4	FORCE GRP7/8 TO LEV/PAN MODE	OFF
	5	FORCE GRP9/10 TO LEV/PAN MODE	OFF
	6	FORCE GRP11/12 TO LEV/PAN MODE	OFF
	7	FORCE GRP13/14 TO LEV/PAN MODE	OFF
	8	FORCE GRP15/16 TO LEV/PAN MODE	OFF
SW17	1	FORCE GRP17/18 TO LEV/PAN MODE	OFF
	2	FORCE GRP19/20 TO LEV/PAN MODE	OFF
	3	FORCE LEFT/RIGHT TO LEV/PAN MODE	OFF
	4	PRE FADER TO GROUPS - SELECTABLE	ON
	5	PRE EQ TO GROUPS - SELECTABLE	OFF
	6	PRE SOURCE TO GROUPS MUTEABLE?	ON
	7	PRE FADER TO CHANNEL METER	ON
	8	POST FADER TO CHANNEL METER	OFF

CONNECTION TO LMX MAIN SUB PCB



60 WAY BUS RIBBON



CRESTAUDIO

TITLE: LMX INPUT MAIN PCB

DRAWN: TAZ DATED: 5/2/96

CHECKED: DATED:

QUALITY CONTROL: DATED:

RELEASED: DATED:

CODE: SIZE: DRAWING NO: 76D2744-02 REV: 1

SCALE: SHEET: 2 OF 2

Schematic #3

6

5

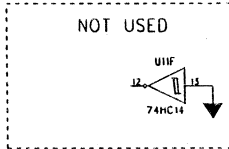
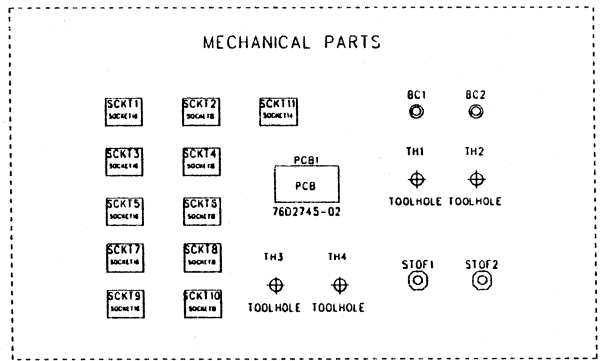
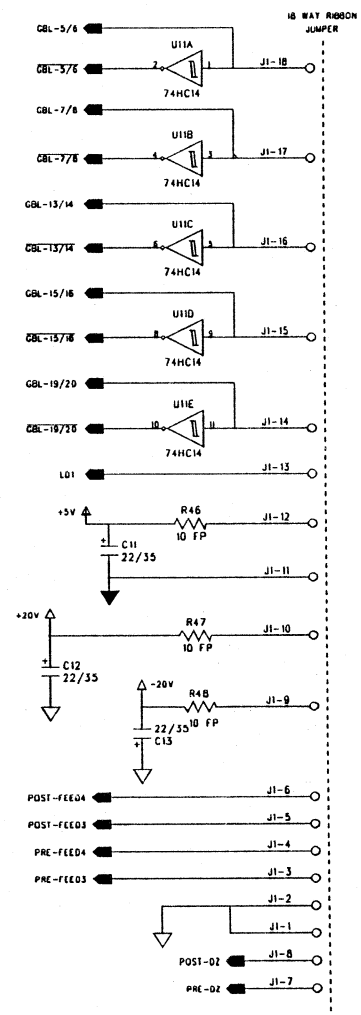
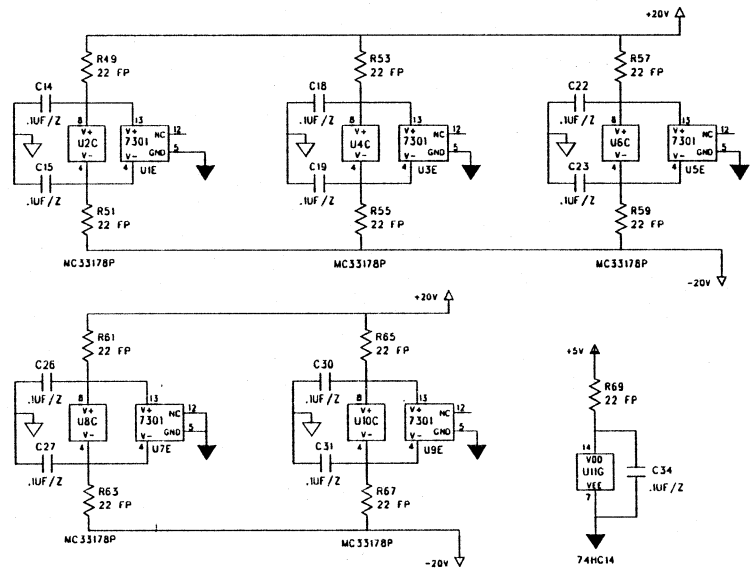
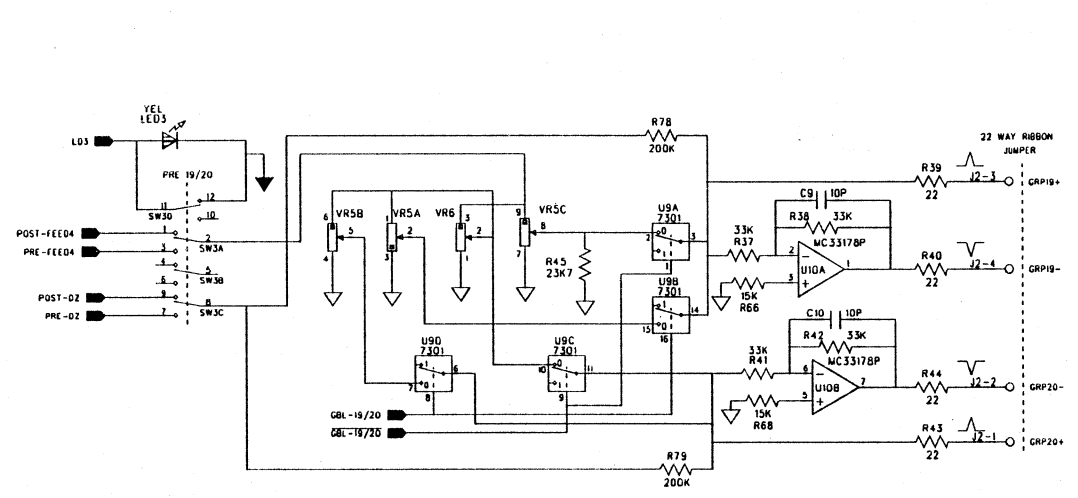
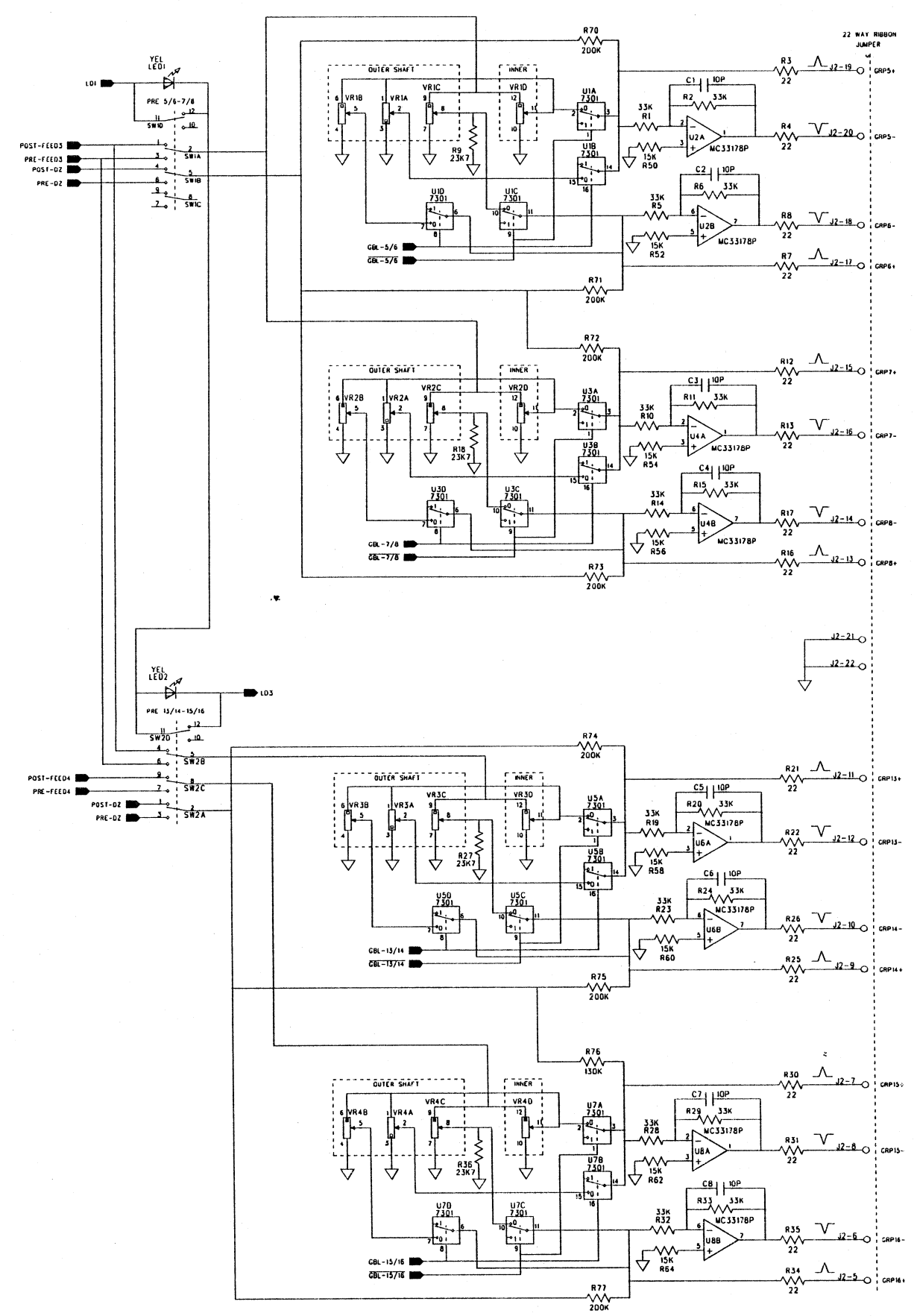
4

3

2

1

REVISION RECORD			
LTR	ECO NO.	APPROVED:	DATE:



CRESTAUDIO

FILE: LMX INPUT MAIN SUB PCB

DRAWN: TAZ DATED: 5/2/96

CHECKED: DATED:

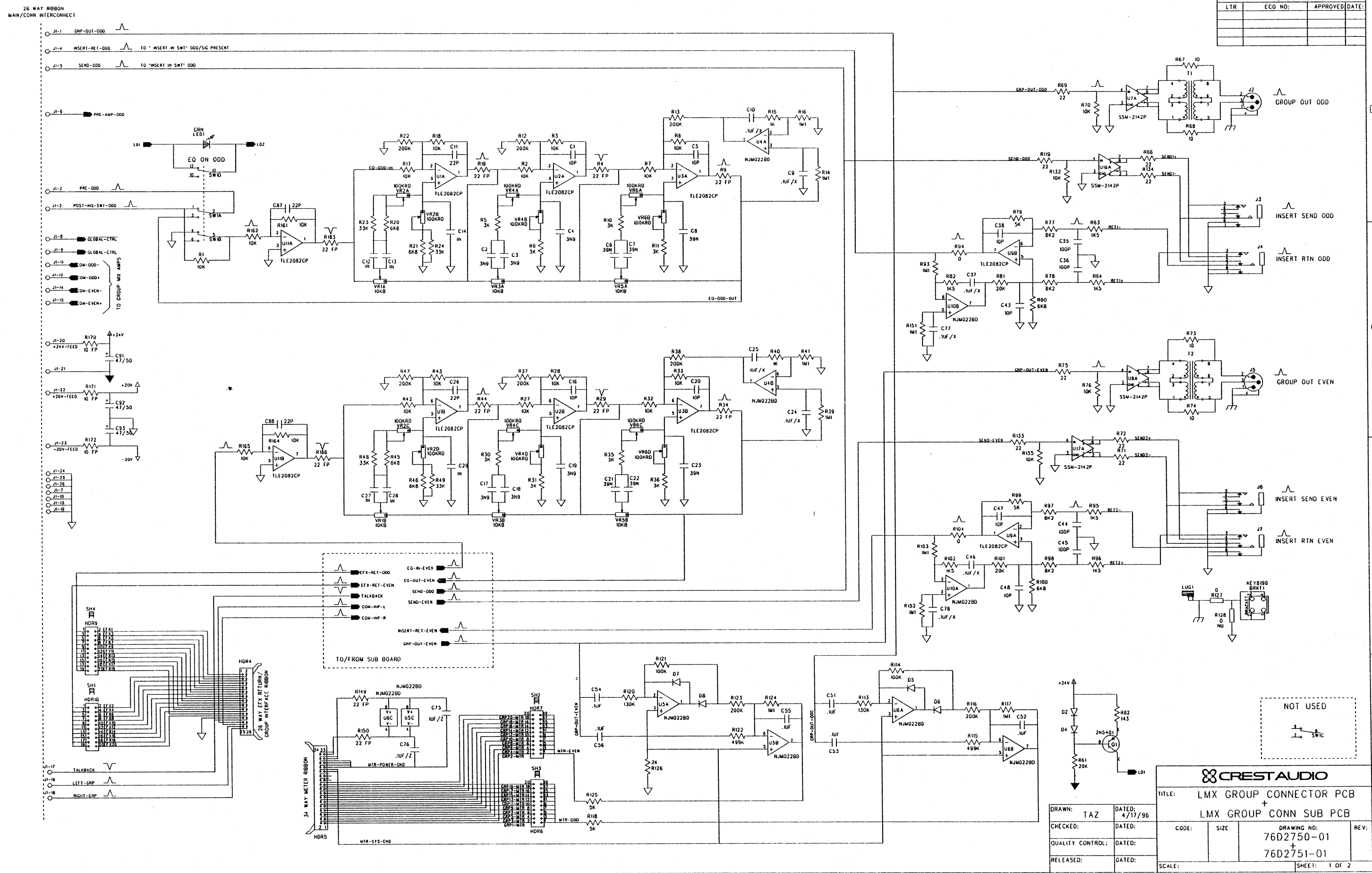
QUALITY CONTROL: DATED:

RELIASSED: DATED:

CODE: SIZE: DRAWING NO: 7602745-02

SCALE: SHEET: 1 OF 1

REVISION RECORD			
LTR	ECO NO:	APPROVED	DATE:



CRESTAUDIO

TITLE: LMx GROUP CONNECTOR PCB
+
LMx GROUP CONN SUB PCB

DRAWN: TAZ	DATED: 4/17/96	CODE:	SIZE:	DRAWING NO: 76D2750-01	REV:
CHECKED:	DATED:			76D2751-01	
QUALITY CONTROL:	DATED:				
RELEASED:	DATED:				

SCALE: SHEET: 1 OF 2

Schematic #5

6

5

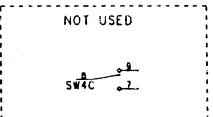
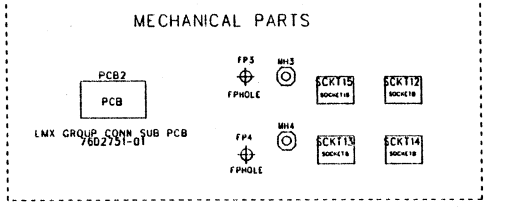
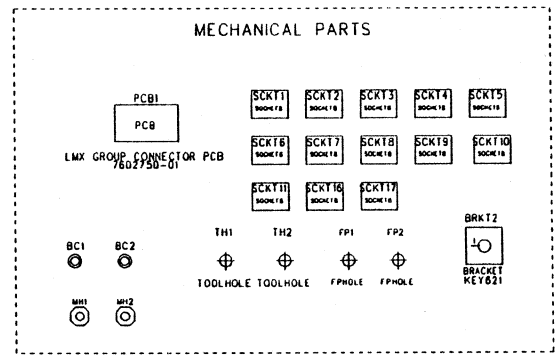
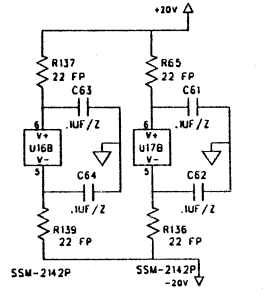
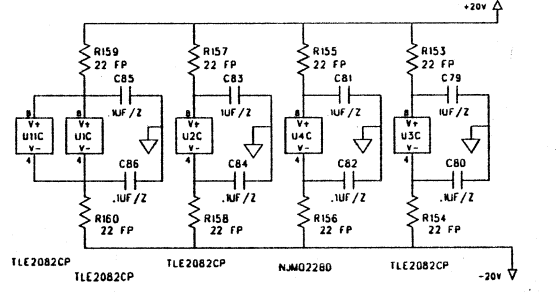
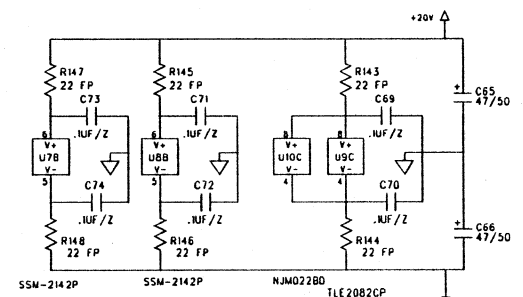
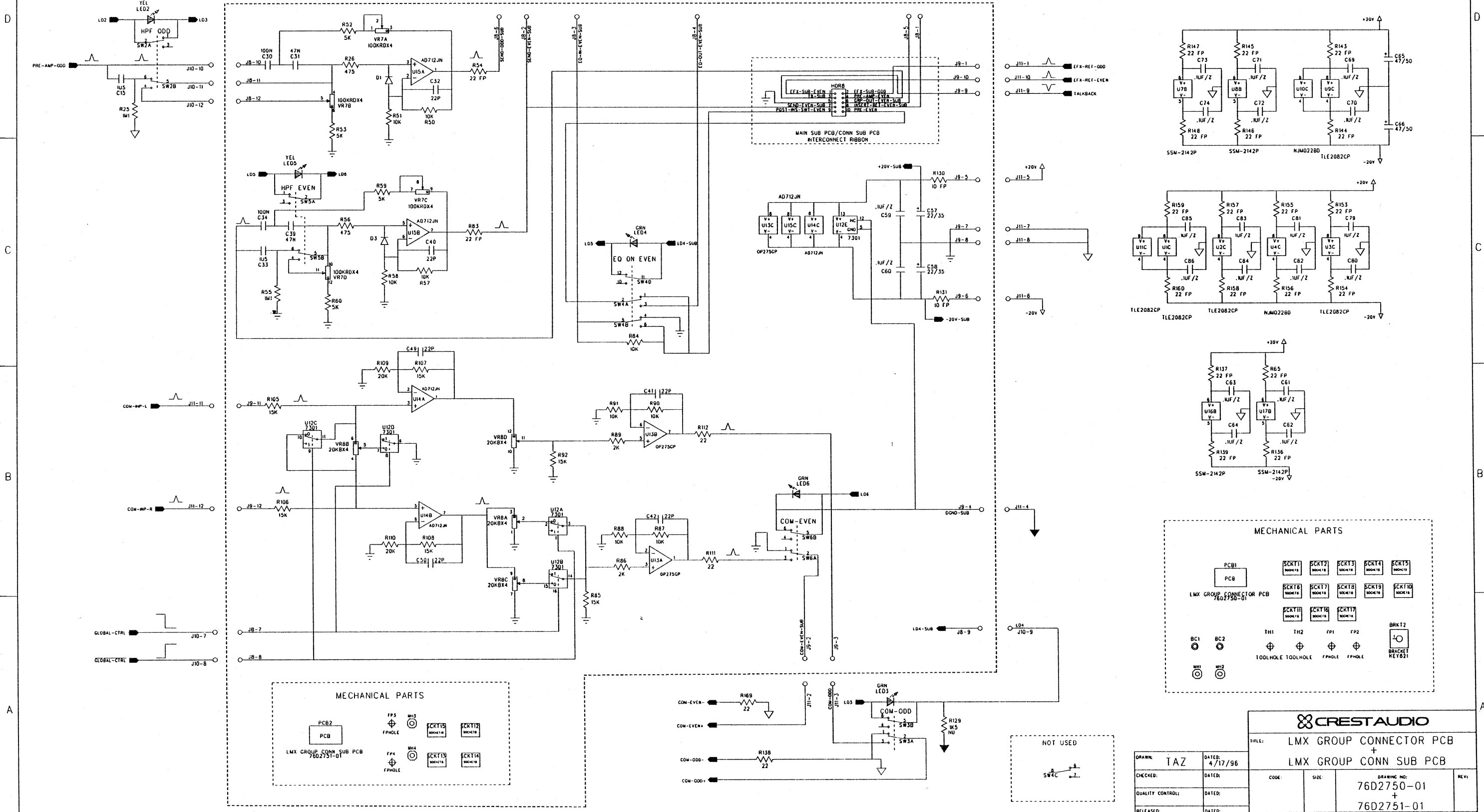
4

3

2

1

REVISION RECORD			
LTR	ECD NO.	APPROVED:	DATE:



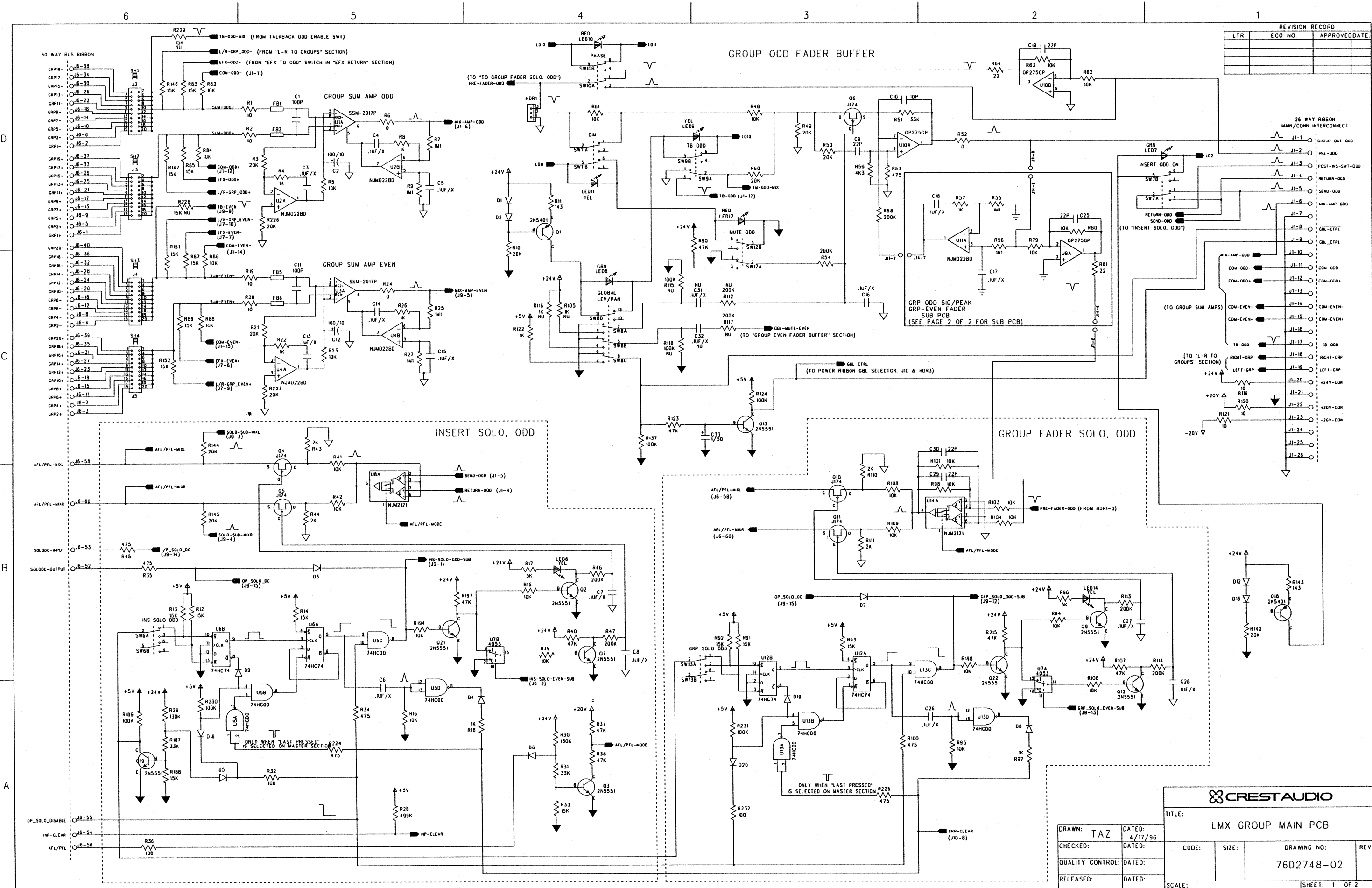
CREST AUDIO

FILE: LMX GROUP CONNECTOR PCB
+
LMX GROUP CONN SUB PCB

DRAWN: TAZ	DATE: 4/17/96	CODE:	SIZE:	DRAWING NO: 76D2750-01 + 76D2751-01	REV:
CHECKED:	DATE:				
QUALITY CONTROL:	DATE:				
RELEASED:	DATE:				

SCALE: SHEET: 2 OF 2

Schematic #6



REVISION RECORD		
LTR	ECO NO.	APPROVED DATE

DRAWN: TAZ		DATED: 4/17/96	
		CHECKED: DATED:	
QUALITY CONTROL: DATED:		RELEASED: DATED:	
TITLE: LMX GROUP MAIN PCB		CODE:	SIZE:
DRAWING NO: 7602748-02		REV:	
SCALE:		SHEET: 1 OF 2	

Schematic #7

6

5

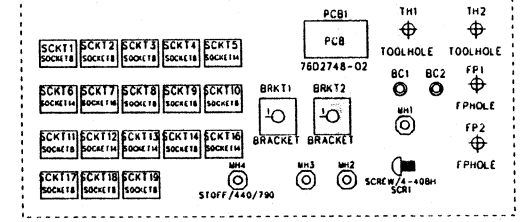
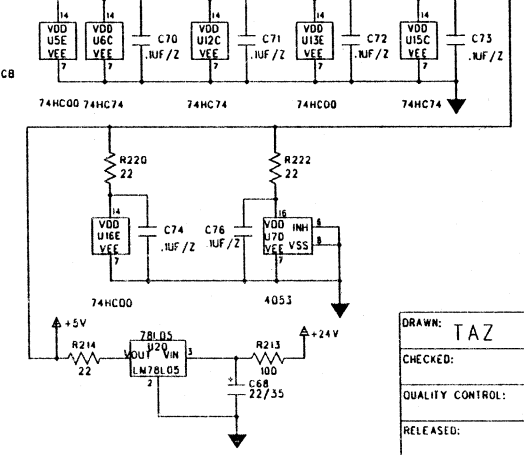
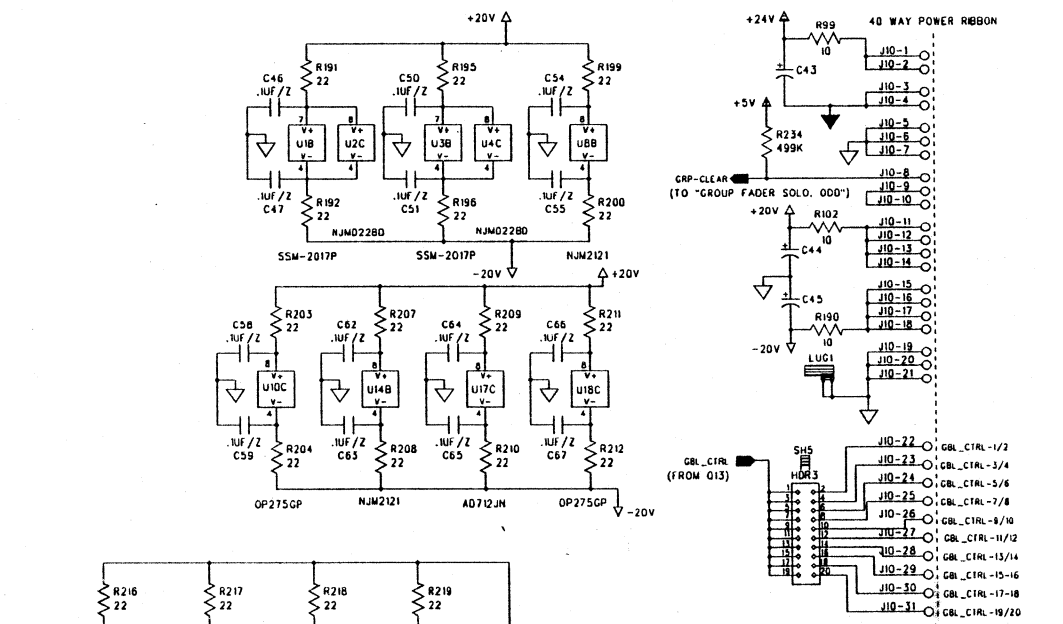
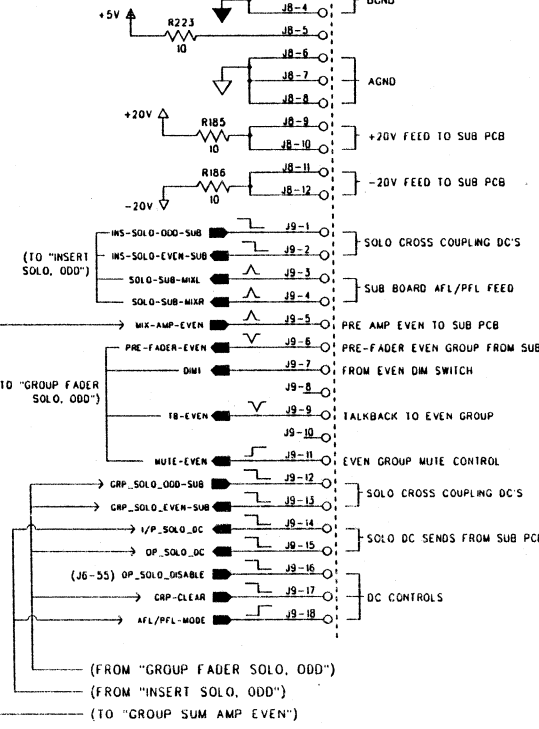
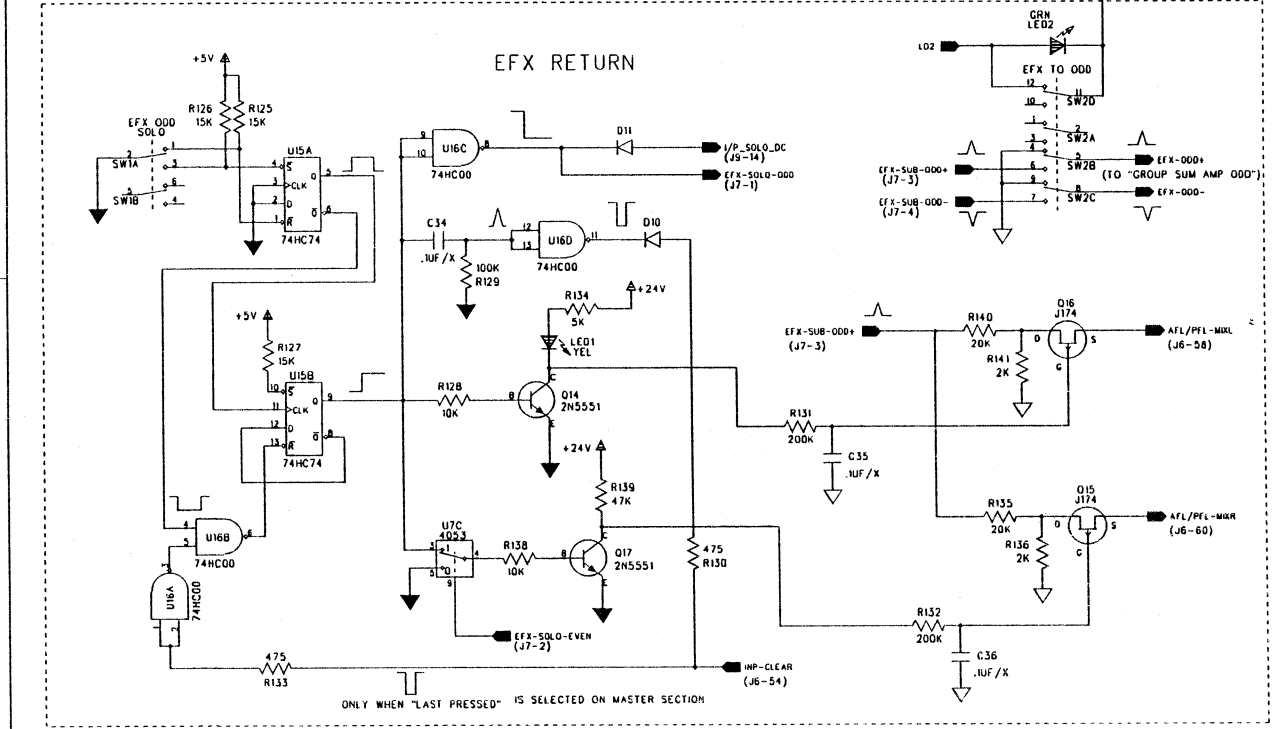
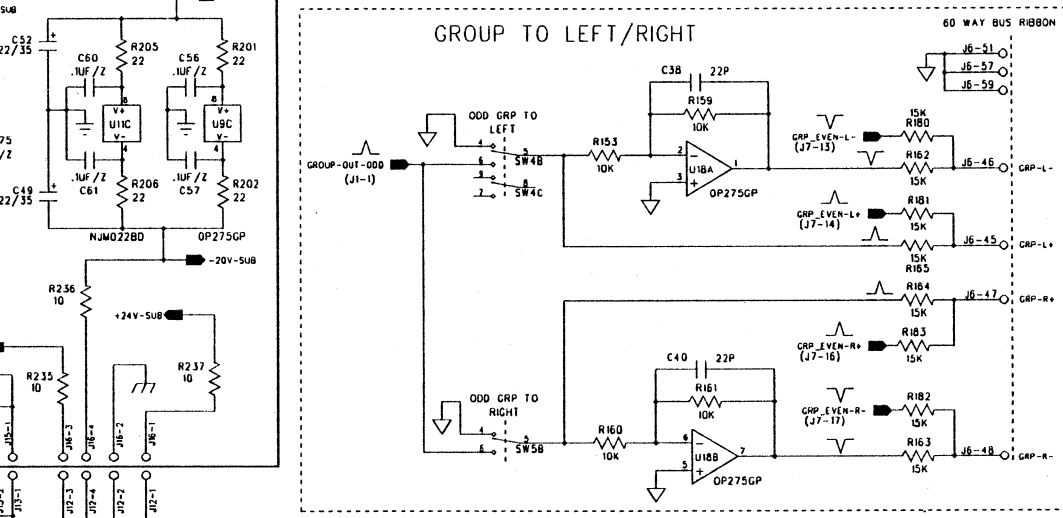
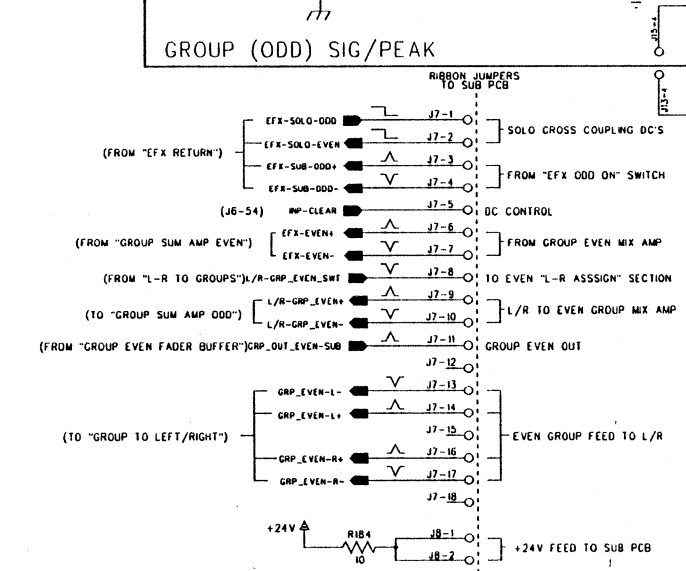
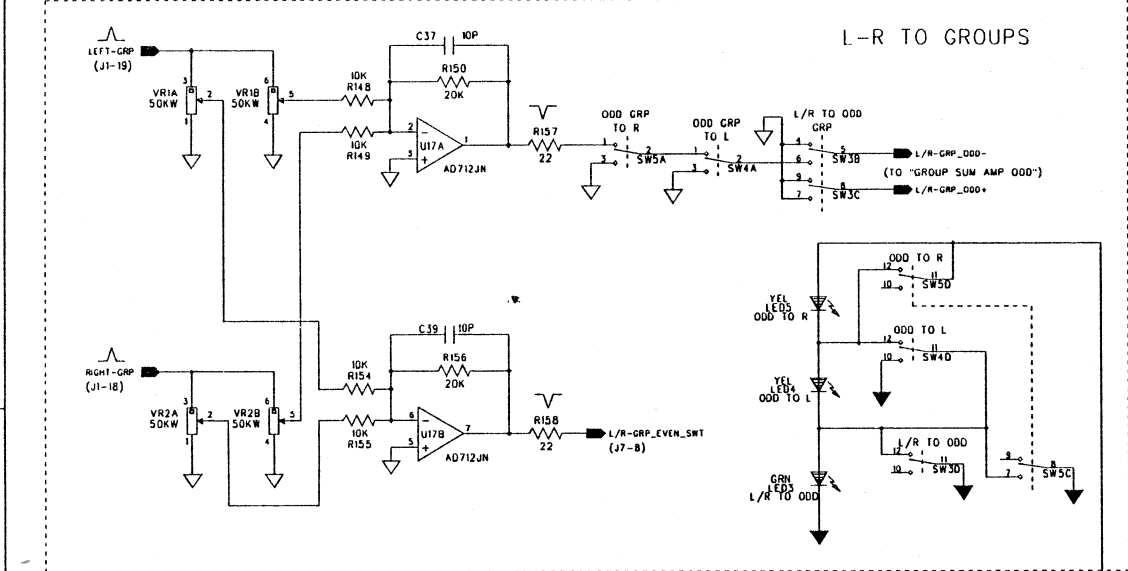
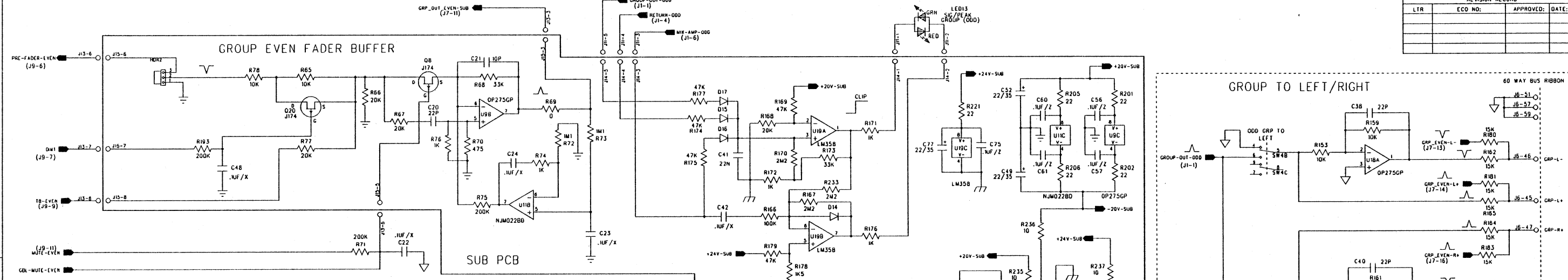
4

3

2

1

LTR	ECO NO.	APPROVED:	DATE:



CRESTAUDIO

TITLE: **LMX GROUP MAIN PCB**

CODE: SIZE: DRAWING NO: REV:

76D2748-02

SCALE: SHEET: 2 OF 2

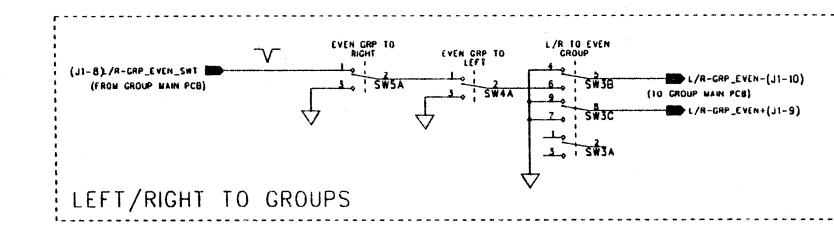
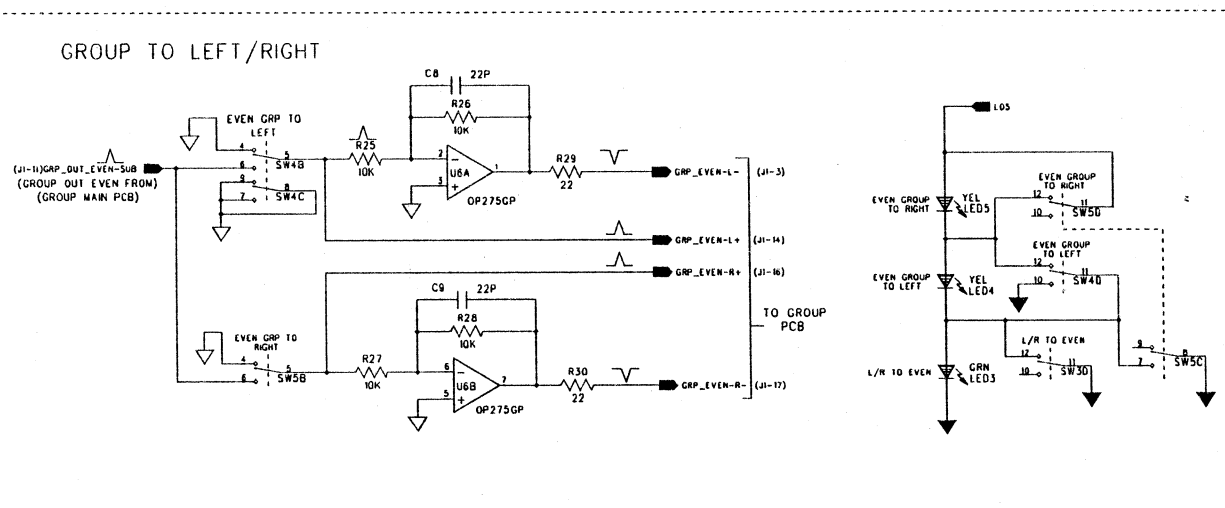
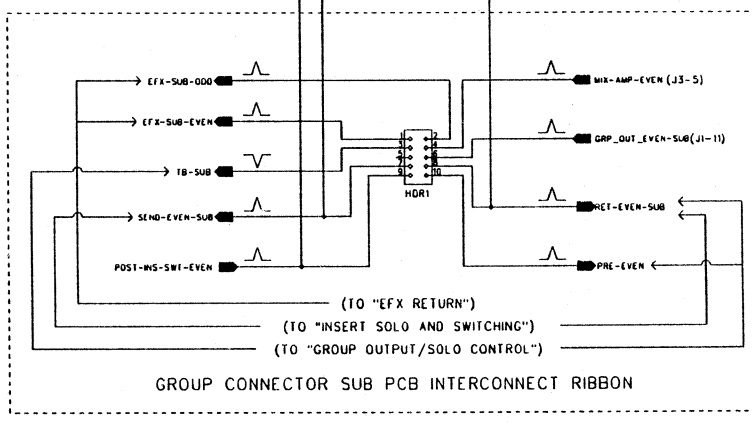
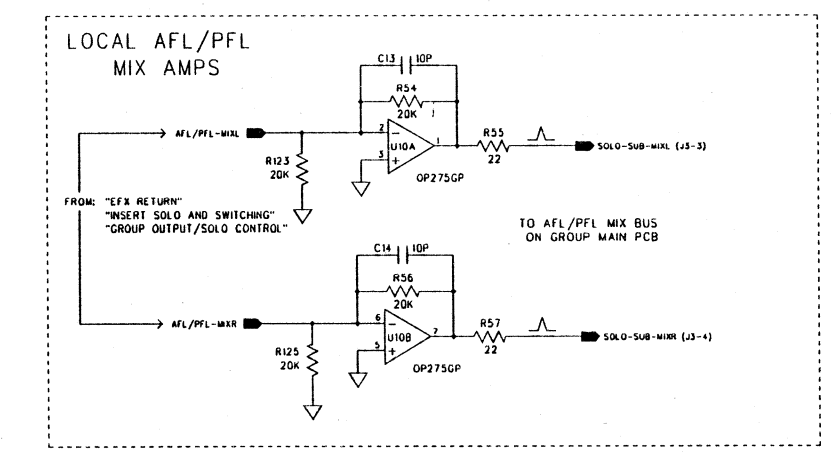
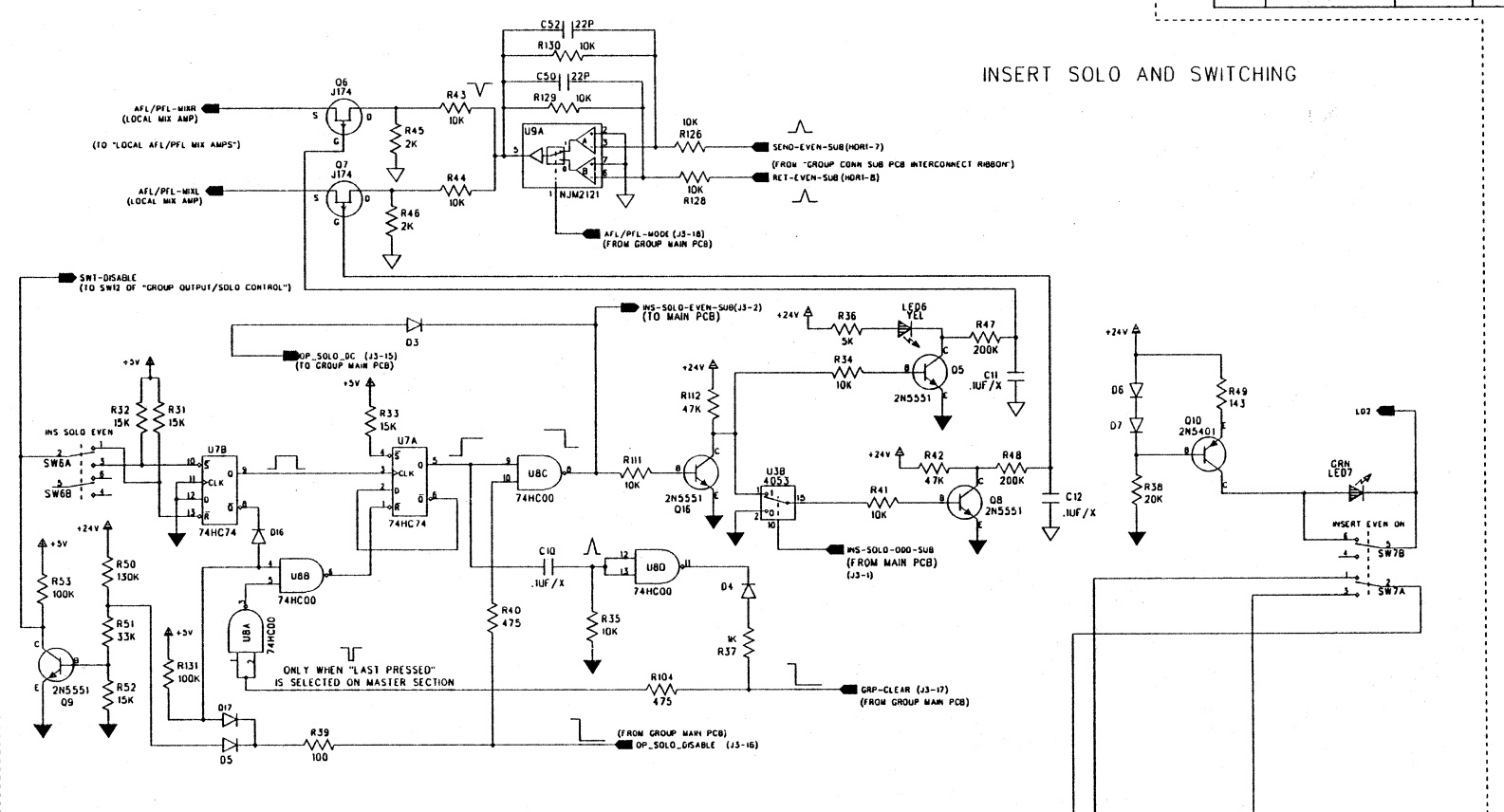
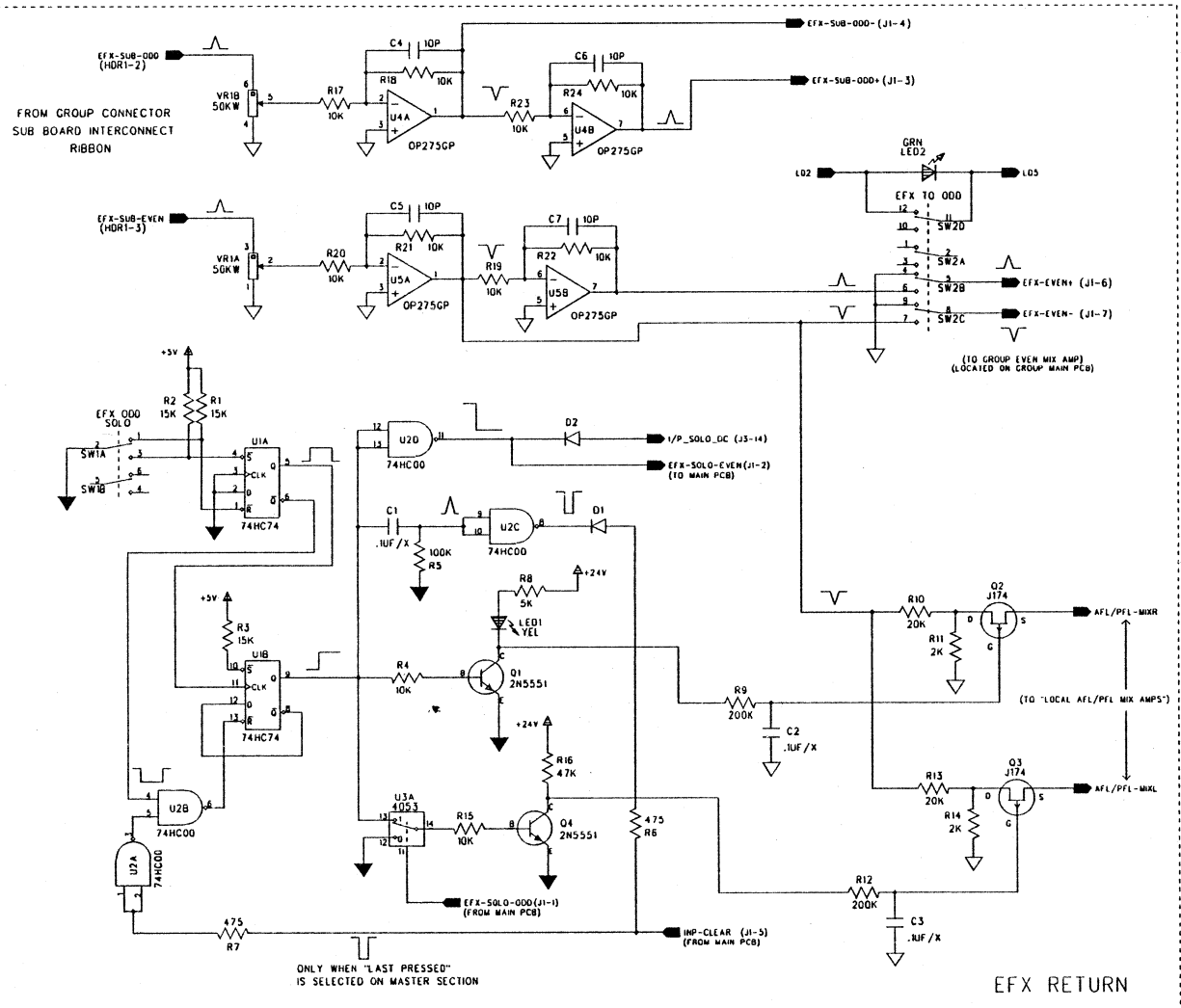
DRAWN: TAZ DATED: 5/22

CHECKED: DATED:

QUALITY CONTROL: DATED:

RELEASED: DATED:

REVISION RECORD			
LTR	ECD NO:	APPROVED	DATE:



CRESTAUDIO				
TITLE: LMX GROUP MAIN SUB PCB				
DRAWN: TAZ	DATED: 4/19/96	CODE:	SIZE:	DRAWING NO: 76D2749-01
CHECKED:	DATED:	SCALE:	REV: 1 OF 2	
QUALITY CONTROL:	DATED:	SHEET: 1 OF 2		
RELEASED:	DATED:	SHEET: 1 OF 2		

Schematic #9

6

5

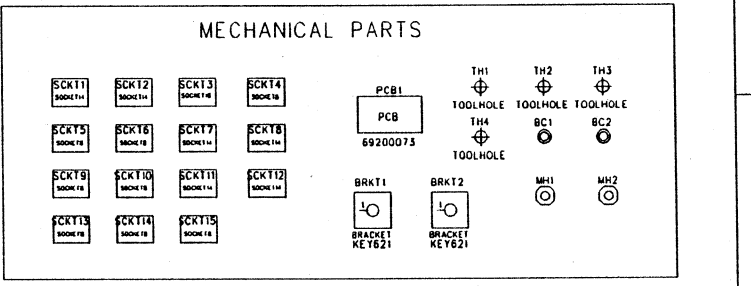
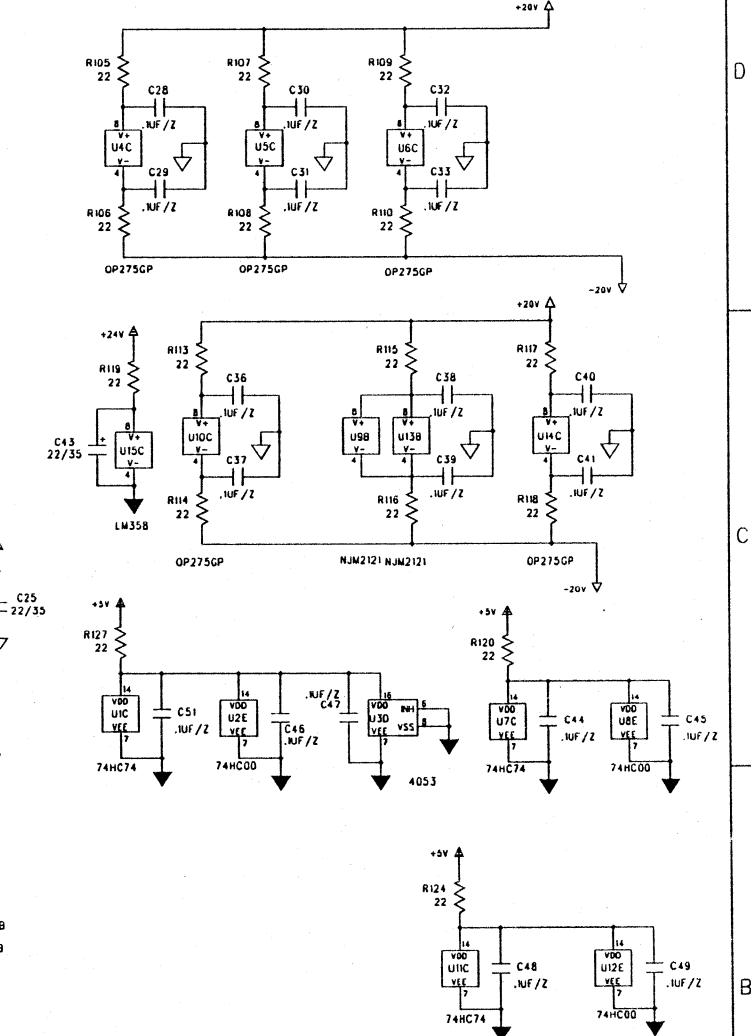
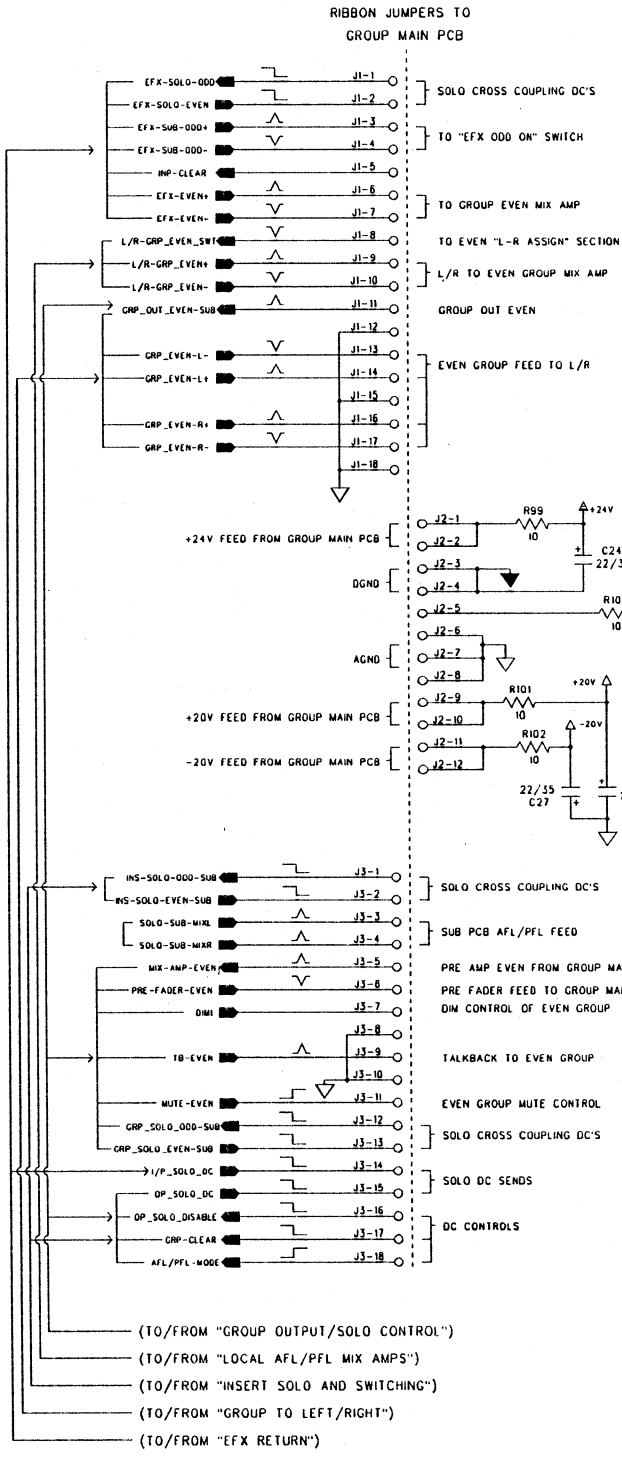
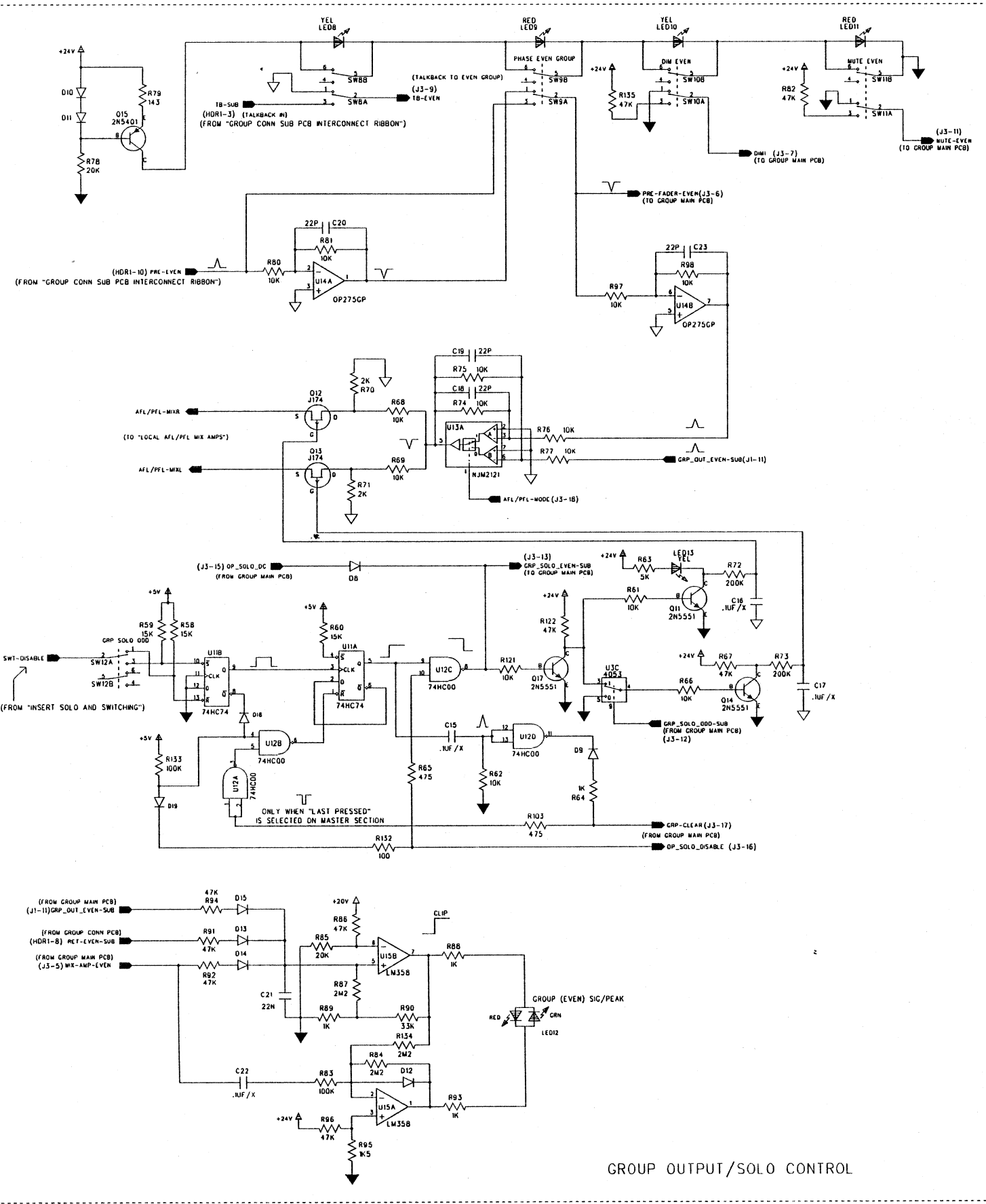
4

3

2

1

REVISION RECORD			
LT#	ECO NO.	APPROVED:	DATE:



CRESTAUDIO			
TITLE: LMX GROUP MAIN SUB PCB			
DRAWN: TAZ	DATED: 4/19/96		
CHECKED:	DATED:		
QUALITY CONTROL:	DATED:		
RELEASED:	DATED:		
CODE:	SIZE:	DRAWING NO: 7602749-01	REV:
SCALE:	SHEET: 2 of 2		

6

5

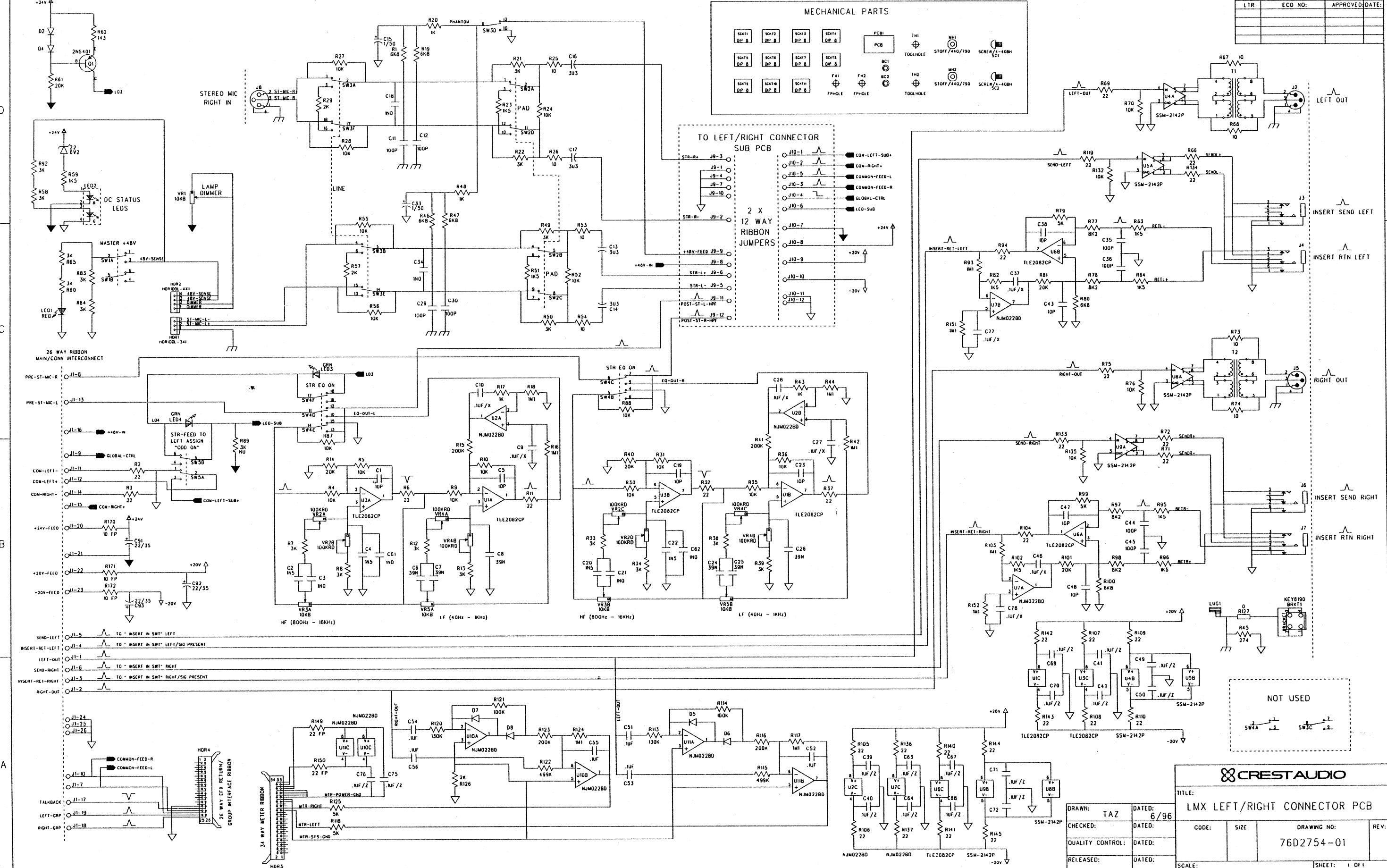
4

3

2

1

REVISION RECORD			
LTR	ECD NO.	APPROVED	DATE



CRESTAUDIO			
TITLE: LMx LEFT/RIGHT CONNECTOR PCB			
DRAWN: TAZ	DATED: 6/96	CODE:	SIZE:
CHECKED:	DATED:	DRAWING NO: 76D2754-01	
QUALITY CONTROL:	DATED:	REV:	SCALE:
RELEASED:	DATED:	SHEET: 1 OF 1	

Schematic #11

6

5

4

3

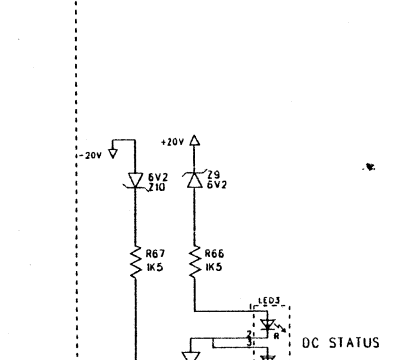
2

1

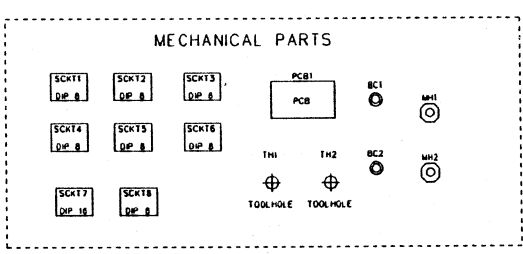
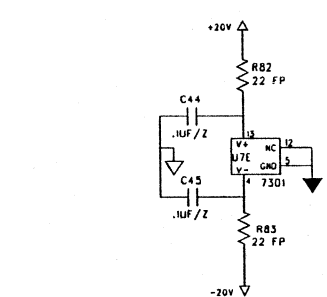
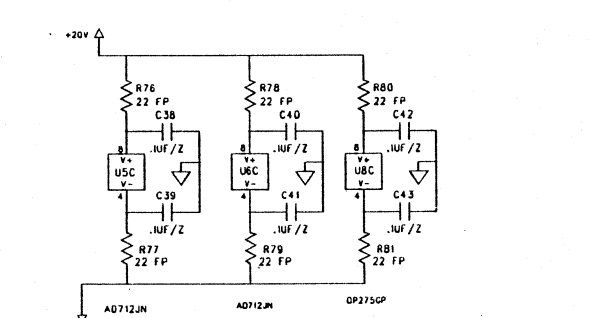
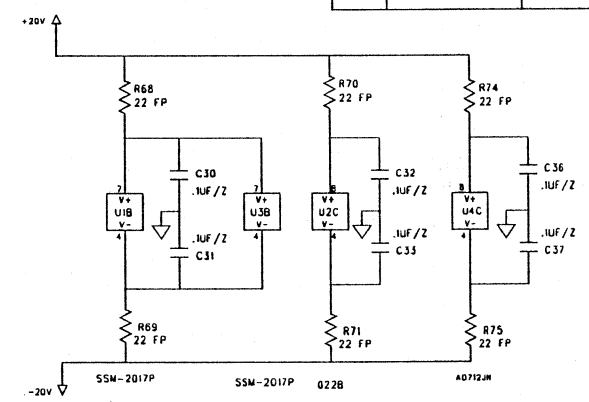
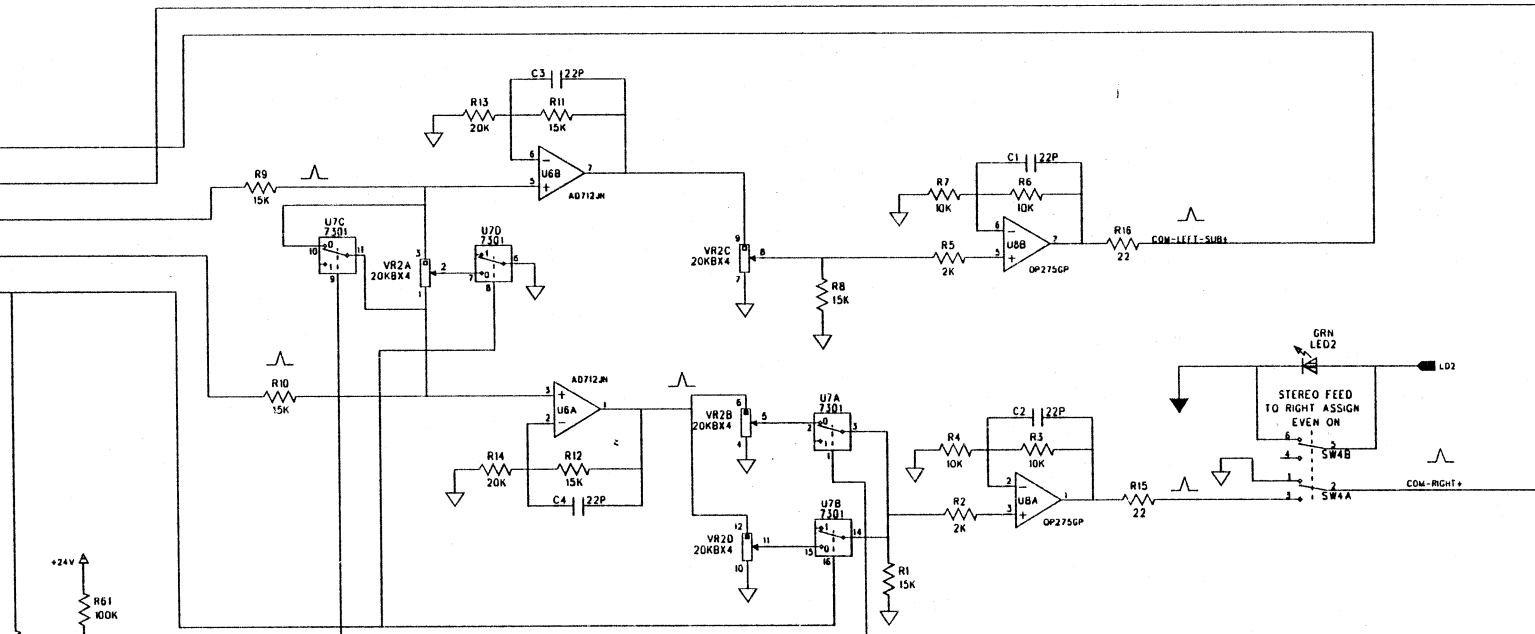
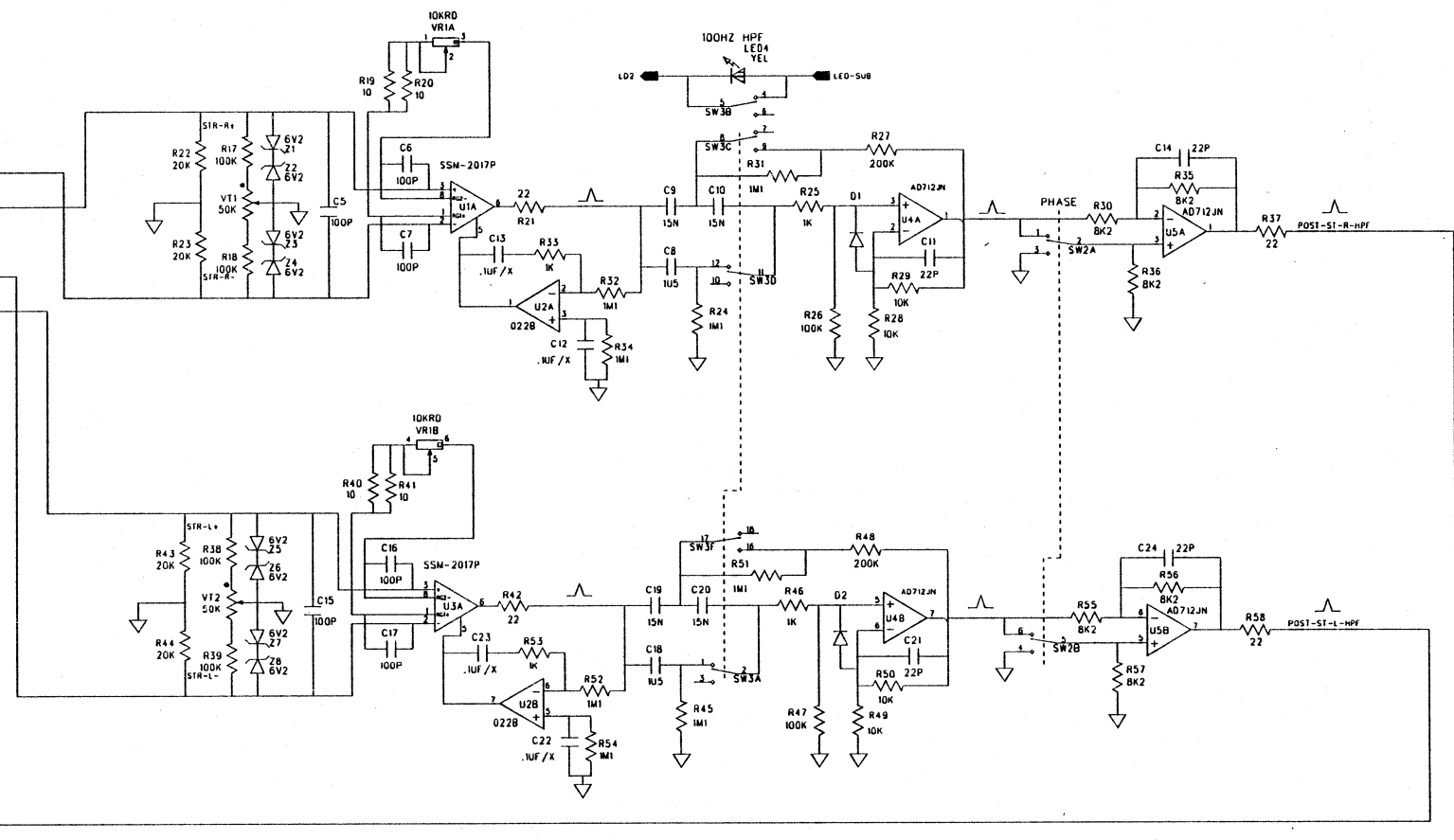
REVISION RECORD			
LTR	ECO NO:	APPROVED	DATE:

RIBBON JUMPERS TO LEFT/RIGHT CONN PCB

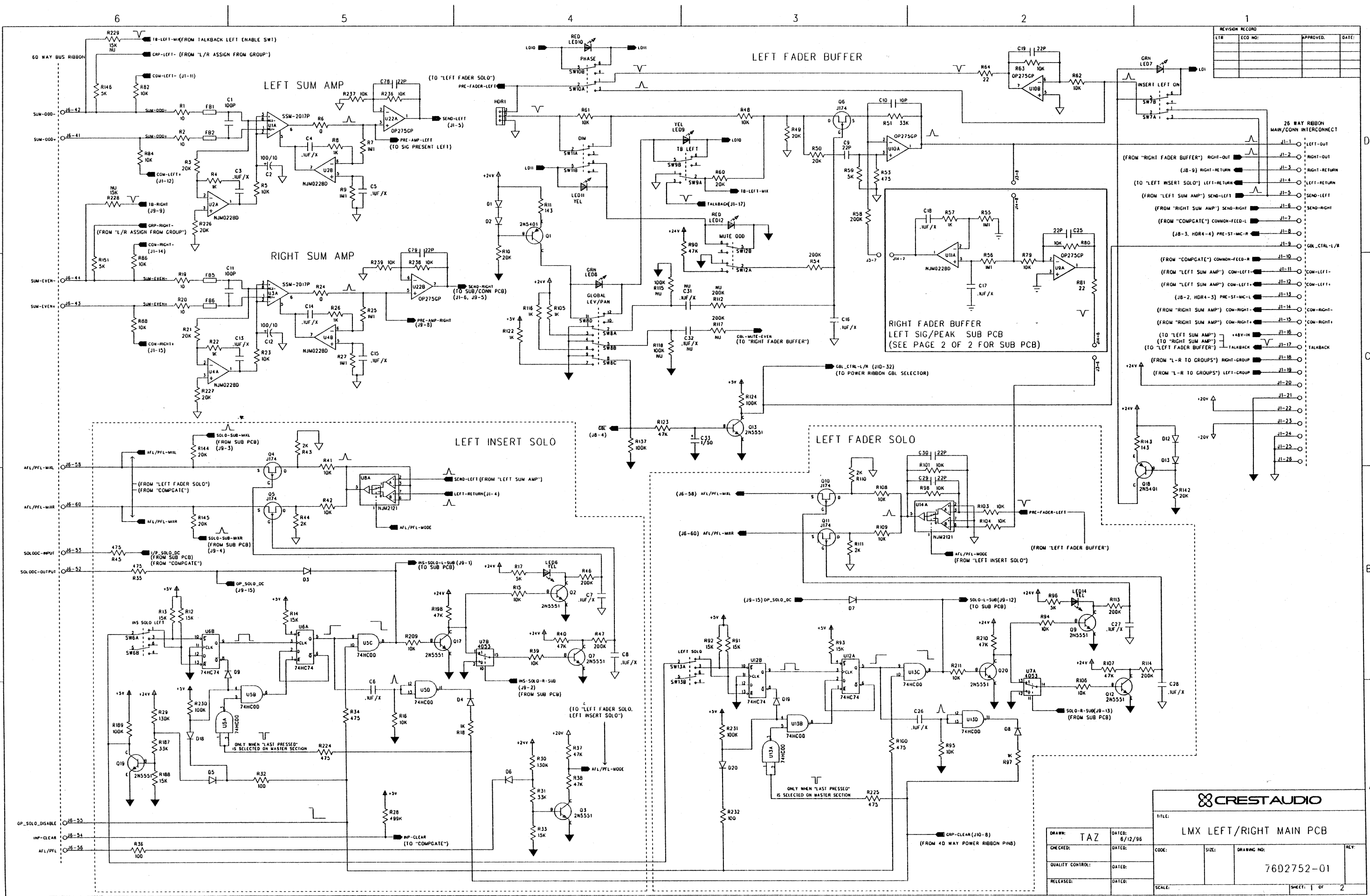
- STR-R-1 J1-1
- STR-R-1 J1-2
- STR-R-1 J1-3
- STR-R-1 J1-4
- STR-L-1 J1-5
- STR-L-1 J1-6
- STR-L-1 J1-7
- 48V-M J1-8
- 48V-FEED J1-9
- POST-ST-L-HPF J1-10
- POST-ST-R-HPF J1-11
- POST-ST-L-HPF J1-12



- COM-LEFT-SUB+ J2-1 "TO STEREO FEED TO ODD ON SWITCH"
- COM-RIGHT- J2-2 "TO RIGHT MIX AMP"
- COMMON-FEED+ J2-5 FROM STEREO FEED MASTER LEVEL BUFFER
- COMMON-FEED-R J2-3 FROM STEREO FEED MASTER LEVEL BUFFER
- GLOBAL-CTRL J2-4
- LED-SUB J2-6 LED-SUB
- J2-7
- +24V-SUB J2-8 R63 10 FP, C29 22/35
- +20V-SUB J2-9 R59 10 FP, R60 10 FP
- 20V-SUB J2-10 R60 10 FP, C28 22/35
- J2-11
- J2-12



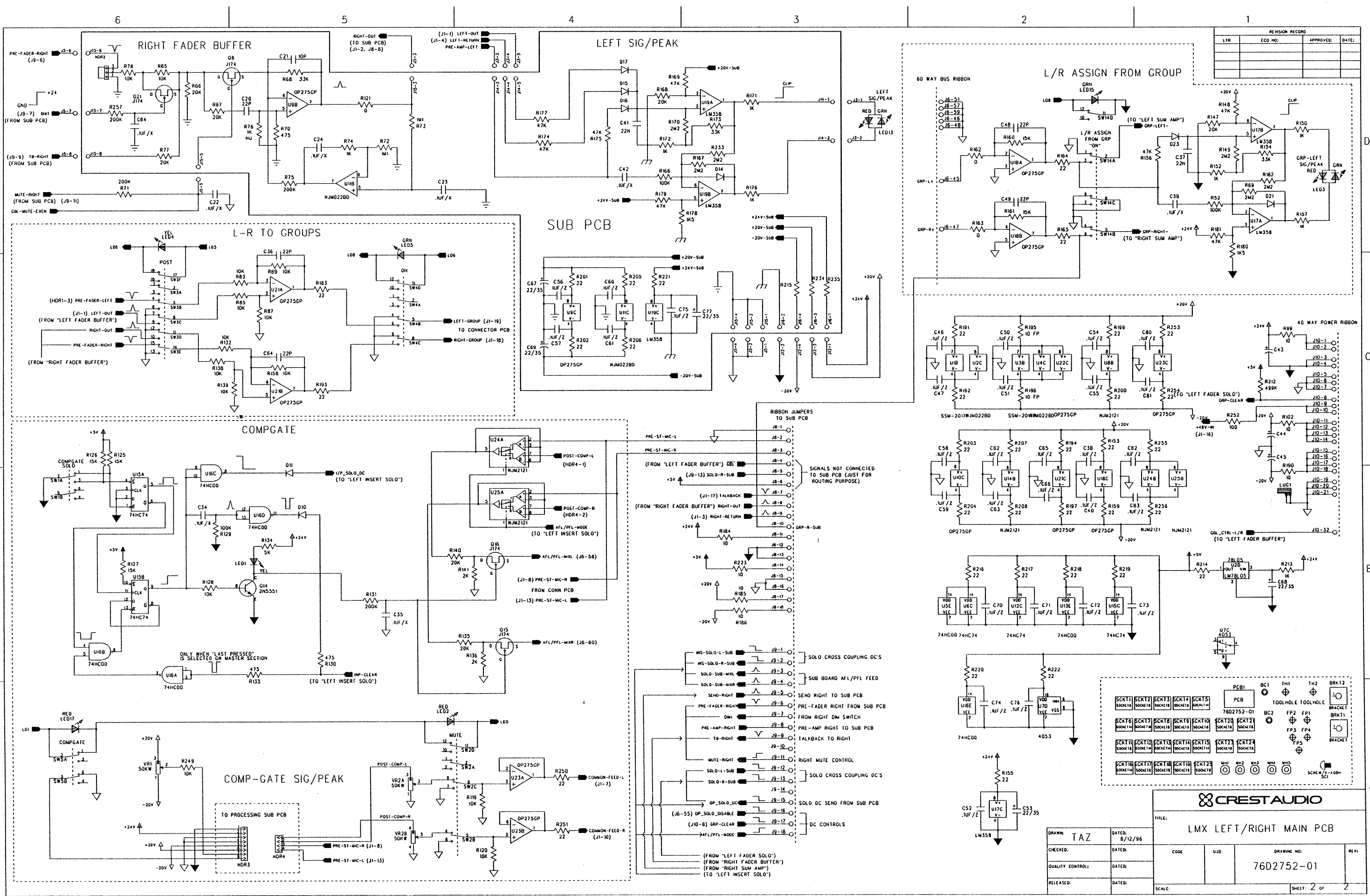
CRESTAUDIO			
TITLE: LMX LEFT/RIGHT CONNECTOR SUB PCB			
DRAWN: TAZ	DATED: 5/96	CODE:	SIZE:
CHECKED:	DATED:	DRAWING NO: 7602755-01	REV:
QUALITY CONTROL:	DATED:	SCALE:	SHEET: 1 OF 1
RELEASED:	DATED:		



REVISION RECORD			
LIB	ECO NO.	APPROVED	DATE

CRESTAUDIO	
TITLE: LMx LEFT/RIGHT MAIN PCB	
DRAWN: TAZ	DATED: 6/12/96
CHECKED:	DATED:
QUALITY CONTROL:	DATED:
RELEASED:	DATED:
CODE:	SIZE:
SCALE:	DRAWING NO: 7602752-01
REV: SHEET 1 OF 2	

Schematic #13



Schematic #14

6

5

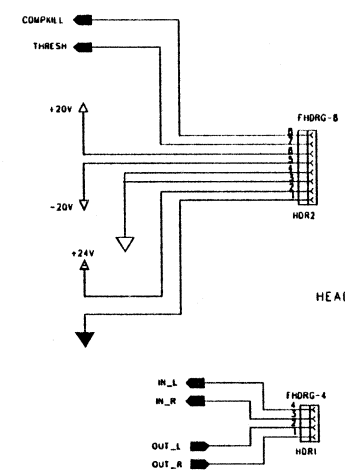
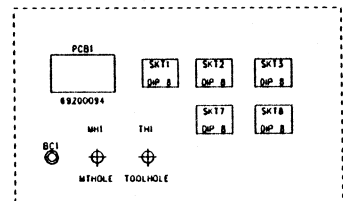
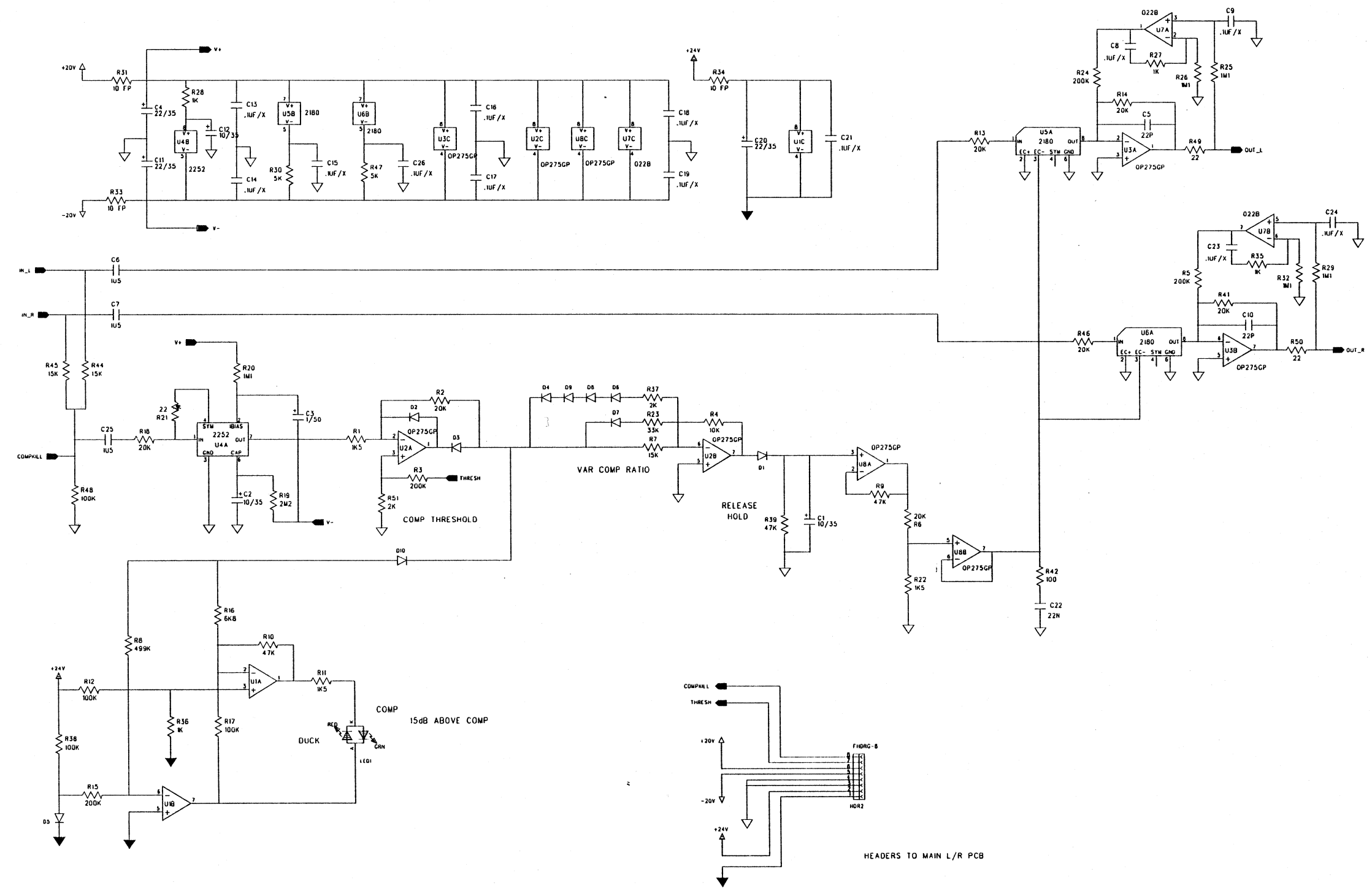
4

3

2

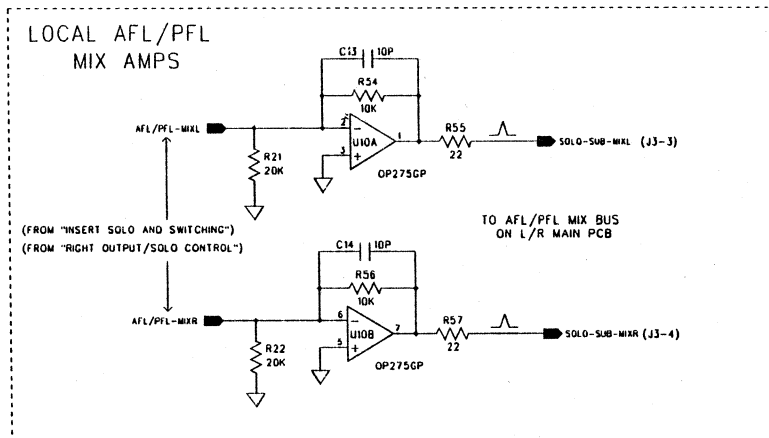
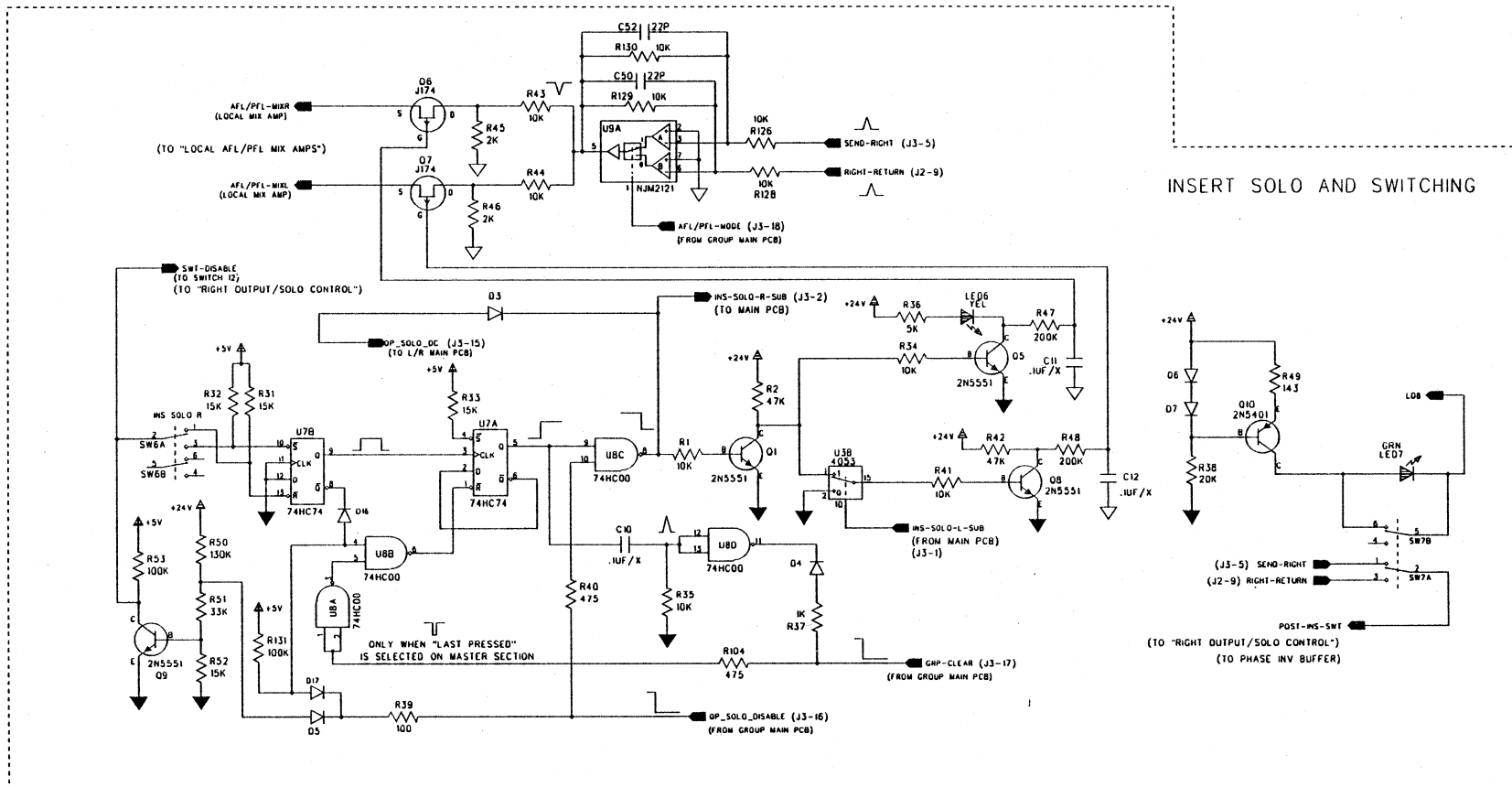
1

REVISION RECORD			
LTR	ECO NO.	APPROVED:	DATE:



CRESTAUDIO			
TITLE: LMx DYNAMICS SUB BOARD FITTED TO LMx L/R MAIN PCB			
DRAWN: JRP	DATED: 4/96	CODE:	REV: 00
CHECKED:	DATED:	SIZE:	DRAWING NO: 7602891
QUALITY CONTROL:	DATED:	SCALE:	SHEET: OF
RELEASED:	DATED:		

REVISION RECORD			
LTR	ECO NO.	APPROVED:	DATE:



CREST AUDIO			
TITLE: LMX LEFT/RIGHT MAIN SUB PCB			
DRAWN: TAZ	DATED: 4/9/96	CODE:	SIZE:
CHECKED:	DATED:	DRAWING NO: 76D2753-01	REV:
QUALITY CONTROL:	DATED:	SCALE:	SHEET: 1 of 2
RELEASED:	DATED:		

6

5

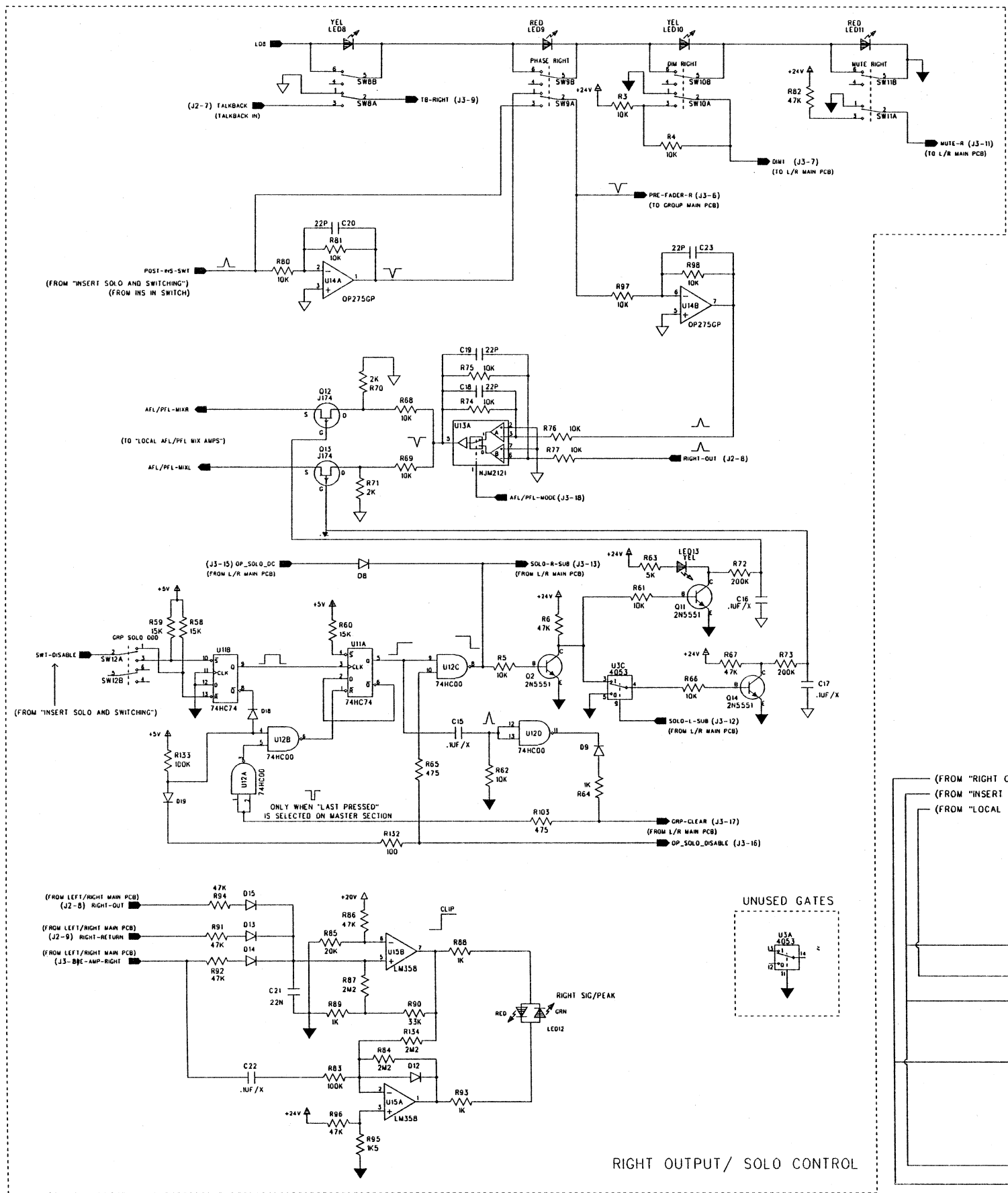
4

3

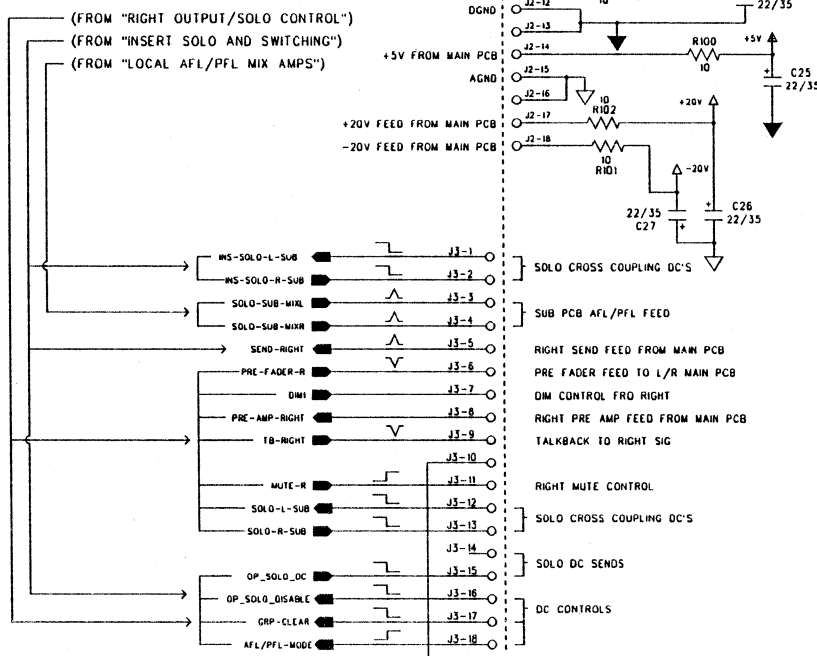
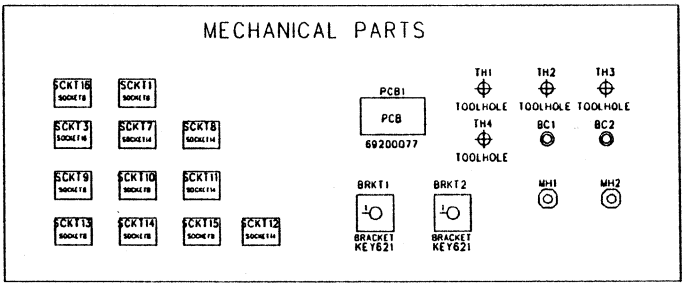
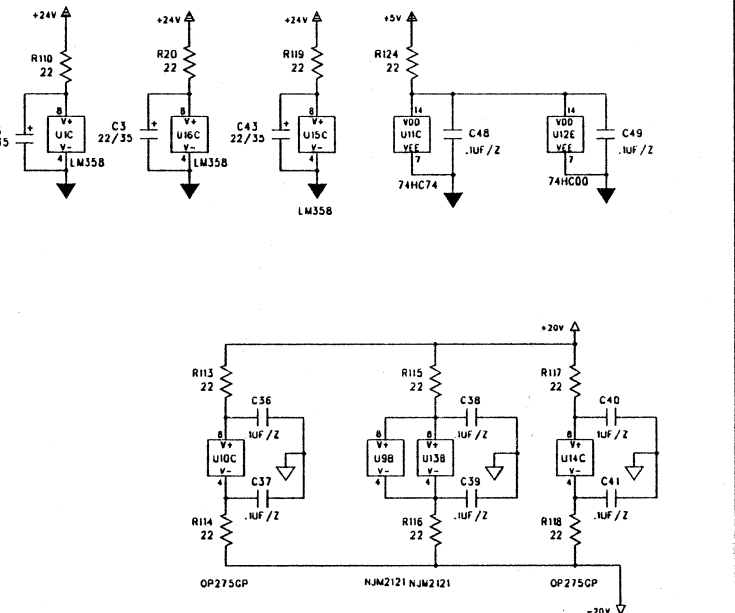
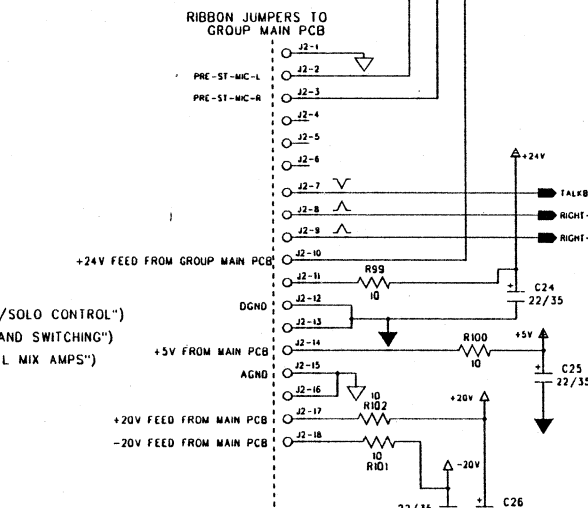
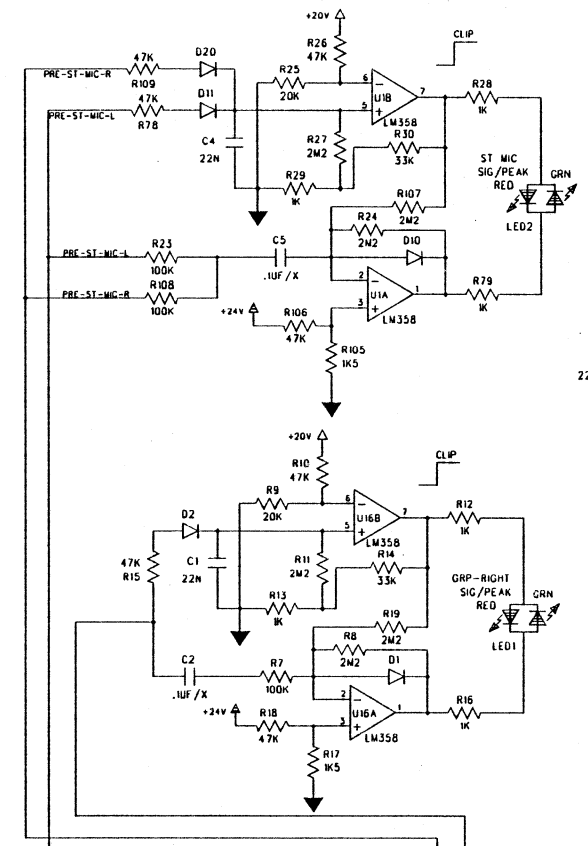
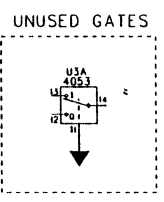
2

1

REVISION RECORD			
LTR	ECO NO.	APPROVED:	DATE:



RIGHT OUTPUT/ SOLO CONTROL



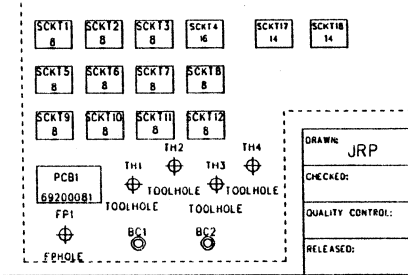
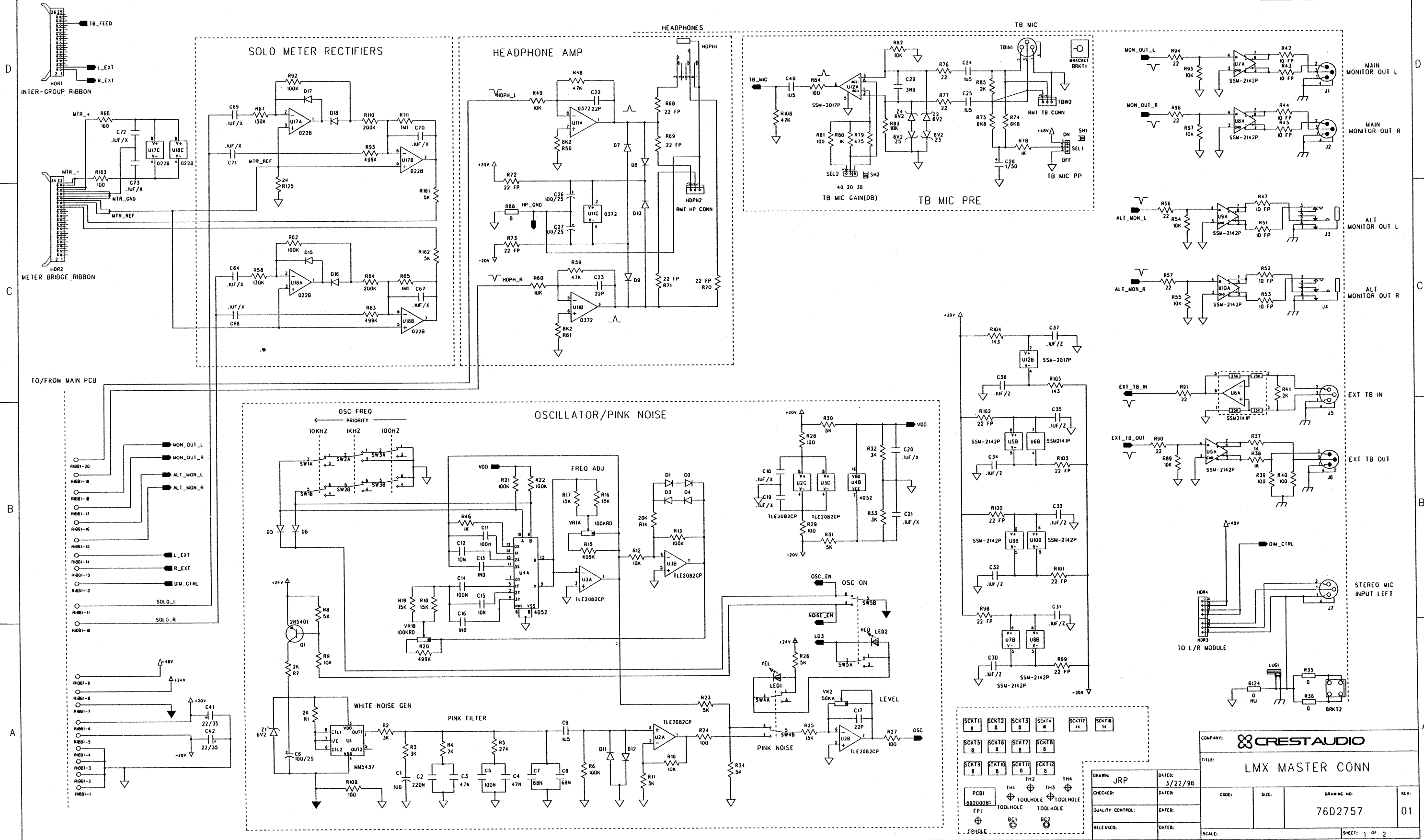
CRESTAUDIO

LMX LEFT/RIGHT MAIN SUB PCB

DRAWN: TAZ	DATED: 4/9/96
CHECKED:	DATED:
QUALITY CONTROL:	DATED:
RELEASED:	DATED:

CODE:	SIZE:	DRAWING NO:	REV:
		7602753-01	
SCALE:	SHEET: 2 of 2		

REVISION RECORD			
LT#	ECO NO:	APPROVED:	DATE:



COMPANY: CRESTAUDIO	
TITLE: LMX MASTER CONN	
DRAWN: JRP	DATE: 3/22/96
CHECKED:	DATE:
QUALITY CONTROL:	DATE:
RELEASED:	DATE:
CODE:	SIZE:
GRAPHIC NO:	REV:
7602757	01
SCALE:	SHEET: 1 OF 2

Schematic #18

6

5

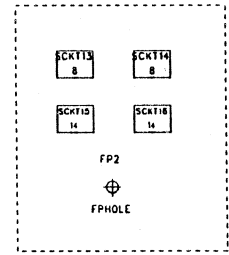
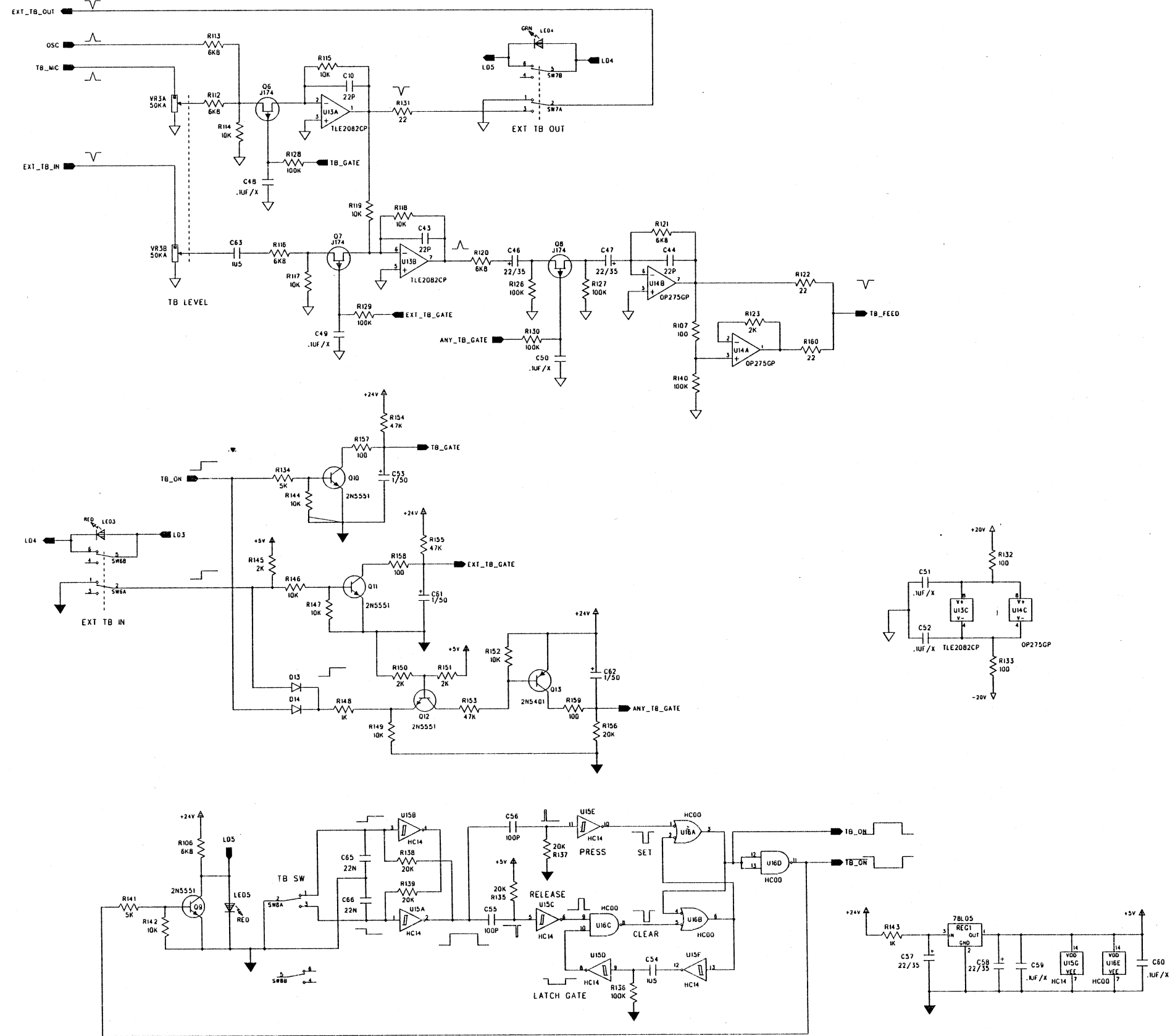
4

3

2

1

REVISION RECORD			
LTR	ECO NO.	APPROVED:	DATE:



DRAWN: JRP	DATED: 3/22/96
CHECKED:	DATED:
QUALITY CONTRL:	DATED:
RELEASED:	DATED:

CRESTAUDIO

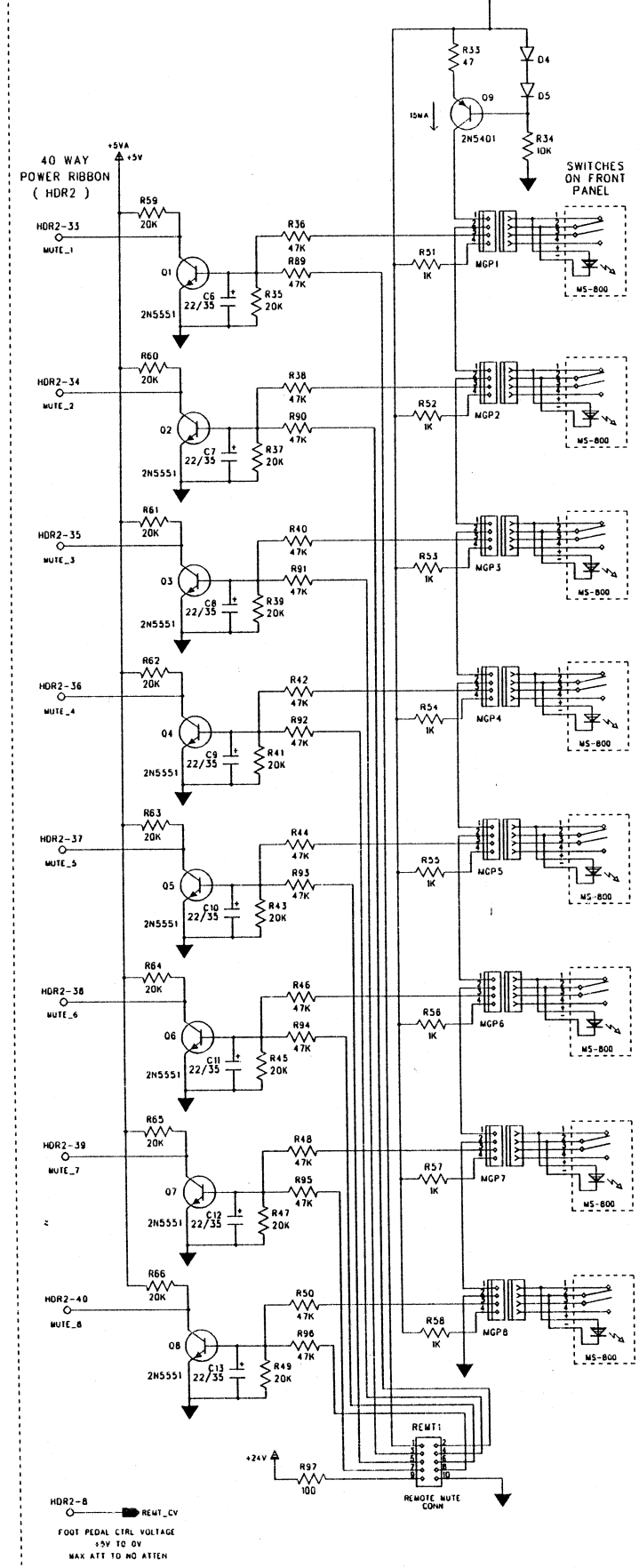
TITLE: LMX MASTER CONN

CODE:	SIZE:	DRAWING NO:	REV:
		7602757	01

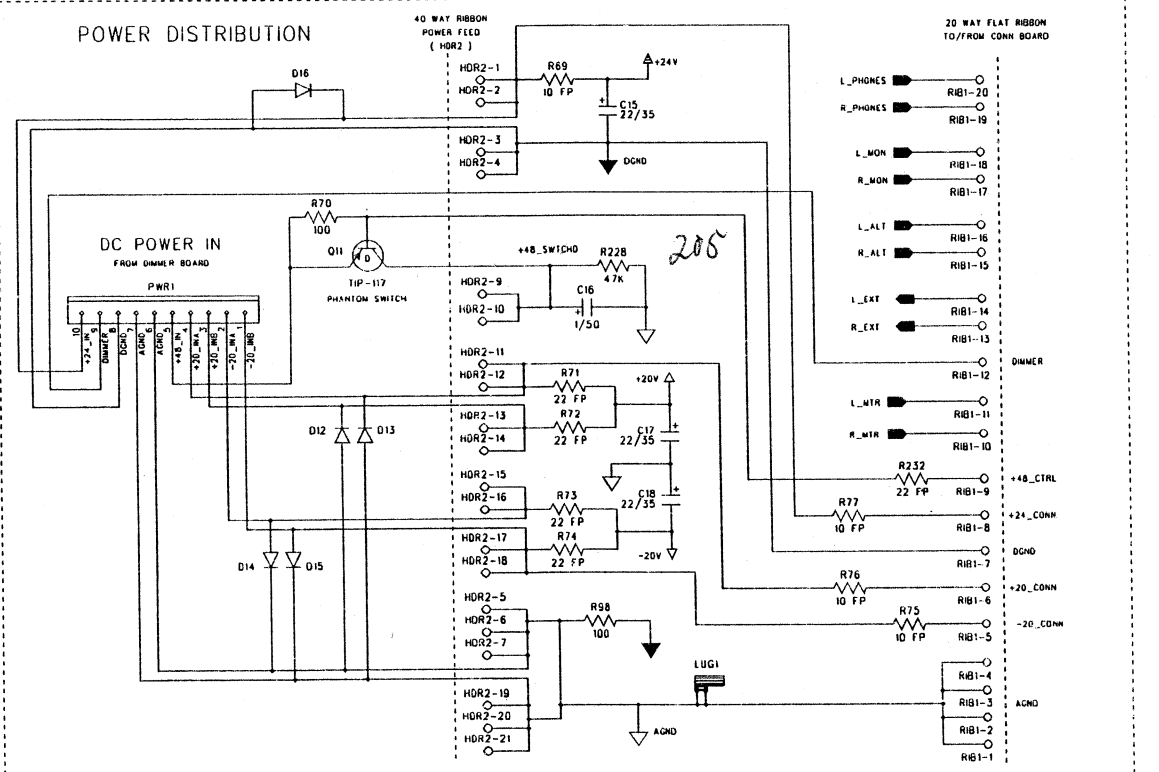
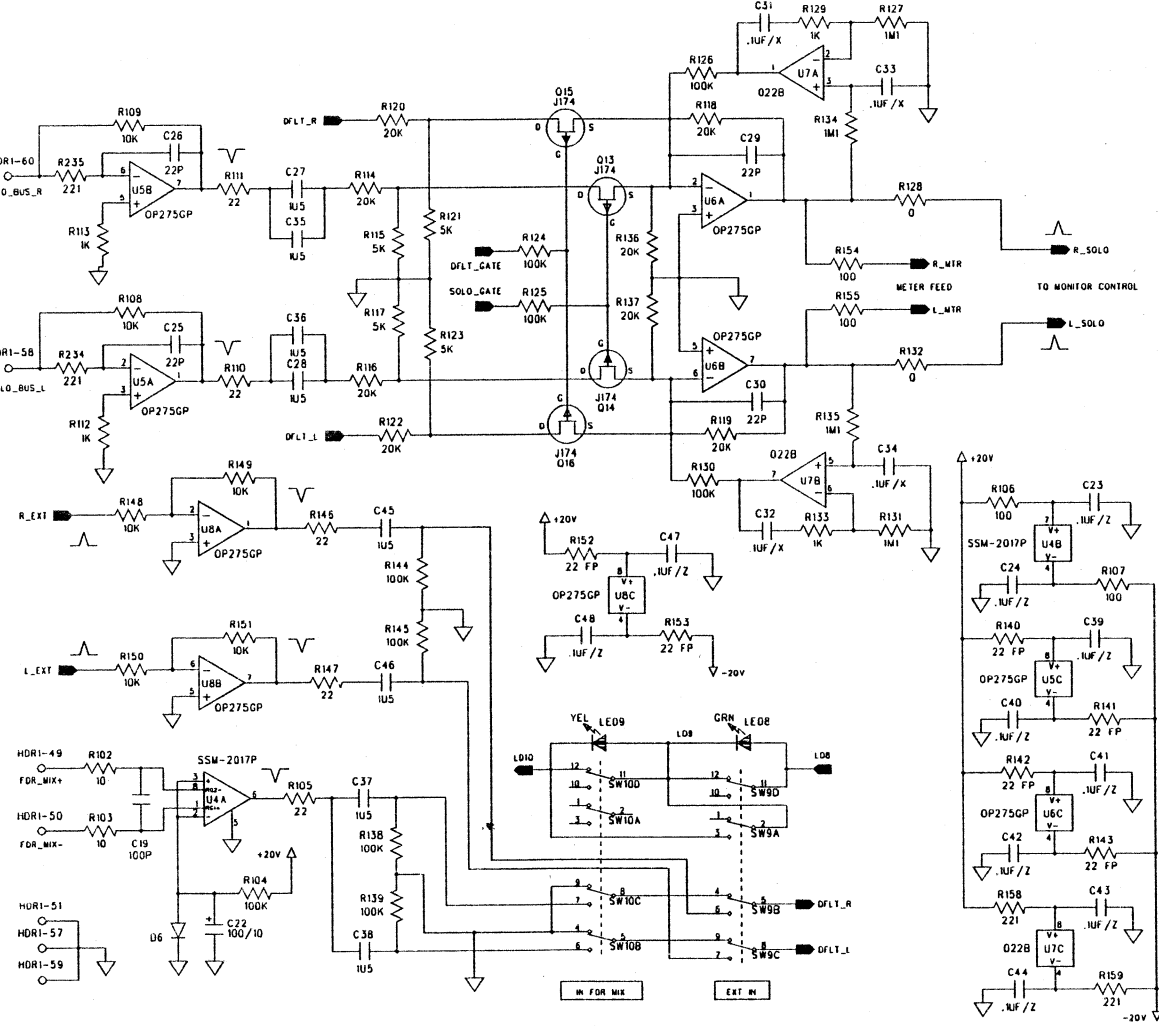
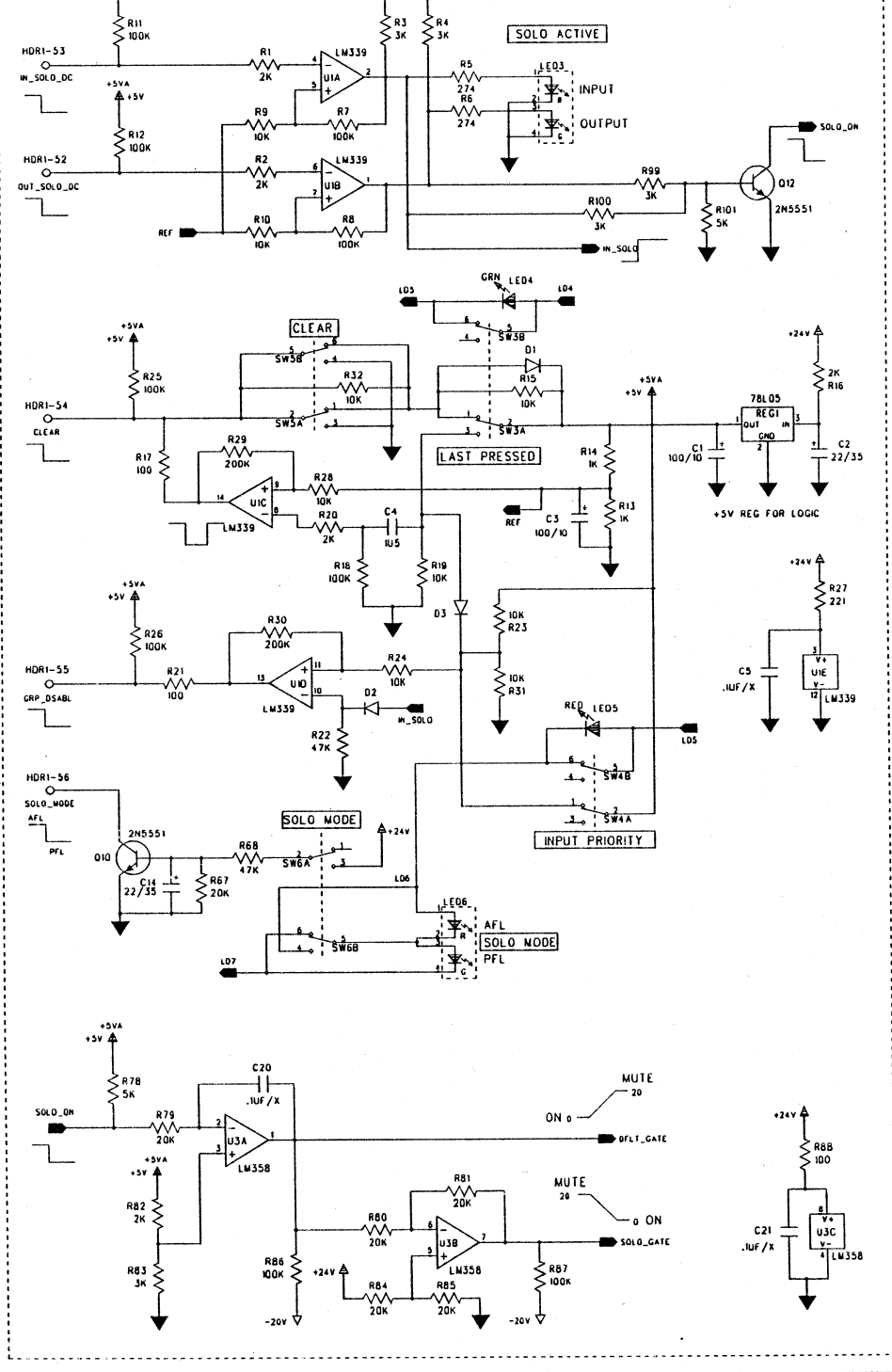
SCALE: SHEET: 2 OF 2

REVISION RECORD			
LTR	ECO NO.	APPROVED:	DATE:

MUTE CONTROL SECTION



SOLO CONTROL SECTION



COMPANY: **CREST AUDIO**

TITLE: **LMX MASTER MAIN**

DRAWN: JRP	DATED: 5/2/96	DRAWING NO: 7602756	REV 01
CHECKED:	DATED:		
QUALITY CONTROL:	DATED:	P/N 692-80	
RELEASED:	DATED:	SCALE:	SHEET 1 OF 2

6

5

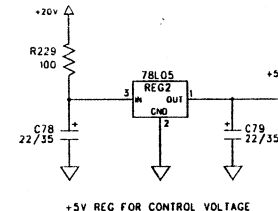
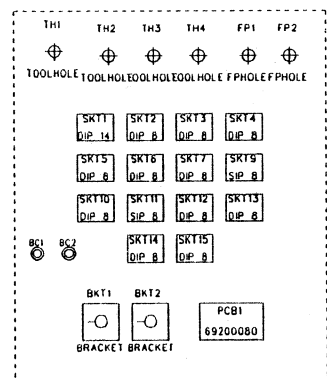
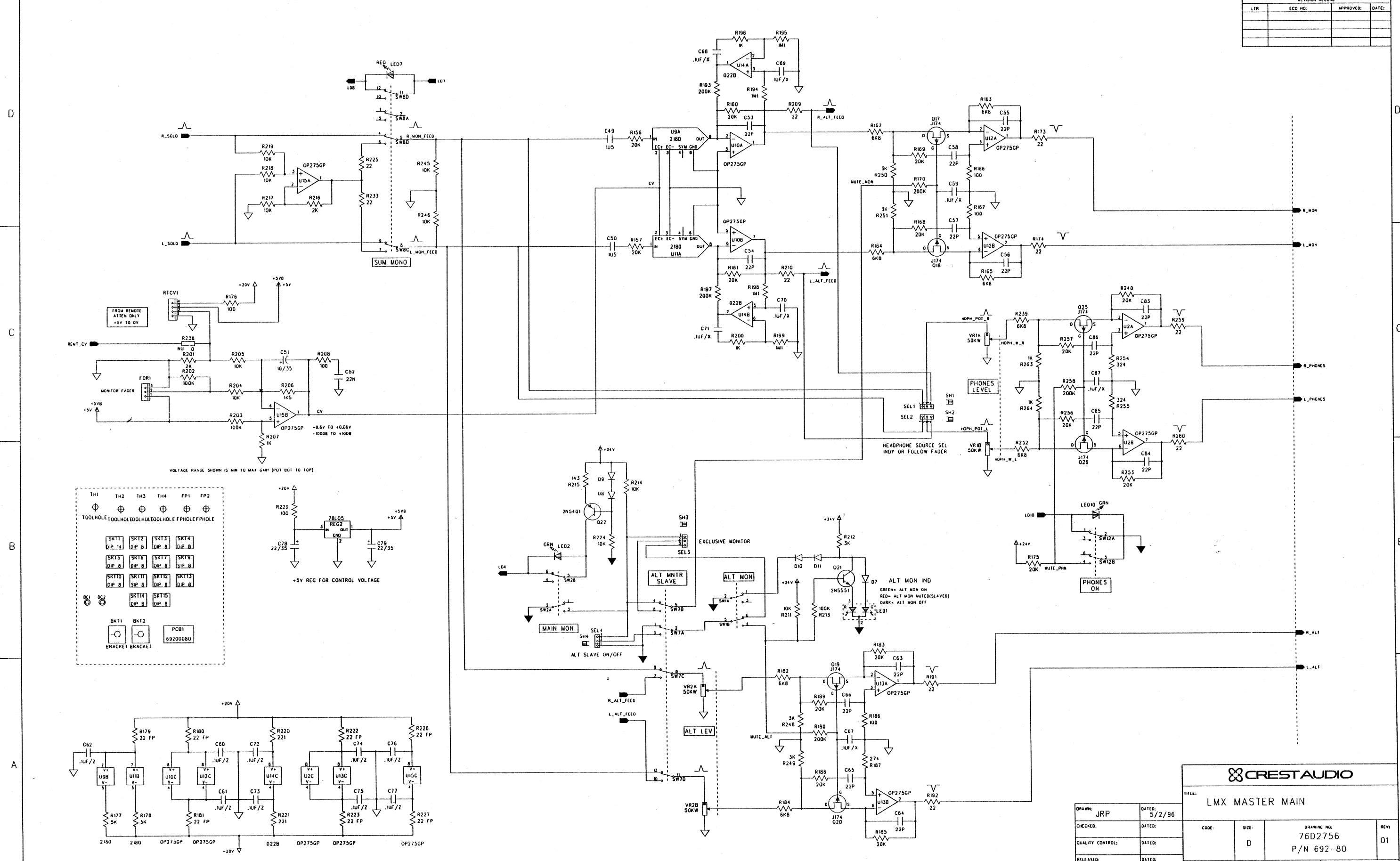
4

3

2

1

REVISION RECORD			
LTR	ECO NO.	APPROVED:	DATE:



CREST AUDIO

FILE: LMx MASTER MAIN

DRAWN: JRP	DATE: 5/2/96	CODE:	SIZE: D	DRAWING NO: 76D2756	REV: 01
CHECKED:	DATE:			P/N 692-80	
QUALITY CONTROL:	DATE:				
RELEASED:	DATE:				

SCALE: SHEET: 2 OF 2

Schematic #21

6

5

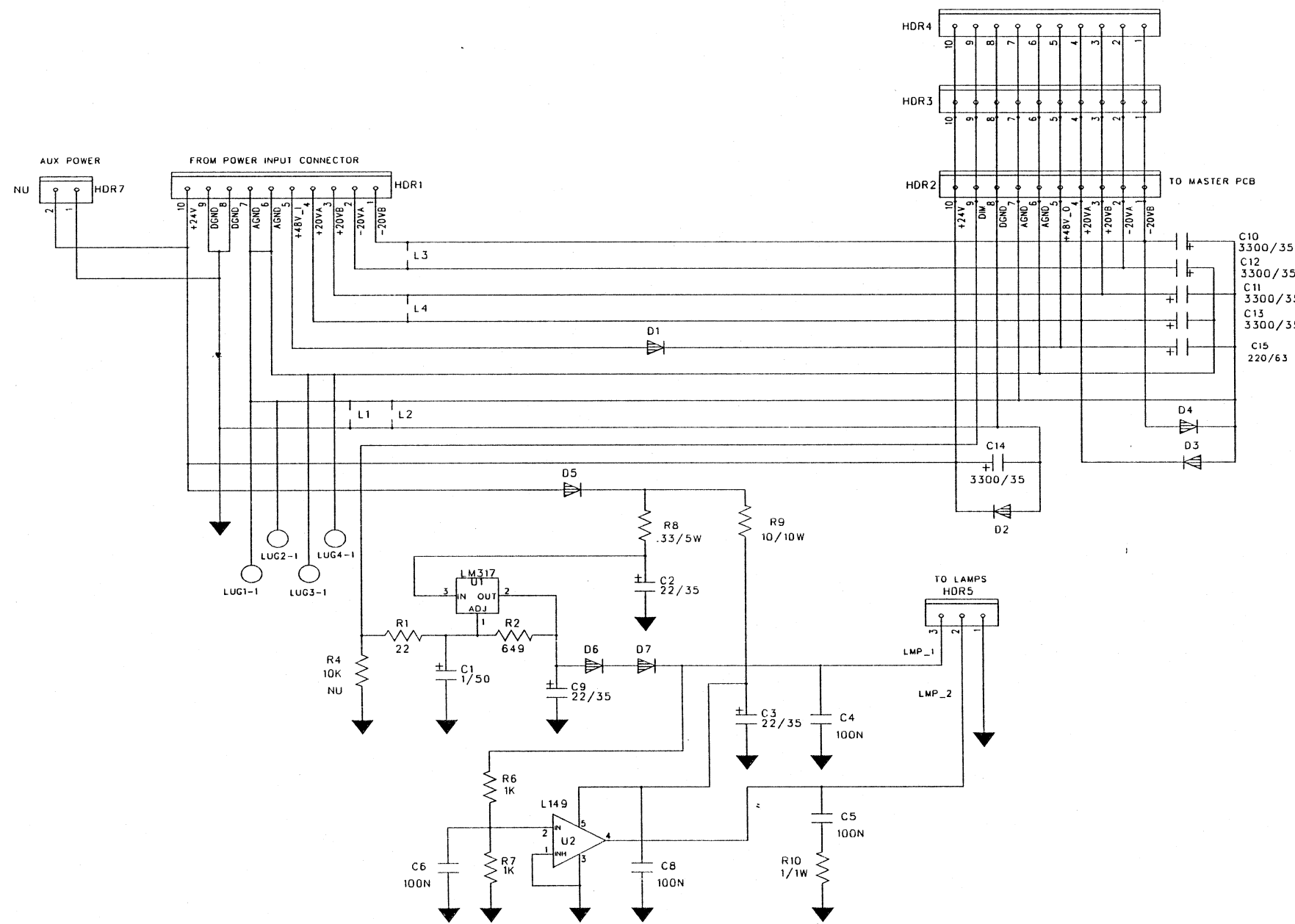
4

3

2

1

REVISION RECORD			
LTR	ECO NO:	APPROVED:	DATE:



- C10 3300/35
- C12 3300/35
- C11 3300/35
- C13 3300/35
- C15 220/63

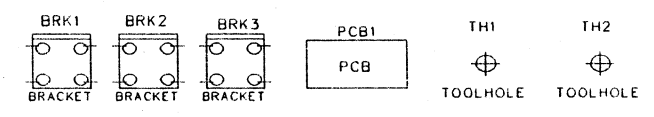
COMPANY: **CREST AUDIO**

TITLE: **POWER/DIMMER PCB - CENTURY CONSOLE**

CODE:	SIZE:	DRAWING NO:	REV:

SCALE: SHEET: OF

DRAWN:	DATED:
CHECKED:	DATED:
QUALITY CONTROL:	DATED:
RELEASED:	DATED:



6

5

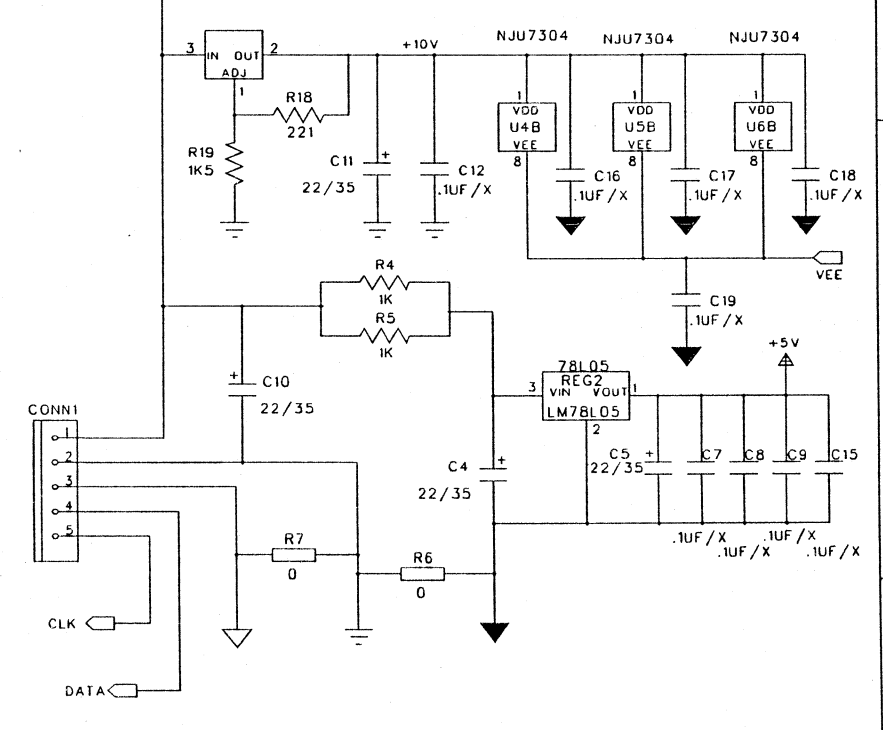
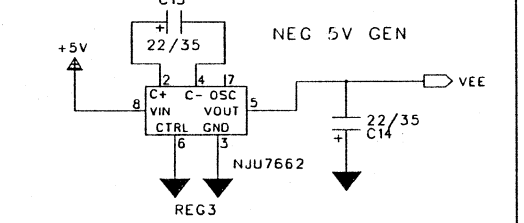
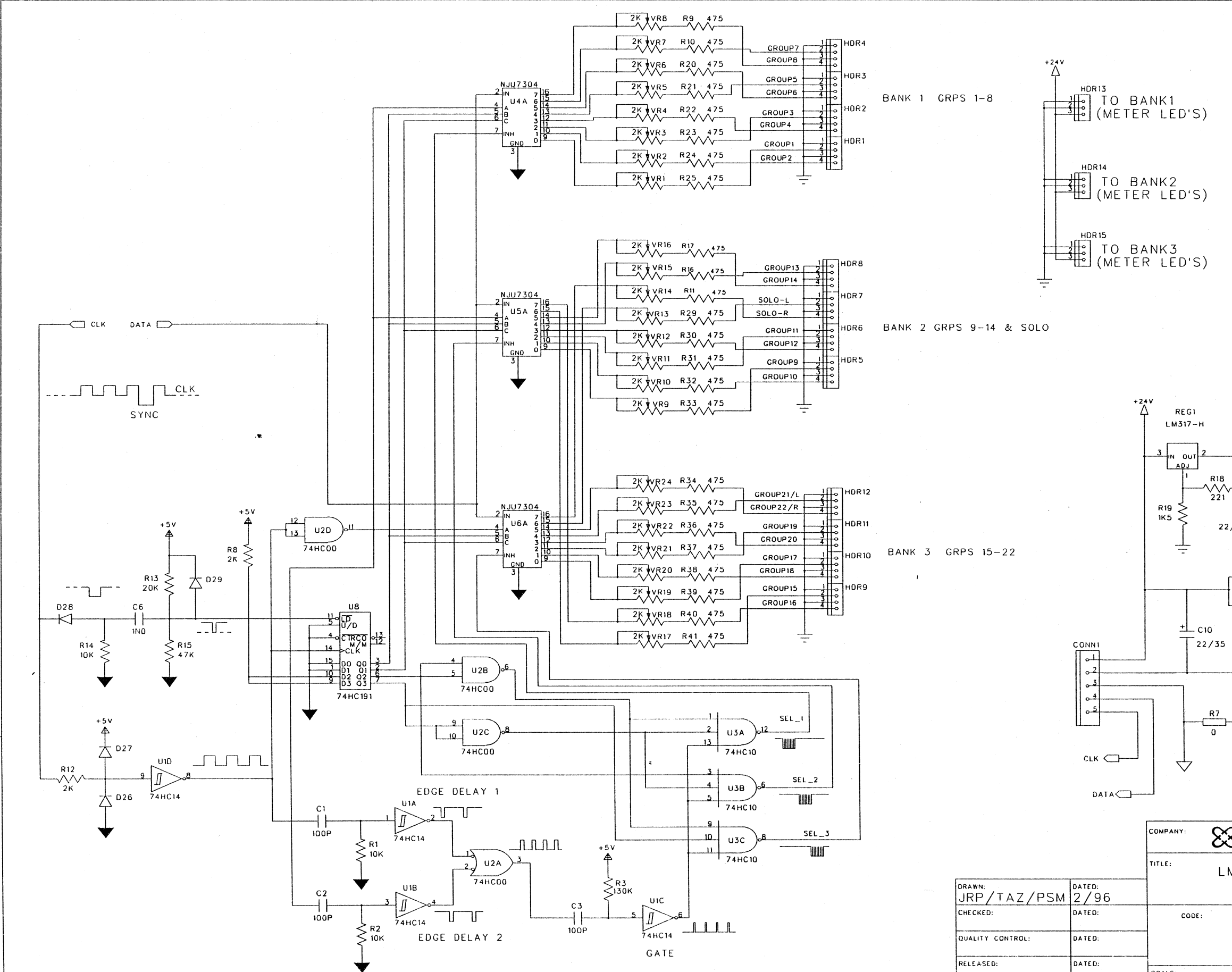
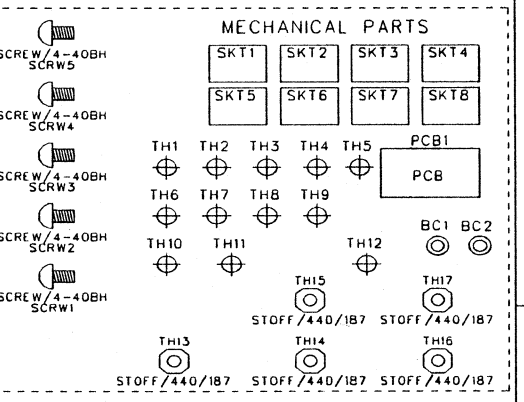
4

3

2

1

REVISION RECORD			
LTR	ECO NO:	APPROVED:	DATE:



COMPANY: **CRESTAUDIO**

TITLE: **LMX METER DEMUX**

DRAWN: JRP/TAZ/PSM	DATED: 2/96
CHECKED:	DATED:
QUALITY CONTROL:	DATED:
RELEASED:	DATED:

CODE:	SIZE:	DRAWING NO:	REV:
		76D2758-01	01
SCALE:	SHEET: 10F 1		

6

5

4

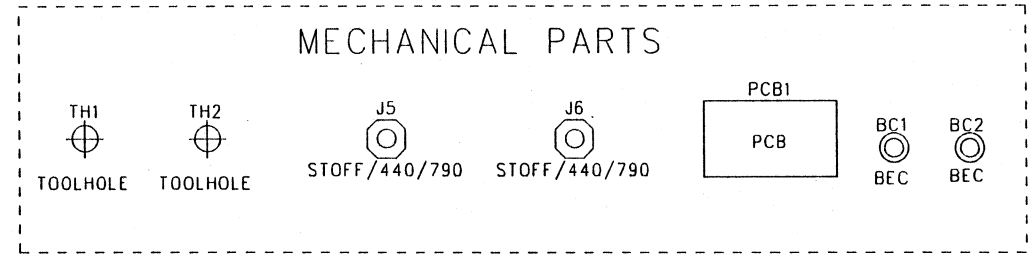
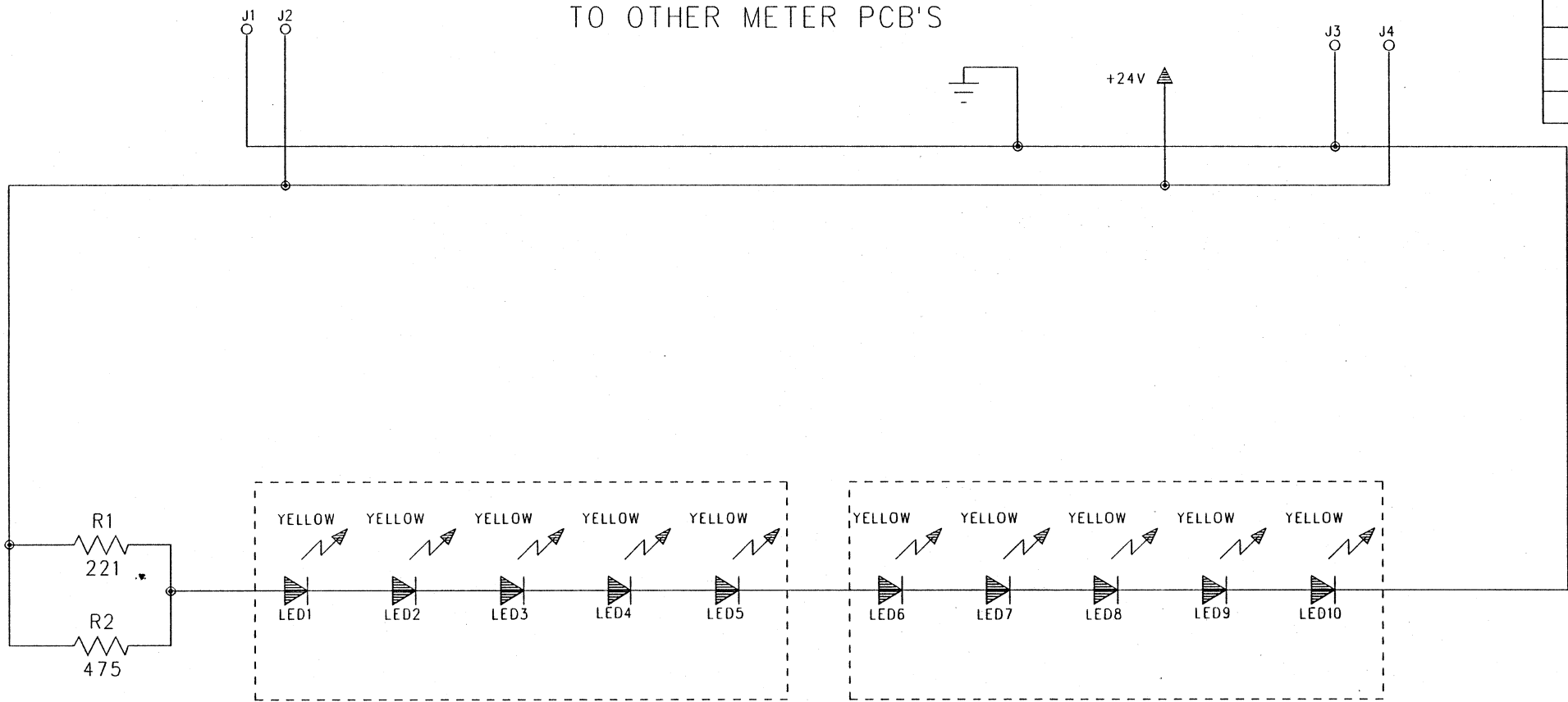
3

2

1

OPTION FOR CHAINING UP POWER SUPPLY TO OTHER METER PCB'S

REVISION RECORD			
LTR	ECO NO:	APPROVED:	DATE:



DRAWN: PSM	DATED: 2/96
CHECKED:	DATED:
QUALITY CONTROL:	DATED:
RELEASED:	DATED:

COMPANY:			
TITLE: LMX 2 WAY GROUP METER LED PCB			
CODE:	SIZE:	DRAWING NO: 76D2817-00	REV: 0
SCALE:			SHEET: 1 OF 1

6

5

4

3

2

1

OPTION FOR CHAINING UP POWER SUPPLY
TO OTHER METER PCB'S

REVISION RECORD			
LTR	ECO NO:	APPROVED:	DATE:

D

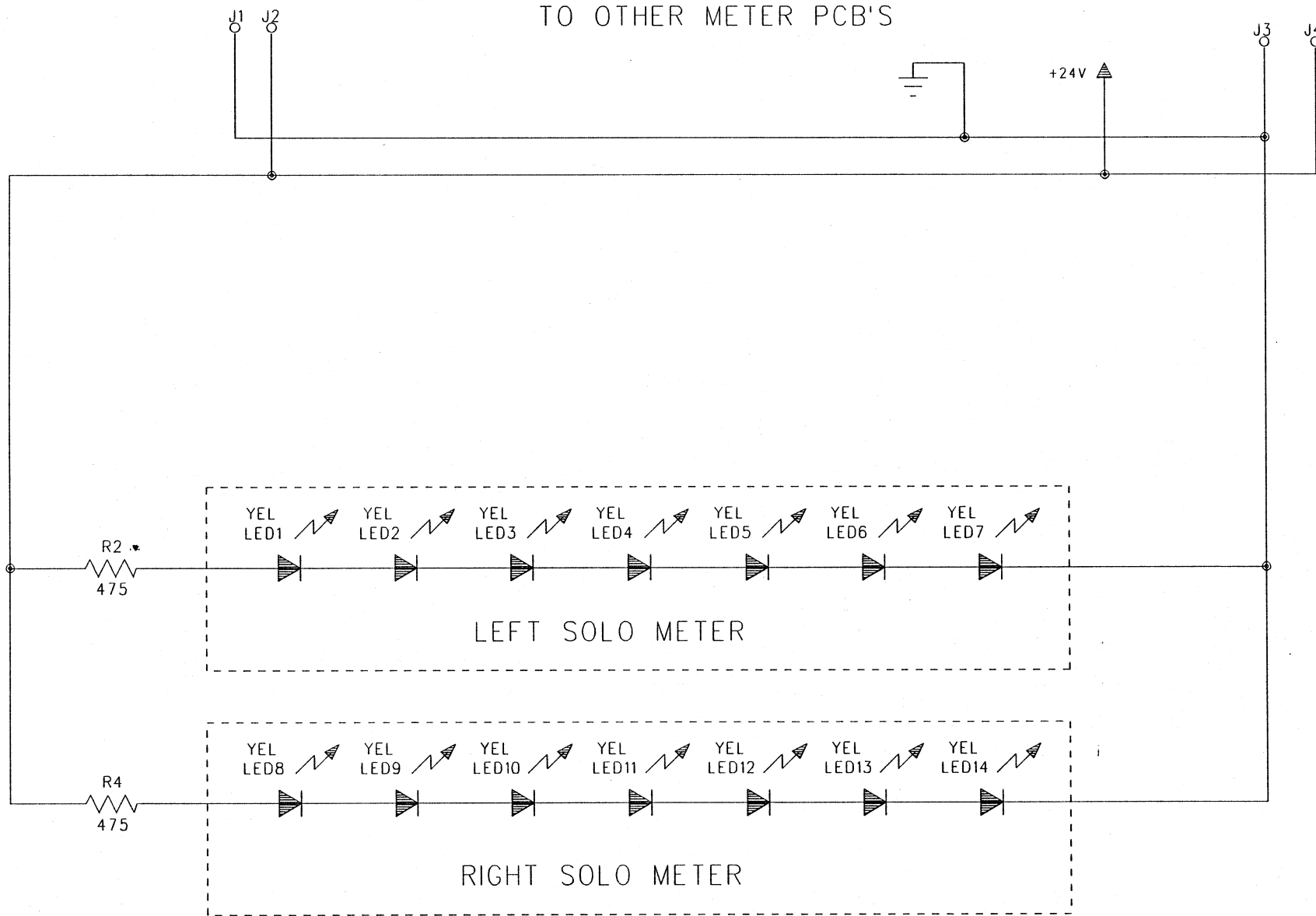
D

C

C

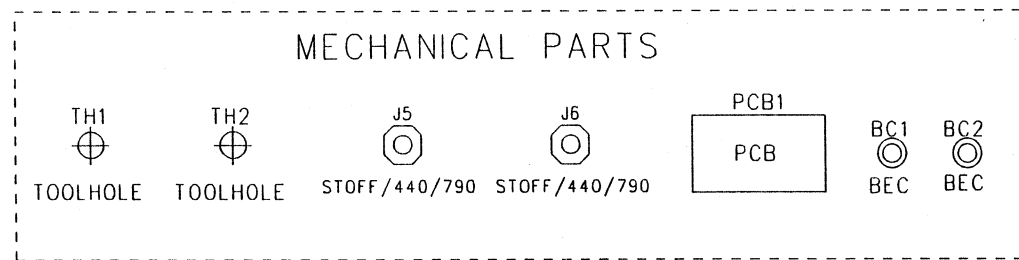
B

B



A

A



DRAWN: PSM	DATED: 2/96
CHECKED:	DATED:
QUALITY CONTROL:	DATED:
RELEASED:	DATED:

COMPANY: CREST AUDIO			
TITLE: LMX 2 WAY SOLO METER LED PCB			
CODE:	SIZE:	DRAWING NO: 76D2818-00	REV: 0
SCALE:			SHEET: 1 OF 1

6

5

4

3

2

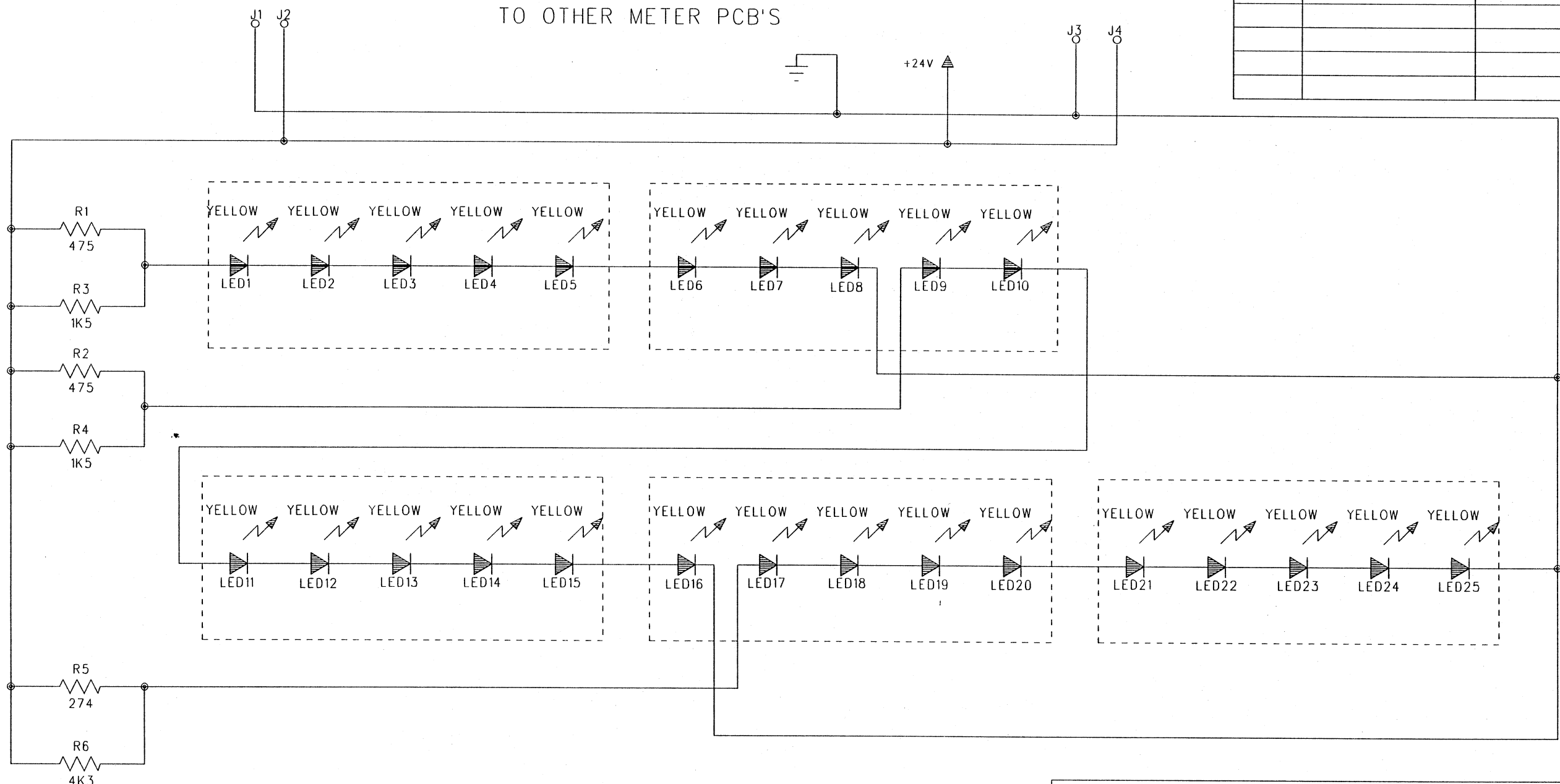
1

OPTION FOR CHAINING UP POWER SUPPLY
TO OTHER METER PCB'S

REVISION RECORD			
LTR	ECO NO:	APPROVED:	DATE:

D

D



C

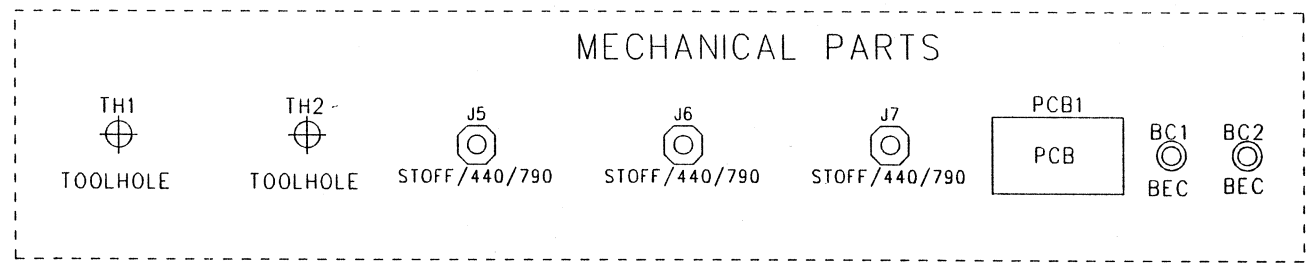
C

B

B

A

A



DRAWN: PSM	DATED: 2/96
CHECKED:	DATED:
QUALITY CONTROL:	DATED:
RELEASED:	DATED:

COMPANY: CREST AUDIO			
TITLE: LMX 5 WAY GROUP METER LED PCB			
CODE:	SIZE:	DRAWING NO: 76D2816-00	REV: 0
SCALE:		SHEET: 1 OF 1	

6

5

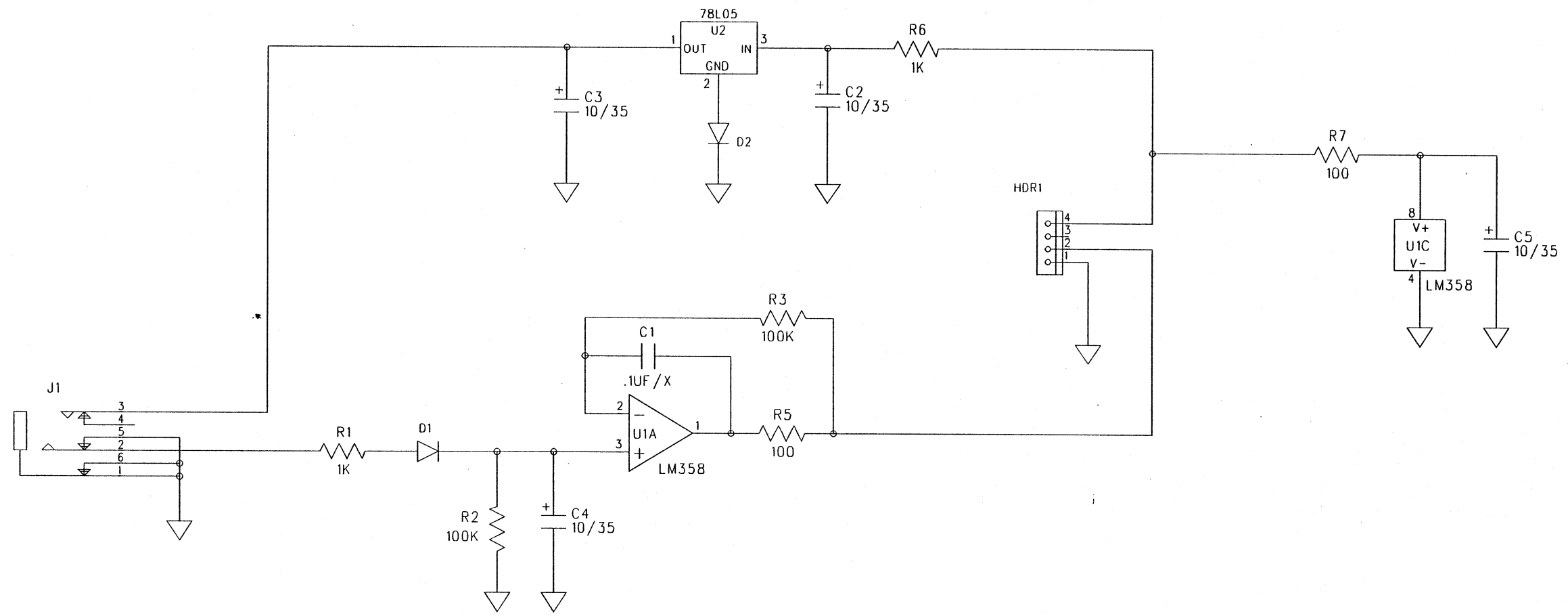
4

3

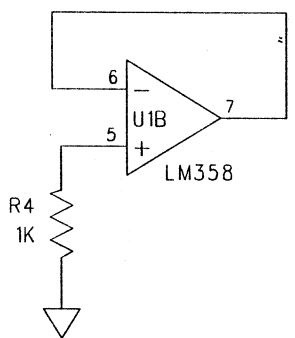
2

1

REVISION RECORD			
LTR	ECO NO:	APPROVED:	DATE:



PCB1
PCB
69200098



COMPANY: **CRESTAUDIO**

TITLE: **LMx REMOTE VOLUME CONTROL**

DRAWN: JRP	DATED: 5/8/96	CODE:	SIZE: B	DRAWING NO: 76B2942	REV: 00
CHECKED:	DATED:	SCALE:		SHEET: OF	
QUALITY CONTROL:	DATED:				
RELEASED:	DATED:				