

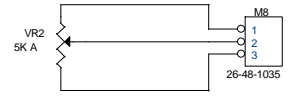
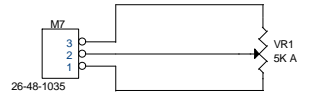
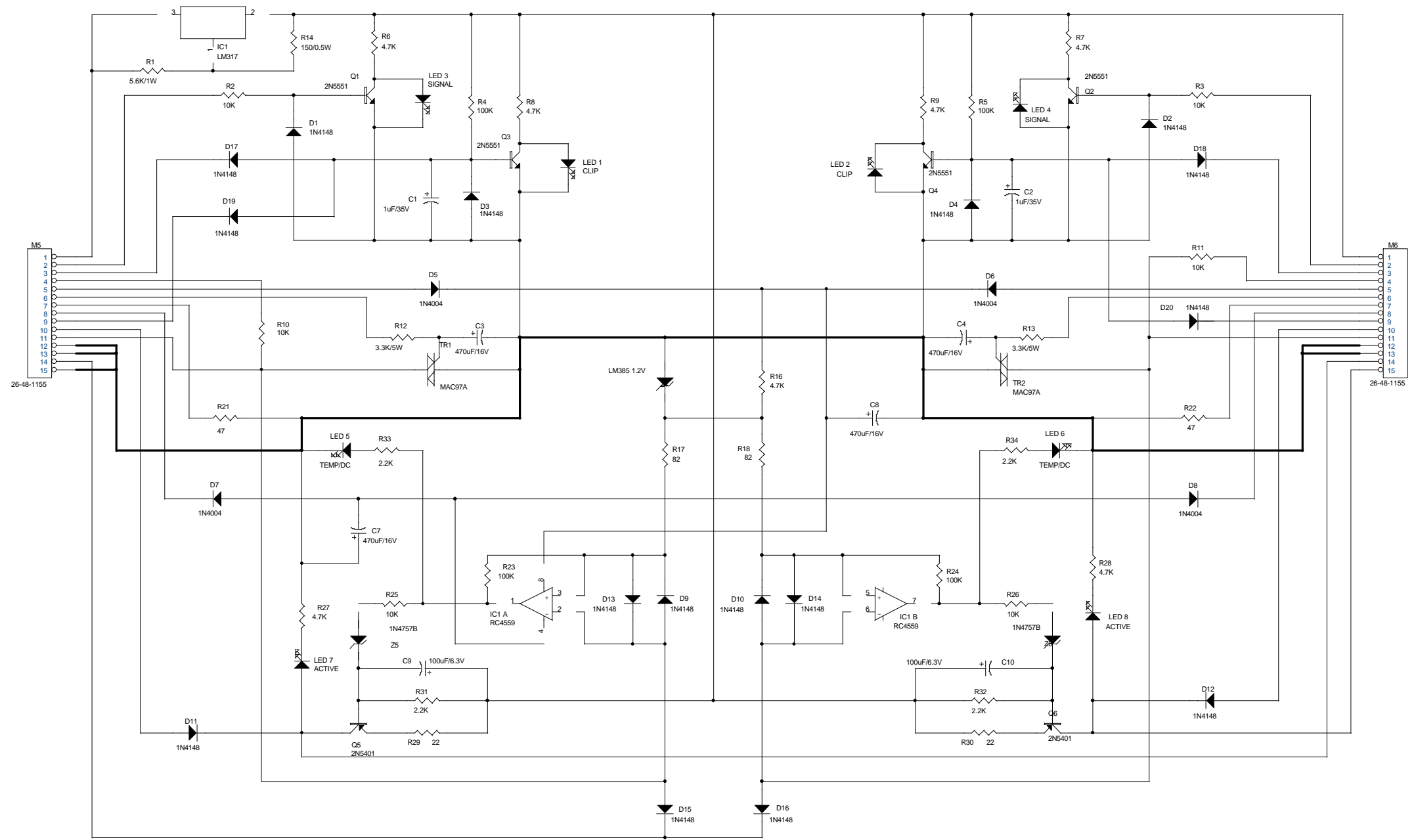


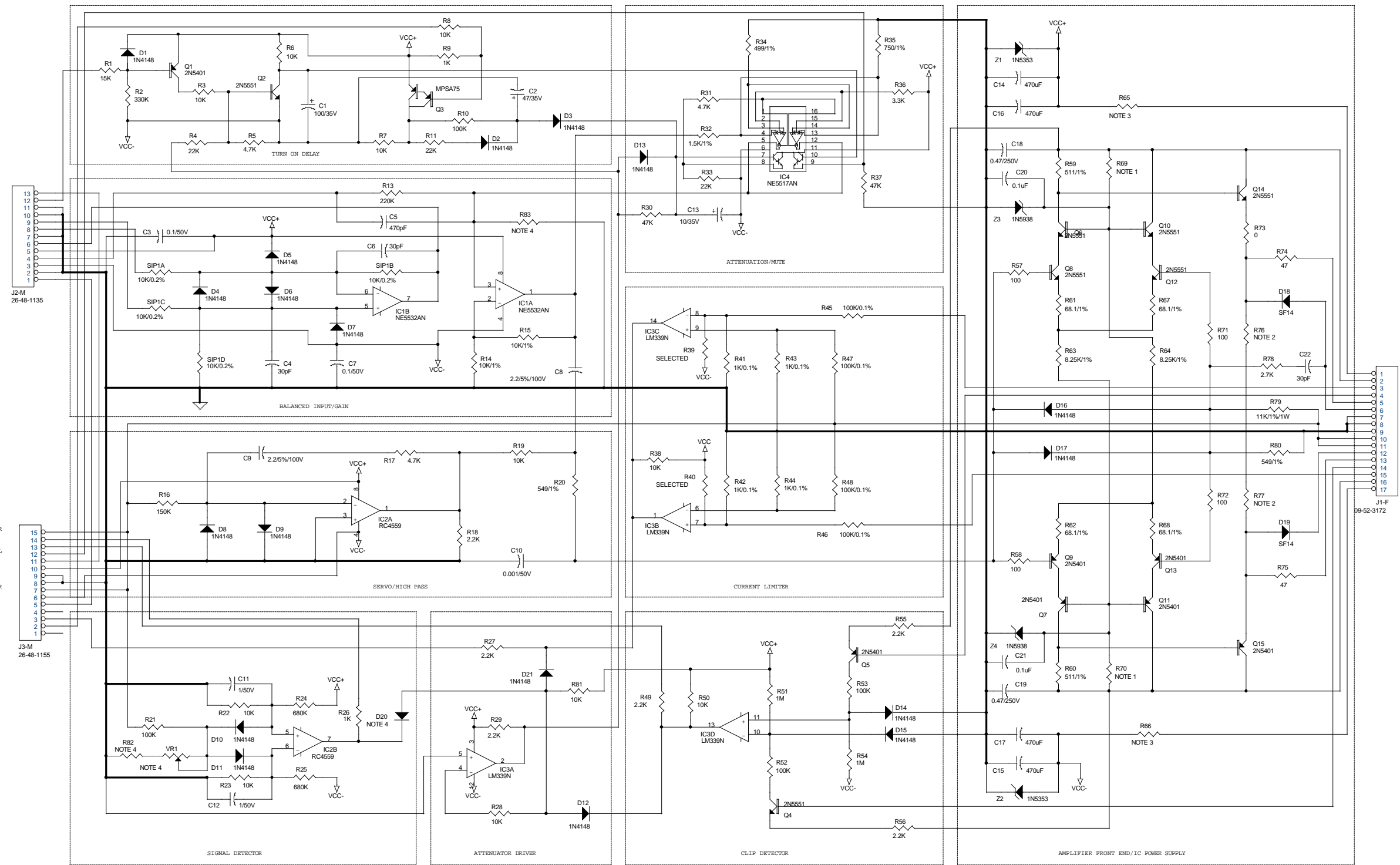
Schematic set

---

## Pro Series 8001 power amplifiers

1. 8001 Display
2. 8001 Preamp
3. 8001 Relay board
4. 8001 Power supply
5. 8001 Output module





NOTE 1: 8.2K 2W ON MODELS 8001, 7001, CV601  
 6.8K 2W ON MODELS 6001, 4801  
 4.3K 2W ON MODEL 4601  
 5.6K 2W ON MODELS CC301/300  
 3.3K 2W ON MODELS CV301, CC151, 3301  
 NOTE 2: 27K 2W ON MODELS 8001, 7001, CV601  
 20K 2W ON MODELS 6001, 4801, CC301  
 16K 2W ON MODEL 4601  
 15K 2W ON MODELS CV301, CC151, 3301

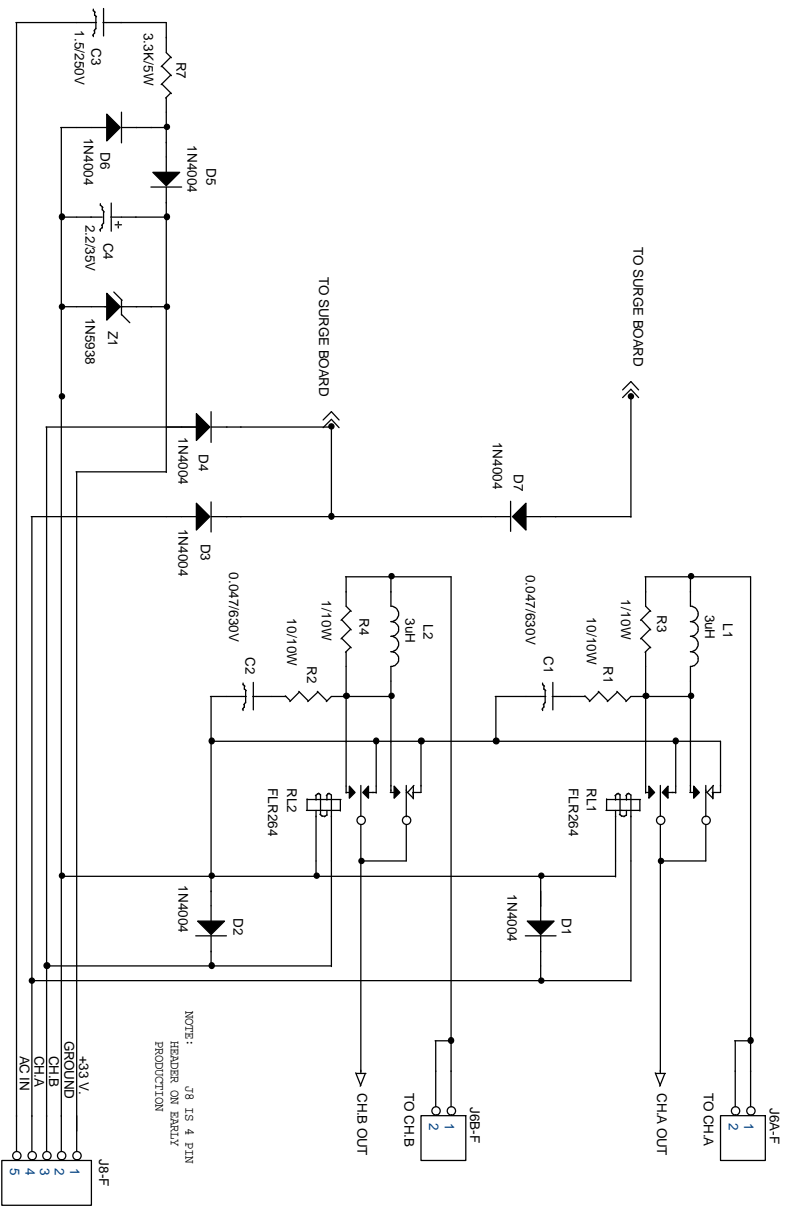
NOTE 3: 750 10W ON MODELS 8001, CV601  
 680 10W ON MODEL 7001  
 620 10W ON MODEL 6001  
 560 10W ON MODELS 4801, MA5850  
 1.1K 10W ON MODEL 4601  
 560 10W ON MODELS CC301  
 1K 10W ON MODELS CV301, 3301  
 360 10W ON MODEL CC151

NOTE 4: R82, R83, D20, VR1 ARE USED ON MODEL MA5850 ONLY  
 NOTE 5: PRIOR TO 6-2-92 R65, R66 WERE 1K/10W ON MODEL CC151

1.1K 10W ON MODEL 4601  
 560 10W ON MODELS CC301  
 1K 10W ON MODELS CV301, CC151, 3301  
 NOTE 4: R82, R83, D20, VR1 ARE USED ON MODEL MA5850 ONLY

REV NOTES 7/15/93  
 (1) DELETE R12

CREST AUDIO INC.		
150 Florence Ave. Hawthorne, NJ 07506		
Title		PRO-LINE PREAMP/FRONT END
Size	Document Number	Rev
C	21C1124-02	02
Date:	Wednesday, May 17, 2000	Sheet 1 of 0



CREST AUDIO INC.

1150 Florence Ave.  
Hawthorne, NJ 07906

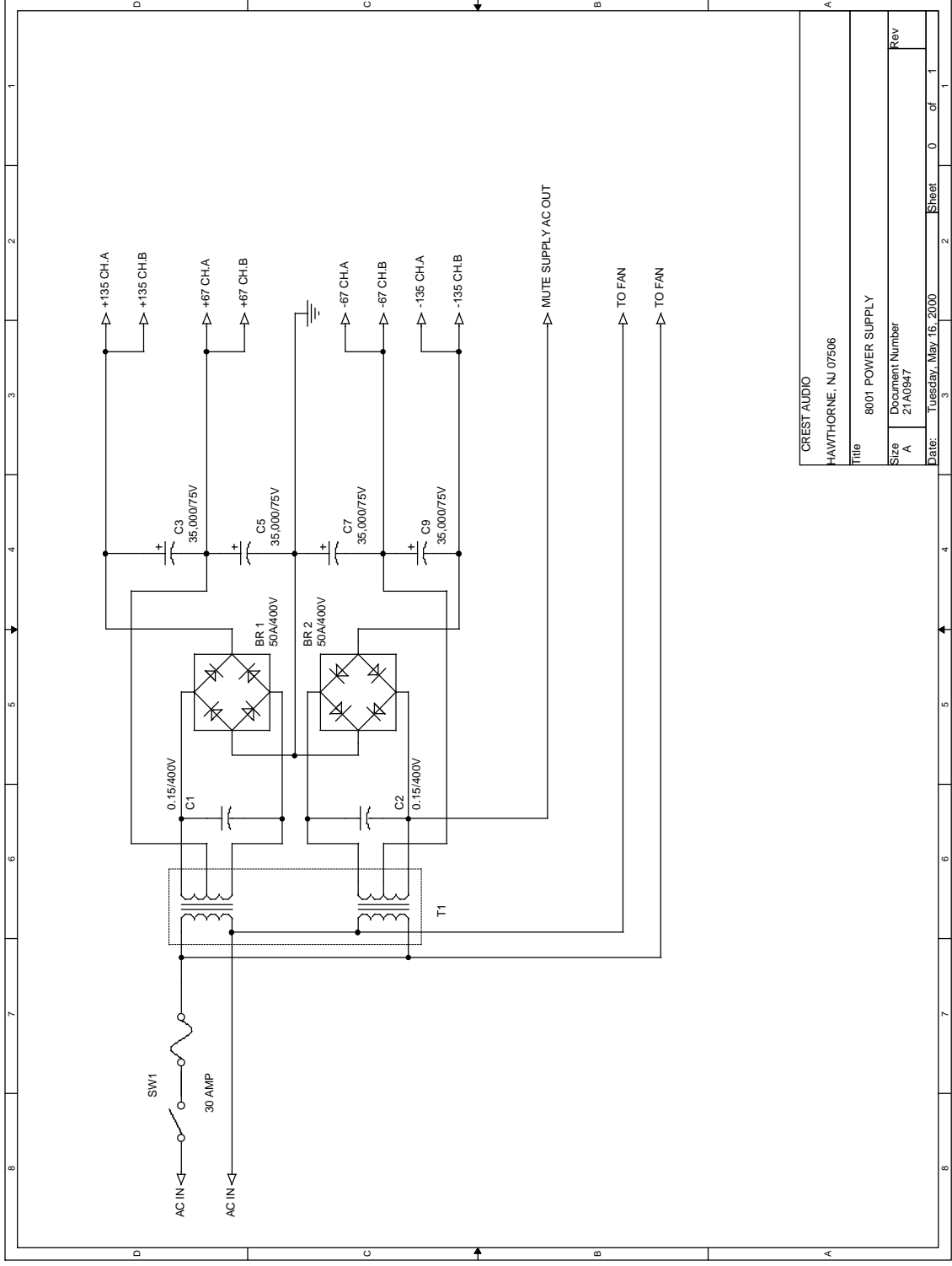
Title 8001 RELAY PCB

Size A Document Number 21A0095-00

Date: Tuesday, May 16, 2000

Sheet 1 of 1

Rev 00



CREST AUDIO	
HAWTHORNE, NJ 07506	
Title 8001 POWER SUPPLY	
Size A	Document Number 21A0347
Date: Tuesday, May 16, 2000	Sheet 0 of 1

6

5

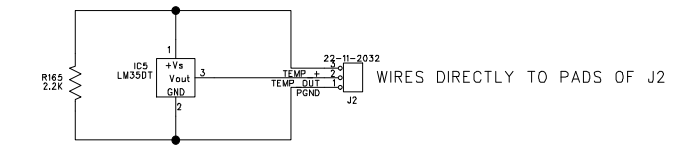
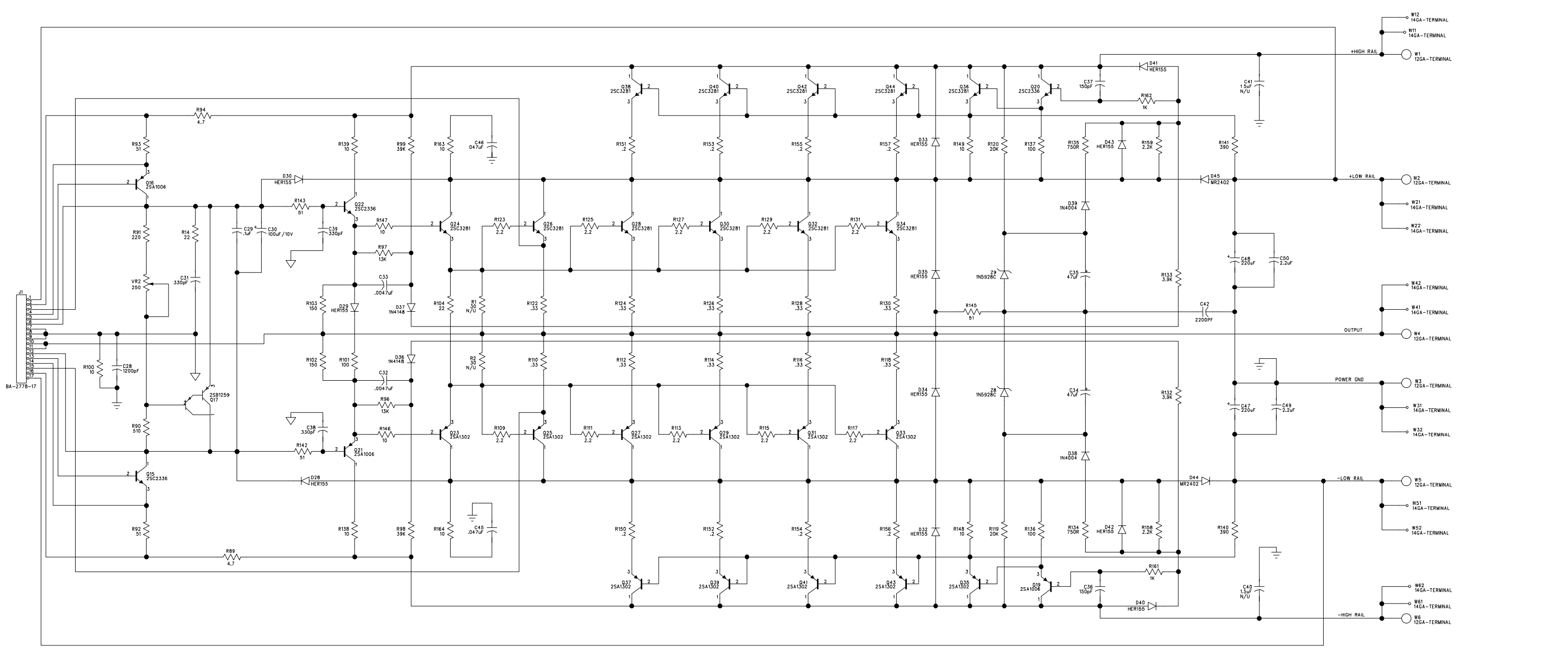
4

3

2

1

REVISION RECORD			
LTR	ECO NO:	APPROVED:	DATE:



<b>CRESTAUDIO</b>			
TITLE: <b>8001/CA12/PFA600 OUTPUT MODULE</b>			
DRAWN: J.A.B.	DATED: 8/15/94	CODE:	REV: 4
CHECKED:	DATED:	SIZE: D	DRAWING NO: 4629-00
QUALITY CONTROL:	DATED:	SCALE:	SHEET: 1 OF 2
RELEASED:	DATED:		1