



## Pro Series 8002 power amplifiers

1. Display
2. Display interface with PFC storage
3. Input board
4. Preamp page 1
5. Preamp page 2
6. PFC power board
7. PFC control circuit
8. Resonant converter control circuit
9. Suppression filter
10. Output module

6

5

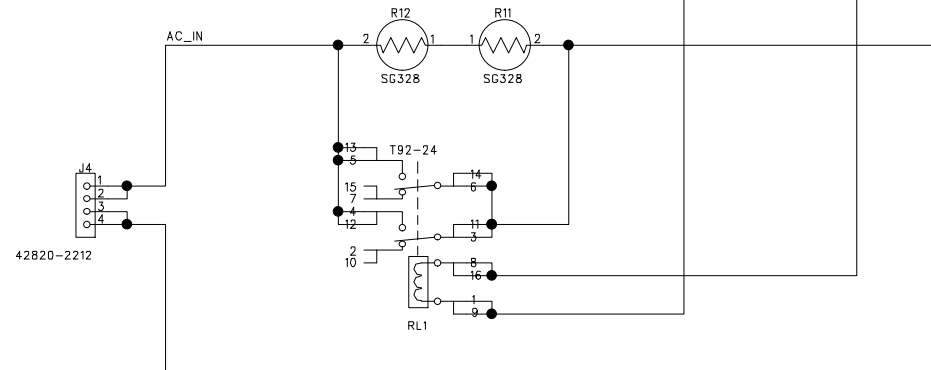
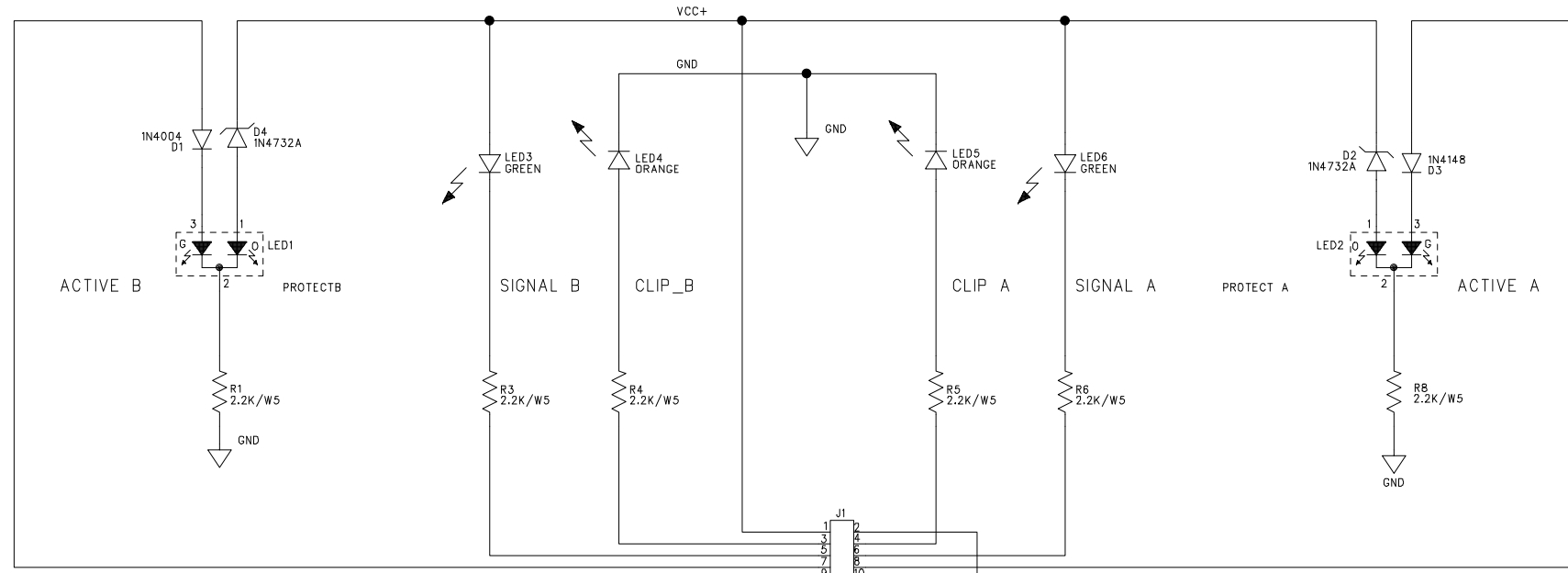
4

3

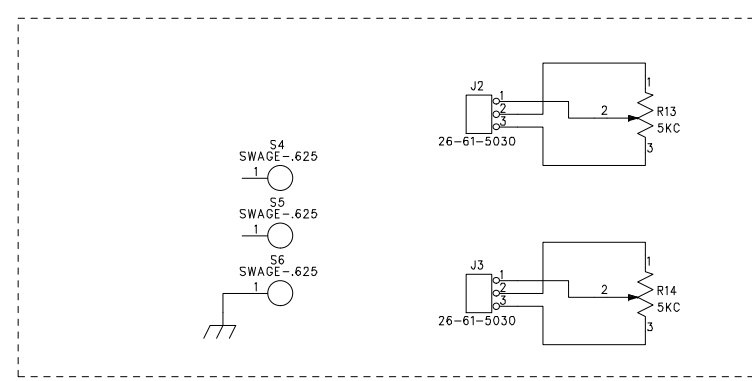
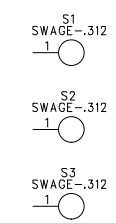
2

1

REVISION RECORD			
LTR	ECO NO:	APPROVED:	DATE:



PCB1  
69000393  
26C3408 E



THIS SCHEMATIC AGREES WITH PC BOARD 26C 3408-00  
DO NOT MAKE CHANGES WITHOUT A ECO.

**CREST AUDIO**

TITLE: DISPLAY BOARD 8002

DRAWN: BE	DATED: 6/97	CODE:	SIZE: C	DRAWING NO: 21C 3408-00	REV: 00
CHECKED:	DATED:	SCALE:		SHEET: 1 OF 1	

D

D

C

C

B

B

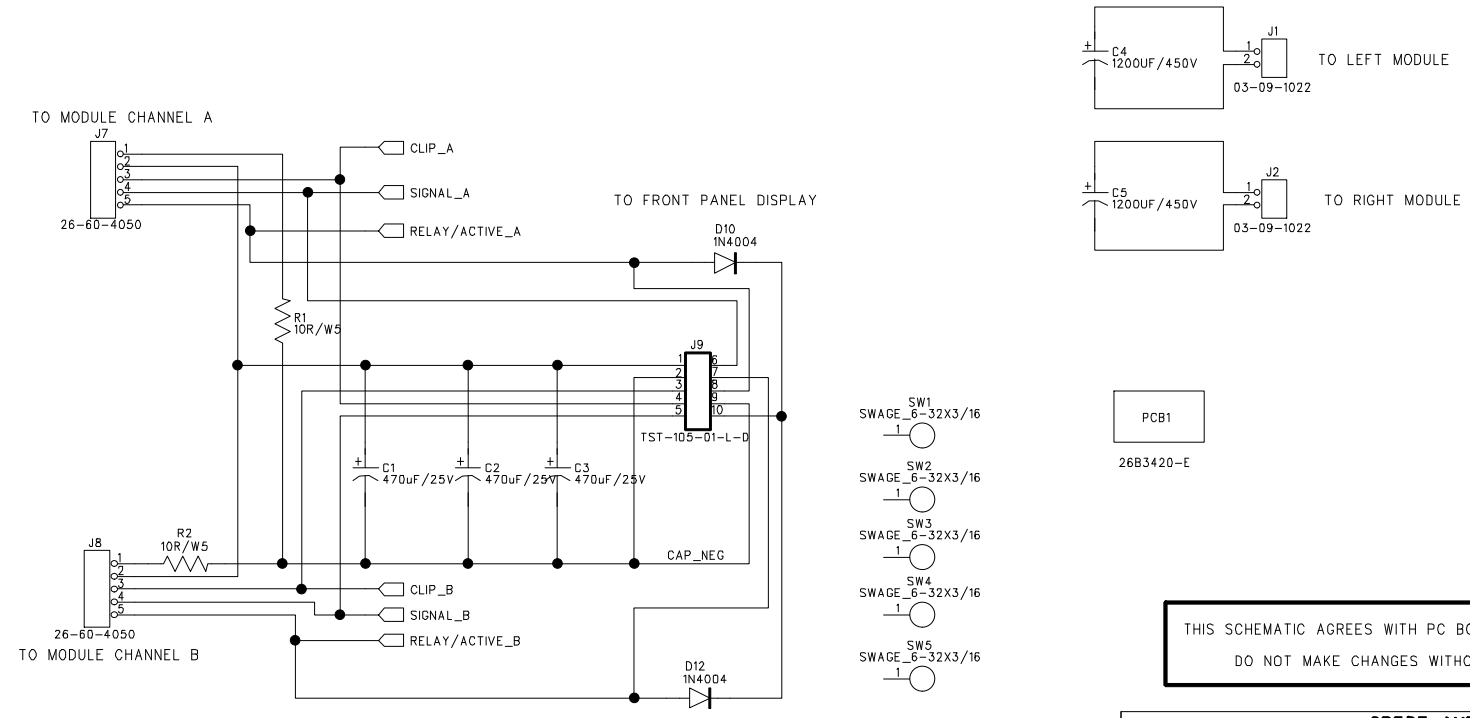
A

A

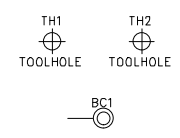
6 5 4 3 2 1

D  
C  
B  
A

REVISION RECORD			
LTR	ECO NO:	APPROVED:	DATE:



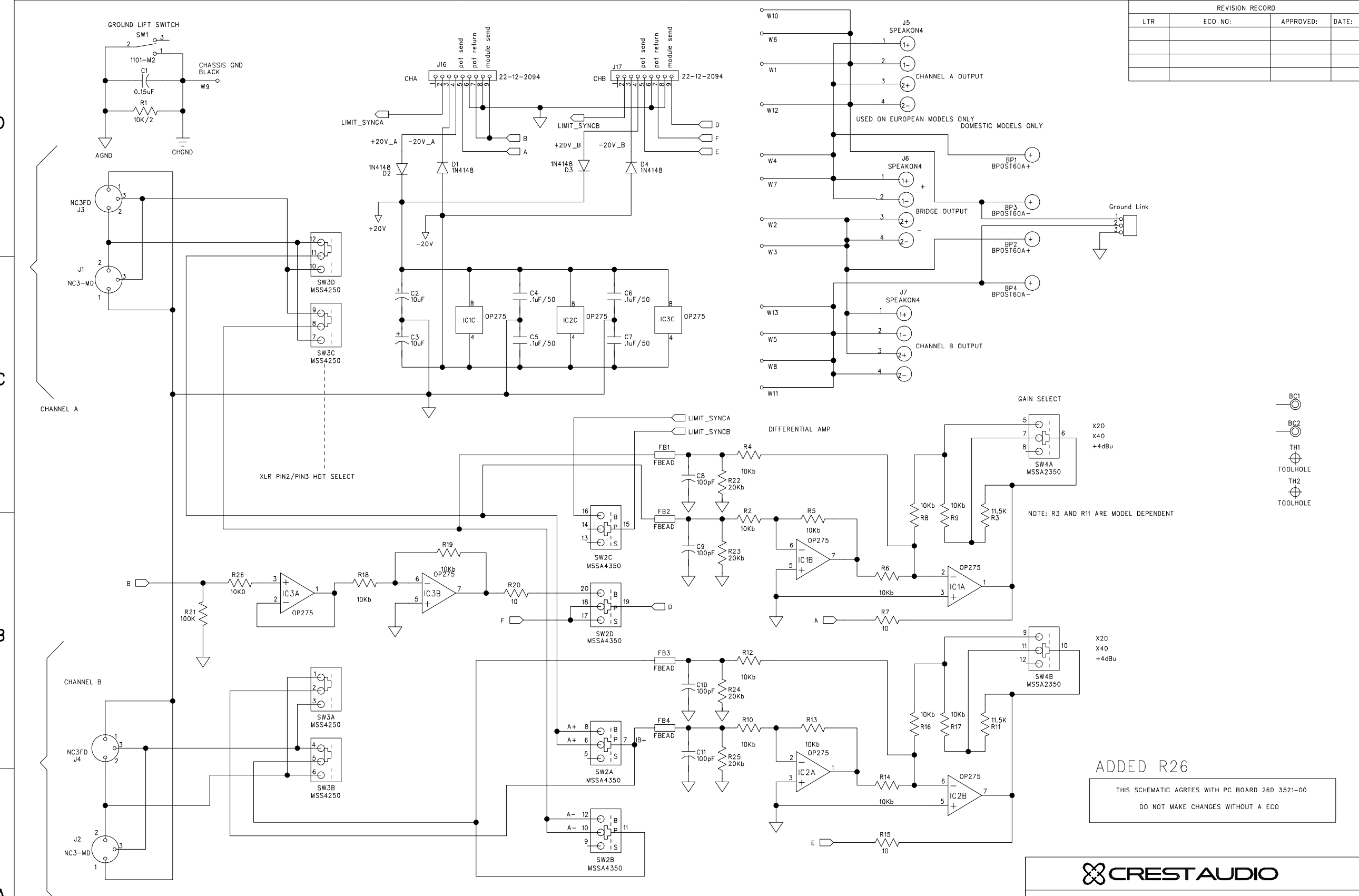
THIS SCHEMATIC AGREES WITH PC BOARD 26B 3420-00  
DO NOT MAKE CHANGES WITHOUT A ECO.



DRAWN: I. FERSTENBERG	DATED: 4/30/98
CHECKED:	DATED:
QUALITY CONTROL:	DATED:
RELEASED:	DATED:

COMPANY: <b>CREST AUDIO</b> 100 EISENHOWER DRIVE PARAMUS, N.J. 07652			
TITLE: 8002 DISPLAY INTERFACE BOARD WITH PFC STORAGE			
CODE:	SIZE: B	DRAWING NO: 21B 3420-00	REV: 00
SCALE:		SHEET: 1 OF 1	

REVISION RECORD			
LTR	ECO NO:	APPROVED:	DATE:



D  
C  
B  
A

D  
C  
B  
A

XLR PIN2/PIN3 HOT SELECT

GAIN SELECT

DIFFERENTIAL AMP

ADDED R26  
THIS SCHEMATIC AGREES WITH PC BOARD 26D 3521-00  
DO NOT MAKE CHANGES WITHOUT A ECO

MODE SWITCH  
B= BRIDGE MODE  
P= PARALLEL MODE  
S= STEREO MODE

DRAWN:	Isaac F.	DATED:	7/10/97
CHECKED:		DATED:	
QUALITY CONTROL:		DATED:	
RELEASED:		DATED:	

**CREST AUDIO**

TITLE: 8002 INPUT PC BOARD

CODE:	SIZE:	DRAWING NO:	REV:
	C	21C 3521-00	00

SCALE: SHEET: 1 OF 2

REVISION RECORD			
LTR	ECO NO:	APPROVED:	DATE:

D

C

B

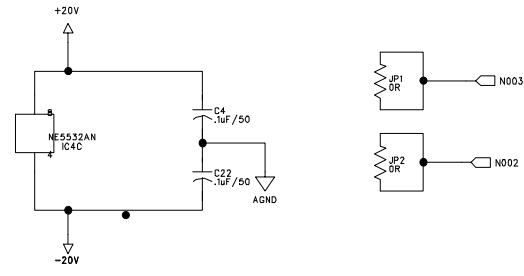
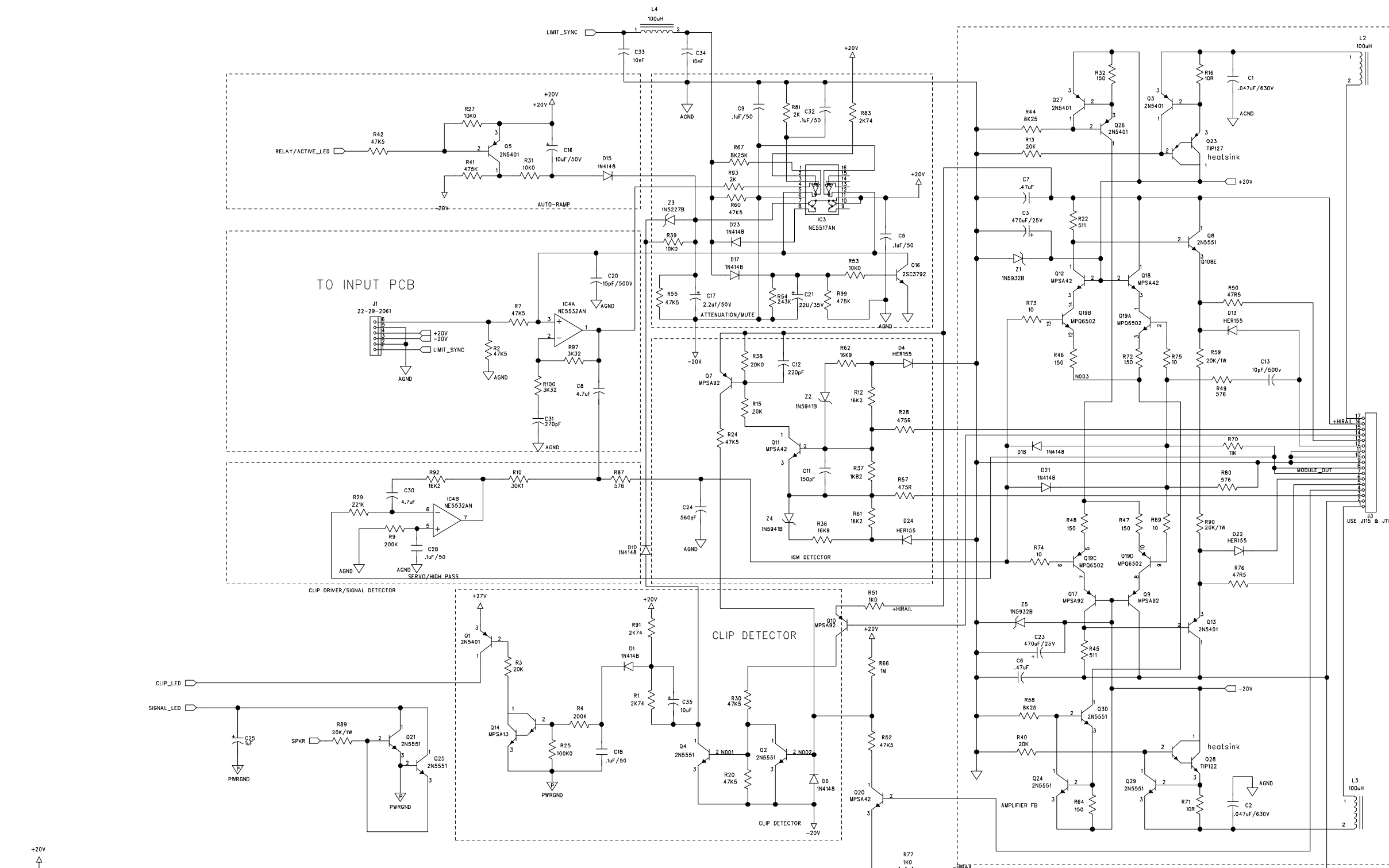
A

D

C

B

A



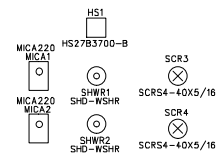
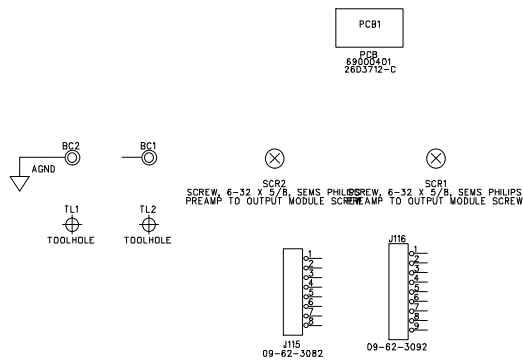
**CREST AUDIO**

TITLE: PRO2 PREAMP  
THIS SCH. REV 00 AGREES WITH PCB REV. C (00)

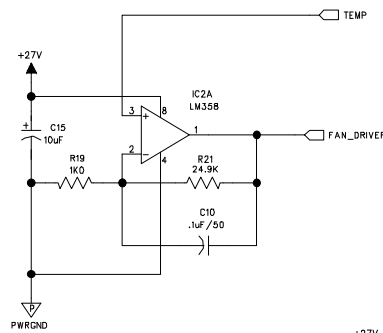
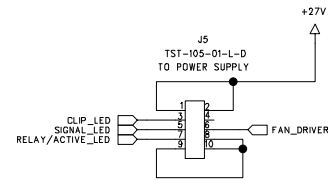
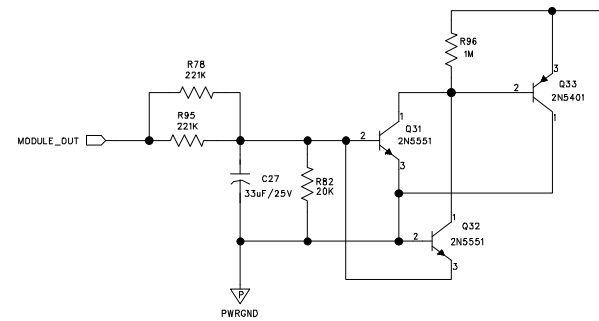
21D3712-00 SCH D

Isaac Ferstenberg 4/15/98 SHEET 1 OF 2

REVISION RECORD			
LTR	ECD NO:	APPROVED:	DATE:



HEATSINKS AND HARDWARE MOUNT TO Q23, Q28

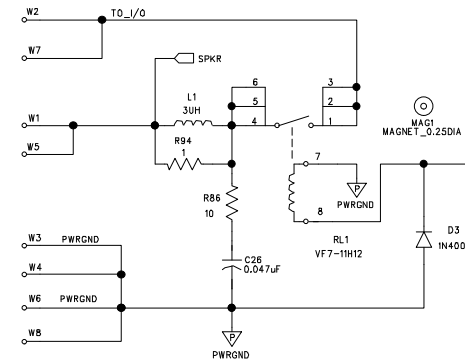


TO IN/OUT PCB

FROM OUTPUT PCB

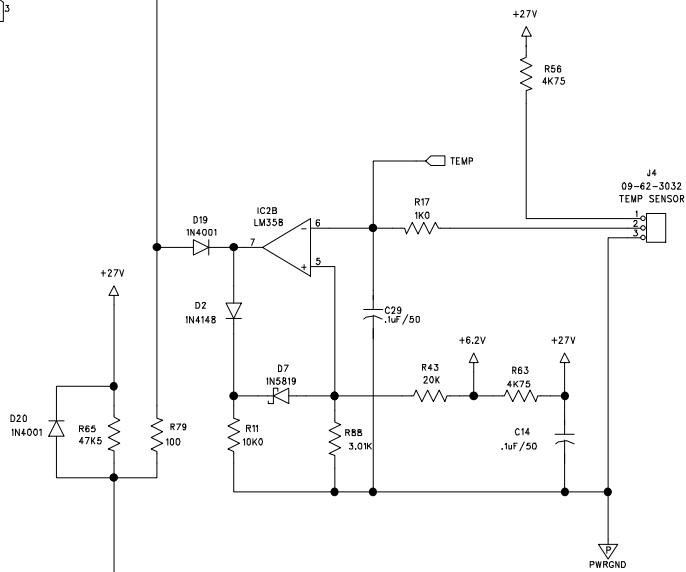
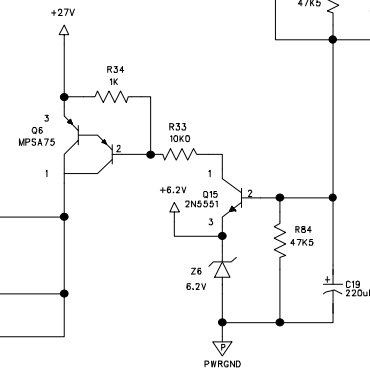
TO IN/OUT PCB

FROM OUTPUT PCB



RELAY/ACTIVE\_LED

RELAY/ACTIVE\_LED



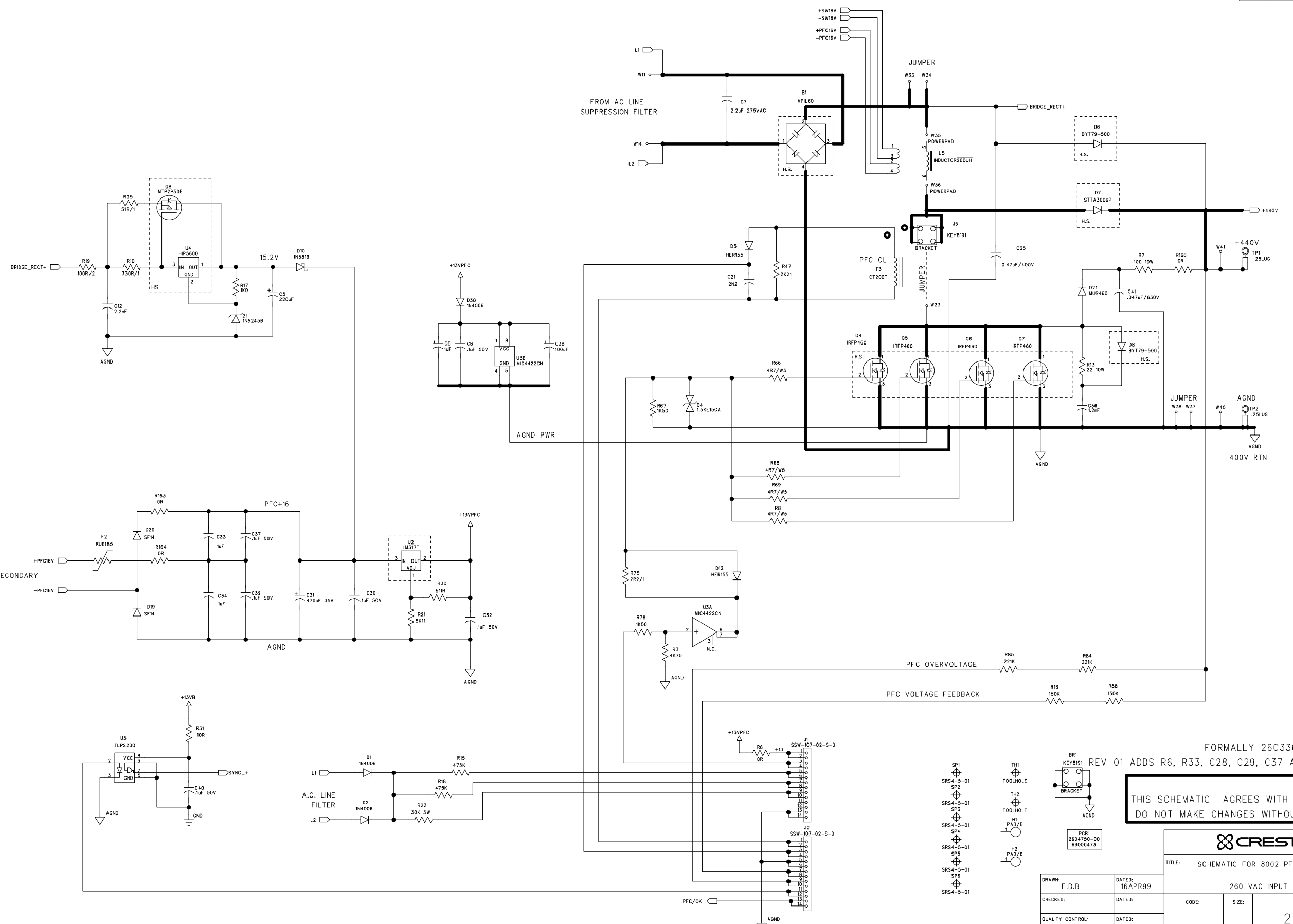
**CREST AUDIO**

TITLE: PRO2 PREAMP

21D3712-00 D

SCALE: SHEET 2 OF 2

REVISION RECORD			
LTR	ECO NO:	APPROVED:	DATE:



FORMALLY 26C3367-01  
 REV 01 ADDS R6, R33, C28, C29, C37 AND C39  
 THIS SCHEMATIC AGREES WITH PC BD 26C4720-00  
 DO NOT MAKE CHANGES WITHOUT A ECO

**CRESTAUDIO**

TITLE: SCHEMATIC FOR 8002 PFC POWER BOARD

260 VAC INPUT

DRAWN: F.D.B	DATED: 16APR99	CODE:	SIZE:	DRAWING NO:	REV:
CHECKED:	DATED:			26C4720	00
QUALITY CONTROL:	DATED:				
RELEASED:	DATED:				

SCALE: SHEET: 1 OF 2

6

5

4

3

2

1

REVISION RECORD			
LTR	ECO NO:	APPROVED:	DATE:

D

D

C

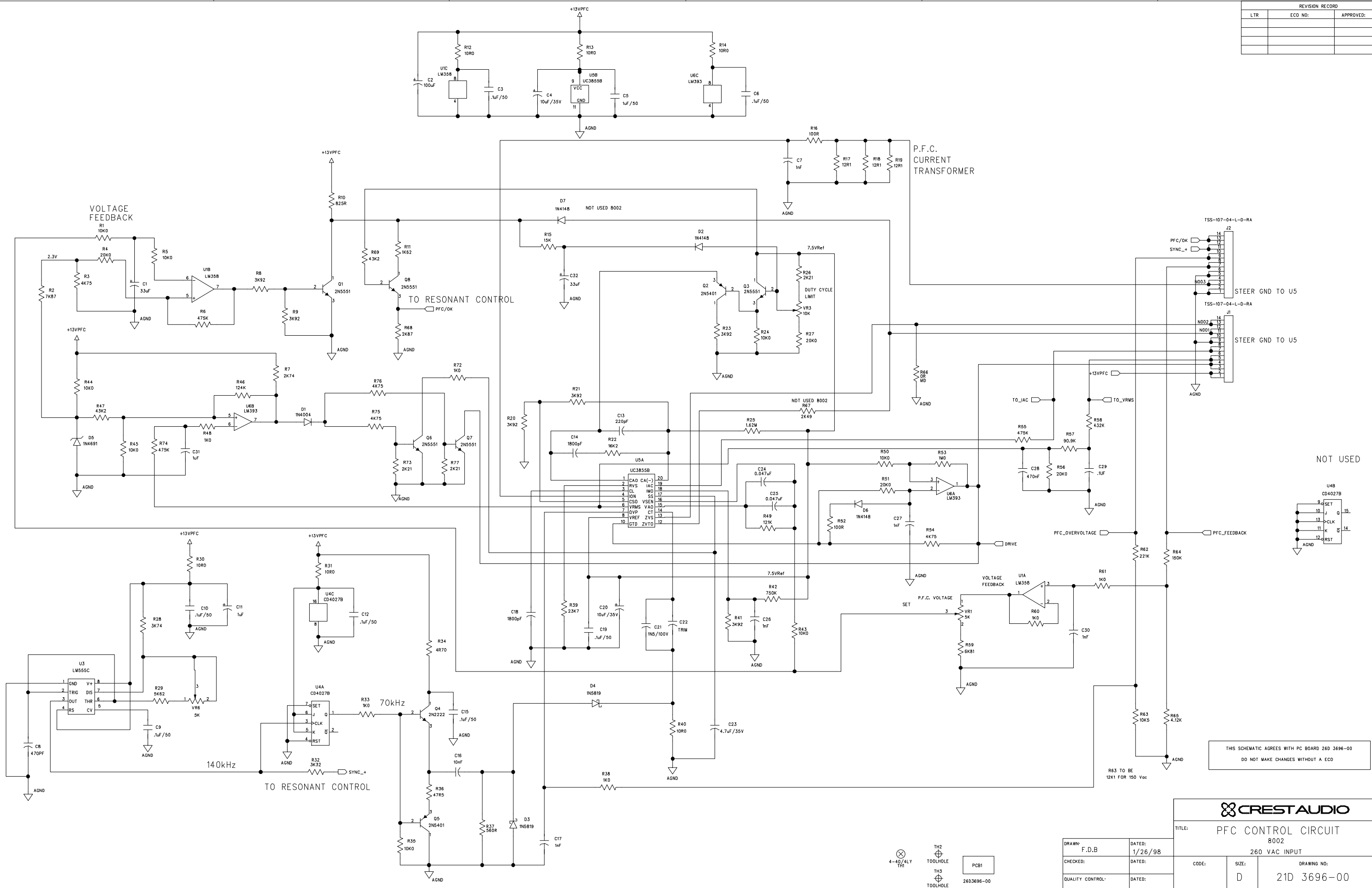
C

B

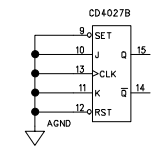
B

A

A



NOT USED

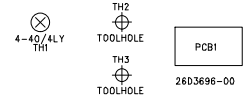


THIS SCHEMATIC AGREES WITH PCB BOARD 260 3696-00  
DO NOT MAKE CHANGES WITHOUT AN ECO

**CREST AUDIO**

TITLE: PFC CONTROL CIRCUIT 8002  
260 VAC INPUT

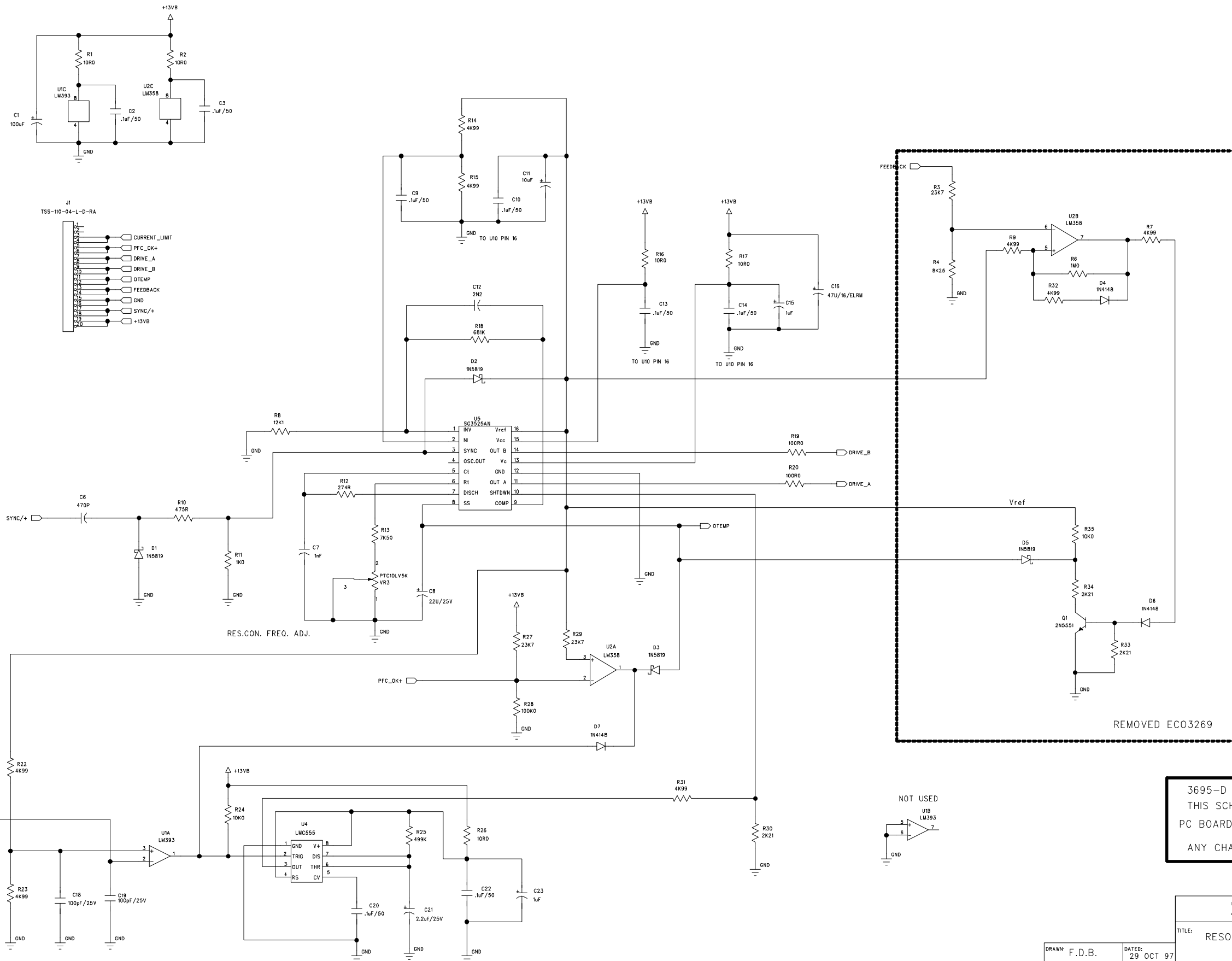
DRAWN: F.D.B	DATED: 1/26/98	CODE:	SIZE: D	DRAWING NO: 21D 3696-00	REV: 00
CHECKED:	DATED:	RELEASED:	DATED:	SCALE:	SHEET: 1 of 1



DRAWN: F.D.B	DATED: 1/26/98
CHECKED:	DATED:
RELEASED:	DATED:

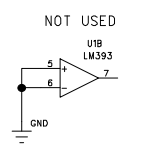


REVISION RECORD			
LTR	ECO NO:	APPROVED:	DATE:

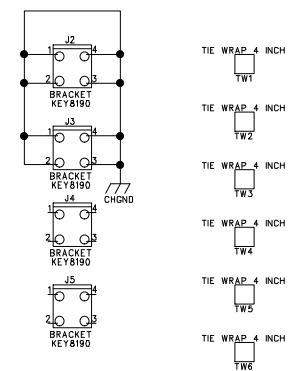
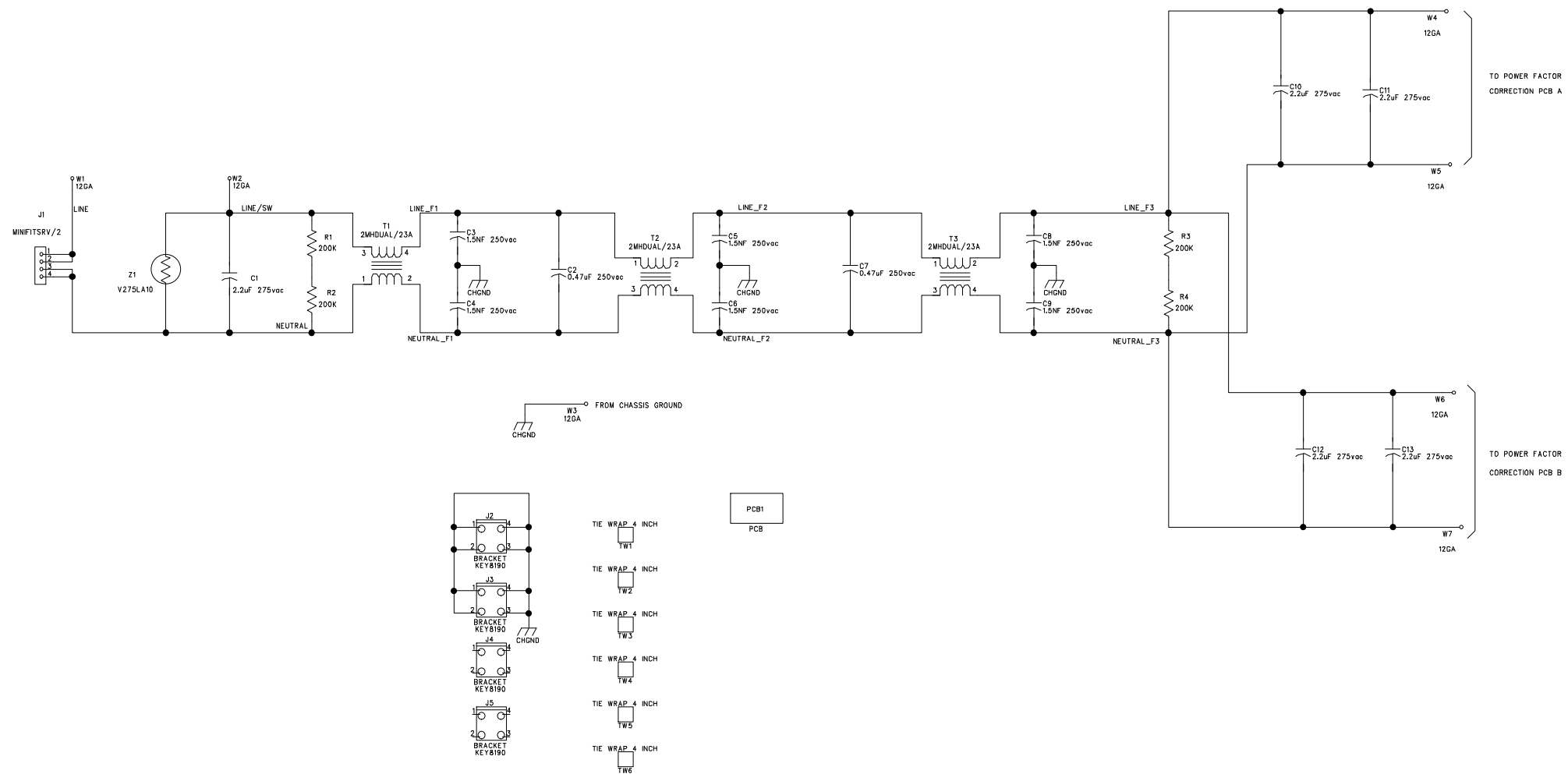


3695-D BECAME 3695-00  
 THIS SCHEMATIC AGREES WITH  
 PC BOARD 26D 3695-00. DO NOT MAKE  
 ANY CHANGES WITHOUT A ECO

<b>CREST AUDIO</b>			
TITLE: RESONANT CONVERTER CONTROL CIRCUIT			
8002			
DRAWN: F.D.B.	DATED: 29 OCT 97	CODE:	REV: 00
CHECKED:	DATED:	SIZE:	DRAWING NO: 3695
QUALITY CONTROL:	DATED:	SCALE:	SHEET: 1 OF 1
RELEASED:	DATED:		



REVISION RECORD			
LTR	ECO NO:	APPROVED:	DATE:



TO POWER FACTOR  
CORRECTION PCB A

TO POWER FACTOR  
CORRECTION PCB B

THIS SCHEMATIC AGREES WITH PC BOARD 26D 3409-00  
DO NOT MAKE CHANGES WITHOUT A ECO

**CREST AUDIO**

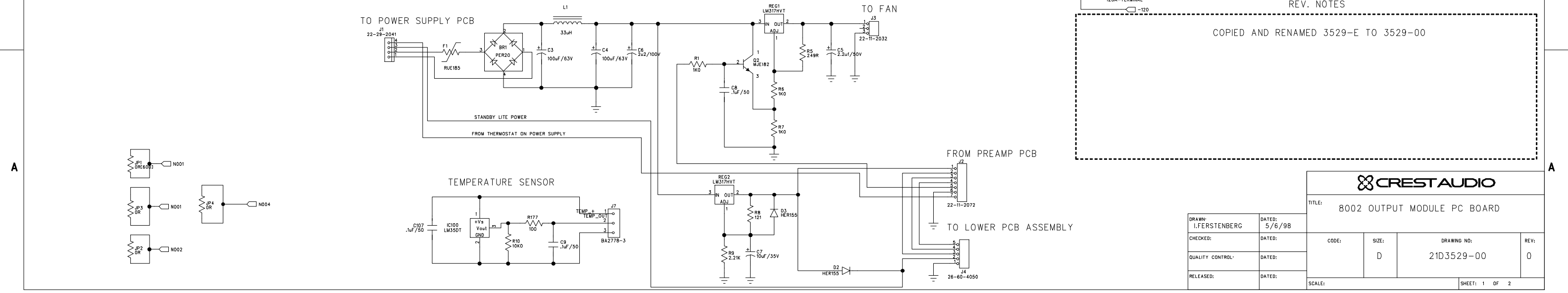
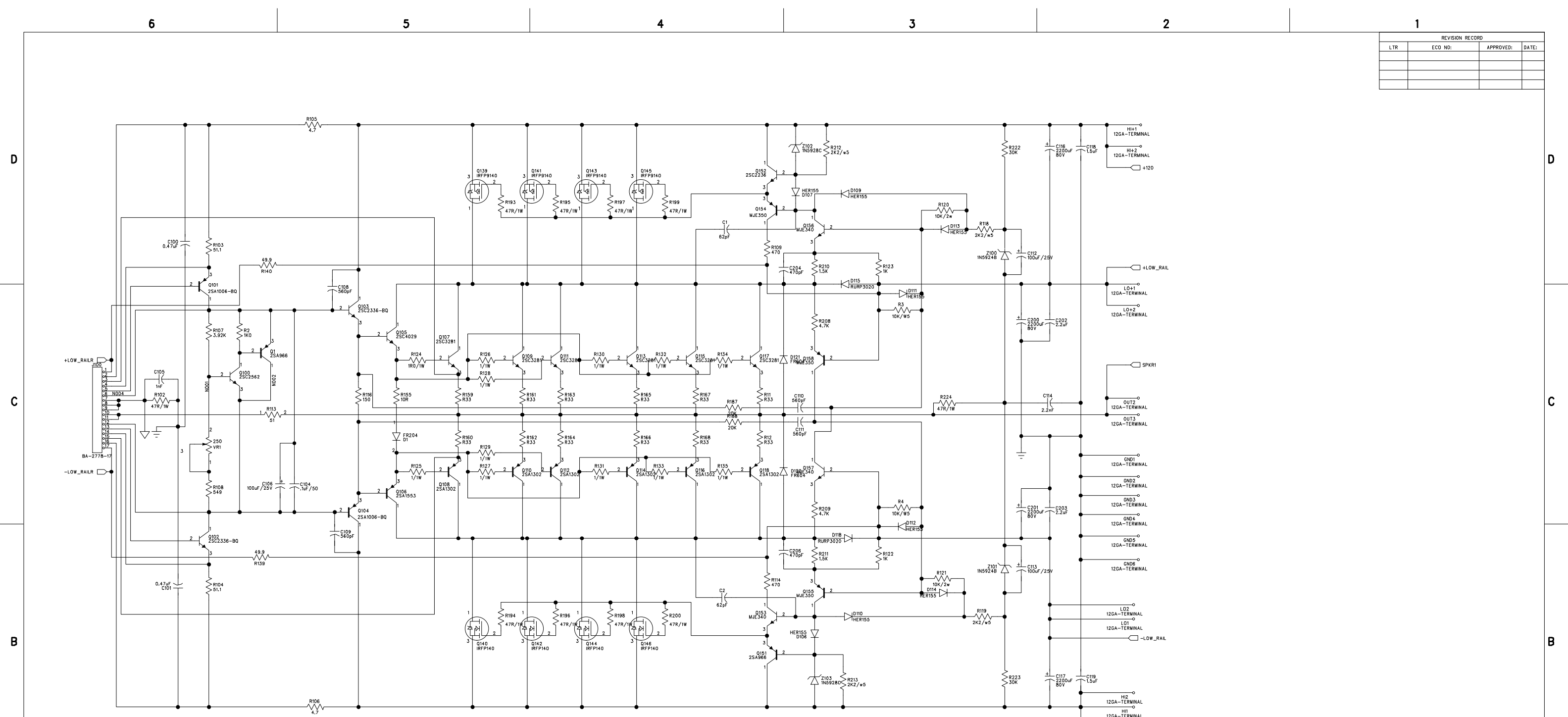
TITLE: SUPPRESSION FILTER BOARD

8002

DRAWN: BE	DATED: 6/97	CODE:	SIZE: D	DRAWING NO: 21D 3409-00	REV: 00
CHECKED:	DATED:	SCALE:			
QUALITY CONTROL:	DATED:	SHEET: 10F 1			
RELEASED:	DATED:				

DRAWN: BE	DATED: 6/97
CHECKED:	DATED:
QUALITY CONTROL:	DATED:
RELEASED:	DATED:

REVISION RECORD			
LTR	ECO NO:	APPROVED:	DATE:



REV. NOTES  
 COPIED AND RENAMED 3529-E TO 3529-00

<b>CREST AUDIO</b>			
TITLE: 8002 OUTPUT MODULE PC BOARD			
DRAWN: I.FERSTENBERG	DATED: 5/6/98	CODE:	REV: 0
CHECKED:	DATED:	SIZE: D	DRAWING NO: 21D3529-00
QUALITY CONTROL:	DATED:	SCALE:	SHEET: 1 OF 2
RELEASED:	DATED:		