

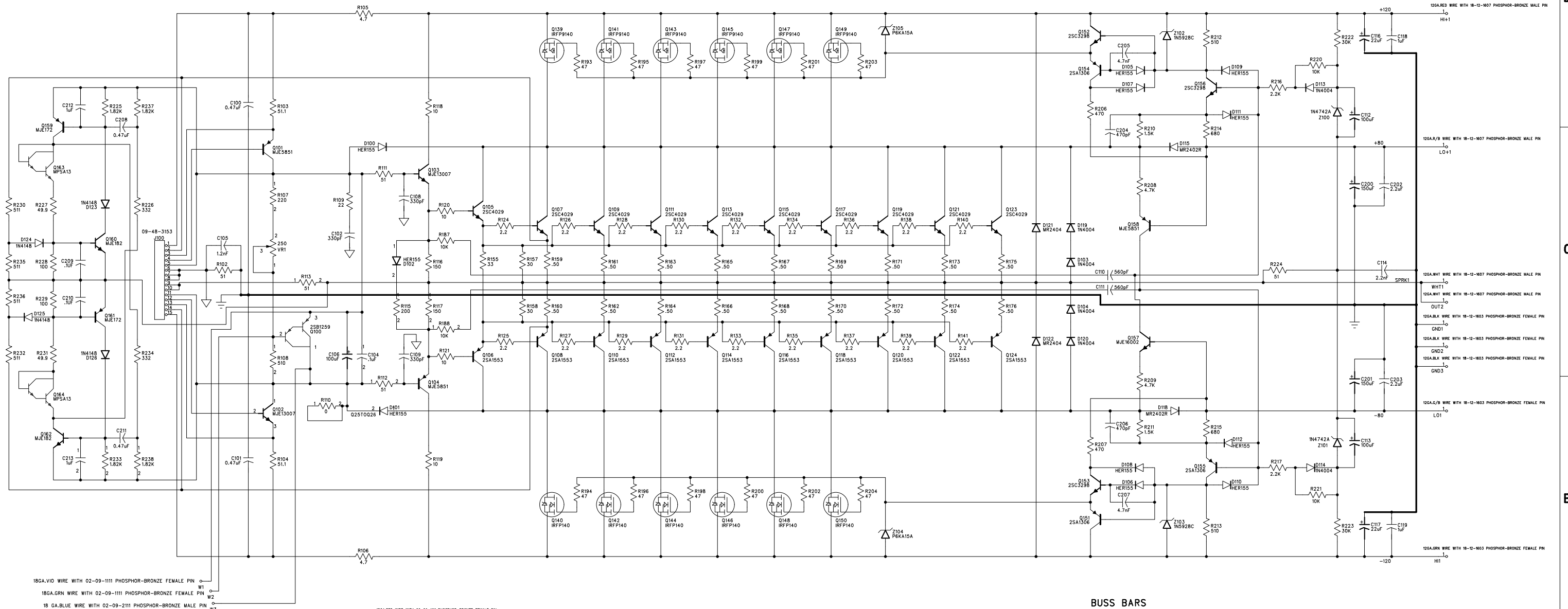


## Pro Series 9001 power amplifiers

May 2000 (current production)

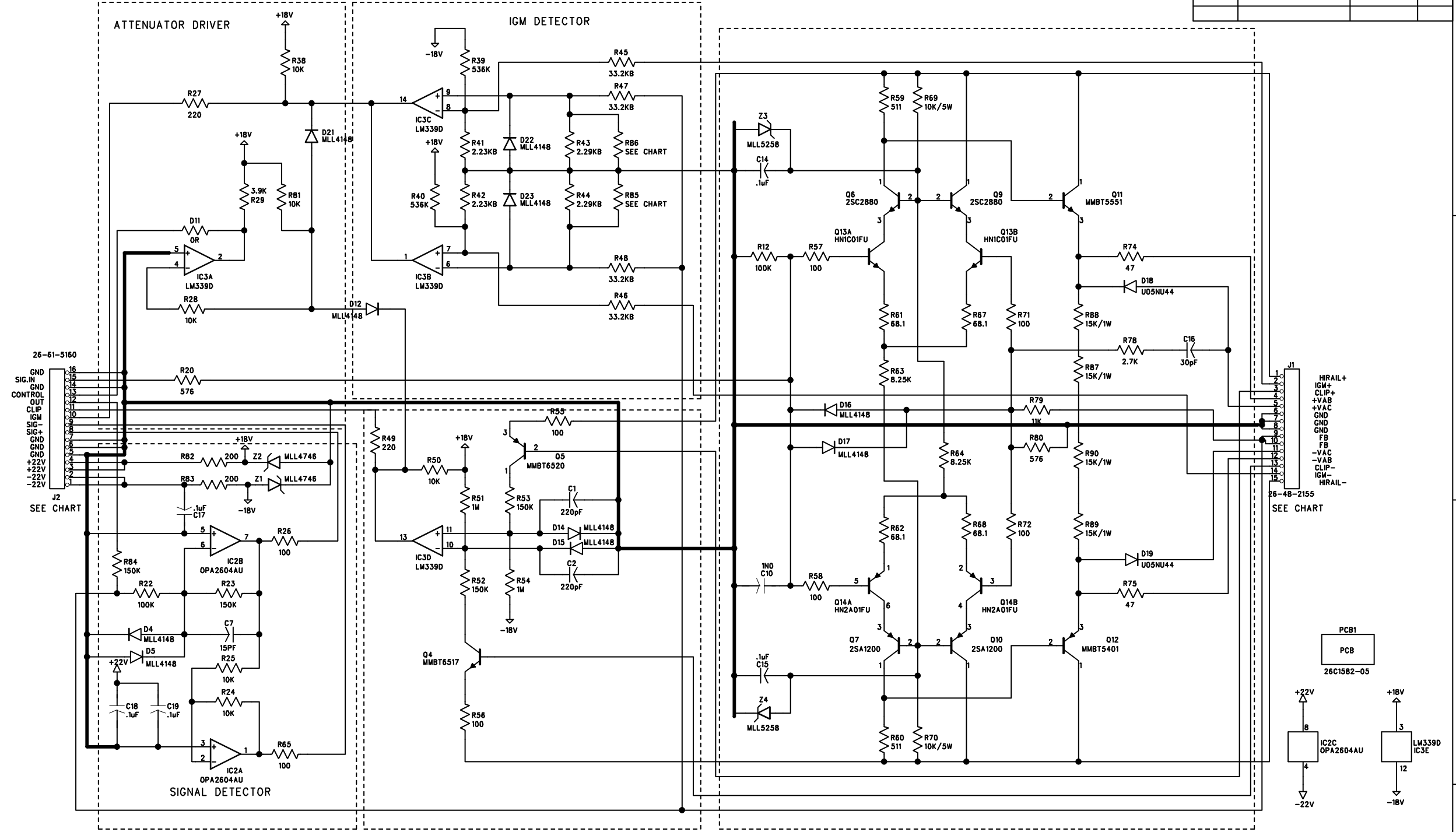
1. New Output module (1996 +)
2. New Preamp (1996 +)
3. New Power supply cap board
4. New Power supply auxiliary board
5. Early Power supply
6. Inrush board rev 3
7. Inrush board rev 4
8. Zobel board
9. Harness adaptor

REVISION RECORD			
LTR	ECO NO:	APPROVED:	DATE:



6 5 4 3 2 1

REVISION RECORD			
LTR	ECO NO:	APPROVED:	DATE:



NOTES

- REF DES OF PARTS CHANGED FOR CLAIR BROTHERS R20 AND R80
- ADDED D11
- REPLACED D11 WITH 0 OHM JUMPER
- 5/9/00 DRAWING BROUGHT UP TO CURRENT LEVEL



TITLE: 9001 PREAMP			
DRAWN: LAP	DATED: 1/96	CODE:	REV: 04
CHECKED:	DATED:	SIZE: C	DRAWING NO:
QUALITY CONTROL:	DATED:	SCALE:	SHEET: 1 OF 1
RELEASED:	DATED:		

6

5

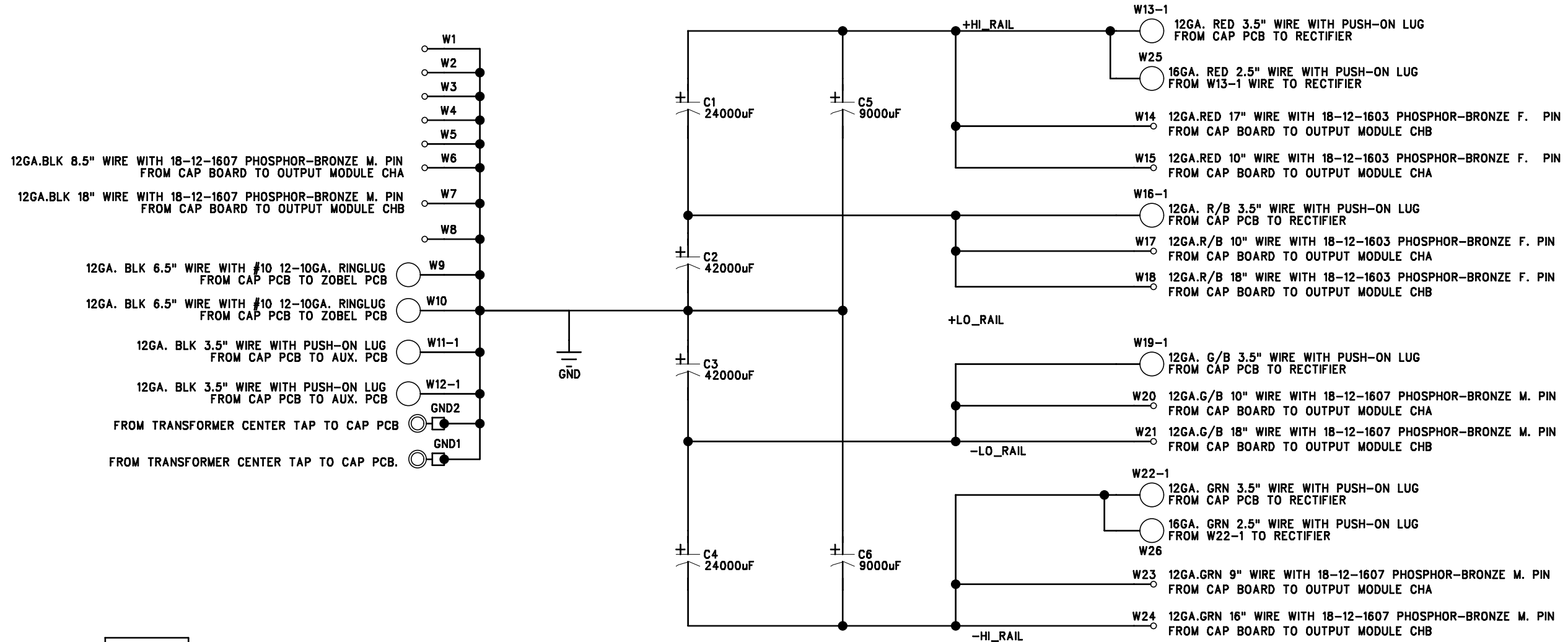
4

3

2

1

REVISION RECORD			
LTR	ECO NO:	APPROVED:	DATE:



PCB1  
PCB

CON1  
CONNECTOR  
03-12-1062

CON2  
CONNECTOR  
03-12-1062

COMPANY: <b>CREST AUDIO</b>			
TITLE: <b>9K1 POWER SUPPLY CAP BOARD</b>			
CODE:	SIZE:	DRAWING NO:	REV:
SCALE:			SHEET: 1 OF 1

DRAWN: LAP	DATED: 4/96
CHECKED:	DATED:
QUALITY CONTROL:	DATED:
RELEASED:	DATED:

D

C

B

A

D

C

B

A

6

5

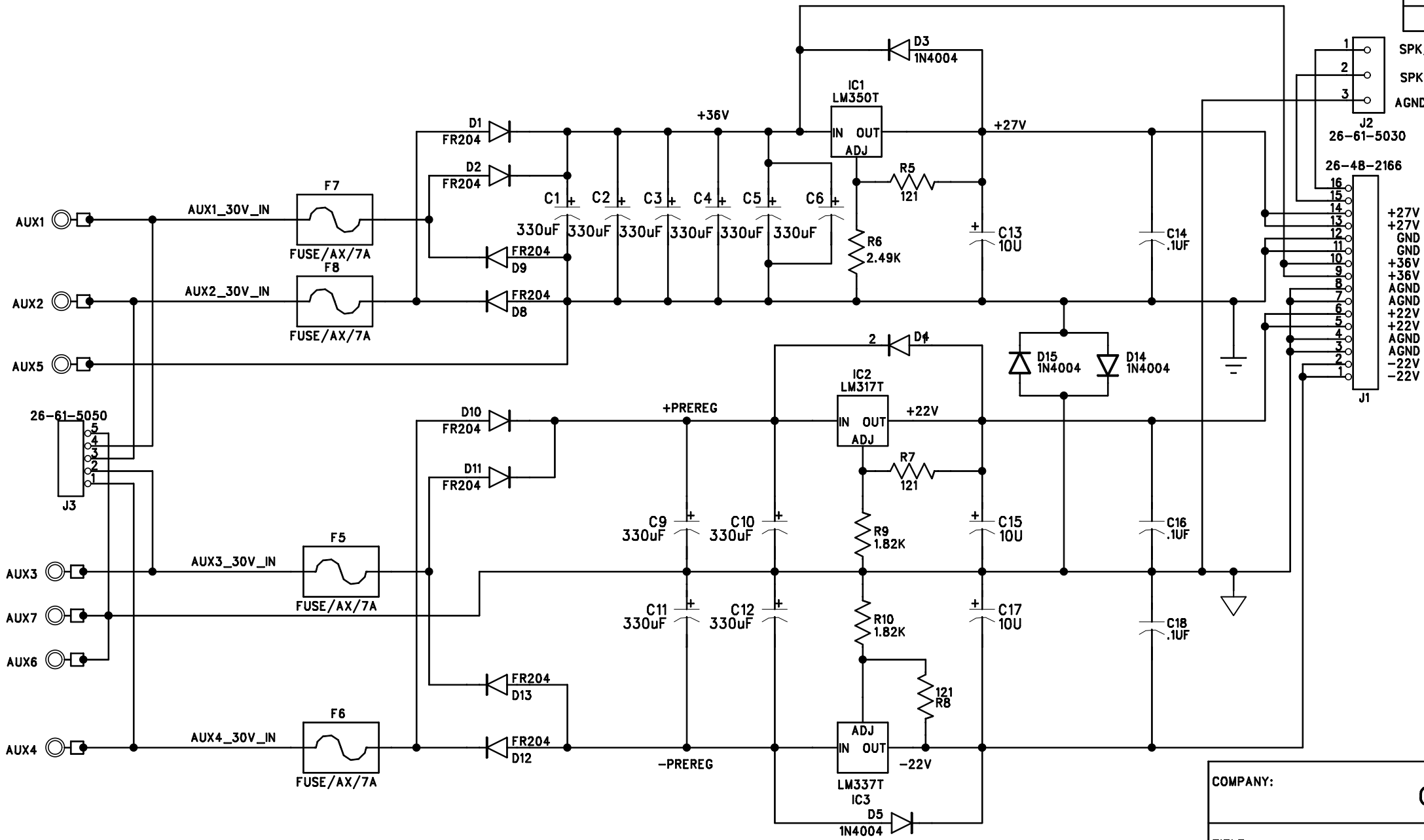
4

3

2

1

REVISION RECORD			
LTR	ECO NO:	APPROVED:	DATE:



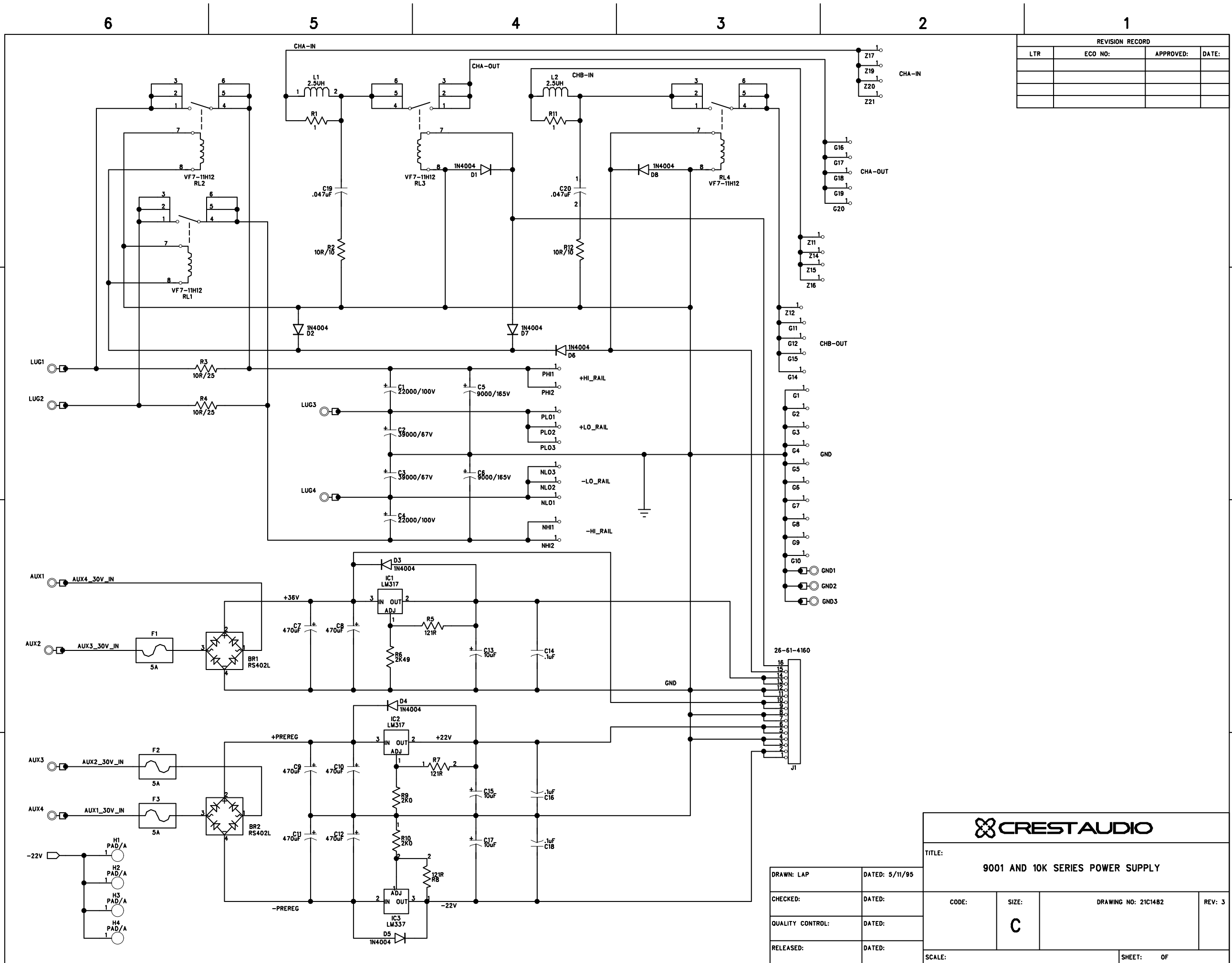
- 1 SPK\_RLY\_CHA
  - 2 SPK\_RLY\_CHB
  - 3 AGND
- J2  
26-61-5030
- 16
  - 15
  - 14
  - 13
  - 12
  - 11
  - 10
  - 9
  - 8
  - 7
  - 6
  - 5
  - 4
  - 3
  - 2
  - 1
- J1  
26-48-2166
- +27V
  - +27V
  - GND
  - GND
  - +36V
  - +36V
  - AGND
  - AGND
  - +22V
  - +22V
  - AGND
  - AGND
  - 22V
  - 22V

COMPANY: CREST AUDIO

TITLE: 9K1 SUB PCB

DRAWN: LAP	DATED: 2/96
CHECKED:	DATED:
QUALITY CONTROL:	DATED:
RELEASED:	DATED:

CODE:	SIZE: B	DRAWING NO:	REV: 00
SCALE:			SHEET: 1 OF 2

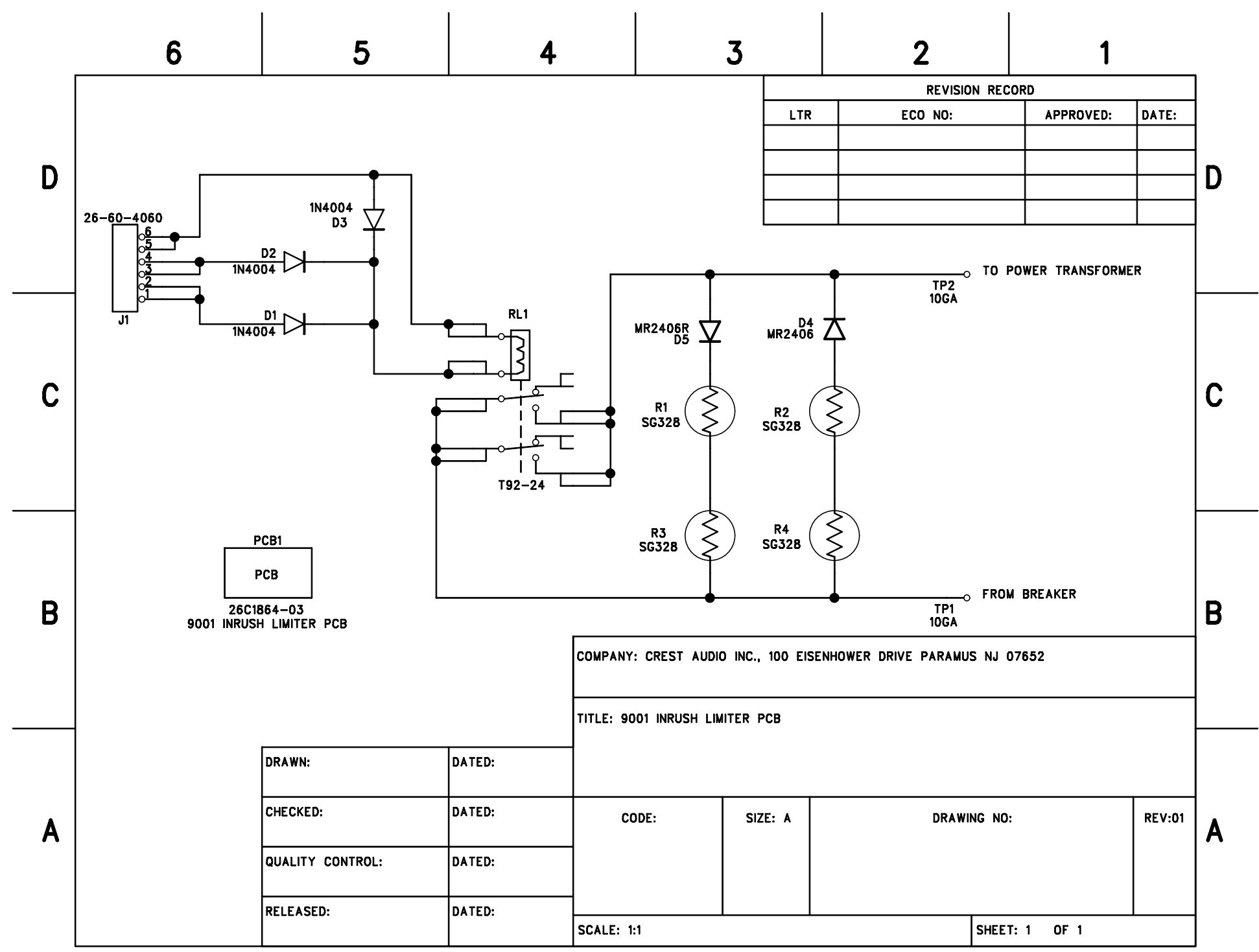


REVISION RECORD			
LTR	ECO NO:	APPROVED:	DATE:

**CREST AUDIO**

TITLE: **9001 AND 10K SERIES POWER SUPPLY**

DRAWN: LAP	DATED: 5/11/95	CODE:	SIZE: <b>C</b>
CHECKED:	DATED:	DRAWING NO: 21C1482	
QUALITY CONTROL:	DATED:	REV: 3	
RELEASED:	DATED:	SCALE:	SHEET: OF



REVISION RECORD			
LTR	ECO NO:	APPROVED:	DATE:

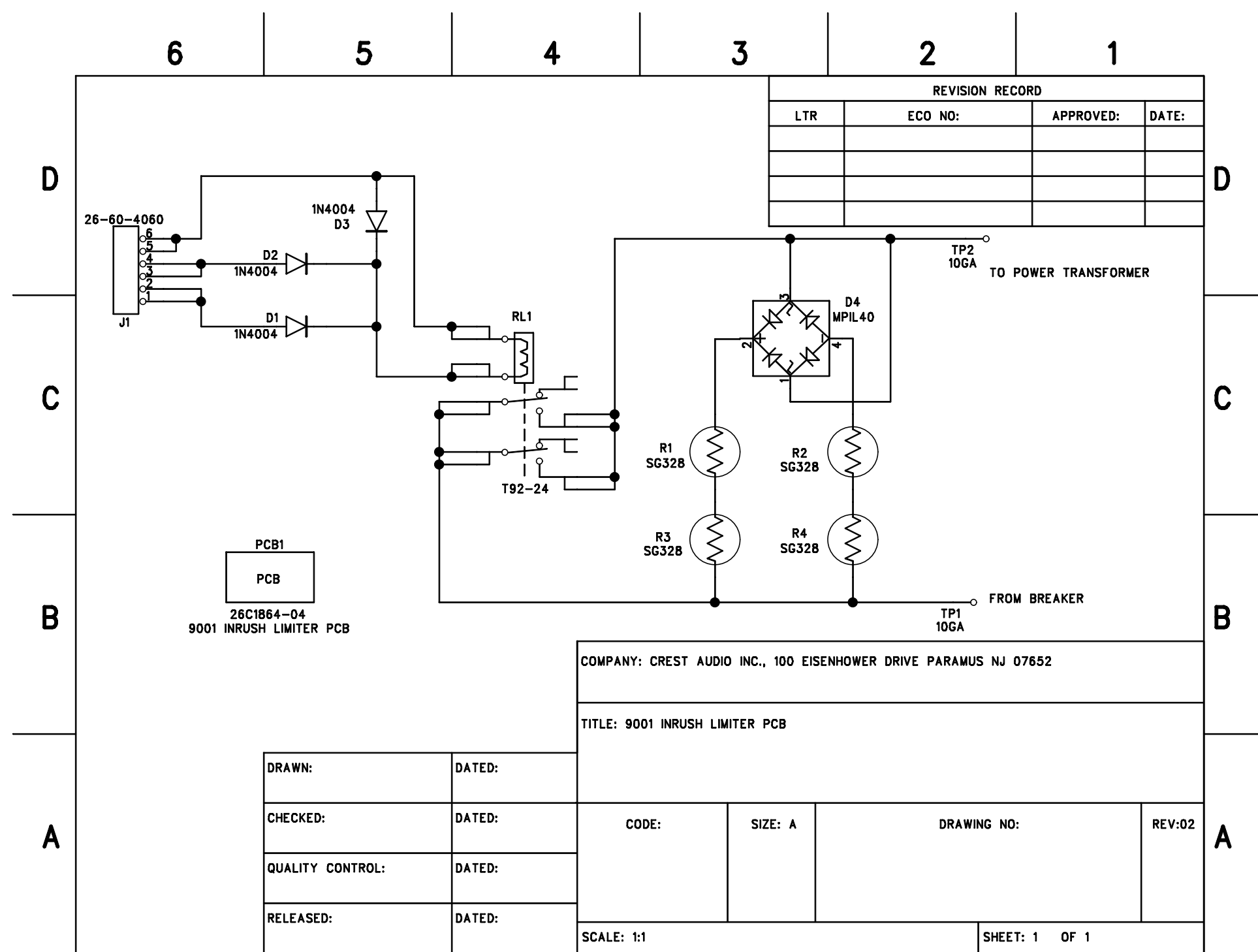
PCB1  
PCB  
26C1864-03  
9001 INRUSH LIMITER PCB

COMPANY: CREST AUDIO INC., 100 EISENHOWER DRIVE PARAMUS NJ 07652

TITLE: 9001 INRUSH LIMITER PCB

DRAWN:	DATED:
CHECKED:	DATED:
QUALITY CONTROL:	DATED:
RELEASED:	DATED:

CODE:	SIZE: A	DRAWING NO:	REV:01
SCALE: 1:1		SHEET: 1 OF 1	



REVISION RECORD			
LTR	ECO NO:	APPROVED:	DATE:

PCB1  
PCB  
26C1864-04  
9001 INRUSH LIMITER PCB

COMPANY: CREST AUDIO INC., 100 EISENHOWER DRIVE PARAMUS NJ 07652

TITLE: 9001 INRUSH LIMITER PCB

DRAWN:	DATED:
CHECKED:	DATED:
QUALITY CONTROL:	DATED:
RELEASED:	DATED:

CODE:	SIZE: A	DRAWING NO:	REV:02
-------	---------	-------------	--------

SCALE: 1:1 SHEET: 1 OF 1



6

5

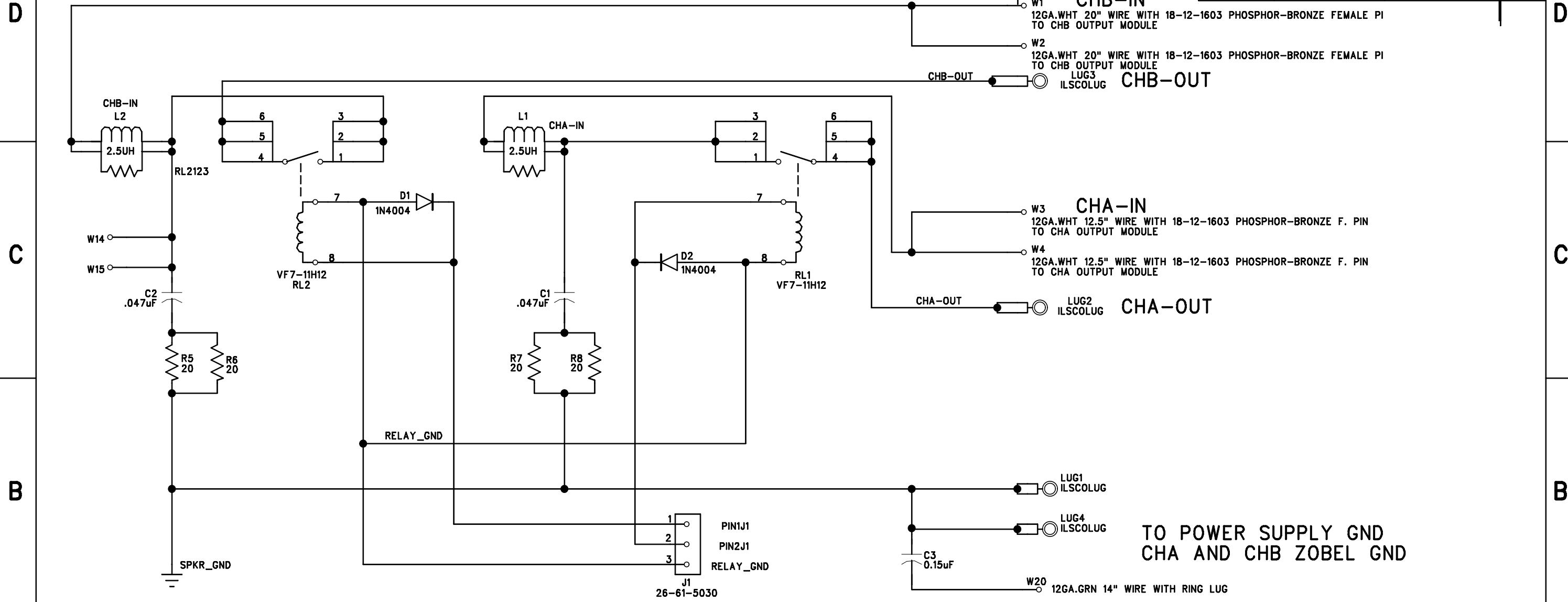
4

3

2

1

REVISION RECORD			
LTR	ECO NO:	APPROVED:	DATE:



CON1  
CONNECTOR  
03-12-2022

CON2  
CONNECTOR  
03-12-2022

COMPANY:

TITLE:  
**9001 ZOBEL**

DRAWN:	DATED:
CHECKED:	DATED:
QUALITY CONTROL:	DATED:
RELEASED:	DATED:

CODE:	SIZE:	DRAWING NO:	REV:
SCALE:			SHEET: OF

D

C

B

A

D

C

B

A

6                      5                      4                      3                      2                      1

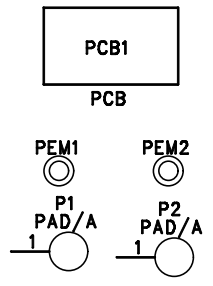
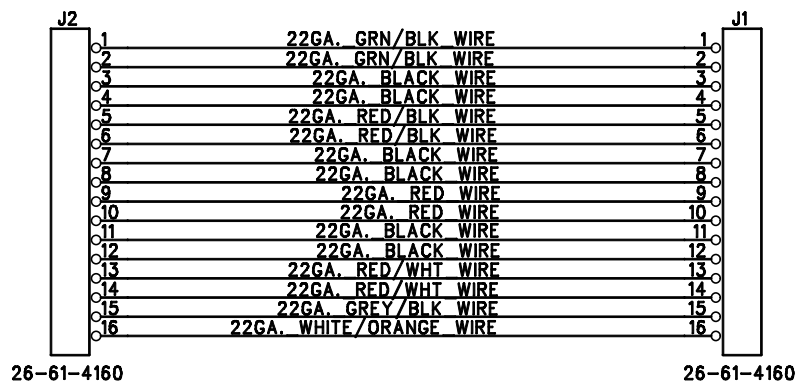
REVISION RECORD			
LTR	ECO NO:	APPROVED:	DATE:

D

D

C

C



B

B

COMPANY: CREST AUDIO

TITLE: 9K1 HARNESS ADAPTER PCB

A

A

DRAWN: LAP	DATED: 3/26/96
CHECKED:	DATED:
QUALITY CONTROL:	DATED:
RELEASED:	DATED:

CODE:	SIZE: A	DRAWING NO:	REV: 00
SCALE:			SHEET: 1 OF 1