

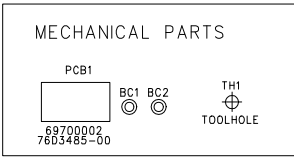
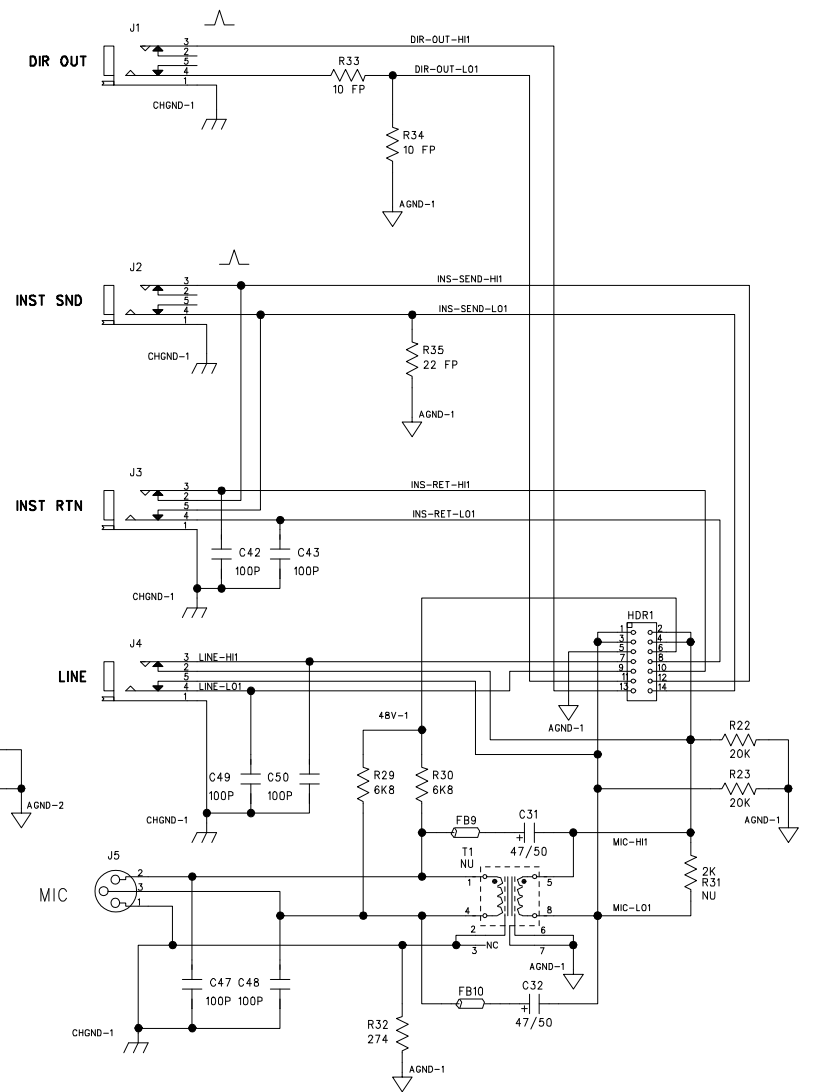
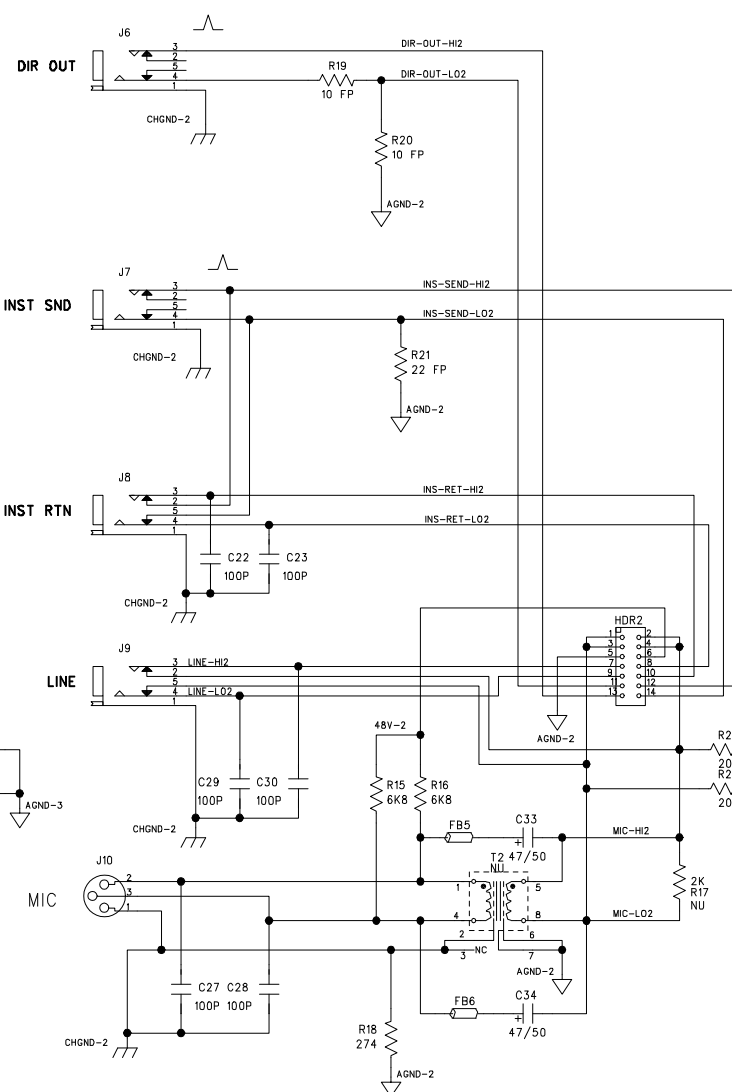
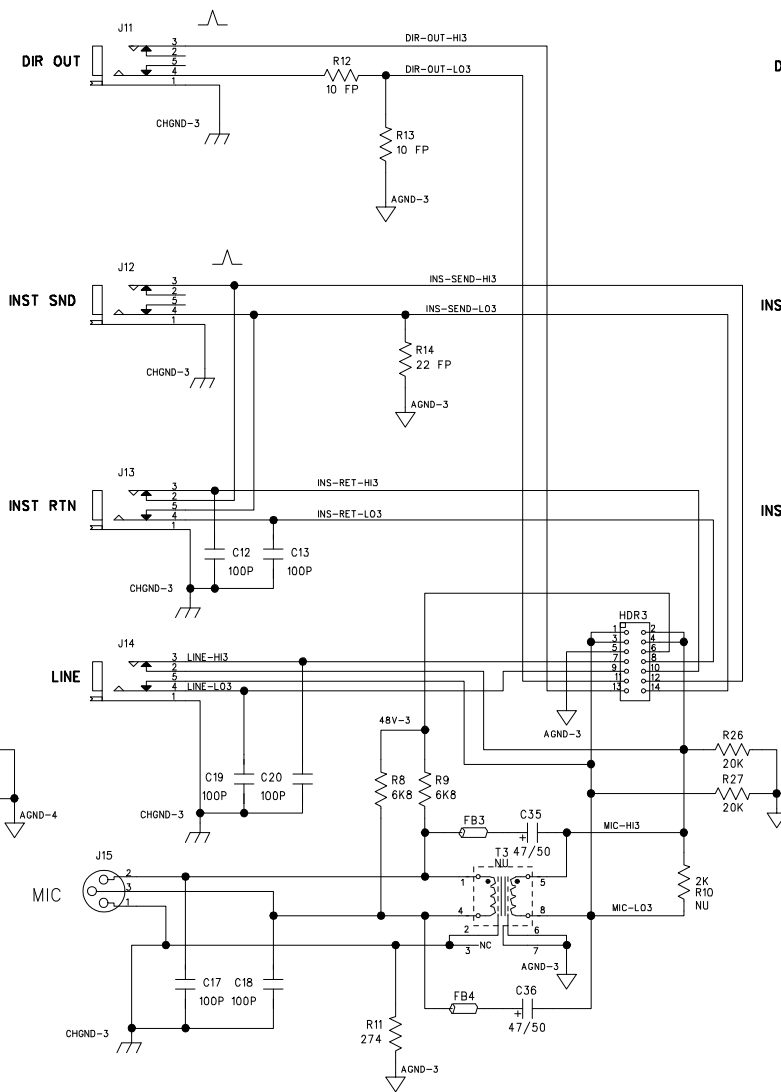
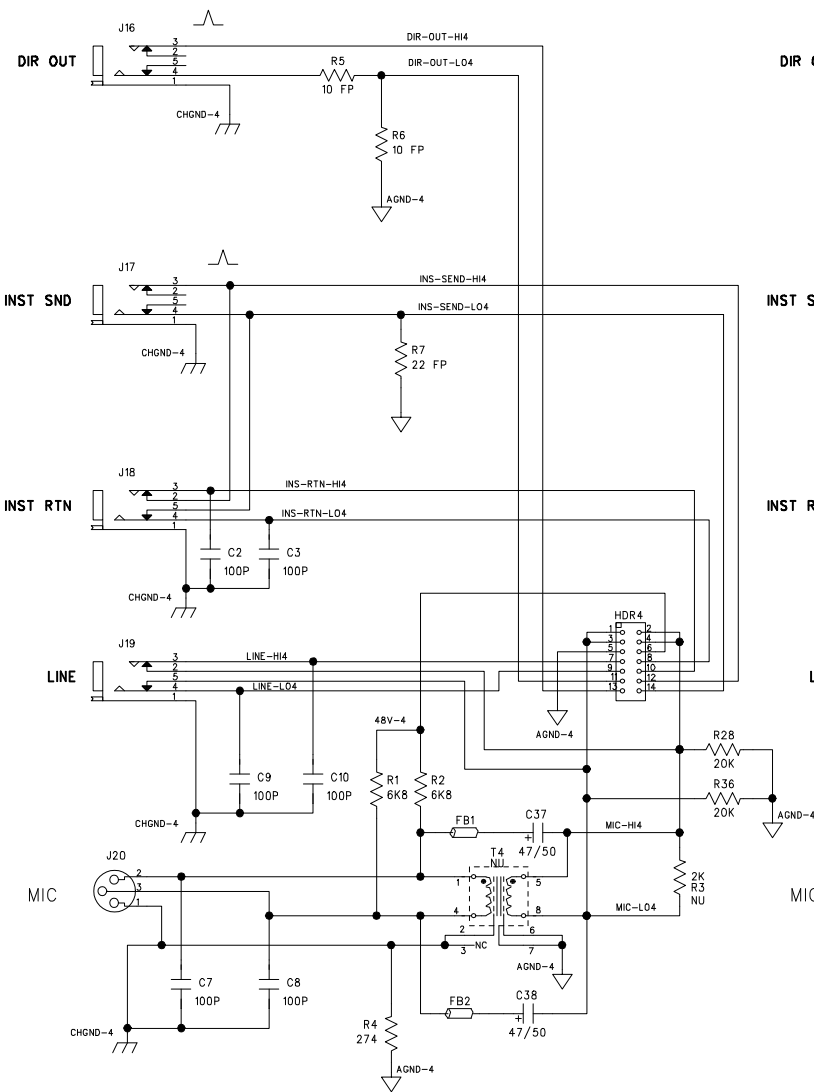
REVISION RECORD			
LTR	ECO NO:	APPROVED:	DATE:

CHANNEL 4

CHANNEL 3

CHANNEL 2

CHANNEL 1



COMPANY: CRESTAUDIO

TITLE: X8 MONO INPUT CONNECTOR CARD
XVCA MONO INPUT CONNECTOR CARD

ORG DRAWN: RI/JRP	DATED: 19 NOV 97
CHECKED:	DATED:
CUR REV DRAWN: PSM	DATED: 6/28/99
RELEASED:	DATED:

CODE:	SIZE: D	DRAWING NO: 76D3485	REV: 00
SCALE:		FILE NAME: X8IPMNC0.SCH	SHEET: 1 OF 1

6

5

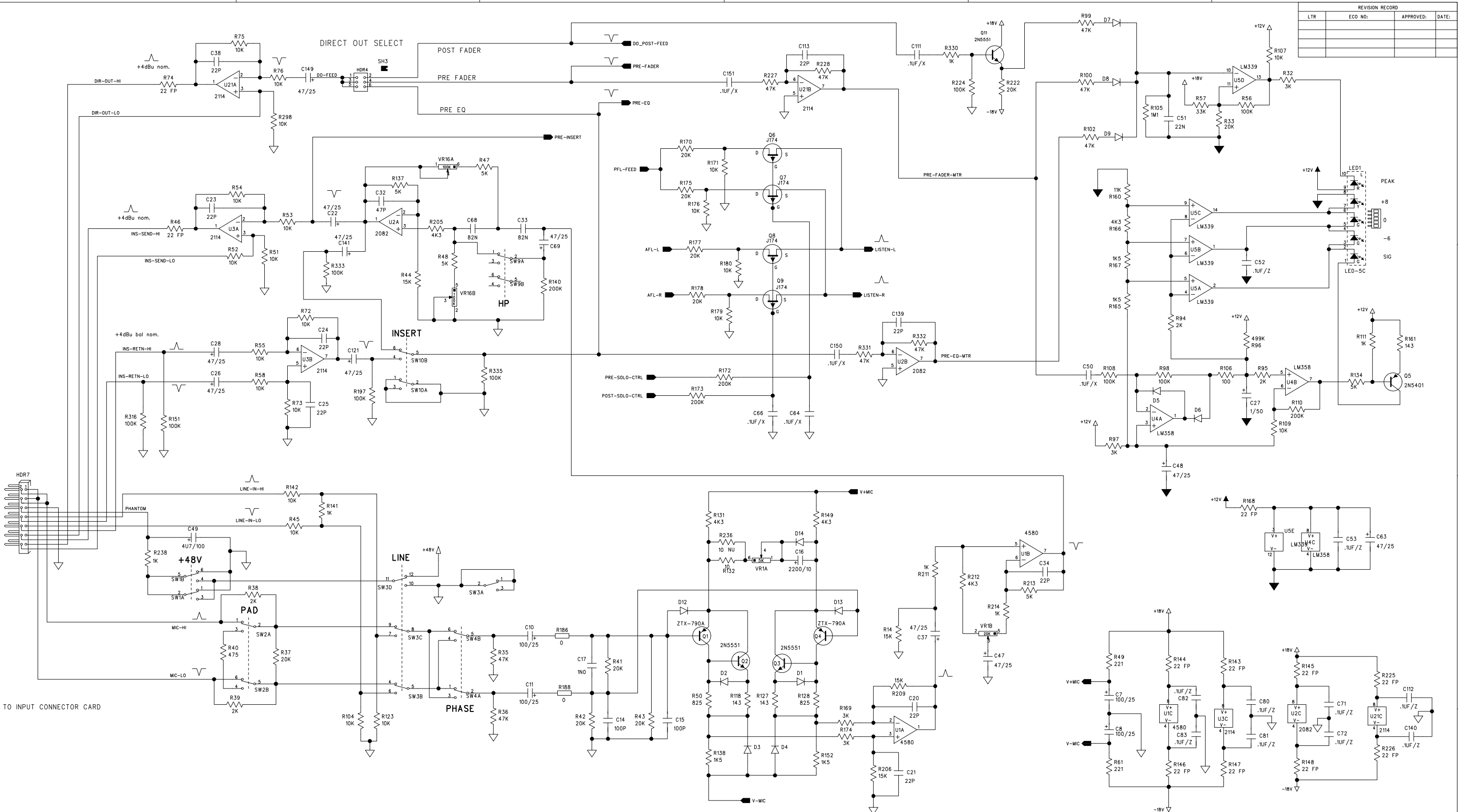
4

3

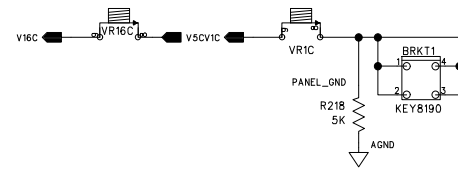
2

1

REVISION RECORD			
LTR	ECO NO:	APPROVED:	DATE:



TO INPUT CONNECTOR CARD



COMPANY: CRESTAUDIO		TITLE: X-VCA MONO INPUT MAIN	
DRAWN: R1	DATED: 22 FEB 99	DRAWING NO: 76D4477	REV: 0
CHECKED: JP	DATED: OCT 00	FILE NAME: XVINPMNO.SCH	
RELEASED:	DATED:		
CODE:	SIZE: D	SCALE:	SHEET: 1 OF 5

6

5

4

3

2

1

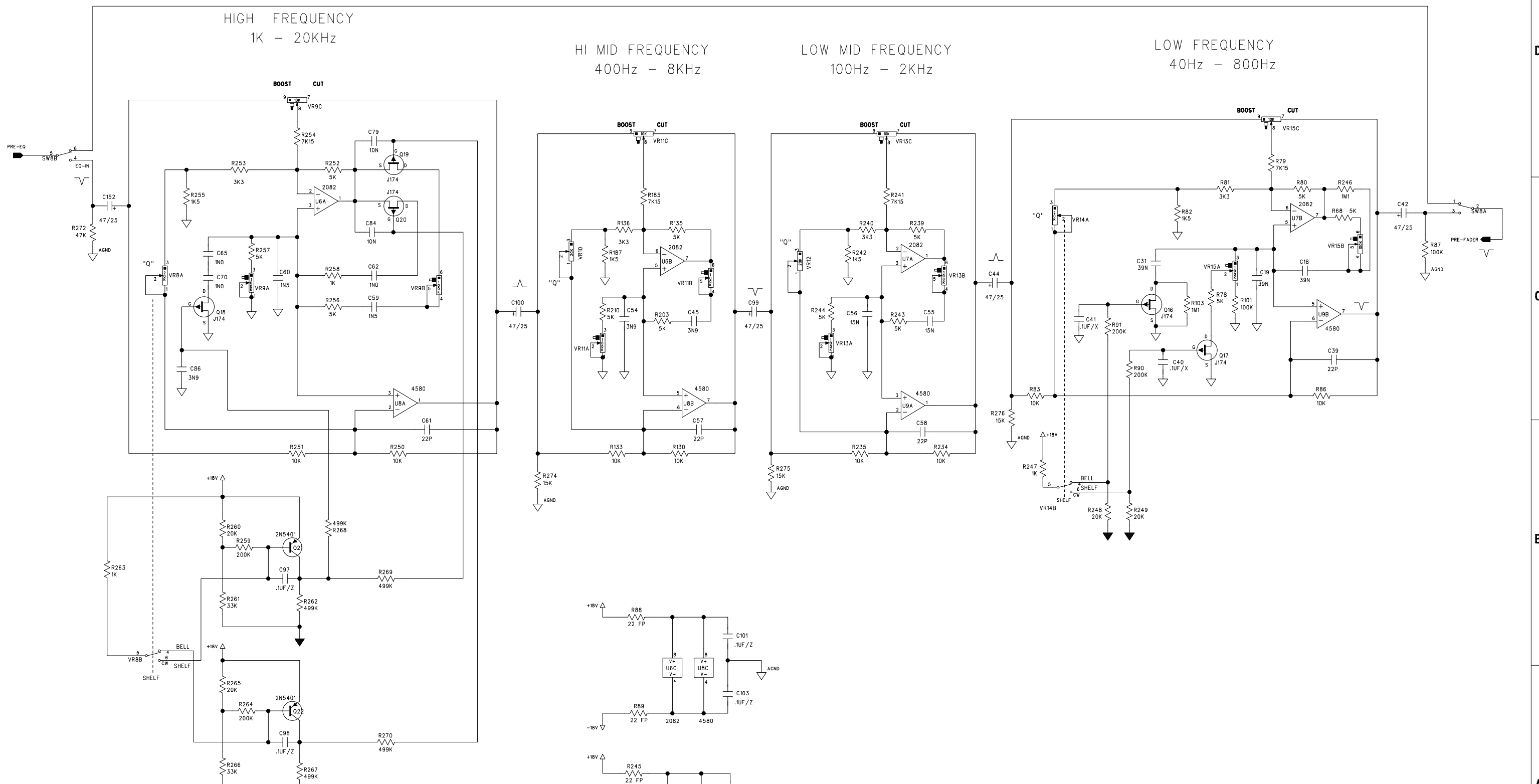
REVISION RECORD			
LTR	ECO NO:	APPROVED:	DATE:

HIGH FREQUENCY
1K - 20KHz

HI MID FREQUENCY
400Hz - 8KHz

LOW MID FREQUENCY
100Hz - 2KHz

LOW FREQUENCY
40Hz - 800Hz



COMPANY: **CRESTAUDIO**

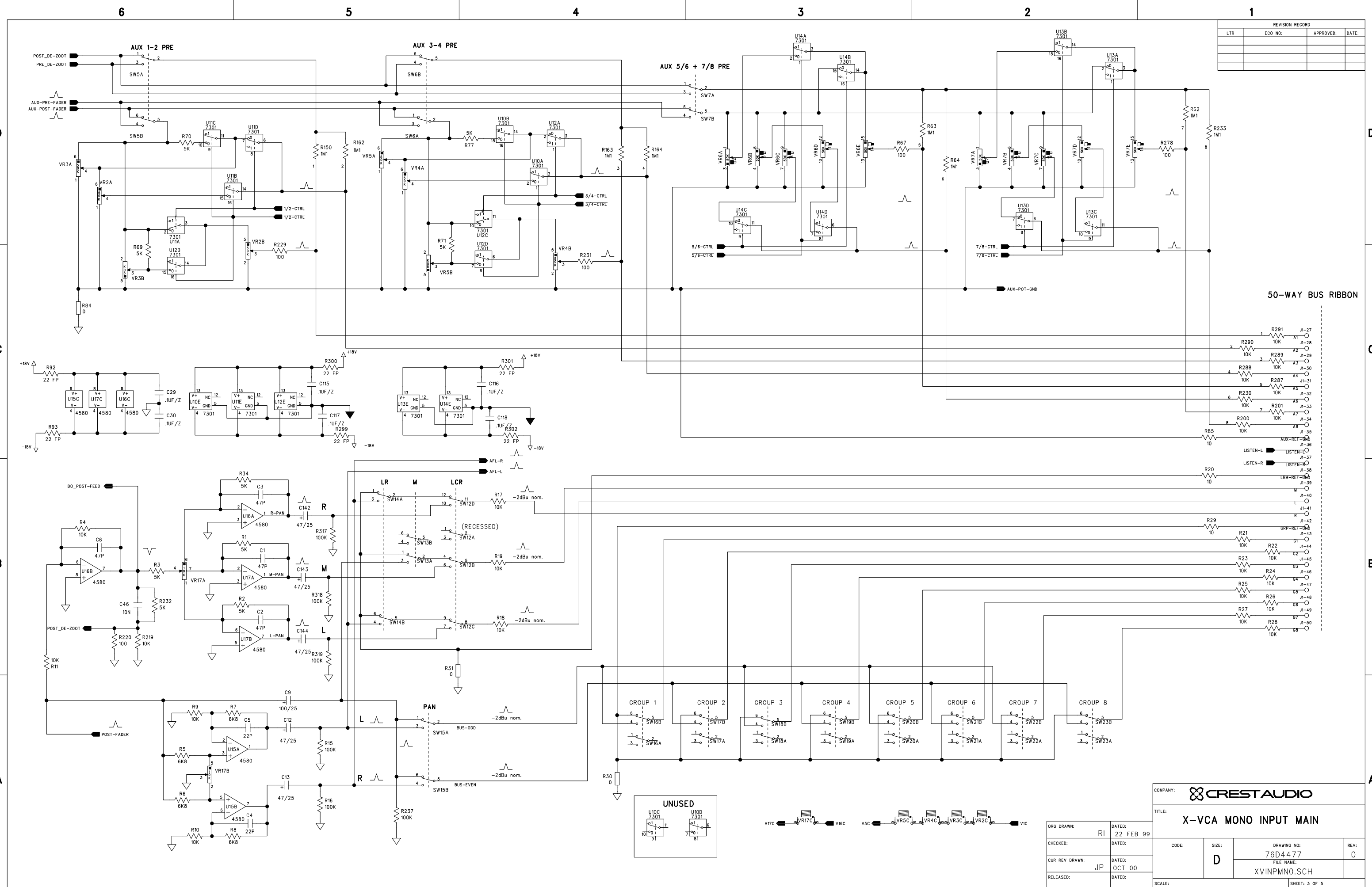
TITLE: **X-VCA MONO INPUT MAIN INPUT EQ SECTION**

ORG DRAWN: RI	DATED: 22 FEB 99	CODE:	SIZE: D	DRAWING NO: 76D4477	REV: 0
CHECKED:	DATED:	FILE NAME: XVINPMNO.SCH	SHEET: 2 OF 5		
CUR REV DRAWN: JP	DATED: OCT 00				
RELEASED:	DATED:				

D
C
B
A

D
C
B
A

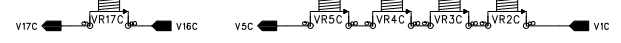
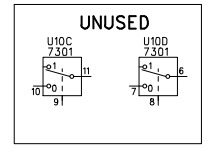
REVISION RECORD			
LTR	ECO NO:	APPROVED:	DATE:



50-WAY BUS RIBBON

- 1 R291 10K J1-27
- 2 R290 10K J1-28
- 3 R289 10K J1-29
- 4 R288 10K J1-30
- 5 R287 10K J1-31
- 6 R230 10K J1-32
- 7 R201 10K J1-33
- 8 R200 10K J1-34
- AUX-REF-GND J1-35
- LISTEN-L J1-36
- LISTEN-R J1-37
- LRM-REF-GND J1-38
- M J1-39
- L J1-40
- R J1-41
- GRP-REF-GND J1-42
- R21 10K J1-43
- R22 10K J1-44
- R23 10K J1-45
- R24 10K J1-46
- R25 10K J1-47
- R26 10K J1-48
- R27 10K J1-49
- R28 10K J1-50

COMPANY: CRESTAUDIO		TITLE: X-VCA MONO INPUT MAIN	
ORG DRAWN: RI	DATED: 22 FEB 99	CODE: D	REV: 0
CUR REV DRAWN: JP	DATED: OCT 00	DRAWING NO: 76D4477	
RELEASED:	DATED:	FILE NAME: XVINPMNO.SCH	
SCALE:		SHEET: 3 OF 5	



6

5

4

3

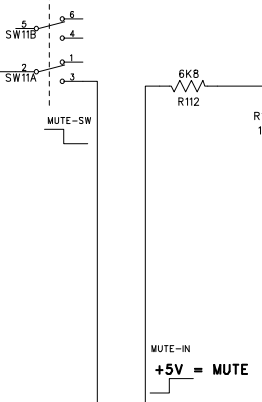
2

1

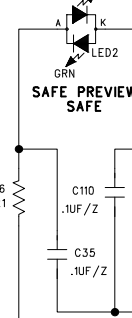
MICRO INTERFACE- MUTE , SOLO & VCA CONTROL

REVISION RECORD			
LTR	ECO NO:	APPROVED:	DATE:

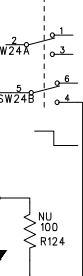
MUTE



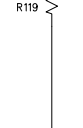
MUTE PREVIEW



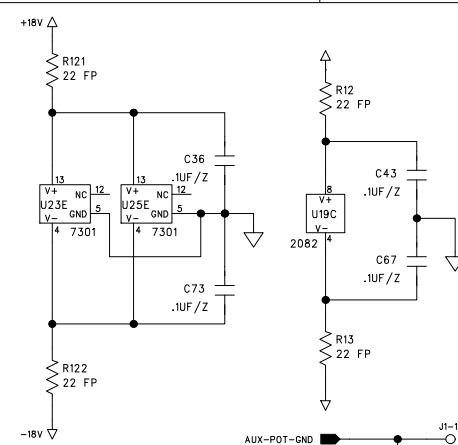
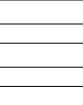
SOLO



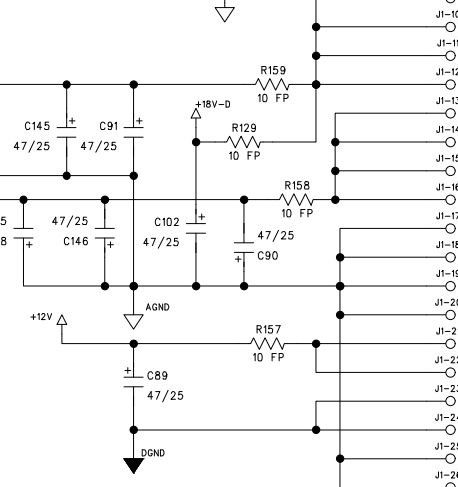
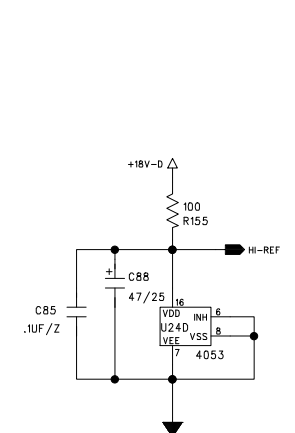
SOLO



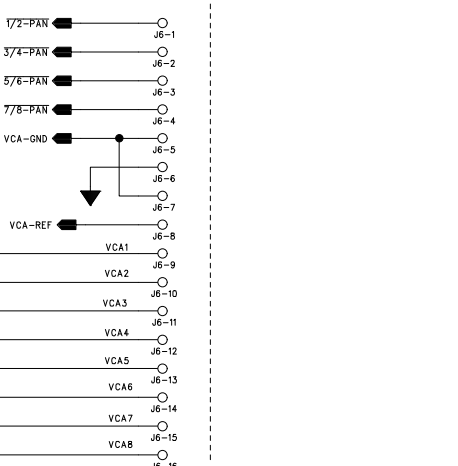
SOLO



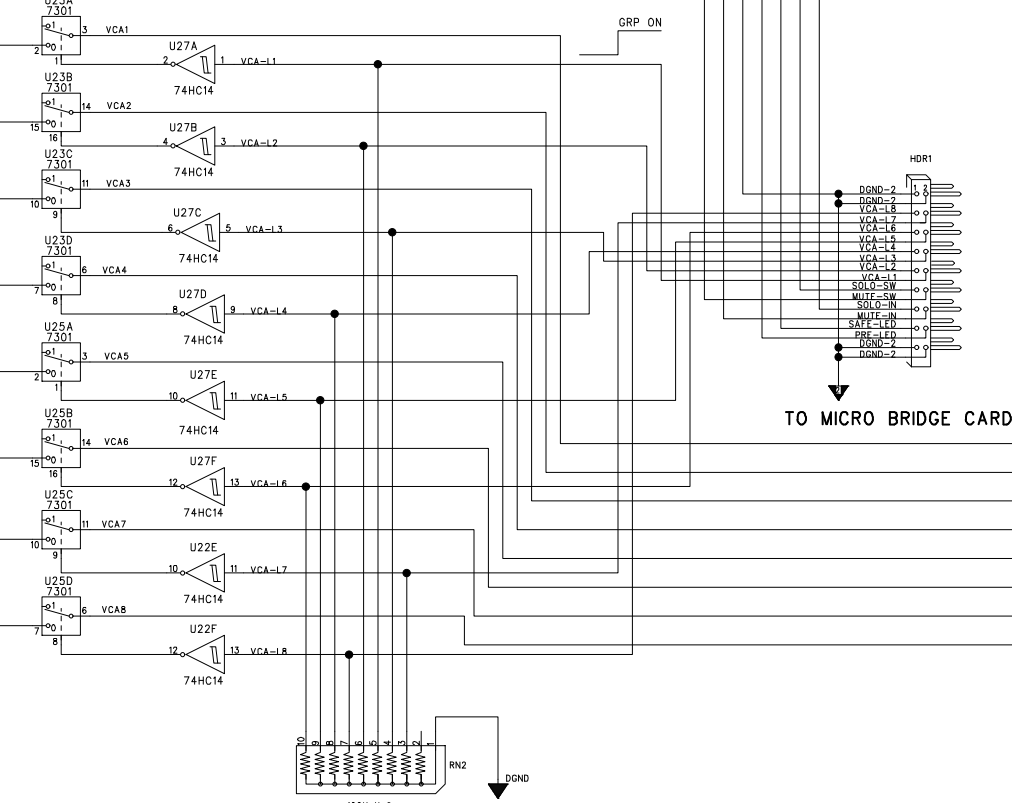
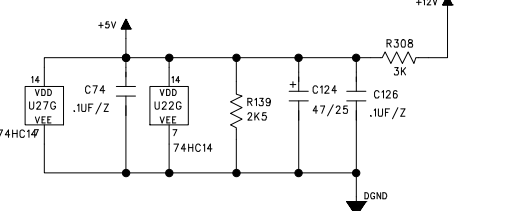
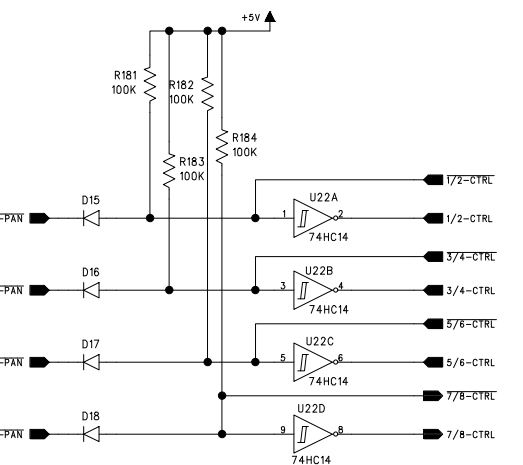
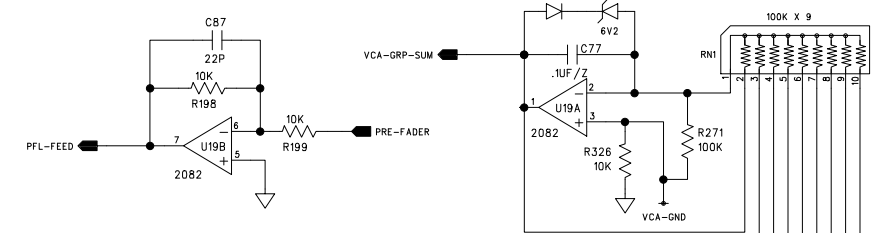
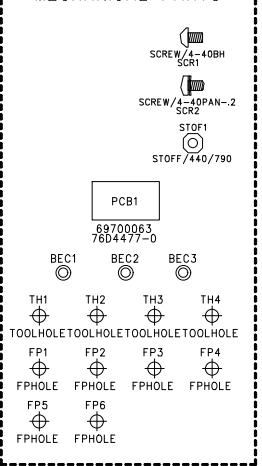
TO 50W MAIN RIBBON



16W CONTROL RIBBON

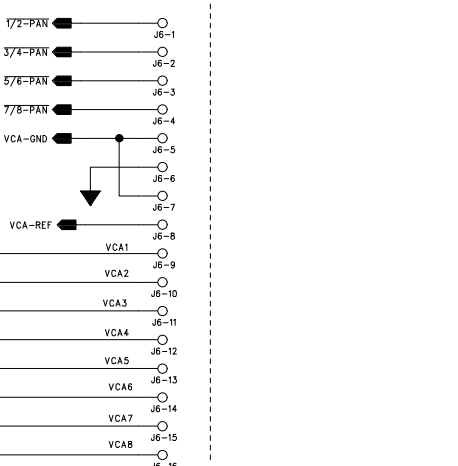


MECHANICAL PARTS

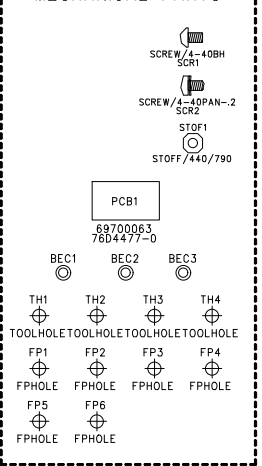


TO MICRO BRIDGE CARD

16W CONTROL RIBBON



MECHANICAL PARTS



COMPANY: CRESTAUDIO		TITLE: X-VCA MONO INPUT MAIN	
ORG DRAWN: RI	DATED: 22 FEB 99	CODE: D	REV: 0
CHECKED: JP	DATED: OCT 00	SIZE: D	DRAWING NO: 76D4477
CUR REV DRAWN: JP	DATED: OCT 00	FILE NAME: XVINPMNO.SCH	SHEET: 5 OF 5
RELEASED:	DATED:	SCALE:	



6

5

4

3

2

1

REVISION RECORD			
LTR	ECO NO:	APPROVED:	DATE:

D

D

C

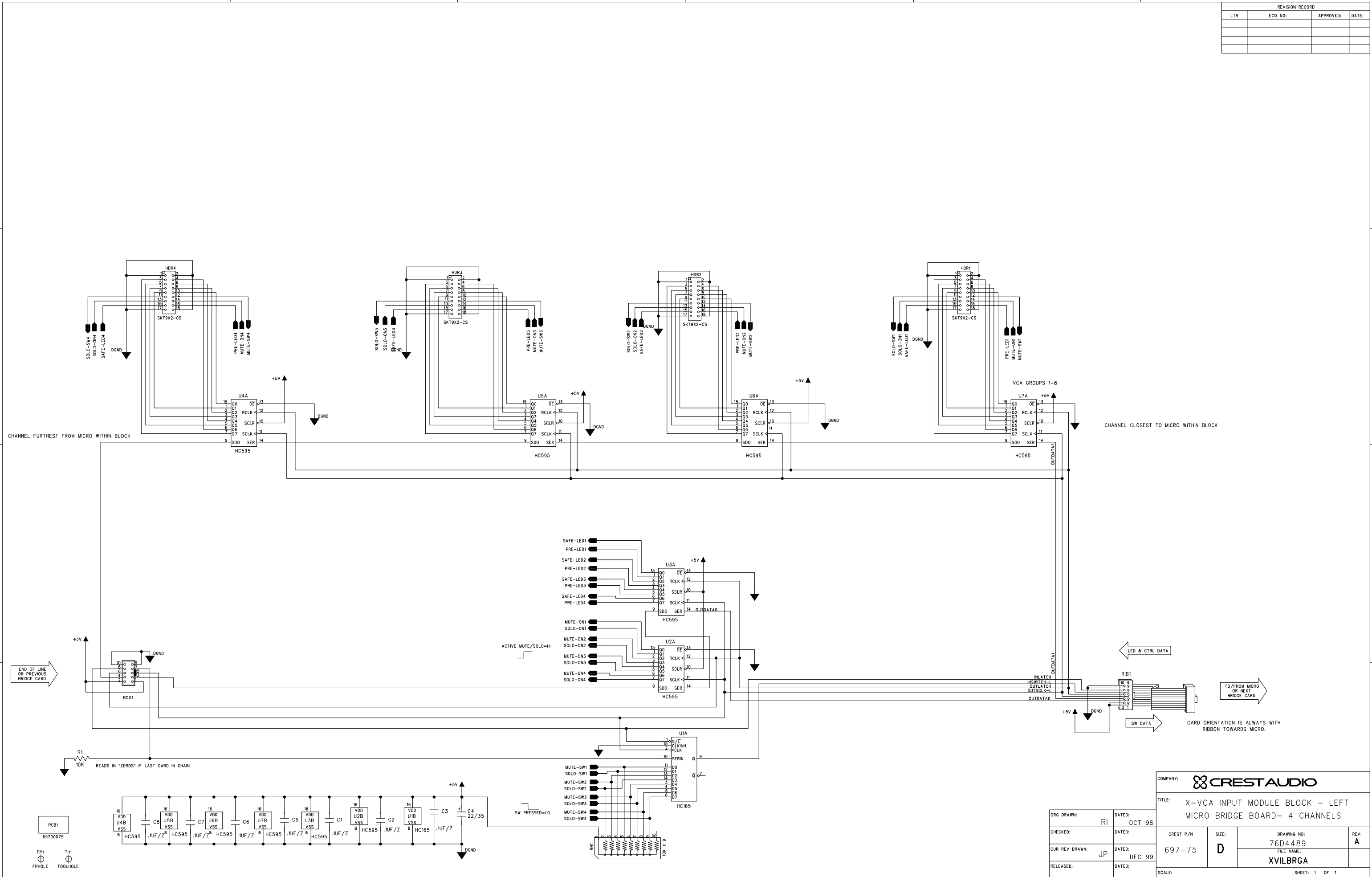
C

B

B

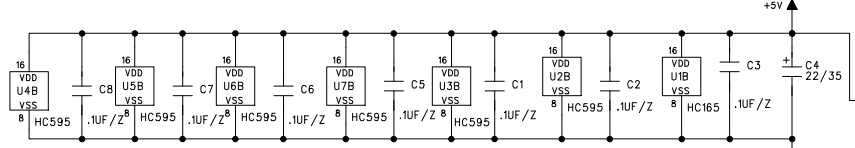
A

A



END OF LINE OR PREVIOUS BRIDGE CARD

+5V
10K
READS IN "ZEROS" IF LAST CARD IN CHAIN



ACTIVE MUTE/SOLO-HI

LED & CTRL DATA

TO/FROM MICRO OR NEXT BRIDGE CARD

CARD ORIENTATION IS ALWAYS WITH RIBBON TOWARDS MICRO.

Pcb1
69700075

FP1 TH1
FPHOLE TOOLHOLE

COMPANY: CRESTAUDIO		TITLE: X-VCA INPUT MODULE BLOCK - LEFT MICRO BRIDGE BOARD- 4 CHANNELS	
ORG DRAWN: RI	DATED: OCT 98	CREST P/N: 697-75	SIZE: D
CUR REV DRAWN: JP	DATED: DEC 99	DRAWING NO: 76D4489	REV: A
RELEASED:	DATED:	FILE NAME: XVILBRGA	SCALE:
SHEET: 1 OF 1			

6

5

4

3

2

1

REVISION RECORD			
LTR	ECO NO:	APPROVED:	DATE:

D

D

C

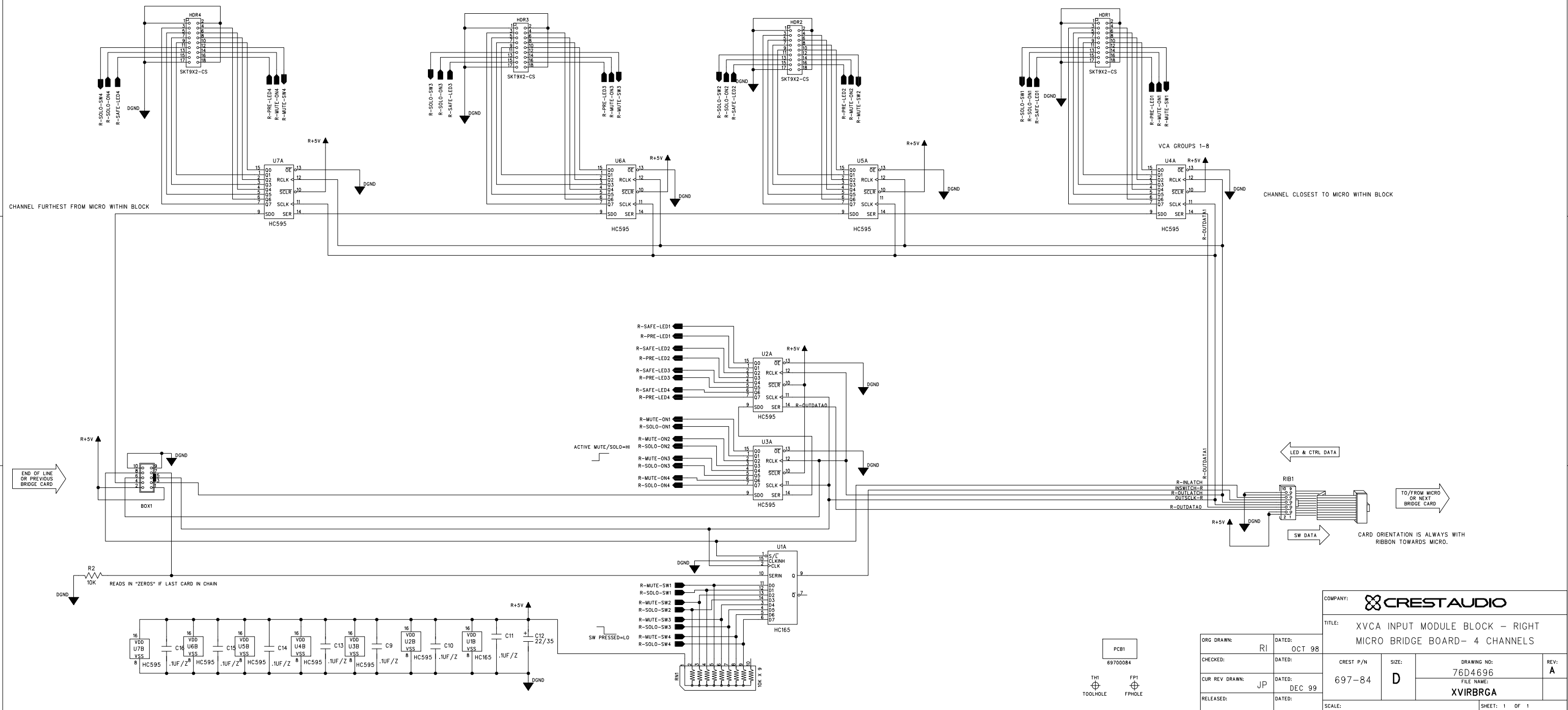
C

B

B

A

A



CHANNEL FURTHEST FROM MICRO WITHIN BLOCK

CHANNEL CLOSEST TO MICRO WITHIN BLOCK

END OF LINE OR PREVIOUS BRIDGE CARD

LED & CTRL DATA

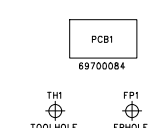
SW DATA

TO/FROM MICRO OR NEXT BRIDGE CARD

CARD ORIENTATION IS ALWAYS WITH RIBBON TOWARDS MICRO.

READS IN "ZEROS" IF LAST CARD IN CHAIN

COMPANY: CRESTAUDIO		TITLE: XVCA INPUT MODULE BLOCK - RIGHT MICRO BRIDGE BOARD- 4 CHANNELS	
ORG DRAWN: RI	DATED: OCT 98	CREST P/N: 697-84	SIZE: D
CUR REV DRAWN: JP	DATED: DEC 99	DRAWING NO: 76D4696	REV: A
RELEASED:	DATED:	FILE NAME: XVIRBGA	SCALE:
SHEET: 1 OF 1			



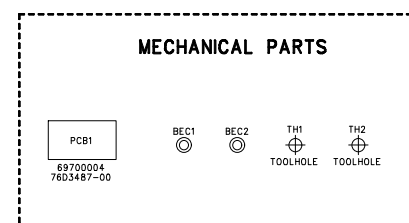
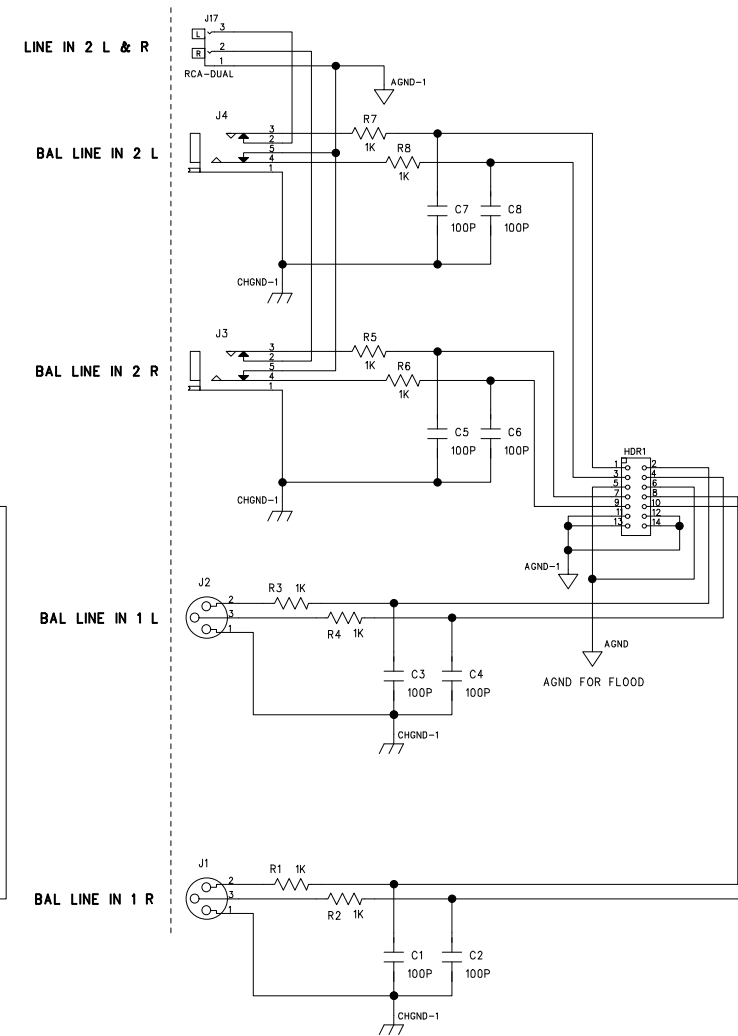
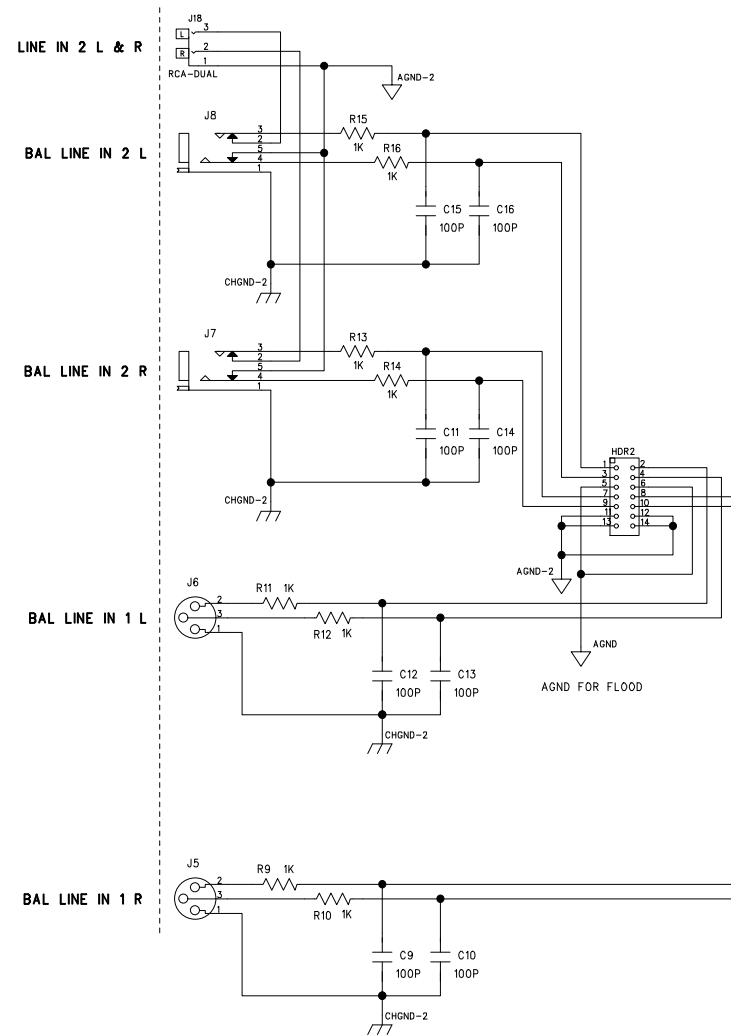
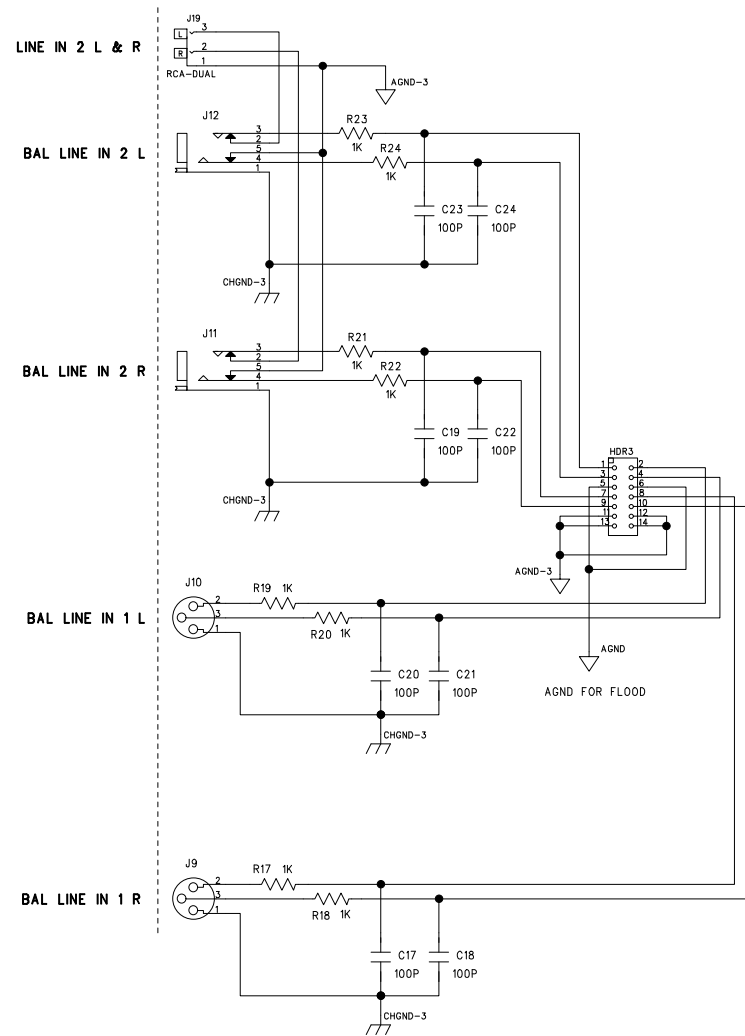
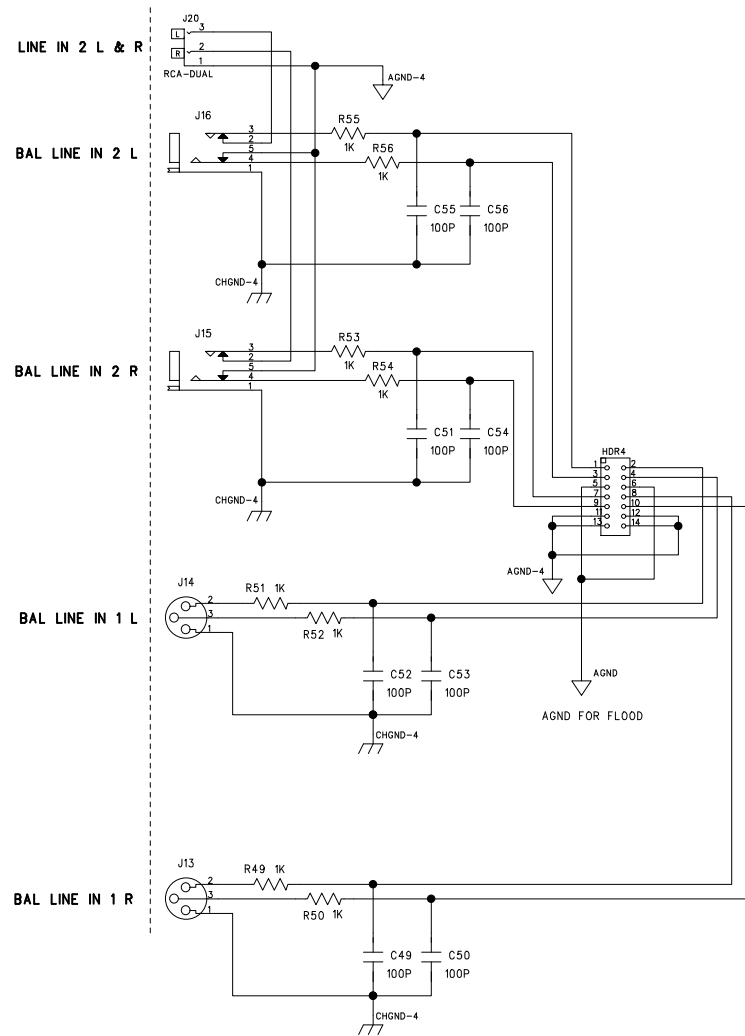
REVISION RECORD			
LTR	ECO NO:	APPROVED:	DATE:

MODULE 4

MODULE 3

MODULE 2

MODULE 1



ORG DRAWN: PSM		DATED: 9/97		COMPANY: CRESTAUDIO	
CHECKED:		DATED:		TITLE: X8 STEREO INPUT CONNECTOR PCB XVCA Stereo Input Connector PCB	
CUR REV DRAWN: PSM		DATED: 5/28/99		CODE: D	DRAWING NO: 76D3487
RELEASED:		DATED:		FILE NAME: X8IPSTC0.SCH	REV: 00
SCALE:				SHEET: 1 OF 1	

STEREO INPUT

6

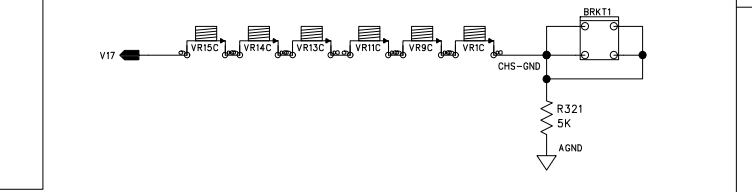
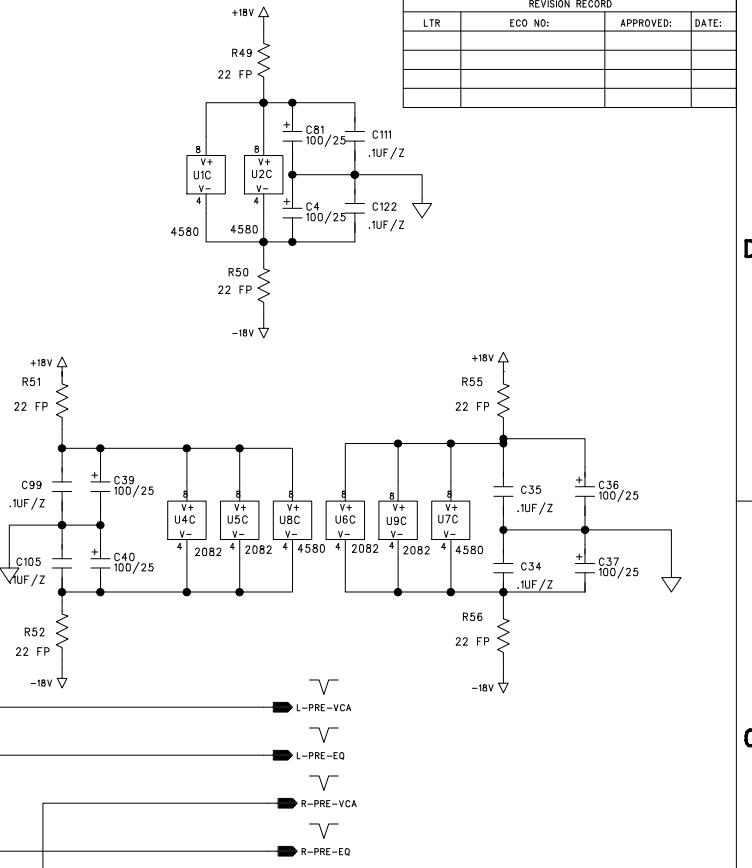
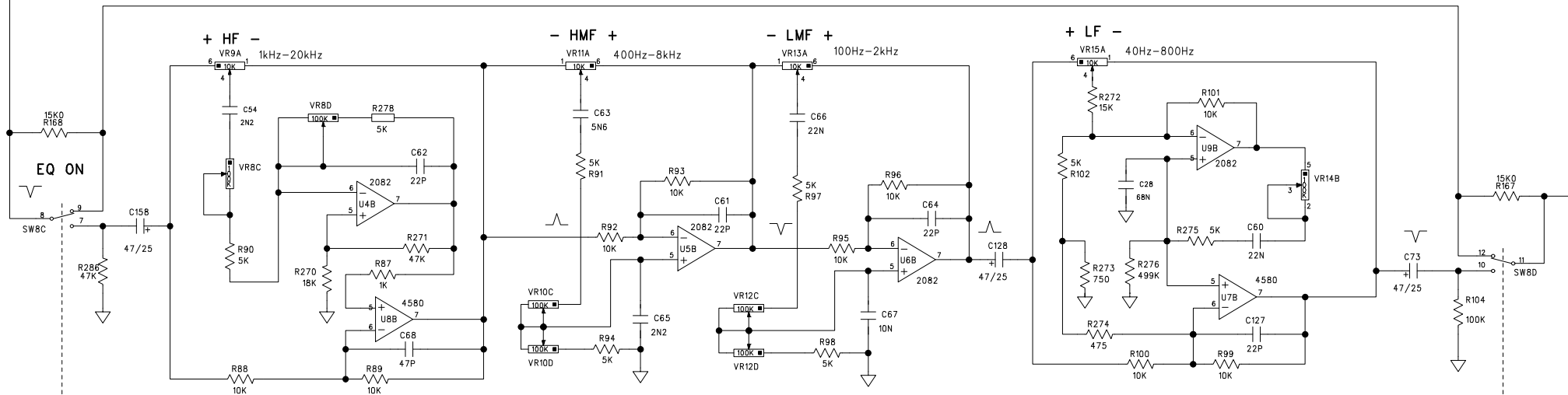
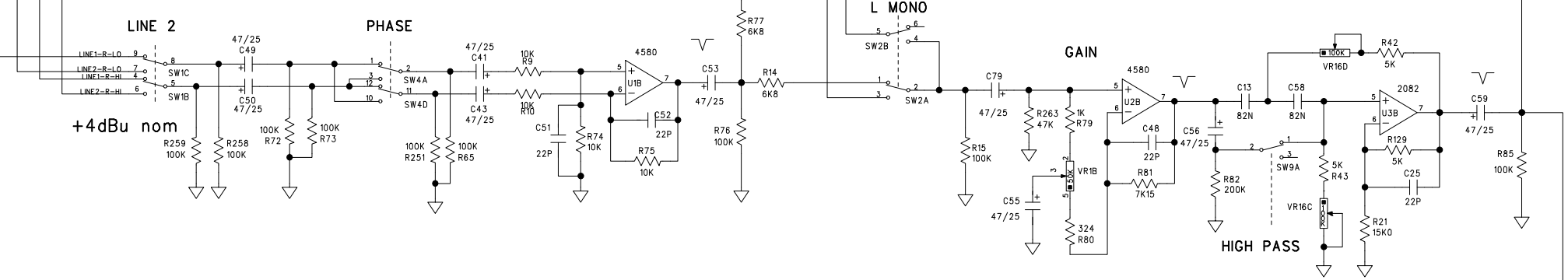
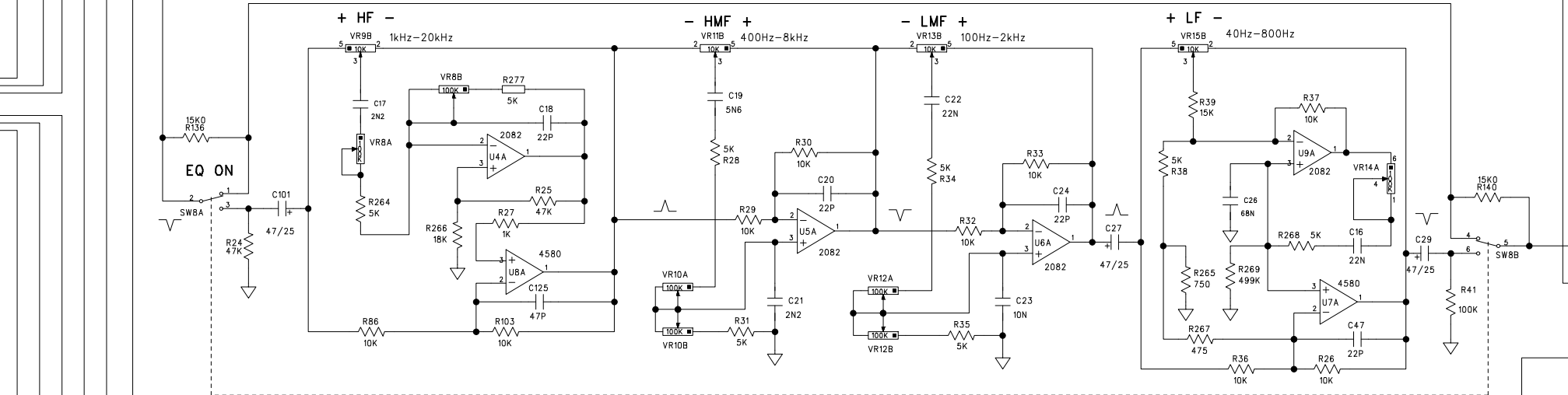
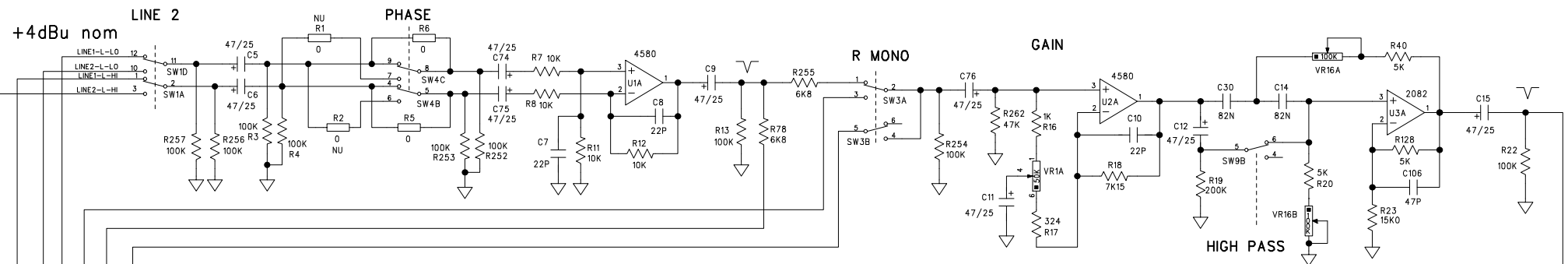
5

4

3

2

REVISION RECORD			
LTR	ECO NO:	APPROVED:	DATE:



COMPANY: CRESTAUDIO		TITLE: XVCA STEREO INPUT PCB	
ORG DRAWN: R1	DATED: OCT 98	CREST P/N: 697-64	SIZE: D
CHECKED: JP	DATED: 4/00	DRAWING NO: 76D4478	REV: D
CUR REV DRAWN: JP	DATED: 4/00	FILE NAME: XVIPSTMD.SCH	SCALE: 1 OF 6

D

D

C

C

B

B

A

A

HDR6
TO CONNECTOR CARD

6

5

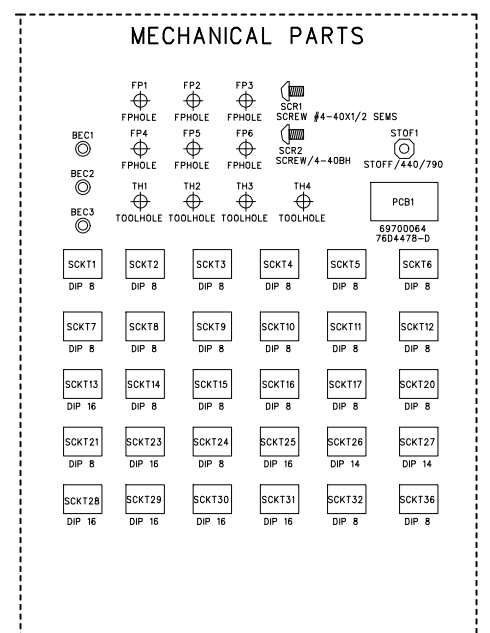
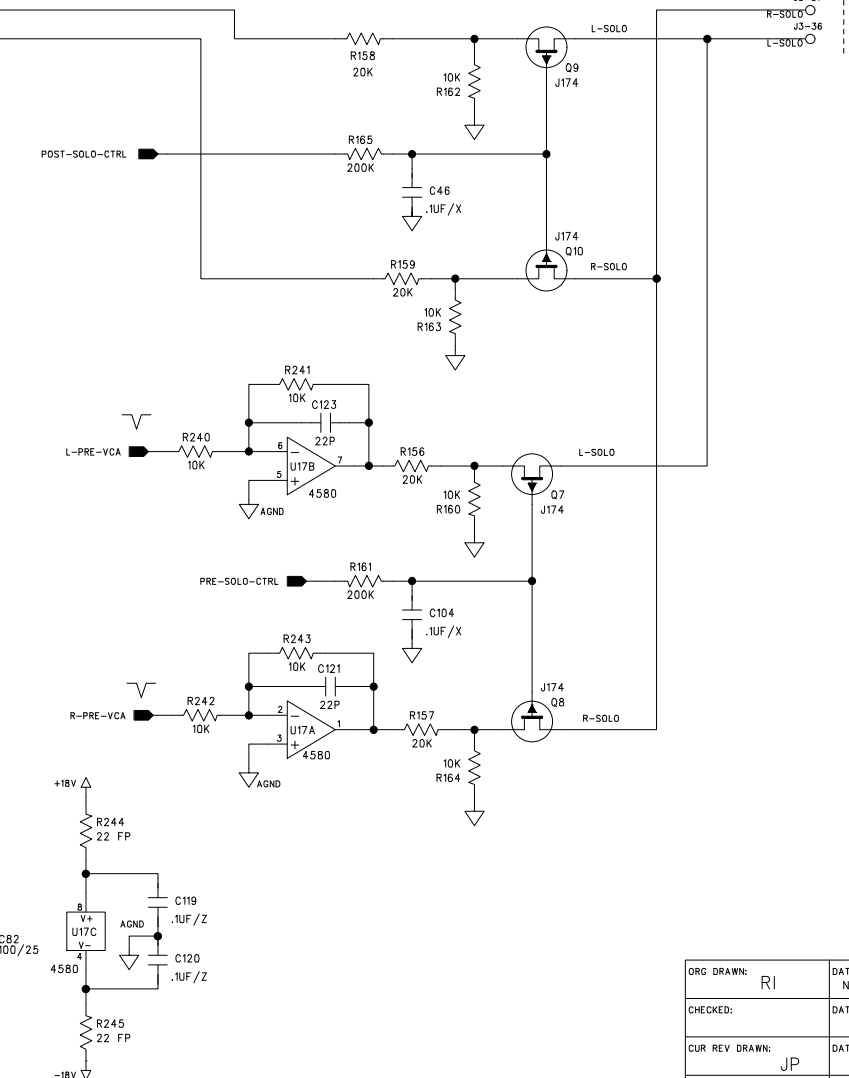
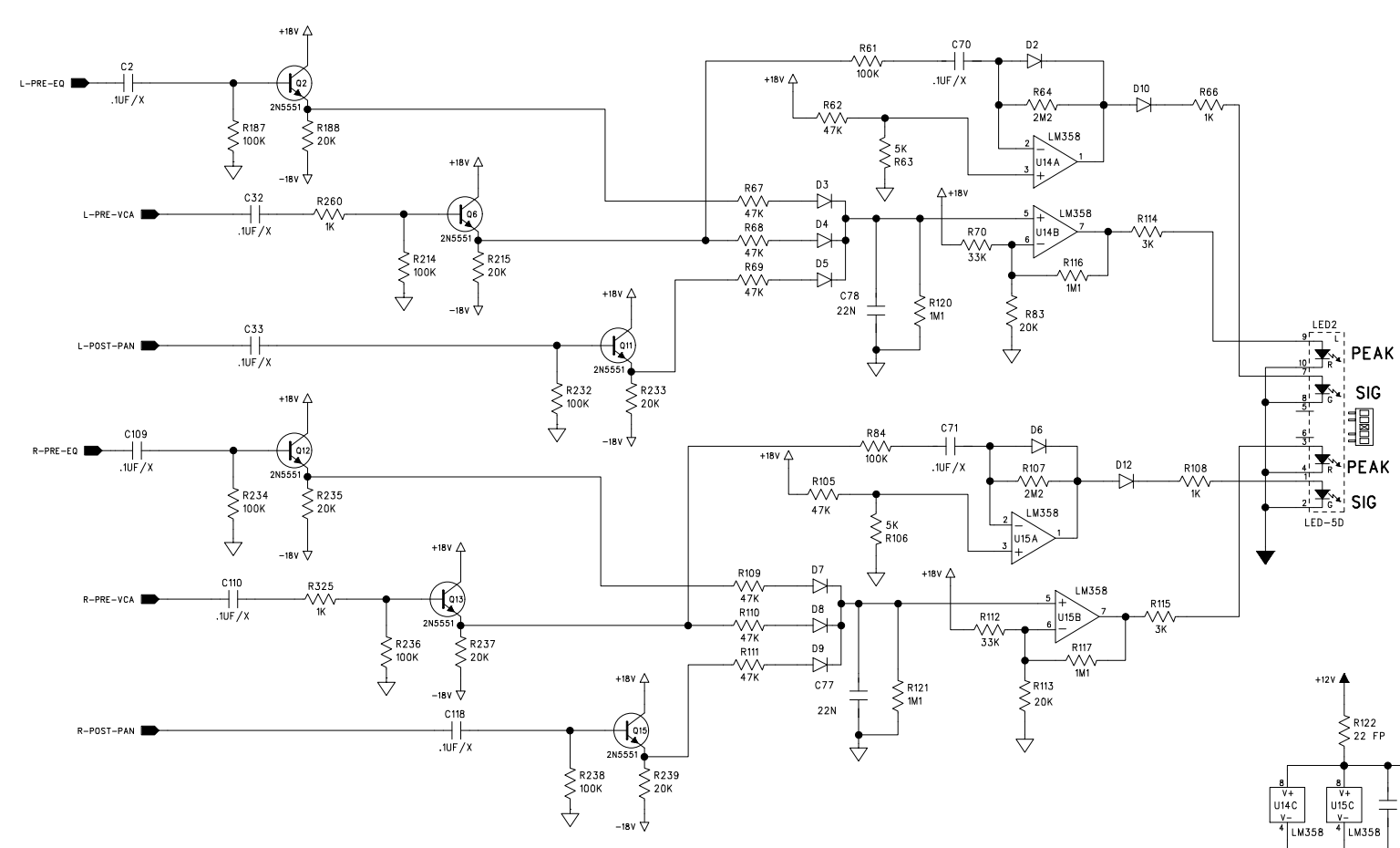
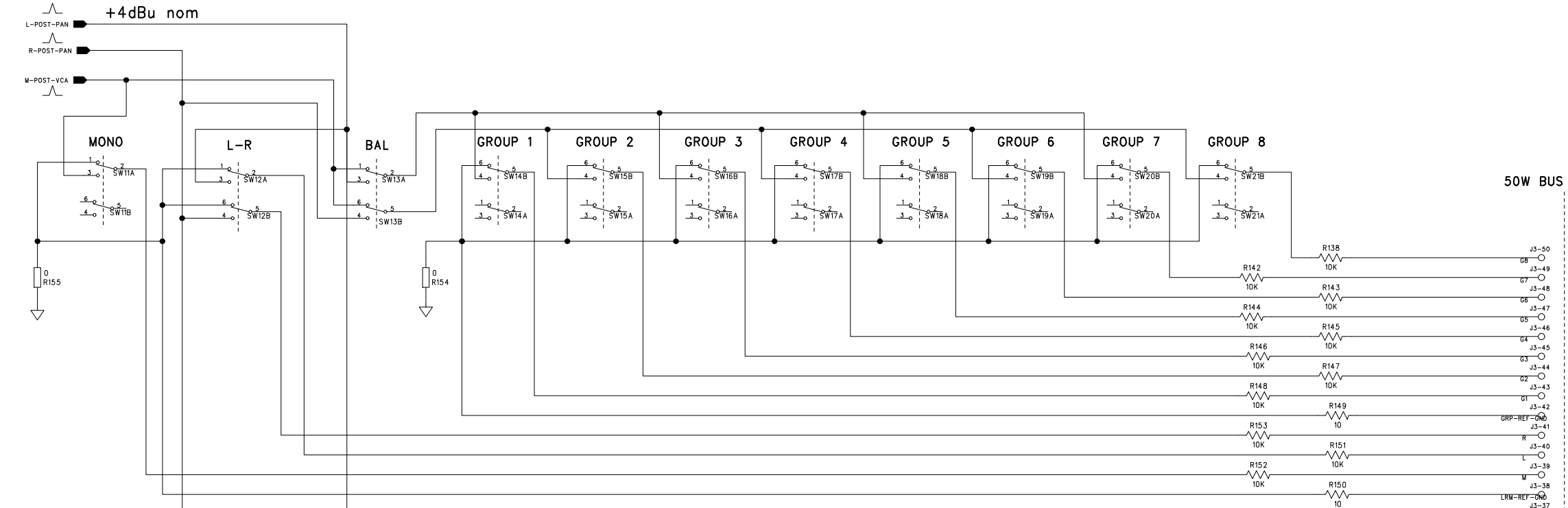
4

3

2

1

REVISION RECORD			
LTR	ECO NO:	APPROVED:	DATE:



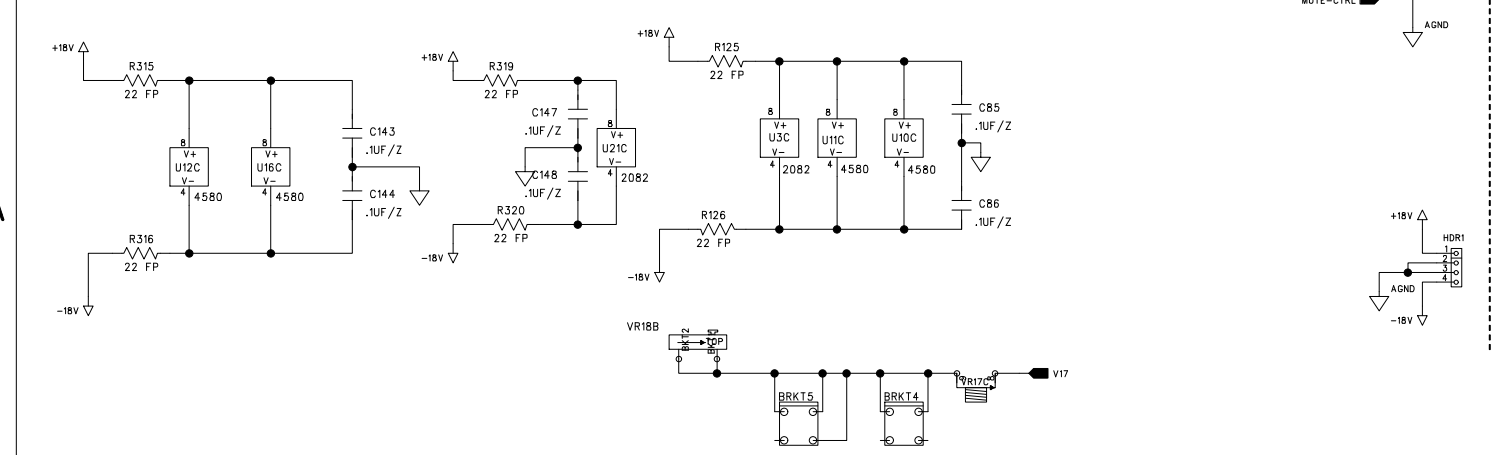
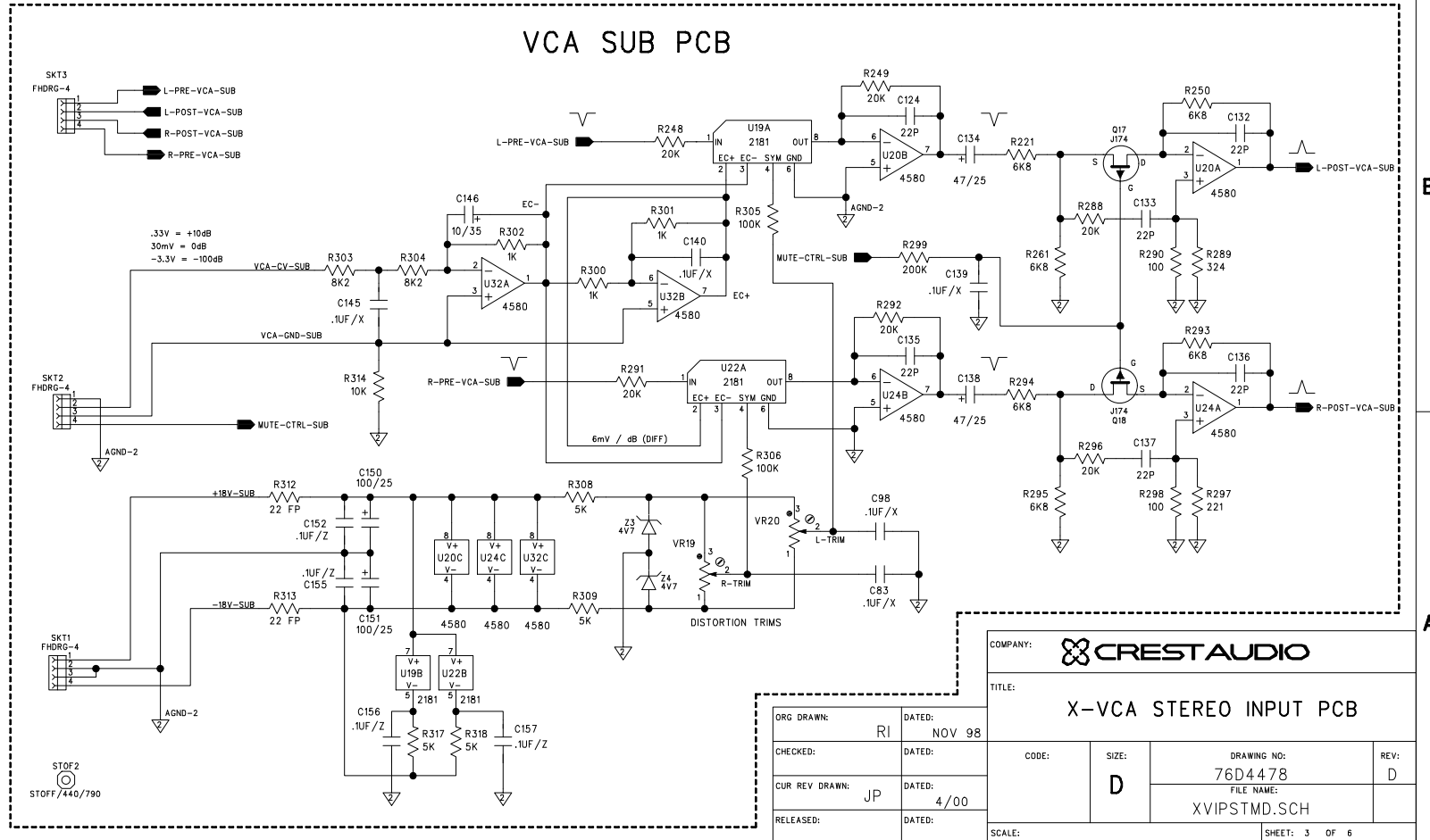
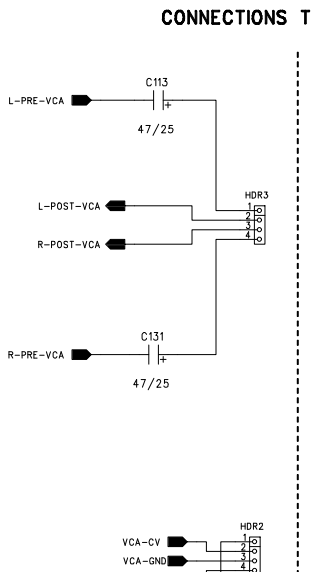
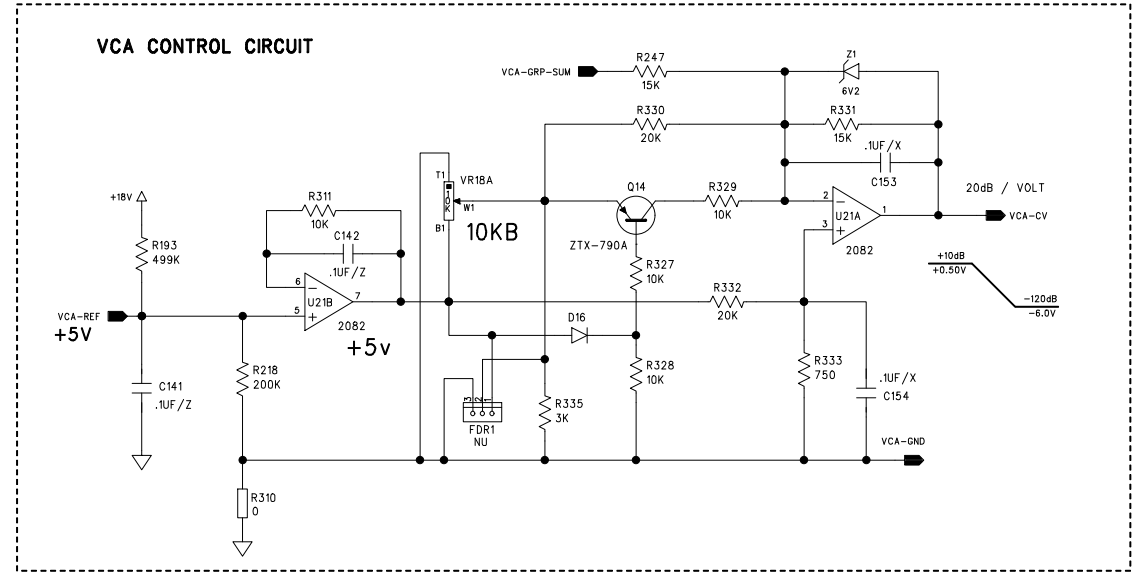
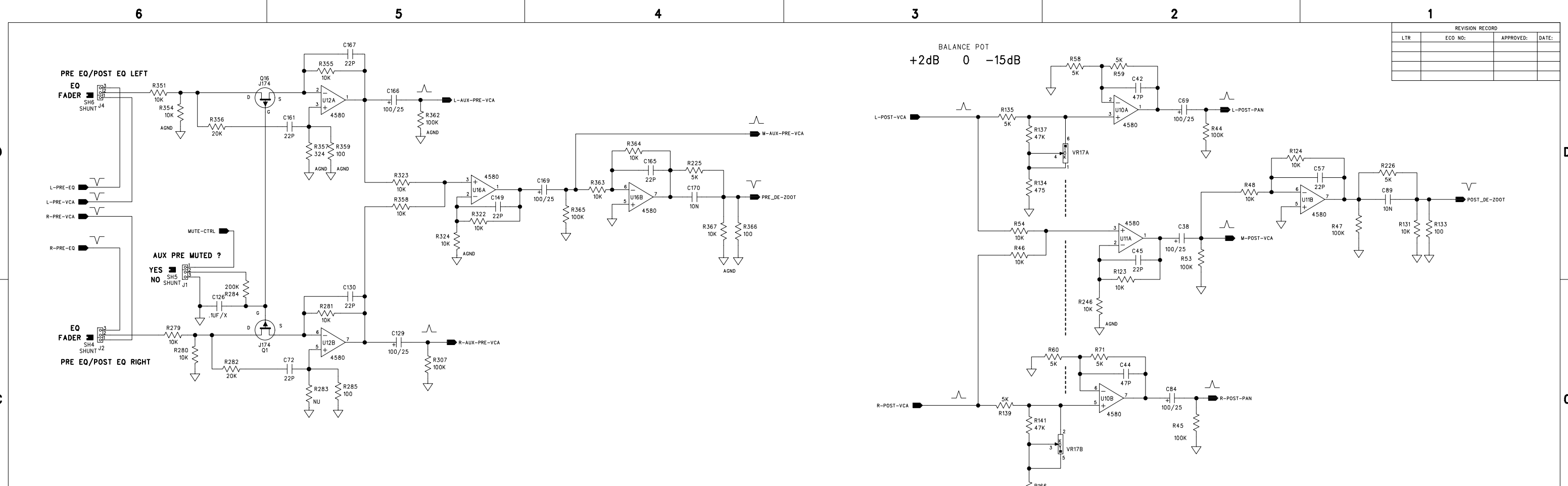
COMPANY: **CRESTAUDIO**

TITLE: **X-VCA STEREO INPUT PCB**

ORG DRAWN: R1	DATED: NOV98
CHECKED:	DATED:
CUR REV DRAWN: JP	DATED: 4/00
RELEASED:	DATED:

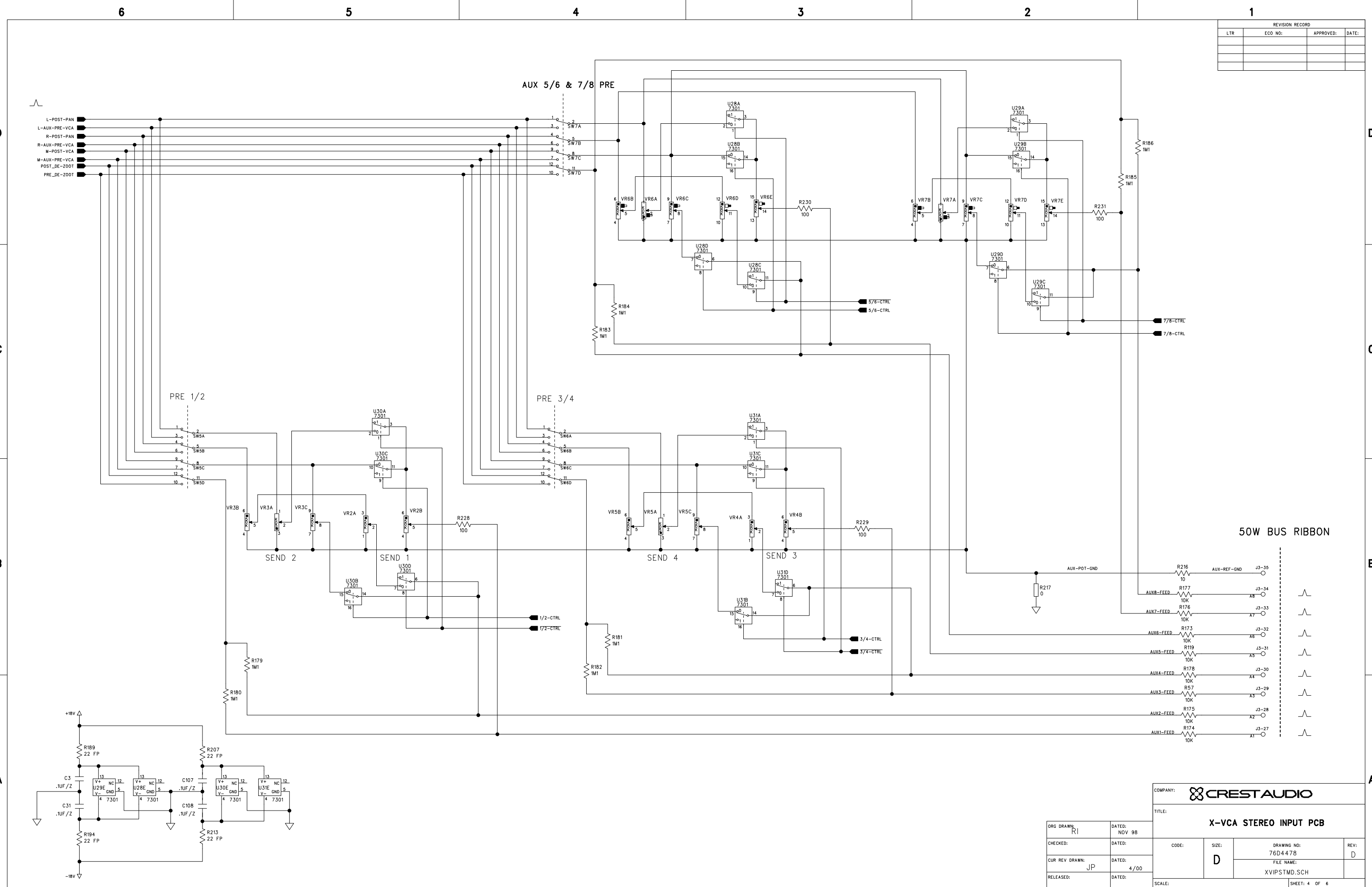
CODE:	SIZE: D	DRAWING NO: 76D4478	REV: D
FILE NAME: XVIPSTMD.SCH		SHEET: 2 OF 6	

REVISION RECORD			
LTR	ECO NO:	APPROVED:	DATE:



COMPANY: CRESTAUDIO			
TITLE: X-VCA STEREO INPUT PCB			
ORG DRAWN: RI	DATED: NOV 98	CODE: D	SIZE: 76D4478
CHECKED: JP	DATED: 4/00	DRAWING NO: 76D4478	REV: D
CUR REV DRAWN: JP	DATED: 4/00	FILE NAME: XVIPSTMD.SCH	SCALE: 1:1
RELEASED:	DATED:	SHEET: 3 OF 6	

REVISION RECORD			
LTR	ECO NO:	APPROVED:	DATE:



COMPANY: **CRESTAUDIO**

TITLE: **X-VCA STEREO INPUT PCB**

ORG DRAWN: R1	DATED: NOV 98	CODE:	SIZE: D	DRAWING NO: 76D4478	REV: D
CHECKED:	DATED:			FILE NAME: XVIPSTMD.SCH	
CUR REV DRAWN: JP	DATED: 4/00				
RELEASED:	DATED:				

SCALE: SHEET: 4 OF 6

6

5

4

3

2

1

REVISION RECORD			
LTR	ECO NO:	APPROVED:	DATE:

D

D

C

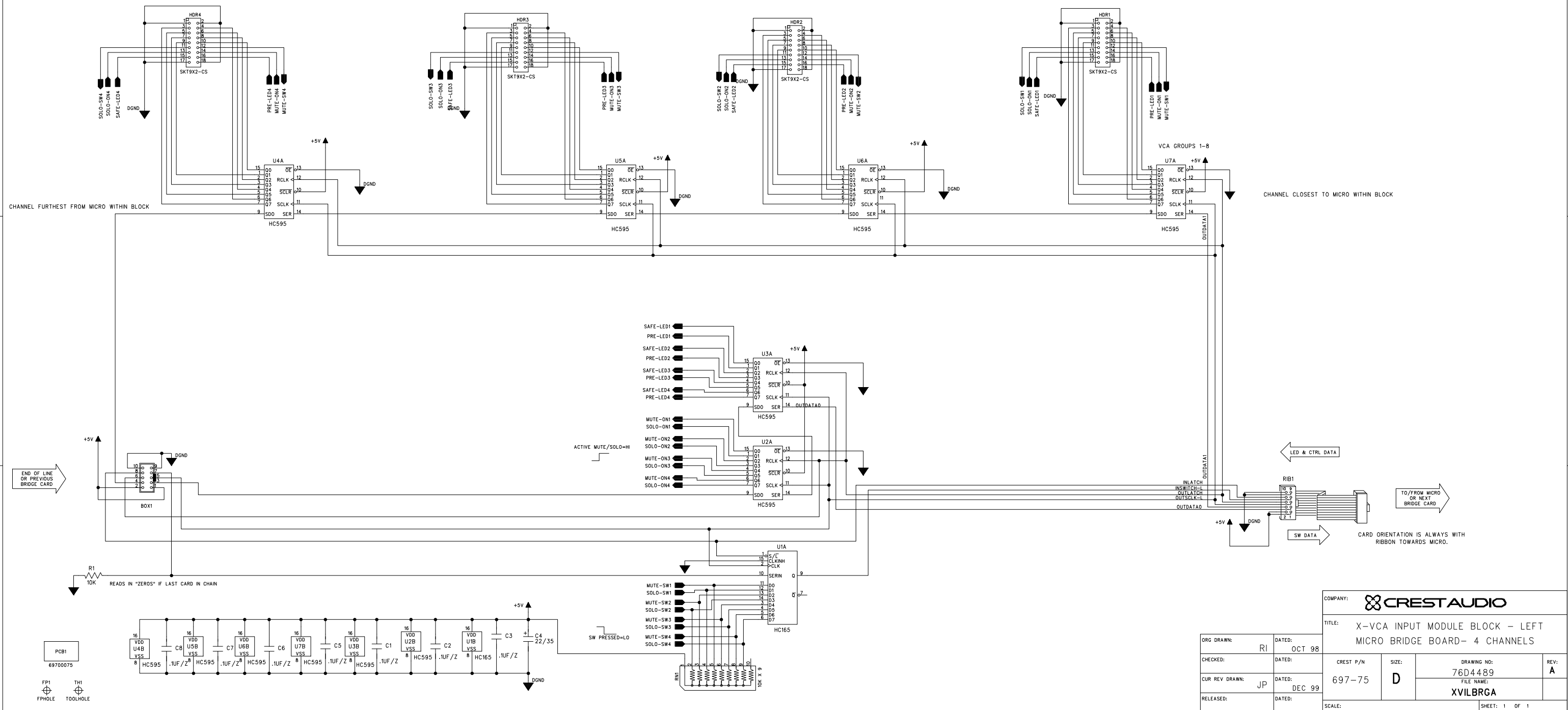
C

B

B

A

A



COMPANY: CRESTAUDIO		TITLE: X-VCA INPUT MODULE BLOCK - LEFT MICRO BRIDGE BOARD- 4 CHANNELS	
ORG DRAWN: RI	DATED: OCT 98	CREST P/N: 697-75	SIZE: D
CUR REV DRAWN: JP	DATED: DEC 99	DRAWING NO: 76D4489	REV: A
RELEASED:	DATED:	FILE NAME: XVILBRGA	SCALE:
SHEET: 1 OF 1			

REVISION RECORD			
LTR	ECD NO:	APPROVED:	DATE:

D

D

C

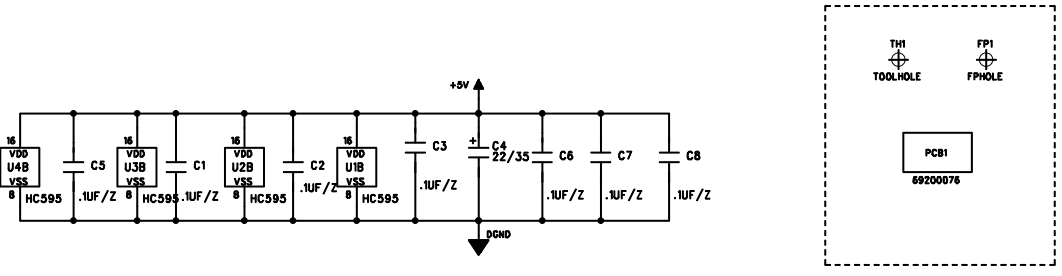
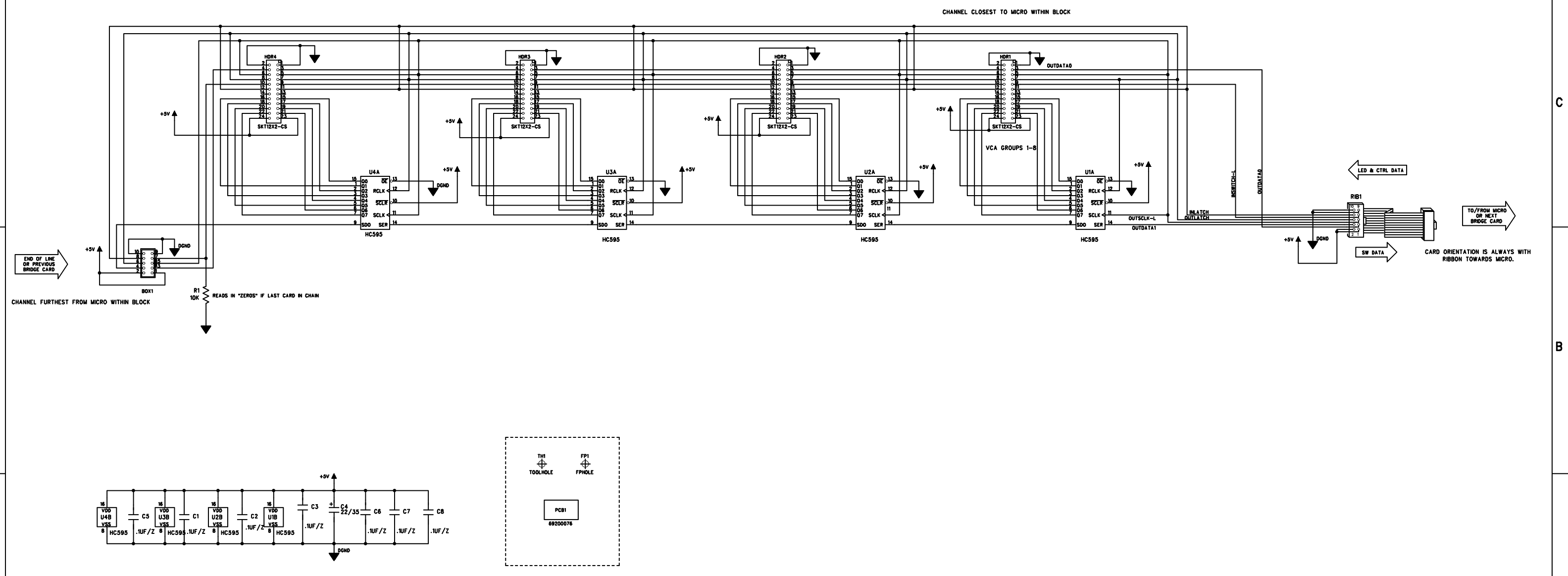
C

B

B

A

A



COMPANY: CRESTAUDIO	
TITLE: X-VCA GROUP MODULE BLOCK MICRO BRIDGE BOARD- 4 CHANNELS	
ORG DRAWN: RI	DATED: DEC 98
CHECKED:	DATED:
CUR REV DRAWN: JP	DATED: DEC 99
RELEASED:	DATED:
CREST P/N: 697-76	SIZE: D
DRAWING NO: 76D4490	REV: A
FILE NAME: XVGPBRGA	
SCALE:	SHEET: 1 OF 1

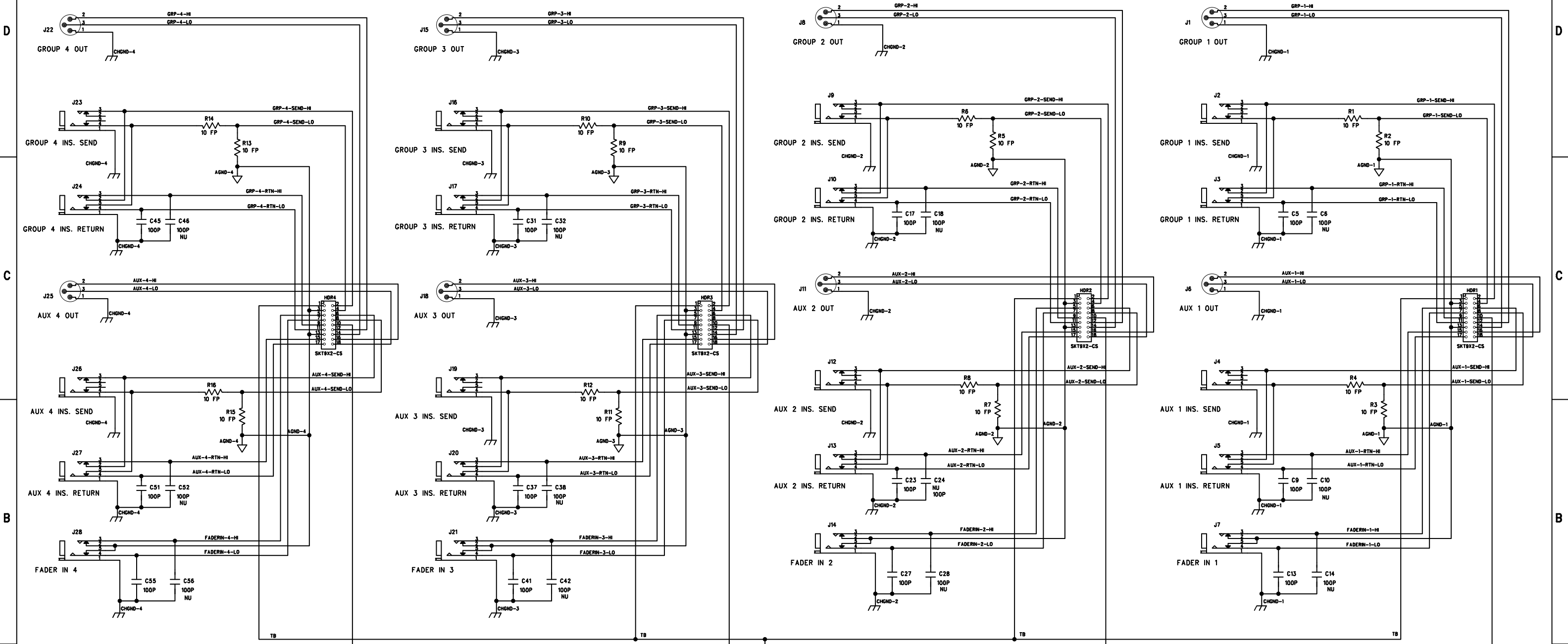
REVISION RECORD			
LTR	ECO NO.	APPROVED:	DATE:

MODULE 4

MODULE 3

MODULE 2

MODULE 1

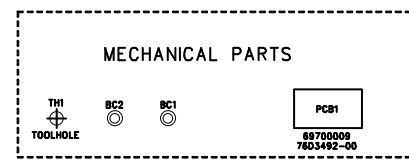


REVISION RECORD

REV LEVEL	ASMBLY LEVEL	DATE	ECO	ENG.	DESCRIPTION
C	B	10/30/98	3112	PSM	- CHANGED ALL RESISTORS FROM 22R-FP TO 10R-FP - FOR PSEUDO-BALANCED CIRCUITS- MUST MATCH IMPEDANCES ON EACH LEG. - ALSO ELIMINATED XFORMER TIE-IN POINTS (JMPS) ON BALANCED LEGS.
00	A	6/8/99	3374	PSM	- CHANGED ALL 1/4" JACKS FROM REAN M505-45G - SWITCHCRAFT TRS-11J1393

TO GROUP CONN 5-8

MECHANICAL PARTS



COMPANY: CRESTAUDIO

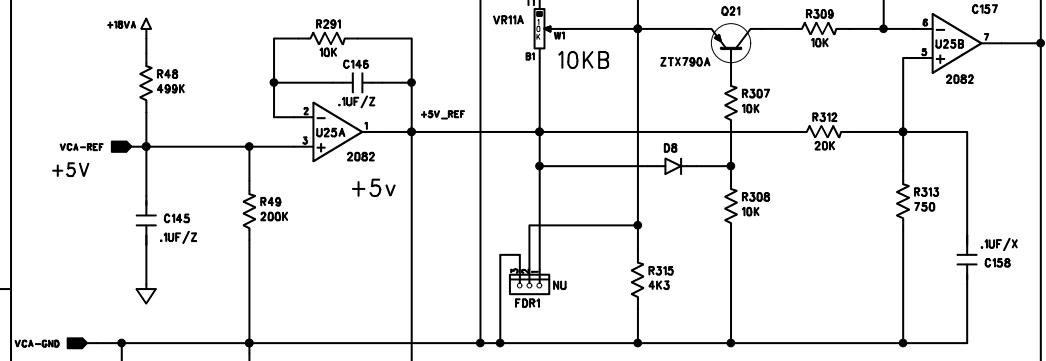
TITLE: X8 GROUP-HS 1-4 CONN
XVCA Group 1-4 Connector

DRAWN: PSM	DATE: 12/18/97
CHECKED: JRP	DATE: 6/2/99
CUR. REV. DRAWN: JRP	DATE: 6/2/99
RELEASED:	DATE:

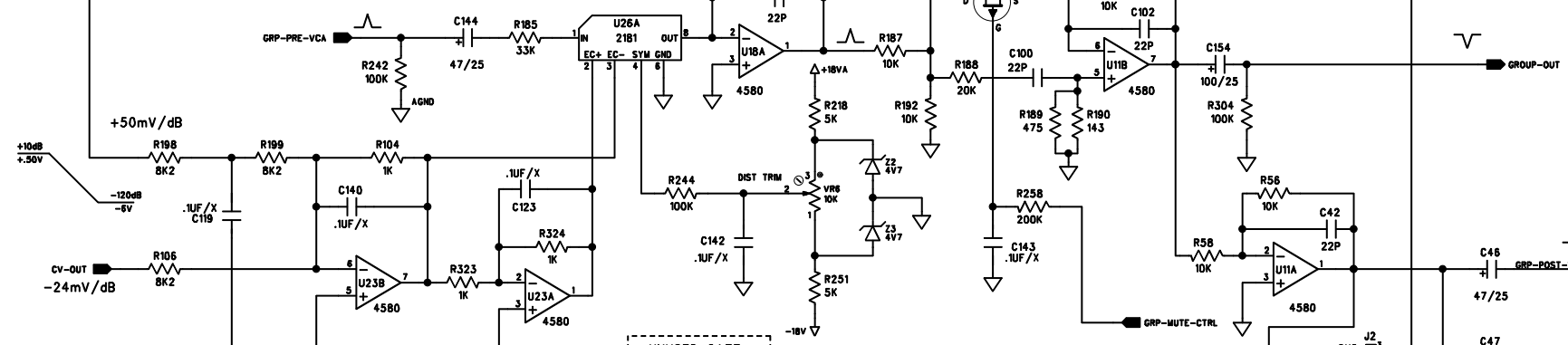
CODE:	SIZE:	DRAWING NO: 76D3492	REV: 00
FILENAME: X8G1HSC0.SCH		SCALE: 1 OF 1	

REVISION RECORD			
LTR	ECO NO:	APPROVED:	DATE:

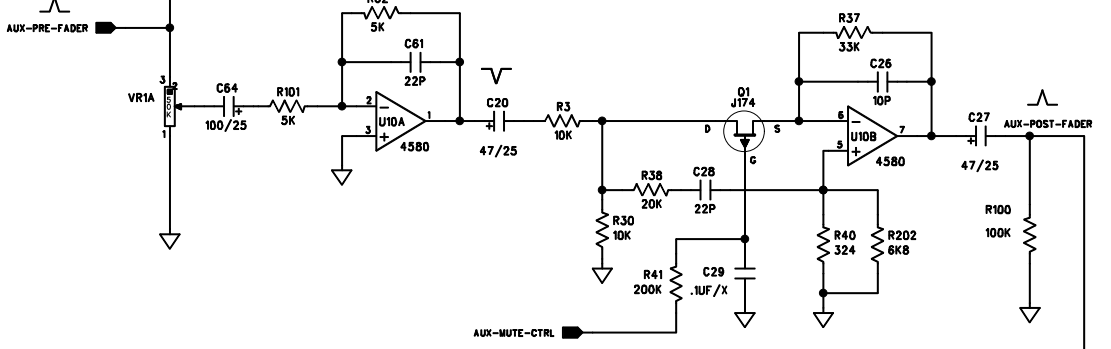
GROUP VCA FADER



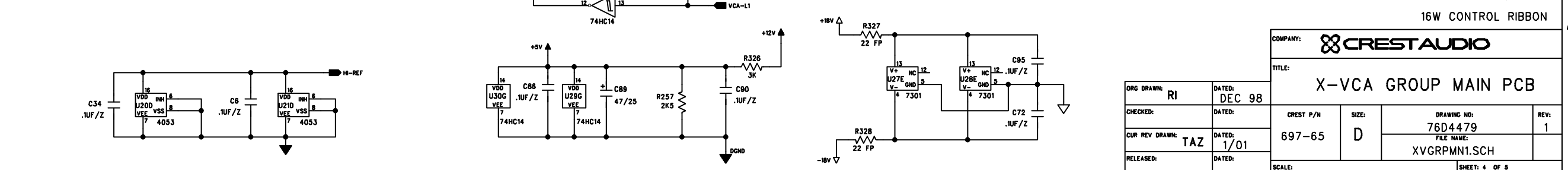
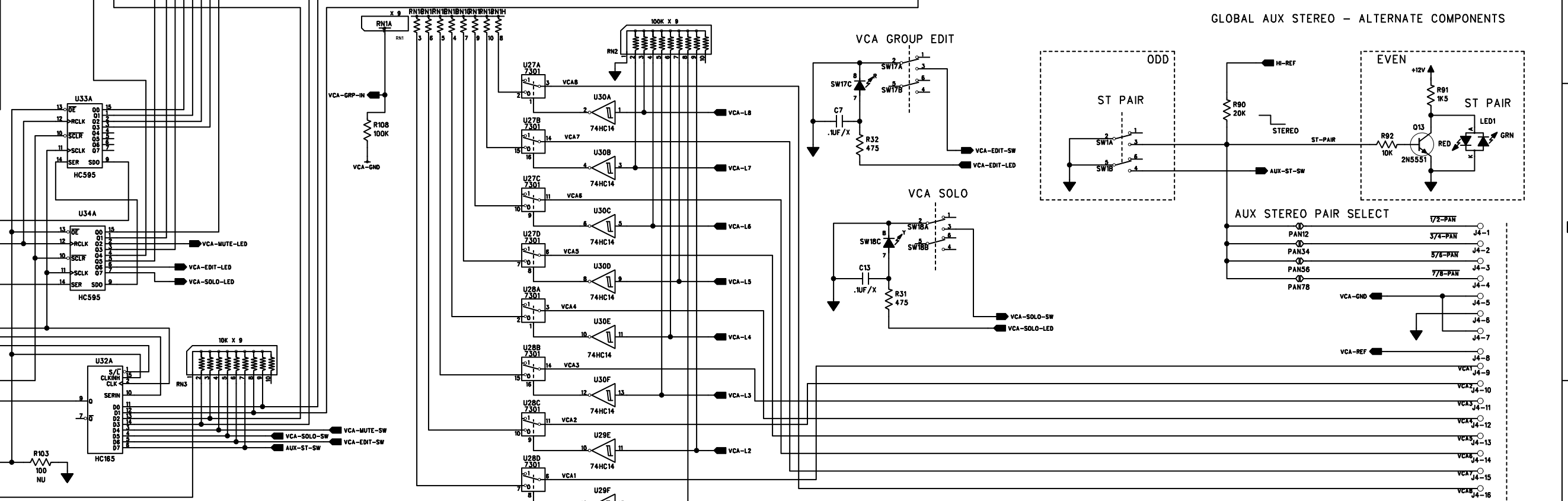
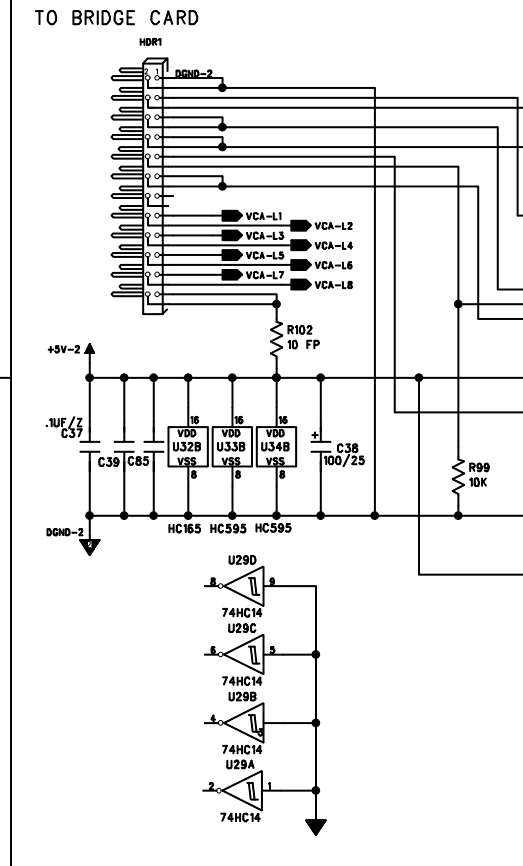
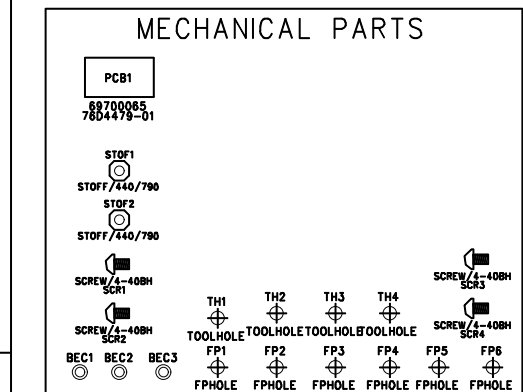
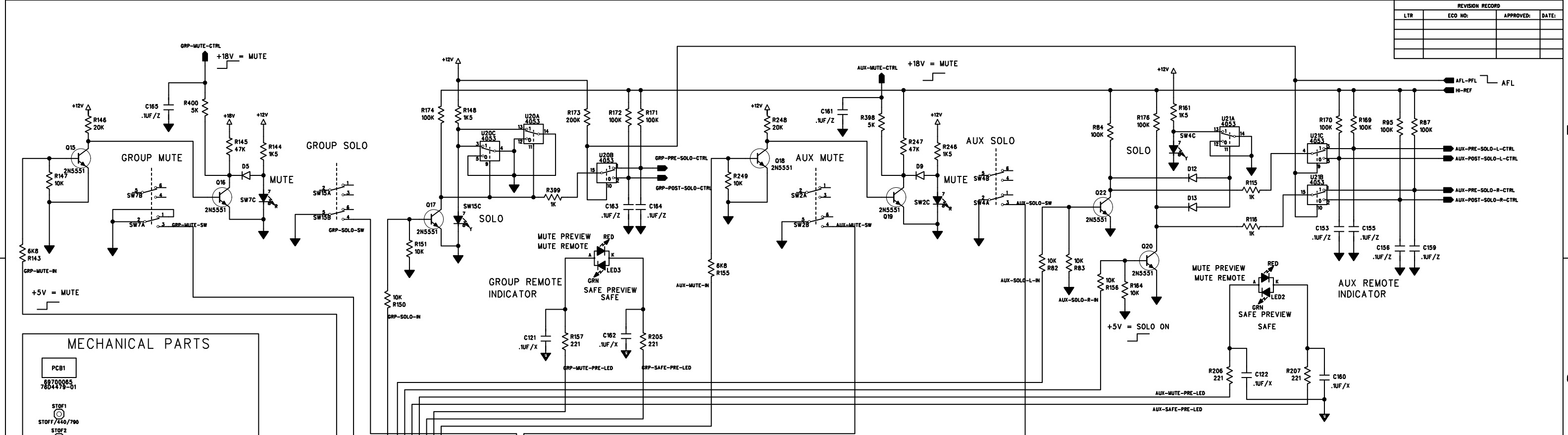
GROUP VCA SECTION



AUX MASTER



REVISION RECORD			
LTR	ECO NO:	APPROVED:	DATE:



COMPANY: **CRESTAUDIO**

TITLE: **X-VCA GROUP MAIN PCB**

ORG DRAWN: RI DATED: DEC 98

CHECKED: TAZ DATED: 1/01

RELEASED: DATED:

CREST P/N: 697-65 SIZE: D DRAWING NO: 76D4479 REV: 1

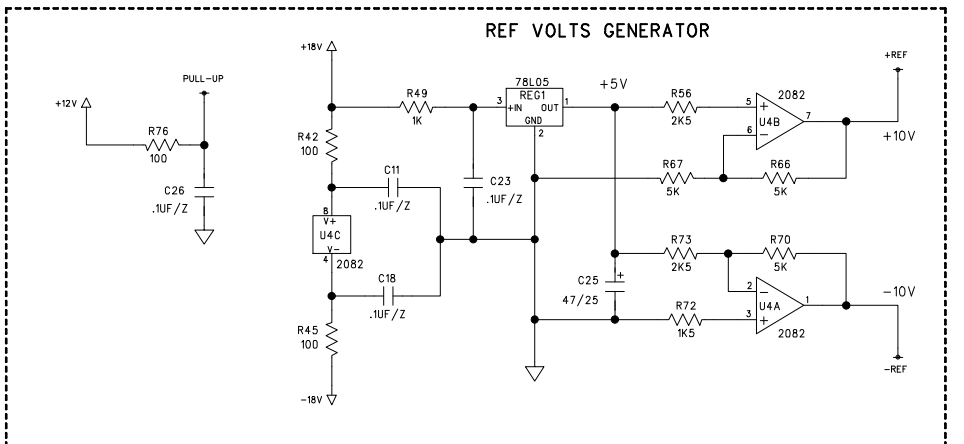
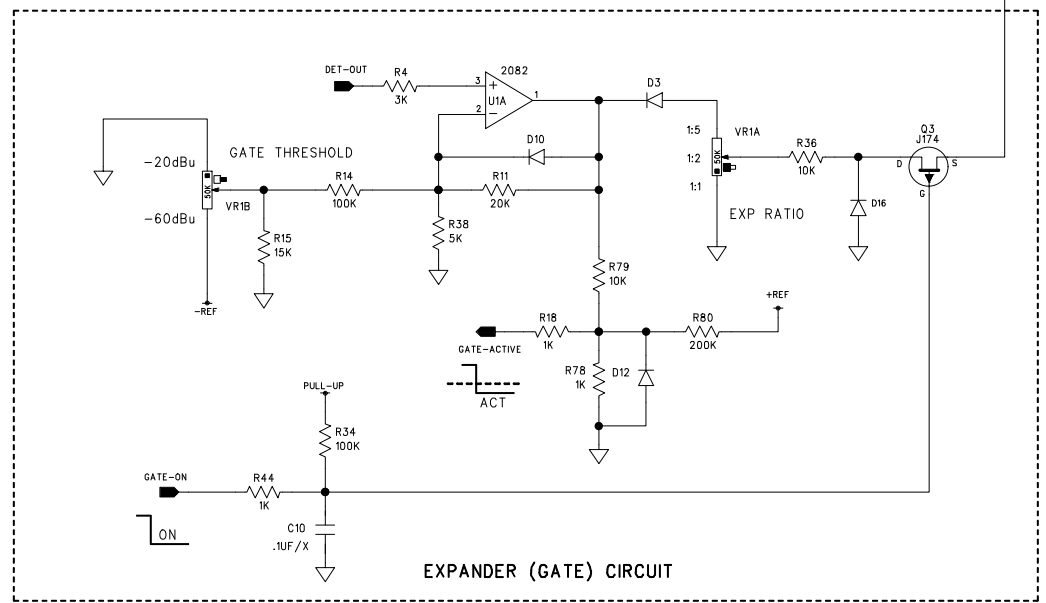
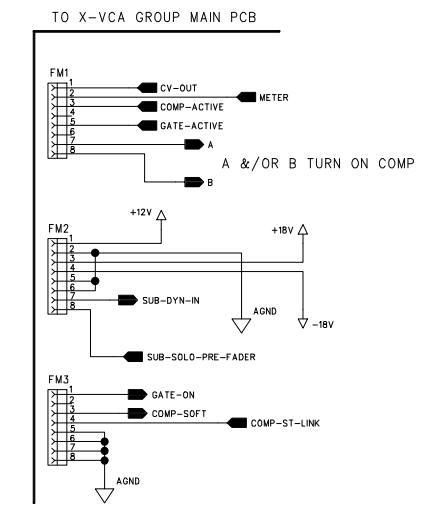
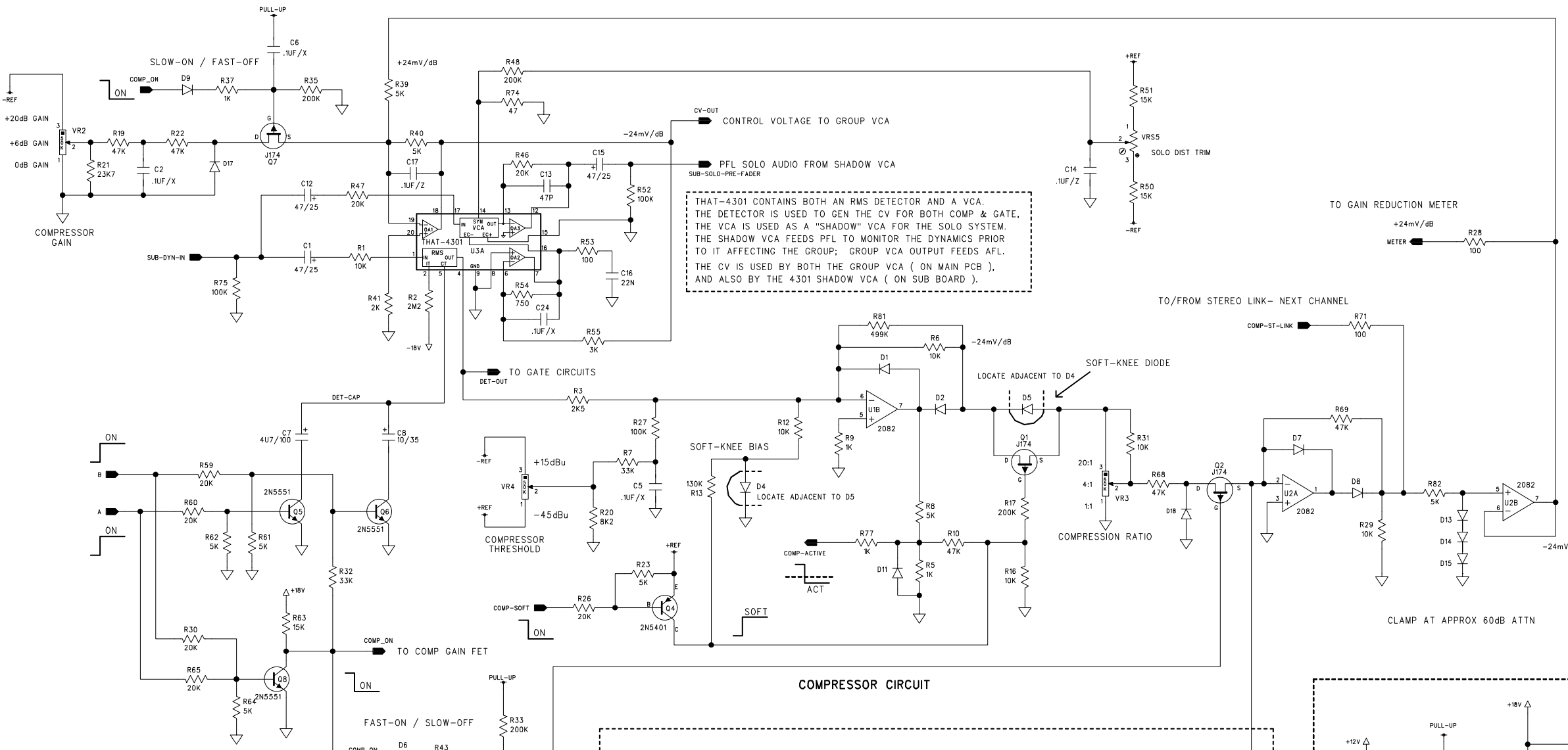
FILE NAME: XVGRPMN1.SCH SHEET: 4 OF 8

REVISION RECORD			
LTR	ECD NO:	APPROVED:	DATE:

LOGIC CHART FOR COMPRESSOR MODES

	A ACTIVE HI	B ACTIVE HI	COMP-ON ACTIVE LO	C7 USED?	C8 USED?
VOX	+12V	+12V	0 V	Y	Y
AUTO	0 V	+12V	0 V	N	Y
PERC	+12V	0 V	0 V	Y	N
COMP OFF	0 V	0 V	+12V	N	Y (FOR GATE)
GATE ON (ALONE)	0 V	0 V	+12V	N	Y

TIMING CAPS C7 & C8 ARE SWITCHED INTO RMS DET CIRCUIT BASED ON STATE OF A & B- COMPRESSOR SELECT SWITCHES. DEFAULT GATE TIMING IS C8 ONLY SWITCHED IN- AUTO SPEED IF BOTH COMP & GATE ON, GATE FOLLOWS COMP TIMING.



MECHANICAL PARTS

TH2 TOOLHOLE	PCB1 69700074 76D4488-B	TH1 TOOLHOLE
SK11 DIP 8	SKT2 DIP 8	SKT4 DIP 8 SOCKET20/300
SKT3	SKT1	SKT5
STOFF2 STOFF/440/790	STOFF1 STOFF/440/790	

ORG DRAWN: RI	DATE: DEC 98
CHECKED:	DATE:
CUR REV DRAWN: JP	DATE: MAR 00
RELEASED:	DATE:

COMPANY: **CRESTAUDIO**

TITLE: **X-VCA GROUP DYNAMICS SUB PCB**

CODE:	SIZE: D	DRAWING NO: 76D4488-B	REV: B
		FILE NAME: XVGRPSBB.SCH	

SCALE: SHEET: 1 OF 2

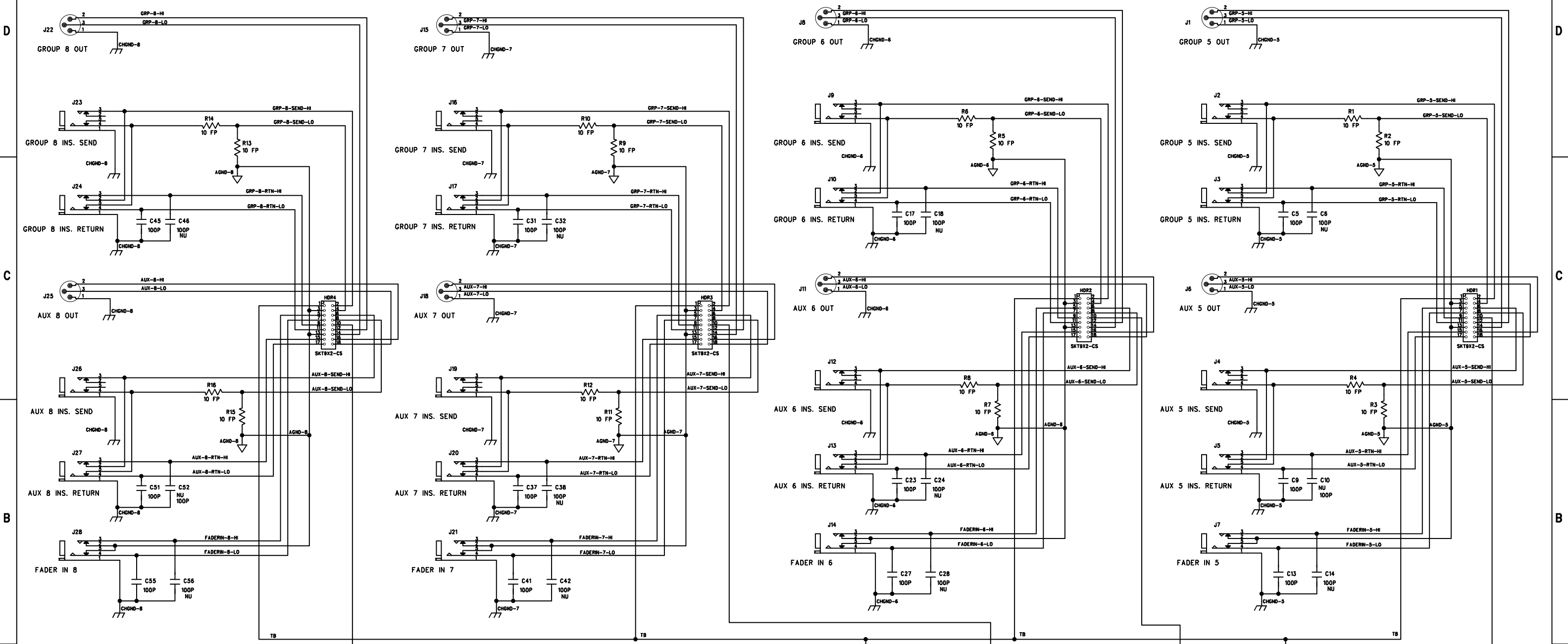
REVISION RECORD			
LTR	ECO NO.	APPROVED:	DATE:

MODULE 8

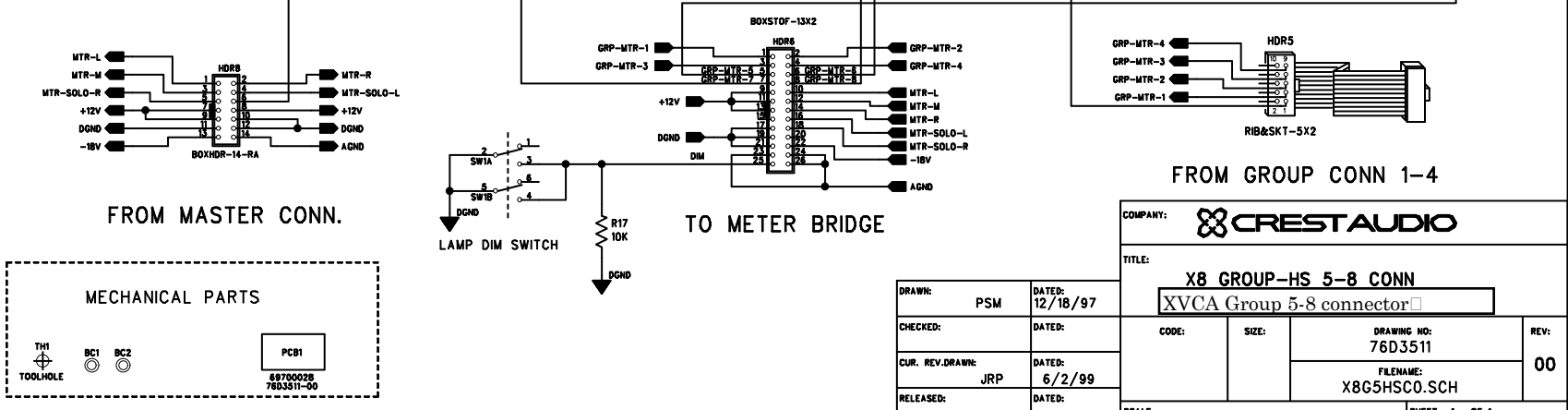
MODULE 7

MODULE 6

MODULE 5



REVISION RECORD					
REV LEVEL	ASMBLY LEVEL	DATE	ECO	ENG.	DESCRIPTION
C	B	10/30/98	3112	PSM	- CHANGED ALL RESISTORS FROM 22R-FP TO 10R-FP - FOR PSEUDO-BALANCED CIRCUITS- MUST MATCH IMPEDANCES ON EACH LEG. ALSO ELIMINATED XFORMER TIE-IN POINTS (JMPS) ON BALANCED LEGS.
00	A	6/8/99	3374	PSM	- CHANGED ALL 1/4" JACKS FROM REAN M505-45G - SWITCHCRAFT TRS-11J1393



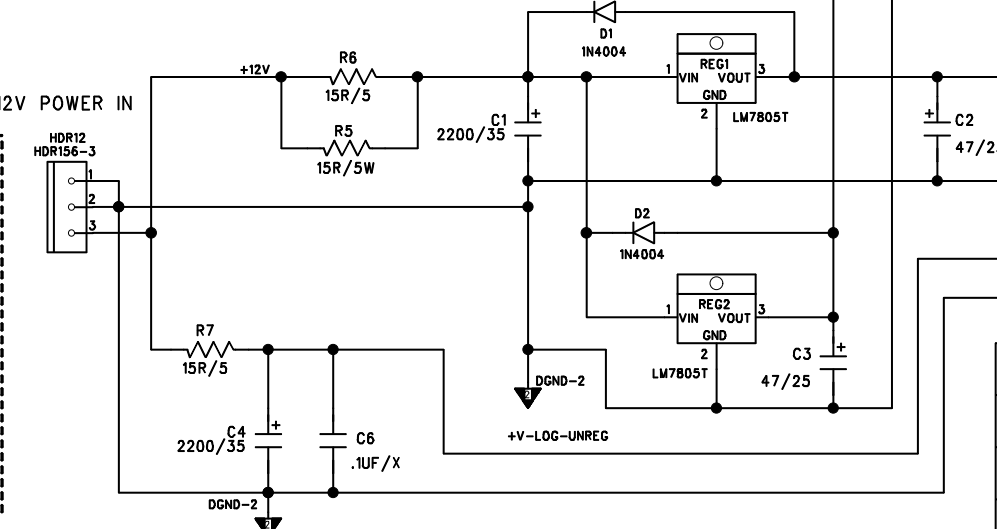
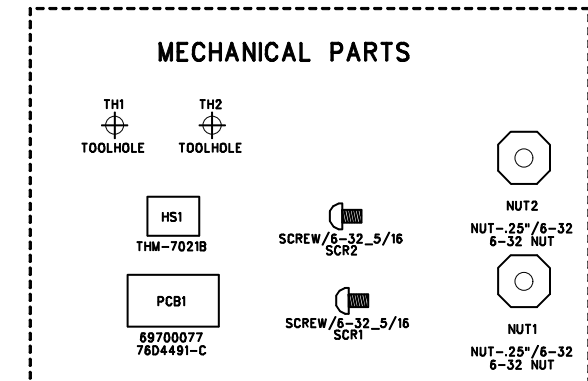
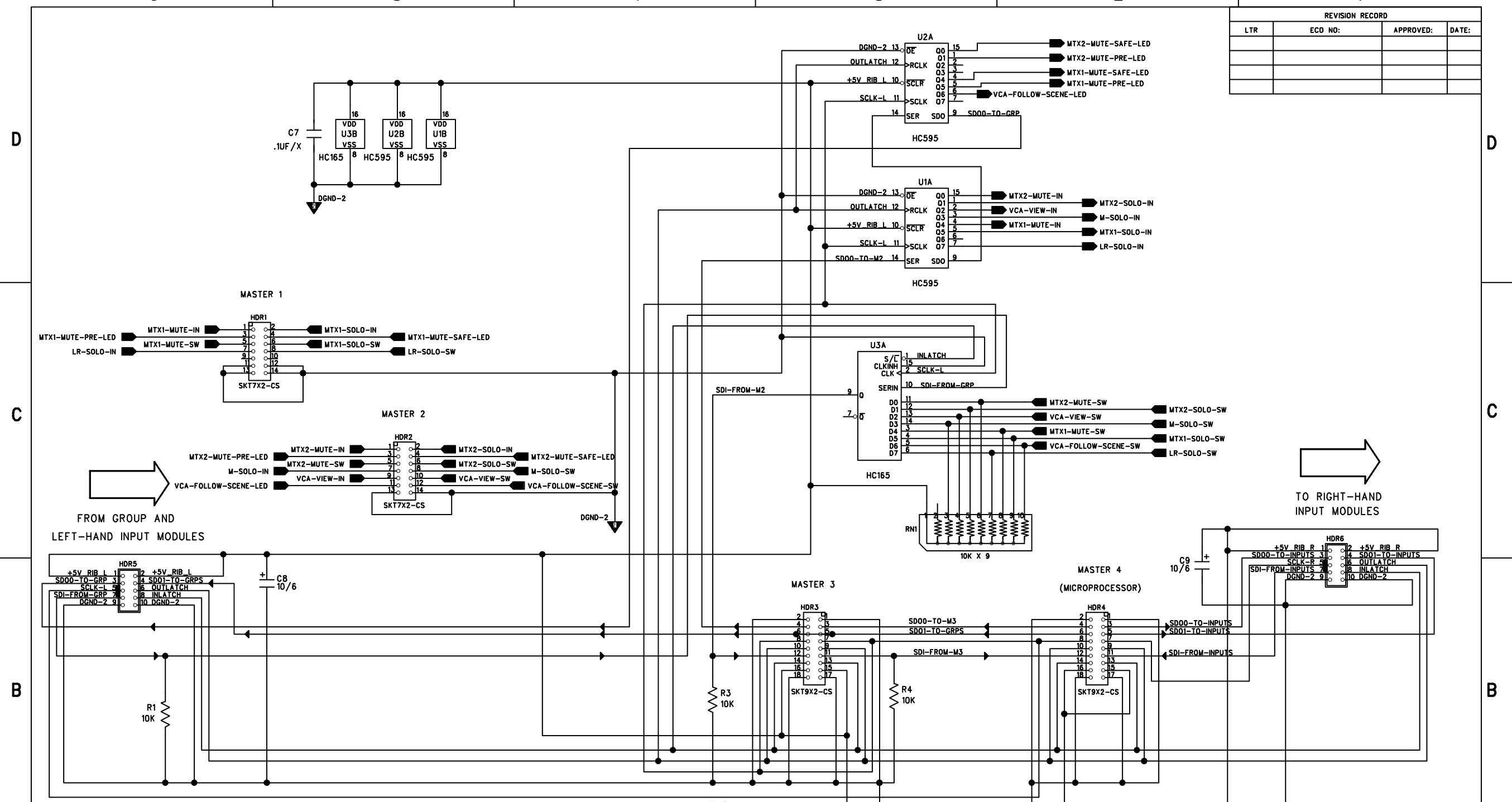
DRAWN: PSM		DATE: 12/18/97	
CHECKED: JRP		DATE: 6/2/99	
CUR. REV. DRAWN: JRP		DATE:	
RELEASED:		DATE:	

COMPANY: CREST AUDIO			
TITLE: X8 GROUP-HS 5-8 CONN			
XVCA Group 5-8 connector			
CODE:	SIZE:	DRAWING NO: 76D3511	REV: 00
FILENAME: X8G5HSC0.SCH			
SCALE:	SHEET: 1 OF 1		

MICRO INTERFACE

6 5 4 3 2 1

REVISION RECORD			
LTR	ECD NO:	APPROVED:	DATE:



COMPANY: **CREST AUDIO**

TITLE: **XVCA MASTER MICRO BRIDGE PCB**

DRAWN: RI	DATED: JAN 99	CREST P/N 697-77	SIZE: C	DRAWING NO: 76D4491	REV: C
CHECKED: TAZ	DATED: APR 00			DRAWING NO: XVMSBRGC.SCH	
CUR. REV. DRAWN: TAZ	DATED: APR 00	SCALE:		SHEET 1 OF 1	

REVISION RECORD			
LTR	ECO NO:	APPROVED:	DATE:

TO 50W BUS RIBBON

MATRIX MASTER

TO CONNECTOR CARD

EXTERNAL MATRIX BUSS RIBBON

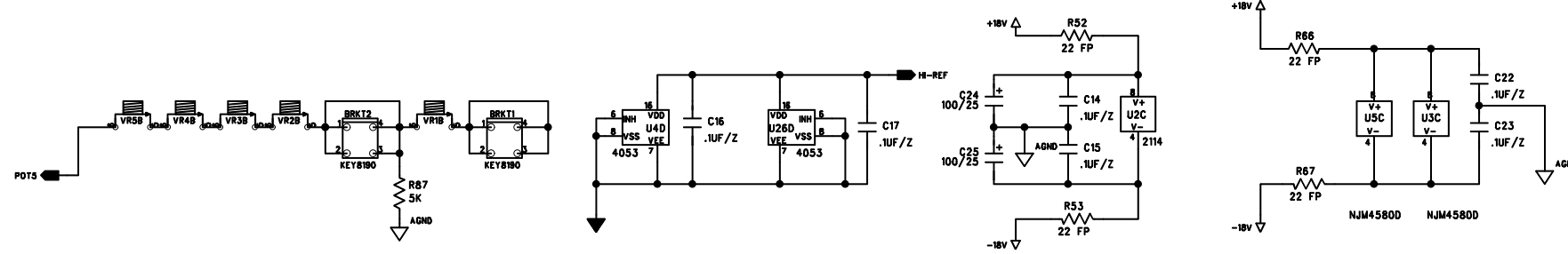
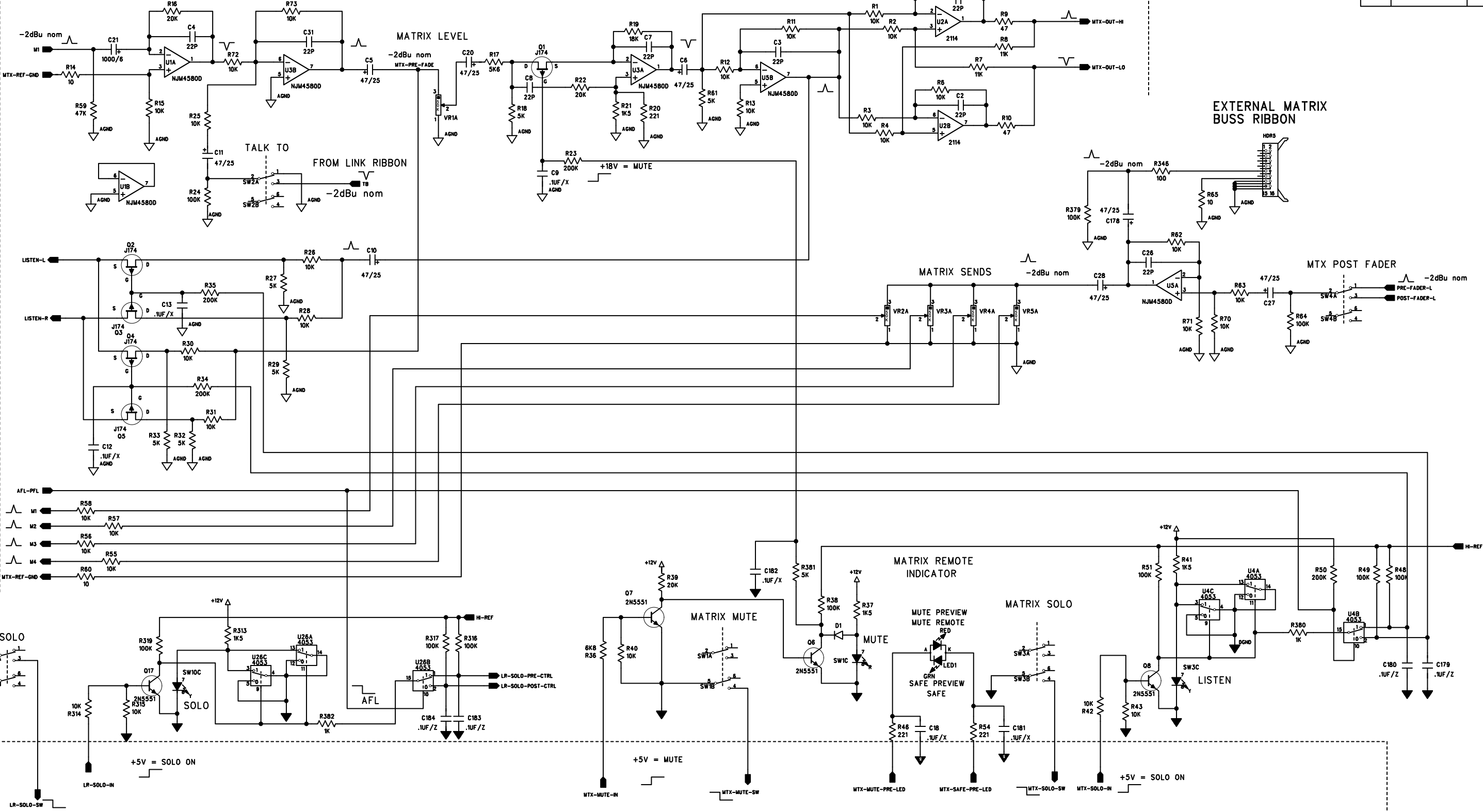
MATRIX SENDS

MATRIX MUTE

MATRIX REMOTE INDICATOR

MATRIX SOLO

LISTEN



COMPANY: **CRESTAUDIO**

TITLE: **X-VCA MASTER 1 MAIN PCB**

ORG DRAWN: JRP	DATED: 3 MAR 97	CODE:	SIZE: D	DRAWING NO: 7604482	REV: C
CHECKED: TAZ	DATED: APR 00			FILE NAME: XVMS1MNC.SCH	
RELEASED:	DATED:				

SCALE: SHEET 1 OF 4

REVISION RECORD			
LTR	ECO NO:	APPROVED:	DATE:

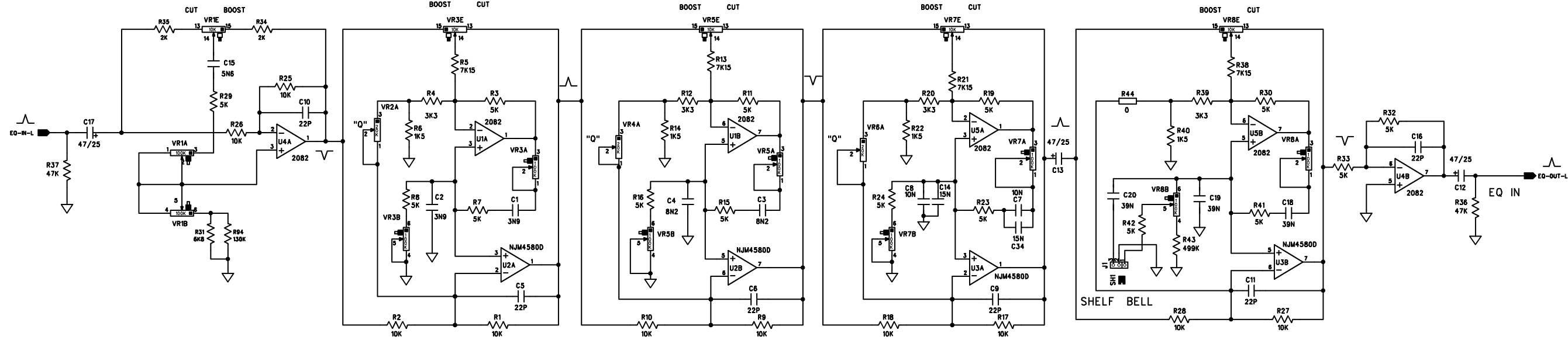
HIGH FREQUENCY
1KHZ - 20KHZ

HIGH MID FREQUENCY
400Hz - 8KHz

MID FREQUENCY
200Hz - 4KHz

LOW MID FREQUENCY
60Hz - 1.2KHz

LOW FREQUENCY
40Hz - 800Hz



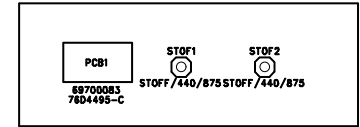
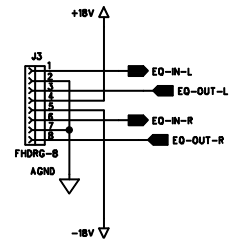
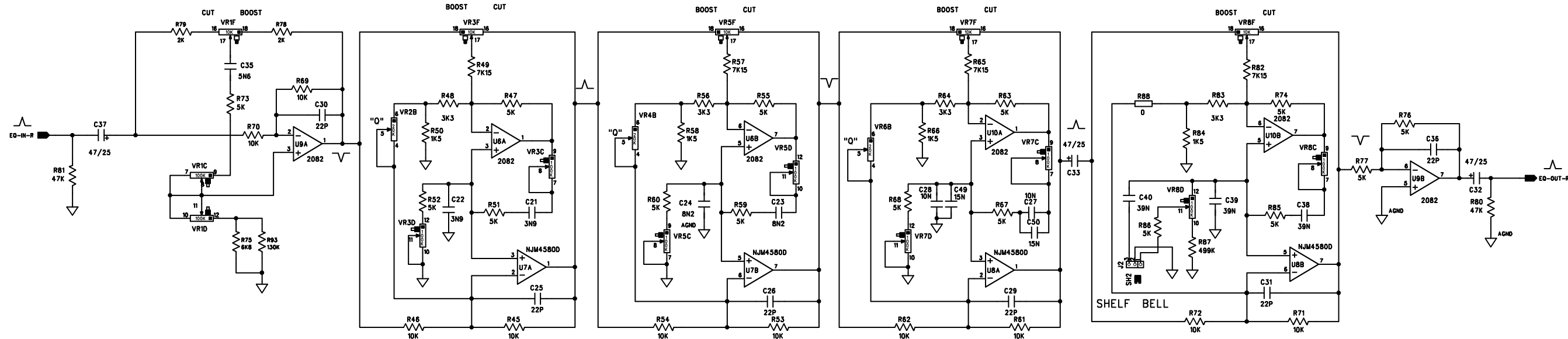
HIGH FREQUENCY
1KHZ - 20KHZ

HIGH MID FREQUENCY
400Hz - 8KHz

MID FREQUENCY
200Hz - 4KHz

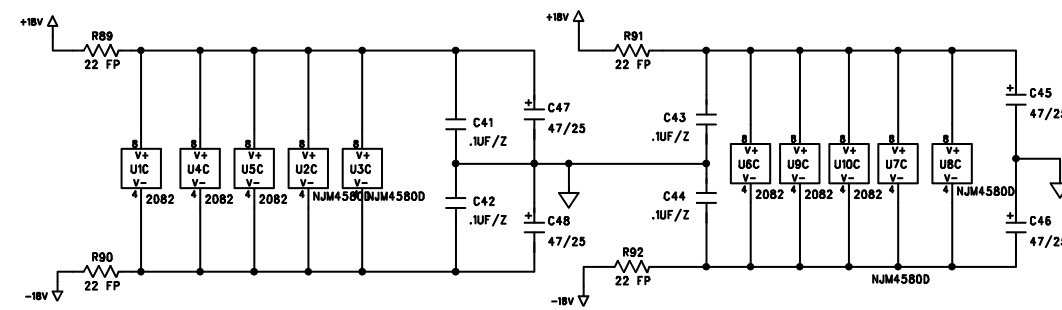
LOW MID FREQUENCY
60Hz - 1.2KHz

LOW FREQUENCY
40Hz - 800Hz



REVISION RECORD

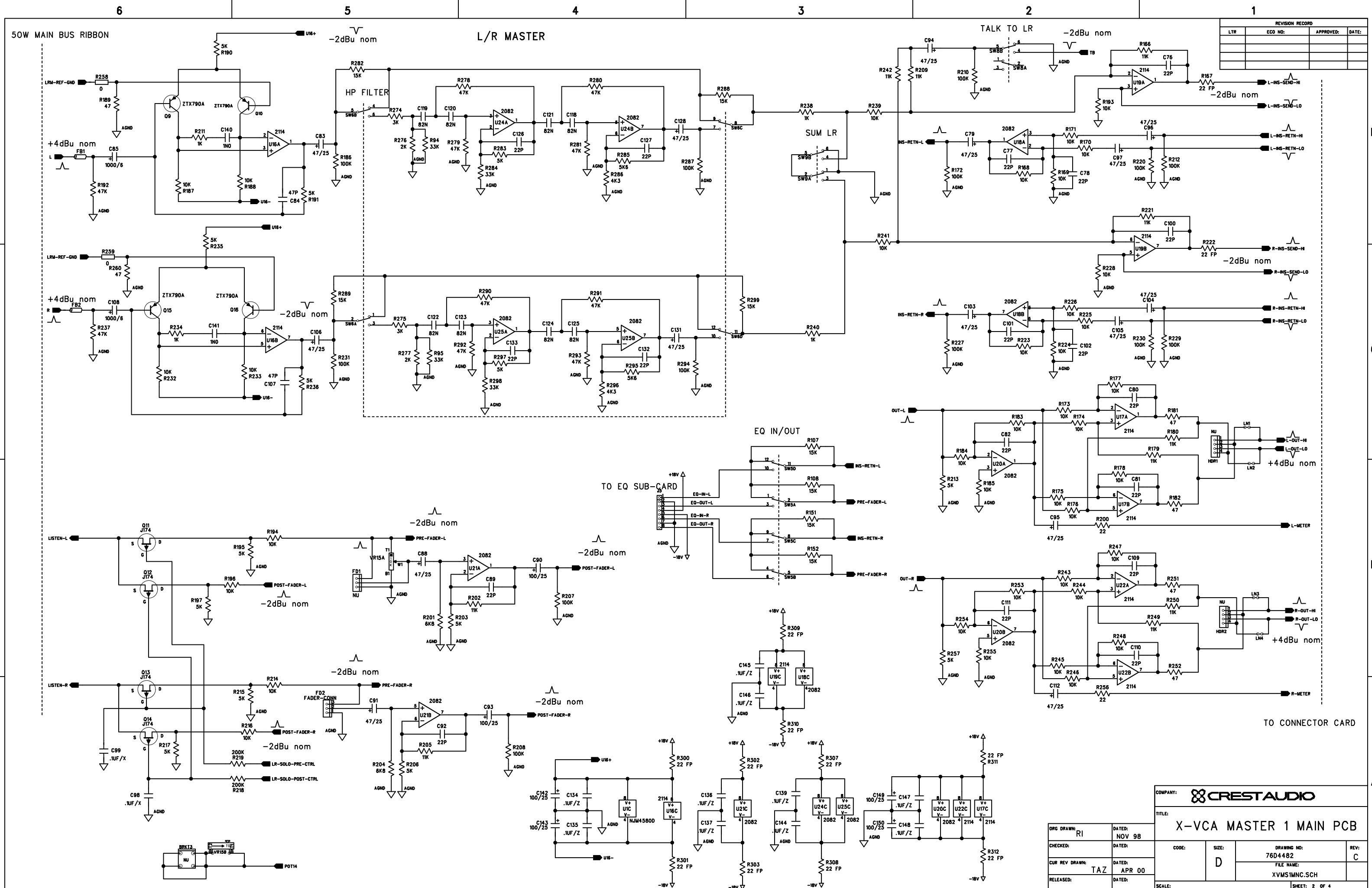
REV LEVEL	ASMBLY LEVEL	DATE	ECO	ENG.	DESCRIPTION
B	A	3/1/00	DCO 1051	TAZ	- REV A TO B - CHANGE HF TO SHELING TYPE - CHANGE LOW MID FREQ RANGE FROM 100 - 2K TO 60 -1K2 - SWAP VRBF PIN 16 AND 18 - CHANGE LOW FREQ STAGE TO DEFAULT TO PEAKING.
C	A	4/25/00	DCO 1103	TAZ	- REV B TO C - CORRECT TRACK ERROR FROM PIN16 VR8 - REMOVE ALL IC SOCKETS



COMPANY: **CRESTAUDIO**
TITLE: **XVCA MASTER 1 ST EQ SUB-CARD**

ORG DRAWN:	RI	DATED:	NOV 98
CHECKED:		DATED:	
CUR REV DRAWN:	TAZ	DATED:	4/25/00
RELEASED:		DATED:	

CODE:	SIZE:	DRAWING NO:	REV:
	D	76D4695	C
		FILE NAME:	
		XVMS1EQC.SCH	
SCALE:		SHEET:	1 OF 1

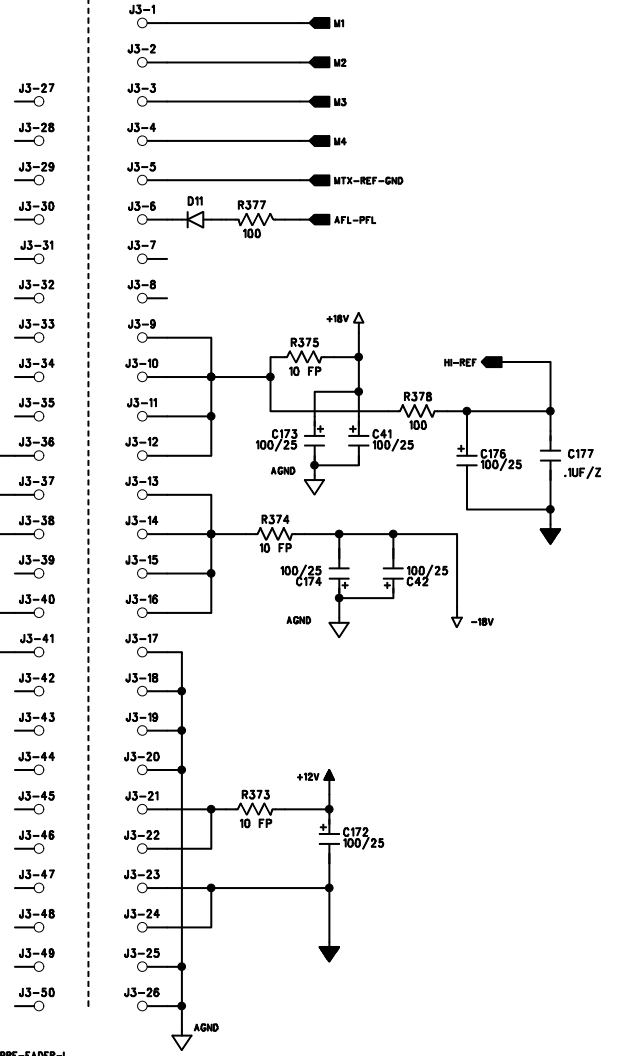


REVISION RECORD			
LTR	ECO NO:	APPROVED:	DATE:

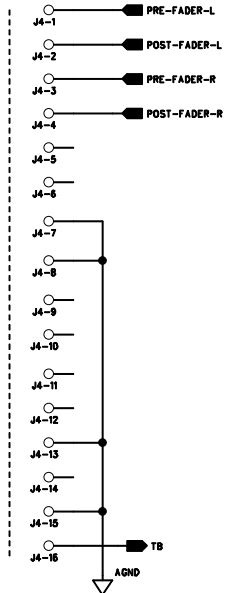
COMPANY:		TITLE: X-VCA MASTER 1 MAIN PCB	
ORG DRAWN: RI	DATED: NOV 98	CODE: D	SIZE: 76D4482
CHECKED: TAZ	DATED: APR 00	DRAWING NO: 76D4482	REV: C
CUR REV DRAWN: TAZ	DATED: APR 00	FILE NAME: XVMS1MNC.SCH	
RELEASED:	DATED:	SCALE:	SHEET: 2 OF 4

REVISION RECORD			
LTR	ECC NO:	APPROVED:	DATE:

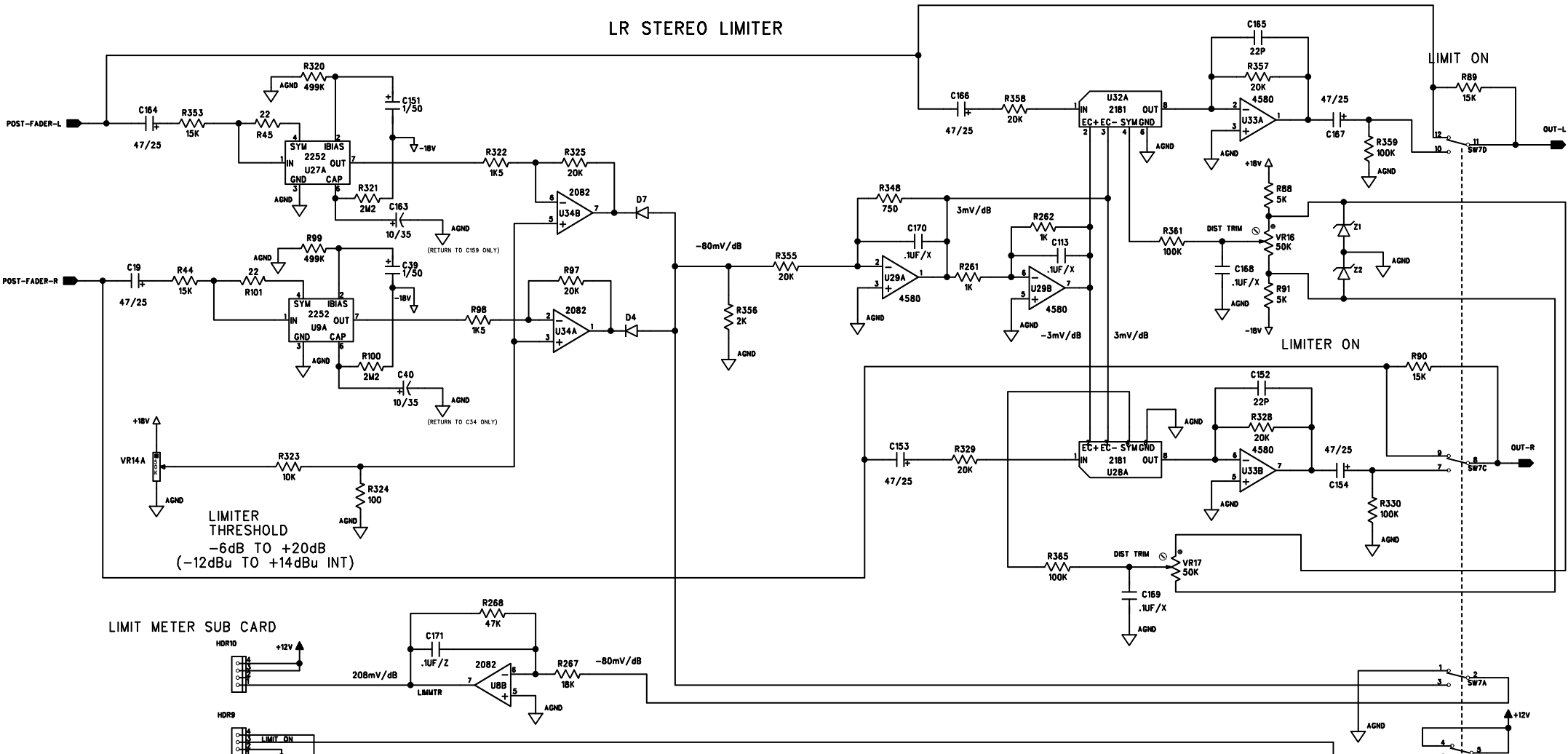
50W BUS RIBBON



16W MASTER LINK RIBBON

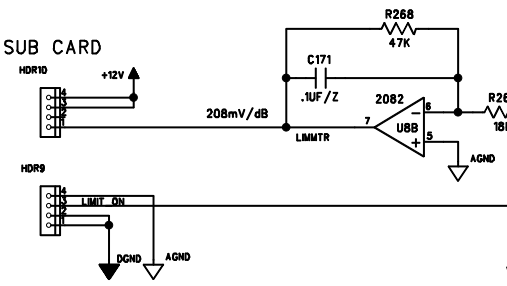


LR STEREO LIMITER

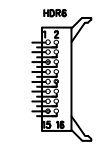


LIMITER THRESHOLD
-6dB TO +20dB
(-12dBu TO +14dBu INT)

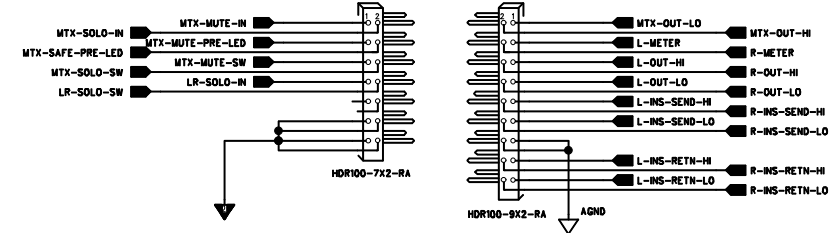
LIMIT METER SUB CARD



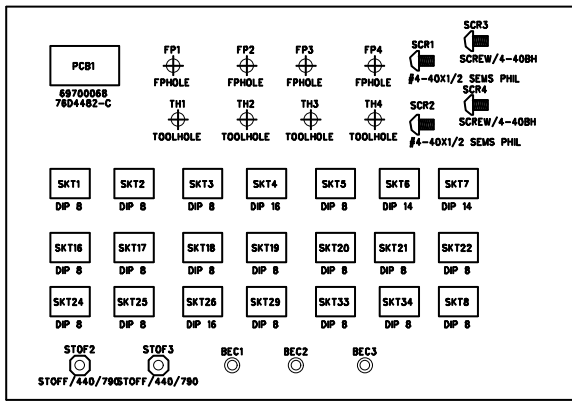
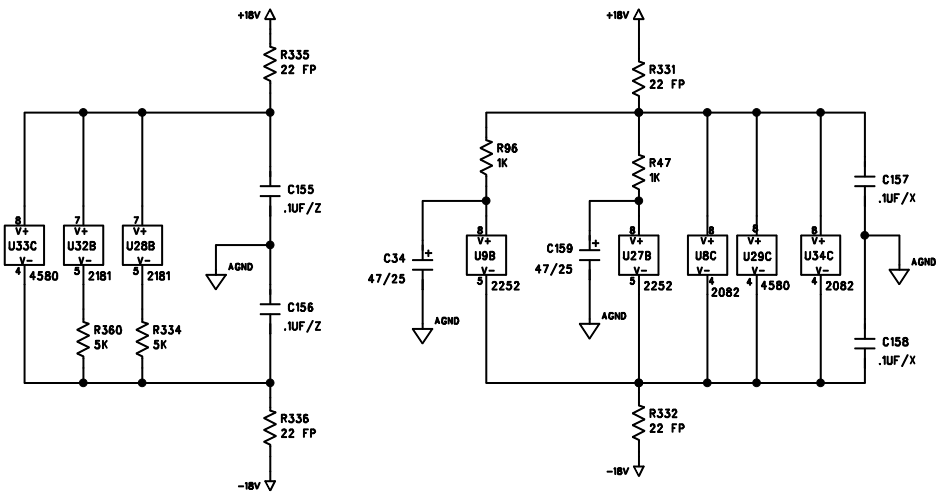
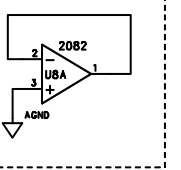
VCA GROUP BUS CONNECTOR



MICRO BRIDGE CONNECTOR REAR PANEL CONNECTOR



UNUSED GATE



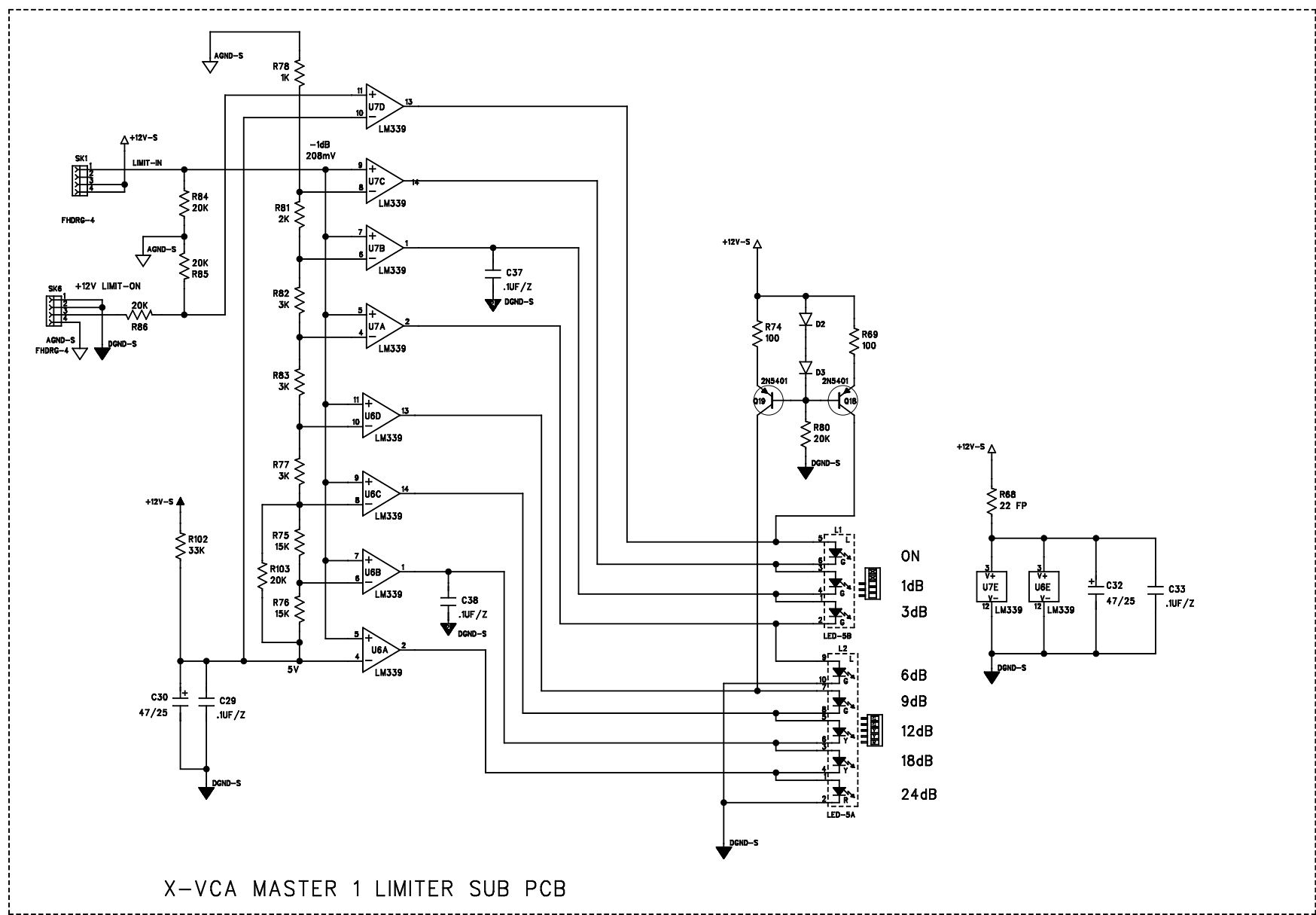
COMPANY: **CRESTAUDIO**

TITLE: **X-VCA MASTER 1 MAIN PCB**

ORG DRAWN: RI	DATE: NOV 98	CODE:	SIZE: D	DRAWING NO: 76D4482	REV: C
CHECKED:	DATE:			FILE NAME: XVM51MNC.SCH	
CUR REV DRAWN: TAZ	DATE: APR 00				
RELEASED:	DATE:				

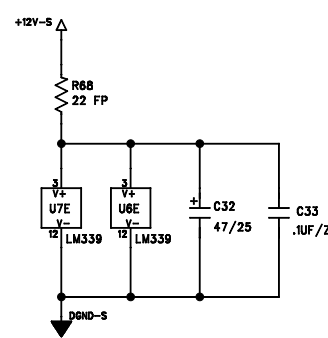
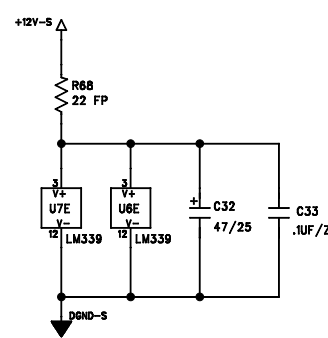
SCALE: SHEET: 3 OF 4

REVISION RECORD			
LTR	ECO NO.	APPROVED:	DATE:



X-VCA MASTER 1 LIMITER SUB PCB

- ON
- 1dB
- 3dB
- 6dB
- 9dB
- 12dB
- 18dB
- 24dB



COMPANY: **CREST AUDIO**

TITLE: **X-VCA MASTER 1 LIMITER SUB PCB**

ORG DRAWN: RI	DATED: JULY 99	CODE: D	SIZE: D	DRAWING NO: 76D4482B	REV: C
CHECKED:	DATED:			FILE NAME: XVMS1MNC.SCH	
CUR REV DRAWN: TAZ	DATED: APR 00				
RELEASED:	DATED:				

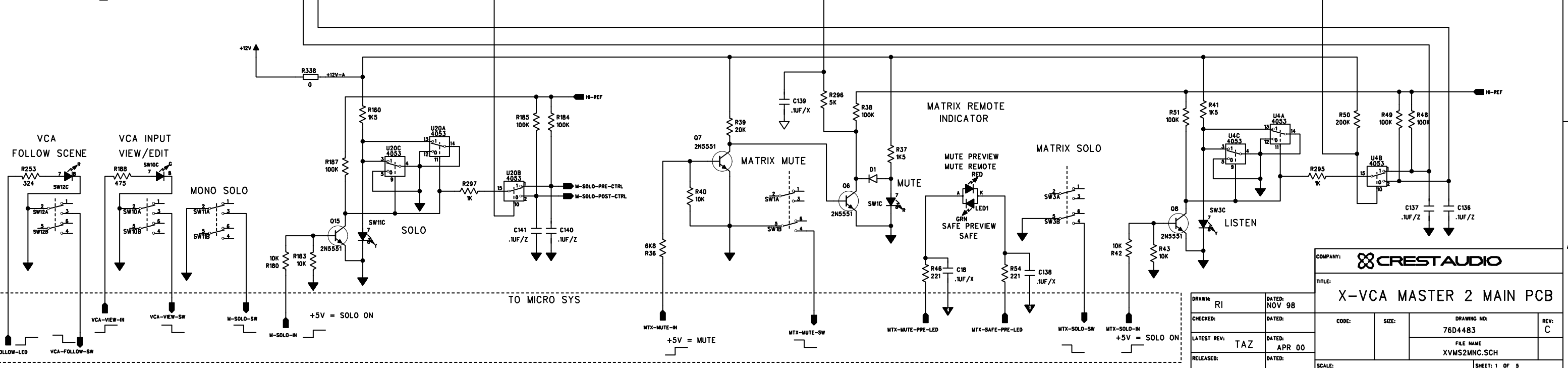
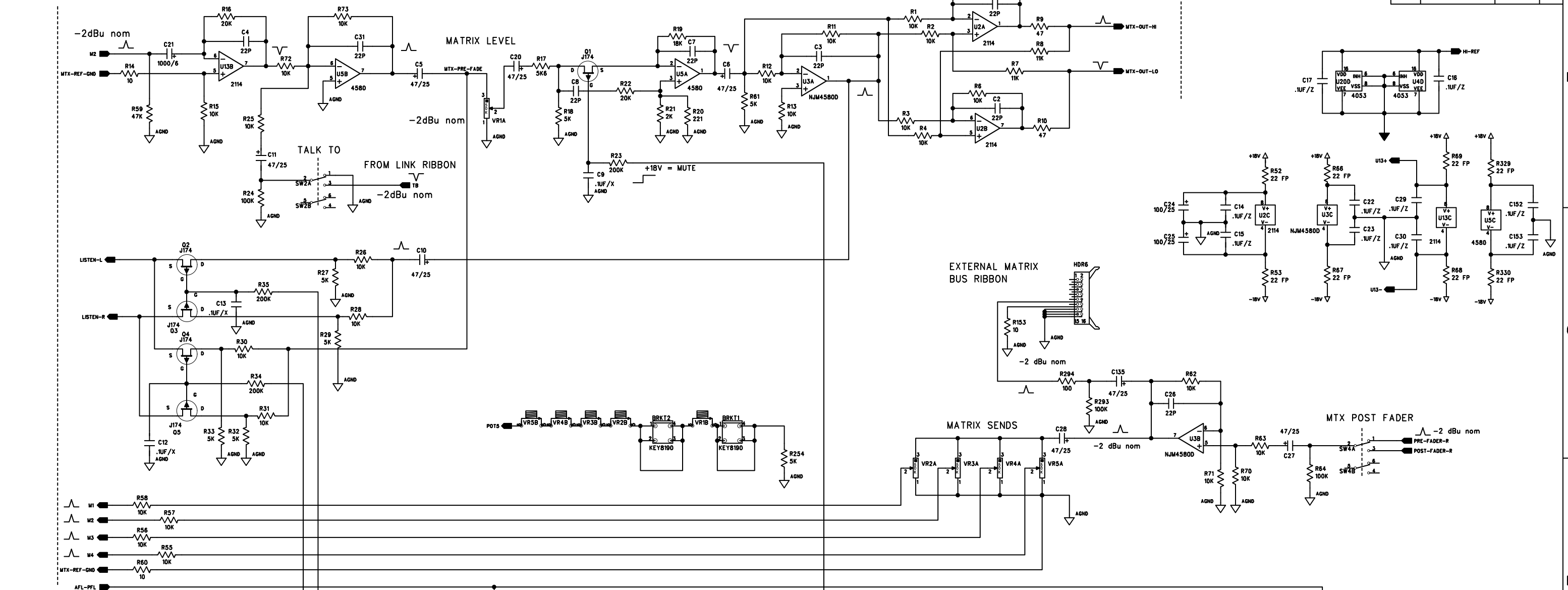
SCALE: SHEET: 4 OF 4

REVISION RECORD			
LTR	ECO NO:	APPROVED:	DATE:

TO 50W BUS RIBBON

MATRIX MASTER

TO CONNECTOR CARD



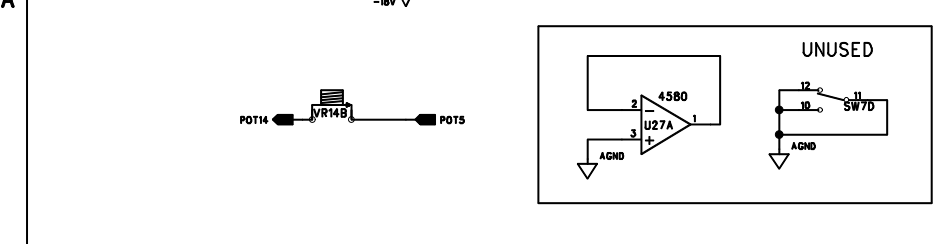
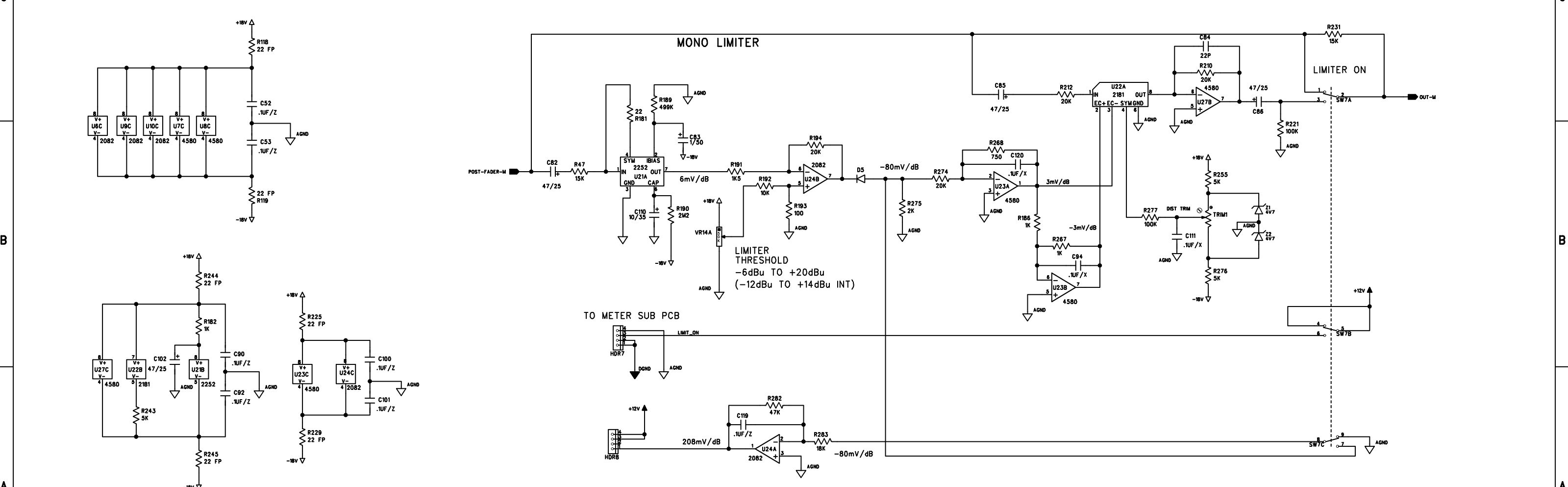
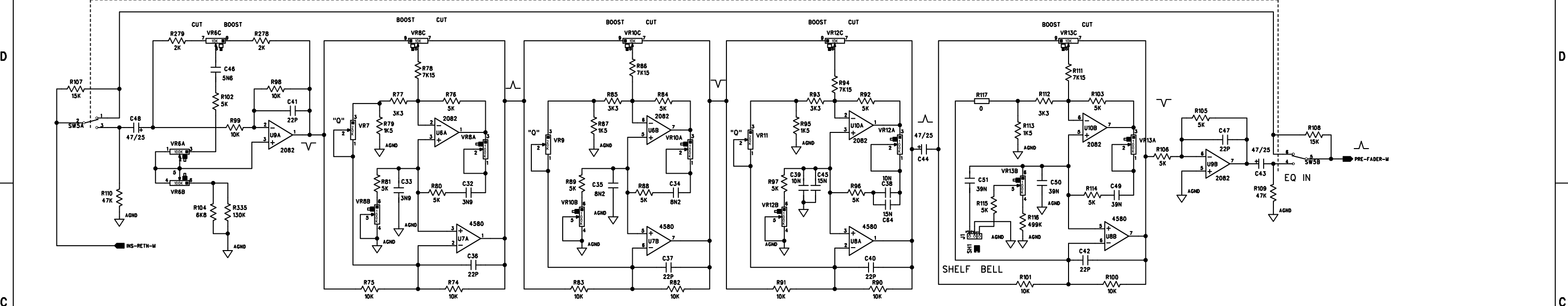
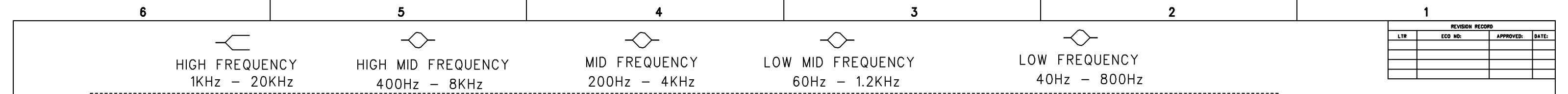
COMPANY: **CRESTAUDIO**

TITLE: **X-VCA MASTER 2 MAIN PCB**

DRAWN: RI	DATED: NOV 98	CODE:	SIZE:	DRAWING NO: 76D4483	REV: C
CHECKED:	DATED:			FILE NAME: XVMS2MNC.SCH	
LATEST REV: TAZ	DATED: APR 00				
RELEASED:	DATED:				

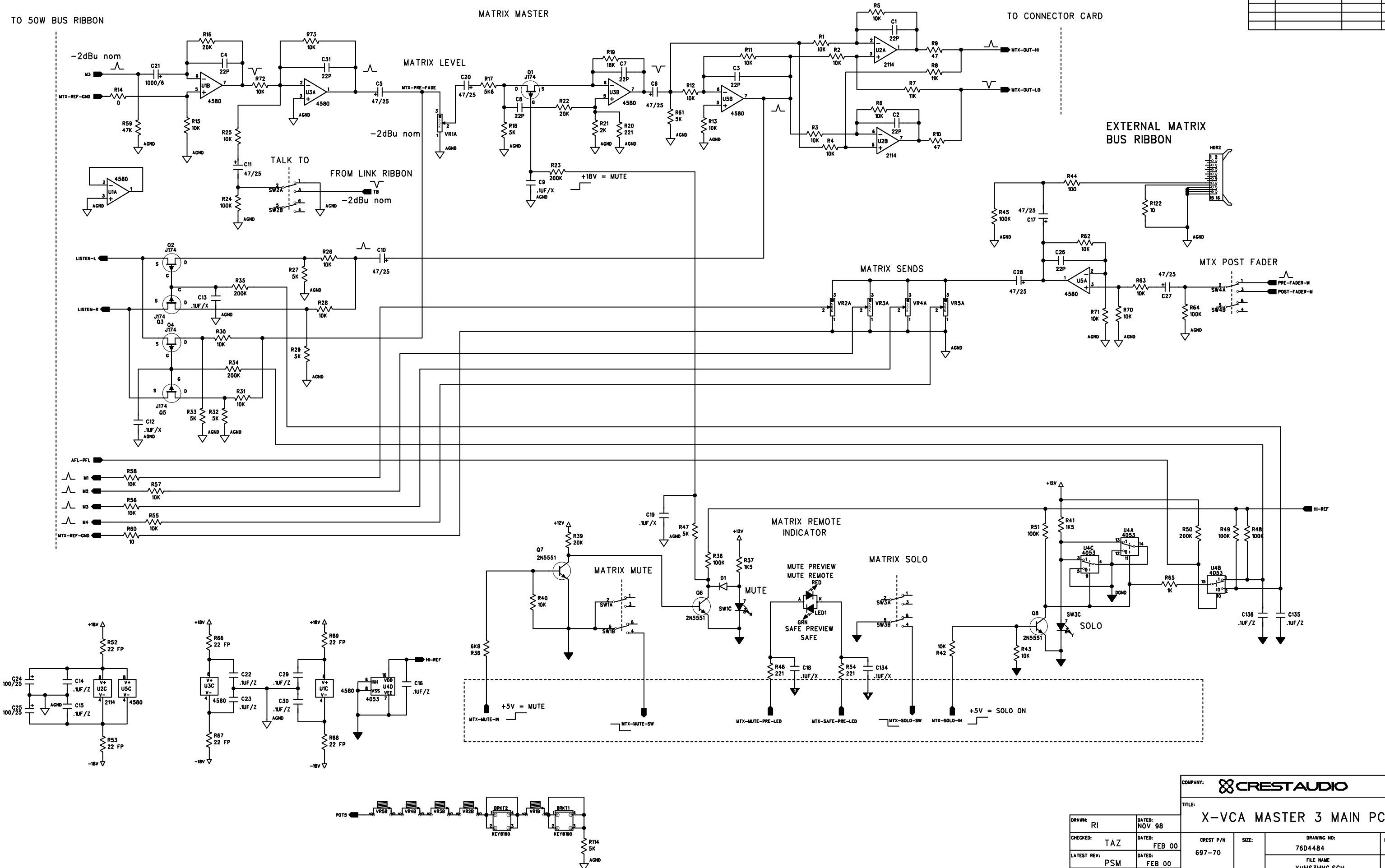
SCALE: SHEET: 1 OF 5

REVISION RECORD			
LTR	ECO NO:	APPROVED:	DATE:



COMPANY:		TITLE: X-VCA MASTER 2 MAIN PCB	
ORG DRAWN: RI	DATED: NOV 98	CODE: D	SIZE: D
CHECKED: TAZ	DATED: APR 00	DRAWING NO: 76D4483	REV: C
CUR REV DRAWN: TAZ	DATED: APR 00	FILE NAME: XVMS2MNC.SCH	
RELEASED:	DATED:	SCALE:	SHEET: 2 OF 5

REVISION RECORD			
LTR	ECO NO:	APPROVED:	DATE:



COMPANY: **CRESTAUDIO**

TITLE: **X-VCA MASTER 3 MAIN PCB**

DRAWN: RI	DATED: NOV 98	CREST P/N: 697-70	SIZE:	DRAWING NO: 76D4484	REV: C
CHECKED: TAZ	DATED: FEB 00			FILE NAME: XVMS3MNC.SCH	
LATEST REV: PSM	DATED: FEB 00				
RELEASED:	DATED:				

SCALE: SHEET: 1 OF 4

REVISION RECORD			
LTR	ECO NO:	APPROVED:	DATE:

50W BUS RIBBON

MONO

L/R

+4dBu nom

+4dBu nom

+4dBu nom

+4dBu nom

+4dBu nom

+4dBu nom

SIG/PEAK

PROGRAM SOLO

SOLO

+12V

HI-REF

AFL-PFL

+18V

AGND

AGND

AGND

AGND

AGND

AGND

AGND

AGND

AGND

AGND

AGND

AGND

AGND

AGND

AGND

AGND

AGND

AGND

AGND

AGND

AGND

AGND

AGND

AGND

AGND

AGND

AGND

AGND

AGND

AGND

AGND

AGND

AGND

AGND

AGND

AGND

AGND

AGND

AGND

AGND

AGND

AGND

AGND

AGND

AGND

AGND

AGND

AGND

AGND

AGND

AGND

AGND

AGND

AGND

AGND

AGND

AGND

AGND

AGND

AGND

AGND

AGND

AGND

AGND

AGND

AGND

AGND

AGND

AGND

AGND

AGND

AGND

AGND

AGND

AGND

AGND

AGND

AGND

AGND

AGND

AGND

AGND

AGND

AGND

AGND

AGND

AGND

AGND

AGND

AGND

AGND

AGND

AGND

AGND

AGND

AGND

AGND

AGND

AGND

AGND

AGND

AGND

AGND

AGND

AGND

AGND

AGND

AGND

AGND

AGND

AGND

AGND

AGND

AGND

AGND

AGND

AGND

AGND

AGND

AGND

AGND

AGND

AGND

AGND

AGND

AGND

AGND

AGND

AGND

AGND

AGND

AGND

AGND

AGND

AGND

AGND

AGND

AGND

AGND

AGND

AGND

AGND

AGND

AGND

AGND

AGND

AGND

AGND

AGND

AGND

AGND

AGND

AGND

AGND

AGND

AGND

AGND

AGND

AGND

AGND

AGND

AGND

AGND

AGND

AGND

AGND

AGND

AGND

AGND

AGND

AGND

AGND

AGND

AGND

AGND

AGND

AGND

AGND

AGND

AGND

AGND

AGND

AGND

AGND

AGND

AGND

AGND

AGND

AGND

AGND

AGND

AGND

AGND

AGND

AGND

AGND

AGND

AGND

AGND

AGND

AGND

AGND

AGND

AGND

AGND

AGND

AGND

AGND

AGND

AGND

AGND

AGND

AGND

AGND

AGND

AGND

AGND

AGND

AGND

AGND

AGND

AGND

AGND

AGND

AGND

AGND

AGND

AGND

AGND

AGND

AGND

AGND

AGND

AGND

AGND

AGND

AGND

AGND

AGND

AGND

AGND

AGND

AGND

AGND

AGND

AGND

AGND

AGND

AGND

AGND

AGND

AGND

AGND

AGND

AGND

AGND

AGND

AGND

AGND

AGND

AGND

AGND

AGND

AGND

AGND

AGND

AGND

AGND

AGND

AGND

AGND

AGND

AGND

AGND

AGND

AGND

AGND

AGND

AGND

AGND

AGND

AGND

AGND

AGND

AGND

AGND

AGND

AGND

AGND

AGND

AGND

AGND

AGND

AGND

AGND

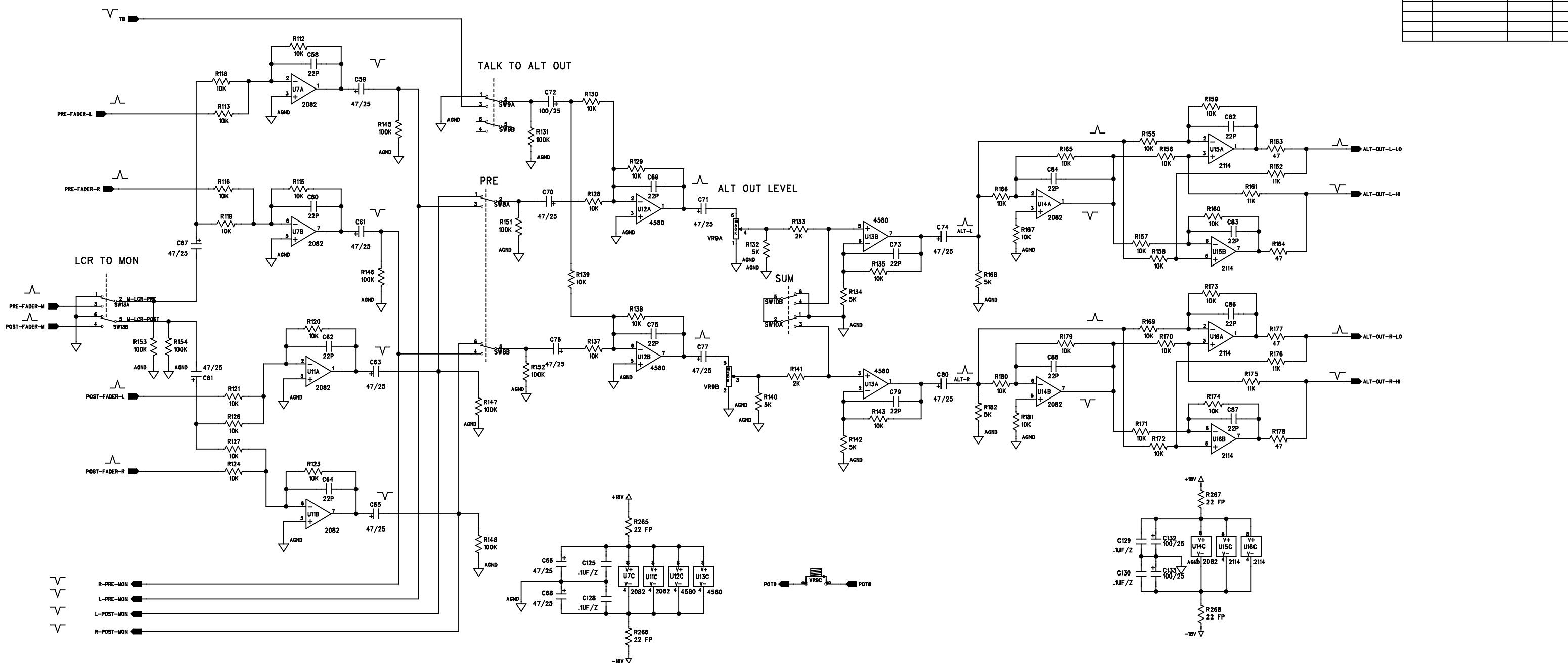
AGND

AGND

AGND

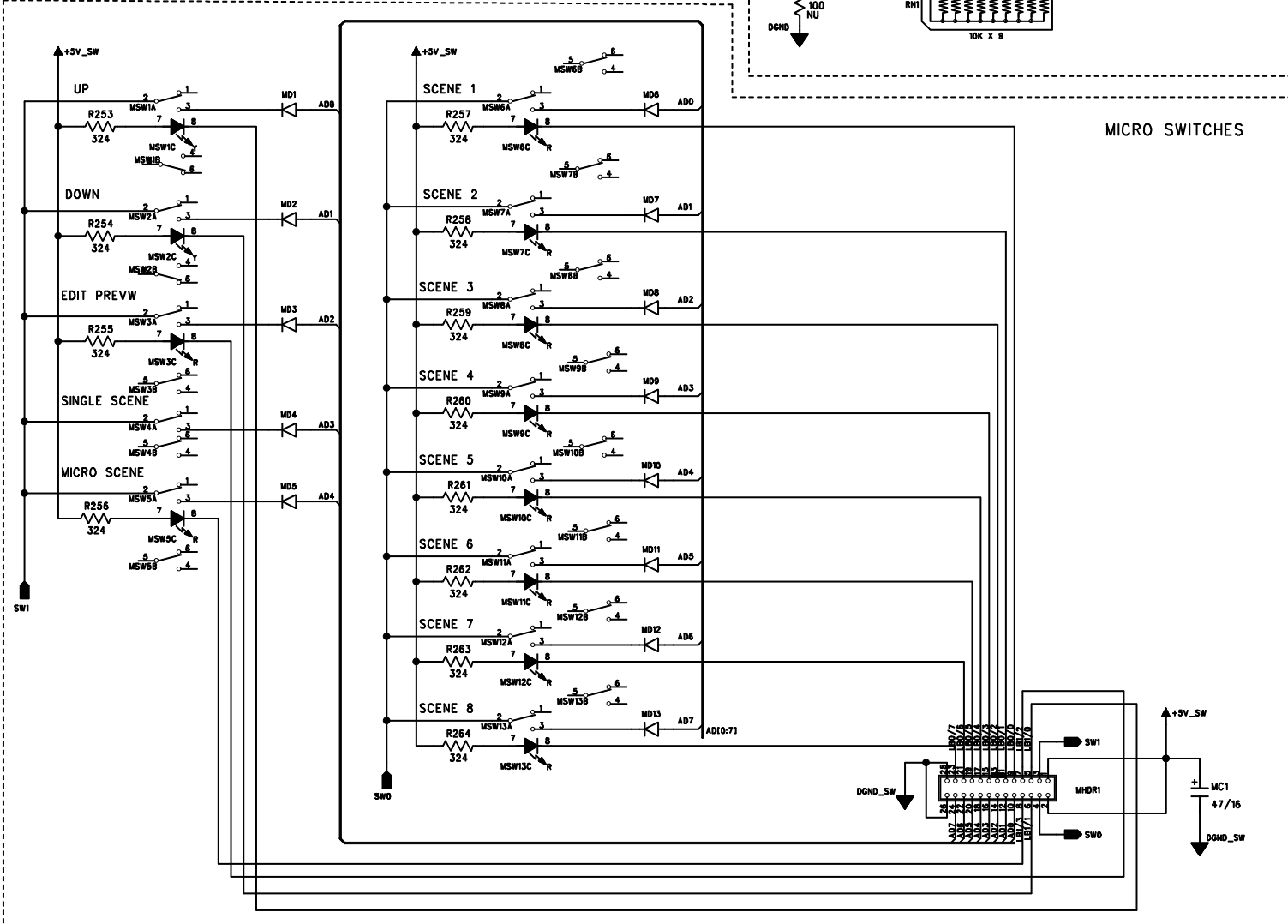
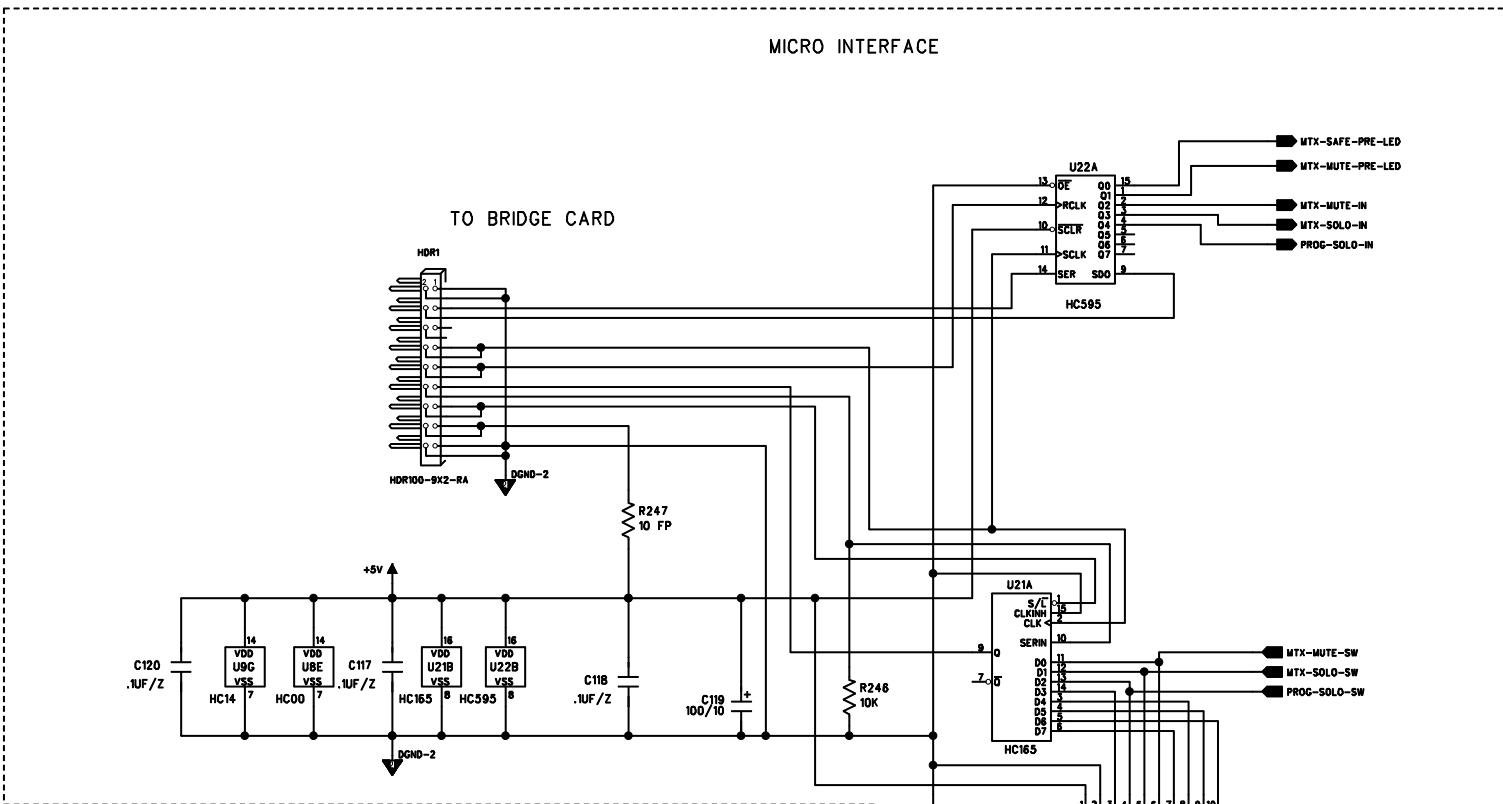
AGND

REVISION RECORD			
LTR	ECO NO.	APPROVED:	DATE:

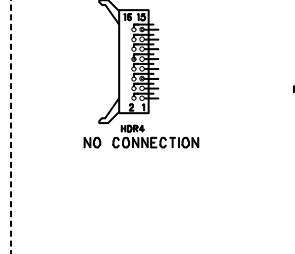


COMPANY: CREST AUDIO		TITLE: X-VCA MASTER 3 MAIN PCB	
ORG DRAWN: RI	DATED: NOV 98	CREST P/N: 697-70	SIZE: D
CHECKED: TAZ	DATED: FEB 00	DRAWING NO: 76D4484	REV: C
CUR REV DRAWN: PSM	DATED: FEB 00	FILE NAME: XVMS3MNC.SCH	
RELEASED: 	DATED: 	SCALE: 	SHEET: 3 OF 4

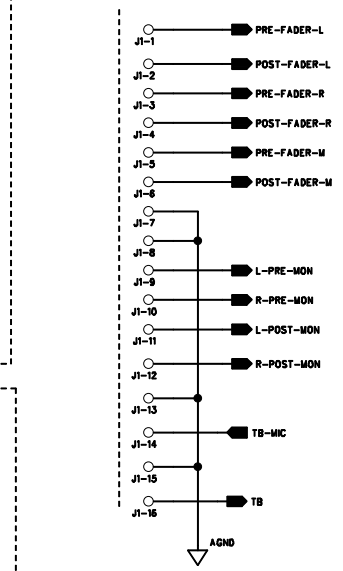
REVISION RECORD			
LTR	ECO NO:	APPROVED:	DATE:



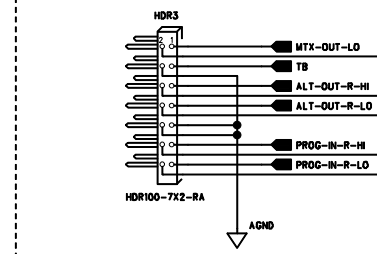
VCA BUS CONNECTOR



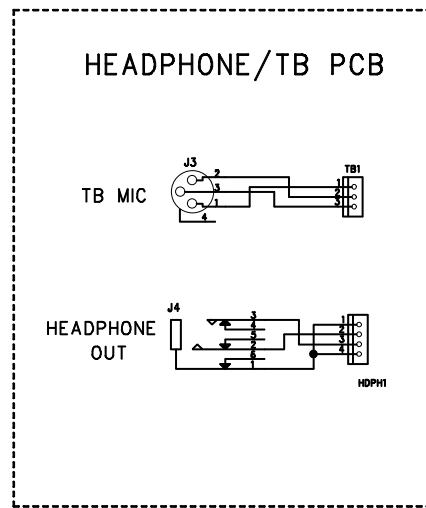
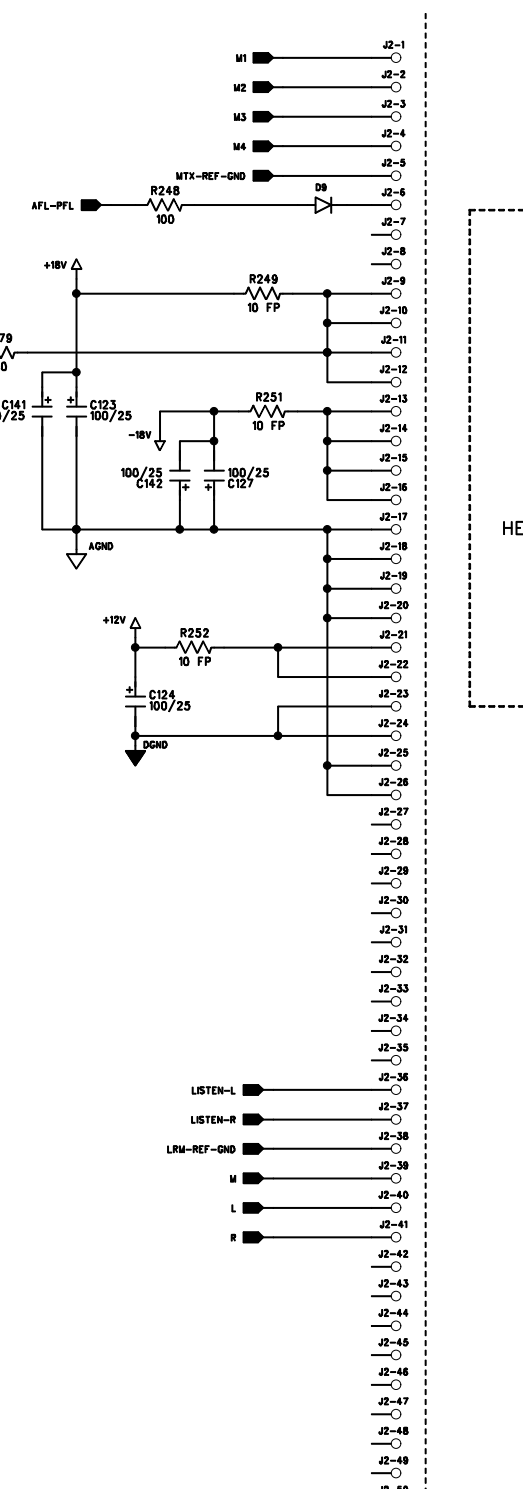
16W MASTER LINK RIBBON



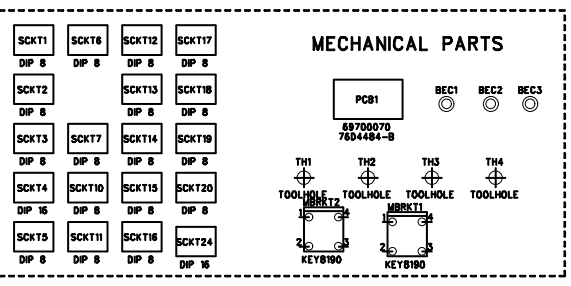
TO MSTR CONNECTOR PCB



50W BUS RIBBON



REVISION RECORD TABLE ON SHEET 3



COMPANY: **CRESTAUDIO**

TITLE: **X-VCA MASTER 3 MAIN PCB**

ORG DRAWN: RI, DATE: NOV 98

CHECKED: TAZ, DATE: FEB 00

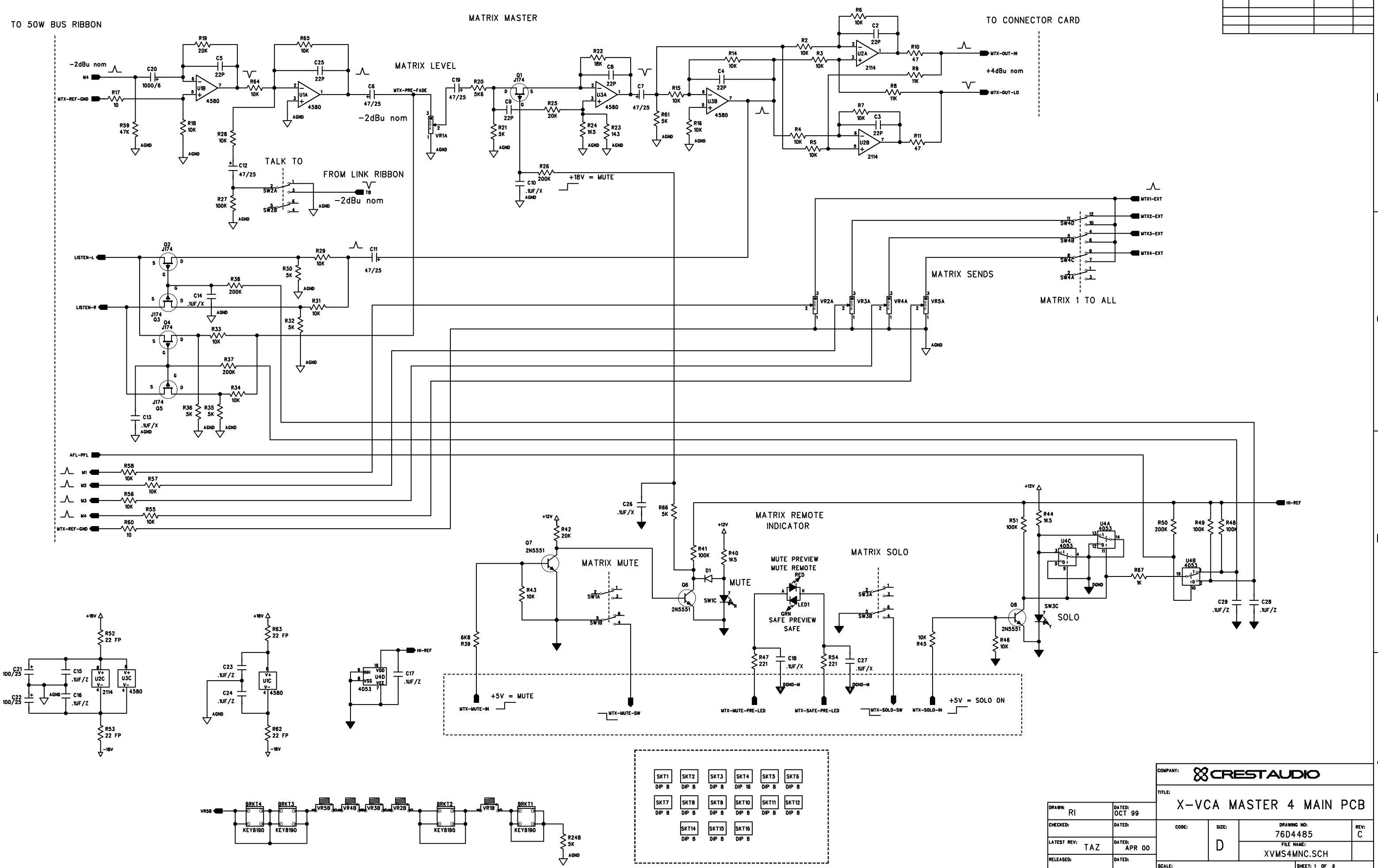
CUR REV DRAWN: PSM, DATE: FEB 00

RELEASED: , DATE:

CREST P/N: 697-70, SIZE: D, DRAWING NO: 76D4484, FILE NAME: XVMS3MNC.SCH

SCALE: , SHEET: 4 OF 4

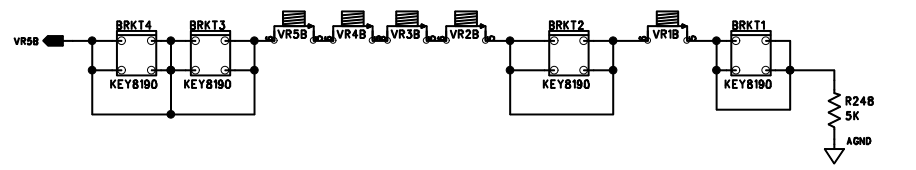
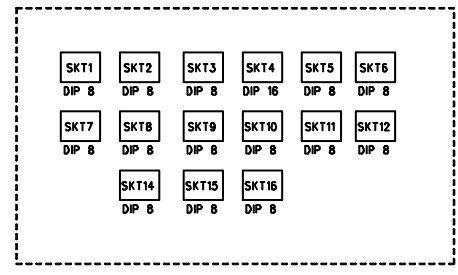
REVISION RECORD			
LTR	ECO NO:	APPROVED:	DATE:



COMPANY: **CRESTAUDIO**

TITLE: **X-VCA MASTER 4 MAIN PCB**

DRAWN: RI	DATED: OCT 99	DRAWING NO: 76D4485	REV: C
CHECKED: TAZ	DATED: APR 00		
LATEST REV: TAZ	DATED: APR 00	CODE: D	FILE NAME: XVMS4MNC.SCH
RELEASED:	DATED:	SCALE:	SHEET: 1 OF 5



REVISION RECORD			
LTR	ECC NO:	APPROVED:	DATE:

D

C

B

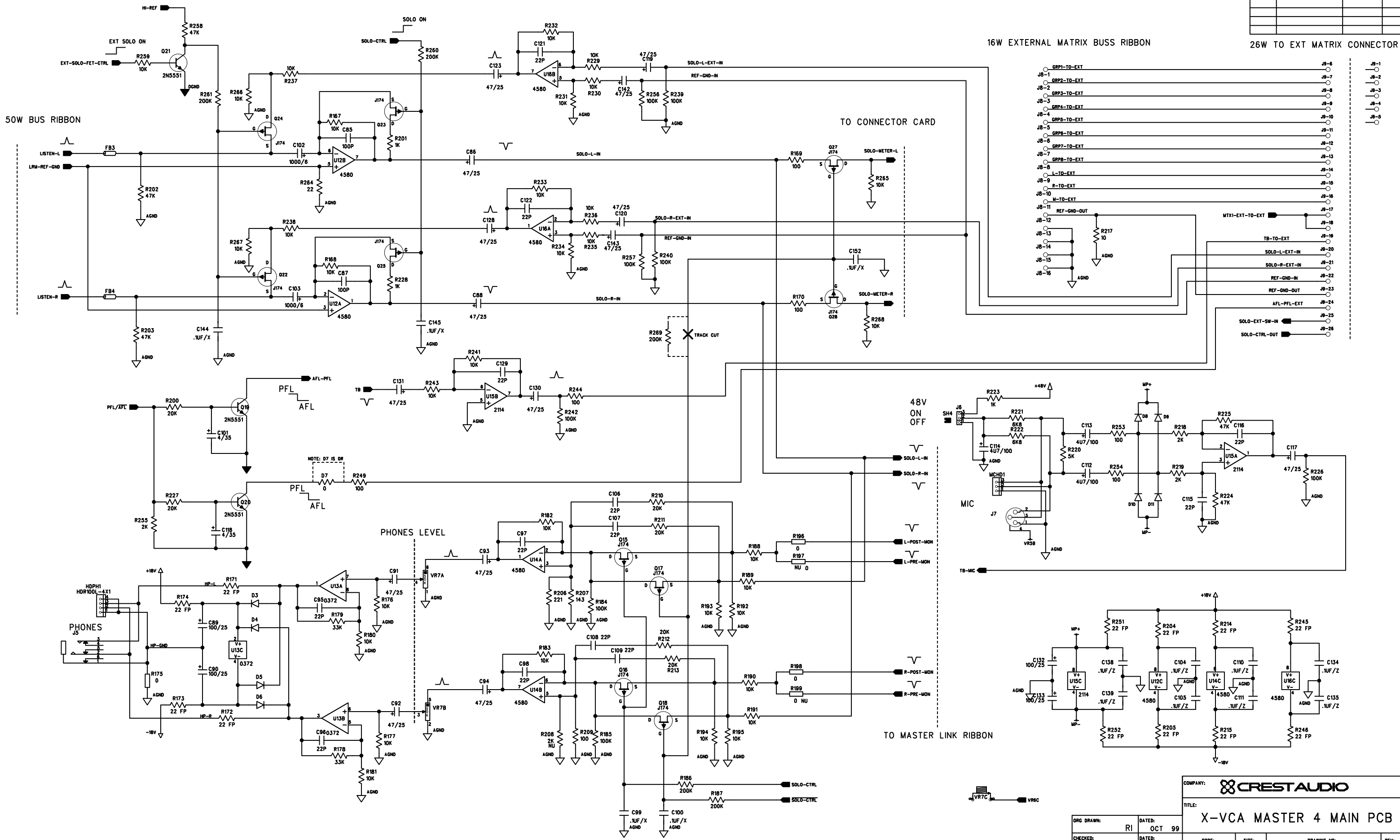
A

D

C

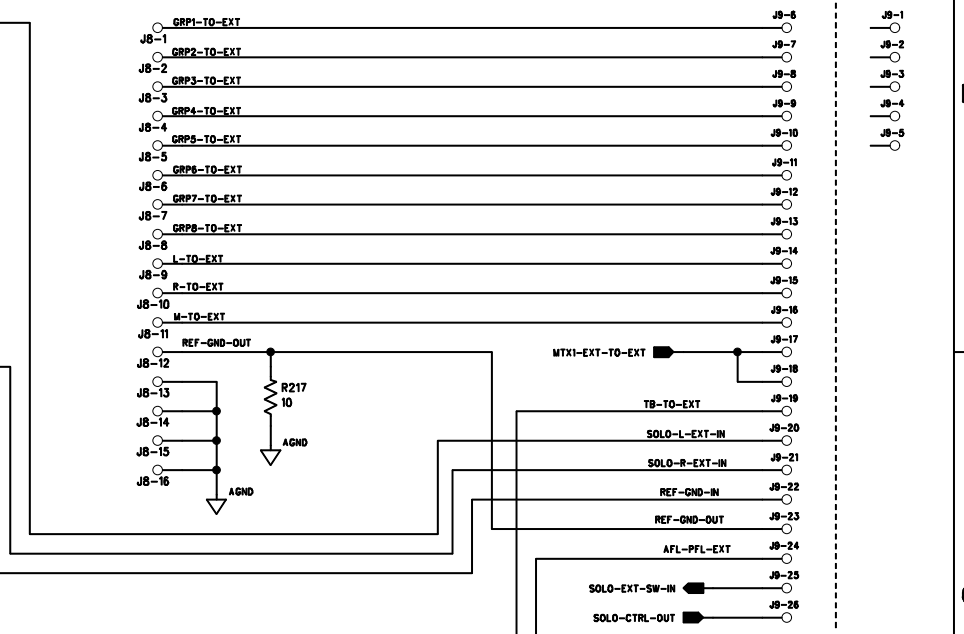
B

A



16W EXTERNAL MATRIX BUSS RIBBON

26W TO EXT MATRIX CONNECTOR



48V ON OFF

TO MASTER LINK RIBBON

COMPANY: **CRESTAUDIO**

TITLE: **X-VCA MASTER 4 MAIN PCB**

ORG DRAWN: RI	DATED: OCT 99	DRAWING NO: 76D4485	REV: C
CHECKED: TAZ	DATED: APR 00		
CUR REV DRAWN: TAZ	DATED: APR 00	FILE NAME: XVMS4MNC.SCH	
RELEASED:	DATED:	SCALE:	SHEET: 3 OF 5

REVISION RECORD			
LTR	ECO NO:	APPROVED:	DATE:

D

C

B

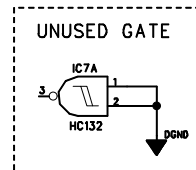
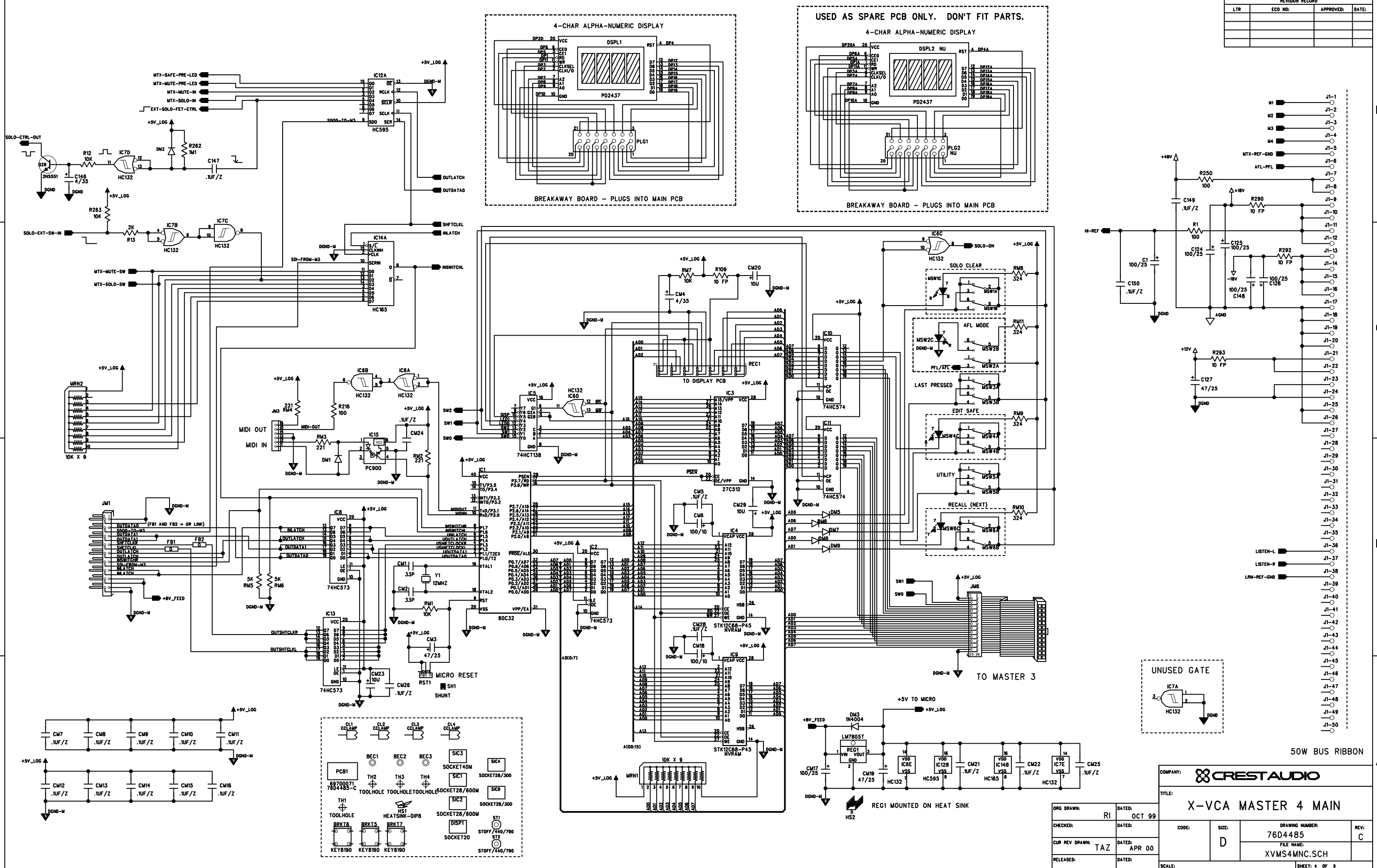
A

D

C

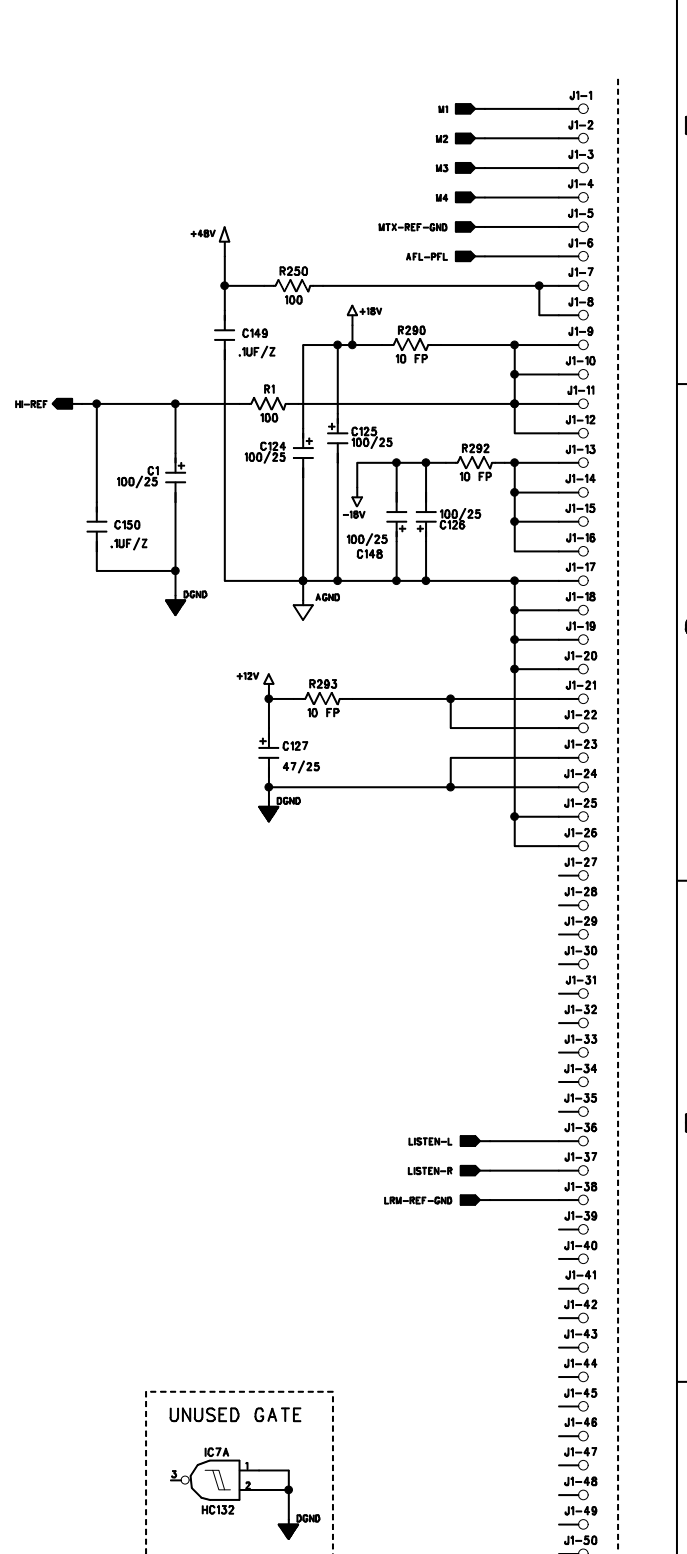
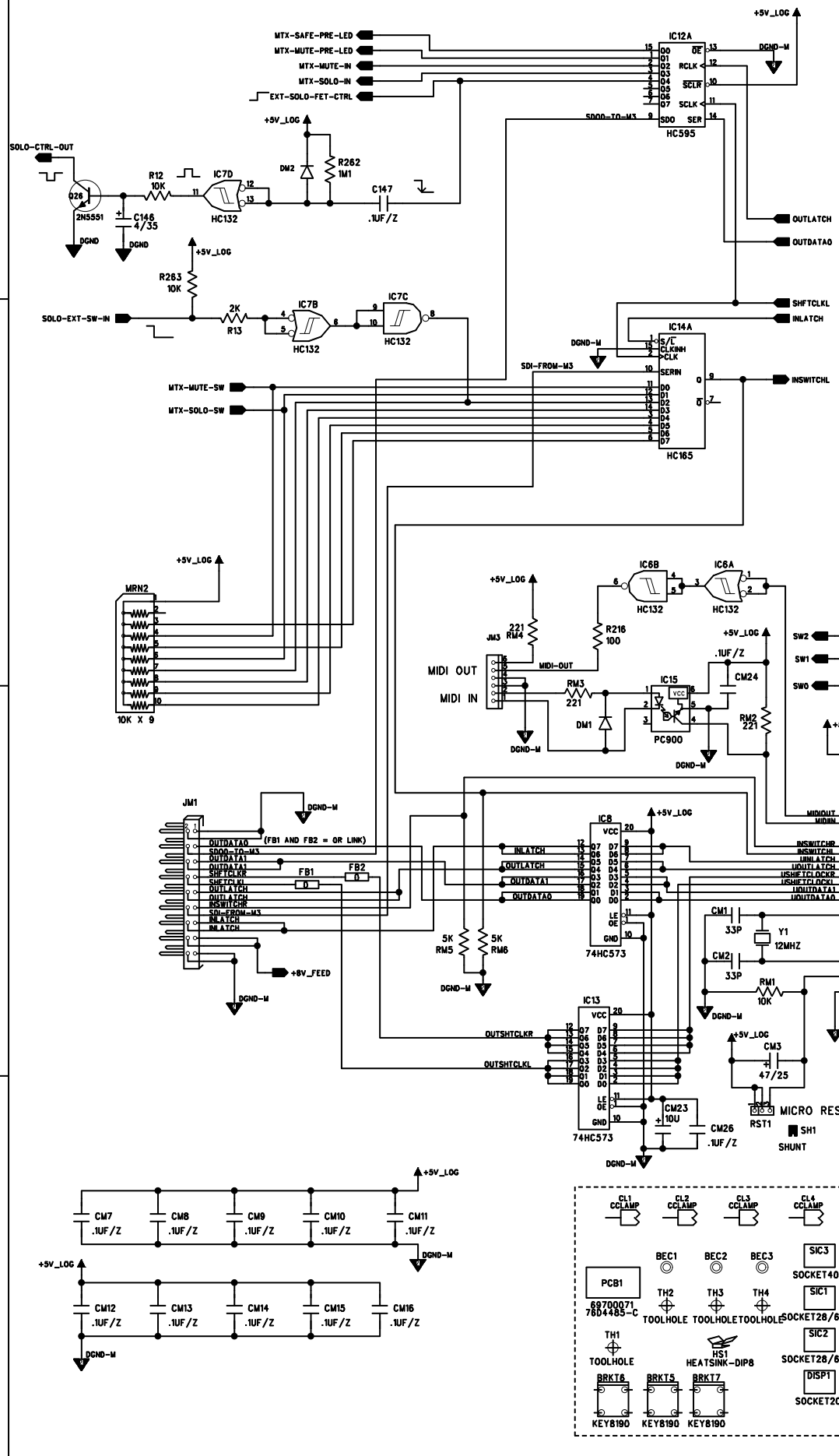
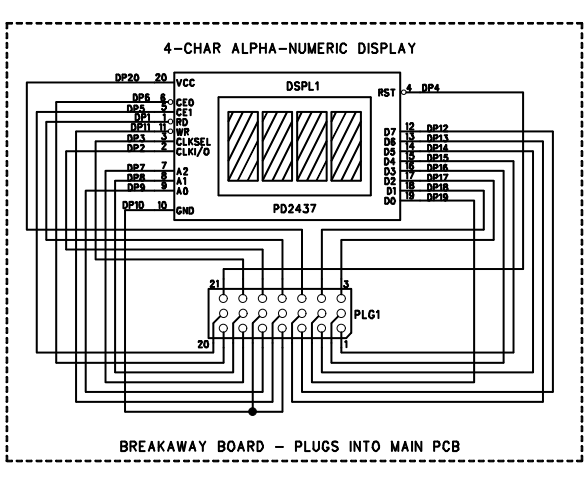
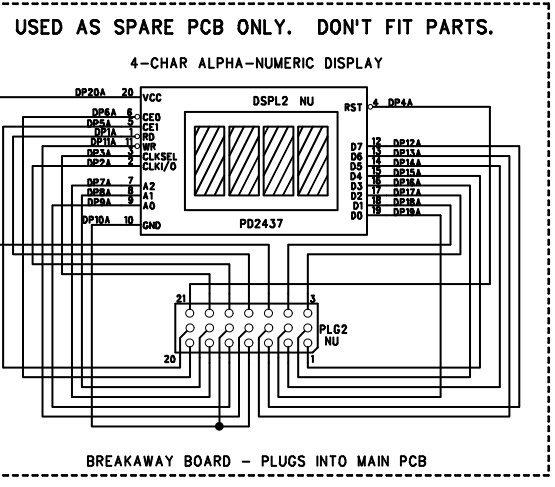
B

A



50W BUS RIBBON

COMPANY: CRESTAUDIO		TITLE: X-VCA MASTER 4 MAIN	
ORG DRAWN: RI	DATED: OCT 99	CODE: D	SIZE: 76D4485
CHECKED: TAZ	DATED: APR 00	FILE NAME: XVMS4MNC.SCH	REV: C
CUR REV DRAWN: TAZ	DATED: APR 00	SCALE:	SHEET: 4 OF 5



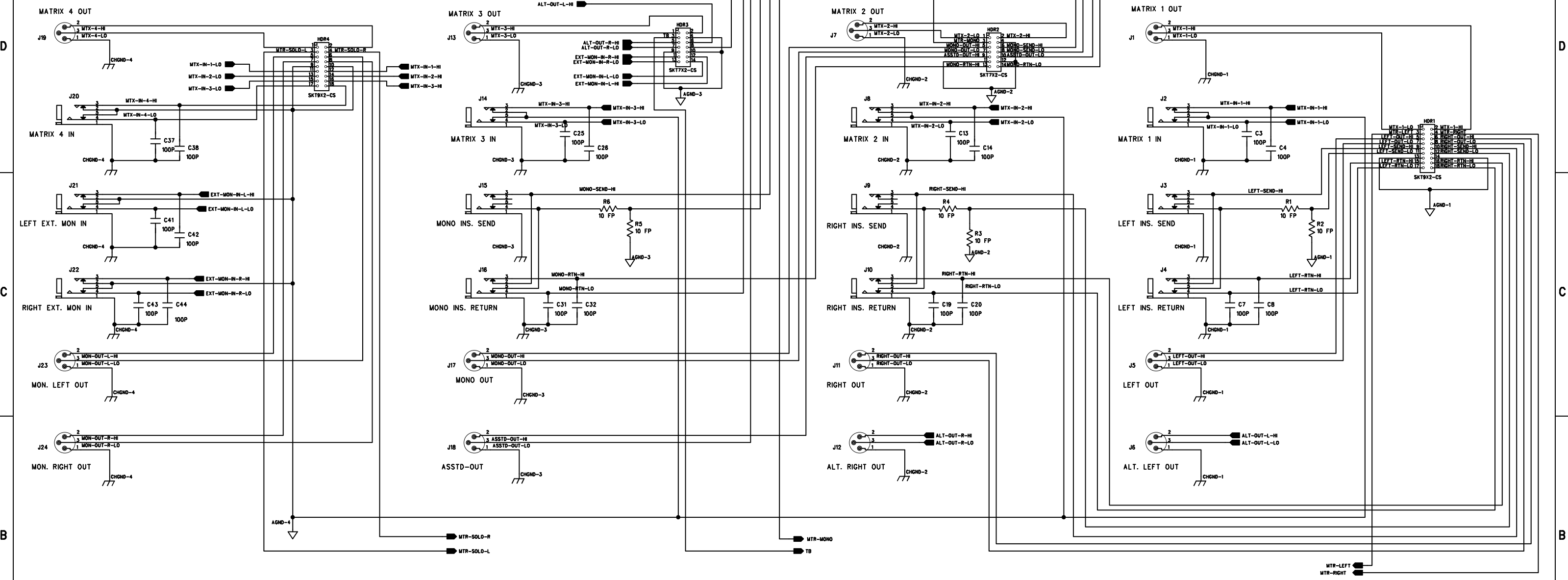
REVISION RECORD			
LTR	ECO NO:	APPROVED:	DATE:

MASTER 4

MASTER 3

MASTER 2

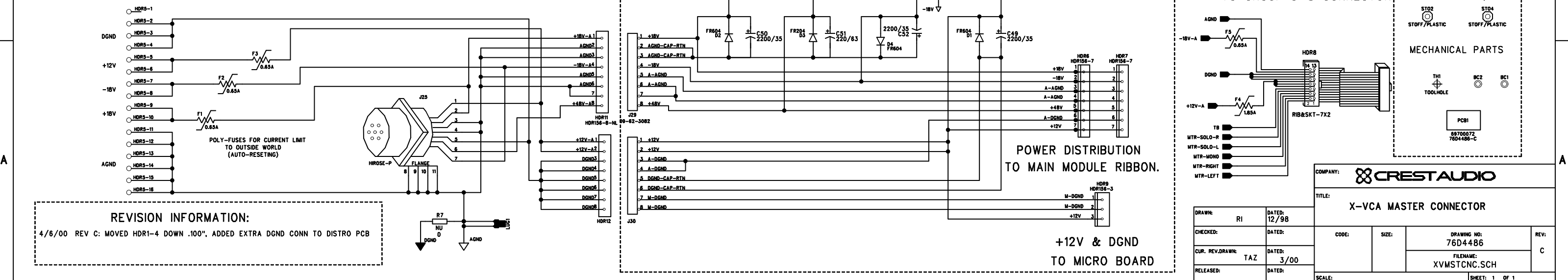
MASTER 1



16 WAY BOX TO EXT MATRIX CONNECTOR

SUB-PCB FOR POWER DISTRIBUTION

TO GROUP 5-8 CONNECTOR



REVISION INFORMATION:
 4/6/00 REV C: MOVED HDR1-4 DOWN .100", ADDED EXTRA DGND CONN TO DISTRO PCB

COMPANY: **CRESTAUDIO**

TITLE: **X-VCA MASTER CONNECTOR**

DRAWN: R1	DATED: 12/98	CODE:	SIZE:	DRAWING NO: 76D4486	REV: C
CHECKED: TAZ	DATED: 3/00	FILENAME: XVMSTCNC.SCH	SHEET: 1 OF 1		

6

5

4

3

2

1

REVISION RECORD		
ECO NO:	APPROVED:	DATE:

D

D

C

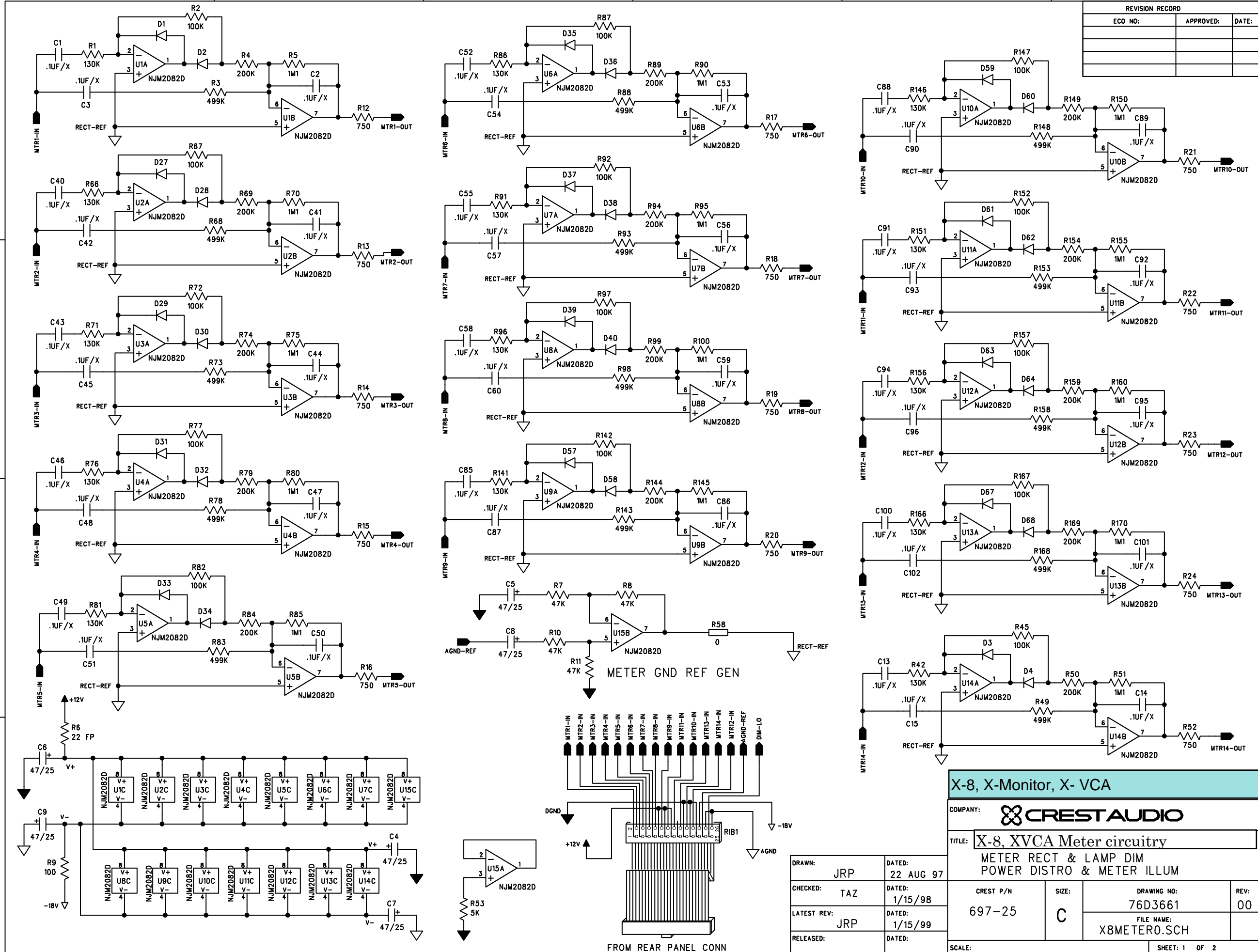
C

B

B

A

A



X-8, X-Monitor, X-VCA

COMPANY: **CREST AUDIO**

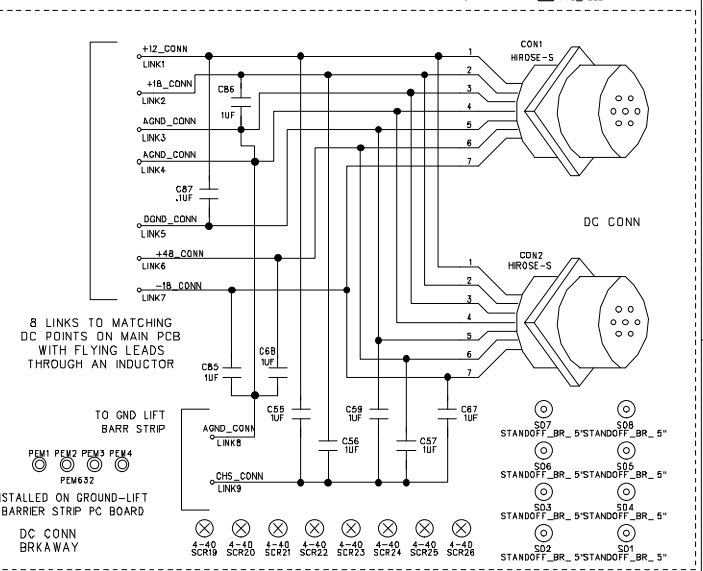
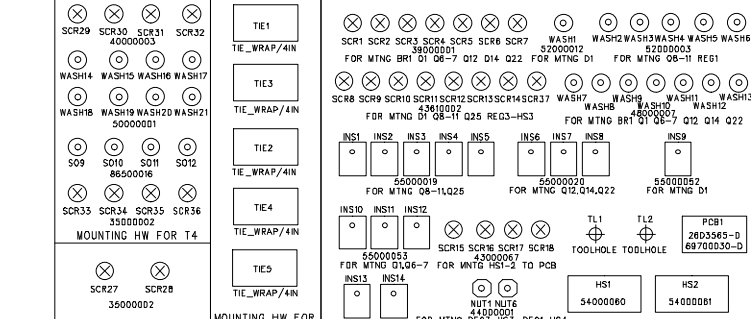
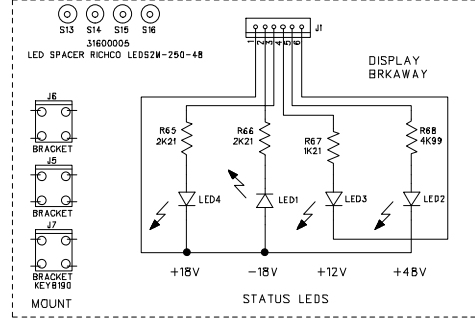
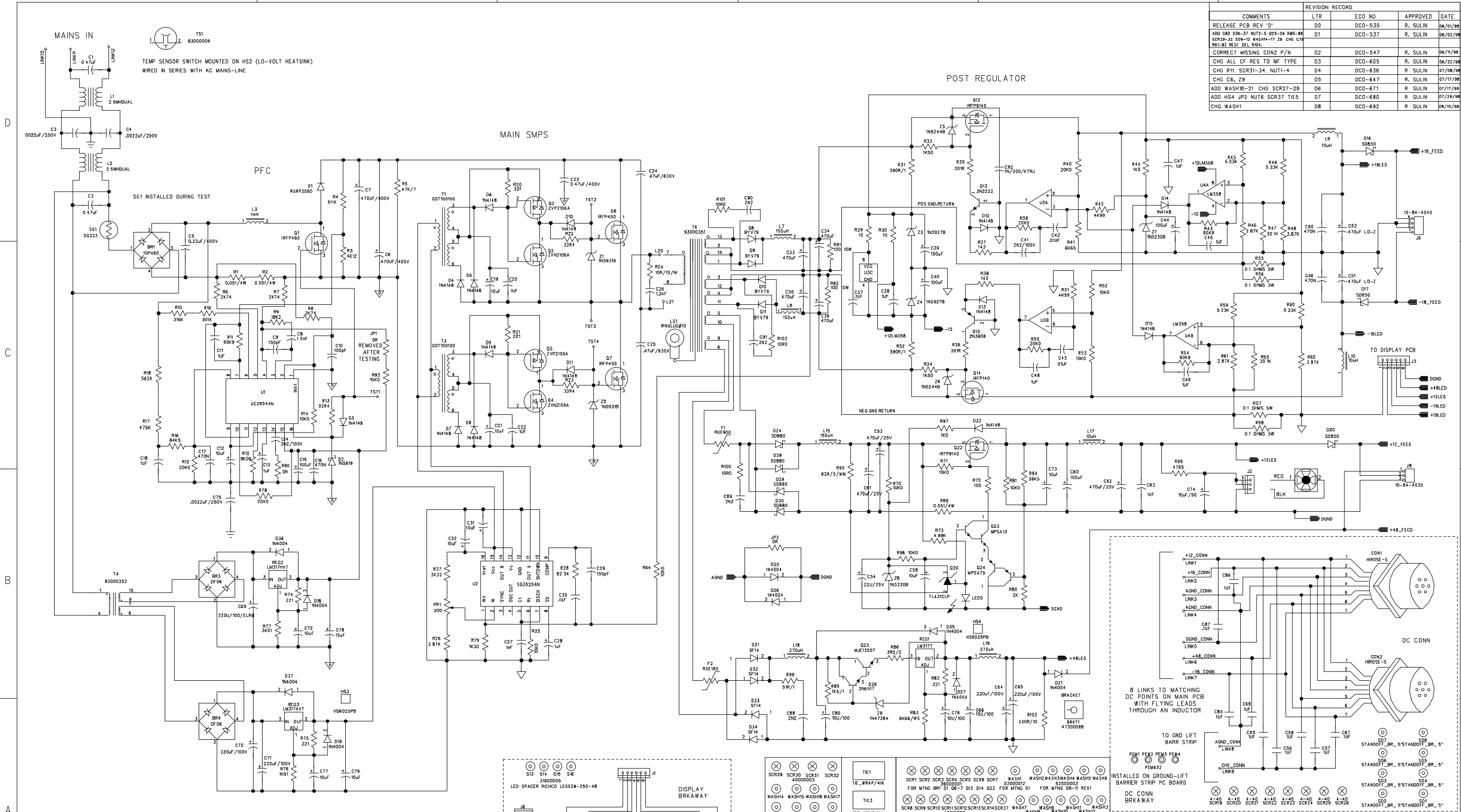
TITLE: **X-8, XVCA Meter circuitry**

METER RECT & LAMP DIM
POWER DISTRO & METER ILLUM

DRAWN: JRP	DATED: 22 AUG 97
CHECKED: TAZ	DATED: 1/15/98
LATEST REV: JRP	DATED: 1/15/99
RELEASED:	DATED:

CREST P/N 697-25	SIZE: C	DRAWING NO: 76D3661	REV: 00
SCALE:		FILE NAME: X8METER0.SCH	
SHEET: 1 OF 2			

COMMENTS	REVISION	RECORD	LTR	ECO NO	APPROVED	DATE
RELEASE PCB REV 'D'	D0	DCO-535	R. SULIN	06/01/98		
ADD C40 D36-37 NUTS-5 Q25-26 R65-R68	D1	DCO-537	R. SULIN	06/03/98		
SCR29-32 S09-12 WASH18-17 Z8 CHG C78						
R61-62 RES1 DEL D024						
CORRECT MISSING CONZ P/N	D2	DCO-547	R. SULIN	06/11/98		
CHG ALL CF RES TO MF TYPE	D3	DCO-605	R. SULIN	06/22/98		
CHG R11, SCR31-34, NUT1-4	D4	DCO-636	R. SULIN	07/08/98		
CHG C6, Z9	D5	DCO-647	R. SULIN	07/17/98		
ADD WASH18-21 CHG SCR27-28	D6	DCO-671	R. SULIN	07/17/98		
ADD HS4 JP2 NUT6 SCR37 TIE5	D7	DCO-680	R. SULIN	07/29/98		
CHG WASH1	D8	DCO-692	R. SULIN	08/10/98		



CREST AUDIO

TITLE: X-SERIES CONSOLE POWER SUPPLY FOR PCB REV 'D'

DRAWN C SOPPELSA J ANDREADIS DATED 02 JUN 98

CHECKED R SULIN DATED 10 AUG 98

QUALITY CONTROL DATED

RELEASED DATED

ITEM MASTER ID: EN-3565D-V0

NEXT HIGHEST LEVEL: EN-XP505-V0

CODE: 71D3565

SCALE: NONE

SHEET 1 OF 1