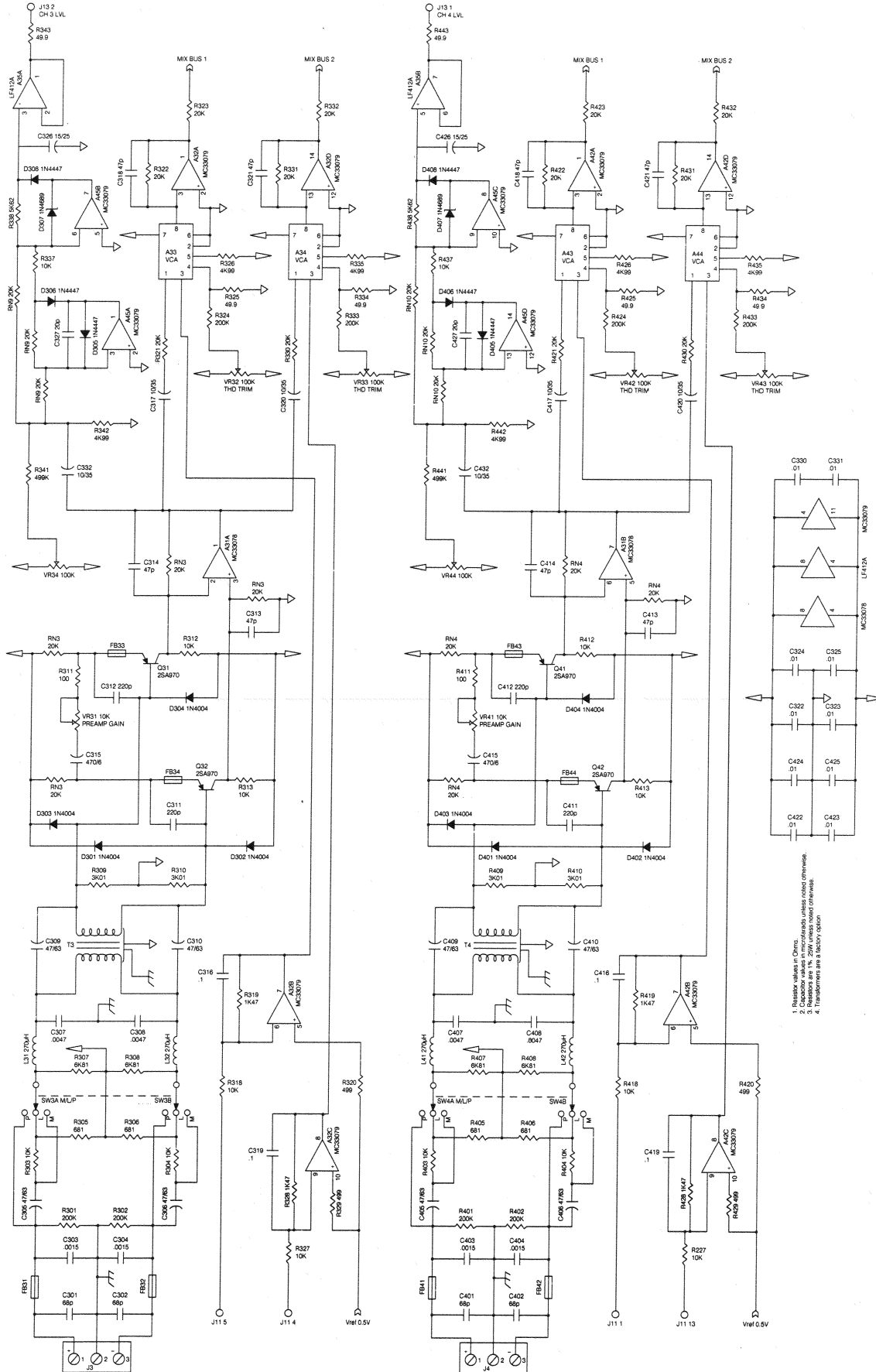
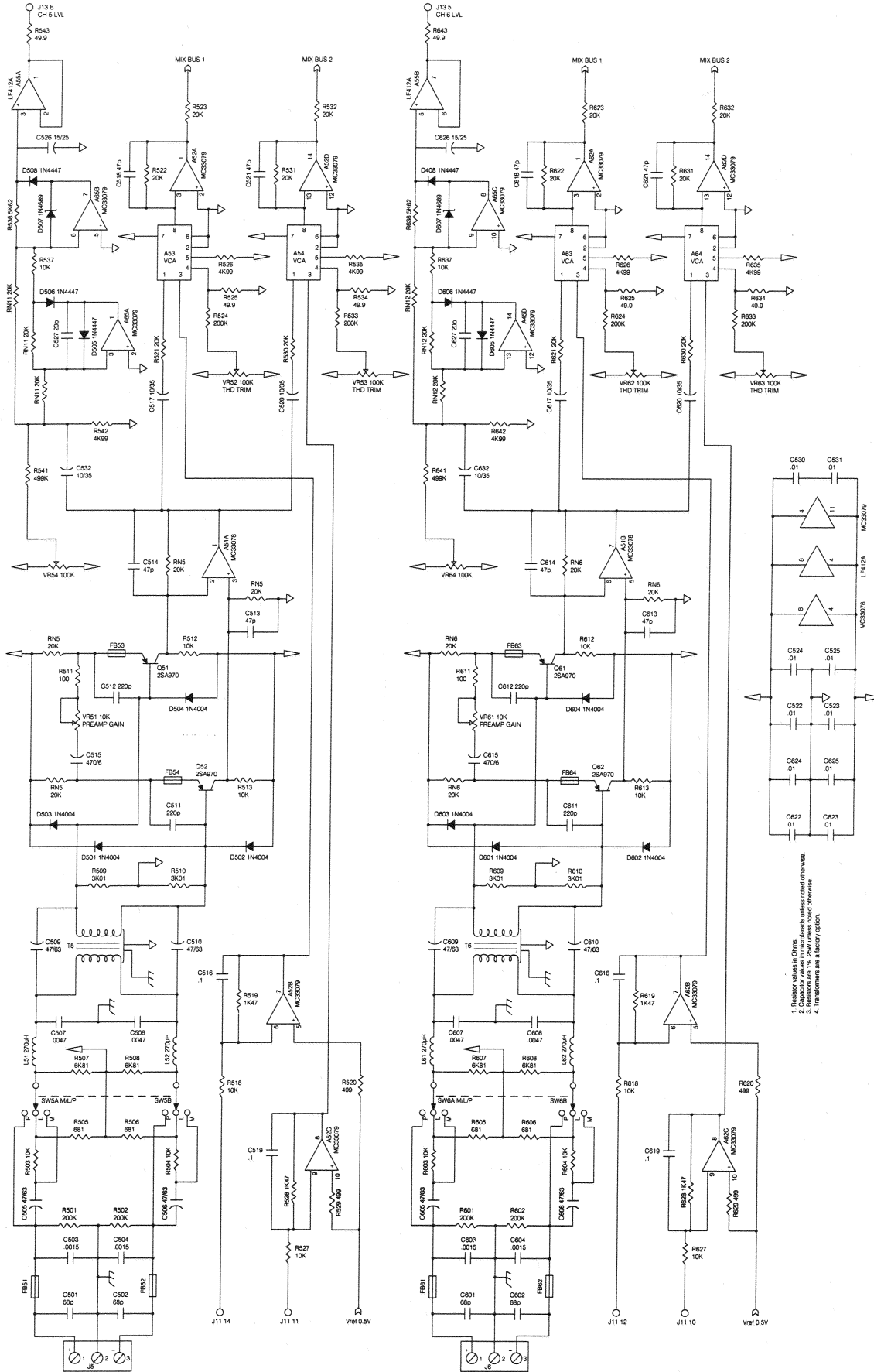


- 1 Resistor values in Ohms
- 2 Capacitor values in microfarads unless noted otherwise
- 3 Resistor values in 1%, 5% unless noted otherwise
- 4 Transistors are in 2N family type

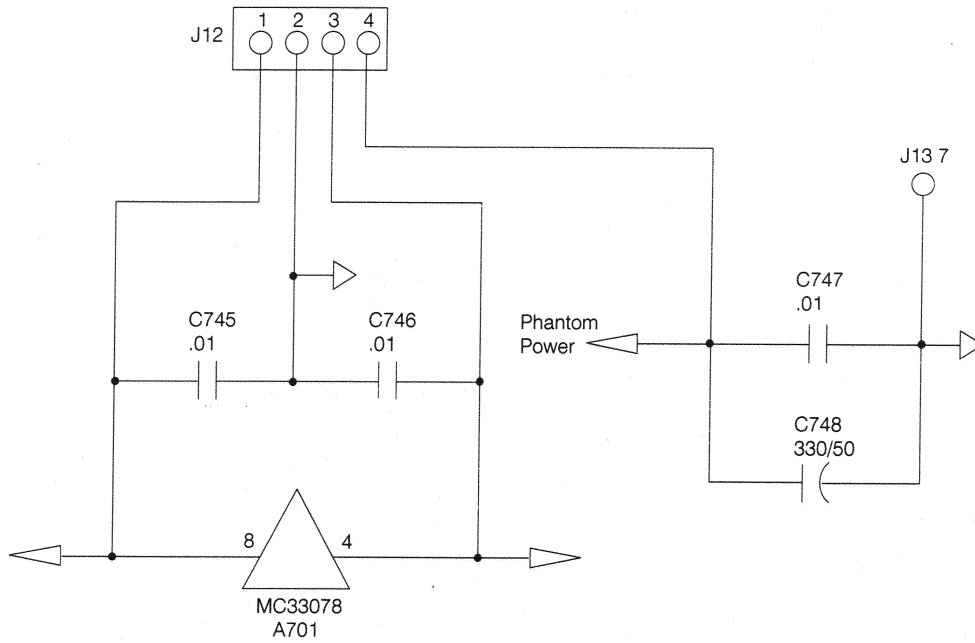


1. Resistor values in Ohms.  
 2. Resistor values in Kilo Ohms.  
 3. Resistor values in Mega Ohms.  
 4. Transformers are a factory option.

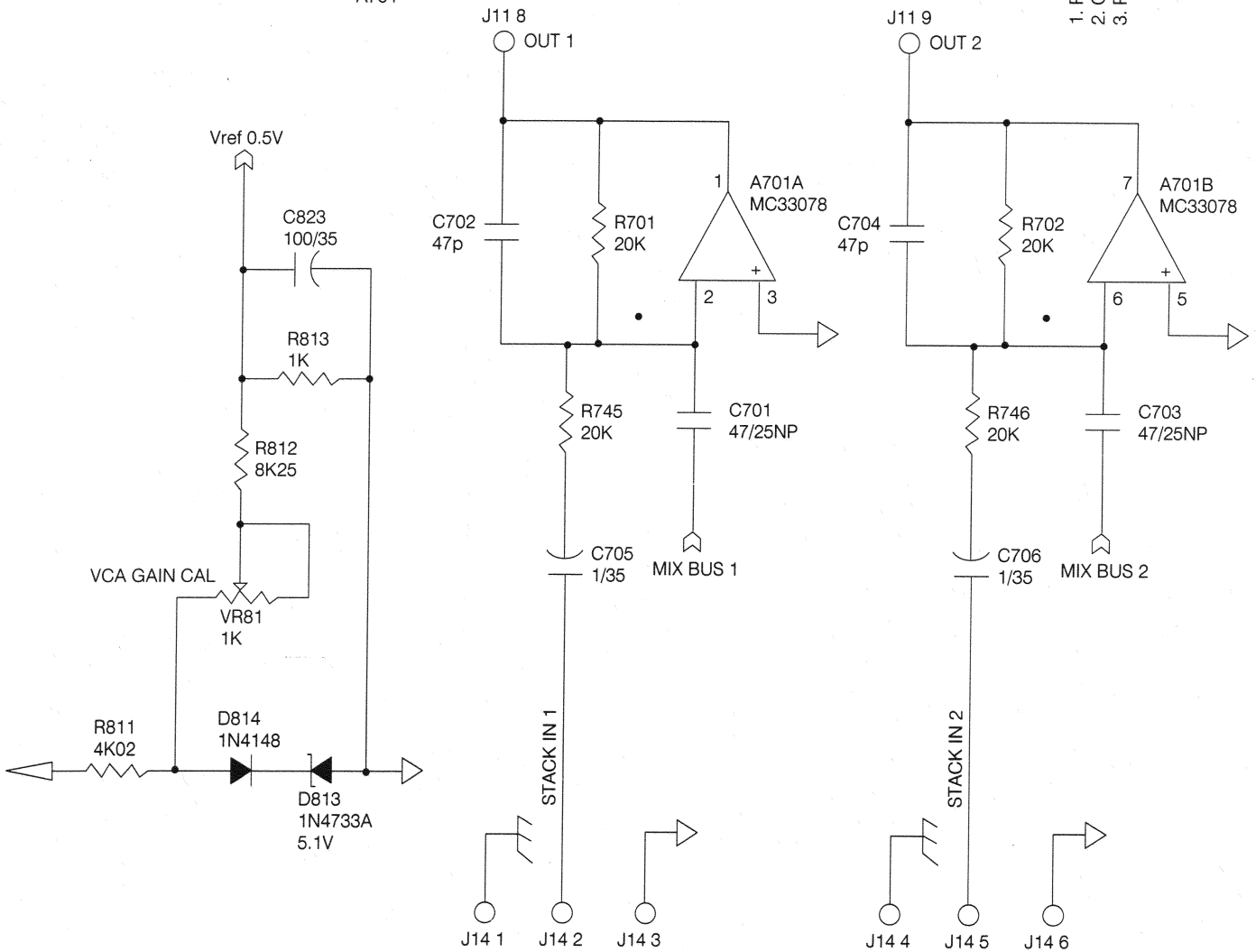
SMX/AMB Audio Inputs 3 and 4 Schematic



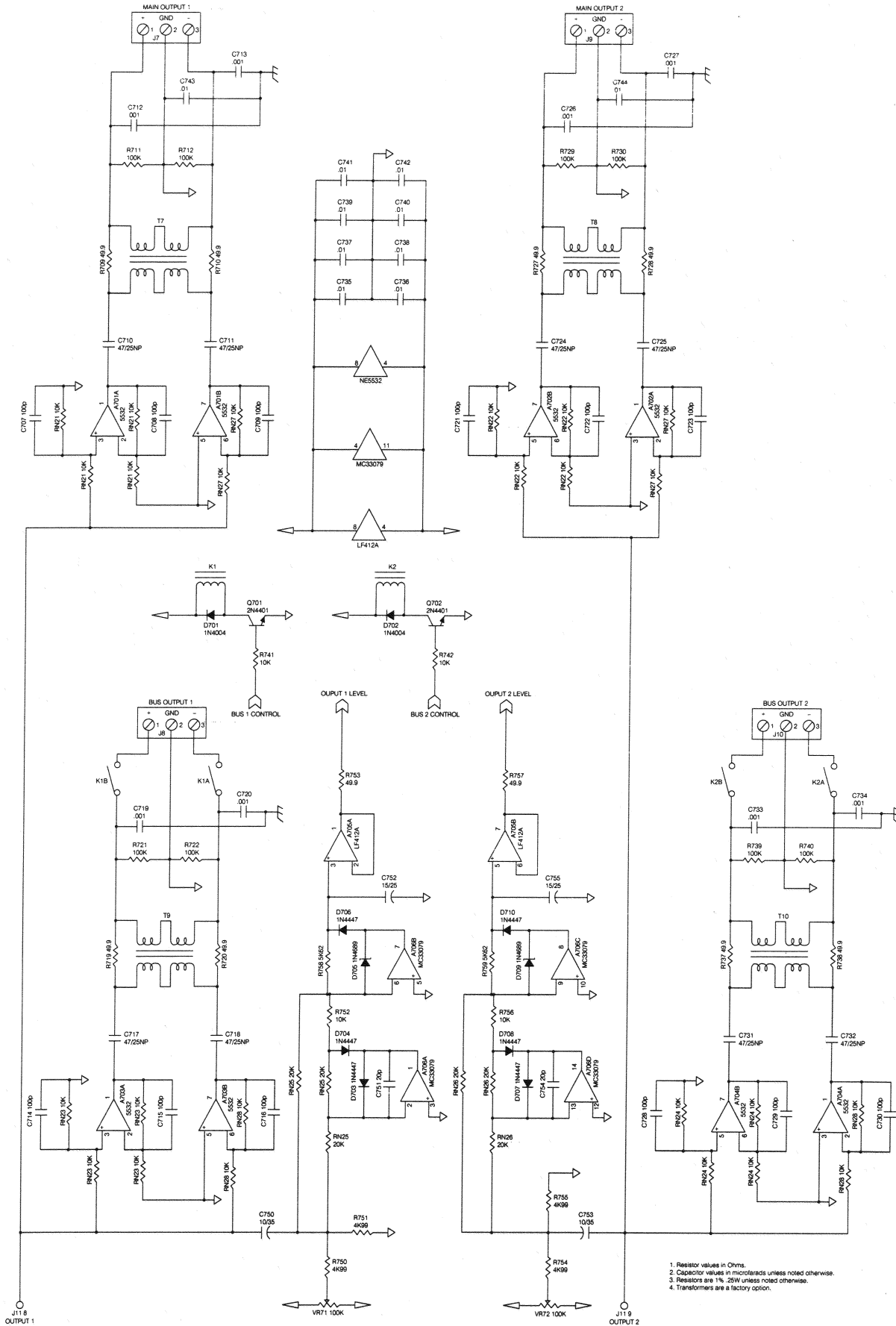
1. Resistor values in Ohms.  
 2. Resistor values in Kiloohms unless noted otherwise.  
 3. Resistor values in Megaohms unless noted otherwise.  
 4. Transformers are a factory option.



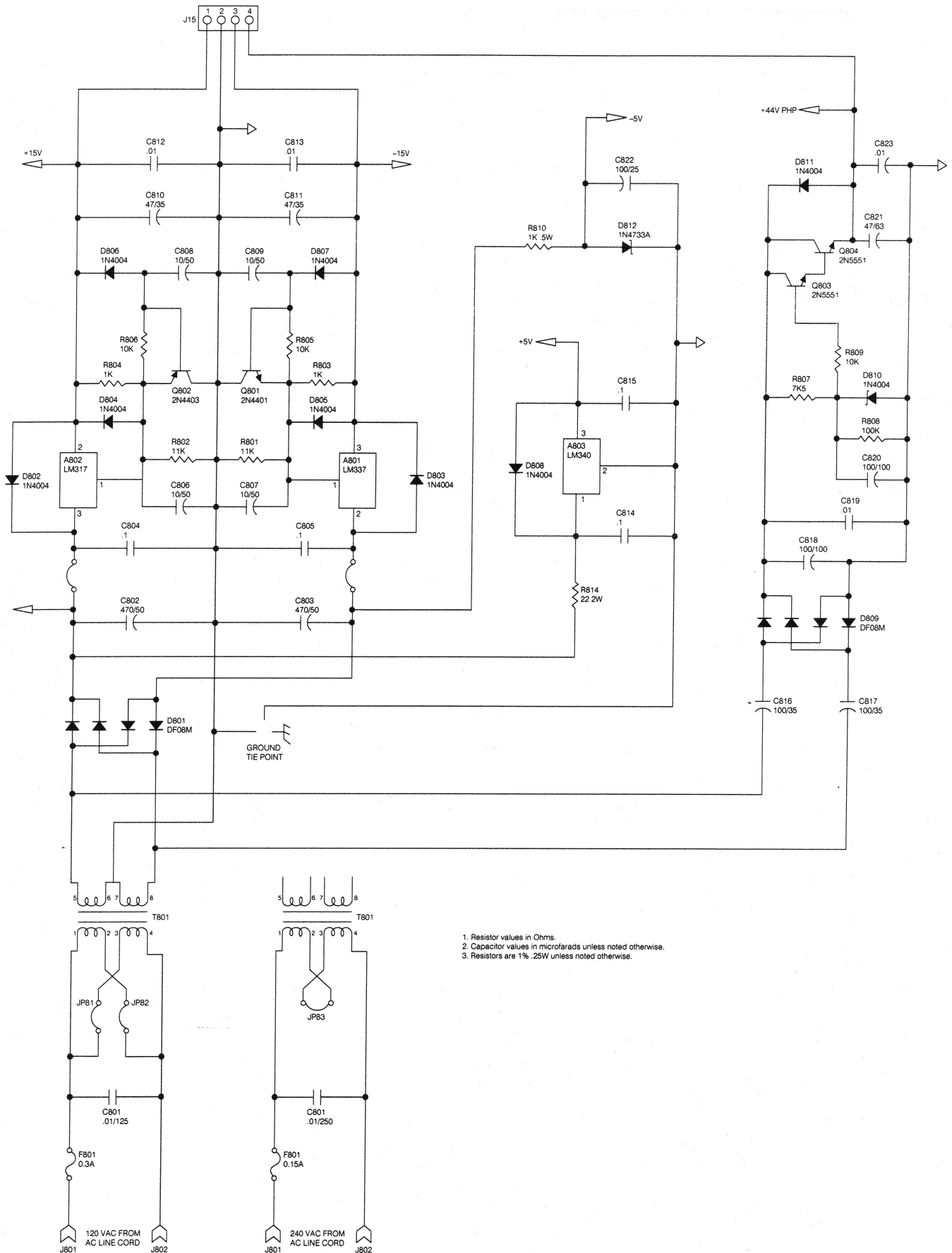
1. Resistor values in Ohms.
2. Capacitor values in microfarads unless noted otherwise.
3. Resistors are 1% .25W unless noted otherwise.



SMX/AMB VCA Gain Calibration and Stack Input Schematic

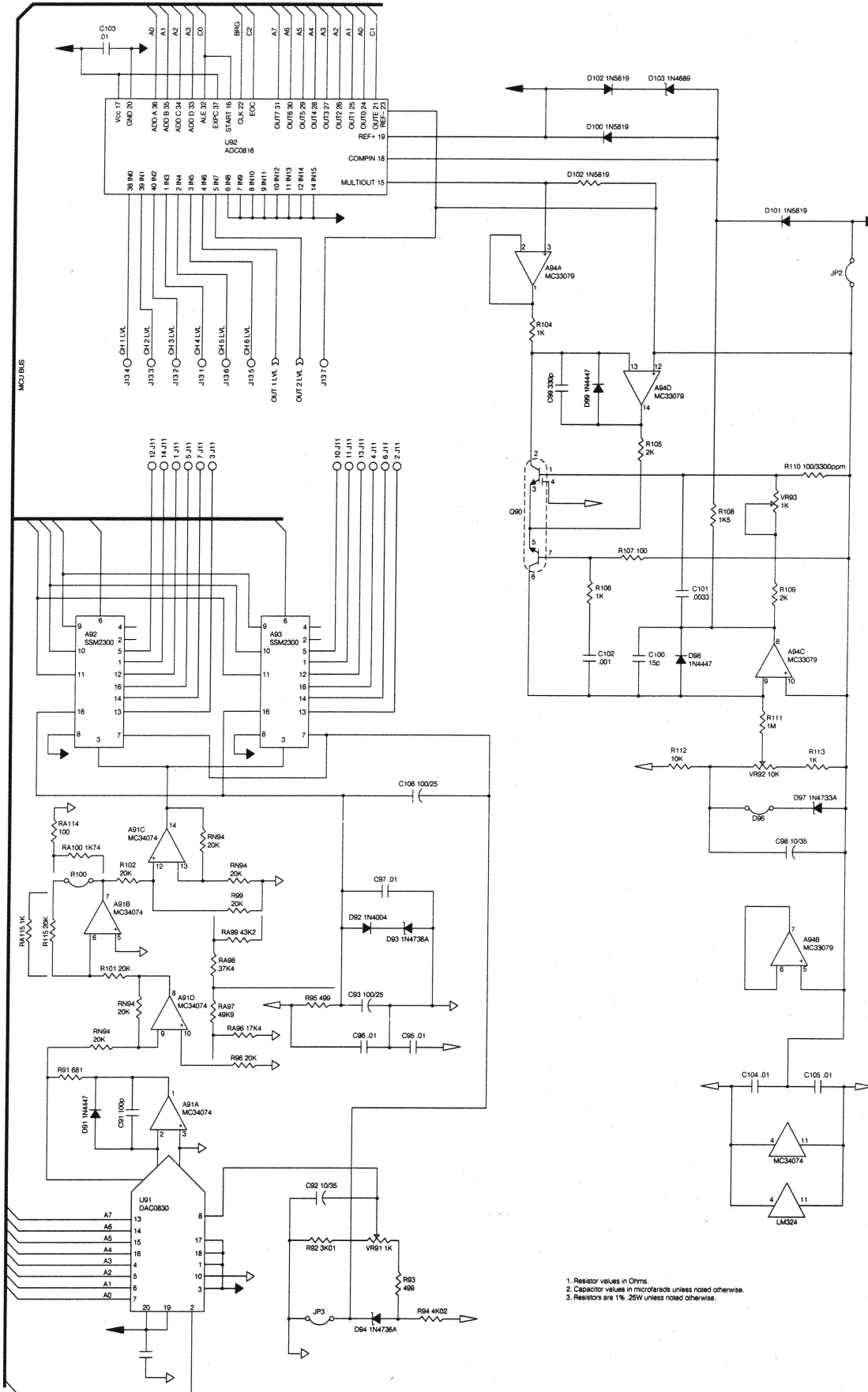


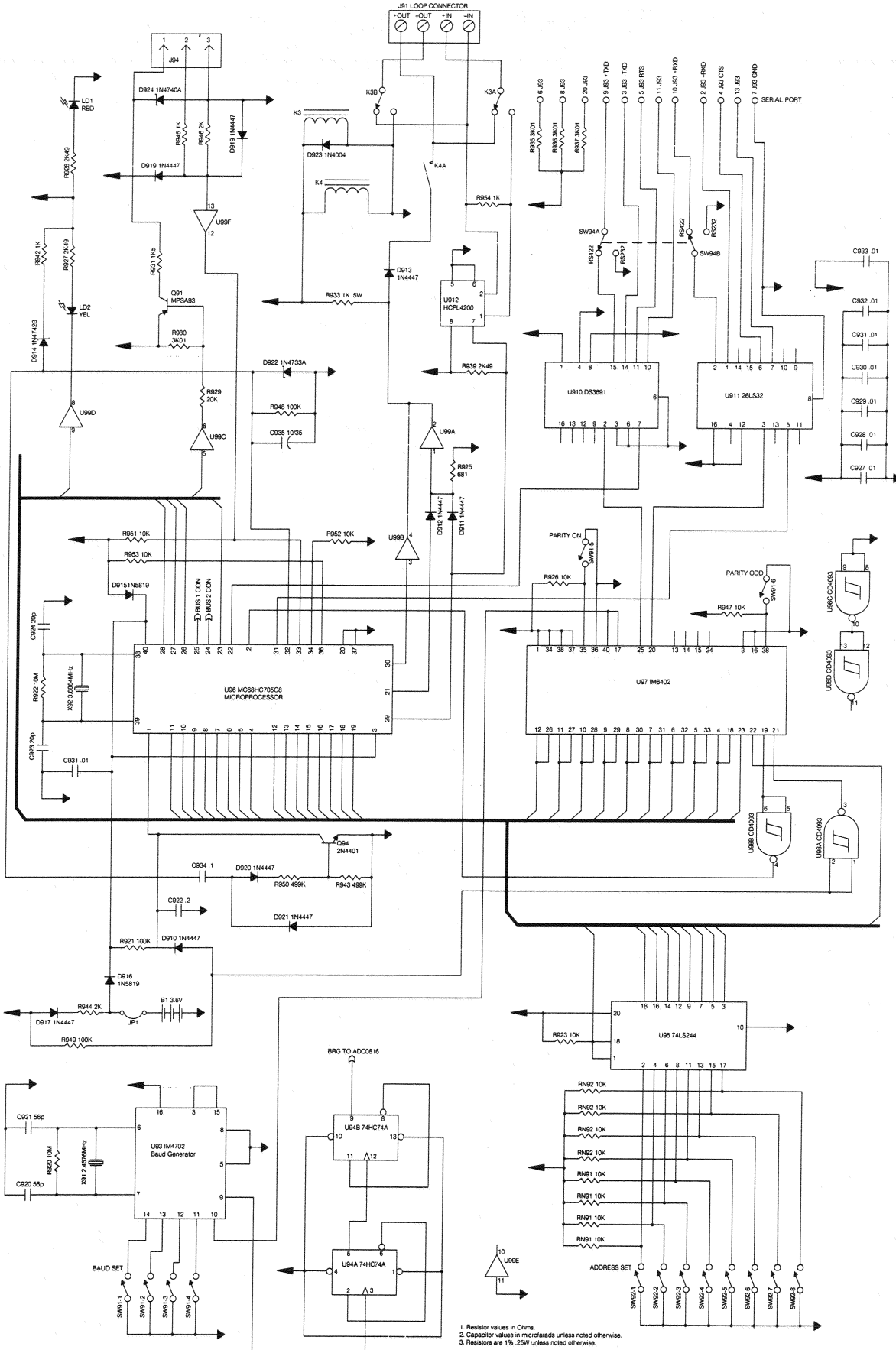
1. Resistor values in Ohms.
2. Capacitor values in microfarads unless noted otherwise.
3. Resistors are 1%, 25W unless noted otherwise.
4. Transformers are a factory option.



1. Resistor values in Ohms.
2. Capacitor values in microfarads unless noted otherwise.
3. Resistors are 1% .25W unless noted otherwise.

SMX/AMB Power Supply Schematic





1. Resistor values in Ohms.  
 2. Capacitor values in microfarads unless noted otherwise.  
 3. Resistors are 1% .25W unless noted otherwise.