

E.C.N.	ZONE	REV	DESCRIPTION	DATE	BY	APPROVED
JO412-7A		0	REVISIONS PER ECH	11-21-80	RTG	TLG

CROWN INTERNATIONAL, INC.
1738 WEST MIDWAY ROAD ELKHART, IN 46517 PHONE (219) 294-0010

SCHEMATIC: MR MAIN

DRAWN	RTS	9-20-80	APPROVED BY	DO NOT SCALE PRINT
CHECKED	JF	10-29-80	HE	SUPPLIES JO392-1 2-5-80
REL FOR TOOLING	BY J.M.	DATE 10-29-80	SCALE NONE	E.C.N. JO412-7
REL FOR PROD	BY J.M.	DATE 10-29-80	PROJ # 0182	PE J.W. 10-29-80 C.P.H.
AMPCHEM				REV

NEXT ASSEMBLY: JO412-7 (A)

- NOTES:**
- ALL RESISTORS ARE IN OHMS, 1/4W. 1% UNLESS OTHERWISE SPECIFIED.
 - ALL CAPACITORS ARE IN MICROFARADS UNLESS OTHERWISE SPECIFIED.
 - VALUES FOR R176 AND R276 VARY BY MODEL AS FOLLOWS:
COMMON UNITS = 2.87K 1% AND/OR 10K 1%
 - CHANNEL 1 SHOWN. FOR CHANNEL 2 ADD 100 TO REFERENCE DESIGNATORS. EXAMPLE: CHANNEL 1 Q101 BECOMES CHANNEL 2 Q201. CONNECTOR AND IC PIN NUMBERS FOR CHANNEL 2 ARE SHOWN IN PARENTHESES WHEN THEY DIFFER FROM CHANNEL 1.
 - ALL DIODES ARE 1N4148 UNLESS OTHERWISE SPECIFIED.
 - ON J208 AND J209 THE STRAPE WIRE GOES TO PIN 40 OF THE BOARD AND THE PIN NUMBER IS SHOWN ON THE LABEL. DIODES ARE REFERRED TO BY CHANNEL NUMBER ON THE LABELS AND SCHEMATIC.
 - STANDARD UNIT HAS RED OPEN. INSTALL LAMP IN BIC TO DISABLE CHANNEL 2 SIGNAL. INDICATOR LIGHT IN PARALLEL WITH BIC.
 - VCC = +VCC = 70V NO LOAD.
 - CHANNEL 2 PRE-DRIVER BASES LOOP THROUGH STEREO-MONO SWITCH S4.

CHANNEL 1

LAST USED	OBSOLETE
C159	C102, 121, 126-128, 131, 132, 142, 143
C214	C200, 308-311
Q129	Q100-107, 114-119
Q212	Q200-204
L302	
N102	N100
W102	W100
Q101	Q100
R101	R100, 170, 177, 178
R102	R100
U104	

COMMON

LAST USED	OBSOLETE
C7	C3, 5, 6
Q7	Q1
R4	R2, 3, 5, 6, 9, 11-15
S1	

CONNECTOR CHART

OUTPUT BOARD J100 - J700

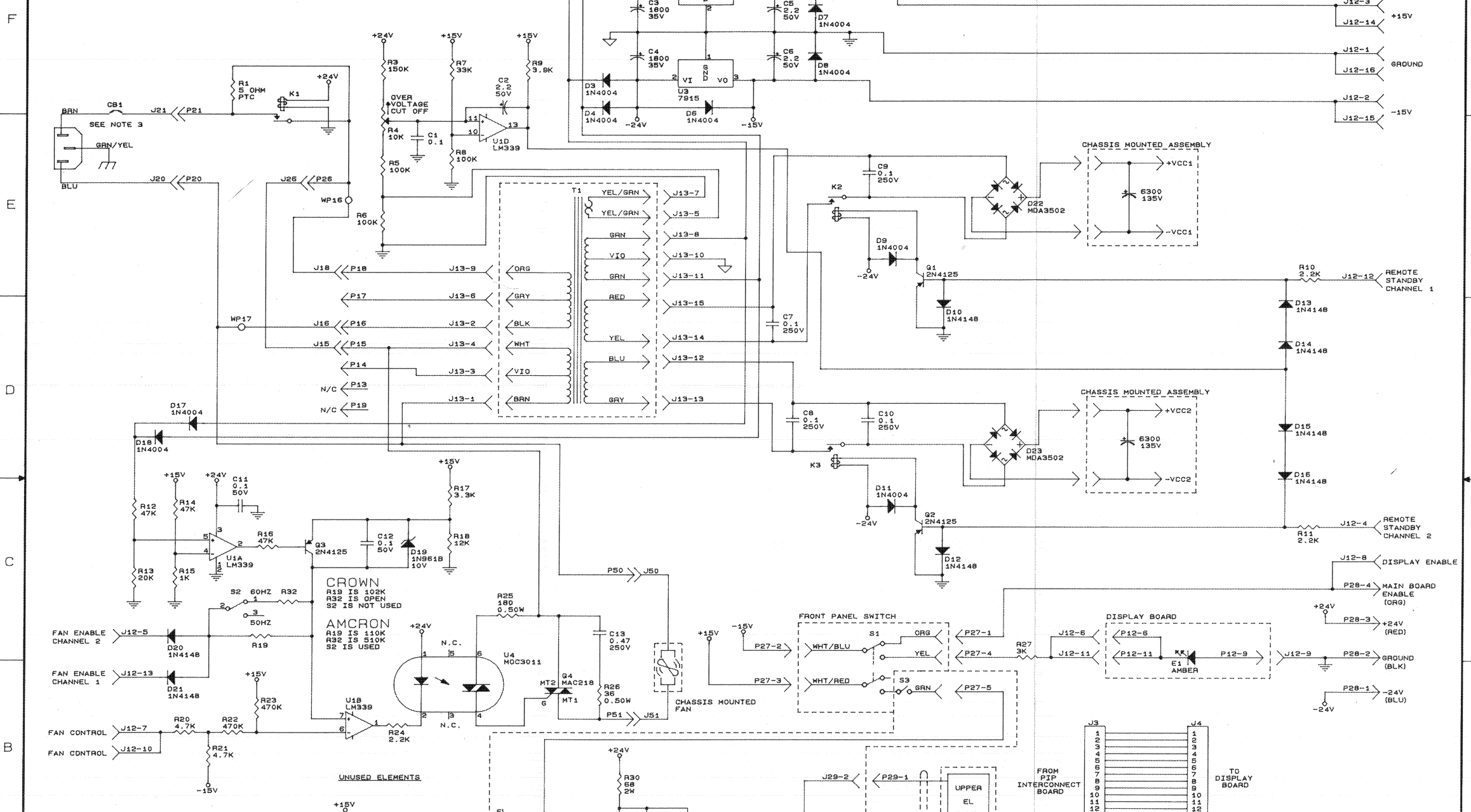
1	LN+P SENSE
2	LN- SENSE
3	VCC
4	VCC
5	VCC
6	VCC
7	LN+P CH1 + LS DRIVE
8	LN- CH1 + LS DRIVE
9	LN+P CH2 + LS DRIVE
10	LN- CH2 + LS DRIVE
11	LN+P SENSE
12	LN- SENSE
13	LN+P CH1 HIGH FREQ FEEDBK
14	LN- CH1 HIGH FREQ FEEDBK

MAIN BOARD

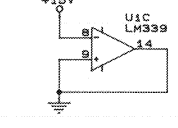
1	LN+P SENSE
2	LN- SENSE
3	LN+P CH1 HIGH FREQ FEEDBK
4	LN- CH1 HIGH FREQ FEEDBK

C.P.N. J0558-7 REV

E.C.N.	ZONE	REV	DESCRIPTION	DATE	BY	APPROVALS
		0				



UNUSED ELEMENTS



- NOTES:
1. ALL RESISTORS ARE IN OHMS, 1/4W, 5% UNLESS OTHERWISE SPECIFIED.
 2. ALL CAPACITORS ARE IN MICROFARADS UNLESS OTHERWISE SPECIFIED.
 3. CIRCUIT BREAKER RATINGS:
30 AMP / 100V - 120V
15 AMP / 220V - 240V

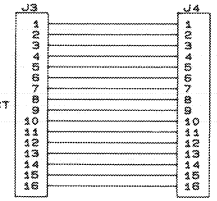
LAST USED	OBSOLETE
CB1	
C19	14, 15
D23	
E1	
K3	
G5	
R32	2
S3	
T1	
U4	
WP17	1-15

NOT USED ON AMCRON UNITS

CROWN INTERNATIONAL, INC.
1718 WEST MISHAWAKA ROAD ELKHART, IN. 46517 PHONE (219) 294-8000

SCHEM, MR CONTROL THC

PRINTS TO		DRAWN		APPROVED BY :		DO NOT SCALE PRINT	
G		KLW	12-04-92	ME			SUPERSEDES
		CHECKED		EE			E.C.N.
		SCALE	NONE	PE	RS	1-24-94	C.P.N.
		PRGJ #	D182				J0558-7
		NEXT ASSEMBLY					REV



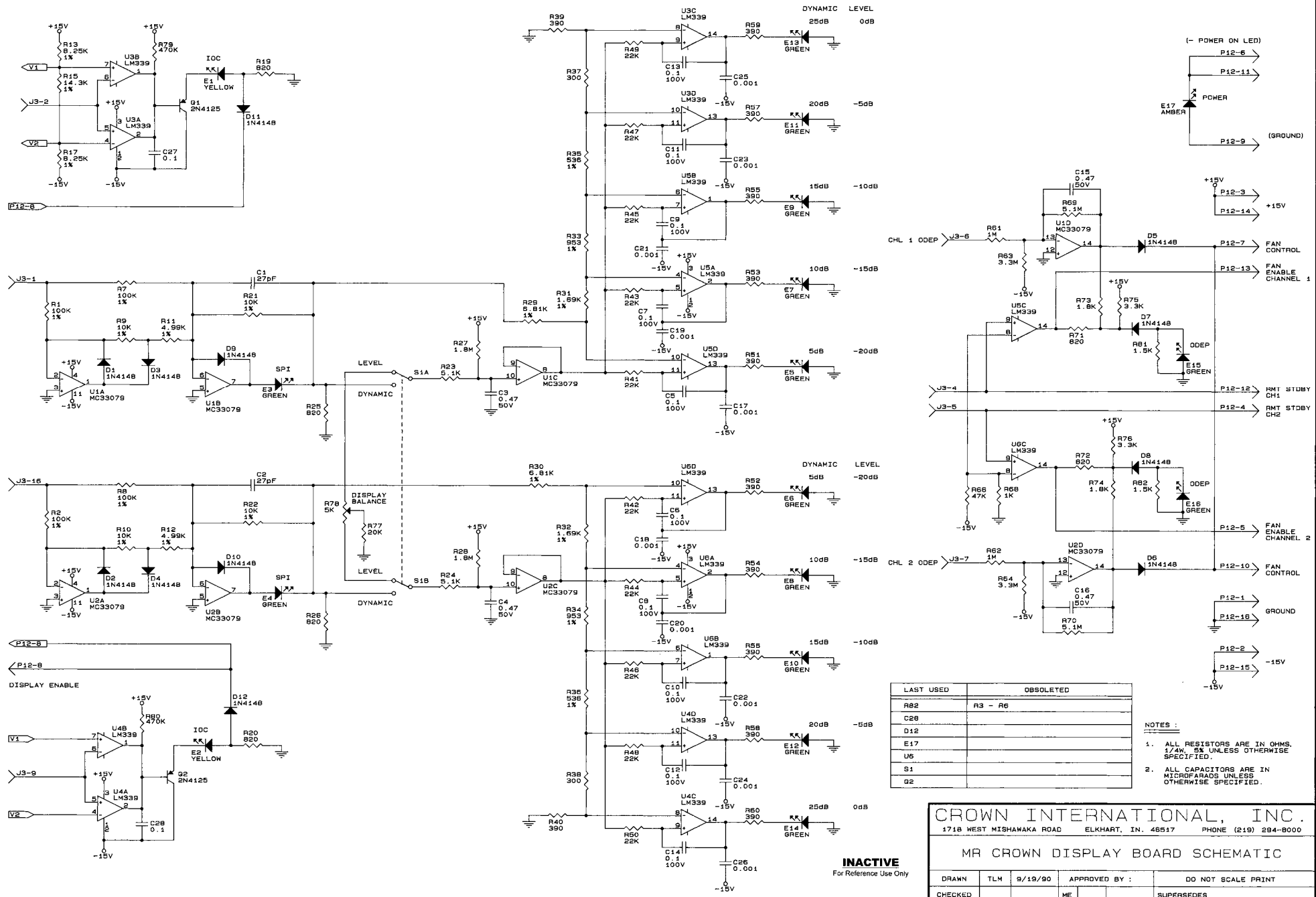
FROM PIP INTERCONNECT BOARD

TO DISPLAY BOARD

A

A

E.C.N.	ZONE	REV	DESCRIPTION	DATE	BY	APPROVALS
						CK ME EE PE



LAST USED	OBSOLETE
R82	R3 - R6
C28	
D12	
E17	
U6	
S1	
Q2	

- NOTES:
- ALL RESISTORS ARE IN OHMS, 1/4W, 5% UNLESS OTHERWISE SPECIFIED.
 - ALL CAPACITORS ARE IN MICROFARADS UNLESS OTHERWISE SPECIFIED.

CROWN INTERNATIONAL, INC.
 1718 WEST MISHAWAKA ROAD ELKHART, IN. 46517 PHONE (219) 294-8000

MR CROWN DISPLAY BOARD SCHEMATIC

DRAWN	TLM	9/19/90	APPROVED BY :	DO NOT SCALE PRINT
CHECKED			ME	SUPERSEDES
SCALE	NONE	EE		E.C.N. 90-618
REL FOR TOOLING	BY	DATE	PROJ #	D182
REL FOR PROD	BY <i>RGG</i>	DATE <i>11-6-90</i>	PE	<i>RGG 11-6-90</i>
AMPDSEIGN			NEXT ASSEMBLY	

INACTIVE
For Reference Use Only

REL FOR TOOLING	BY	DATE	PROJ #	D182	PE	<i>RGG 11-6-90</i>	C.P.N.	J0410-1	REV
REL FOR PROD	BY <i>RGG</i>	DATE <i>11-6-90</i>	PE	<i>RGG 11-6-90</i>					