



DRAWING NUMBER ISSUE

S-C300AS-05



Crown Audio, Inc.  
P.O. Box 1000  
Elkhart, IN 46515-1000  
U.S.A.  
Ph: 219-294-8000

A Harman International Company

TITLE: PULSE 4x300 AMPLIFIER

SHEET 5  
FILENAME: S-C300AS-05.SCH

DRAWN: BPV

DATE: 12-01-99

CHECKED:

MATERIAL:

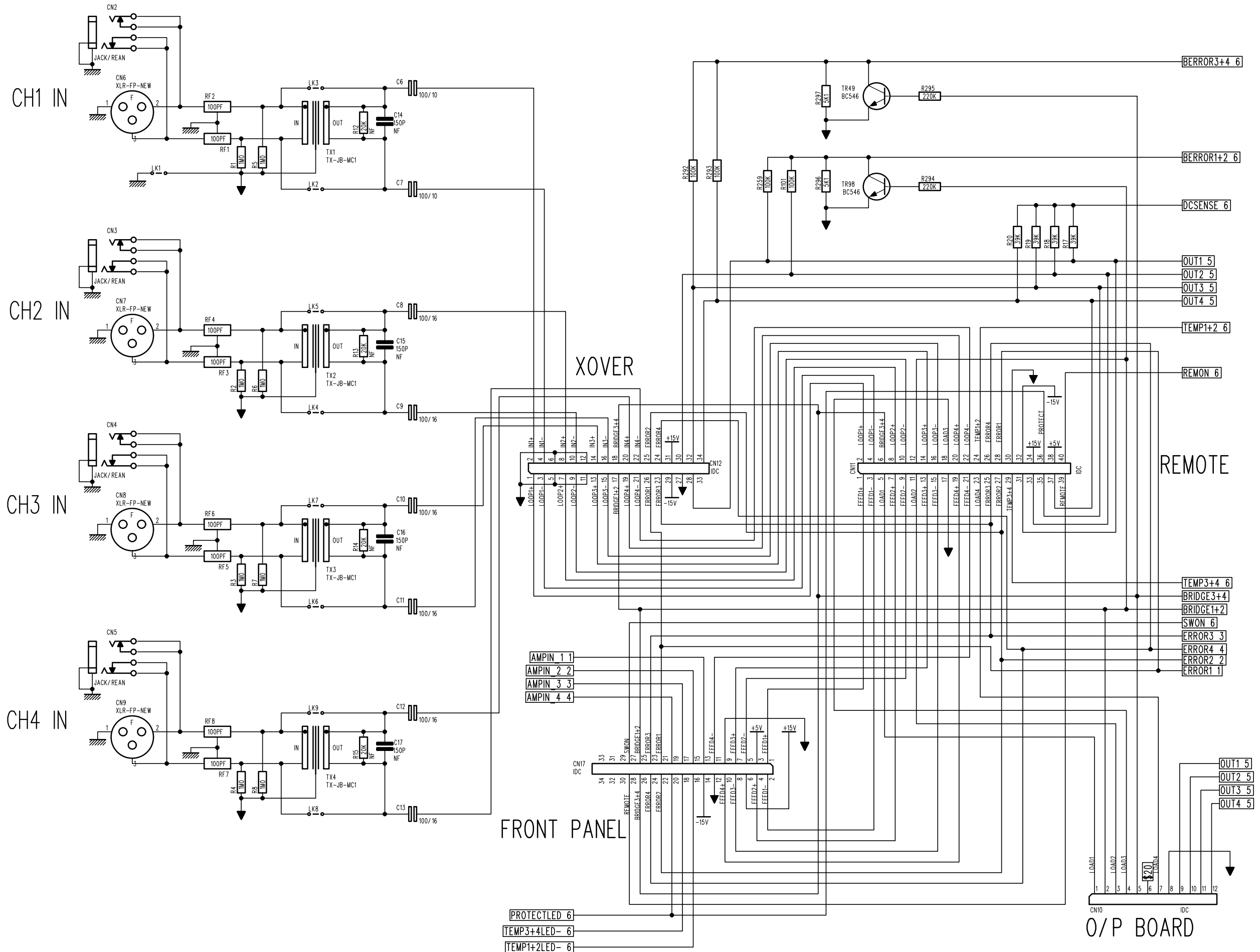
FINISH:

ISSUE COMMENTS:

1. PRODUCTION RELEASE 12-08-98
2. ECN0128 12-01-99
3. ECN0150 19-04-99
4. TX7 CIRCUIT SYMBOL UPDATED
- 4a. ECN0190 12-07-99
- 4B. ECN0251 15/11/99
- 4c. ECN0624 03/12/99
- 4D. ECN0275 11/01/00
5. ECN0333 05/05/00

PART NUMBER:

THESE DRAWINGS AND SPECIFICATIONS ARE THE PROPERTY OF CROWN AUDIO, INC., AND SHALL NOT BE REPRODUCED, COPIED, OR USED AS THE BASIS FOR THE MANUFACTURE OR SALE OF APPARATUS OR DEVICES WITHOUT PERMISSION.  
© 2001 CROWN AUDIO, INC.



O/P BOARD

DRAWING NUMBER ISSUE

S-C300AS-05



Crown Audio, Inc.  
P.O. Box 1000  
Elkhart, IN 46515-1000  
U.S.A.  
Ph: 219-294-8000

A Harman International Company

TITLE: PULSE 4x300 AMPLIFIER

SHEET 7

FILENAME: S-C300AS-05.SCH

DRAWN: BPV

DATE: 12-01-99

CHECKED:

MATERIAL:

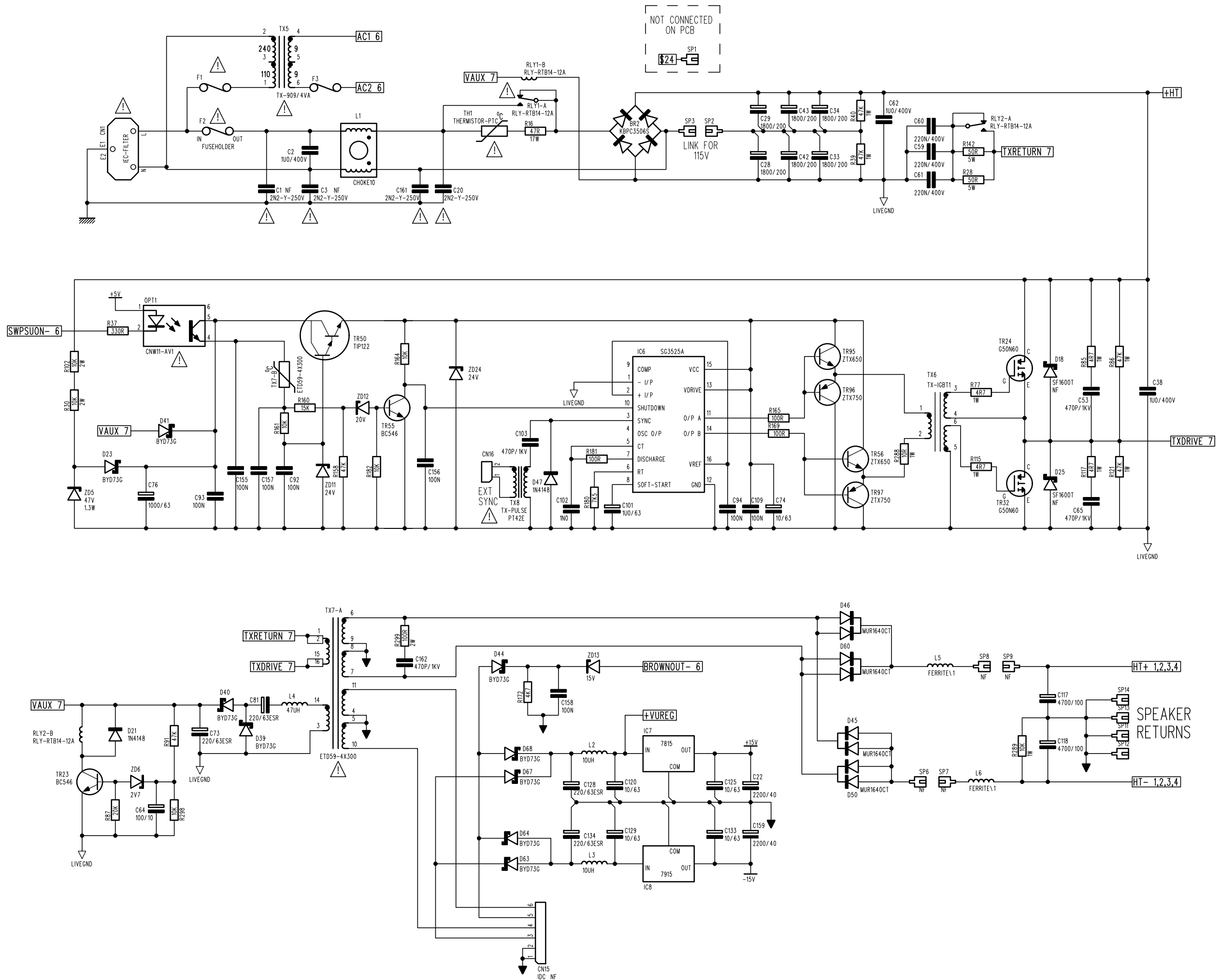
FINISH:

ISSUE COMMENTS:

1. PRODUCTION RELEASE 12-08-98
2. ECN0128 12-01-99
3. ECN0150 19-04-99
4. TX7 CIRCUIT SYMBOL UPDATED
- 4a. ECN0190 12-07-99
- 4B. ECN0251 15/11/99
- 4c. ECN0624 03/12/99
- 4D. ECN0275 11/01/00
5. ECN0333 05/05/00

PART NUMBER:

THESE DRAWINGS AND SPECIFICATIONS ARE THE PROPERTY OF CROWN AUDIO, INC., AND SHALL NOT BE REPRODUCED, COPIED, OR USED AS THE BASIS FOR THE MANUFACTURE OR SALE OF APPARATUS OR DEVICES WITHOUT PERMISSION.  
© 2001 CROWN AUDIO, INC.



DRAWING NUMBER ISSUE

S-C300AS-05



Crown Audio, Inc.  
P.O. Box 1000  
Elkhart, IN 46515-1000  
U.S.A.  
Ph: 219-294-8000

A Harman International Company

TITLE: PULSE 4x300 AMPLIFIER

SHEET 6

FILENAME: S-C300AS-05.SCH

DRAWN: BPV

DATE: 12-01-99

CHECKED:

MATERIAL:

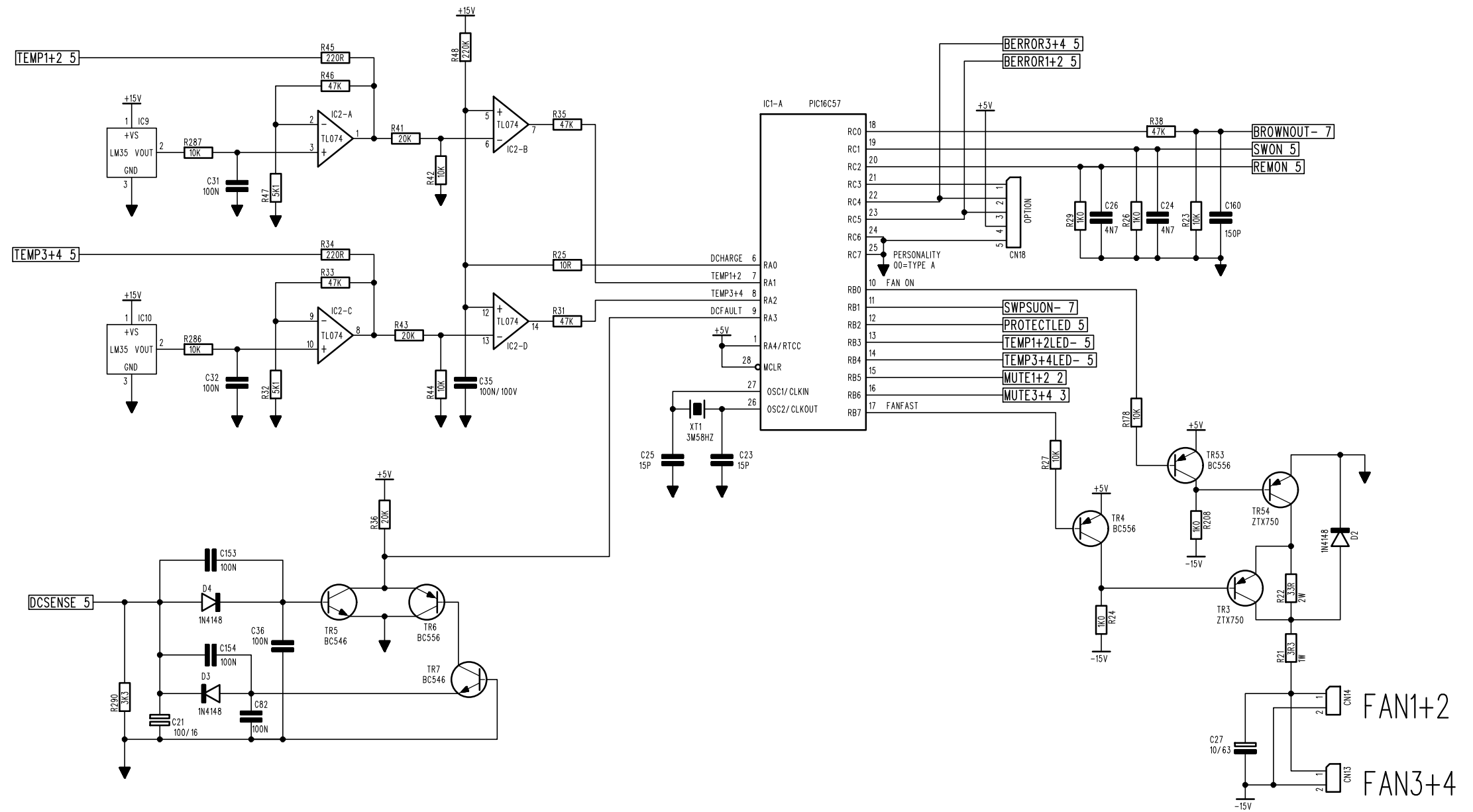
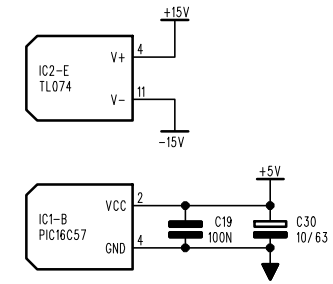
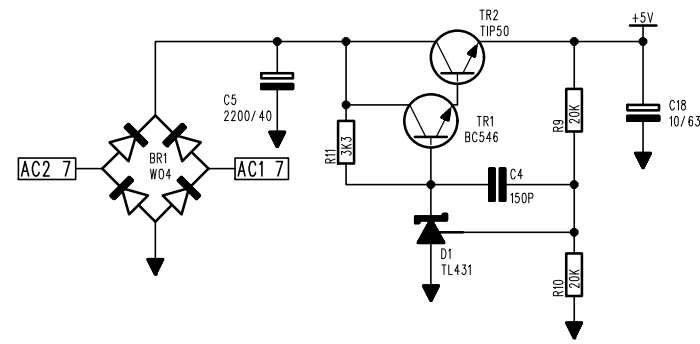
FINISH:

ISSUE COMMENTS:

1. PRODUCTION RELEASE 12-08-98
2. ECN0128 12-01-99
3. ECN0150 19-04-99
4. TX7 CIRCUIT SYMBOL UPDATED
- 4a. ECN0190 12-07-99
- 4B. ECN0251 15/11/99
- 4c. ECN0624 03/12/99
- 4D. ECN0275 11/01/00
5. ECN0333 05/05/00

PART NUMBER:

THESE DRAWINGS AND SPECIFICATIONS ARE THE PROPERTY OF CROWN AUDIO, INC., AND SHALL NOT BE REPRODUCED, COPIED, OR USED AS THE BASIS FOR THE MANUFACTURE OR SALE OF APPARATUS OR DEVICES WITHOUT PERMISSION.  
© 2001 CROWN AUDIO, INC.





DRAWING NUMBER ISSUE

# S-C300AS-05



Crown Audio, Inc.  
P.O. Box 1000  
Elkhart, IN 46515-1000  
U.S.A.  
Ph: 219-294-8000

A Harman International Company

TITLE: PULSE 4x300 AMPLIFIER

SHEET 3

FILENAME: S-C300AS-05.SCH

DRAWN: BPV

DATE: 12-01-99

CHECKED:

MATERIAL:

FINISH:

ISSUE COMMENTS:

1. PRODUCTION RELEASE 12-08-98
2. ECN0128 12-01-99
3. ECN0150 19-04-99
4. TX7 CIRCUIT SYMBOL UPDATED
- 4a. ECN0190 12-07-99
- 4B. ECN0251 15/11/99
- 4c. ECN0624 03/12/99
- 4D. ECN0275 11/01/00
5. ECN0333 05/05/00

PART NUMBER:

THESE DRAWINGS AND SPECIFICATIONS ARE THE PROPERTY OF CROWN AUDIO, INC., AND SHALL NOT BE REPRODUCED, COPIED, OR USED AS THE BASIS FOR THE MANUFACTURE OR SALE OF APPARATUS OR DEVICES WITHOUT PERMISSION.  
© 2001 CROWN AUDIO, INC.

