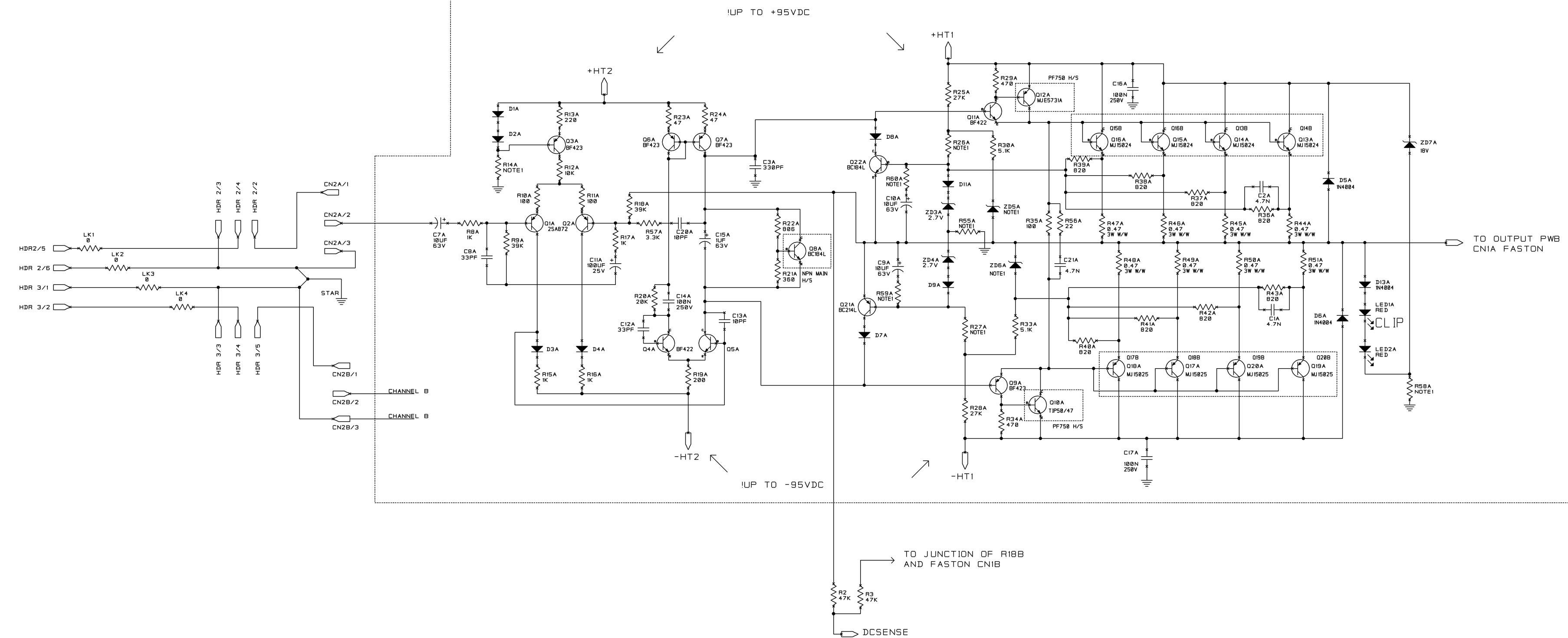


REVISION HISTORY						
E.C.N.	ZONE	REV	DESCRIPTION	DATE	DWN	APPROVED
		2	DELETE CONNECTION FROM R33A TO R40A, ADD R27A TO R40A	5/14/02	TRW	CM
		3	UPDATE XFMR PRIMARY COLORS FROM BLU/WHT TO BRN/BLU	5/22/02	TRW	CM

CHANNEL A ONLY SHOWN
CHANNEL B IS SAME EXCEPT COMPONENT
REFERENCE DESIGNATORS HAVE B SUFFIX
EXCEPT OUTPUT DEVICES AS NOTED.



XLS500, XLS400, XLS200
ALL DIODES ARE 1N4148 UNLESS OTHERWISE SPECIFIED
ALL ZENER DIODES ARE 480MM UNLESS OTHERWISE SPECIFIED
ALL RESISTORS ARE 1/4W METAL FILM UNLESS OTHERWISE SPECIFIED
ALL BF422 AND BF423 ARE PHILIPS OR TOSHIBA, DO NOT USE CARSEM (CBF1)

NOTE 1

	R14A/B	R26A/B, R27A/B	R55A/B	R58A/B, R24, R25	ZD5A/B, ZD6A/B	R59A/B, R60A/B	ZD2	BRI
XLS502	100K	20K	3.3K 1W E/F	6.8K 1W E/F	47V	75	10V	GBPC5006 50A 600V
XLS402	33K	20K	2.7K 1W E/F	5.6K 1W E/F	30V	120	9.1V	GBPC5006 50A 600V
XLS202	22K	43K	2.7K 1W E/F	4.7K 1W E/F	47V	150	9.1V	SB356 35A 600V

NOTE 2

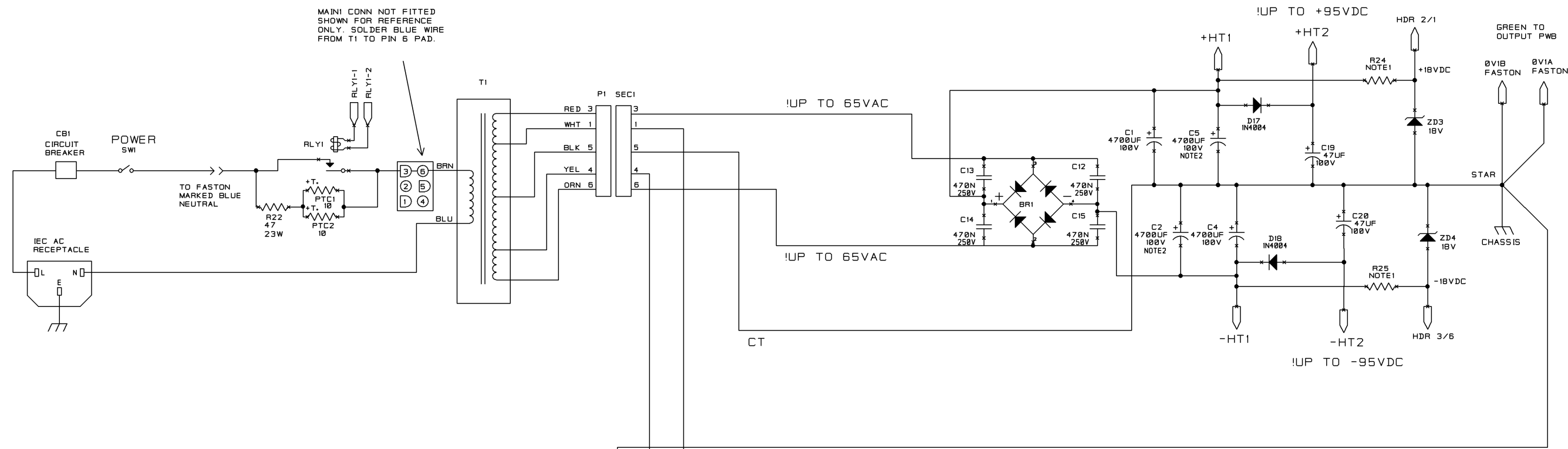
XLS402	NOT FITTED:	R37A/B, R42A/B R45A/B, R50A/B Q14A, Q20A, Q13B, Q19B
XLS202	NOT FITTED:	R37A/B, R42A/B R45A/B, R50A/B R39A/B, R40A/B R47A/B, R48A/B Q14A, Q20A, Q15A, Q18A Q13B, Q19B, Q15B, Q17B C2, C5

REFERENCE 135275-1 SCHEMATIC, XLS2U INPUT
135276-1 SCHEMATIC, XLS2U OUTPUT

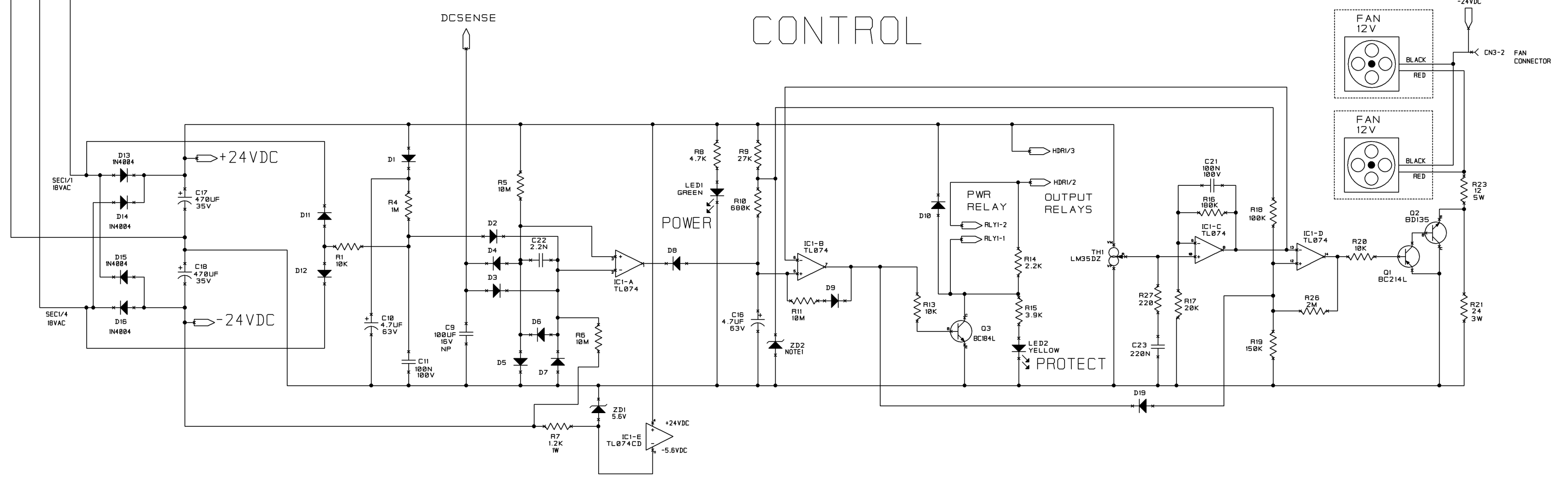
UNCONTROLLED
UNLESS OTHERWISE MARKED IN RED INK BY CM AS A
CONTROLLED COPY, COPIES OF THESE DOCUMENTS
INCLUDING ASSOCIATED ELECTRONIC REPRODUCTIONS
ARE FOR REFERENCE ONLY.
THESE DRAWINGS AND SPECIFICATIONS ARE THE
PROPERTY OF CROWN INTERNATIONAL, INC. AND
SHALL NOT BE REPRODUCED, COPIED, OR USED
AS THE BASIS FOR THE MANUFACTURE OR SALE
OF APPARATUS OR DEVICES WITHOUT PERMISSION.

DWN	TRW	5/2/02		1718 W. MISHAWAKA RD. ELKHART IN. 46517 PHONE 219/234-8800 WWW.CROWNINTL.COM
CHK	TRW			
DISTRIBUTION	CM		TITLE	
ND	PE		SCHEMATIC, XLS2U MAIN	SIZE DWG NO. D 135277-1
FILENAME				
TOLERANCE UNLESS OTHERWISE SPECIFIED			SCALE	NONE
DO NOT SCALE DRAWING			PRJ. NO.	XLS2U
			SHEET	1 OF 2

POWER SUPPLY



CONTROL



UNCONTROLLED		THESE DRAWINGS AND SPECIFICATIONS ARE THE PROPERTY OF CROWN INTERNATIONAL, INC. AND SHALL NOT BE REPRODUCED, COPIED, OR USED AS THE BASIS FOR THE MANUFACTURE OR SALE OF APPARATUS OR DEVICES WITHOUT PERMISSION.		SIZE DWG NO.	REV
D	NONE	135277-1	3		
SCALE	PRJ NO.	SHEET			
NONE	XLS2U	2 OF 2			