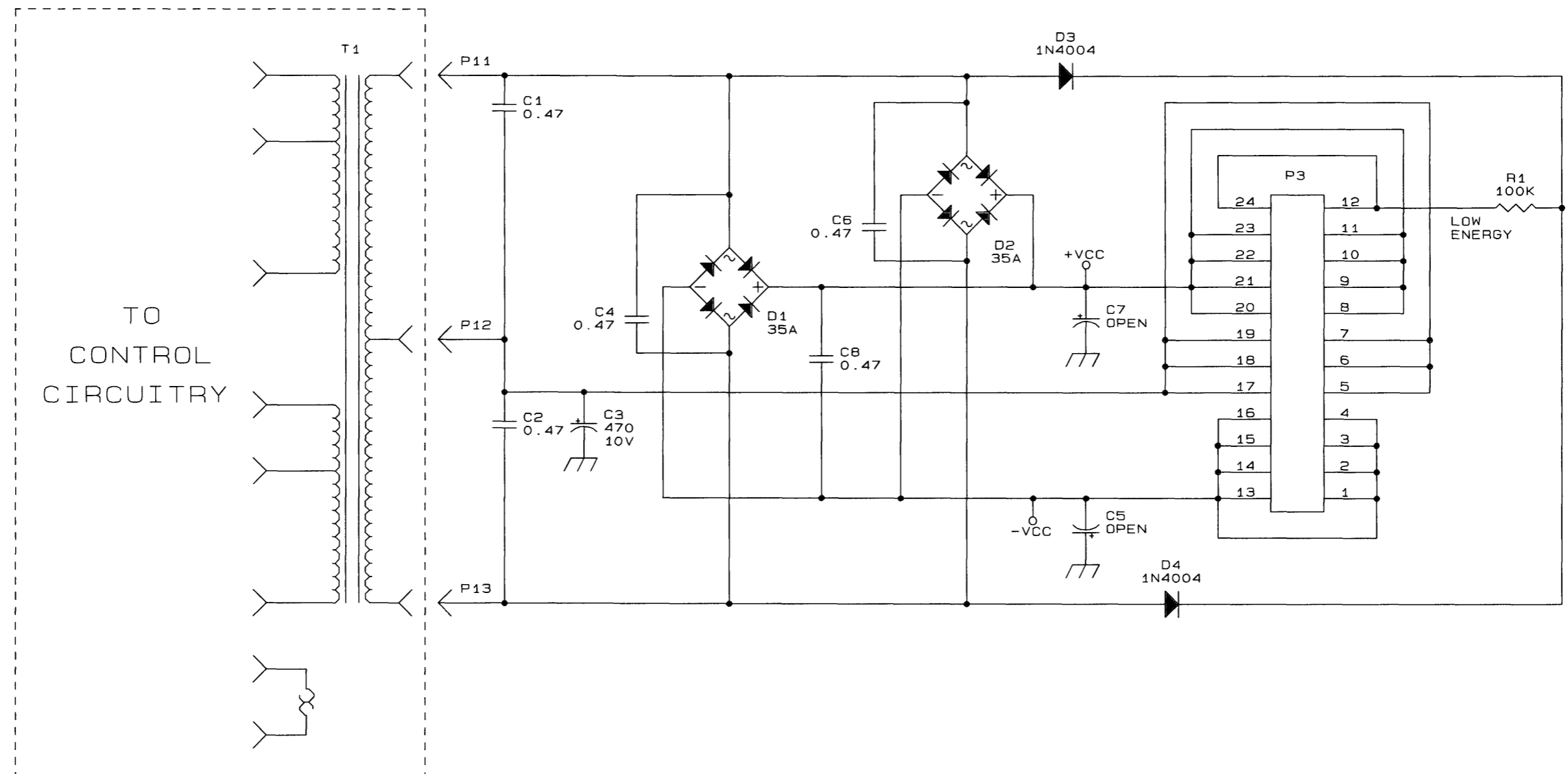


EAT #	ZONE	REV	DESCRIPTION	DATE	BY	APPROVALS			
						CK	ME	EE	PE
		A	INITIAL RELEASE	10-11-96	KLW				JW
		B	ADDED C8. C5 & C7 WERE CONNECTED TO CENTER TAP.	10-16-96	KLW				JW
98E0227		C	C5 AND C7 WERE C10497-3	06-09-98	TLM	JAW			JW



NOTES :

- THIS SCHEMATIC APPLIES TO:
PRINTED WIRING BOARD 100443-2
AND PRINTED WIRING ASSEMBLY 101865-1.

LAST USED	NOT USED
C8	
D4	
P13	1, 2, 4-11
R1	

THESE DRAWINGS AND SPECIFICATIONS ARE THE PROPERTY OF CROWN INTERNATIONAL, INC. AND SHALL NOT BE REPRODUCED, COPIED, OR USED AS THE BASIS FOR THE MANUFACTURE OR SALE OF APPARATUS OR DEVICES WITHOUT PERMISSION.

PRINTS TO	
G	

CROWN INTERNATIONAL, INC.
1718 WEST MISHAWAKA ROAD ELKHART, IN. 46517 PHONE (219) 294-8000

SCHEM, BRIDGE RECT. C/K/M SERIES

DRAWN	KLW	10-11-96	APPROVED BY :	DO NOT SCALE PRINT
CHECKED	JAW	06/08/98	ME	SUPERSEDES J0753-4
SCALE	NONE		EE	E.C.N.
PROJ #	D350	PE	JW	10-11-96
NEXT ASSEMBLY				C.P.N. 100442

REV (C)