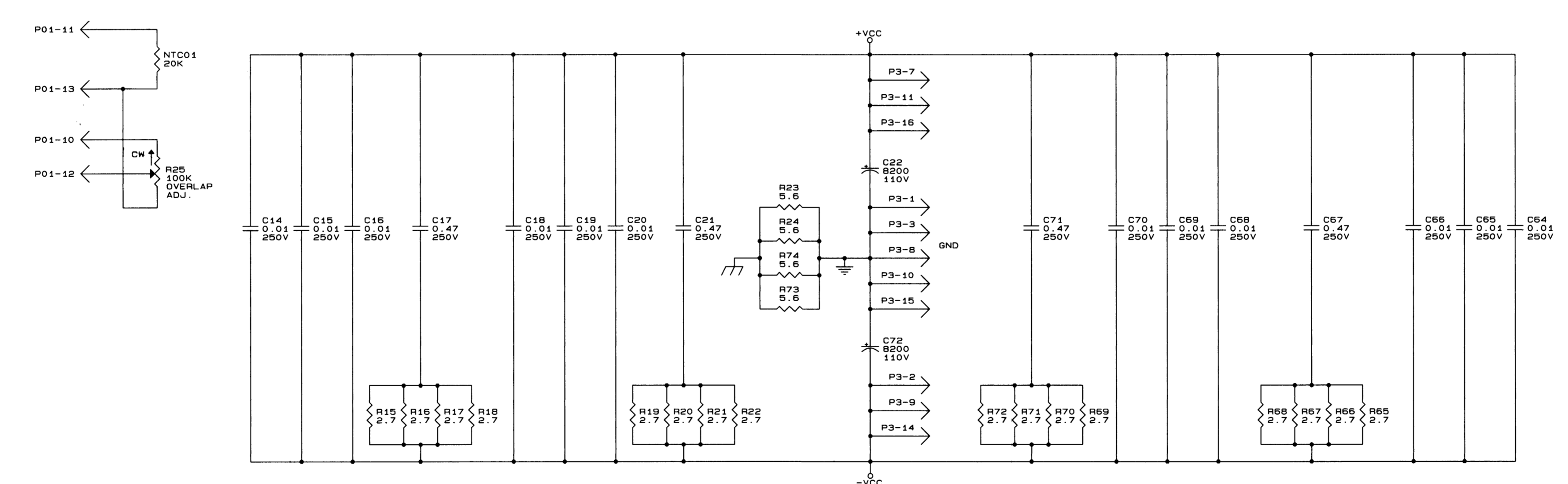
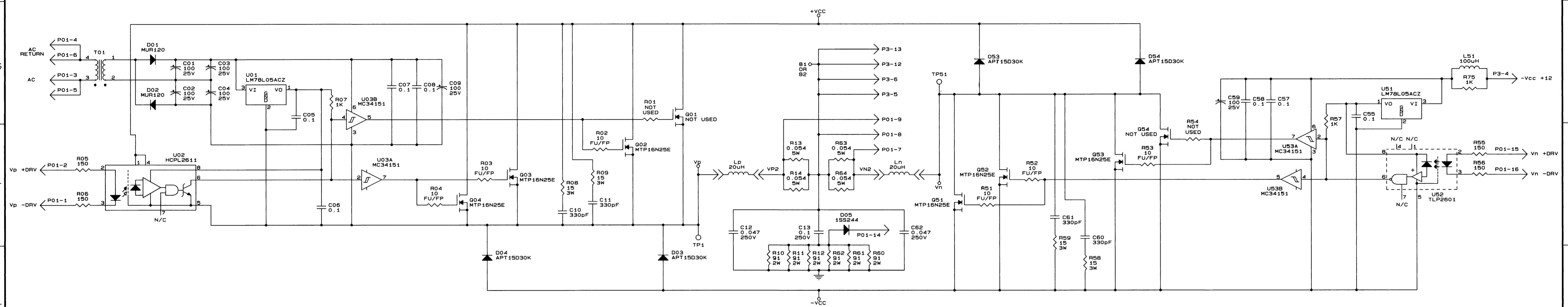


E. C.	ZONE	REV	DESCRIPTION	DATE	BY	APPROVALS
		A	INITIAL RELEASE	04-18-97	KLW	JW
S00479		B	ADDED 100437-3 AND 102176-2 TO NOTE 3. D05 WAS 1SS143.	11-03-97	KLW JAW	JY
S00479		C	RE-NUMBERED PINS ON T01.	02-13-98	JAW	KW



- NOTES :
- ALL RESISTORS ARE IN OHMS, 1/4W, 5% UNLESS OTHERWISE SPECIFIED.
 - ALL CAPACITORS ARE IN MICROFARADS UNLESS OTHERWISE SPECIFIED.
 - THIS SCHEMATIC APPLIES TO: PRINTED WIRING BOARD 100437-3 AND PRINTED WIRING ASSEMBLY 102176-2.

LAST USED	NOT USED
C72	23-54, 56, 63
D54	6-52
L51	0-50
Q54	5-50
R75	26-50
T01	
TP51	2-50
U53	4-50

CROWN INTERNATIONAL, INC.
1718 WEST WISHAWAKA ROAD ELKHART, IN. 46517 PHONE (219) 294-8000

SCH, OUTPUT K1

PRINTS TO	DRAWN	KLW	04-18-97	APPROVED BY :	DO NOT SCALE PRINT
G	CHECKED			ME	SUPERSEDES
	SCALE	NONE		EE	E. C. N.
	PROJ #	MD350S0		PE JW	4-18-97
	NEXT ASSEMBLY				102195

REV C

THESE DRAWINGS AND SPECIFICATIONS ARE THE PROPERTY OF CROWN INTERNATIONAL, INC. AND SHALL NOT BE REPRODUCED, COPIED, OR USED AS THE BASIS FOR THE MANUFACTURE OR SALE OF APPARATUS OR DEVICES WITHOUT PERMISSION.