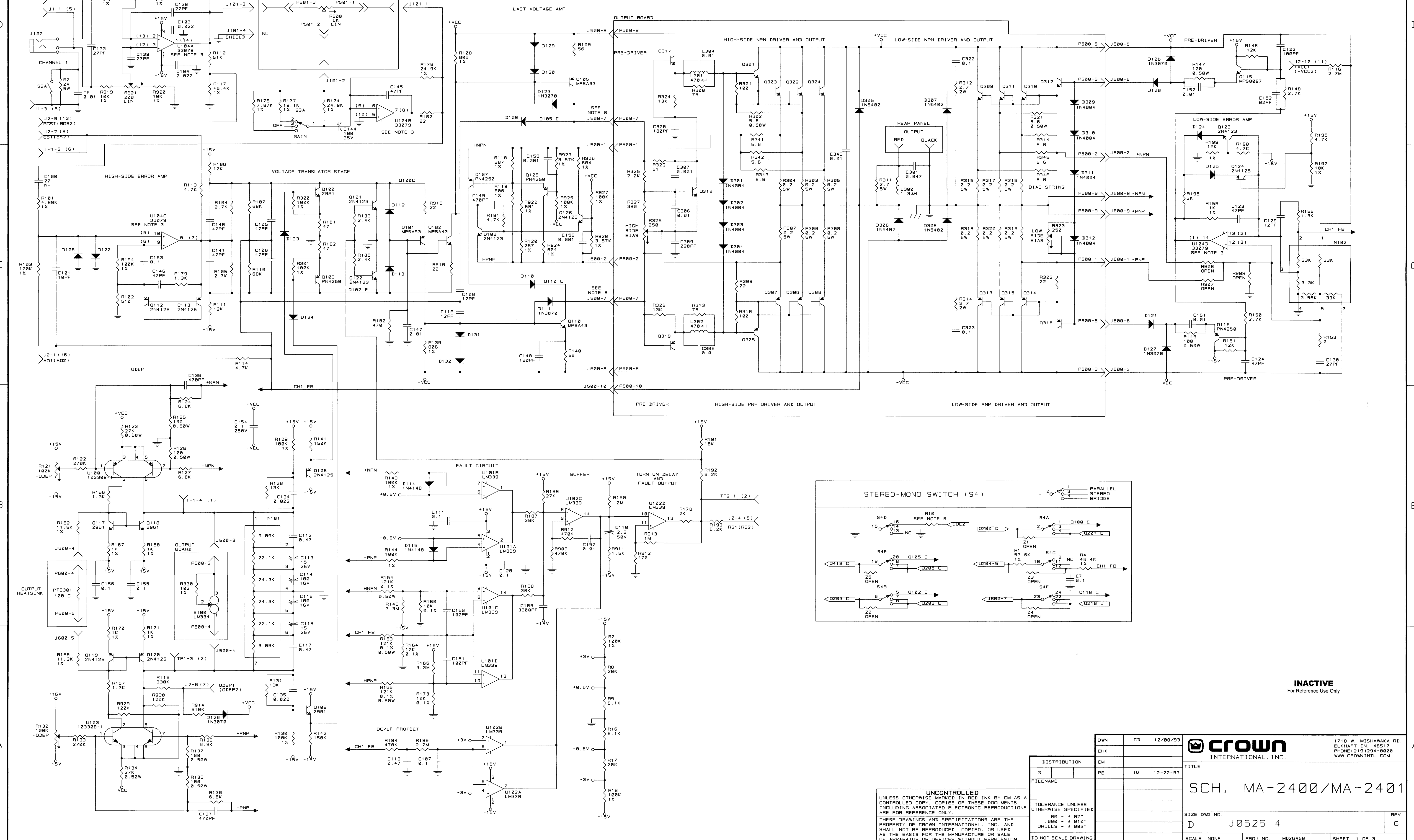
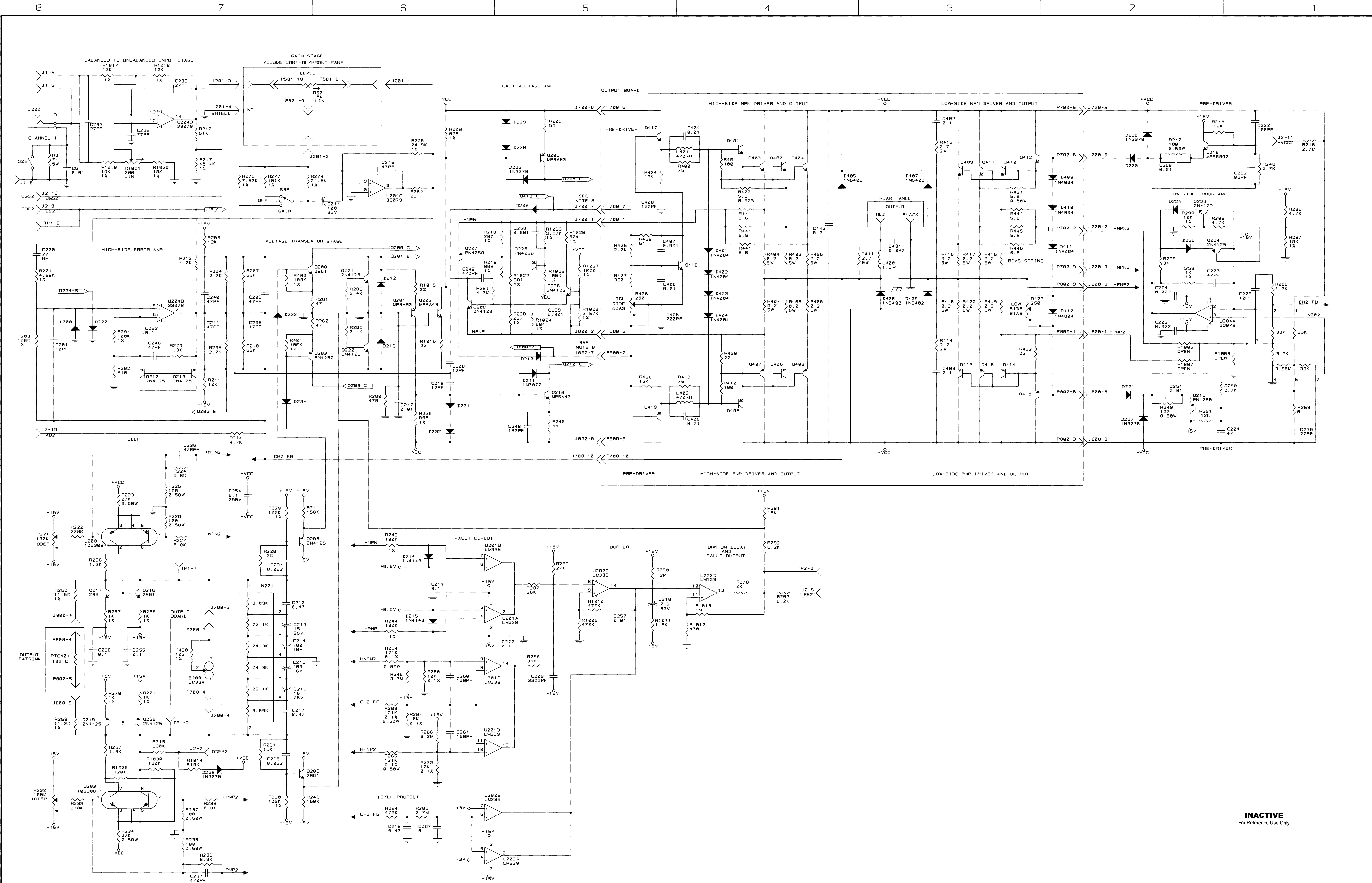


REVISION HISTORY					
E. C. N.	ZONE	REV	DESCRIPTION	DATE	APPROVED
		C	ON SHEET 2, C5 WAS 1000 NOW IS C1 AT 470 C109, C209, WERE 330PF R172, R272 WERE 22.1K ADD R341, 342, 343, 344, 345, 346, 441, 442, 443.	08/03/94	LCD CHK CM JM
EAT 04-174		D	444, 445, 446	11/07/94	LCD JM
EAT 95-244		E	R312, R314, R412, R414 WERE 1W NOW 2W	09/11/95	LCD JM
EAT 95-217		F	CHANGE DISPLAY CONN FROM DIP TO DUAL INLINE DELETE DISPLAY BOARD	10/09/95	LCD TS
00N0005		G	CHANGE D109, 126, 209, 226 TO C 7458-B. CHANGE U100, 200 TO 103309-1. CHANGE U103, 203 TO 103308-1.	02/04/00	JAW KZ LZ



DWN	LCD	12/08/93	 1718 W. MISHAWAKA RD. ELKHART IN. 45517 PHONE (219) 294-8000 WWW.CROWNINTL.COM
CHK			
CM	JM	12-22-93	
DISTRIBUTION			TITLE
G			SCH, MA-2400/MA-2401
FILENAME			SIZE DWG NO.
			D J0625-4
			REV
			G
UNCONTROLLED			SCALE NONE
UNLESS OTHERWISE MARKED IN RED INK BY CM AS A CONTROLLED COPY, COPIES OF THESE DOCUMENTS INCLUDING ASSOCIATED ELECTRONIC REPRODUCTIONS ARE FOR REFERENCE ONLY.			PRJ NO. MD26450
THESE DRAWINGS AND SPECIFICATIONS ARE THE PROPERTY OF CROWN INTERNATIONAL, INC. AND SHALL NOT BE REPRODUCED, COPIED, OR USED AS THE BASIS FOR THE MANUFACTURE OR SALE OF APPARATUS OR DEVICES WITHOUT PERMISSION.			SHEET 1 OF 3



INACTIVE
For Reference Use Only