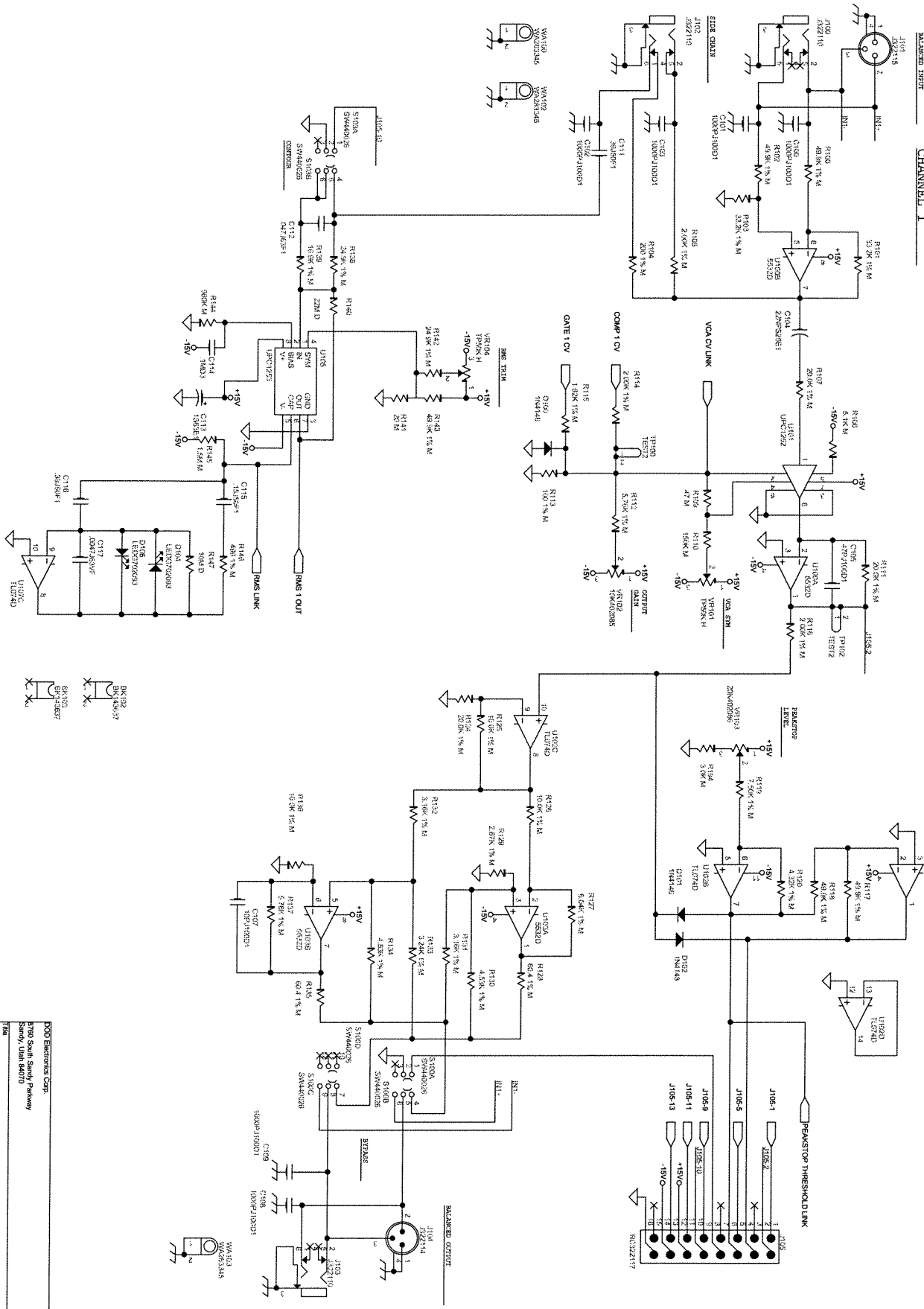


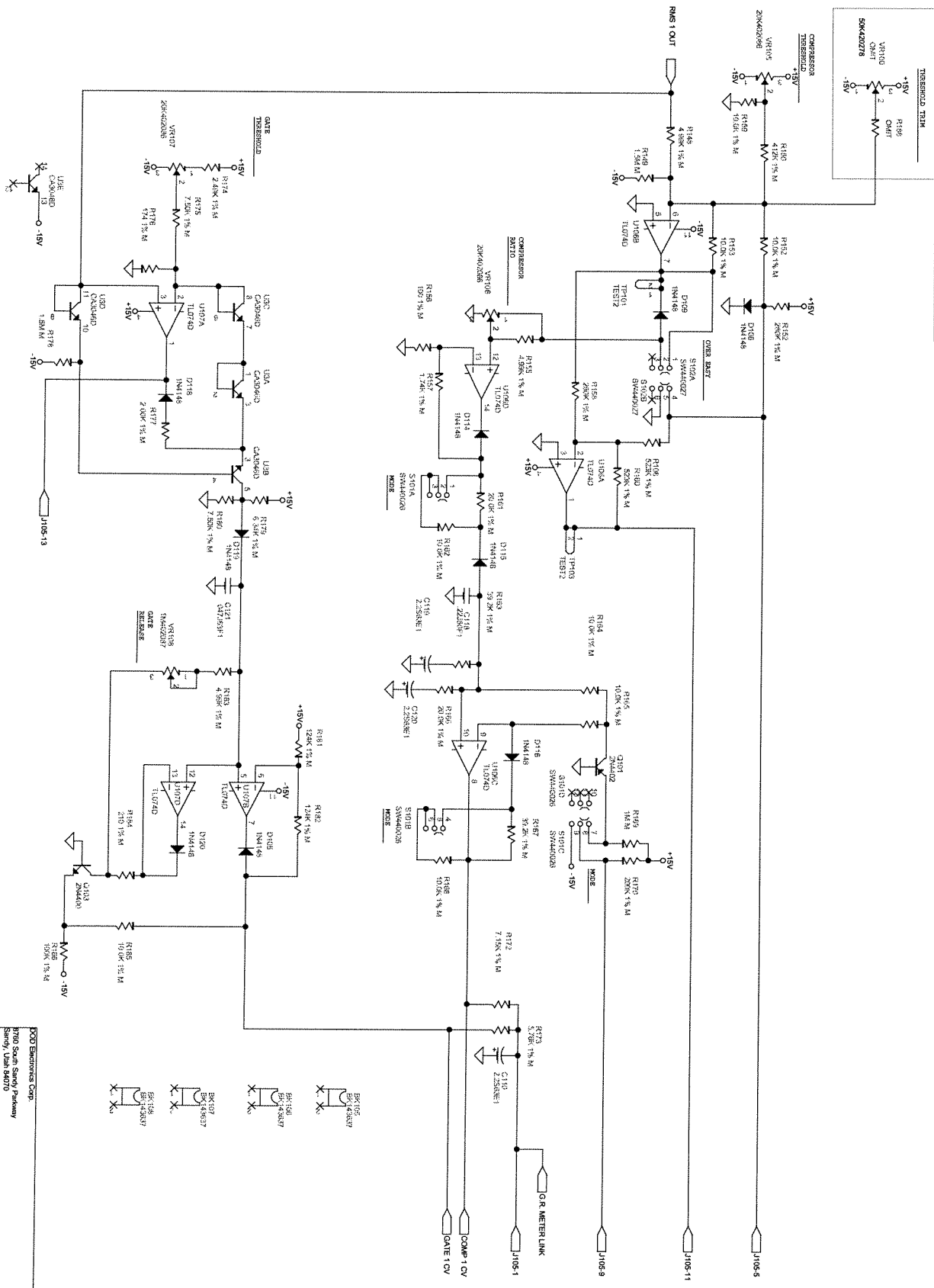
CHANNEL 1



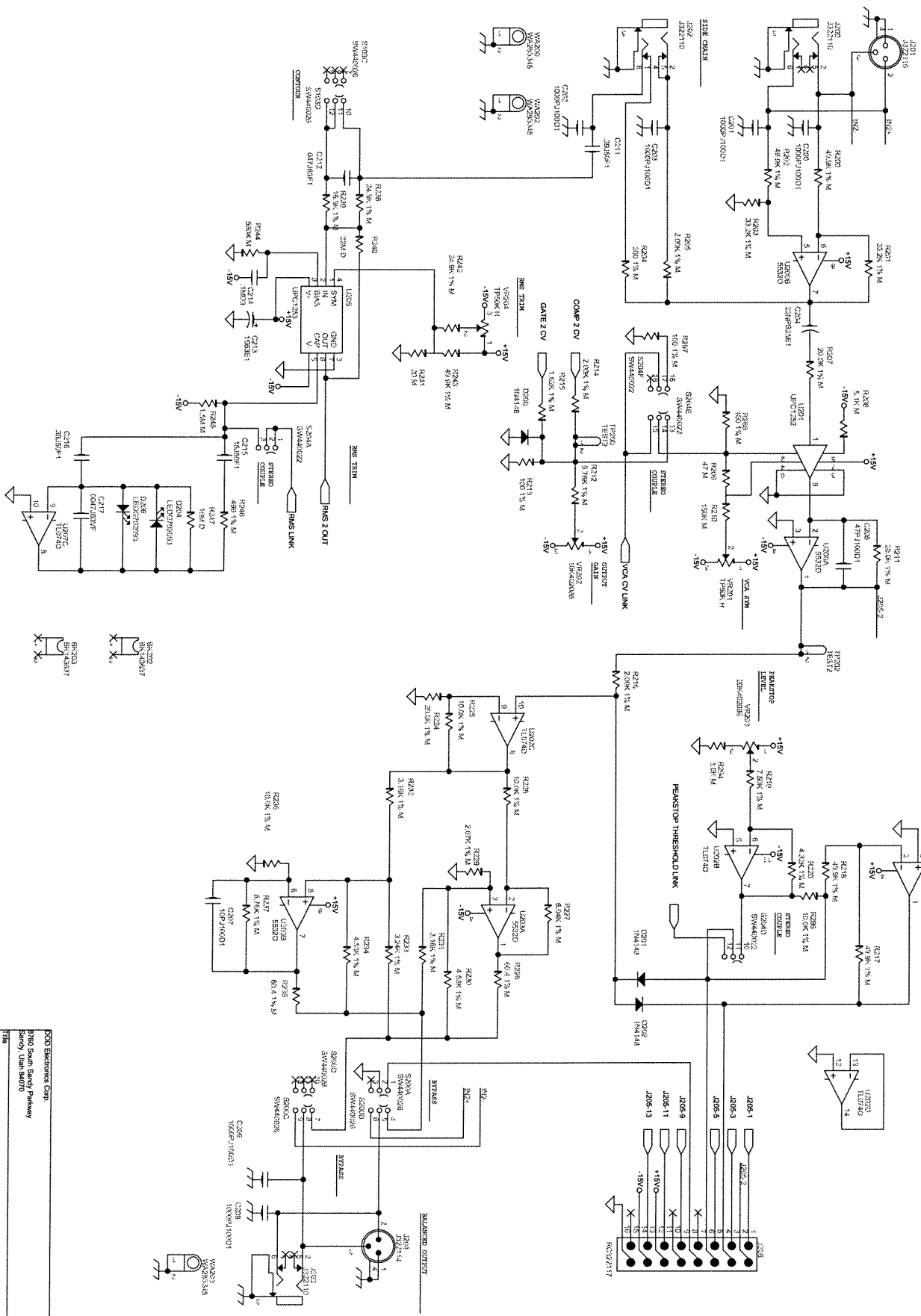
KOD Electronics Corp.
 8780 South Sandy Parkway
 Sandy, Utah 84070
 DBX 168A DUAL COMPRESSOR/EXPANDER 8046183
 Document Number
 065153A01.002
 Rev. A0
 Issue 27, October 13, 1995 Sheet 2 of 7

OPTIONAL

CHANNEL 1

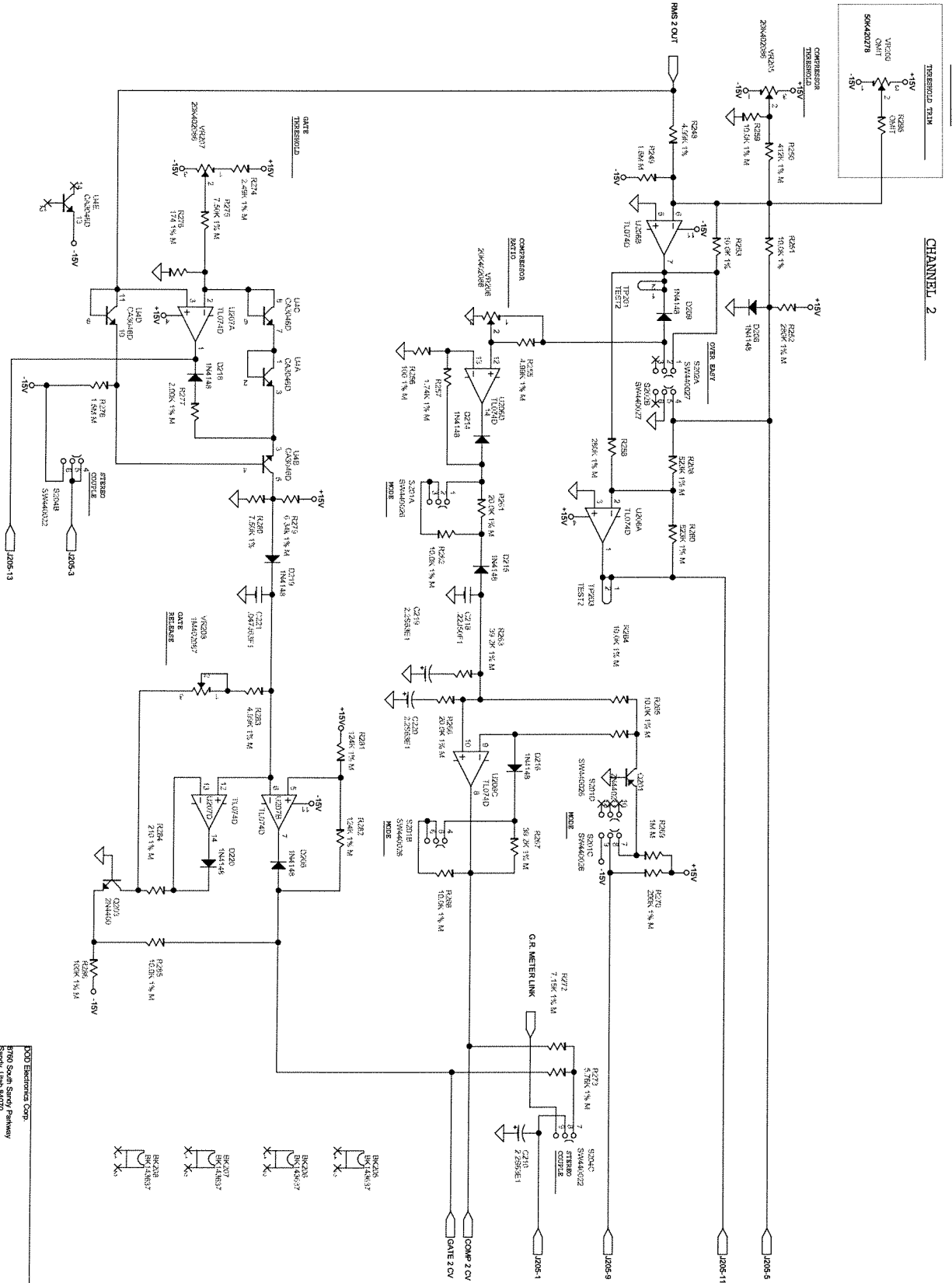


POD Electronics Corp			
3770 South Sandy Parkway			
Sandy, Utah 84070			
182	Docuement Number	DBK 168A DUAL COMPRESSOR/EXPANDER 40 6153	
001	Docuement Number	001500 100	
DATE:	Thursday, October 19, 1995	Sheet	3 of 7
REV	A0		



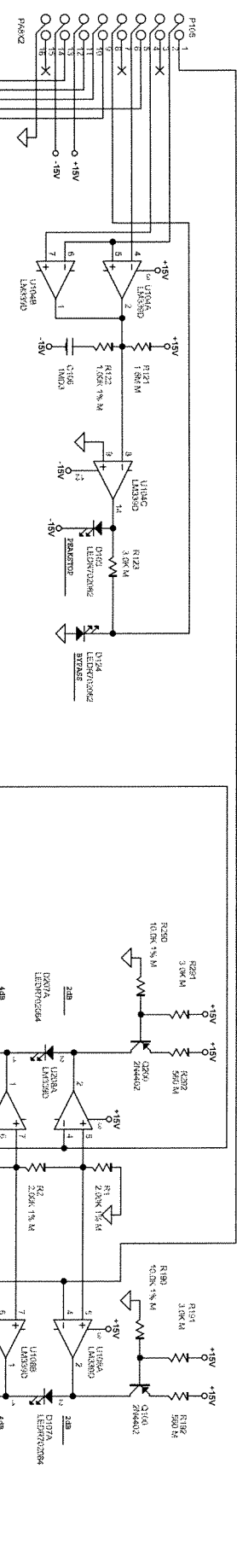
DOD Electronics Corp
 8780 South Sandy Parkway
 Sandy, Utah 84070
 DBX 160A DUAL COMPRESSOR/PANICER 80-6153
 Document Number
 068153A0 004
 Tuesday, October 13, 1993 Sheet 4 of 7 Rev. A0

CHANNEL 2

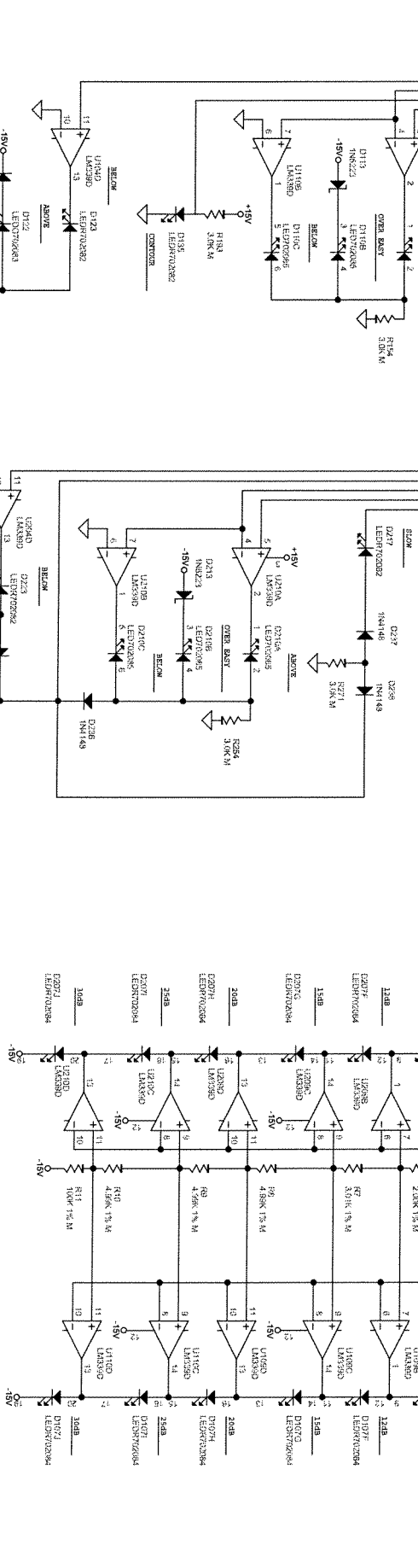
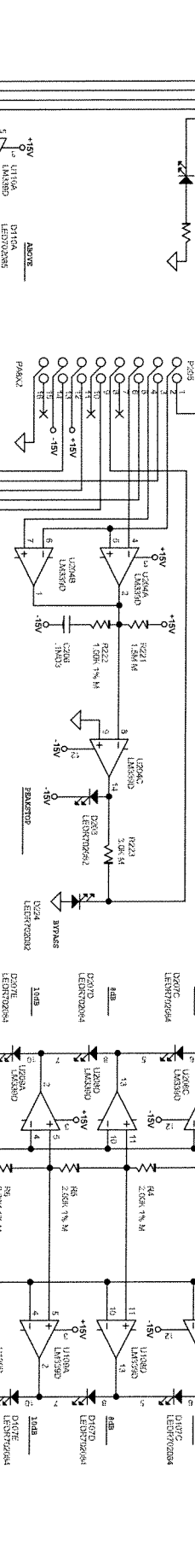


OOD Electronics Corp.	
7700 South Sandy Parkway	
Sandy, Utah 84070	
File	DBX 16GA DUAL COMPRESSOR/EXPANDER 80-6153
Size	B
DocuPart Number	058153A0.005
Rev	40
Date	Tuesday, October 13, 1999
Sheet	5 of 7

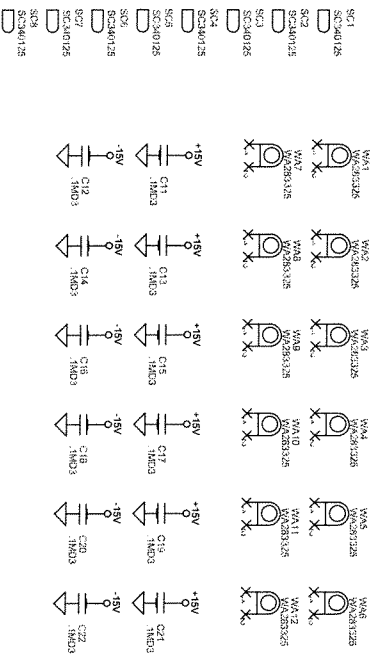
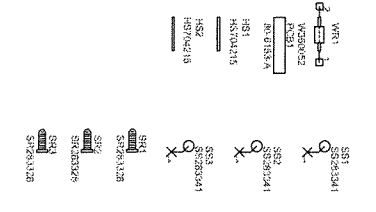
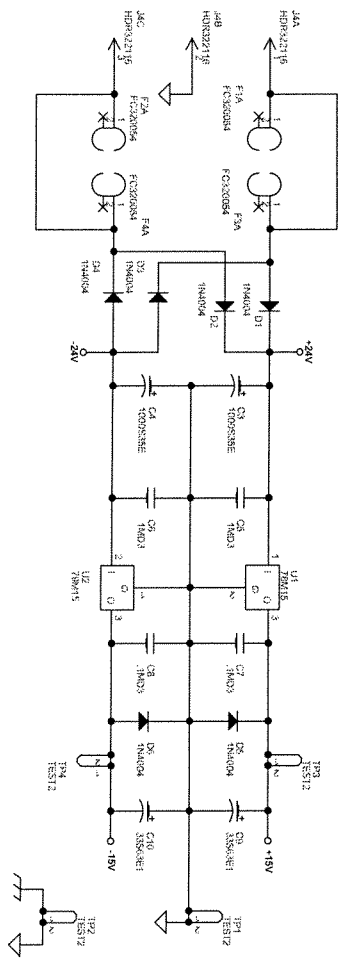
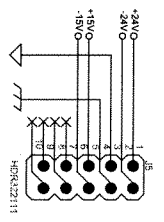
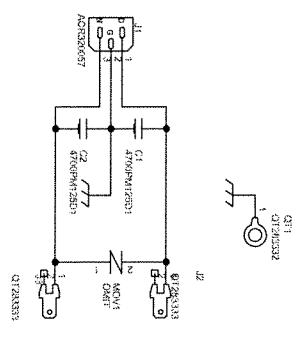
CHANNEL 1



CHANNEL 2



DOO Electronics Corp.	
8700 South Sandy Parkway	
Sandy, Utah 84070	
Part	DBX 166A DUAL COMPRESSOR/EXPANDER
Size	Document Number
B	05615340-006
Rev	40
Date	Tuesday, October 19, 1993
Sheet	6 of 7



FOD Electronics Corp.	
1760 South Sandy Parkway	
Sandy, Utah 84070	
Title	
DBX 168A DUAL COMPRESSOR/SPANNER	
Size	Page
B	40
Doc#	06616340.007
Date	Thursday, October 19, 1995
Sheet	7 of 7

Quan Reference	Part	SYM	Description
12	BK102, BK103, BK105, BK106, BK107, BK108, BK202, BK203, BK205, BK206, BK207, BK208	BK143637	14-3637-A PLTWT, BRKT, Switch MTG
2	C1, C2	4700PM125D	1000 uF Cap 35V -20/+80% Elect
2	C3, C4	1000S35E	.1 uF Cap 50V 20% Ceramic AXL
20	C5, C6, C7, C8, C11, C12, C13, C14, C15, C16, C17, C18, C19, C20, C21, C22, C106, C114, C206, C214	.1MD3	.1 uF Cap 50V 20% Ceramic AXL
2	C9, C10	33S63E1	33 uF Cap 63V Alum, Rad
12	C100, C101, C102, C103, C108, C109, C200, C201, C202, C203, C208, C209	1000PJ100D	1000 uF Cap 63V Alum, Rad
2	C104, C204	22NPS25E1	22 uF Cap 63V Alum Rad T&R
2	C105, C205	47PJ100D1	47 uF Cap 63V Alum Rad T&R
2	C107, C207	10PJ100D1	10 uF Cap 63V Alum Rad T&R
6	C110, C119, C120, C210, C219, C220	2.2S63E1	2.2 uF Cap 63V Alum Rad T&R
4	C111, C116, C211, C216	.39J50F1	.39 uF Cap 50V 5% M/Plyes Rad Stkd Film T&R
4	C112, C121, C212, C221	.047J63F1	.047 uF Cap 63V 5% M/Plyes Rad T&R
2	C113, C213	1S63E1	1 uF Cap 63V -20/+100% Alum Rad T&R
2	C115, C215	.15J50F1	.15 uF Cap 50V 5% M/Plyes Rad Stkd Film T&R
2	C117, C217	.0047J633VF	.0047 uF Cap 63V 3% M/Plyes Rad T&R
2	C118, C218	.22J50F1	.22 uF Cap 50V 5% M/Plyes Rad Film
6	D1, D2, D3, D4, D5, D6	1N4004	1N4004 Rect 1A 400V
30	D100, D101, D102, D105, D108, D109, D114, D115, D116, D118, D119, D120, D121, D200, D201, D202, D205, D208, D209, D214, D215, D216, D218, D219, D220, D221, D236, D237, D238, D239	1N4148	1N4148 Diode Silicon Switching, 75 Volts PIV
10	D103, D117, D123, D124, D135, D203, D217, D223, D224, D235	LED702082	Red Light Emitting Diode, T1 Encap, w/housing
4	D104, D106, D204, D206	LED702093	Green Light Emitting Diode, T1
2	D107, D207	LED702084	Red Light Emitting Diode, T1 Encap, 10 pos
2	D110, D210	LED702085	Red Light Emitting Diode, T1, LMx, 3 pos
2	D113, D213	1N5223	1N5223 Diode Zener Glass, 1/2W, 50V, 10%
2	D122, D222	LED702083	Green Light Emitting Diode, T1 Encap, w/housing
4	F1, F2, F3, F4	FC320054	Fuse Clip, PC Mount
2	H51, H52	HS704215	Heatsink, PCB Mount, Vert., for TO-220
1	J1	ACR320057	AC Power Receptical, IEC, Non Filtered
2	J2, J3	QT283333	Quick-tab, Terminal, PC Mount, 2 pin
1	J4	HDR322116	3 Pin Hdr, Straight, .23", 0.1" spacing
1	J5	HDR322111	10 Pin Hdr, 5X2, Straight, .23", 0.1" spacing
6	J100, J102, J103, J200, J202, J203	J322110	Jack, 1/4" Phone, PC Mount, Hor., Cliff S2
2	J101, J201	J322115	XLR, Female PC Mount, Ins, R/A
2	J104, J204	J322114	XLR, Male PC Mount, Ins, R/A
2	J105, J205	RC322117	16 Pin Ribbon Cable, Flat, w/2 ends, 5.00", 0.1" spacing
5	MOV1, VR100, R188, VR200, R295	OMIT	This part has been omitted
2	P105, P205	PA8X2	8X2 Pin Pad Pattern, Not a part
DOD Software DBX 166A DUAL COMPRESSOR/EXPANDER 056153A0.001 Bill Of Materials May 9, 2000 Revised: October 1, 1994 Revision: A0 11:13:11 Page			

1	PCB1	80-6153-A	80-6153-A	dbx 166 MAIN/DISPLAY PCB, RAW
4	Q100, Q101, Q200, Q201	2M4402	70-1035	2M4402 PNP, TR SIGNAL
2	Q103, Q203	2M4400	70-1041	2M4400 NPN, TR SIGNAL
1	Q11	Q7283332	28-3332	Quick-tab, Terminal, Crimp, Ring, Ins, 6R
14	R1, R2, R3, R4, R5, R6, R105, R114, R116, R177, R205, R214, R216, R277	2.00K 1% M	52-1624	2.00 Kohm Resistor 1% 1/8 Watt Carbon Film Mini
1	R7	3.01K 1% M	52-1625	3.01 Kohm Resistor 1% 1/8 Watt Carbon Film Mini
9	R8, R9, R10, R148, R155, R183, R248, R255, R283	4.99K 1% M	52-1616	4.99 Kohm Resistor 1% 1/8 Watt Carbon Film Mini
3	R11, R186, R286	100K 1% M	52-1635	100 Kohm Resistor 1% 1/8 Watt Carbon Film Mini
10	R100, R102, R117, R118, R143, R200, R202, R217, R218, R243	49.9K 1% M	52-1620	49.9 Kohm Resistor 1% 1/8 Watt Carbon Film Mini
4	R101, R103, R201, R203	33.2K 1% M	52-1650	33.2 Kohm Resistor 1% 1/8 Watt Carbon Film Mini
2	R104, R204	200 1% M	52-1618	200 Ohm Resistor 1% 1/8 Watt Carbon Film Mini
2	R106, R206	5.1K M	50-0409	5.1 Kohm Resistor 5% 1/8 Watt Carbon Film Mini
10	R107, R111, R124, R161, R166, R207, R211, R224, R261, R266	20.0K 1% M	52-1630	20.0 Kohm Resistor 1% 1/8 Watt Carbon Film Mini
4	R108, R160, R208, R260	523K 1% M	52-1610	523 Kohm Resistor 1% 1/8 Watt Carbon Film Mini
2	R109, R209	47 M	50-0406	47 Ohm Resistor 5% 1/8 Watt Carbon Film Mini
2	R110, R210	150K M	50-0402	150 Kohm Resistor 5% 1/8 Watt Carbon Film Mini
6	R112, R137, R173, R212, R237, R273	5.76K 1% M	52-1617	5.76 Kohm Resistor 1% 1/8 Watt Carbon Film Mini
6	R113, R156, R213, R256, R288, R297	100 1% M	52-1639	100 Ohm Resistor 1% 1/8 Watt Carbon Film Mini
2	R115, R215	1.62K 1% M	52-1642	1.62 Kohm Resistor 1% 1/8 Watt Carbon Film Mini
6	R119, R175, R180, R219, R275, R280	7.50K 1% M	52-1649	7.50 Kohm Resistor 1% 1/8 Watt Carbon Film Mini
2	R120, R220	4.32K 1% M	52-1646	4.32 Kohm Resistor 1% 1/8 Watt Carbon Film Mini
8	R121, R145, R149, R178, R221, R245, R249, R278	1.5M M	50-0404	1.5 Mohm Resistor 5% 1/8 Watt Carbon Film Mini
2	R122, R222	1.00K 1% M	52-1623	1.00 Kohm Resistor 1% 1/8 Watt Carbon Film Mini
14	R123, R154, R171, R187, R191, R193, R194, R223, R254, R271, R287, R291, R293, R294	3.0K M	50-0405	3.0 Kohm Resistor 5% 1/8 Watt Carbon Film Mini
25	R125, R126, R136, R151, R153, R159, R162, R164, R165, R168, R185, R190, R225, R226, R236, R251, R253, R259, R262, R264, R265, R268, R285, R290, R296	10.0K 1% M	52-1627	10.0 Kohm Resistor 1% 1/8 Watt Carbon Film Mini
2	R127, R227	6.04K 1% M	52-1647	6.04 Kohm Resistor 1% 1/8 Watt Carbon Film Mini
4	R128, R135, R228, R235	60.4 1% M	52-1638	60.4 Ohm Resistor 1% 1/8 Watt Carbon Film Mini
2	R129, R229	2.67K 1% M	52-1645	2.67 Kohm Resistor 1% 1/8 Watt Carbon Film Mini
4	R130, R134, R230, R234	4.53K 1% M	52-1604	4.53 Kohm Resistor 1% 1/8 Watt Carbon Film Mini
4	R131, R132, R231, R232	3.16K 1% M	52-1601	3.16 Kohm Resistor 1% 1/8 Watt Carbon Film Mini
2	R133, R233	3.24K 1% M	52-1603	3.24 Kohm Resistor 1% 1/8 Watt Carbon Film Mini
4	R138, R142, R238, R242	24.9K 1% M	52-1631	24.9 Kohm Resistor 1% 1/8 Watt Carbon Film Mini
2	R139, R239	16.9K 1% M	52-1619	16.9 Kohm Resistor 1% 1/8 Watt Carbon Film Mini
2	R140, R240	22M D	50-2442	22 Mohm Resistor 5% 1/4 Watt Carbon Film Mini
2	R141, R241	20 M	50-0400	20 Ohm Resistor 5% 1/8 Watt Carbon Film Mini
2	R144, R244	560K M	50-0485	560 Kohm Resistor 5% 1/8 Watt Carbon Film Mini
2	R146, R246	499 1% M	52-1641	499 Ohm Resistor 1% 1/8 Watt Carbon Film Mini

DBX 166A DUAL COMPRESSOR/EXPANDER
 056153A0.001
 Bill Of Materials
 Quan Reference Part May 9, 2000 SYMAN Description

2 R147, R247 10M D 50-0417 10 MOhm Resistor 5% 1/8 Watt Carbon Film Mini
 2 R150, R250 412K 1% M 52-1636 412 Kohm Resistor 1% 1/8 Watt Carbon Film Mini

4	R152, R158, R252, R258	280K 1% M	52-1652	280 Kohm Resistor 1% 1/8	Watt Carbon Film Mini
2	R157, R257	1.74K 1% M	52-1643	1.74 Kohm Resistor 1% 1/8	Watt Carbon Film Mini
4	R163, R167, R263, R267	39.2K 1% M	52-1634	39.2 Kohm Resistor 1% 1/8	Watt Carbon Film Mini
2	R169, R269	1M M	50-0403	1 Mohm Resistor 5% 1/8	Watt Carbon Film Mini
2	R170, R270	200K 1% M	52-1651	200 Kohm Resistor 1% 1/8	Watt Carbon Film Mini
2	R172, R272	7.15K 1% M	52-1626	7.15 Kohm Resistor 1% 1/8	Watt Carbon Film Mini
2	R174, R274	2.49K 1% M	52-1644	2.49 Kohm Resistor 1% 1/8	Watt Carbon Film Mini
2	R176, R276	174 1% M	52-1640	174 Ohm Resistor 1% 1/8	Watt Carbon Film Mini
2	R179, R279	6.34K 1% M	52-1648	6.34 Kohm Resistor 1% 1/8	Watt Carbon Film Mini
4	R181, R182, R281, R282	124K 1% M	52-1621	124 Kohm Resistor 1% 1/8	Watt Carbon Film Mini
2	R184, R284	210 1% M	52-1622	210 Ohm Resistor 1% 1/8	Watt Carbon Film Mini
2	R192, R292	560 M	50-0401	560 Ohm Resistor 5% 1/8	Watt Carbon Film Mini
5	S100, S101, S103, S200, S201	SW440026	44-0026	4PDT I/O Switch (small), PC Mount	
2	S102, S202	SW440027	44-0027	DPDT I/O Switch (mini), PC Mount	
1	S204	SW440022	44-0022	6PDT I/O Switch (mini), PC Mount	
8	SC1, SC2, SC3, SC4, SC5, SC6, SC7, SC8	SC340125	34-0125	Switch Cap, Black	
3	SR1, SR2, SR3	SR283328	28-3328	Screw, MS, PHL, IN SE ST, Z2, 4-40X1/4	
12	SR5, SR6, SR7, SR8, SR9, SR10, SR11, SR12, SR13, SR14, SR15, SR16	SR283342	28-3342	Nut, HEX, CNT, STL, Z2, 7x.75mm	
3	SS1, SS2, SS3	SS283341	28-3341	Swage Standoff, Hex, x 1.200" H 4-40, DBX	
12	TP1, TP2, TP3, TP4, TP100, TP101, TP102, TP103, TP200, TP201, TP202, TP203	TEST2	36-0095	2 Pin Test Point For DBX	
1	U1	78M15	70-4130	7815 +15 Volt Voltage Regulator	
1	U2	79M15	70-4131	7915 -15 Volt Voltage Regulator	
2	U3, U4	CA3046D	72-4321	CA3046 Matched Transister Pairs BPO	
4	U100, U103, U200, U203	5532D	72-4316	5532 Low Noise Dual Op-Amp	
2	U101, U201	UPC1252	72-4262	UPC1252HA2, VCA THAT (OBS)	
6	U102, U106, U107, U202, U206, U207	TL074D	72-4320	TL074 Quad JFet-Input Op-Amp	
8	U104, U108, U109, U110, U204, U208, U209, U210	LM339D	72-4306	LM339 Quad Comparator	
2	U105, U205	UPC1253	72-4261	UPC1253HA2 RMS	
4	VR101, VR104, VR201, VR204	TP50K H	42-0222	50 K Trim Pot, Vertical Mount, 3/4 turn	
2	VR102, VR202	10K402085	40-2085	10 K "B" 16mm, Rot Pot, 25mm D Shaft	
8	VR103, VR105, VR106, VR107, VR203, VR205, VR206, VR207	20K402086	40-2086	20 K "B" 16mm, Rot Pot, 25mm D Shaft horiz mt.	
2	VR108, VR208	1M402087	40-2087	1 M "2" Rot Pot, 25MM D Shaft	
12	WA1, WA2, WA3, WA4, WA5, WA6, WA7, WA8, WA9, WA10, WA11, WA12	WA283325	28-3325	Washer, Flat, STL, Z2, M7	
6	WA100, WA102, WA103, WA200, WA202, WA203	WA283345	28-3345	Washer, Ground	
1	WRL	W360052	36-0052	Wire, 2 End, 4.00", Grn/Yel UN1015-18	