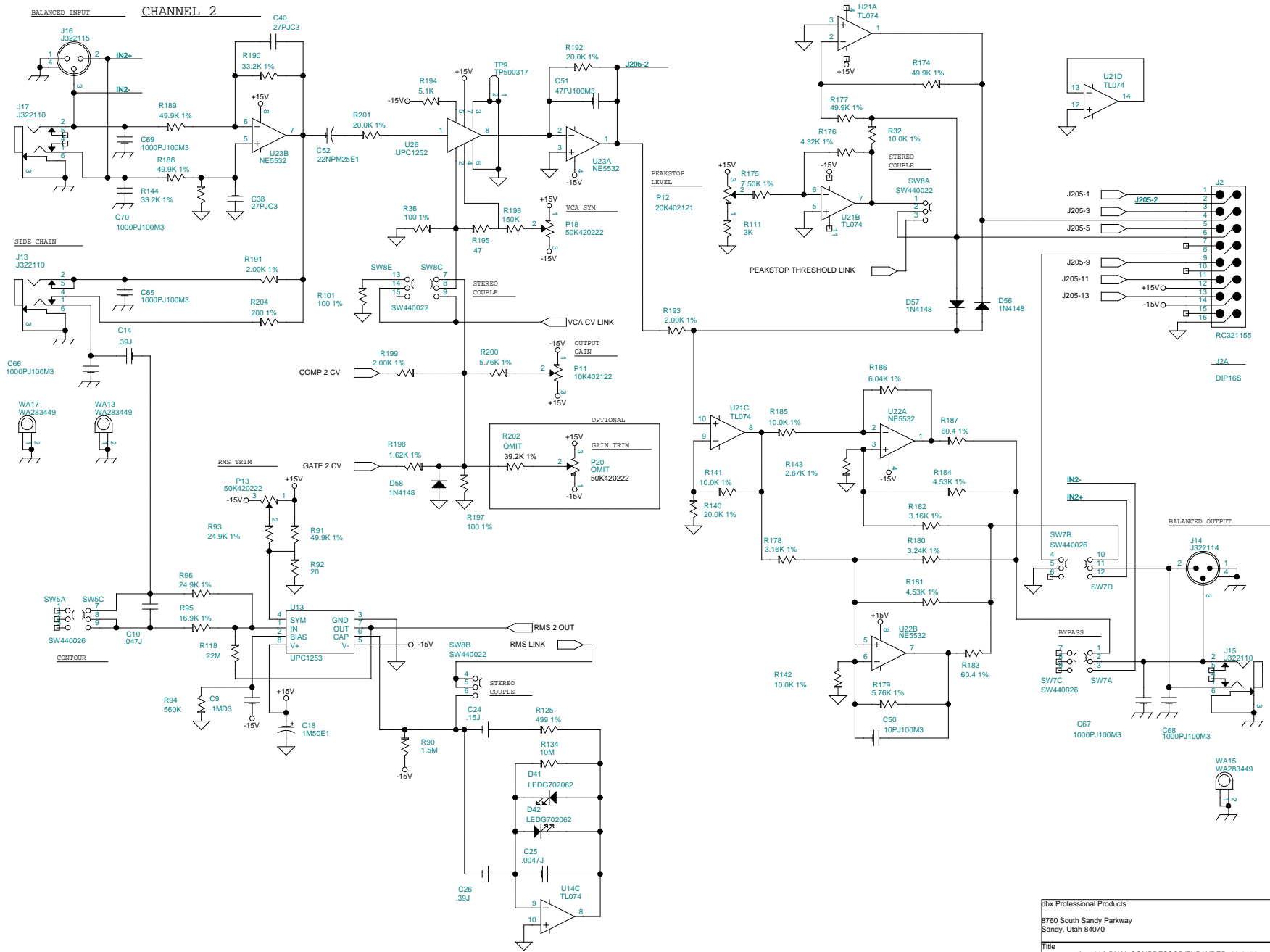
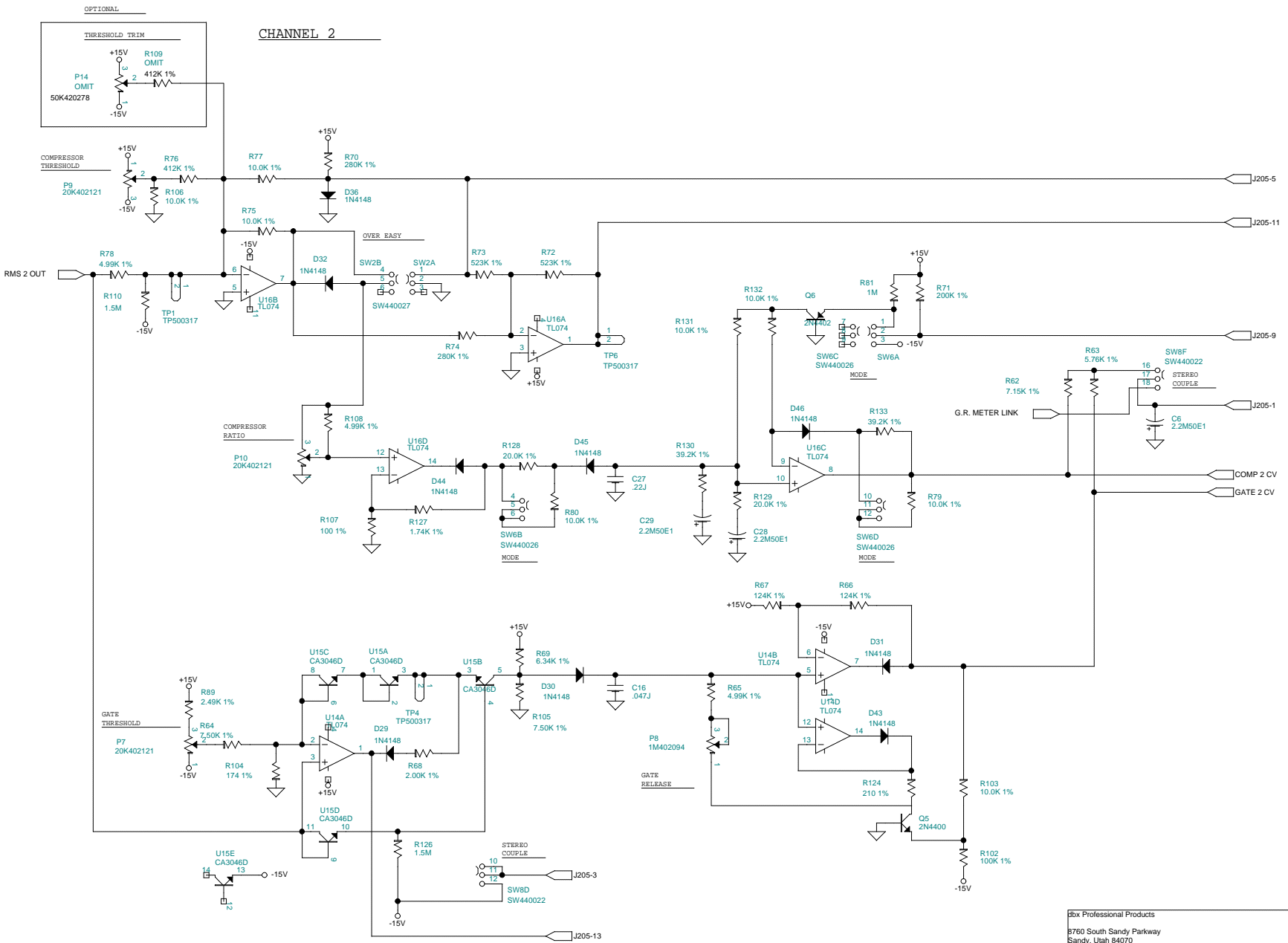


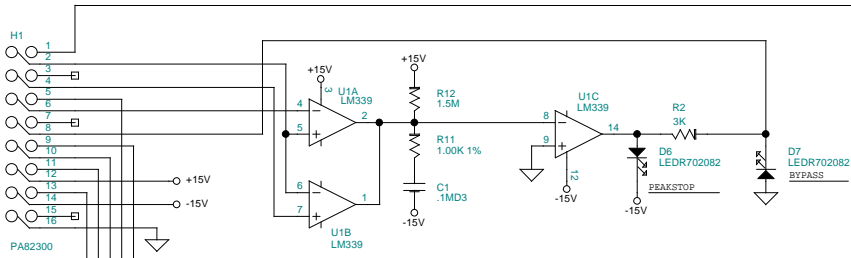
dbx Professional Products	
8760 South Sandy Parkway Sandy, Utah 84070	
Title dbx 166A DUAL COMPRESSOR/EXPANDER 80-6207	
Size B	Document Number 056207B6.002
Date: Thursday, October 21, 1999	Rev B6
Sheet 2 of 6	



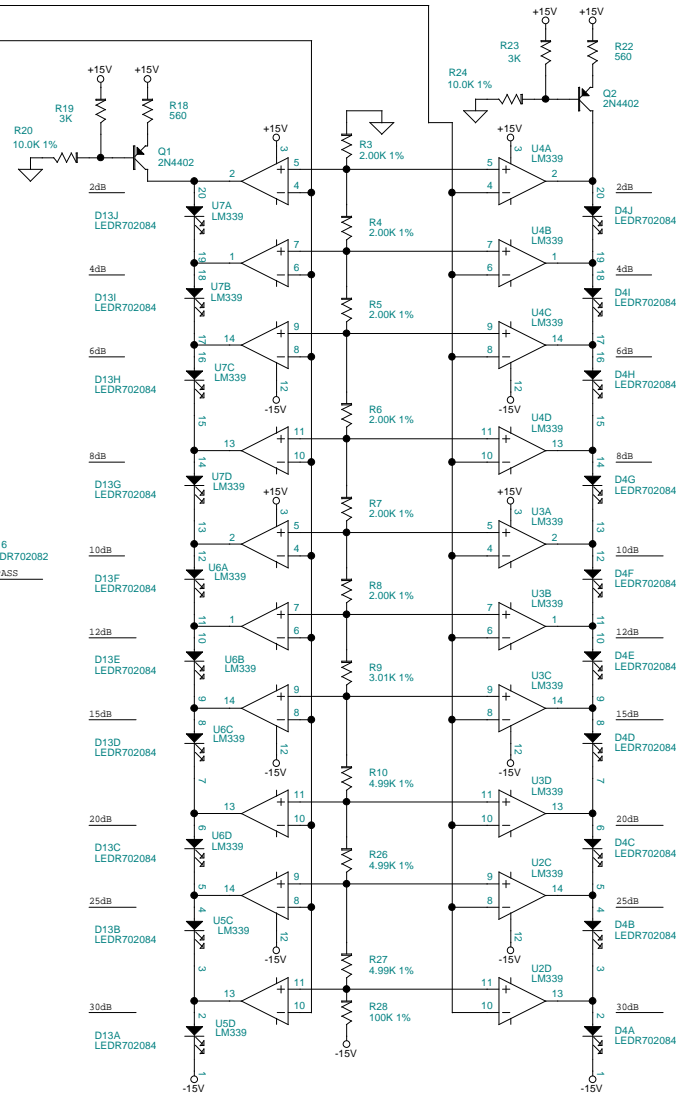
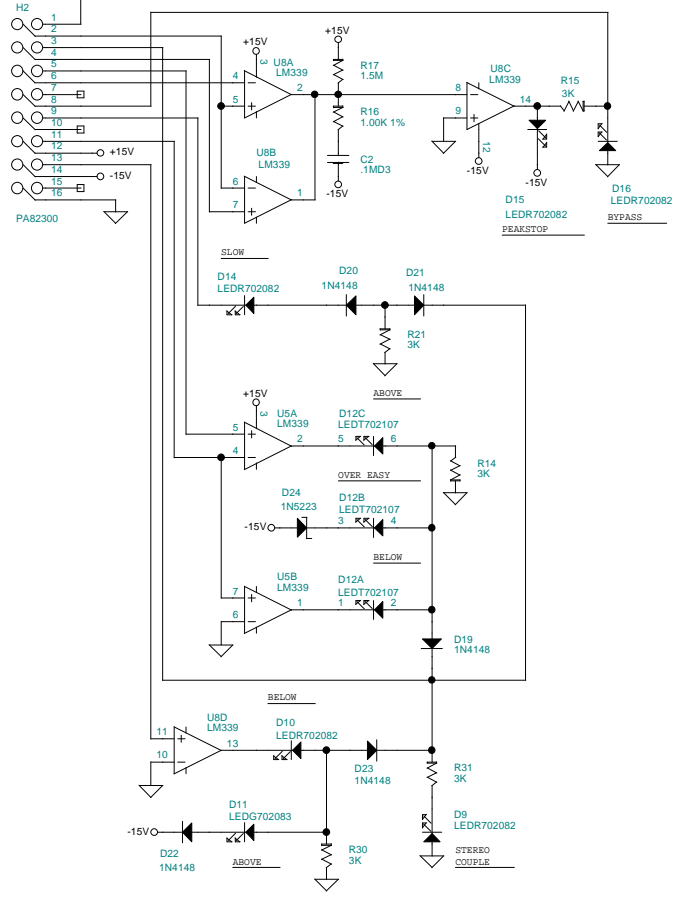
dbx Professional Products	
8760 South Sandy Parkway Sandy, Utah 84070	
Title dbx 166A DUAL COMPRESSOR/EXPANDER 80-6153	
Size B	Document Number 056207B6.003
Date: Thursday, October 21, 1999	Rev B6
Sheet 3 of 6	



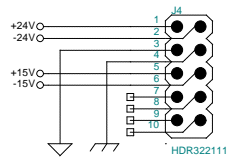
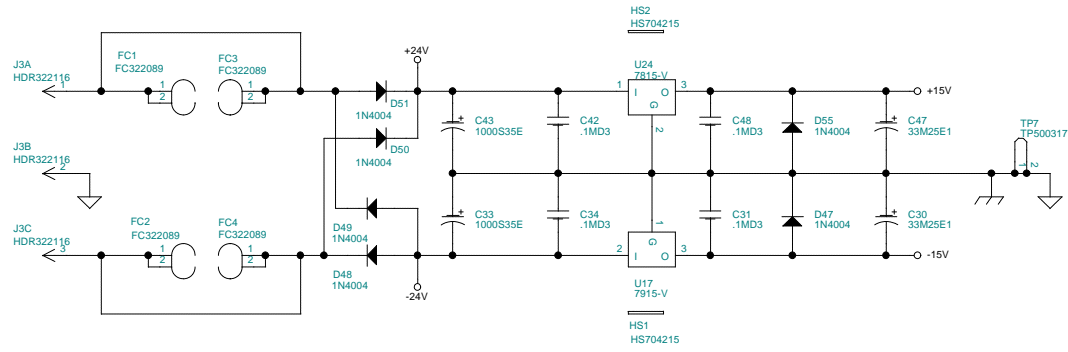
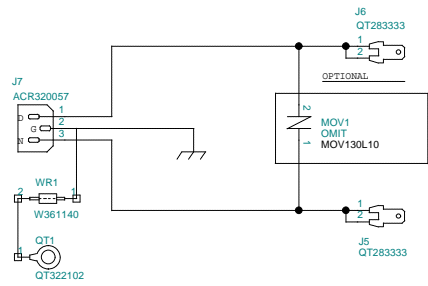
CHANNEL 1



CHANNEL 2



dbx Professional Products	
8760 South Sandy Parkway Sandy, Utah 84070	
Title dbx 166A DUAL COMPRESSOR/EXPANDER 80-6207	
Size B	Document Number 056207B6.005
Date: Thursday, October 21, 1999	Sheet 5 of 6
	Rev B6



PCB1
80-6207-B

- | | | | | | | | |
|-----------------|-----------------|----------------------|----------------------|----------------------|---------------------|----------------------|----------------------|
| SC5
SC340125 | SC3
SC340125 | +15V
C36
.1MD3 | +15V
C12
.1MD3 | +15V
C39
.1MD3 | +15V
C8
.1MD3 | +15V
C54
.1MD3 | +15V
C55
.1MD3 |
| SC8
SC340125 | SC2
SC340125 | -15V
C37
.1MD3 | -15V
C13
.1MD3 | -15V
C41
.1MD3 | -15V
C7
.1MD3 | -15V
C53
.1MD3 | -15V
C56
.1MD3 |
| SC7
SC340125 | SC6
SC340125 | | | | | | |
| SC4
SC340125 | SC1
SC340125 | | | | | | |

dbx Professional Products		
8760 South Sandy Parkway Sandy, Utah 84070		
Title dbx 166A DUAL COMPRESSOR/EXPANDER 80-6207		
Size B	Document Number 056207B6.006	Rev B6
Date: Thursday, October 21, 1999	Sheet 6	of 6

Quan	Reference	Part	SYMAN	Description
20	C1,C2,C3,C7,C8,C9,C12,C13,C31,C34,C36,C37,C39,C41,C42,C48,C53,C54,C55,C56	.1MD3	62-0060	.1 uF Cap 50V 20% Ceramic AXL
4	C4,C14,C20,C26	.39J	56-0040	.39 uF Cap 50V 5% Stacked Metal Pet 394J ammo
4	C5,C10,C11,C16	.047J	56-0010	.047 uF Cap 50V 5% Stacked Metal Pet 473J ammo
6	C6,C22,C23,C28,C29,C32	2.2M50E1	60-0400	2.2 uF Cap 50V -20/+20% Elect. Rad, T&R
2	C15,C18	1M50E1	60-0044-01	1.0 uF Cap 50V -20/+20% Elect., T&R C&F
2	C17,C25	.0047J	56-0004	.0047 uF Cap 50V 5% Poly Film 472J ammo
2	C19,C24	.15J	56-0013	.15 uF Cap 50V 5% Stacked Metal Pet 154J ammo
2	C21,C27	.22J	56-0014	.22 uF Cap 50V 5% Stacked Metal Pet 224J ammo
2	C30,C47	33M25E1	60-0401	33 uF Cap 25V -20/+20% Elect. Rad, T&R
2	C33,C43	1000S35E	60-0063	1000 uF Cap 35V -20/+80% Elect
4	C35,C38,C40,C45	27PJC3	62-0066	27 pF Cap 50V 20% Axial Monolithic
2	C44,C50	10PJ100M3	62-0063	10 pF Cap 100V 5% Ceramic AXL NPO
2	C46,C51	47PJ100M3	62-0064	47 pF Cap 100V 5% Ceramic AXL NPO
2	C49,C52	22NPM25E1	60-0402	22 uF Cap 25V -20/+20% Elect. NP, T&R
12	C57,C58,C61,C62,C63,C64,C65,C66,C67,C68,C69,C70	1000PJ100M	62-0061	1000 pF Cap 100V 5% Ceramic AXL NPO
10	D1,D5,D6,D7,D8,D9,D10,D14,D15,D16	LEDR702082	70-2082	Red Light Emitting Diode, T1 Encap, w/housing
2	D2,D11	LEDG702083	70-2083	Green Light Emitting Diode, T1 Encap, w/housing
2	D3,D12	LEDT702107	70-2107	G/Y/R Light Emitting Diode, T1 LMX, 3 pos
2	D4,D13	LEDR702084	70-2084	Red Light Emitting Diode, T1 Encap, 10 pos
2	D17,D24	1N5223	70-0041	1N5223 Diode Zener Glass, 1/2W, 50V, 10%
30	D18,D19,D20,D21,D22,D23,D25,D26,D27,D28,D29,D30,D31,D32,D33,D36,D37,D38,D39,D40,D43,D44,D45,D46,D52,D53,D54,D56,D57,D58	1N4148	70-0002	1N4148 Diode Silicon Switching, 75 Volts PIV
4	D34,D35,D41,D42	LEDG702062	70-2062	LED Green, T1 Case
6	D47,D48,D49,D50,D51,D55	1N4004	70-0009	1N4004 Rect 1A 400V
4	FC1,FC2,FC3,FC4	FC322089	32-2089	Fuse Clip, 5 x 20mm
2	H1,H2	PA82300	00-0000	8X2 Pin Pad Pattern, Not a part, .300 Spacing
2	HS1,HS2	HS704215	70-4215	Heatsink, PCB Mount, Vert, for TO-220
2	J1,J2	RC321155	32-1155	16 Pin Cable, Flat, w/2 ends, 3.00", 0.1" spacing
2	J1A,J2A	DIP16S	70-3022	16 Pin Dip Socket
1	J3	HDR322116	32-2116	3 Pin Hdr, Straight, .23", 0.1" spacing
1	J4	HDR322111	32-2111	10 Pin Hdr, 5X2, Straight, .23", 0.1" spacing
2	J5,J6	QT283333	28-3333	Quick-tab, Terminal, PC Mount, 2 Pin
1	J7	ACR320057	32-0057	AC Power Receptical, IEC, Non filtered
6	J8,J10,J12,J13,J15,J17	J322110	32-2110	Jack, 1/4" Phone, PC Mount, Hor., Cliff S2
2	J9,J14	J322114	32-2114	XLR, Male PC Mount, Ins, R/A
2	J11,J16	J322115	32-2115	XLR, Female PC Mount, Ins, R/A
9	MOV1,P14,P16,P19,P20,R88,R109,R173,R202	OMIT	00-0000	This part has been omitted
8	P1,P3,P4,P6,P7,P9,P10,P12	20K402121	40-2121	20 K 16mm, Rot Pot, 15mm Knurled shaft
2	P2,P8	1M402094	40-2094	1 M "D" 16mm, Rot Pot, 15mm D Shaft
2	P5,P11	10K402122	40-2122	10 K "B" 16mm, Rot Pot, 15mm Knurled shaft

056207b6

4 P13,P15,P17,P18 50K420222 42-0222 50 K Trim Pot, Vertical Mount, 3/4 turn
 1 PCB1 80-6207-B 80-6207-B dbx 166AD MAIN PCB RAW

DOD Software

dbx 166A DUAL COMPRESSOR/EXPANDER 80-6207 Revised: April 29, 1996

056207B6.000

Revision: B6

Bill Of Materials

April 29, 1996 12:54:27

Quan Reference

Part

SYMAN

Description

Page

Quan	Reference	Part	SYMAN	Description
4	Q1,Q2,Q4,Q6	2N4402	70-1035	2N4402 PNP, TR SIGNAL
2	Q3,Q5	2N4400	70-1041	2N4400 NPN, TR SIGNAL
1	QT1	QT322102	32-2102	Lug. #6 Star Ring For 18-22 AWG, Double Crimp
14	R1,R2,R13,R14,R15,R19, R21,R23,R25,R29,R30,R31, R87,R111	3K	50-0211	3 KOhm Resistor 5% 1/4 Watt Carbon Film
14	R3,R4,R5,R6,R7,R8,R50, R68,R162,R164,R167,R191, R193,R199	2.00K 1%	52-0186	2.00 KOhm Resistor 1% 1/4 Watt Metal Film
1	R9	3.01K 1%	52-0125	3.01 KOhm Resistor 1% 1/4 Watt Metal Film
9	R10,R26,R27,R47,R60,R65, R78,R85,R108	4.99K 1%	52-0165	4.99 KOhm Resistor 1% 1/4 Watt Metal Film
2	R11,R16	1.00K 1%	52-0133	1.00 KOhm Resistor 1% 1/4 Watt Metal Film
8	R12,R17,R37,R86,R90,R110, R122,R126	1.5M	50-0053	1.5 MOhm Resistor 5% 1/4 Watt Carbon Film
2	R18,R22	560	50-0193	560 Ohm Resistor 5% 1/4 Watt Carbon Film
25	R20,R24,R32,R33,R34,R57, R59,R75,R77,R79,R80,R83, R99,R103,R106,R115,R116, R131,R132,R136,R137,R141, R142,R156,R185	10.0K 1%	52-0107	10.0 KOhm Resistor 1% 1/4 Watt Metal Film
3	R28,R98,R102	100K 1%	52-0305	100 KOhm Resistor 1% 1/4 Watt Metal Film
2	R35,R81	1M	50-0045	1 MOhm Resistor 5% 1/4 Watt Carbon Film
6	R36,R84,R101,R107,R170, R197	100 1%	52-0400	100 Ohm Resistor 1% 1/4 Watt Metal Film
10	R38,R91,R145,R148,R159, R160,R174,R177,R188,R189	49.9K 1%	52-0020	49.9 KOhm Resistor 1% 1/4 Watt Metal Film
2	R39,R92	20	50-0157	20 Ohm Resistor 5% 1/4 Watt Carbon Film
4	R40,R43,R93,R96	24.9K 1%	52-0039	24.9 KOhm Resistor 1% 1/4 Watt Metal Film
2	R41,R94	560K	50-0269	560 KOhm Resistor 5% 1/4 Watt Carbon Film
2	R42,R95	16.9K 1%	52-0048	16.9 KOhm Resistor 1% 1/4 Watt Metal Film
2	R44,R62	7.15K 1%	52-0113	7.15 KOhm Resistor 1% 1/4 Watt Metal Film
6	R45,R63,R150,R171,R179, R200	5.76K 1%	52-0116	5.76 KOhm Resistor 1% 1/4 Watt Metal Film
6	R46,R64,R82,R105,R146, R175	7.50K 1%	52-2090	7.50 KOhm Resistor 1% 1/4 Watt Metal Film
4	R48,R49,R66,R67	124K 1%	52-0296	124 KOhm Resistor 1% 1/4 Watt Metal Film
2	R51,R69	6.34K 1%	52-0159	6.34 KOhm Resistor 1% 1/4 Watt Metal Film
4	R52,R56,R70,R74	280K 1%	52-0262	280 KOhm Resistor 1% 1/4 Watt Metal Film
2	R53,R71	200K 1%	52-0276	200 KOhm Resistor 1% 1/4 Watt Metal Film
4	R54,R55,R72,R73	523K 1%	52-0237	523 KOhm Resistor 1% 1/4 Watt Metal Film
2	R58,R76	412K 1%	52-0247	412 KOhm Resistor 1% 1/4 Watt Metal Film
2	R61,R89	2.49K 1%	52-0141	2.49 KOhm Resistor 1% 1/4 Watt Metal Film
2	R97,R118	22M	50-0307	22 MOhm Resistor 5% 1/4 Watt Carbon Film
2	R100,R104	174 1%	52-0387	174 Ohm Resistor 1% 1/4 Watt Metal Film
10	R112,R113,R128,R129,R135, R140,R163,R172,R192,R201	20.0K 1%	52-0091	20.0 KOhm Resistor 1% 1/4 Watt Metal Film
4	R114,R117,R130,R133	39.2K 1%	52-0079	39.2 KOhm Resistor 1% 1/4 Watt Metal Film
2	R119,R124	210 1%	52-0373	210 Ohm Resistor 1% 1/4 Watt Metal Film

056207b6

2	R120,R125	499 1%	52-0338	499 Ohm Resistor	1%	1/4	Watt Metal Film
2	R121,R134	10M	50-0060	10M MOhm Resistor	5%	1/4	Watt Carbon Film
2	R123,R127	1.74K 1%	52-0190	1.74 KOhm Resistor	1%	1/4	Watt Metal Film

DOD Software

Page

dbx 166A DUAL COMPRESSOR/EXPANDER 80-6207 Revised: April 29, 1996
 056207B6.000 Revision: B6

Bill Of Materials April 29, 1996 12:54:27
 Quan Reference Part SYMAN Description

2	R138,R143	2.67K 1%	52-0178	2.67 KOhm Resistor	1%	1/4	Watt Metal Film
4	R139,R144,R161,R190	33.2K 1%	52-0082	33.2 KOhm Resistor	1%	1/4	Watt Metal Film
2	R147,R176	4.32K 1%	52-0167	4.32 KOhm Resistor	1%	1/4	Watt Metal Film
4	R149,R153,R178,R182	3.16K 1%	52-0132	3.16 KOhm Resistor	1%	1/4	Watt Metal Film
2	R151,R180	3.24K 1%	52-0124	3.24 KOhm Resistor	1%	1/4	Watt Metal Film
4	R152,R155,R181,R184	4.53K 1%	52-0119	4.53 KOhm Resistor	1%	1/4	Watt Metal Film
4	R154,R158,R183,R187	60.4 1%	52-0450	60.4 Ohm Resistor	1%	1/4	Watt Metal Film
2	R157,R186	6.04K 1%	52-0115	6.04 KOhm Resistor	1%	1/4	Watt Metal Film
2	R165,R194	5.1K	50-0217	5.1 KOhm Resistor	5%	1/4	Watt Carbon Film
2	R166,R198	1.62K 1%	52-0131	1.62 KOhm Resistor	1%	1/4	Watt Metal Film
2	R168,R195	47	50-0166	47 Ohm Resistor	5%	1/4	Watt Carbon Film
2	R169,R196	150K	50-0038	150 KOhm Resistor	5%	1/4	Watt Carbon Film
2	R203,R204	200 1%	52-0376	200 Ohm Resistor	1%	1/4	Watt Metal Film
8	SC1,SC2,SC3,SC4,SC5,SC6,SC7,SC8	SC340125	34-0125	Switch Cap, Black			
2	SW1,SW2	SW440027	44-0027	DPDT I/O Switch (mini), PC Mount			
5	SW3,SW4,SW5,SW6,SW7	SW440026	44-0026	4PDT I/O Switch (small), PC Mount			
1	SW8	SW440022	44-0022	6PDT I/O Switch (mini), PC Mount			
9	TP1,TP2,TP3,TP4,TP5,TP6,TP7,TP8,TP9	TP500317	50-0317	0 Ohm Test Pt	5%	1/4	Watt Carbon Film Radial T&R
8	U1,U2,U3,U4,U5,U6,U7,U8	LM339	72-4053	Quad Comparator			
2	U9,U13	UPC1253	72-4261	UPC1253HA2 RMS			
6	U10,U12,U14,U16,U18,U21	TL074	72-4021	Quad JFet-Input Op-Amp			
2	U11,U15	CA3046D	72-4321	CA3046 Matched Transister Pairs BPO			
1	U17	7915-V	70-4124	7915 -15 Volt	1 A	Voltage Regulator TO-220 VERT	
4	U19,U20,U22,U23	NE5532	72-4316	5532 Low Noise Dual Op-Amp			
1	U24	7815-V	70-4123	7815 +15 Volt	1 A	Voltage Regulator TO-220 VERT	
2	U25,U26	UPC1252	72-4262	UPC1252HA2 VCA			
6	WA8,WA10,WA12,WA13,WA15,WA17	WA283449	28-3449	Washer, Ground, Int tooth, for Cliff S2 Jack			
1	WR1	W361140	36-1140-A	Wire, 2 End, 4.00", Grn w/Yel stripe 18AWG			