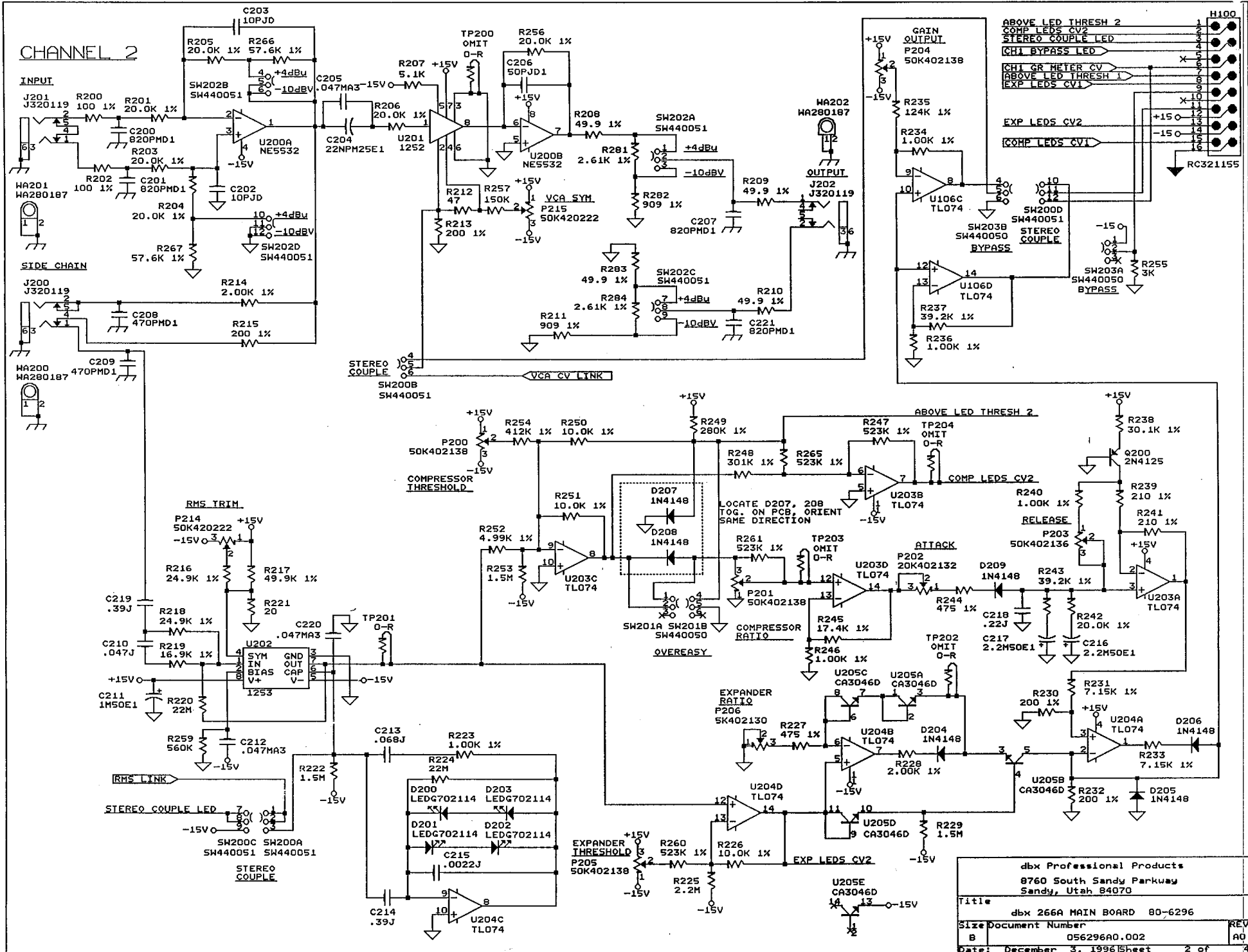


dbx Professional Products
 8760 South Sandy Parkway
 Sandy, Utah 84070

Title
 dbx 266A MAIN BOARD 80-6296

Size Document Number
 B 056296A0.001

Date: December 3, 1996 Sheet 1 of 4

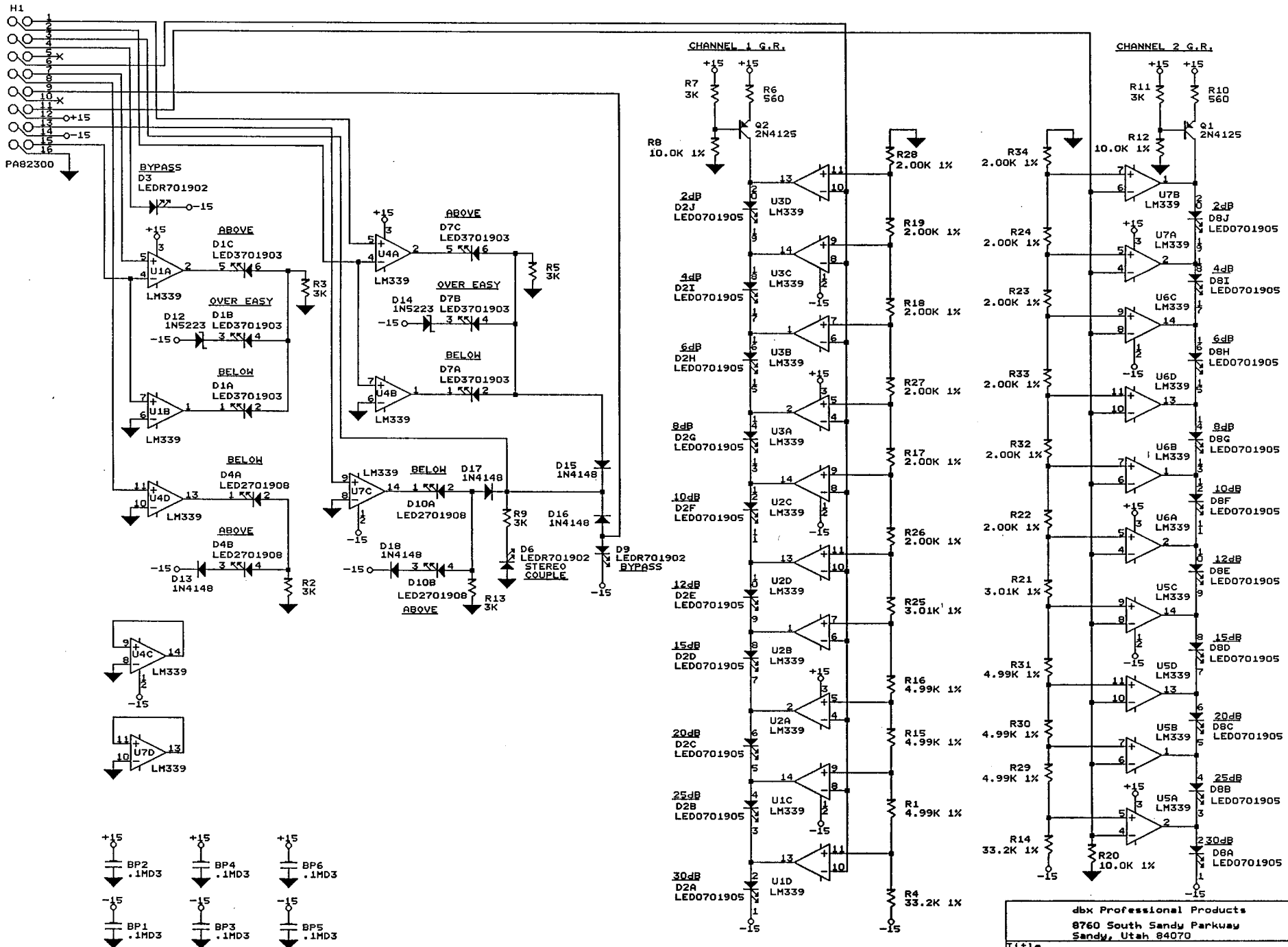


dbx Professional Products
 8760 South Sandy Parkway
 Sandy, Utah 84070

Title
 dbx 266A MAIN BOARD 80-6296

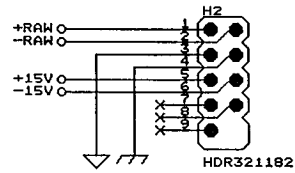
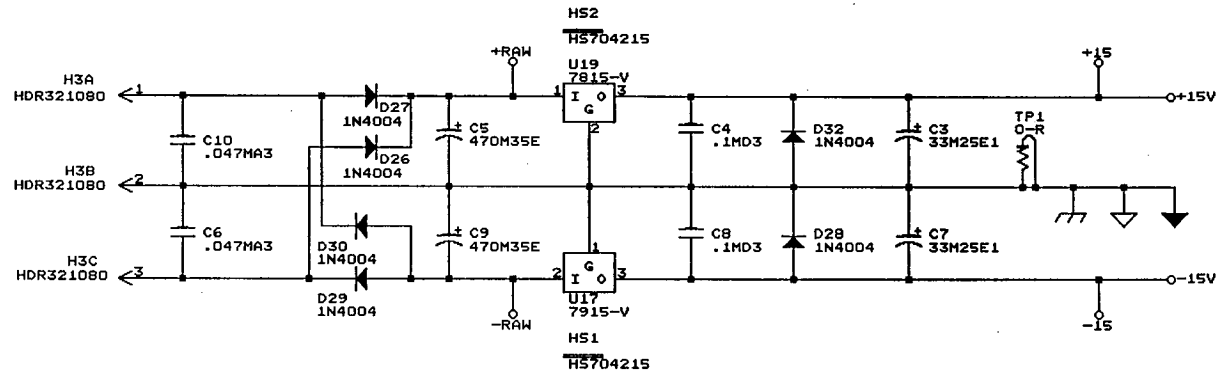
Size Document Number
 B 056296A.002

Date: December 3, 1996 Sheet 2 of 4

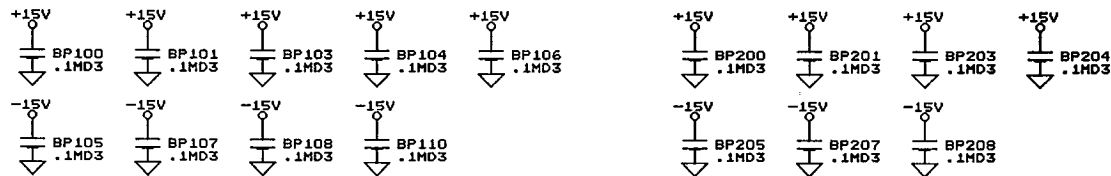


dbx Professional Products
 8760 South Sandy Parkway
 Sandy, Utah 84070

Title	dbx 266A DISPLAY BOARD 80-6296	
Size	Document Number	REV
B	056296A0.003	A0
Date:	December 12, 1996	Sheet 3 of 4



- SC100
- SC340125
- SC101
- SC340125
- SC102
- SC340125
- PCB1
- 80-6296-A
- SC200
- SC340125
- SC201
- SC340125
- SC202
- SC340125
- SC203
- SC340125
- HP1
- HP300H156



dbx Professional Products 8760 South Sandy Parkway Sandy, Utah 84070		
Title dbx 266A MAIN BOARD 80-6296		
Size	Document Number	REV
B	056296A0.004	A0
Date: December 12, 1996 Sheet 4 of 4		

dbx 266A MAIN BOARD 80-6296

Revised: December 3, 1996

056296A0.000

Revision: A0

Bill Of Materials

December 12, 1996

11:52:50

Quan	Reference	Part	SYMAN	Description
24	BP1, BP2, BP3, BP4, C4, BP5, BP6, C8, BP100, BP101, BP103, BP104, BP105, BP106, BP107, BP108, BP110, BP200, BP201, BP203, BP204, BP205, BP207, BP208	.1MD3	62-0060	.1 uF Cap 50V 20% Ceramic AXL
2	C3, C7	33M25E1	60-0401	33 uF Cap 25V -20/+20% Elect. Rad, T&R
2	C5, C9	470M35E	60-0060	470 uF Cap 35V -20/+20% Elect-S
8	C6, C10, C105, C112, C120, C205, C212, C220	.047MA3	62-0067	0.047 uF Cap 50V 20% Axial Monolithic
8	C100, C101, C107, C121, C200, C201, C207, C221	820PMD1	62-0005	820 pF Cap 50V 20% Ceramic Disc T&R
4	C102, C103, C202, C203	10PJD	62-0013	10 pF Cap 50V 5% Ceramic Disc
2	C104, C204	22NPM25E1	60-0402	22 uF Cap 25V -20/+20% Elect. NP, T&R
2	C106, C206	50PJD1	62-0008	50 pF Cap 50V 5% Ceramic Disc T&R
4	C108, C109, C208, C209	470PMD1	62-0003	470 pF Cap 50V 20% Ceramic Disc T&R
2	C110, C210	.047J	56-0010	.047 uF Cap 50V 5% Stacked Metal Pet 473J ammo
2	C111, C211	1M50E1	60-0044-01	1.0 uF Cap 50V -20/+20% Elect., T&R C&F
2	C113, C213	.068J	56-0011	.068 uF Cap 50V 5% Stacked Metal Pet 683J ammo
4	C114, C119, C214, C219	.39J	56-0040	.39 uF Cap 50V 5% Stacked Metal Pet 394J ammo
2	C115, C215	.0022J	56-0002	.0022 uF Cap 50V 5% Poly Film 222J ammo
4	C116, C117, C216, C217	2.2M50E1	60-0400	2.2 uF Cap 50V -20/+20% Elect. Rad, T&R
2	C118, C218	.22J	56-0014	.22 uF Cap 50V 5% Stacked Metal Pet 224J ammo
2	D1, D7	LED3701903	70-1903	LED ARRAY, Gn/Yl/Rd, RT. ANGLE, anti-tip housing
2	D2, D8	LED0701905	70-1905	LED ARRAY, RED 10 POS, RT. ANGLE, anti-tip housing
3	D3, D6, D9	LEDR701902	70-1902	LED Red, RT. ANGLE, anti-tip housing
2	D4, D10	LED2701908	70-1908	LED ARRAY, Rd/Gn, RT. ANGLE, anti-tip housing
2	D12, D14	1N5223	70-0041	1N5223 Diode Zener Glass, 1/2W, 50V, 10%
17	D13, D15, D16, D17, D18, D104, D105, D106, D107, D108, D109, D204, D205, D206, D207, D208, D209	1N4148	70-0002	1N4148 Diode Silicon Switching, 75 Volts PIV
6	D26, D27, D28, D29, D30, D32	1N4004	70-0009	1N4004 Rect 1A 400V
8	D100, D101, D102, D103, D200, D201, D202, D203	LEDG702114	70-2114	Green Light Emitting Diode, T1 (AUTO INSERT)
1	H1	PA82300	00-0000	8X2 Pin Pad Pattern, Not a part, .300 Spacing
1	H2	HDR321182	32-1182	9 Pin Hdr, 5X2, Straight, .23", 0.1" spacing
1	H3	HDR321080	32-1080	3 Pin Header, 0.1" spacing, 0.025" sq pins, Locking
1	H100	RC321155	32-1155	16 Pin Cable, Flat, w/2 ends, 3.00", 0.1" spacing
2	HS1, HS2	HS704215	70-4215	Heatsink, PCB Mount, Vert, for TO-220
6	J100, J101, J102, J200, J201, J202	J320119	32-0119	1/4 Phone Jack, Hor. Mount, Full Nose Thread Slimline
1	MP1	MP300H156	00-0000	This is not a part
8	P100, P101, P104, P105, P200, P201, P204, P205	50K402138	40-2138	50 K "B" 16mm, Rot Pot, 15mm D shaft, 41 Click
2	P102, P202	20K402132	40-2132	20 K "A" 16mm, Rot Pot, 15mm D shaft, 41 Click
2	P103, P203	50K402136	40-2136	50 K "A" 16mm, Rot Pot, 15mm D shaft, 41 Click
2	P106, P206	5K402130	40-2130	5 K "C" 16mm, Rot Pot, 15mm D shaft, 41 Click
4	P114, P115, P214, P215	50K420222	42-0222	50 K Trim Pot, Vertical Mount, 3/4 turn
1	PCB1	80-6296-A	80-6296-A	dbx 266AE MAIN PCB, RAW
4	Q1, Q2, Q100, Q200	2N4125	70-1008	2N4125 PNP, Gen. Purp. Amplifier/Switching Xstr
8	R1, R15, R16, R29, R30, R31,	4.99K 1%	52-0165	4.99 KOhm Resistor 1% 1/4 Watt Metal Film

DOD Software

dbx 266A MAIN BOARD 80-6296

Revised: December 3, 1996

056296A0.000

Revision: A0

Bill Of Materials

December 12, 1996 11:52:50

Quan Reference	Part	SYMAN	Description
	R152,R252		
9	R2,R3,R5,R7,R9,R11,R13, R158,R255	3K	50-0211 3 KOhm Resistor 5% 1/4 Watt Carbon Film
2	R4,R14	33.2K 1%	52-0082 33.2 KOhm Resistor 1% 1/4 Watt Metal Film
2	R6,R10	560	50-0193 560 Ohm Resistor 5% 1/4 Watt Carbon Film
9	R8,R12,R20,R126,R150, R151,R226,R250,R251	10.0K 1%	52-0107 10.0 KOhm Resistor 1% 1/4 Watt Metal Film
16	R17,R18,R19,R22,R23,R24, R26,R27,R28,R32,R33,R34, R114,R128,R214,R228	2.00K 1%	52-0186 2.00 KOhm Resistor 1% 1/4 Watt Metal Film
2	R21,R25	3.01K 1%	52-0125 3.01 KOhm Resistor 1% 1/4 Watt Metal Film
4	R100,R102,R200,R202	100 1%	52-0400 100 Ohm Resistor 1% 1/4 Watt Metal Film
14	R101,R103,R104,R105,R106, R142,R156,R201,R203,R204, R205,R206,R242,R256	20.0K 1%	52-0091 20.0 KOhm Resistor 1% 1/4 Watt Metal Film
2	R107,R207	5.1K	50-0217 5.1 KOhm Resistor 5% 1/4 Watt Carbon Film
8	R108,R109,R110,R183,R208, R209,R210,R283	49.9 1%	52-2006 49.9 Ohm Resistor 1% 1/4 Watt Metal Film
4	R111,R182,R211,R282	909 1%	52-0313 909 Ohm Resistor 1% 1/4 Watt Metal Film
2	R112,R212	47	50-0166 47 Ohm Resistor 5% 1/4 Watt Carbon Film
8	R113,R115,R130,R132,R213, R215,R230,R232	200 1%	52-0376 200 Ohm Resistor 1% 1/4 Watt Metal Film
4	R116,R118,R216,R218	24.9K 1%	52-0039 24.9 KOhm Resistor 1% 1/4 Watt Metal Film
2	R117,R217	49.9K 1%	52-0020 49.9 KOhm Resistor 1% 1/4 Watt Metal Film
2	R119,R219	16.9K 1%	52-0048 16.9 KOhm Resistor 1% 1/4 Watt Metal Film
4	R120,R124,R220,R224	22M	50-0307 22 MOhm Resistor 5% 1/4 Watt Carbon Film
2	R121,R221	20	50-0157 20 Ohm Resistor 5% 1/4 Watt Carbon Film
6	R122,R129,R153,R222,R229, R253	1.5M	50-0053 1.5 MOhm Resistor 5% 1/4 Watt Carbon Film
10	R123,R134,R136,R140,R146, R223,R234,R236,R240,R246	1.00K 1%	52-0133 1.00 KOhm Resistor 1% 1/4 Watt Metal Film
2	R125,R225	2.2M	50-0282 2.2 MOhm Resistor 5% 1/4 Watt Carbon Film
4	R127,R144,R227,R244	475 1%	52-0340 475 Ohm Resistor 1% 1/4 Watt Metal Film
4	R131,R133,R231,R233	7.15K 1%	52-0113 7.15 KOhm Resistor 1% 1/4 Watt Metal Film
2	R135,R235	124K 1%	52-0296 124 KOhm Resistor 1% 1/4 Watt Metal Film
4	R137,R143,R237,R243	39.2K 1%	52-0079 39.2 KOhm Resistor 1% 1/4 Watt Metal Film
2	R138,R238	30.1K 1%	52-0083 30.1 KOhm Resistor 1% 1/4 Watt Metal Film
4	R139,R141,R239,R241	210 1%	52-0373 210 Ohm Resistor 1% 1/4 Watt Metal Film
2	R145,R245	17.4K 1%	52-0047 17.4 KOhm Resistor 1% 1/4 Watt Metal Film
8	R147,R160,R161,R165,R247, R260,R261,R265	523K 1%	52-0237 523 KOhm Resistor 1% 1/4 Watt Metal Film
2	R148,R248	301K 1%	52-0259 301 KOhm Resistor 1% 1/4 Watt Metal Film
2	R149,R249	280K 1%	52-0262 280 KOhm Resistor 1% 1/4 Watt Metal Film
2	R154,R254	412K 1%	52-0247 412 KOhm Resistor 1% 1/4 Watt Metal Film
2	R157,R257	150K	50-0038 150 KOhm Resistor 5% 1/4 Watt Carbon Film
2	R159,R259	560K	50-0269 560 KOhm Resistor 5% 1/4 Watt Carbon Film
4	R166,R167,R266,R267	57.6K 1%	52-0018 57.6 KOhm Resistor 1% 1/4 Watt Metal Film
4	R181,R184,R281,R284	2.61K 1%	52-0127 2.61 KOhm Resistor 1% 1/4 Watt Metal Film
7	SC100,SC101,SC102,SC200, SC201,SC202,SC203	SC340125	34-0125 Switch Cap, Black
4	SW100,SW102,SW201,SW203	SW440050	44-0050 Mini In/Out DPDT Switch (6 Pin) E-Switch
3	SW101,SW200,SW202	SW440051	44-0051 Mini In/Out 4PDT Switch (12 Pin) E-Switch

DOD Software

dbx 266A MAIN BOARD 80-6296

Revised: December 3, 1996

056296A0.000

Revision: A0

Bill Of Materials

December 12, 1996

11:52:50

Quan Reference

Part

SYMAN

Description

Quan Reference	Part	SYMAN	Description
3	TP1,TP101,TP201	0-R	50-0317 0 Ohm Resistor 5% 1/4 Watt Carbon Film Radial T&R
8	TP100,TP102,TP103,TP104, TP200,TP202,TP203,TP204	OMIT	00-0000 This part has been omitted
7	U1,U2,U3,U4,U5,U6,U7	LM339	72-4053 Quad Comparator
1	U17	7915-V	70-4124 7915 -15 Volt 1 A Voltage Regulator TO-220 VERT
1	U19	7815-V	70-4123 7815 +15 Volt 1 A Voltage Regulator TO-220 VERT
2	U100,U200	NE5532	72-4316 5532 Low Noise Dual Op-Amp
2	U101,U201	1252	72-4062 VCA, dbx UPC1252HA2 NEC Ungraded
2	U102,U202	1253	72-4067 RMS Detector,dbx UPC1253HA2 NEC
5	U103,U104,U106,U203,U204	TL074	72-4021 Quad JFet-Input Op-Amp
2	U105,U205	CA3046D	72-4321 CA3046 Matched Transister Pairs BPO
6	WA100,WA101,WA102,WA200, WA201,WA202	WA280187	28-0187-A Washer, for grounding J320119