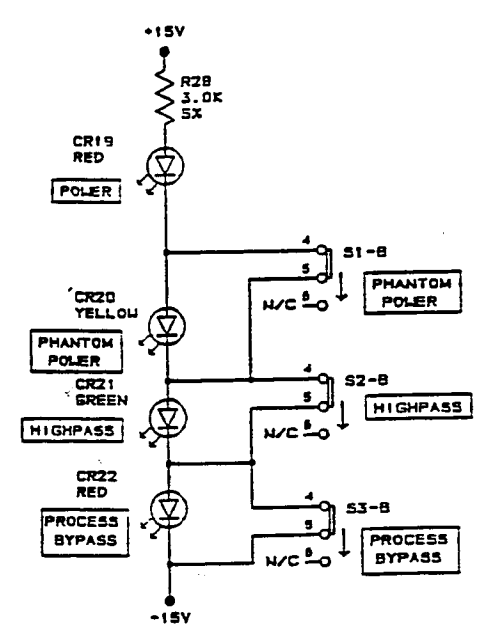
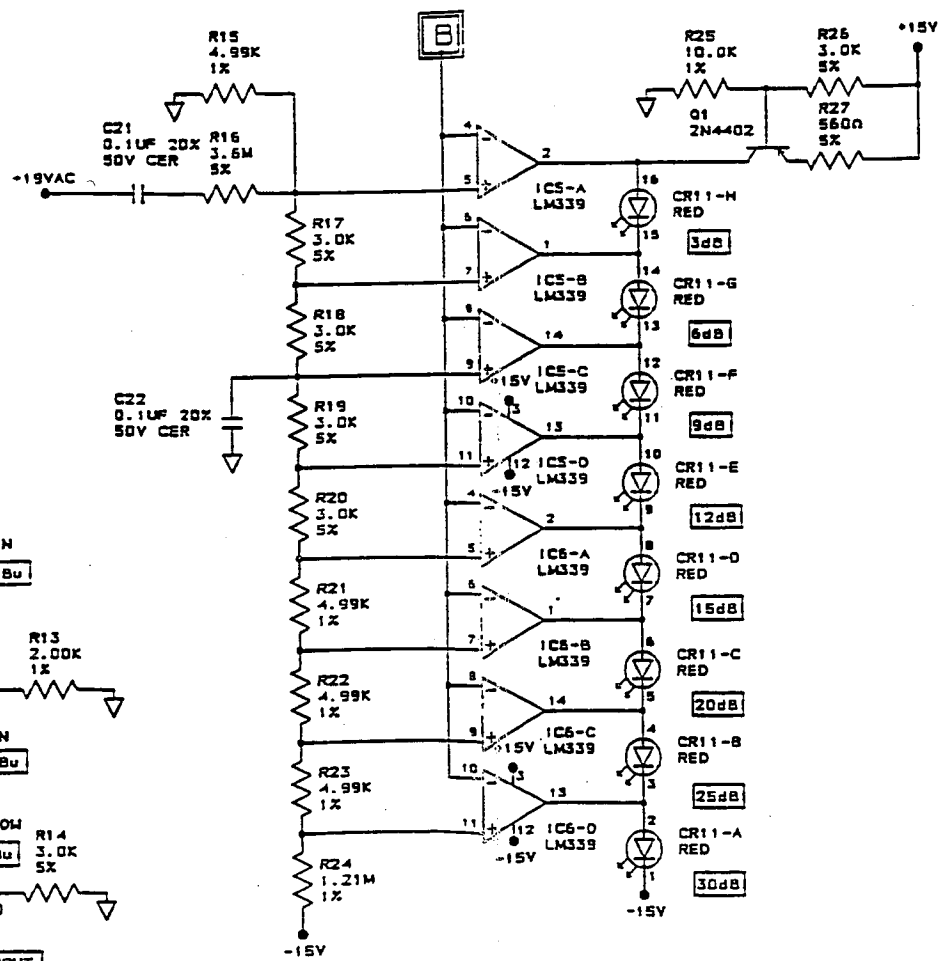
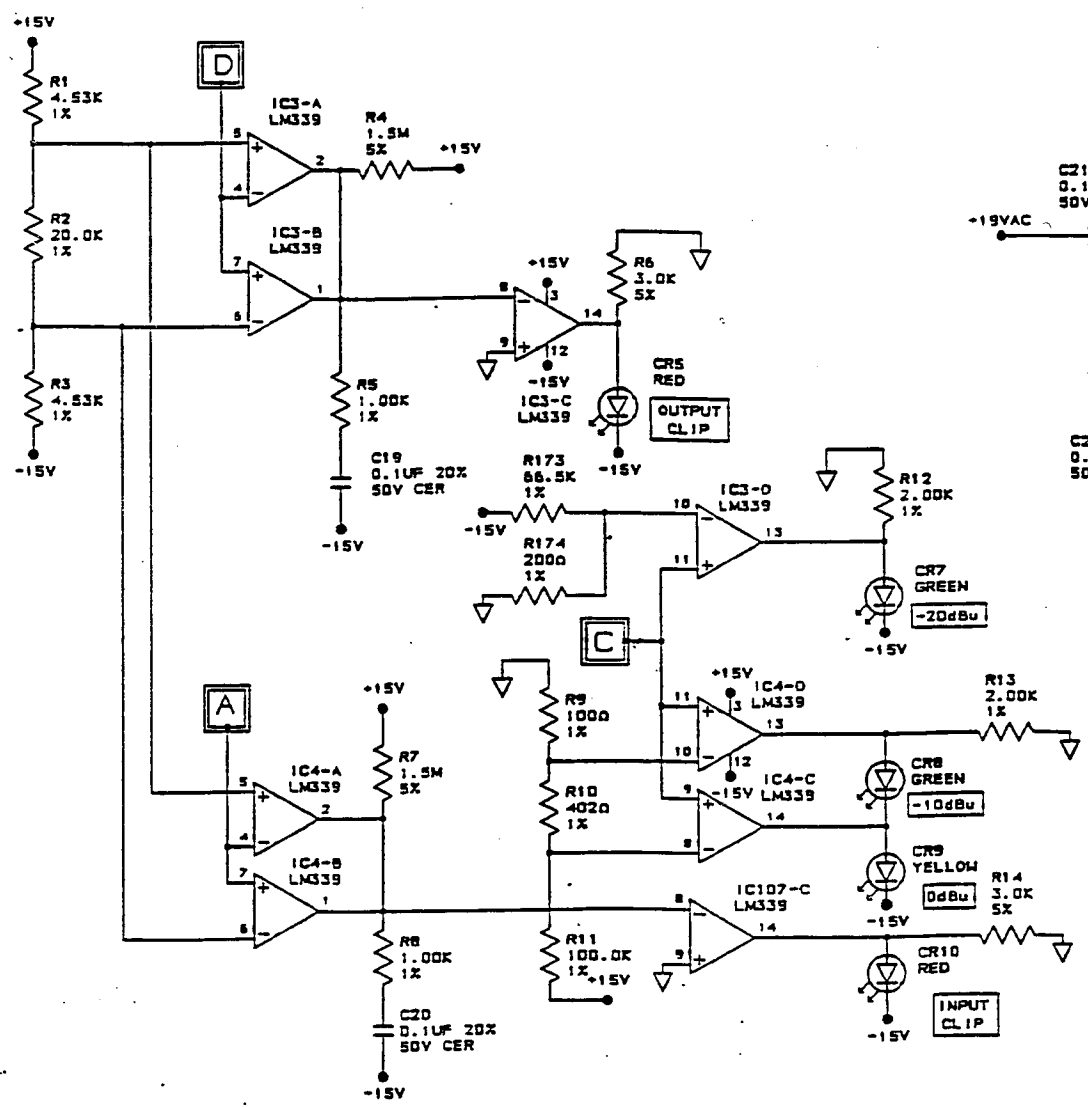
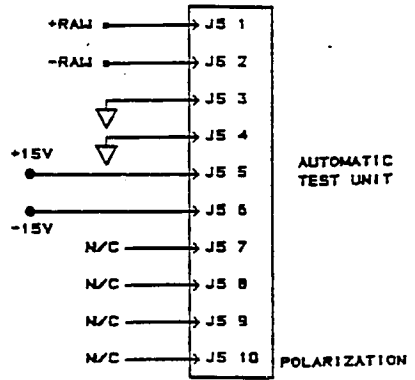
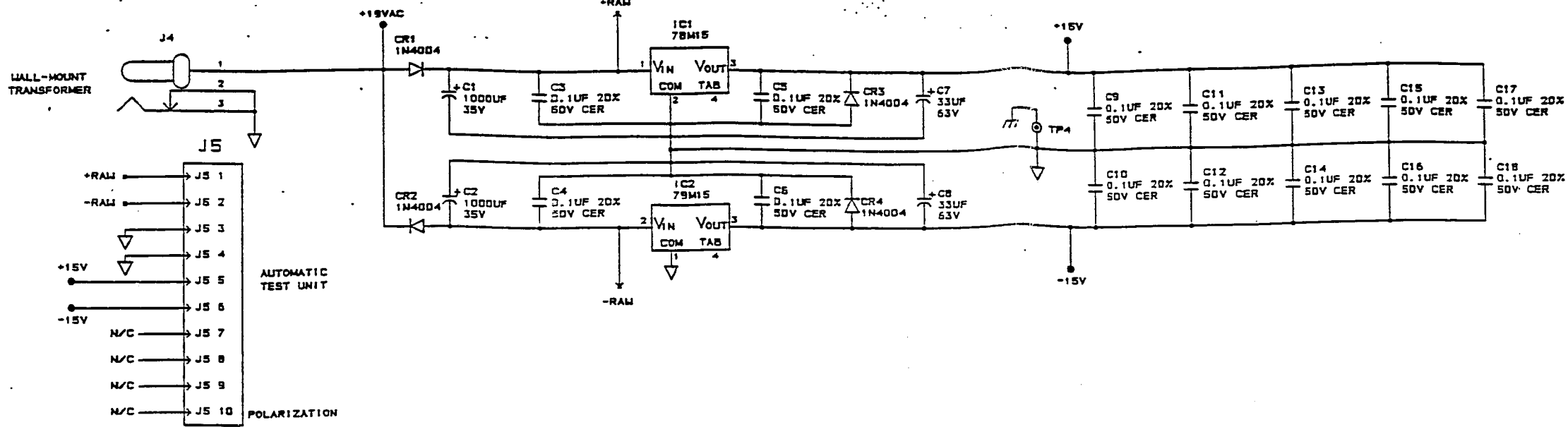


Engineering Original

88	12/15/84	ADD TRIM POT	JD	
143	1/10/85	VALUE CHANGE	JD	
1958	4/12/94	02	VALUE CHANGES	DB
1900	2/18/94	01	RELEASE FOR PILOT RUN	DB
DOC NO.	DATE	REV	DESCRIPTION	DESIGNED/CHECKED
REVISIONS				
AKG		SCHEMATIC		
IDENTIFIED BY		TITLE		
286		286 MIC PROCESSOR		
APPROVALS	DATE	REV	REV	REV
DRG BORSA	10/4/93	5	61185	000 02 10P2
APP	4/22/94			



Engineering Original!

REV	DATE	DESCRIPTION	CHANGES	CHKD
1				

		TITLE SCHEMATIC	
MODEL 285	DATE 10/4/93	DBX 285 MIC PROCESSOR	
APPROVALS		POLAR SUPPLY/DISPLAY	
DES BORBA	APP	SIZE D	REV 02
CD	DATE 4/20/94	PLG NO 61165	SHEET 20F2