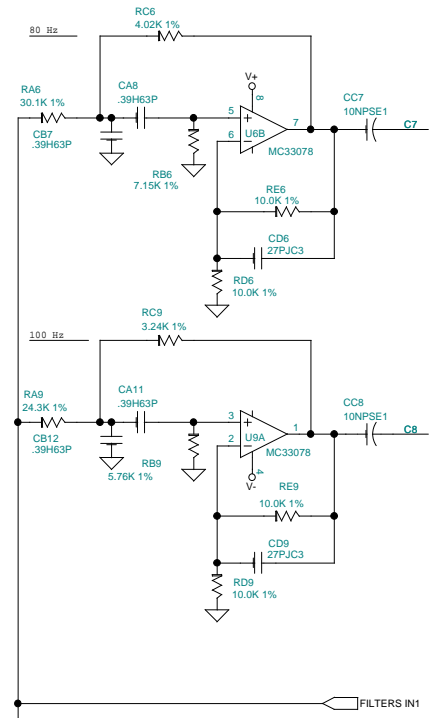
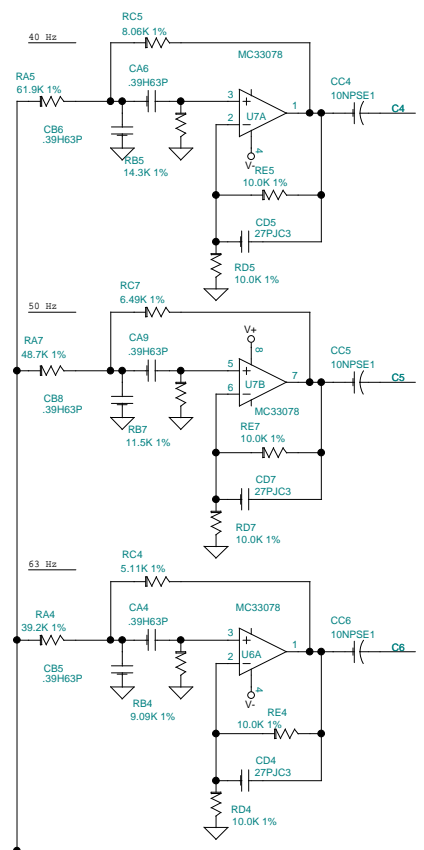
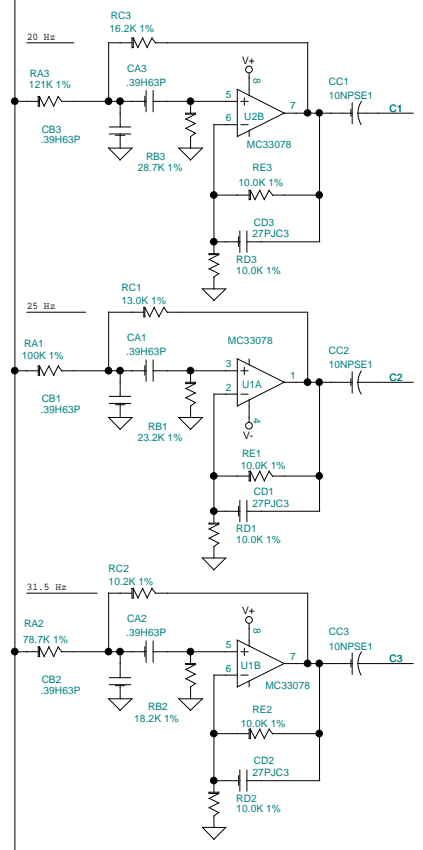
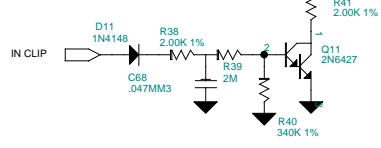
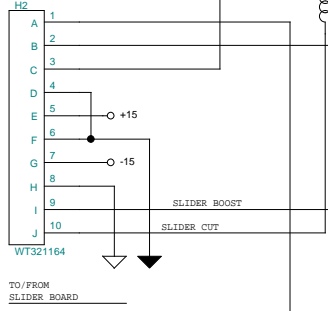
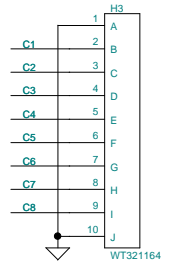
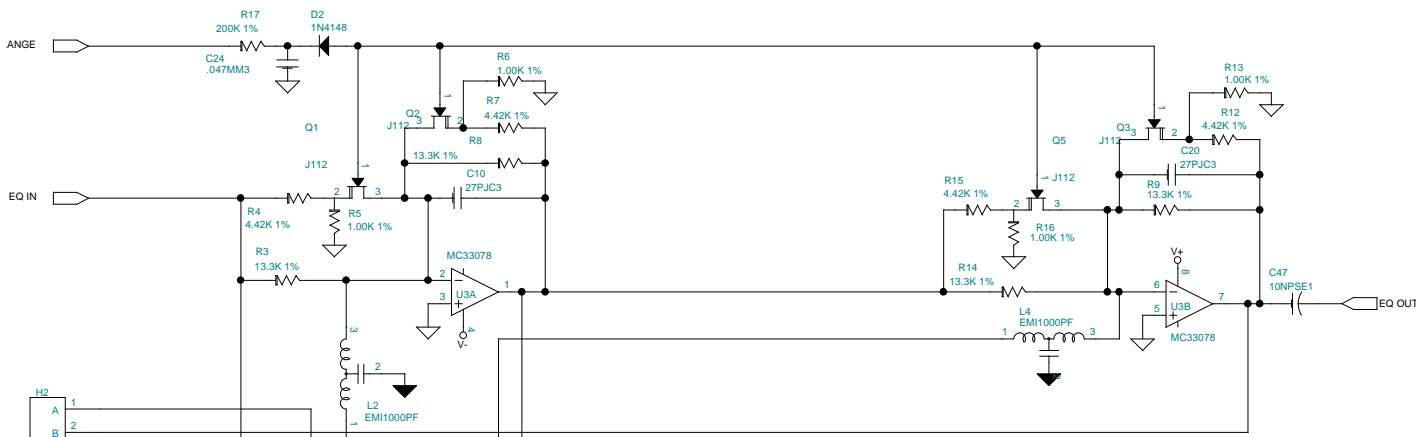
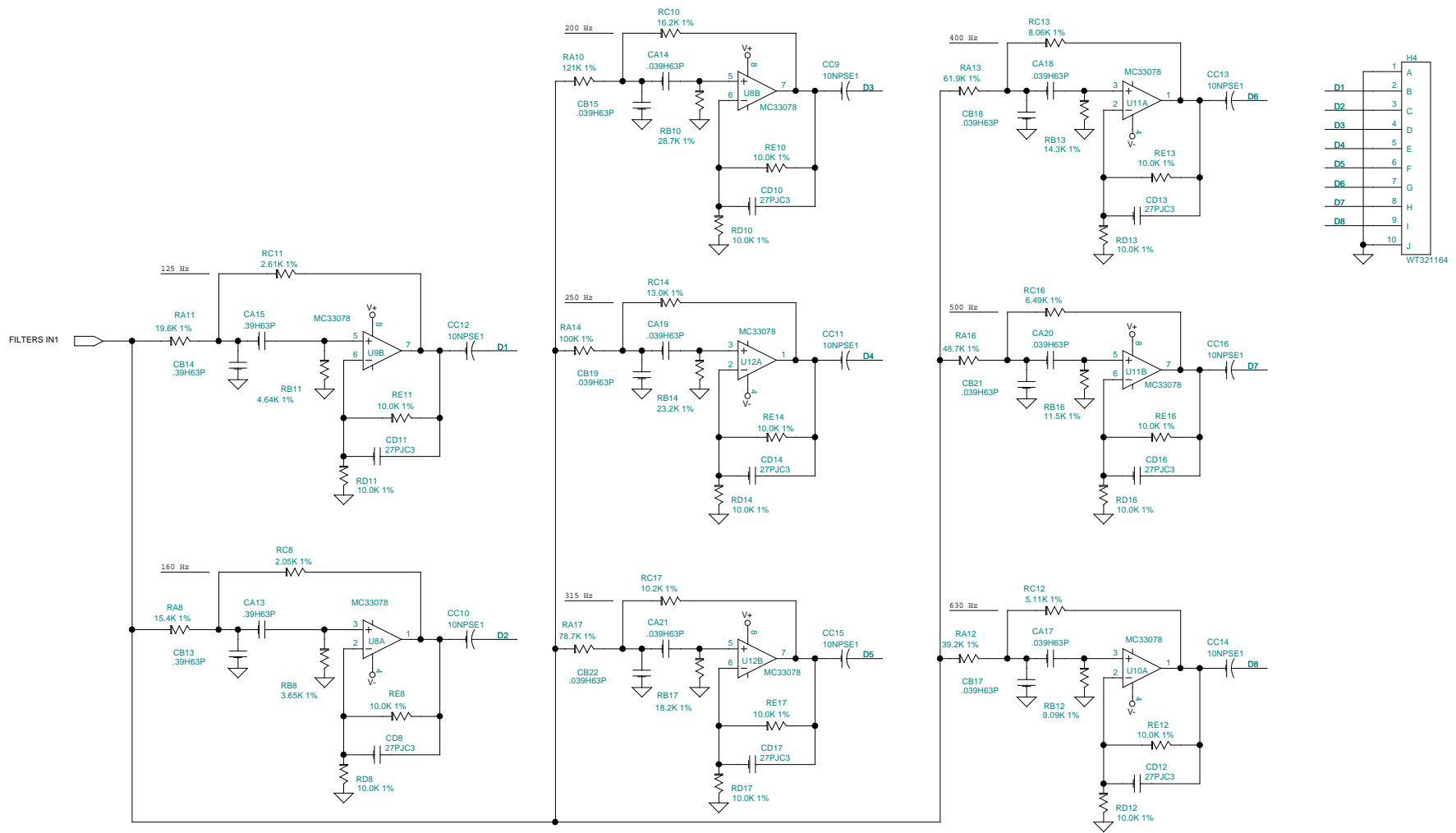


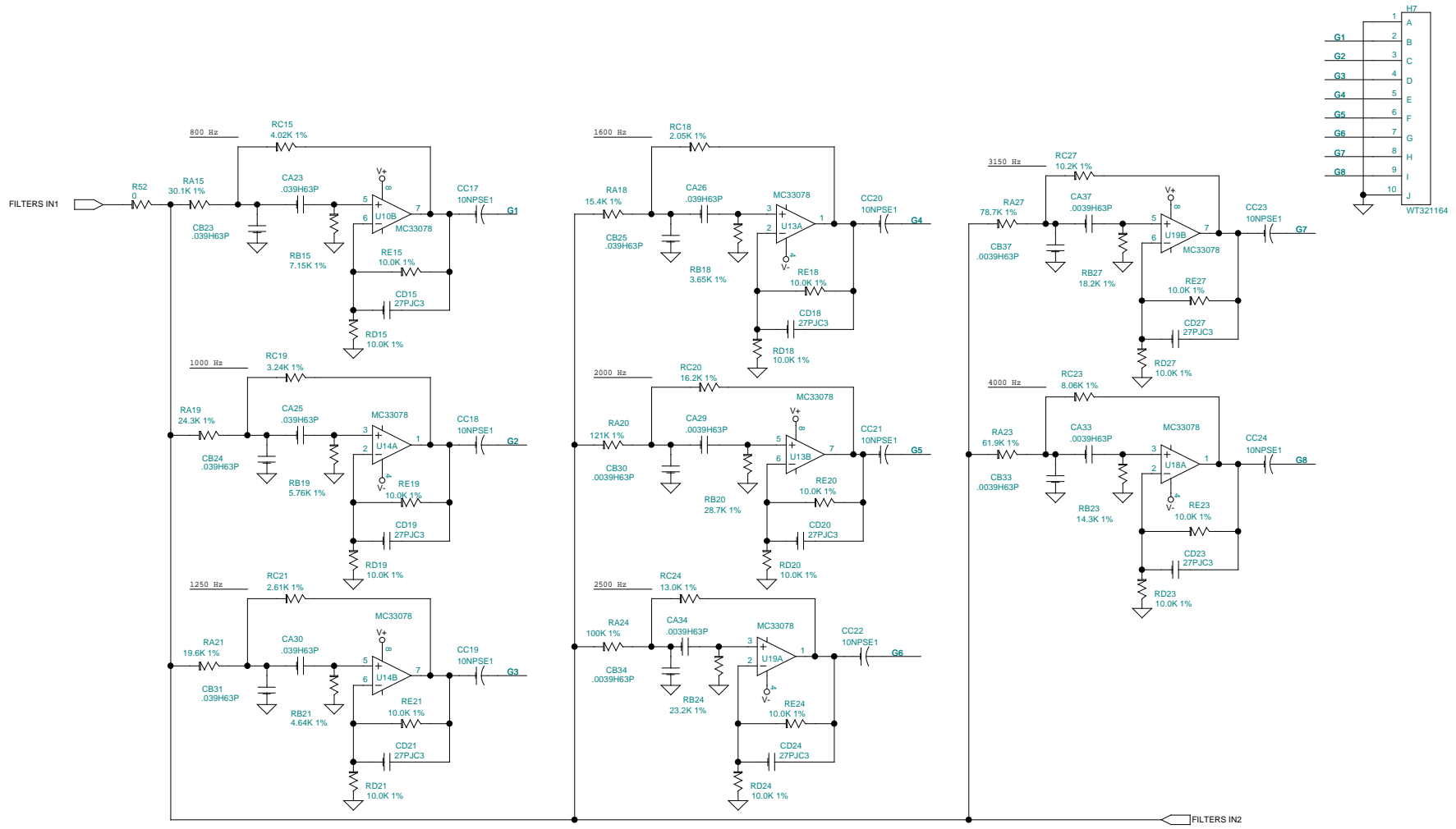
dbx Professional Products		
8760 South Sandy Parkway Sandy, Utah 84070		
Title dbx 3231L CH1 MAIN BOARD 80-3238		
Size B	Document Number 053238A1.001	Rev A1
Date: Monday, October 25, 1999	Sheet 1 of 5	



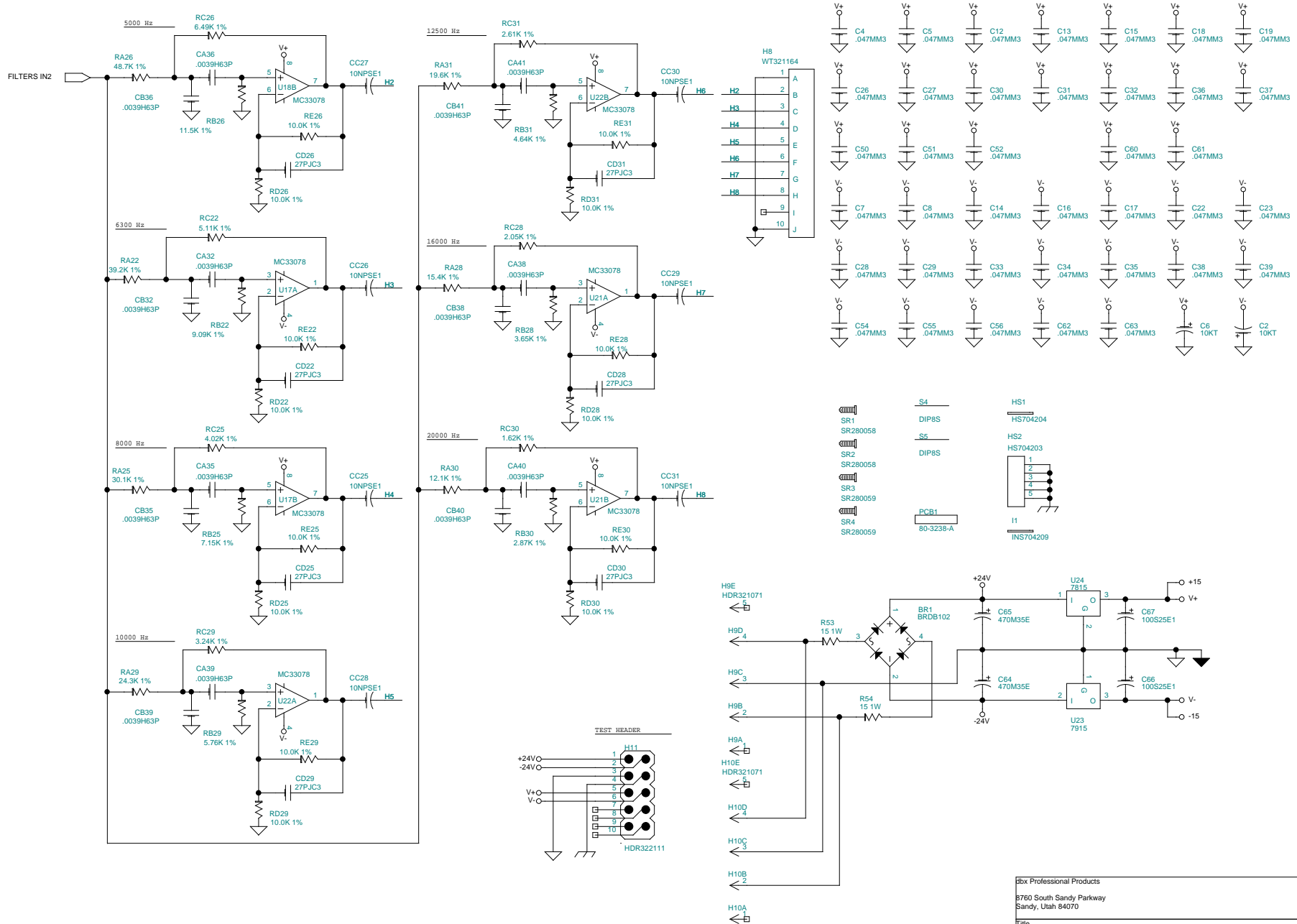
dbx Professional Products		
8760 South Sandy Parkway Sandy, Utah 84070		
Title dbx 3231L CH1 MAIN BOARD 80-3238		
Size B	Document Number 053238A1.002	Rev A1
Date:	Monday, October 25, 1999	Sheet 2 of 5



dbx Professional Products	
8760 South Sandy Parkway Sandy, Utah 84070	
Title dbx 3231L CH1 MAIN BOARD 80-3238	
Size B	Document Number 053238A1.003
Date: Monday, October 25, 1999	Rev A1
Sheet 3 of 5	



dbx Professional Products			
8760 South Sandy Parkway Sandy, Utah 84070			
Title dbx 3231L CH1 MAIN BOARD 80-3238			
Size B	Document Number 053238A1.004	Rev A1	
Date: Monday, October 25, 1999	Sheet 4 of 5		



dbx Professional Products	
8760 South Sandy Parkway Sandy, Utah 84070	
Title: dbx 3231L CH1 MAIN BOARD 80-3238	
Size: B	Document Number: 053238A1.005
Date: Monday, October 25, 1999	Rev: A1

Quan	Reference	Part	SYMAN	Description
1	B1	BAR320301	32-0301	6 Position, PC Mount, Barrier Strip
1	BR1	BRDB102	70-0129	Bridge Rectifier
34	C1,CD1,CD2,CD3,CD4,CD5, CD6,CD7,CD8,CD9,C10,CD10, CD11,CD12,CD13,CD14,CD15, CD16,CD17,CD18,CD19,C20, CD20,CD21,CD22,CD23,CD24, CD25,CD26,CD27,CD28,CD29, CD30,CD31	27PJC3	62-0066	27 pF Cap 50V 20% Axial Monolithic
2	C2,C6	10KT	62-0163	10 uF Cap 16V 10% Tantalum T&R
40	C4,C5,C7,C8,C12,C13,C14, C15,C16,C17,C18,C19,C22, C23,C24,C26,C27,C28,C29, C30,C31,C32,C33,C34,C35, C36,C37,C38,C39,C50,C51, C52,C54,C55,C56,C60,C61, C62,C63,C68	.047MM3	62-0067	0.047 uF Cap 50V 20% Axial Monolithic
2	C11,C21	47S63E	60-0301	47 uF Cap 63V -20/+80% Elect
1	C25	47SE1	60-0054-01	47 uF Cap 16V -20/+20% Elect., T&R
2	C64,C65	470M35E	60-0060	470 uF Cap 35V -20/+20% Elect-S
2	C66,C67	100S25E1	60-0055	100 uF Cap 25V -20/+80% Elect-D T&R
20	CA1,CB1,CA2,CB2,CA3,CB3, CA4,CB5,CA6,CB6,CB7,CA8, CB8,CA9,CA11,CB12,CA13, CB13,CB14,CA15	.39H63P	62-0152	.39 uF Cap 63V 3% Poly. Film
20	CA14,CB15,CA17,CB17,CA18, CB18,CA19,CB19,CA20,CA21, CB21,CB22,CA23,CB23,CB24, CA25,CB25,CA26,CA30,CB31	.039H63P	62-0151	.039 uF Cap 63V 3% Poly. Film PET
22	CA29,CB30,CA32,CB32,CA33, CB33,CA34,CB34,CA35,CB35, CA36,CB36,CA37,CB37,CA38, CB38,CA39,CB39,CA40,CB40, CA41,CB41	.0039H63P	62-0150	.0039 uF Cap 63V 3% Poly. Film PET
33	CC1,CC2,C3,CC3,CC4,CC5, CC6,CC7,CC8,CC9,CC10, CC11,CC12,CC13,CC14,CC15, CC16,CC17,CC18,CC19,CC20, CC21,CC22,CC23,CC24,CC25, CC26,CC27,CC28,CC29,CC30, CC31,C47	10NPSE1	60-0051-01	10 uF Cap 16V -20/+80% Elect., NP T&R
7	D1,D2,D7,D8,D9,D10,D11	1N4148	70-0002	1N4148 Silicon Switching Diode, 75 Volts PIV
1	D3	1N4001	70-0001	1N4001 Silicon Rectifier, 1 Amp, 50 Volts PIV
6	H1,H2,H3,H4,H7,H8	WT321164	32-1164	10 Circuit Wire Trap Connector, 2mm Pitch
2	H9,H10	HDR321071	32-1071	5 Pin Header, 0.1" spacing, 0.025" sq pins Lockin
1	H11	HDR322111	32-2111	10 Pin Hdr, 5X2, Straight, .23", 0.1" spacing
2	H12,H13	HDR321063	32-1063	5 Pin Header, 0.1" spacing, 0.025" sq pins, 0.43" pins
1	HS1	HS704204	70-4204	Heatsink, 3 Regulator, Top
1	HS2	HS704203	70-4203	Heatsink, 3 Regulator, U-Shape Base

053238a1

1	I1	INS704209	70-4209	Insulator, 3 Regulator Heatsink
2	J1,J4	J322110	32-2110	Jack, 1/4" Phone, PCB Mount, Hor., Cliff S2
1	J2	J322115	32-2115	XLR, Ins, Female PC Mount, R/A

DOD Software

Page

dbx 3231L CH1 MAIN BOARD 80-3238

Revised: March 15, 1995

053238A1.000

Revision: A1

Bill Of Materials

March 15, 1995 9:23:37

Quan Reference

Part SYMAN Description

1	J3	J322114	32-2114	XLR, Ins, Male PC Mount, R/A
1	K1	RLY725143	72-5143	DPDT Relay Switch
6	L1,L2,L3,L4,L9,L10	EMI1000PF	62-2101	1000 pF Filter, EMI, SUPP, 50V
1	PCB1	80-3238-A	80-3238-A	dbx 3000 SERIES EQ MAIN PCB RAW
6	PJ1,PJ2,PJ3,PJ4,PJ5,PJ6	PJ	----	This is not a part.
4	Q1,Q2,Q3,Q5	J112	70-1012	J112A JFET, National Only
1	Q4	2N5088	70-1007	2N5088 NPN, T&R
1	Q11	2N6427	70-1150	2N6427 Darlington
2	R1,R2	49.9K 1%	52-0020	49.9 KOhm Resistor 1% 1/4 Watt Metal Film
4	R3,R8,R9,R14	13.3K 1%	52-0053	13.3 KOhm Resistor 1% 1/4 Watt Metal Film
4	R4,R7,R12,R15	4.42K 1%	52-0120	4.42 KOhm Resistor 1% 1/4 Watt Metal Film
4	R5,R6,R13,R16	1.00K 1%	52-0133	1.00 KOhm Resistor 1% 1/4 Watt Metal Film
1	R10	330	50-0005	330 Ohm Resistor 5% 1/4 Watt Carbon Film
1	R11	220K	50-0040	220 KOhm Resistor 5% 1/4 Watt Carbon Film
1	R17	200K 1%	52-0276	200 KOhm Resistor 1% 1/4 Watt Metal Film
1	R18	75K	50-0033	75 KOhm Resistor 5% 1/4 Watt Carbon Film
2	R38,R41	2.00K 1%	52-0186	2.00 KOhm Resistor 1% 1/4 Watt Metal Film
1	R39	2M	50-0046	2 MOhm Resistor 5% 1/4 Watt Carbon Film
1	R40	340K 1%	52-0254	340 KOhm Resistor 1% 1/4 Watt Metal Film
1	R52	0	50-0050	0 Ohm Resistor 5% 1/4 Watt Carbon Film
2	R53,R54	15 1W	50-1153	15 Ohm Resistor 5% 1 Watt MOF Flameproof
3	RA1,RA14,RA24	100K 1%	52-0305	100 KOhm Resistor 1% 1/4 Watt Metal Film
3	RA2,RA17,RA27	78.7K 1%	52-0071	78.7 KOhm Resistor 1% 1/4 Watt Metal Film
3	RA3,RA10,RA20	121K 1%	52-0297	121 KOhm Resistor 1% 1/4 Watt Metal Film
3	RA4,RA12,RA22	39.2K 1%	52-0079	39.2 KOhm Resistor 1% 1/4 Watt Metal Film
3	RA5,RA13,RA23	61.9K 1%	52-0072	61.9 KOhm Resistor 1% 1/4 Watt Metal Film
3	RA6,RA15,RA25	30.1K 1%	52-0083	30.1 KOhm Resistor 1% 1/4 Watt Metal Film
3	RA7,RA16,RA26	48.7K 1%	52-0076	48.7 KOhm Resistor 1% 1/4 Watt Metal Film
3	RA8,RA18,RA28	15.4K 1%	52-0096	15.4 KOhm Resistor 1% 1/4 Watt Metal Film
3	RA9,RA19,RA29	24.3K 1%	52-0086	24.3 KOhm Resistor 1% 1/4 Watt Metal Film
3	RA11,RA21,RA31	19.6K 1%	52-0092	19.6 KOhm Resistor 1% 1/4 Watt Metal Film
1	RA30	12.1K 1%	52-0103	12.1 KOhm Resistor 1% 1/4 Watt Metal Film
3	RB1,RB14,RB24	23.2K 1%	52-0087	23.2 KOhm Resistor 1% 1/4 Watt Metal Film
3	RB2,RB17,RB27	18.2K 1%	52-0093	18.2 KOhm Resistor 1% 1/4 Watt Metal Film
3	RB3,RB10,RB20	28.7K 1%	52-0084	28.7 KOhm Resistor 1% 1/4 Watt Metal Film
3	RB4,RB12,RB22	9.09K 1%	52-0109	9.09 KOhm Resistor 1% 1/4 Watt Metal Film
3	RB5,RB13,RB23	14.3K 1%	52-0099	14.3 KOhm Resistor 1% 1/4 Watt Metal Film
3	RB6,RB15,RB25	7.15K 1%	52-0113	7.15 KOhm Resistor 1% 1/4 Watt Metal Film
3	RB7,RB16,RB26	11.5K 1%	52-0104	11.5 KOhm Resistor 1% 1/4 Watt Metal Film
3	RB8,RB18,RB28	3.65K 1%	52-0122	3.65 KOhm Resistor 1% 1/4 Watt Metal Film
3	RB9,RB19,RB29	5.76K 1%	52-0116	5.76 KOhm Resistor 1% 1/4 Watt Metal Film
3	RB11,RB21,RB31	4.64K 1%	52-0118	4.64 KOhm Resistor 1% 1/4 Watt Metal Film
1	RB30	2.87K 1%	52-0126	2.87 KOhm Resistor 1% 1/4 Watt Metal Film
3	RC1,RC14,RC24	13.0K 1%	52-0101	13.0 KOhm Resistor 1% 1/4 Watt Metal Film
3	RC2,RC17,RC27	10.2K 1%	52-0106	10.2 KOhm Resistor 1% 1/4 Watt Metal Film
3	RC3,RC10,RC20	16.2K 1%	52-0095	16.2 KOhm Resistor 1% 1/4 Watt Metal Film
3	RC4,RC12,RC22	5.11K 1%	52-0117	5.11 KOhm Resistor 1% 1/4 Watt Metal Film

053238a1

3	RC5,RC13,RC23	8.06K 1%	52-0111	8.06 KOhm Resistor	1%	1/4 Watt Metal Film
3	RC6,RC15,RC25	4.02K 1%	52-0121	4.02 KOhm Resistor	1%	1/4 Watt Metal Film
3	RC7,RC16,RC26	6.49K 1%	52-0114	6.49 KOhm Resistor	1%	1/4 Watt Metal Film
3	RC8,RC18,RC28	2.05K 1%	52-0129	2.05 KOhm Resistor	1%	1/4 Watt Metal Film
3	RC9,RC19,RC29	3.24K 1%	52-0124	3.24 KOhm Resistor	1%	1/4 Watt Metal Film

DOD Software

Page

dbx 3231L CH1 MAIN BOARD 80-3238
053238A1.000

Revised: March 15, 1995

Revision: A1

Bill Of Materials

March 15, 1995

9:23:37

Quan Reference

Part

SYMAN

Description

3	RC11,RC21,RC31	2.61K 1%	52-0127	2.61 KOhm Resistor	1%	1/4 Watt Metal Film
1	RC30	1.62K 1%	52-0131	1.62 KOhm Resistor	1%	1/4 Watt Metal Film
64	RD1,RE1,RD2,RE2,RD3,RE3, RD4,RE4,RD5,RE5,RD6,RE6, RD7,RE7,RD8,RE8,RD9,RE9, RD10,RE10,RD11,RE11,RD12, RE12,RD13,RE13,RD14,RE14, RD15,RE15,RD16,RE16,RD17, RE17,RD18,RE18,RD19,RE19, RD20,RE20,RD21,RE21,RD22, RE22,RD23,RE23,RD24,RE24, RD25,RE25,RD26,RE26,RD27, RE27,RD28,RE28,RD29,RE29, RD30,RE30,RD31,RE31,R36, R37	10.0K 1%	52-0107	10.0 KOhm Resistor	1%	1/4 Watt Metal Film
2	S4,S5	DIP8S	70-3020	8 Pin Dip Socket		
2	SR1,SR2	SR280058	28-0058	Screw, 6-32 x 3/8", Pozi-pan, Black		
2	SR3,SR4	SR280059	28-0059	Screw, 6-32 x 1/4", Pozi-pan, Black		
1	SW1	SW440131	44-0131	4PDT Slide Switch, 2MM Actuator, RA		
17	U1,U2,U3,U6,U7,U8,U9,U10, U11,U12,U13,U14,U17,U18, U19,U21,U22	MC33078	72-4248	Dual OP-AMP		
1	U4	SSM2141	72-4256	SSM2141P Differential Line Receiver		
1	U5	SSM2142	72-4252	Balanced Line Driver		
1	U23	7915	70-4124	7915 -15 Volt 1 A Voltage Regulator	TO-220	
1	U24	7815	70-4123	7815 +15 Volt 1 A Voltage Regulator	TO-220	
2	WA1,WA4	WA283449	28-3449	Washer, Ground, Int tooth, for Cliff S2 Jack		