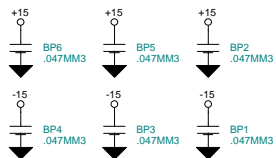
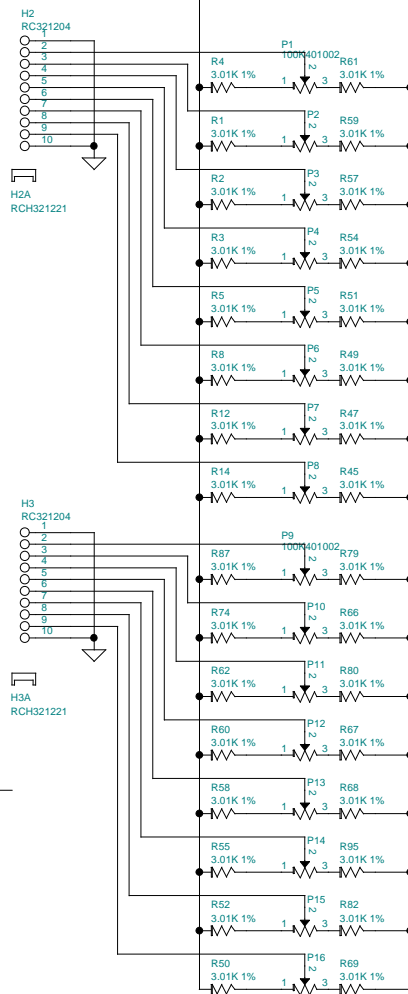
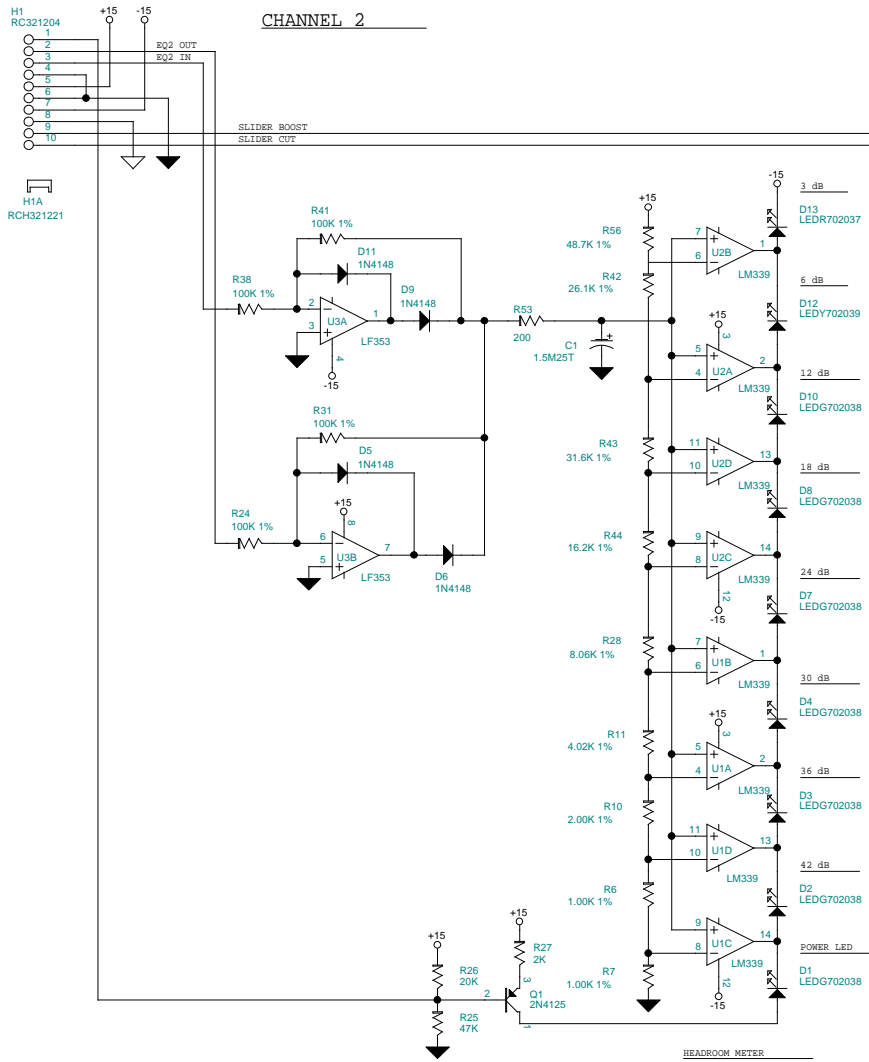


dbx Professional Products		
8760 South Sandy Parkway Sandy, Utah 84070		
Title dbx 3231L SLIDER BOARD 80-3236		
Size B	Document Number 053236A2.001	Rev A2
Date: Friday, October 15, 1999	Sheet 1 of 2	



dbx Professional Products		
8760 South Sandy Parkway Sandy, Utah 84070		
Title dbx 3231L SLIDER BOARD 80-3236		
Size B	Document Number 053236A2.002	Rev A2
Date: Friday, October 15, 1999	Sheet 2 of 2	

dbx 3231L SLIDER BOARD 80-3236 Revised: July 2, 1998

053236A2.000 Revision: A2

Bill Of Materials July 6, 1998 8:54:36

Quan Reference Part SYMAN Description

12	BP1,BP2,BP3,BP4,BP5,BP6, BP7,BP8,BP9,BP10,BP11, BP12	.047MM3	62-0067	0.047 uF Cap 50V 20%	Axial Monolithic
2	C1,C2	1.5M25T	62-0164	1.5 uF Cap 25V 20%	Tantalum T&R
14	D1,D2,D3,D4,D7,D8,D10, D14,D15,D16,D18,D20,D22, D23	LEDG702038	70-2038	LED Green, .450 Molded Spacer	
8	D5,D6,D9,D11,D17,D19,D21, D24	1N4148	70-0002	1N4148 Diode Silicon Switching,	75 Volts PIV
2	D12,D25	LEDY702039	70-2039	LED Yellow, .450 Molded Spacer	
2	D13,D26	LEDR702037	70-2037	LED Red, .450 Molded Spacer	
5	H1,H2,H3,H4,H5	RC321204	32-1204	10 Pin Ribbon Cable, 2mm	spacing, 5.00" Length
10	H1A,H2A,H3A,H4A,H5A,H6A, H7A,H8A,H9A,H10A	RCH321221	32-1221	10 Pin Ribbon Cable, Holder,	2mm spacing
5	H6,H7,H8,H9,H10	RC321203	32-1203	10 Pin Ribbon Cable, 2mm	spacing, 2.00" Length
62	P1,P2,P3,P4,P5,P6,P7,P8, P9,P10,P11,P12,P13,P14, P15,P16,P17,P18,P19,P20, P21,P22,P23,P24,P25,P26, P27,P28,P29,P30,P31,P32, P33,P34,P35,P36,P37,P38, P39,P40,P41,P42,P43,P44, P45,P46,P47,P48,P49,P50, P51,P52,P53,P54,P55,P56, P57,P58,P59,P60,P61,P62	100K401002	40-1002	100 K "W" 45mm, Sld Pot,	15mm Shaft, CD
1	PCB1	80-3236-A	80-3236-A	dbx 3231L SLIDER PCB RAW	
2	Q1,Q2	2N4125	70-1008	2N4125 PNP, Gen. Purp. Amplifier/Switching Xstr	
124	R1,R2,R3,R4,R5,R8,R9,R12, R13,R14,R15,R16,R17,R18, R19,R20,R21,R22,R23,R29, R30,R32,R33,R34,R35,R36, R37,R39,R40,R45,R46,R47, R48,R49,R50,R51,R52,R54, R55,R57,R58,R59,R60,R61, R62,R63,R64,R65,R66,R67, R68,R69,R70,R71,R72,R73, R74,R75,R76,R77,R78,R79, R80,R81,R82,R83,R84,R85, R86,R87,R88,R89,R90,R91, R92,R93,R94,R95,R96,R97, R98,R99,R100,R101,R102, R103,R104,R105,R106,R107, R110,R111,R114,R115,R116, R117,R118,R119,R120,R121, R123,R129,R130,R131,R132, R134,R135,R137,R138,R142, R143,R144,R145,R146,R147, R148,R149,R151,R152,R154, R155,R156,R157,R158	3.01K 1%	52-0125	3.01 KOhm Resistor 1% 1/4 Watt Metal Film	

053236a2

4	R6,R7,R108,R109	1.00K 1%	52-0133	1.00 KOhm Resistor	1%	1/4	Watt Metal Film
2	R10,R112	2.00K 1%	52-0186	2.00 KOhm Resistor	1%	1/4	Watt Metal Film
2	R11,R113	4.02K 1%	52-0121	4.02 KOhm Resistor	1%	1/4	Watt Metal Film

DOD Software

dbx 3231L SLIDER BOARD 80-3236

Revised: July 2, 1998

Page

053236A2.000

Revision: A2

Bill Of Materials

July 6, 1998 8:54:36

Quan Reference

Part SYMAN

Description

---

8	R24,R31,R38,R41,R122, R124,R133,R136	100K 1%	52-0305	100 KOhm Resistor	1%	1/4	Watt Metal Film
2	R25,R125	47K	50-0030	47 KOhm Resistor	5%	1/4	Watt Carbon Film
2	R26,R126	20K	50-0023	20 KOhm Resistor	5%	1/4	Watt Carbon Film
2	R27,R127	2K	50-0013	2 KOhm Resistor	5%	1/4	Watt Carbon Film
2	R28,R128	8.06K 1%	52-0111	8.06 KOhm Resistor	1%	1/4	Watt Metal Film
2	R42,R139	26.1K 1%	52-0037	26.1 KOhm Resistor	1%	1/4	Watt Metal Film
2	R43,R140	31.6K 1%	52-0077	31.6 KOhm Resistor	1%	1/4	Watt Metal Film
2	R44,R141	16.2K 1%	52-0095	16.2 KOhm Resistor	1%	1/4	Watt Metal Film
2	R53,R150	200	50-0004	200 Ohm Resistor	5%	1/4	Watt Carbon Film
2	R56,R153	48.7K 1%	52-0076	48.7 KOhm Resistor	1%	1/4	Watt Metal Film
4	U1,U2,U4,U5	LM339	72-4053	Quad Comparator			
2	U3,U6	LF353	72-4030	LF353 Wide Bandwidth Dual JFET Input Op-Amp			