

8

7

6

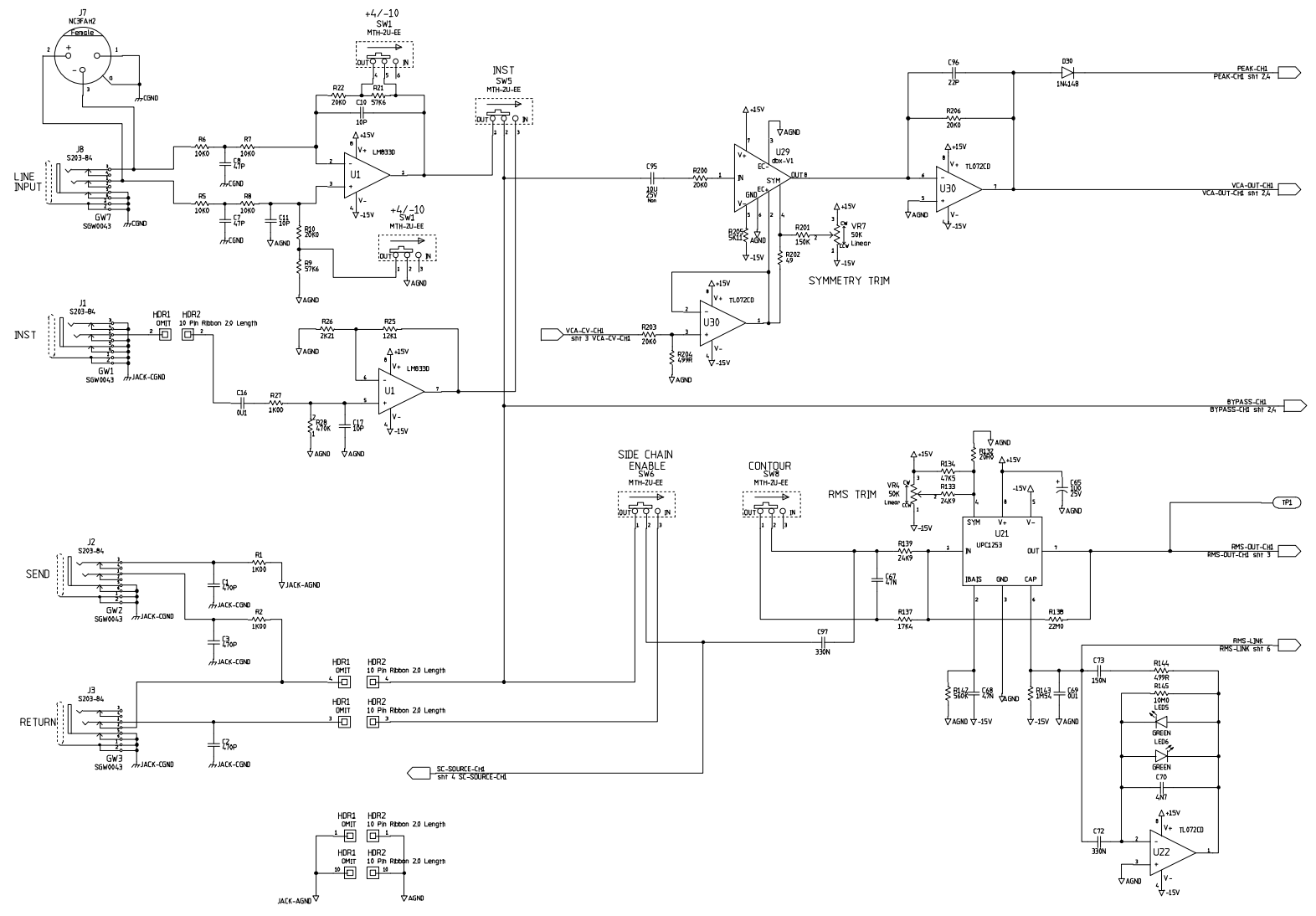
5

4

3

1

REVISIONS			
REV	DESCRIPTION	DATE	APPROVED



IVL Technologies Ltd.

dbx 566 Vacuum Tube Compressor
Line Input Channel #1

SIZE	DWG. NO.	MAJ.	MIN.	VAR.
D	284-50	D	01	01
SCALE: NTS	DRAWN:	8/26/99	8/27/99	SHEET: 01

8

7

6

5

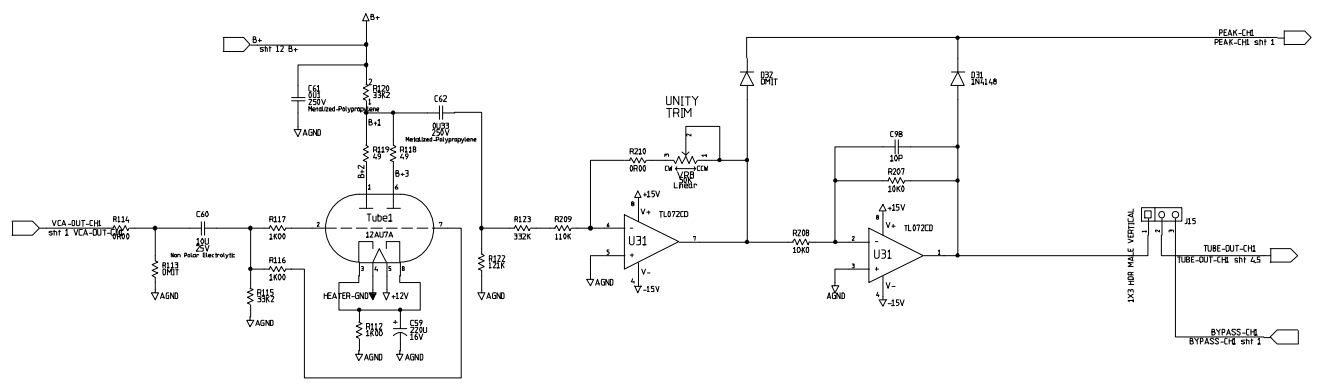
4

3

2

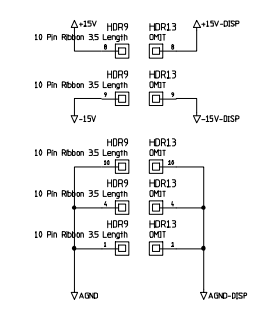
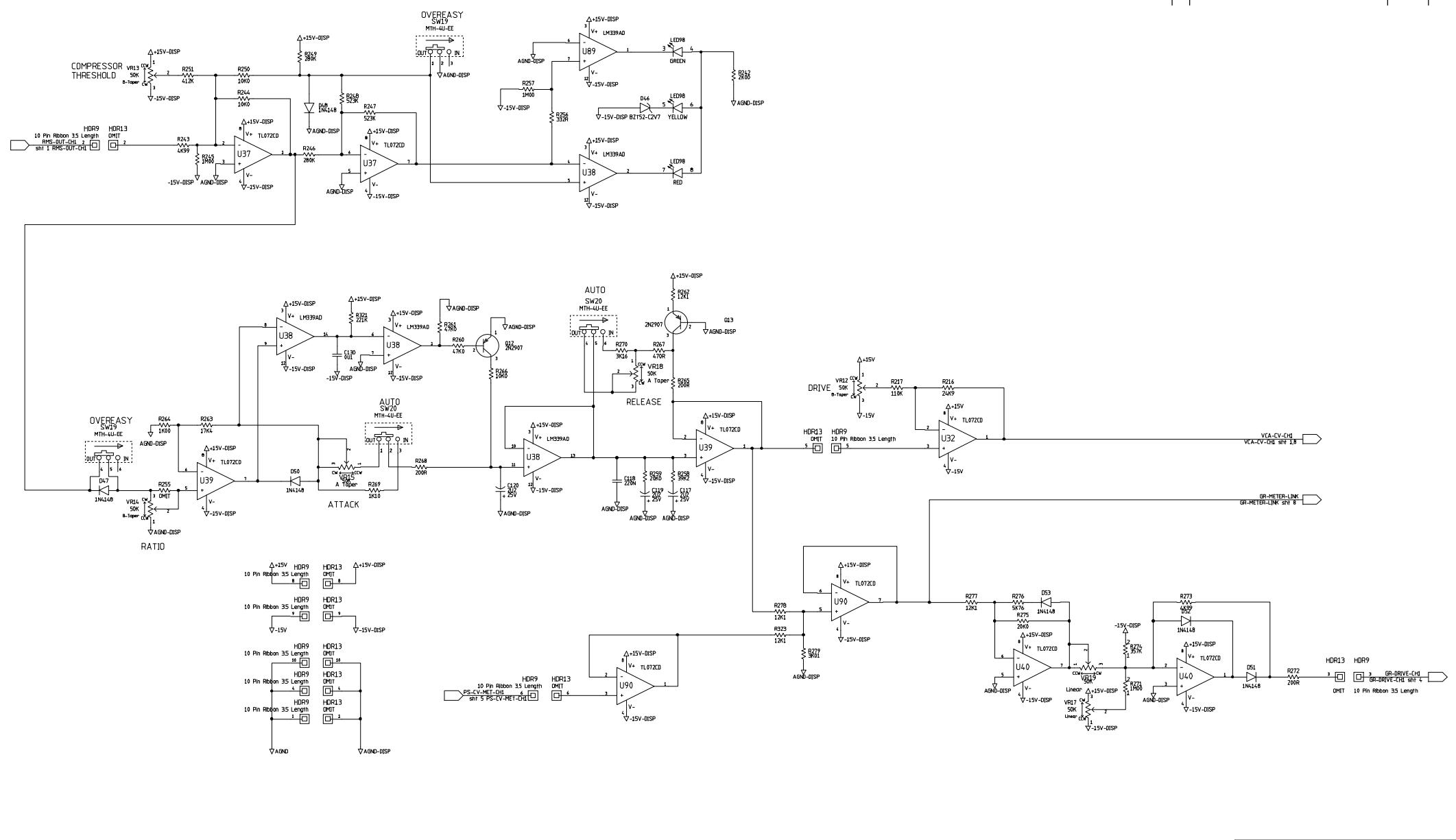
1

REVISIONS			
REV	DESCRIPTION	DATE	APPROVED



IVL Technologies Ltd.					
dbx 566 Vacuum Tube Compressor					
Tube Channel #1					
SIZE	DWG. NO.	MAJ.	MIN.	VAR.	
D	284-50	D	01	01	
SCALE: NTS	DRAWN:	BY: KCS	DATE: 06/18/99	SHEET: 02	

REVISIONS			
REV	DESCRIPTION	DATE	APPROVED

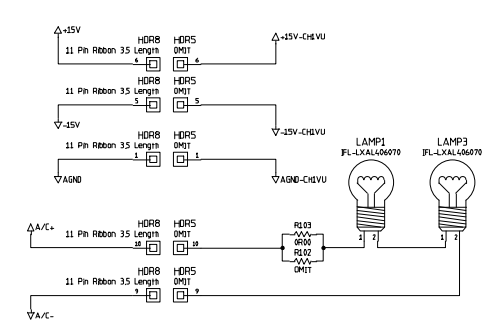
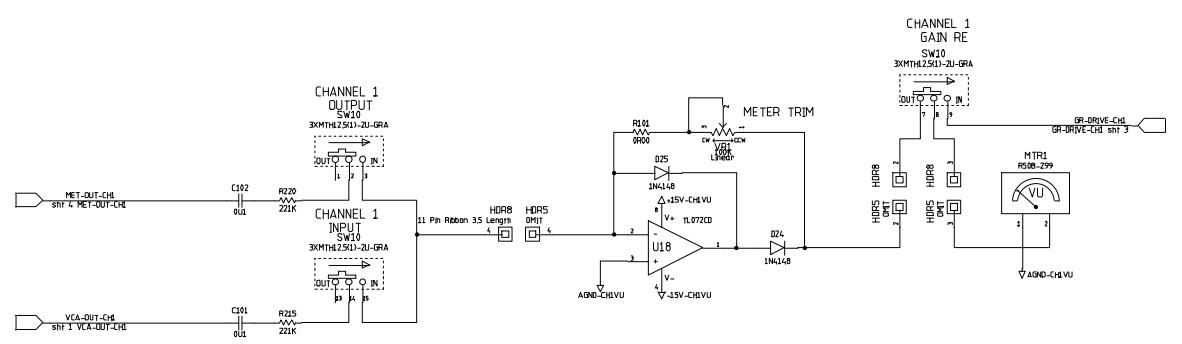
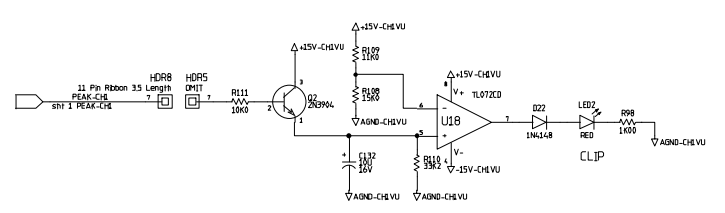
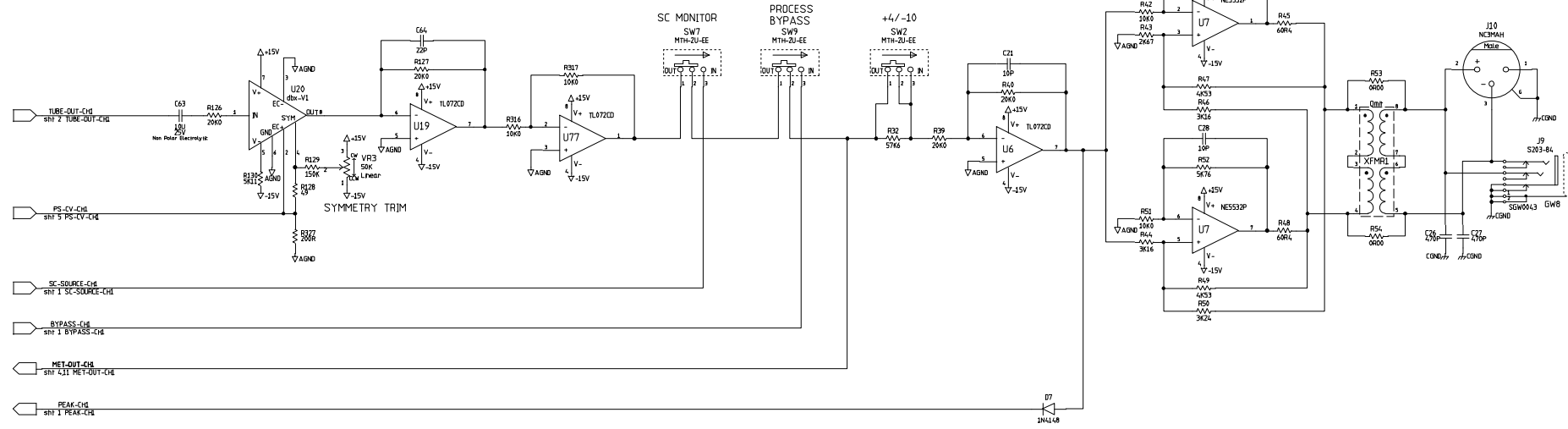


IVL Technologies Ltd.

dbx 566 Vacuum Tube Compressor
Compressor Channel #1

SIZE	DWG. NO.	MAJ	MIN	VAR
D	284-50	D	01	01
SCALE: NTS	DRAWN:	8/30/99	8/28/99	SHEET: 03

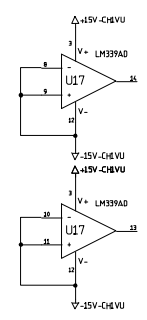
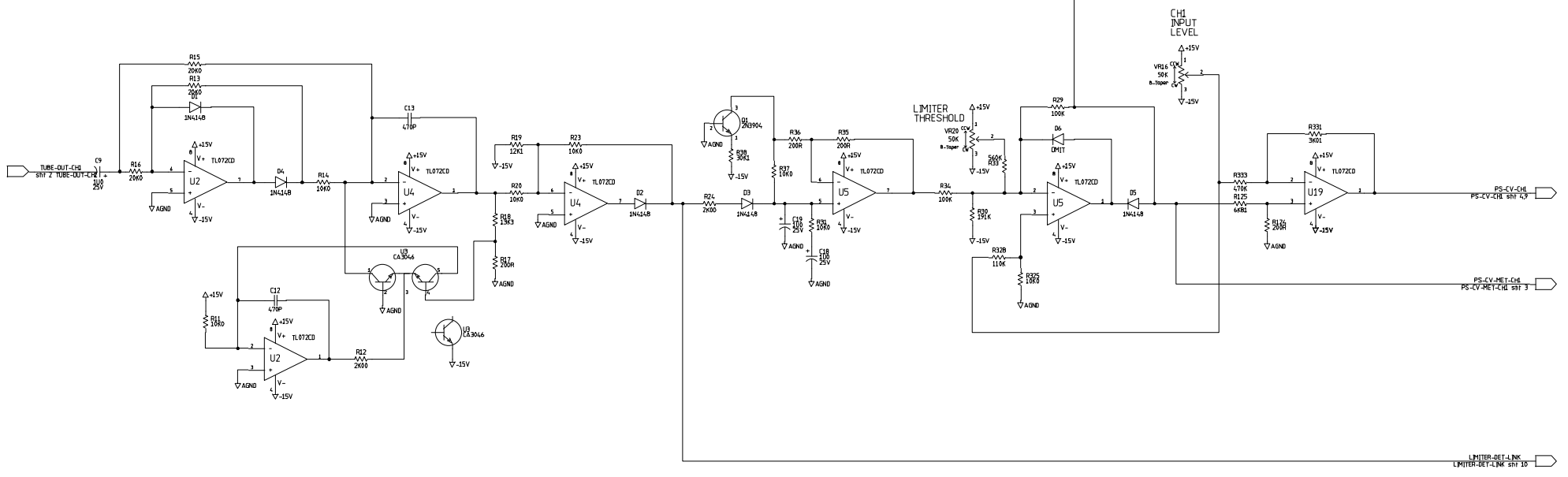
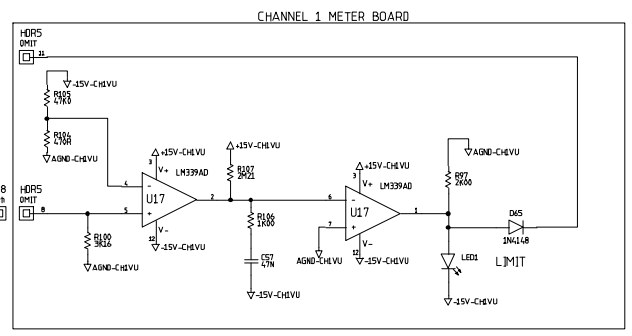
REVISIONS			
REV	DESCRIPTION	DATE	APPROVED



IVL Technologies Ltd.					
dbx 566 Vacuum Tube Compressor					
Meter / Output Channel #1					
SIZE	DWG. NO.	MAJ.	MIN.	VAR.	
D	284-50	D	01	01	
SCALE:	NTS	DRAWN:	8/26/99	SHEETS:	04

8 7 6 5 4 3 1

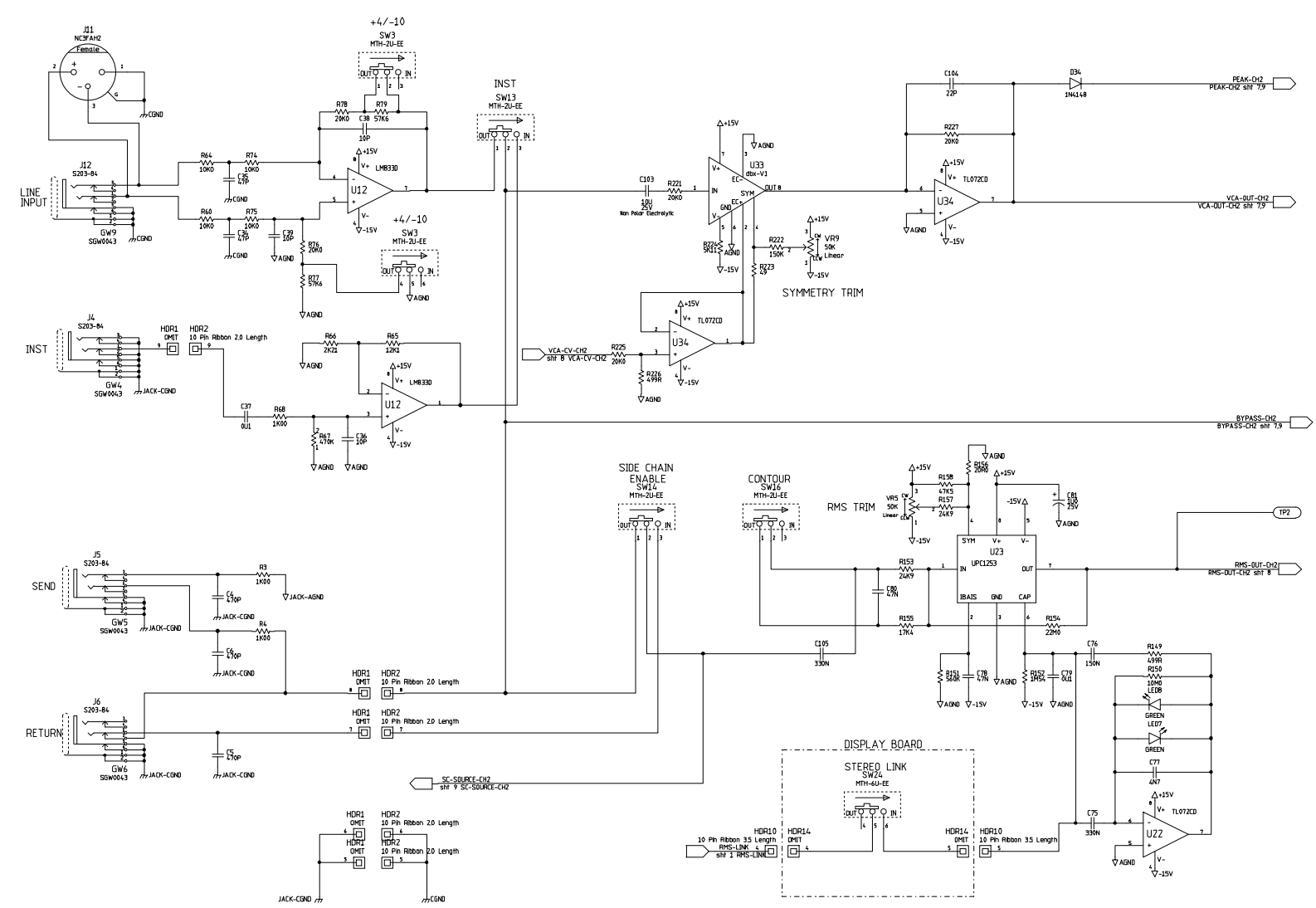
REVISIONS			
REV	DESCRIPTION	DATE	APPROVED



IVL Technologies Ltd.					
dbx 566 Vacuum Tube Compressor					
Limiter Channel #1					
SIZE	DWG. NO.	MAJ.	MIN.	VAR.	
D	284-50	D	01	01	
SCALE: NTS	DRAWN:	8/23/99	8/27/99	SHEET: 05	

8 7 6 5 4 3 2 1

REVISIONS			
REV	DESCRIPTION	DATE	APPROVED



IVL Technologies Ltd.			
dbx 566 Vacuum Tube Compressor Line Input Channel #2			
SIZE	DWG. NO.	MAJ	MIN. VAR.
D	284-50	D	01 01
SCALE: NTS	DRAWN:	8/30/99	SHEET: 06

8

7

6

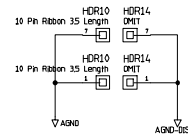
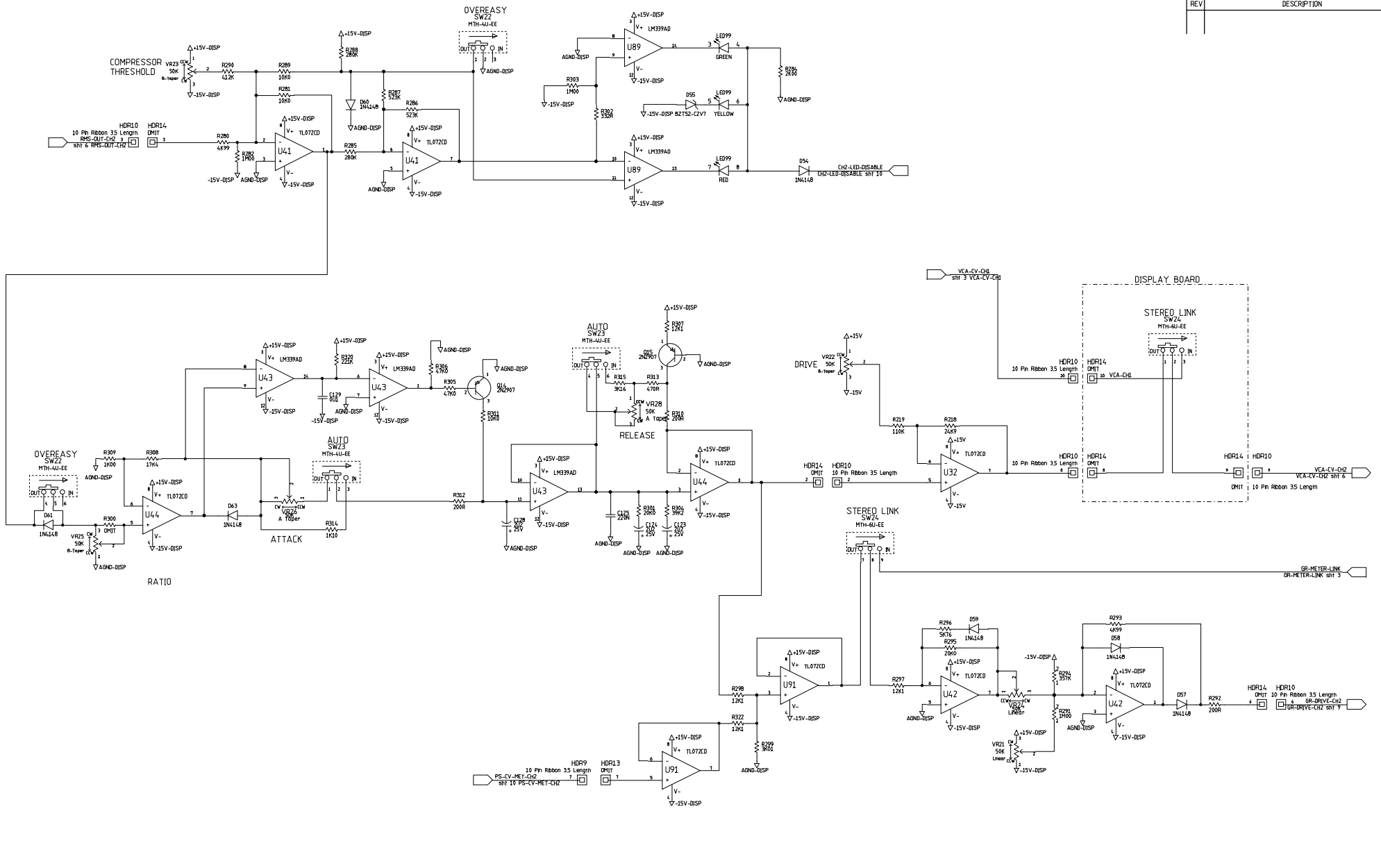
5

4

3

1

REVISIONS			
REV	DESCRIPTION	DATE	APPROVED



IVL Technologies Ltd.

dbx 566 Vacuum Tube Compressor
Compressor Channel #2

SIZE	DWG. NO.	MAJ	MIN	VAR.
D	264-50	D	01	01

SCALE: NTS DRAWN: 8/30/99 SHEET: 08

8

7

6

5

4

3

2

1

8

7

6

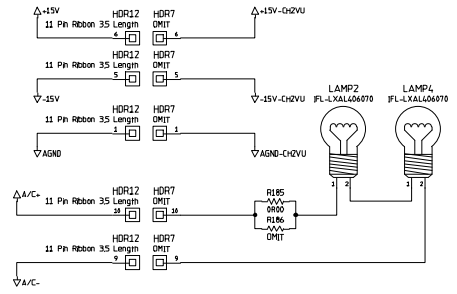
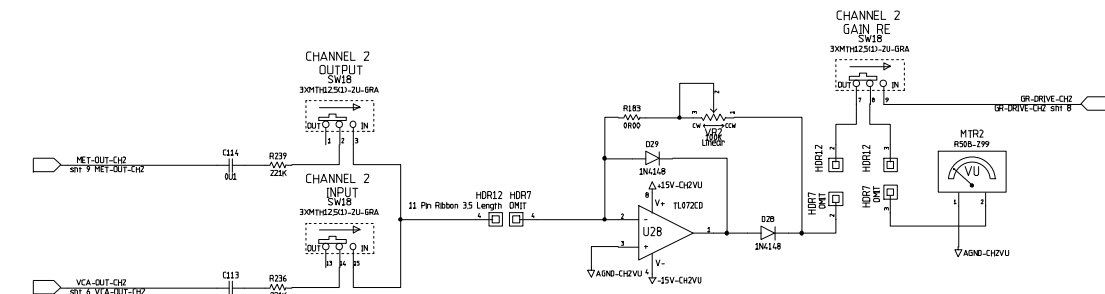
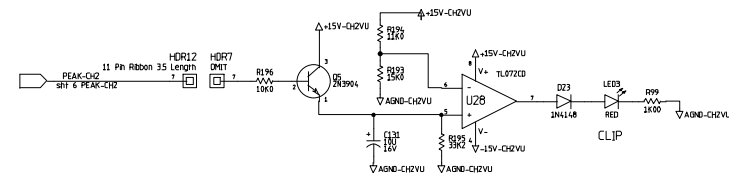
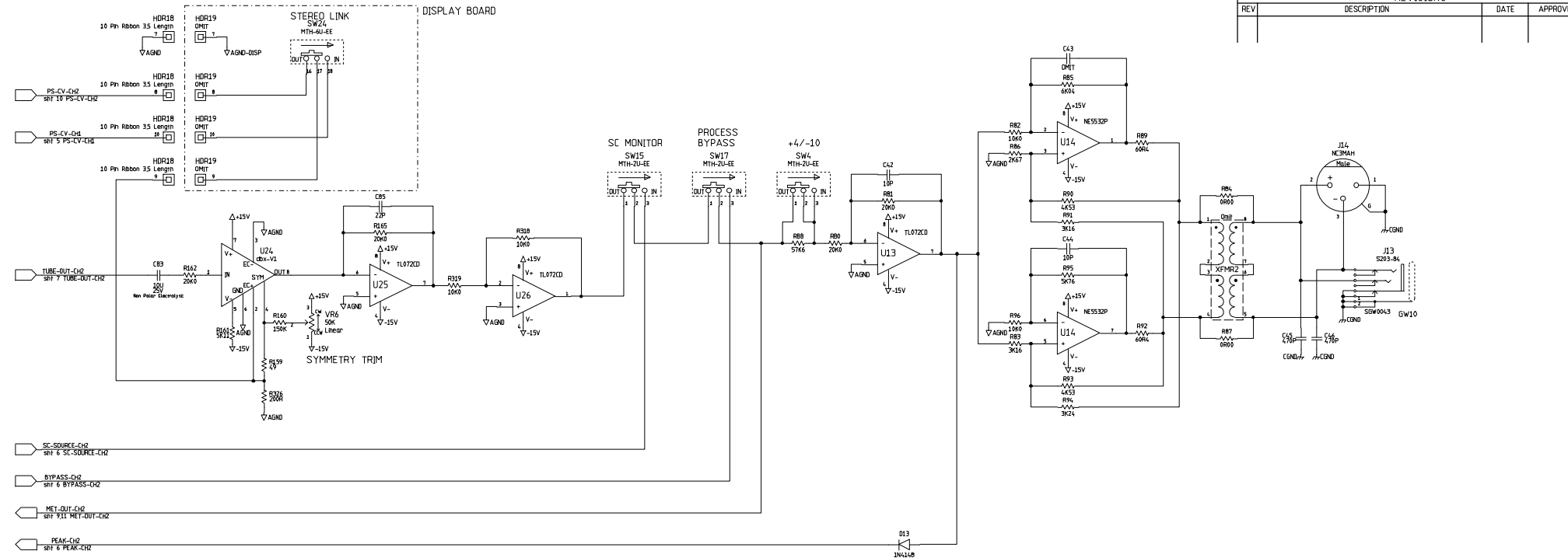
5

4

3

1

REVISIONS			
REV	DESCRIPTION	DATE	APPROVED



IVL Technologies Ltd.

dbx 566 Vacuum Tube Compressor
Meter / Output Channel #2

SIZE	DWG. NO.	MAJ.	MIN.	VAR.
D	284-50	D	01	01
SCALE: NTS	DRAWN:	8/3/99	8/28/99	SHEET: 09

8

7

6

5

4

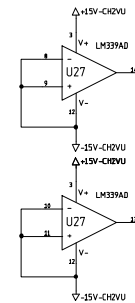
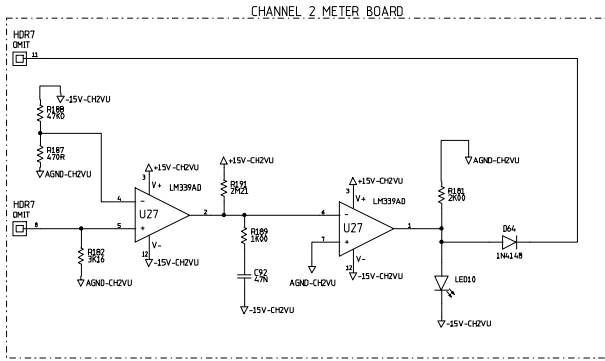
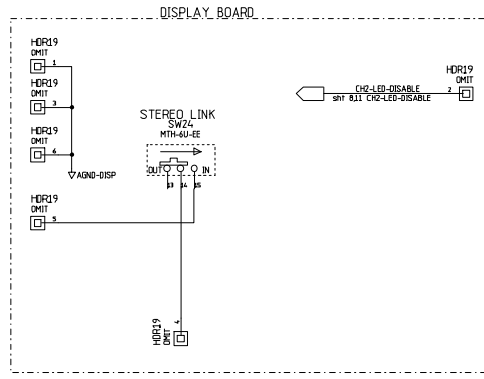
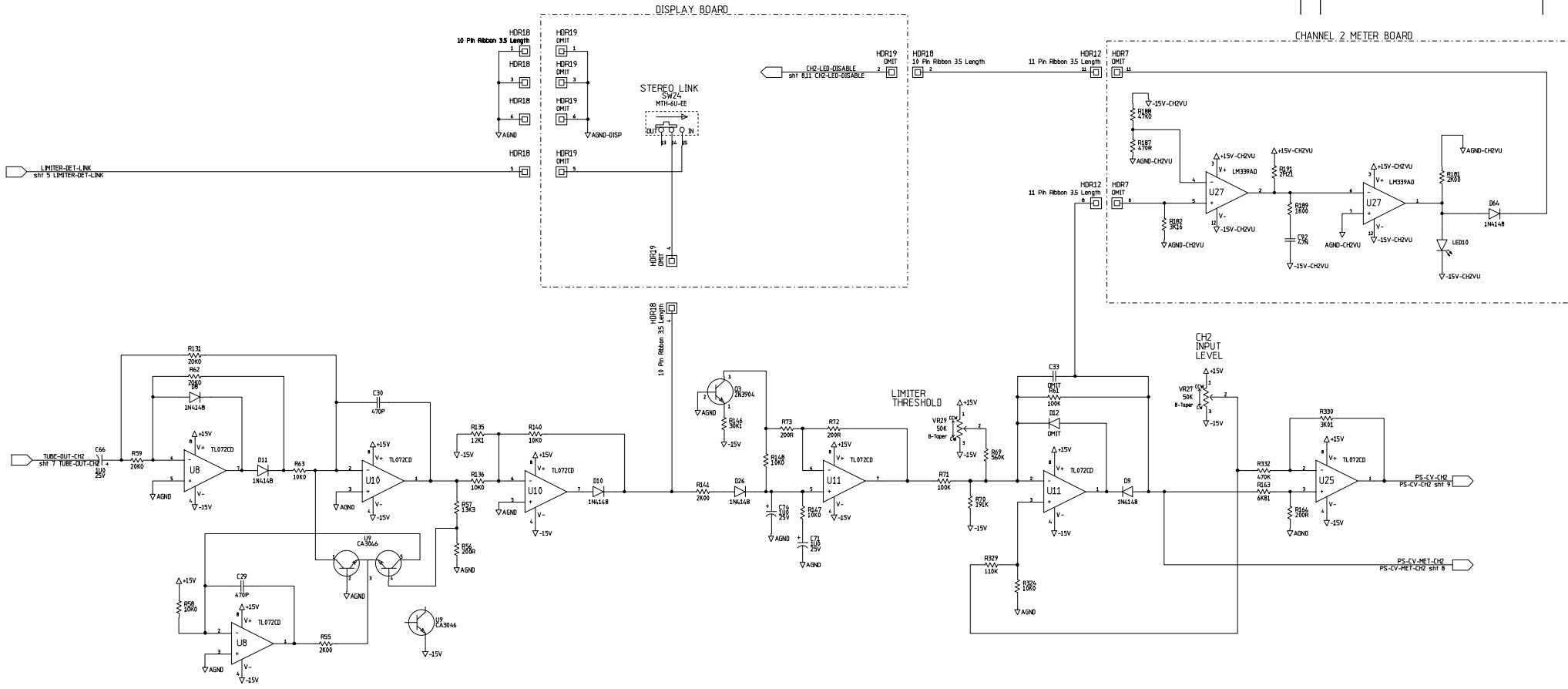
3

2

1

REVISIONS

REV	DESCRIPTION	DATE	APPROVED

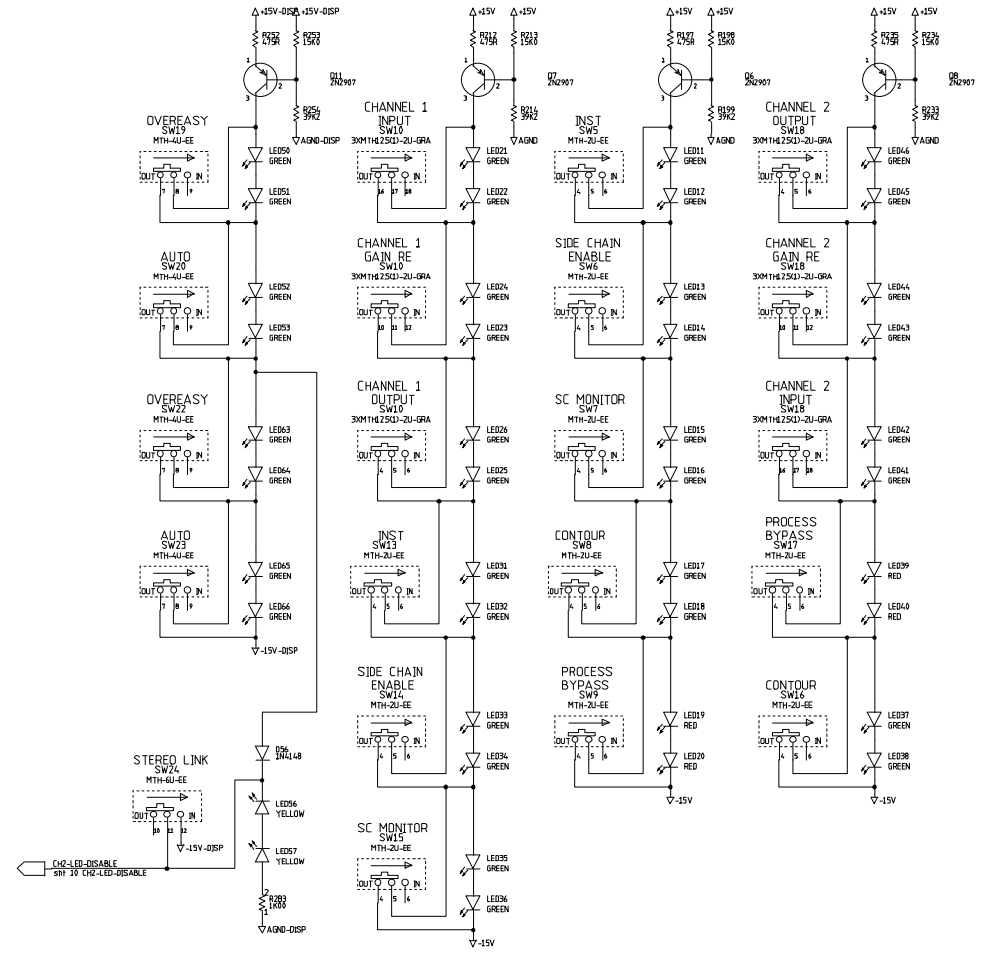
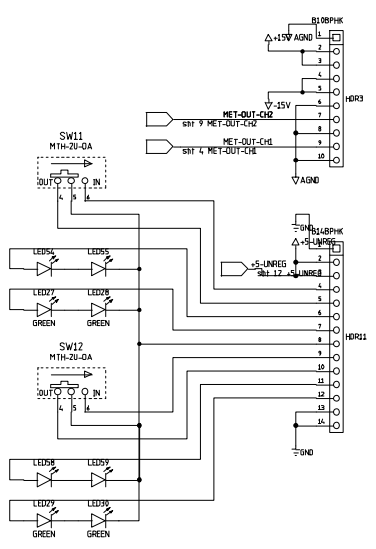
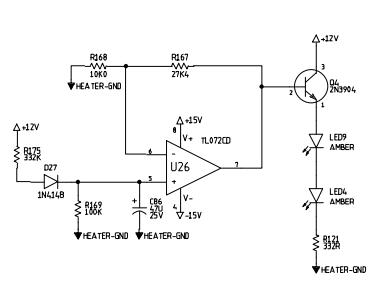


IVL Technologies Ltd.

dbx 566 Vacuum Tube Compressor
Limiter Channel #2

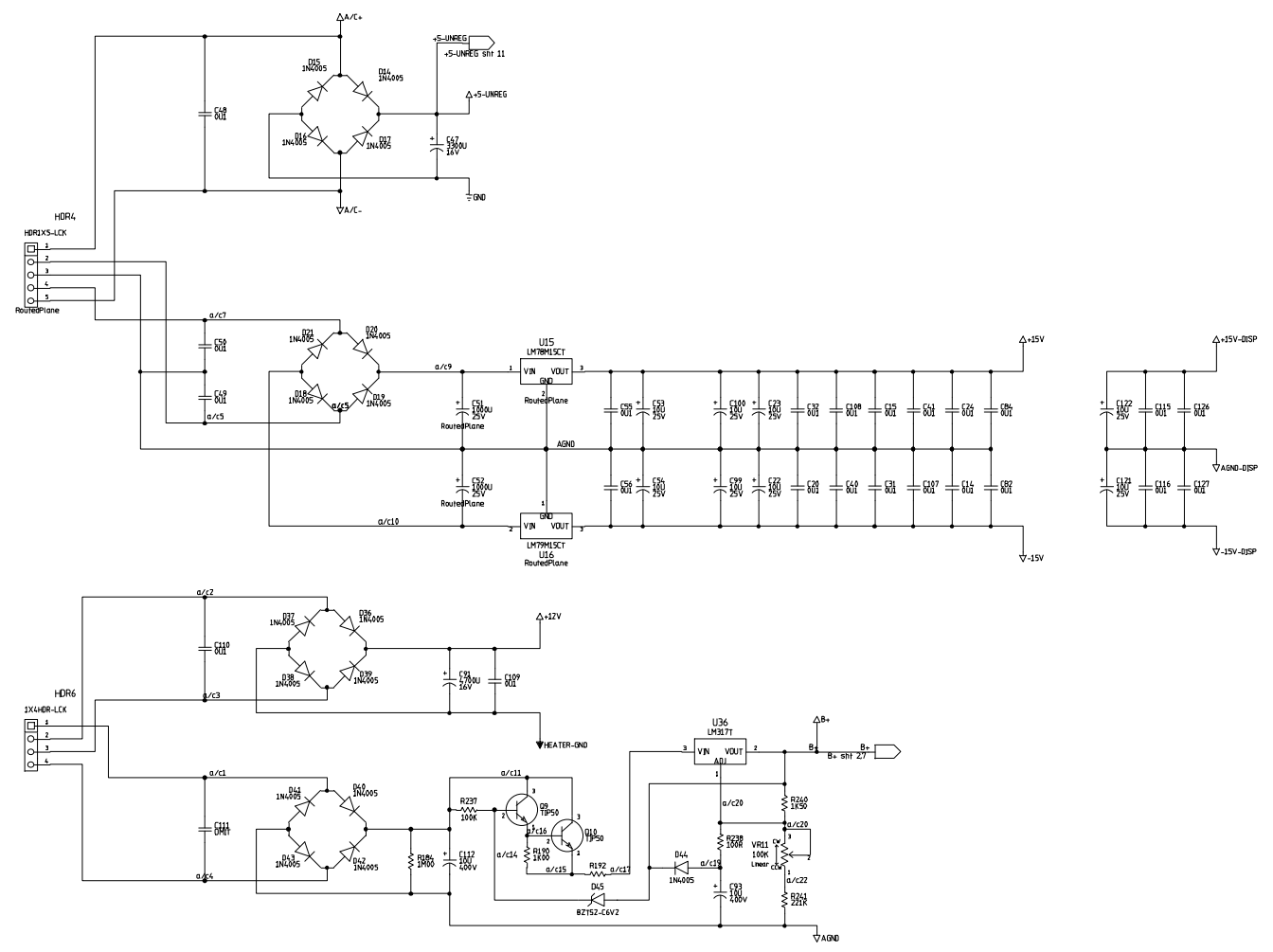
SIZE	DWG. NO.	MAJ.	MIN.	VAR.
D	264-50	D	01	01
SCALE: NTS	DRAWN:	8/26/99	SHEET: 10	

REVISIONS			
REV	DESCRIPTION	DATE	APPROVED



IVL Technologies Ltd.					
dbx 566 Vacuum Tube Compressor					
Display and Digital Out Option Interface					
SIZE	DWG. NO.	MAJ.	MIN.	VAR.	OR.
D	284-50	D	01	01	
SCALE: NTS	DRAWN:	8/2/99		SHEET 11	

REVISIONS			
REV	DESCRIPTION	DATE	APPROVED



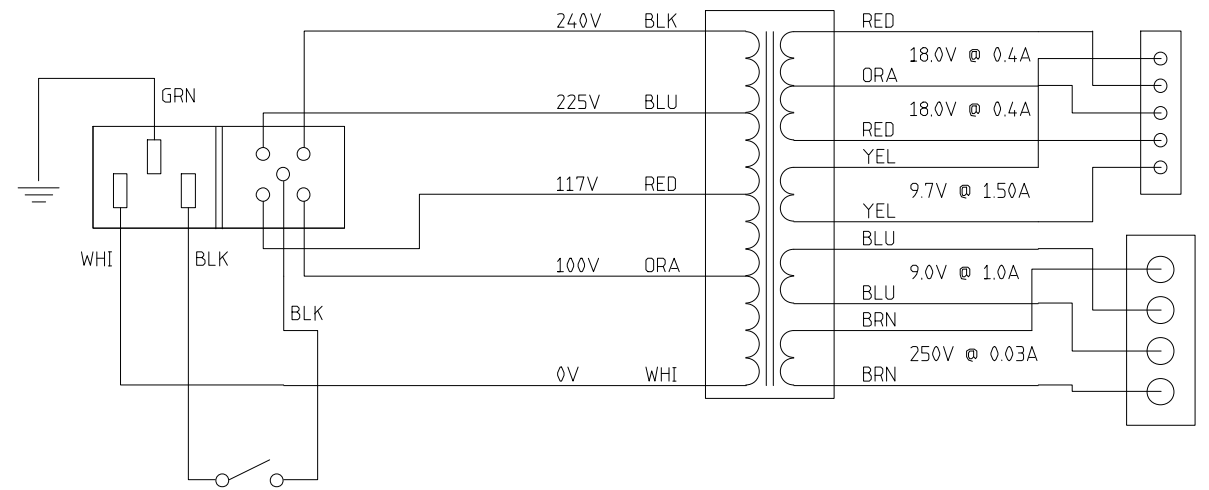
IVL Technologies Ltd.

dbx 566 Vacuum Tube Compressor
Power Supply

SIZE	DWG. NO.	MAJ	MIN	VAR.
D	264-50	D	01	01

SCALE: NTS DRAWN: 8/28/99 SHEET: 12

REVISIONS			
REV	DESCRIPTION	DATE	APPROVED



POWER SWITCH

100\117 VOLTS A\C INPUT FUSE = 500mA SLOW BLOW
 225\240 VOLTS A\C INPUT FUSE = T250mA

IVL Technologies Ltd.					
dbx 566 Vacuum Tube Dual Compressor					
POWER WIRING DWG					
SIZE	DWG. NO.	MAJ.	MIN.	VAR.	
D	264-50	D	01	01	
SCALE: NTS	DRAWN:	8/21/99	SHEET= 13		

Part #	Part Description	dbx Part #	Qty.	Level	Ref Des	Preferred Vendor	Manufacturer	Manu. Part #	Dwg. or spec
ACT0059	DBX LIGHT PIPE BUTTON	34-0200-B	23.00	04		JETCROWN INDUSTRIAL LTD	JETCROWN	34-0200-B	YES
ACT0060	SMALL SWITCH CAPS DBX	34-0125	4.00	04		DBX PROFESSIONAL PRODUCTS	SELCO	PB04/51/00	
ACT0067	DBX 500 SERIES KNOB	34-0168-A	14.00	04		TAIWAN KNOBS	TAIWAN KNOBS	34-0168-A	YES
BAG0001	2X3 INCH POLY WITH ZIPLOCK	use 3x5	1.00	01		VANISLE PACKAGING INC.			
BAG0012	15X24 2-MIL POLY BAG	22-0034	1.00	01		CHISWICK			
BOX0024	DBX 586 UNIT CARTON	20-6330	1.00	01		BC SHIPPER SUPPLIES LTD.	BC SHIPPER SUPPLIES LTD.	254-27-B	YES
CPS0001	0U1 50V 10% C0805 MONO CER	62-3139	33.00	13	C101 C102 C107 C108 C109 C110 C113 C114 C115 C116 C126 C127 C129 C130 C14 C15 C16 C20 C24 C31 C32 C37 C40 C41 C48 C49 C50 C55 C56 C69 C79 C82 C84	S-P INTERNATIONAL LTD.	KEMET	C0805C104K5RAC	
CPS0004	22P 50V 10% C0805 MONO CER	62-3134	4.00	13	C104 C64 C85 C96	S-P INTERNATIONAL LTD.	SANYO-CAP	U0805C220KNT	
CPS0023	150N 1206	62-3208	2.00	13	C73 C76	S-P INTERNATIONAL LTD.	SANYO-CAP	U1206F154MNT	
CPS0024	220N 1206	62-3209	2.00	13	C118 C125	ELECTROSONIC INC.	KEMET	C1206C224M5RAC-TR	
CPS0032	10P 50V 10% C0805 MONO CER	62-3140	12.00	13	C10 C106 C11 C17 C21 C28 C36 C38 C39 C42 C44 C98	S-P INTERNATIONAL LTD.	SANYO-CAP	U0805C100KNT	
CPS0033	470P 50V 10% C0805 MONO CER	62-3133	14.00	13	C1 C12 C13 C2 C26 C27 C29 C3 C30 C4 C45 C46 C5 C6	S-P INTERNATIONAL LTD.	SANYO-CAP	U0805C471KNT	
CPS0034	47N 50V 10% C0805 MONO CER	62-3144	6.00	13	C57 C67 C68 C78 C80 C92	S-P INTERNATIONAL LTD.	SANYO-CAP	U0805R473KNT	
CPS0035	47P 50V 10% C0805 MONO CER	62-3132	4.00	13	C34 C35 C7 C8	S-P INTERNATIONAL LTD.	SANYO-CAP	U0805C470KNT	
CPS0036	4N7 50V 10% C0805 MONO CER	62-3205	2.00	13	C70 C77	S-P INTERNATIONAL LTD.	SANYO-CAP	U0805R472KNT	
CPS0040	330N 1206	62-3210	4.00	13	C105 C72 C75 C97	S-P INTERNATIONAL LTD.	SANYO-CAP	U1206F334MNT	
CPT0002	BIPOLAR 10 uF 25V ±20% ELEC RADIAL	60-1043	6.00	12	C103 C60 C63 C83 C87 C95	S-P INTERNATIONAL LTD.	PAN OVERSEAS	33SNR10UF25V	
CPT0028	220 uF 25V ±20% ELEC RADIAL (8x12)	60-0075	2.00	12	C59 C88	S-P INTERNATIONAL LTD.	PAN OVERSEAS	SKR220UF16V	
CPT0029	10 UF 16V 4mm X 5mm	60-0049-01	2.00	12	C131 C132	S-P INTERNATIONAL LTD.	PAN OVERSEAS		
CPT0033	10 uF 25V ±20% ELEC RADIAL	60-0050-01	8.00	12	C100 C121 C122 C22 C23 C53 C54 C99	S-P INTERNATIONAL LTD.	PAN OVERSEAS	SKR10UF25V	
CPT0035	10UF 400V ±20% ELEC RADIAL 105 C	60-0081	2.00	05	C93 C112	S-P INTERNATIONAL LTD.	PAN OVERSEAS	HKR10UF400V	
CPT0036	1000 uF 25V ±20% ELEC RADIAL	60-0070	2.00	05	C51 C52	S-P INTERNATIONAL LTD.	PAN OVERSEAS	SKR1000UF25V	
CPT0037	1.0 uF 25V ±20% ELEC RADIAL	60-0044-01	8.00	12	C18 C19 C65 C66 C71 C74 C81 C9	S-P INTERNATIONAL LTD.	PAN OVERSEAS	SKR1UF50V	
CPT0038	2.2UF 25V ±20% 5mm	60-0400	6.00	12	C117 C119 C120 C123 C124C128	S-P INTERNATIONAL LTD.	PAN OVERSEAS	SKR2.2UF25V	
CPT0039	3300 uF 25V ±20% ELEC RADIAL	60-0087	1.00	05	C47	S-P INTERNATIONAL LTD.	PAN OVERSEAS	SKR3300UF16V	
CPT0040	4700 uF 16V +/-20% ELEC RADIAL	60-0062	1.00	05	C91	S-P INTERNATIONAL LTD.	PAN OVERSEAS	SKR4700UF16V	
CPT0042	0.1UF 250V 10mm LEAD SPACING	62-3201	2.00	05	C62 C90	SHANNON ELECTRONICS	ILLINOIS CAPACITOR	104MPR250K	
CPT0043	0.33UF 250V MYLAR POLY RADIAL	62-3200	2.00	05	C61 C89	SHANNON ELECTRONICS	ILLINOIS CAPACITOR	334MPR 250K	
CPT0073	47 uF 25VOLT 5mm POLAR CAP	60-0082	1.00	12	C86	S-P INTERNATIONAL LTD.	PAN OVERSEAS	SKR47UF25V	
DDS0001	SMD DIODE 1N4148 SOT23	70-0113	39.00	13	D1 D10 D11 D13 D2 D22 D23 D24 D25 D26 D27 D28 D29 D3 D30D31 D33 D34 D4 D47D48 D5 D50 D51 D52 D53 D54 D56 D57D58 D59 D60 D61 D63 D64 D65 D7 D8 D9	S-P INTERNATIONAL LTD.	MOTOROLA	1N4148SOT23	
DDS0003	POWER DIODE A SIZE SMT	70-3203	17.00	13	D14 D15 D16 D17 D18 D19 D20 D21 D36 D37 D38 D39 D40 D41 D42 D43 D44 D46 D55	ELECTROSONIC INC.	DIODES INC.	S1G	
DDS0004	BZT52-C2V7 2.5-2.9	70-0022	2.00	13	D55 D46	ELECTROSONIC INC.	DIODES INC.	BZT52-C2V7	
DDS0005	BZT52-C6V2 5.8-6.6	70-0021	1.00	13	D45	ELECTROSONIC INC.	DIODES INC.	BZT52-C6V2	
FST0002	1/8 SOFT-SET POP RIVET ALUM	28-3417	2.00	04	No longer in use	LANCE BISSETT			
FST0003	FLAT TIE HOLDER: ADHESIVE BACK	28-1044	1.00	04		GOULD FASTENERS LIMITED	RICHCO	FTH-5A-RT (100)	YES
FST0004	3 1/2 TIE WRAP BLACK		2.00	04		ELECTROSONIC INC.	PANDUIT	PLT1M-M	
FUS0007	500 mA SLO BLOW FUSE FOR DOMESTIC USE	32-0025	1.00	04		ELECTROSONIC INC.	BUSSMAN	GMD-500MA	
HDT0011	10 PIN INSULATED MALE HEADER	32-1016	1.00	05	HDR3	BROCKTON ELECTRONICS LTD.	JST	B10B-PH-K	YES

HDT0018	1 X 4 HEADER 0.2 SPACING	32-1047	1.00	05	HDR6	PIONEER	MOLEX	10-32-1041	YES
HDT0042	5-PIN MALE LOCKING HEADER	32-1071	1.00	05	HDR4	FUTURE ELECTRONICS LTD.	MOLEX	22-27-2051	YES
HDT0047	14 PIN 2MM HEADER	32-1015	1.00	05	HDR11	MISCELLANEOUS VENDOR	JST	B14B-PH-K	YES
HDT0053	3 PIN STRAIGHT MALE HEADER 1X3	32-1069	2.00	05	J15 J16	PACIFIC COAST ELECTRONICS LTD.			
HRN0003	#6 RING YEL/GRN 1.9 WIRE	36-1140-A	1.00	04		HITECH	HITECH	008-03-B	YES
HRN0027	3" WIRE WITH CRIMP ON (V3)	36-1150	2.00	04		BROCKTON ELECTRONICS LTD.	BROCKTON	170.2431	YES
HRN0033	US/JA/THAI POWER CORD	36-0061	1.00	01		DBX PROFESSIONAL PRODUCTS	DBX	36-0061	YES
HRN0037	10 PIN RIBBON 3.5" 0.1 SPACING	32-3214	3.00	05	HDR9/HDR19 HDR18/HDR19 HDR10/HDR14				
HRN0038	10 PIN RIBBON 2" 0.1" SPACING	32-3215	1.00	05	HDR2/HDR1	ELECTRONIC COMPONENTS INT'L	ECI	254-31-A	YES
HRN0041	11 PIN RIBBON 3.5" 0.1" SPACING	32-3216	2.00	05	HDR8/ HRDR5 HDR12/HDR7	ELECTRONIC COMPONENTS INT'L	ECI	254-30-A	YES
ICS0033	LM339AD QUAD COMPARATOR	72-4034	5.00	13	U17 U27 U38 U43 U89	ARROW ELECTRONICS INC.	SGS	LM339D	
ICS0034	LM833 LOW NOISE OP-AMP SMD	72-3201	2.00	13	U1 U12	ARROW ELECTRONICS INC.	SGS	LM833D	
ICS0035	TL072 DUAL JFET OPAMP SMD (T.O.R.)	72-3200	28.00	13	U10 U11 U13 U18 U19 U2 U22 U25 U26 U28 U30 U31 U32 U34 U35 U37 U39U4 U40 U41 U42 U44 U5 U6 U77 U8 U90 U91	ARROW ELECTRONICS INC.	TEXAS INST.	TLO72CDR	
ICS0066	CA3046M TRANSISTOR ARRAY	72-4331	2.00	13	U3 U9	ARROW ELECTRONICS INC.	HARRIS	3046	
ICT0091	7815 +15V 3 TERM FIXED REGULATOR	70-4123	1.00	05	U15	ARROW ELECTRONICS INC.	SGS	L7815CV	
ICT0096	7915 -15V 3 TERM FIXED REGULATOR	70-4124	1.00	05	U16	ARROW ELECTRONICS INC.	SGS	L7915CV	
ICT0097	LM317 ADJUSTABLE REGULATOR	70-4007	1.00	05	U36	ARROW ELECTRONICS INC.	NATIONAL	LM317T	
ICT0125	DBX CUSTOM (THAT 2252)	72-4067	2.00	05	U21 U23	DBX PROFESSIONAL PRODUCTS	DBX	72-4067	
ICT0130	NE5532 OPAMP	72-4316	2.00	12	U14 U7	ELECTROSONIC INC.	NJR	NJM5532D	
ICT0131	DBX V1 CHIP	72-4062	4.00	05	U20 U24 U29 U33	DBX PROFESSIONAL PRODUCTS	DBX	72-4062	
JCK0025	NEUTRIK FEM HOR LCK SEP GND	32-0206	2.00	05	J11 J7	SF MARKETING	NEUTRIK	NC3FAH2	YES
JCK0028	NEUTRIK MALE HOR XLR	32-0204	2.00	05	J10 J14	SF MARKETING	NEUTRIK	NC3MAH	YES
JCK0030	DBX JACK	32-0119	10.00	05	J1 J12 J13 J2 J3 J4 J5 J6 J8 J9	SF MARKETING	REAN / NEUTRIK	NRJ 6HF	
LBL0017	SAFETY GROUND LABEL	30-0709	1.00			GM NAMEPLATE	GM NAMEPLATE	PLX-GND LABEL-B	YES
LDS0001	GREEN LED 603 SMT	70-3205	4.00	13	LED5 LED6 LED7 LED8	SEMAD	ROHM	SML-310MTT86	
LDS0002	RED LED 603 SMT	70-3204	4.00	13	LED54 LED55 LED58 LED59	SEMAD	ROHM	SML-310VTT86	
LDT0002	GREEN T1 PREPPED 6mm	70-2114	40.00	12	LED11 LED12 LED13 LED4 LED15 LED16 LED17 LED18 LED21 LED22 LED23 LED24 LED25 LED26 LED27 LED28 LED29 LED30 LED31 LED32 LED33 LED34 LED35 LED36 LED37 LED38 LED41 LED42 LED43 LED44 LED45 LED46 LED50 LED51 LED52 LED53 LED63 LED64 LED65 LED66	EMX ENTERPRISES LTD.	KINGBRIGHT	LA132XGD00	YES
LDT0003	RED T1 PREPPED 6mm	70-2113	4.00	12	LED1 LED2 LED3 LED10	EMX ENTERPRISES LTD.	KINGBRIGHT	LA132XID00	YES
LDT0004	YELLOW T1 PREPPED 6mm	70-2115	2.00	12	LED56 LED55	EMX ENTERPRISES LTD.	KINGBRIGHT	LA132XYD00	YES
LDT0006	RED T1 LED	70-2061	4.00	12	LED1 LED2 LED3 LED10	EMX ENTERPRISES LTD.	KINGBRIGHT	L132 XID	YES
LDT0009	AMBER T1 LED	70-3202	2.00	05	LED4 LED9	SEMAD	SHARP	GL3HY8	
LDT0010	QUAD VERT LED RD,YEL,GRN,BLNK	70-3206	2.00	05	LED98 LED99	EMX ENTERPRISES LTD.	KINGSBRIGHT	L96XDM/4	YES
LMP0002	1-1 1/4 6V AXIAL LAMP	28-3254	4.00	04	LAMP1 LAMP2 LAMP3 LAMP4	UTECH ELECTRONICS	LUMEX	IFL-LXAL406070	
MTL0048	CUSTOM TOP/HEATSINK	14-3201	1.00	05		TARA PRECISION TOOL	TARA PRECISION TOOL	011-13-B	YES
MTL0072E	DBX 1086 OPTION COVER REV E	10-1476	1.00	04		WESGAR INDUSTRIES	WESGAR INDUSTRIES	248-04-E	YES
MTL0086-C	DBX 500 SERIES CASE LID	14-6333	1.00	04		BOWMAN MANUFACTURING CO.	BOWMAN MANUFACTURING CO.	254-04	YES
MTL0087	RACK HANDLES DBX 500 SERIES	28-3205	2.00	04		PACIFIC COAST ELECTRONICS LTD.	RAF	8106-632-A-22	YES
MTL0099-C	DBX 566 RECESS PLATE	14-6300-A	1.00	04		BOWMAN MANUFACTURING CO.	BOWMAN MANUFACTURING CO.	264-01	YES
MTL0100-C	DBX 566 FACEPLATE FRAME	14-6336-A	1.00	04		BOWMAN MANUFACTURING CO.	BOWMAN MANUFACTURING CO.	264-02	YES

MTL0101-E	DBX 566 CASE BOTTOM/CHASSIS	14-6301-A	1.00	04		BOWMAN MANUFACTURING CO.	BOWMAN MANUFACTURING CO.	264-03	YES
MTL0102-A	HEATSINK FOR SILVER SERIES	14-3200	1.00	05		TARA PRECISION TOOL	TARA PRECISION TOOL	258-12 REV.A	YES
MTR0003	LARGE DBX METER MOVEMENT	26-0120-A	2.00	04	MTR1 MTR2	ANDERS ELECTRONICS PLC	ANDERS ELECTRON	R50B/Z99	
NUT0001	PLASTIC NUT 1/4 PHONE JACKS	28-0220	10.00	04		REAN	REAN	COMES WITH JCK0030	
NUT0003	#6-32 X 1/4 HEX KEPS NUT ZINC	28-3309	10.00	04		GOULD FASTENERS LIMITED			
NUT0013	POT NUT DBX	28-3323	14.00	04		DBX PROFESSIONAL PRODUCTS	DBX	28-3323	
PCB0052-C	DBX 566 MAIN CIRCUIT BOARD	80-6336-A	1.00	13		CORETEC			
PEM0002	100-240V POWER ENTRY FUSED	32-0056-C	1.00	04		POWER DYNAMICS INC.	POWER DYNAMICS	42R34-3121-127F4	YES
PKG0008	FOAM ENDCAPS FOR DBX SILVER SERIES	22-6330-A	2.00	01		ALL FOAM INDUSTRIES	ALL FOAM INDUSTRIES	254-09	YES
PLS0016	DBX BUTTON BEZEL	24-1060-A	16.00	04		JETCROWN INDUSTRIAL LTD	JETCROWN	24-1060-A	YES
PLS0019	LARGE DBX METER SHROUD	24-1000-A	2.00	04		DBX PROFESSIONAL PRODUCTS	DBX	24-1000-A	
POT0021	PT10V 100K VERTICAL ADJUST	42-0235	3.00	05	VR1 VR11 VR2	S-P INTERNATIONAL LTD.	PIHER	PT10LV10-00283	
POT0028	50K B TAPER	40-2138	10.00	05	VR12 VR13 VR14 VR16 VR20 VR22 VR23 VR25 VR27 VR29	ELECTRONIC COMPONENTS INT'L	ALPHA	RV16A-B50K-41	YES
POT0031	50K TRIM POT VIRTICAL ADJ	42-0222	12.00	05	VR10 VR17 VR19 VR21 VR24 VR3 VR4 VR5 VR6 VR7 VR8 VR9	S-P INTERNATIONAL LTD.	PIHER	10LV10-503A2020	
POT0039	50K A TAPER 41 POSITION DETENT D SHAFT	40-2136	4.00	05	VR15 VR18 VR26 VR28	DBX PROFESSIONAL PRODUCTS	DBX-U	40-2136	YES
RSS0001	100R 1% 805 SMD	52-3235	1.00	13	R238	S-P INTERNATIONAL LTD.	SANNOHM	RC05-100RFR	
RSS0002	10K0 1% 805 SMD	52-4500	43.00	13	R11 R111 R136 R14 R140 R147 R148 R168 R196 R20 R207 R208 R228 R23 R232 244 R250 R266 R281 R289 R31 R311 R316 R317 R318 R319 R324 R325 R37 R42 R5 R51 R58 R6 R60 R63 R64 R7 R74 R75 R8 R82 R96	S-P INTERNATIONAL LTD.	SANNOHM	RC05-10K0FR	
RSS0003	12K1 1% 805 SMD	52-3234	12.00	13	R135 R19 R25 R262 R277 R278 R297 R298 R307 R322 R323 R65	S-P INTERNATIONAL LTD.	SANNOHM	RC05-12K1FR	
RSS0005	15K0 1% 805 SMD	52-3233	6.00	13	R108 R193 R198 R213 R234 R253	S-P INTERNATIONAL LTD.	SANNOHM	RC05-15K0FR	
RSS0006	17K4 1% 805 SMD	52-3237	4.00	13	R137 R155 R263 R308	S-P INTERNATIONAL LTD.	SANNOHM	RC05-17K4FR	
RSS0007	1K00 1% 805 SMD	52-4505	20.00	13	R1 R106 R112 R116 R117 R166 R173 R174 R189 R190 R2 R264 R27 R283 R3 R309 R4 R68 R98 R99	S-P INTERNATIONAL LTD.	SANNOHM	RC05-1K00FR	
RSS0008	1M00 1% 805 SMD	52-1004	7.00	13	R184 R245 R257 R271 R282 R291 R303	S-P INTERNATIONAL LTD.	SANNOHM	RC05-1M00FR	
RSS0010	39K2 1% 805 SMD	52-4531	6.00	13	R199 R214 R233 R254 R258 R304	S-P INTERNATIONAL LTD.	SANNOHM	RC05-39K2FR	
RSS0037	0R00 1% 805 SMD	50-1531	12.00	13	R101 R103 R114 R171 R183 R185 R210 R231 R53 R54 R84 R87	S-P INTERNATIONAL LTD.	SANNOHM	RC05-000JR	
RSS0086	332R 1% 805 SMD	52-3232	3.00	13	R121 R256 R302	S-P INTERNATIONAL LTD.	SANNOHM	RC05-332RFR	
RSS0087	475R 1% 805 SMD	52-3231	4.00	13	R197 R212 R235 R252	S-P INTERNATIONAL LTD.	SANNOHM	RC05-475RFR	
RSS0093	2K21 1% 805 SMD	52-3230	2.00	13	R26 R66	S-P INTERNATIONAL LTD.	SANNOHM	RC05-2K21FR	
RSS0096	100K 1% 805 SMD	52-1010	5.00	13	R169 R29 R34 R61 R71	S-P INTERNATIONAL LTD.	SANNOHM	RC05-100KFR	
RSS0097	10M0 1% 805 SMD	52-3238	2.00	13	R145 R150	S-P INTERNATIONAL LTD.	SANNOHM		
RSS0098	11K0 1% 805 SMD	52-3229	2.00	13	R109 R194	S-P INTERNATIONAL LTD.	SANNOHM	RC05-11K0FR	
RSS0099	121K 1% 805 SMD	52-3228	2.00	13	R122 R179	S-P INTERNATIONAL LTD.	SANNOHM	RC05-121KFR	
RSS0101	13K3 1% 805 SMD	52-3227	2.00	13	R18 R57	S-P INTERNATIONAL LTD.	SANNOHM	RC05-13K3FR	
RSS0102	150K 1% 805 SMD	52-3226	4.00	13	R129 R160 R201 R222	S-P INTERNATIONAL LTD.	SANNOHM	RC05-100KFR	
RSS0107	1.5M 5% 805 SMD	50-1540	2.00	13	R143 R152	S-P INTERNATIONAL LTD.	SANNOHM	RC05-1M54FR	
RSS0108	200R 1% 805 SMD	52-3224	16.00	13	R124 R164 R17 R265 R268 R272 R292 R310 R312 R326 R327 R35 R36 R56 R72 R73	S-P INTERNATIONAL LTD.	SANNOHM	RC05-200RFR	
RSS0109	20K0 1% 805 SMD	52-4501	28.00	13	R10 R126 R127 R13 R131 R15 R16 R162 R165 R200 R203 R206 R22 R221 R225 R227 R259 R275 R295 R301 R39 R40 R59 R62 R76 R78 R80 R81	S-P INTERNATIONAL LTD.	SANNOHM	RC05-20K0FR	

RSS0110	20R0 1% 805 SMD	52-3240	2.00	13	R132 R156	S-P INTERNATIONAL LTD.	SANNOHM		
RSS0111	221K 1% 805 SMD	52-3223	7.00	13	R215 R220 R236 R239 R241 R320 R321	S-P INTERNATIONAL LTD.	SANNOHM	RC05-221KFR	
RSS0113	20M 5% 805 SMD	52-3241	2.00	13	R138 R154	S-P INTERNATIONAL LTD.			
RSS0114	24K9 1% 805 SMD	52-3222	6.00	13	R133 R139 R153 R157 R216 R218	S-P INTERNATIONAL LTD.	SANNOHM	RC05-24K9FR	
RSS0116	280K 1% 805 SMD	52-3242	4.00	13	R246 R249 R285 R288	S-P INTERNATIONAL LTD.	SANNOHM	RC05-280KFR	
RSS0117	2K00 1% 805 SMD	52-4506	6.00	13	R12 R141 R24 R242 R284 R55	S-P INTERNATIONAL LTD.	SANNOHM	RC05-2K00FR	
RSS0118	2K67 1% 805 SMD	52-4507	2.00	13	R43 R86	S-P INTERNATIONAL LTD.	SANNOHM	RC05-2K67FR	
RSS0120	2M21 1% 805 SMD	52-3221	2.00	13	R107 R191	S-P INTERNATIONAL LTD.	SANNOHM	RC05-2M21FR	
RSS0121	30K1 1% 805 SMD	52-3220	2.00	13	R146 R38	S-P INTERNATIONAL LTD.	SANNOHM	RC05-30K1FR	
RSS0122	33K2 1% 805 SMD	52-3219	4.00	13	R110 R115 R172 R195	S-P INTERNATIONAL LTD.	SANNOHM	RC05-33K2FR	
RSS0123	357K 1% 805 SMD	52-3243	2.00	13	R274 R294	S-P INTERNATIONAL LTD.	SANNOHM		
RSS0124	3K16 1% 805 SMD	52-4508	8.00	13	R100 R182 R270 R315 R44 R46 R83 R91	S-P INTERNATIONAL LTD.	SANNOHM	RC05-3K16FR	
RSS0127	412K 1% 805 SMD	52-3244	2.00	13	R251 R290	S-P INTERNATIONAL LTD.	SANNOHM		
RSS0129	47K5 1% 805 SMD	52-3217	2.00	13	R134 R158	S-P INTERNATIONAL LTD.	SANNOHM	RC05-47K5FR	
RSS0130	499R 1% 805 SMD	52-4504	4.00	13	R144 R149 R204 R226	S-P INTERNATIONAL LTD.	SANNOHM	RC05-499RFR	
RSS0131	523K 1% 805 SMD	52-3246	4.00	13	R247 R248 R286 R287	S-P INTERNATIONAL LTD.	SANNOHM	RC05-523KFR	
RSS0134	57K6 1% 805 SMD	52-4514	6.00	13	R21 R32 R77 R79 R88 R9	S-P INTERNATIONAL LTD.	SANNOHM	RC05-57K6FR	
RSS0136	5K76 1% 805 SMD	52-4512	4.00	13	R276 R296 R52 R95	S-P INTERNATIONAL LTD.	SANNOHM	RC05-5K76FR	
RSS0137	60R4 1% 805 SMD	52-4503	4.00	13	R45 R48 R89 R92	S-P INTERNATIONAL LTD.	SANNOHM	RC05-60R4FR	
RSS0140	6K04 1% 805 SMD	52-4513	2.00	13	R41 R85	S-P INTERNATIONAL LTD.	SANNOHM	RC05-6K04FR	
RSS0141	6K81 1% 805 SMD	52-4515	2.00	13	R125 R163	S-P INTERNATIONAL LTD.	SANNOHM	RC05-6K81FR	
RSS0152	2K00 1% 1206 SMD	52-3253	2.00	13	R181 R97	S-P INTERNATIONAL LTD.	SANNOHM	RC06-2K00FR	
RSS0153	4K99 1% 805 SMD	52-4511	4.00	13	R243 R273 R280 R293	S-P INTERNATIONAL LTD.	SANNOHM		
RSS0155	3K24 1% 805 SMD	52-4509	2.00	13	R50 R94	S-P INTERNATIONAL LTD.	SANNOHM	RC05-3K24FR	
RSS0156	4K53 1% 805 SMD	52-4510	4.00	13	R47 R49 R90 R93	S-P INTERNATIONAL LTD.	SANNOHM	RC05-4K53FR	
RSS0163	49R9 1% 805 SMD	52-1714	8.00	13	R118 R119 R128 R159 R176 R177 R202 R223	S-P INTERNATIONAL LTD.	SANNOHM	RC05-49R9FR	
RSS0164	470K 0805 1%	52-3214	4.00	13	R28 R332 R333 R67	S-P INTERNATIONAL LTD.	SANNOHM	RC05-470KFR	
RSS0166	110K 0805 1%	52-3212	6.00	13	R209 R217 R219 R230 R328 R329	S-P INTERNATIONAL LTD.	SANNOHM	RC05-110KFR	
RSS0169	191K 0805 1%	52-3211	2.00	13	R30 R70	S-P INTERNATIONAL LTD.	SANNOHM	RC05-191KFR	
RSS0170	1K10 0805 1%	52-3248	2.00	13	R269 R314	S-P INTERNATIONAL LTD.	SANNOHM		
RSS0173	332K 1% 805 SMD	52-3210	3.00	13	R123 R175 R180	S-P INTERNATIONAL LTD.	SANNOHM	RC05-332KFR	
RSS0175	470R 0805 1%	50-1702	4.00	13	R104 R187 R267 R313	S-P INTERNATIONAL LTD.	SANNOHM	RC05-470RFR	
RSS0176	560K 0805 1%	52-3209	4.00	13	R142 R151 R33 R69	S-P INTERNATIONAL LTD.	SANNOHM	RC05-560KFR	
RSS0177	1K50 1% 805 SMD	52-3208	1.00	13	R240	S-P INTERNATIONAL LTD.	SANNOHM	RC05-1K50FR	
RSS0178	27K4 0805 1%	52-3249	1.00	13	R167	S-P INTERNATIONAL LTD.	SANNOHM	RC05-27K4FR	
RSS0179	47K0 1% 805 SMD	52-3207	6.00	13	R105 R188 R260 R261 R305 R306	S-P INTERNATIONAL LTD.	SANNOHM	RC05-47K0FR	
RSS0180	5K11 0805 1%	52-3206	4.00	13	R130 R161 R205 R224	S-P INTERNATIONAL LTD.	SANNOHM	RC05-5K11FR	
RSS0193	3K01 1% 0805 SMD	52-3252	4.00	13	R279 R299 R330 R331	S-P INTERNATIONAL LTD.	SANNOHM		
RST0064	100K 1% 1/2W METAL FILM	52-3201	1.00	05	R237	S-P INTERNATIONAL LTD.	SANNOHM	RNE12-100KFT	
RST0153	100R 5% 1/2W CARBON	50-2446	1.00	05	R192	SHANNON ELECTRONICS			
RST0159	33K2 1% 1W METAL FILM (THRU HOLE)	52-3200	2.00	05	R120 R178	S-P INTERNATIONAL LTD.			
RUB0012	CUSTOM RUBBER FOR HS2 @ HS3	70-4209	1.00	04		DBX PROFESSIONAL PRODUCTS	DBX	70-4209	
SCR0014	#6-32 x 1/2 PAN HD PHIL BLACK	28-0099	7.00	04		GOULD FASTENERS LIMITED			
SCR0026	2.9mm x 8 mm PAN HD PHIL BLACK	28-3343	8.00	04		FASTBOLT CORPORATION	FASTBOLT CORPORATION	021-08-A	YES

SCR0034	#4-40 X 7/8 INCH #2 PAN PHILLIPS	28-3200	6.00	04		GOULD FASTENERS LIMITED			
SCR0035	RACK MNT SCREW-#10-32 TRUSS HEAD BLK	28-0074	4.00	01		DEXM FASTENERS	DEXM FASTENERS	28-0074	
SCR0036	#6/32 x 1/4" PHIL PAN THR. FORM BLK	28-0059	10.00	04		GOULD FASTENERS LIMITED			
SCR0038	#6-32 X 3/8 FLAT PHIL UNDERCT ZINC	28-0133	4.00	04		GOULD FASTENERS LIMITED			
SCR0040	M5-0.8 X 35MM PAN HD PHIL BLACK	28-0076	1.00	04		DEXM FASTENERS			
SCR0045	#6-32 x 3/8" SOCKET CAP THRD FORMING	28-3202	6.00	04		DEXM FASTENERS		6C37KCSZ/TR3	
SGW0024	#4 x 3/16 x 3/16 SPACER NYLN	28-3201	2.00		No longer in use - Added to amber LED	DEXM FASTENERS			
SGW0043	GROUND WASHER FOR DBX JACKS	28-0187-A	10.00	05	GW1 GW10 GW2 GW3 GW4 GW5 GW6 GW7 GW8 GW9	DBX PROFESSIONAL PRODUCTS	DBX	28-0187-A	
SGW0045	POT WASHER DBX	No part#	14.00	04		DBX PROFESSIONAL PRODUCTS	DBX		
SGW0046	LED SPACER 0.330 HIGH	28-1007	4.00	05		GOULD FASTENERS LIMITED	BIVAR	ELM-2-400	
	LED SPACER 0.480 HIGH	28-1017	4.00	05					
SGW0047	9908-17MM SPACER	28-3204	6.00	05		GOULD FASTENERS LIMITED	BIVAR	9908-17MM	
SGW0048	RACK MNT WASHERS - BLACK NYLON	28-0217	4.00	01		DEXM FASTENERS	DEXM FASTENERS	28-0217	
SKT0008	9-PIN TUBE SOCKET FOR 12AX7A	32-0250	2.00	05		A/D ELECTRONICS INC.	A/D ELECTRONICS	VT9-PT	
SUP0012	DBX WARRANTY CARD	18-1010-A	1.00	01		DBX PROFESSIONAL PRODUCTS	DBX	18-1010-A	
SUP0034	DBX 566 USER MANUAL ENGLISH		1.00	01		HILLSIDE PRINTING & COPY			SEE SAMPLE
SWP0001	CARL.#622132BBNN UL-CSA-TUV	44-0182	1.00	04		WES-GARDE COMPONENTS GROUP INC	CARLINGSWITCH	622132BBNN	YES
SWT0018	4PDT LATCHING PUSH BUTTON	44-0026	4.00	05	SW19 SW20 SW22 SW23	E SWITCH	E-SWITCH	MTH4UEE	YES
SWT0019	E-SWITCH DPDT	44-0027	14.00	05	SW1 SW13 SW14 SW15 SW16 SW17 SW2 SW3 SW4 SW5 SW6 SW7 SW8 SW9	E SWITCH	ESWITCH	MTH2UEE	YES
SWT0020	SPDT SWITCH MOMENTARY	44-0179	2.00	05	SW11 SW12	E SWITCH	ESWITCH	MTH2UOA	YES
SWT0025	GANG SWITCH	44-0181	2.00	05	SW10 SW18	E SWITCH	E-SWITCH	3XMTH12.5MM	YES
SWT0027	6PDT LATCHING PUSH BUTTON	44-0052	1.00	05	SW24	E SWITCH	E-SWITCH	MTH6UEE NAG	YES
TFR0024	DBX 500 SERIES TOROID XFMR	26-3000	1.00	04		TOROID INTERNATIONAL LTD.	TOROID INTERNATIONAL LTD.	TI-65780BX	YES
TRS0001	2N2907 SOT-23 SMD	70-3200	8.00	13	Q11 Q12 Q13 Q14 Q15 Q6 Q7 Q8	ELECTROSONIC INC.	FAIRCHILD	MMBT2907	
TRS0002	2N3904 SOT-23 SMD	70-1058	5.00	13	Q1 Q2 Q3 Q4 Q5	ELECTROSONIC INC.	ROHM	SST3904T116	
TRT0007	TIP50 TRANSISTOR 500 VOLT	70-3201	2.00	05	Q10 Q9	ARROW ELECTRONICS INC.	SGS	TIP50	
TUB0003	12AU7A DUAL TRIODE VACUUM TUBE	76-0167	2.00	04		MAGIC PARTS	MAGIC PARTS		SEE SAMPLE
	Screw, 4-40 x 3/8" PH PAN BLK	28-0360	2.00						
	Nut, 4-40 with Locking Insert	28-0264	2.00						