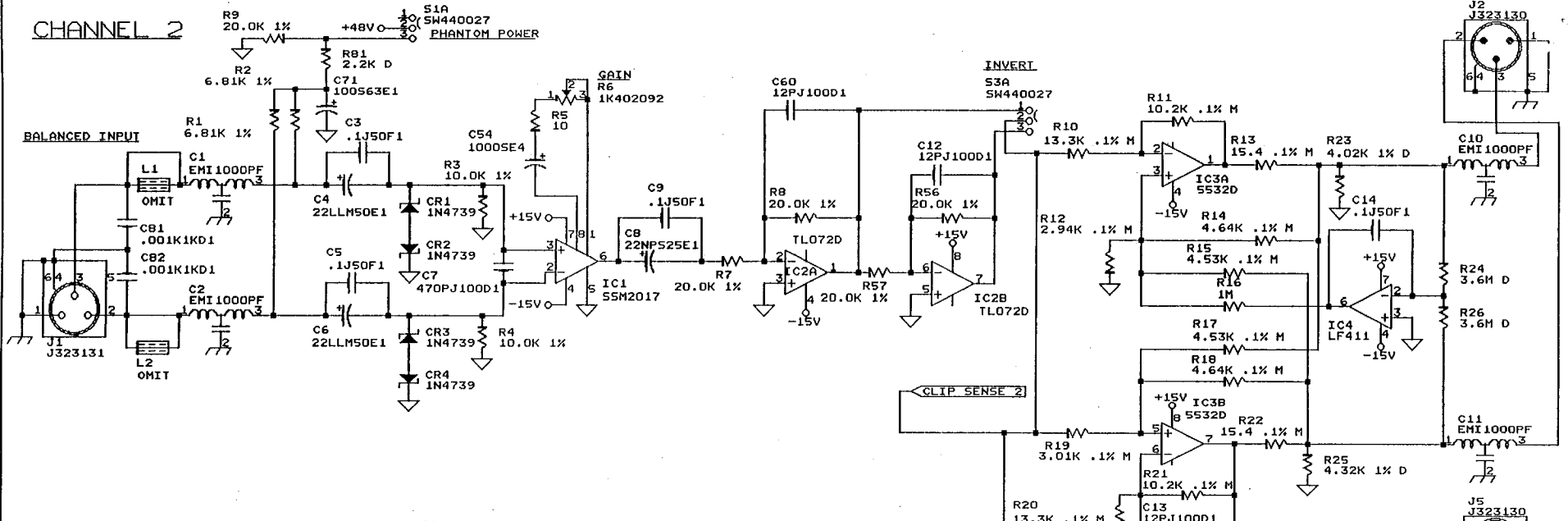
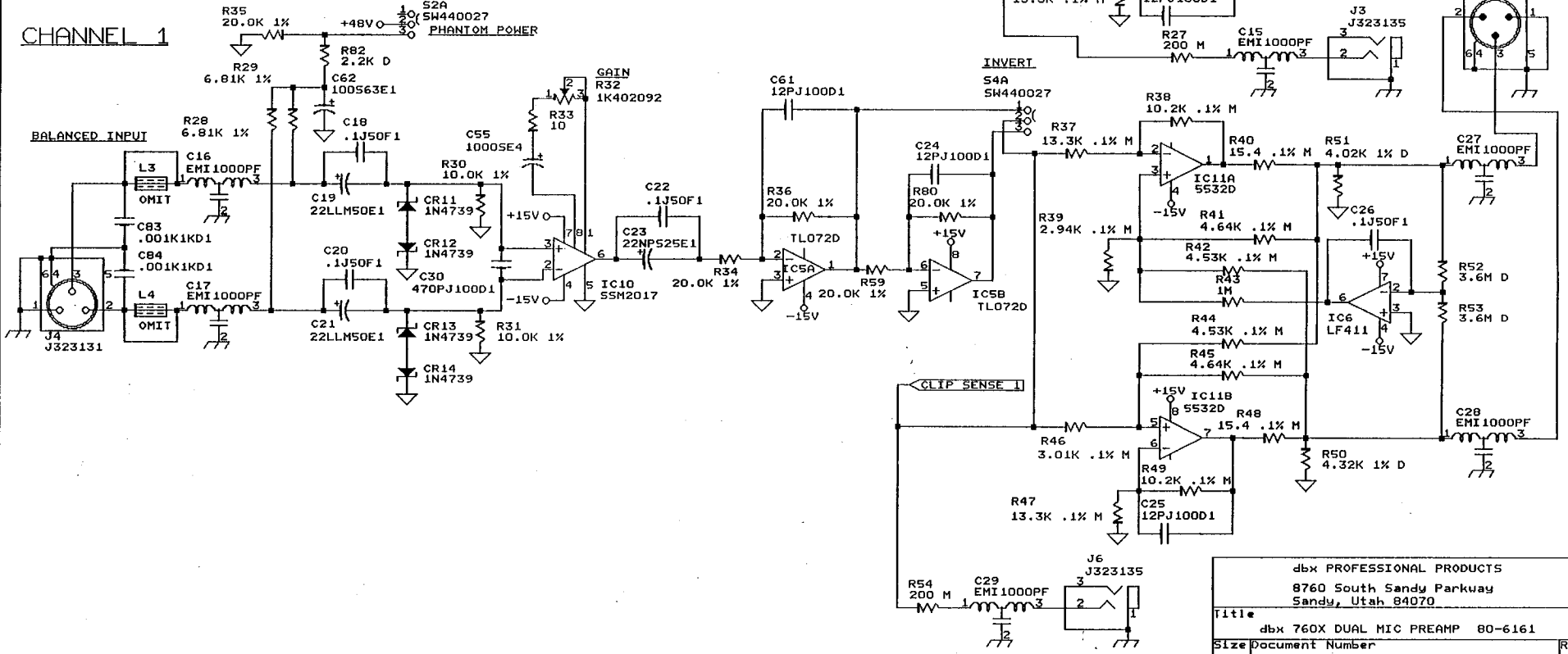


CHANNEL 2



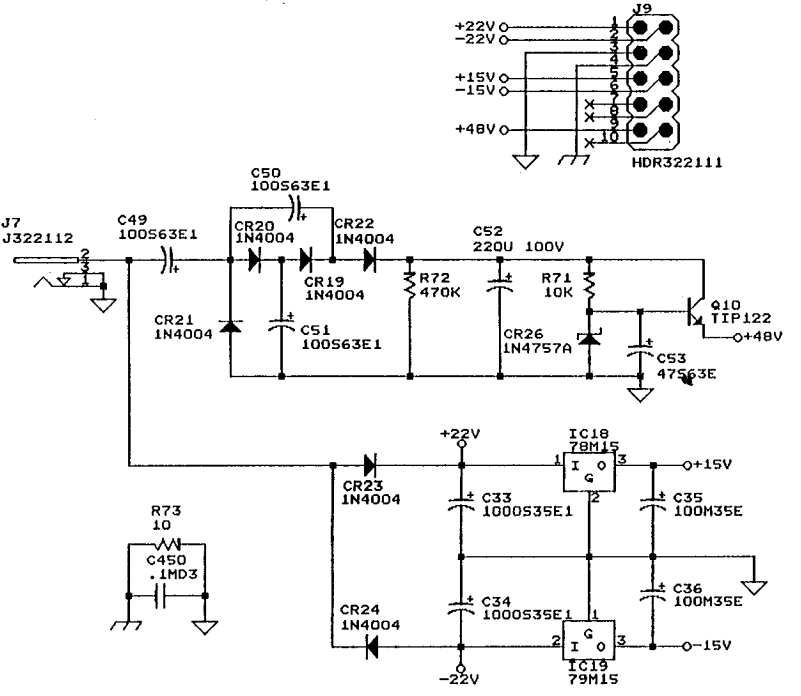
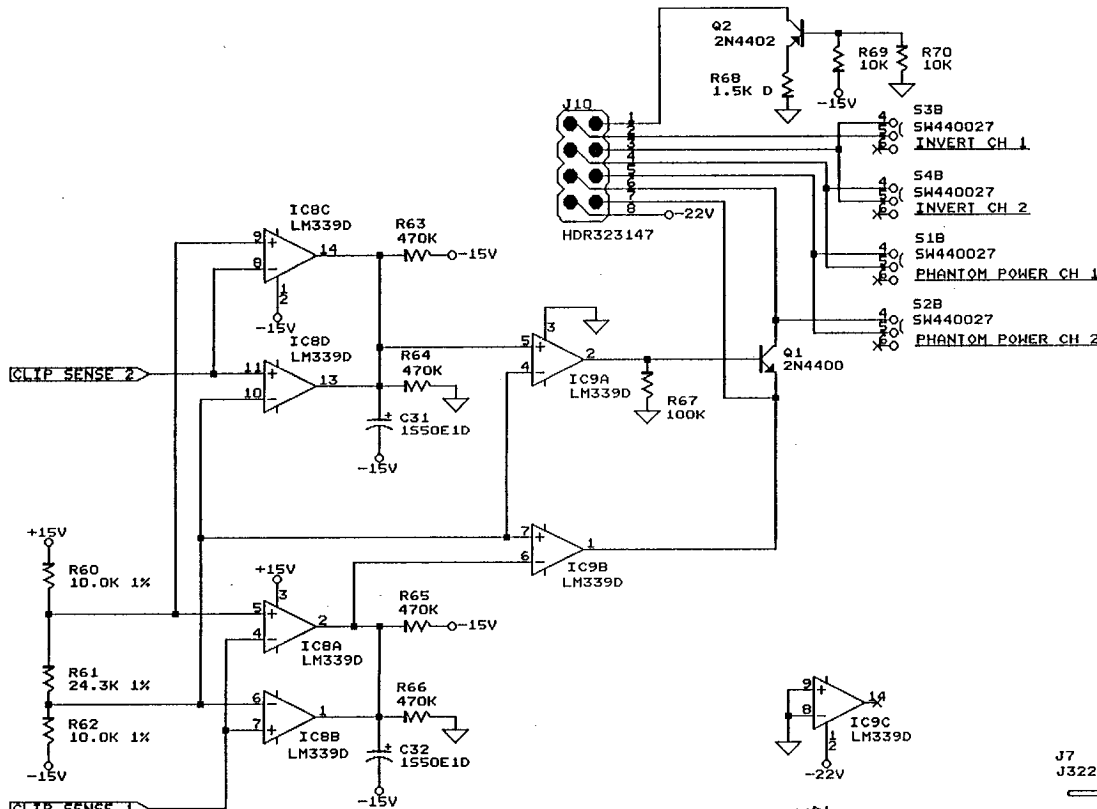
CHANNEL 1



dbx PROFESSIONAL PRODUCTS
 8760 South Sandy Parkway
 Sandy, Utah 84070

Title: dbx 760X DUAL MIC PREAMP 80-6161
 Size: B
 Date: January 17, 1996

Document Number: 05616180.001
 Sheet: 1 of 2

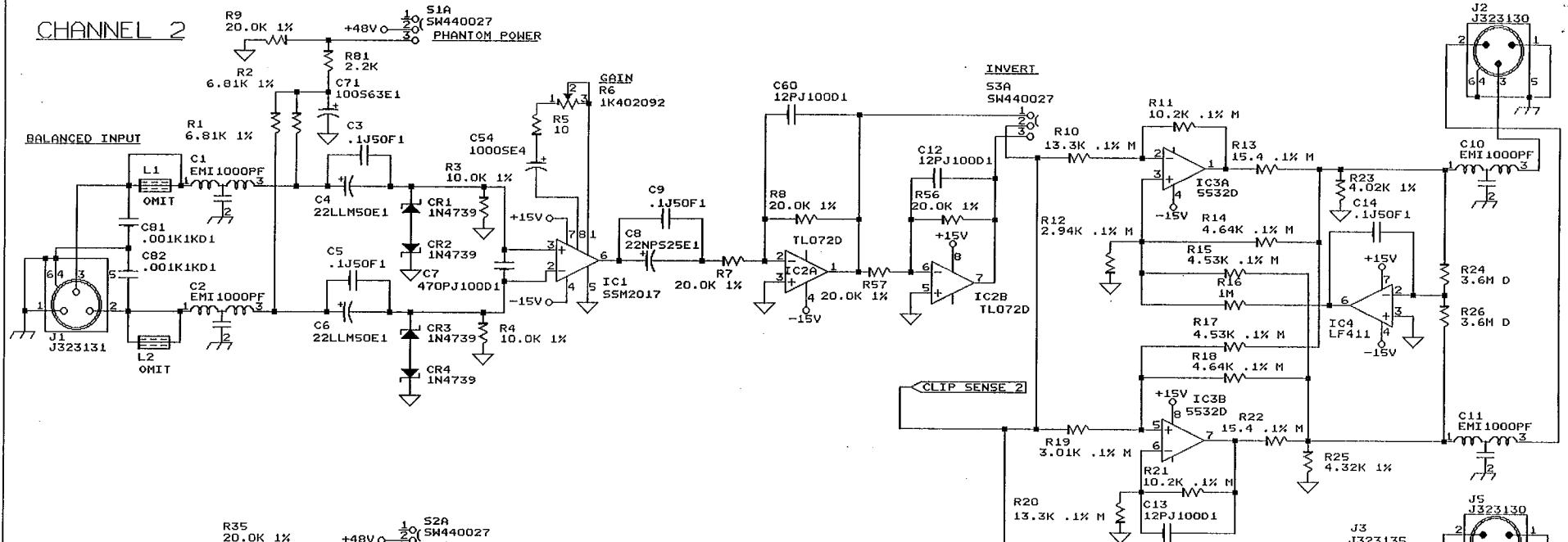


- +15V C37 .1MD3
 - +15V C39 .1MD3
 - +15V C41 .1MD3
 - +15V C43 .1MD3
 - +15V C45 .1MD3
 - +15V C47 .1MD3
 - 15V C38 .1MD3
 - 15V C40 .1MD3
 - 15V C42 .1MD3
 - 15V C44 .1MD3
 - 15V C46 .1MD3
 - 15V C48 .1MD3
- PCB1
80-6161-B
HS1 HS704215
HS2 HS704215

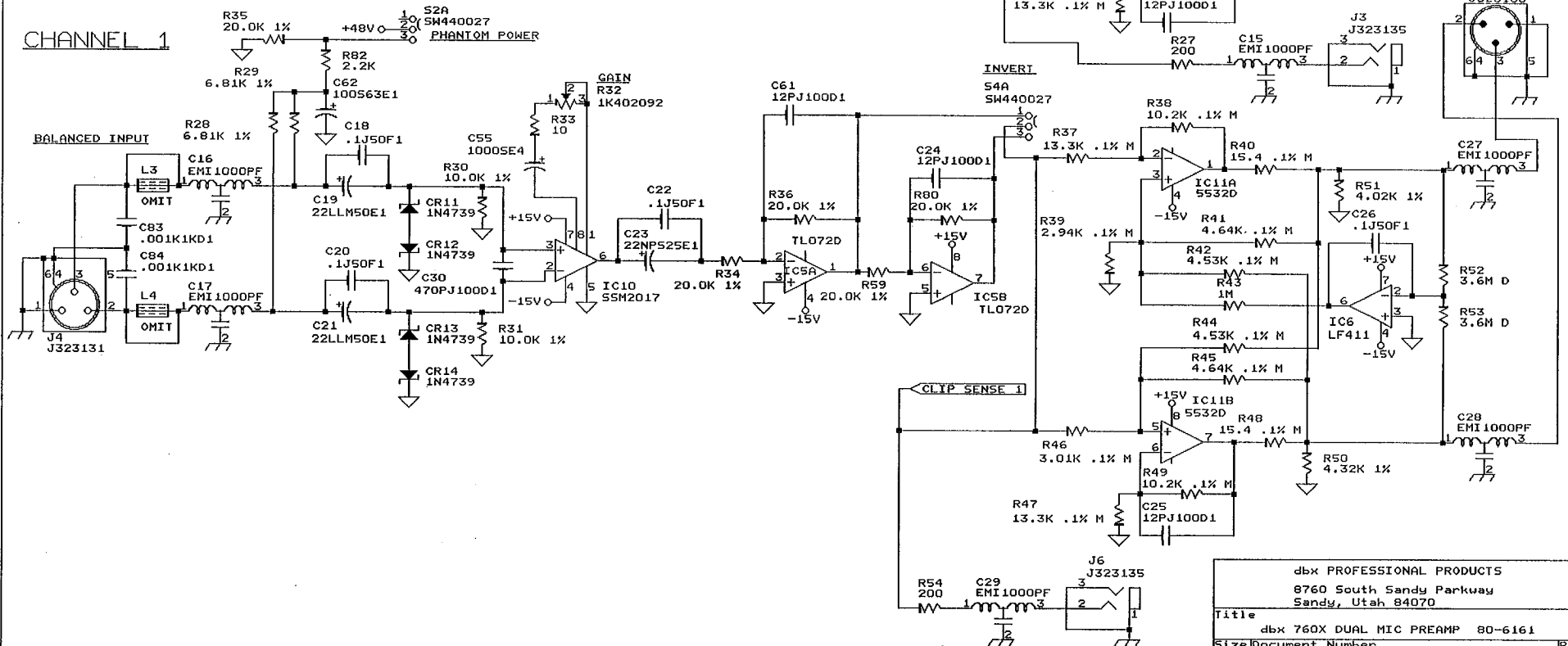
- L51 LS283431
- SC1 SC340125
- SC2 SC340125
- SC3 SC340125
- SC4 SC340125

dbx PROFESSIONAL PRODUCTS 8760 South Sandy Parkway Sandy, Utah 84070		
Title	dbx 760X DUAL MIC PREAMP 80-6161	
Size	Document Number	REV
B	056161B0.002	B0
Date:	January 23, 1996	Sheet 2 of 2

CHANNEL 2



CHANNEL 1

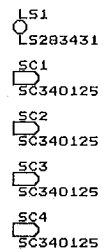
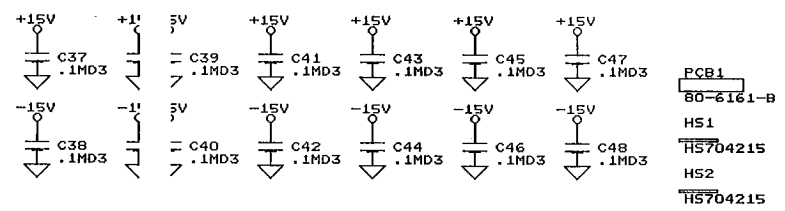
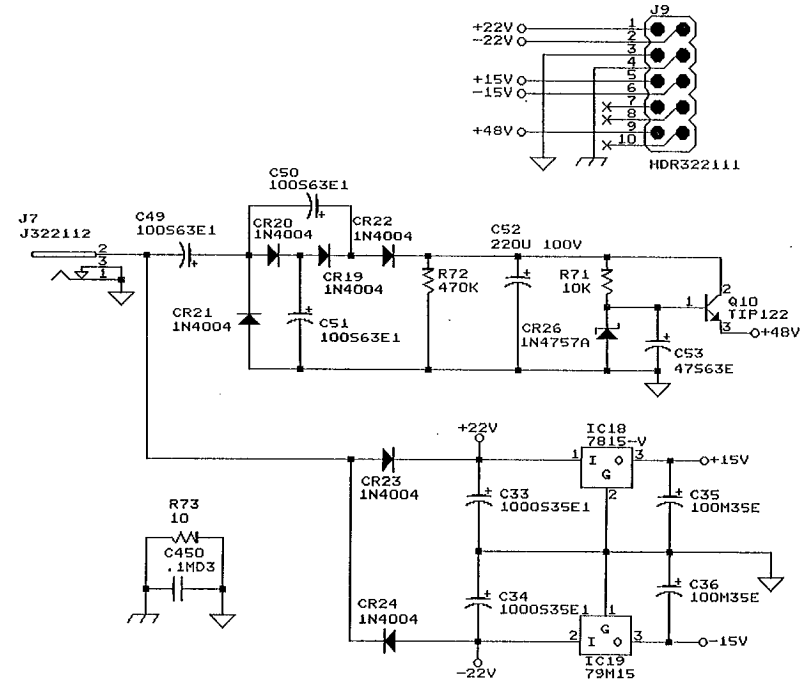
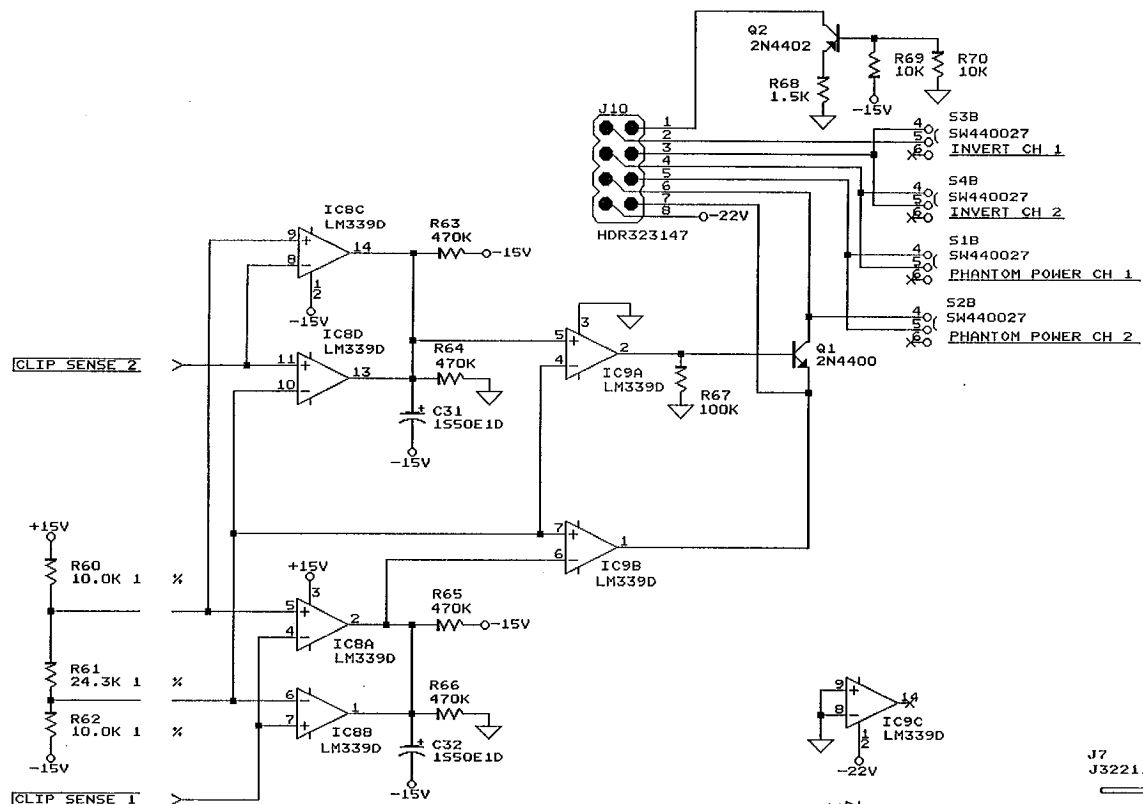


dbx PROFESSIONAL PRODUCTS
 8760 South Sandy Parkway
 Sandy, Utah 84070

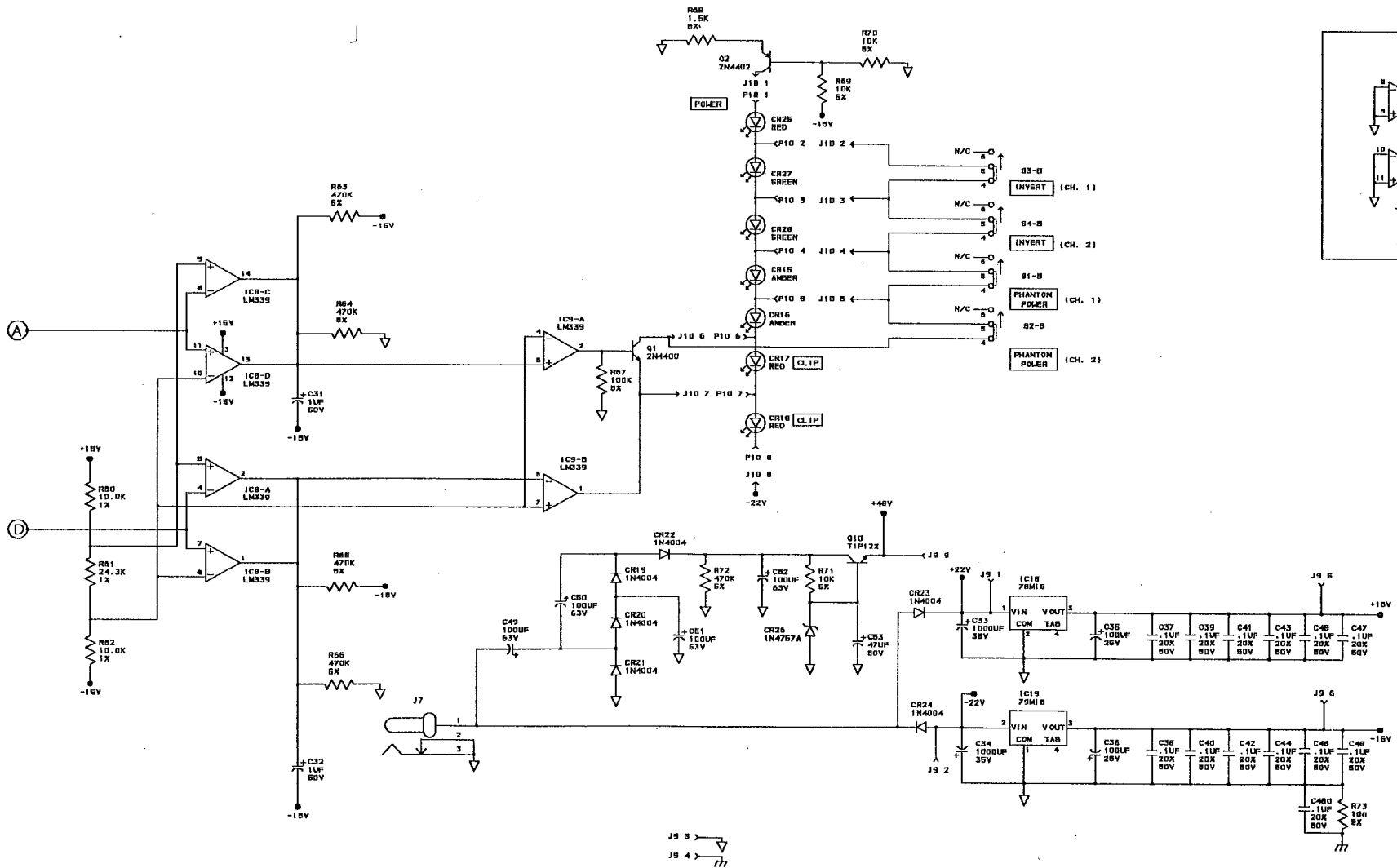
Title
 dbx 760X DUAL MIC PREAMP 80-6161

Size Document Number
 B 056161B2.001

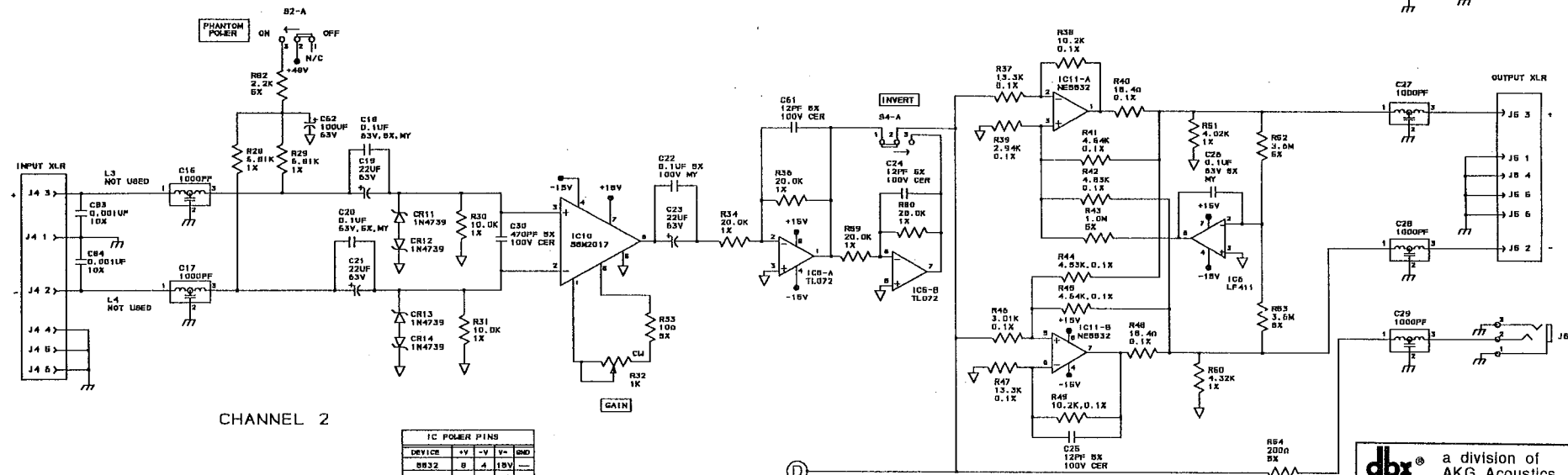
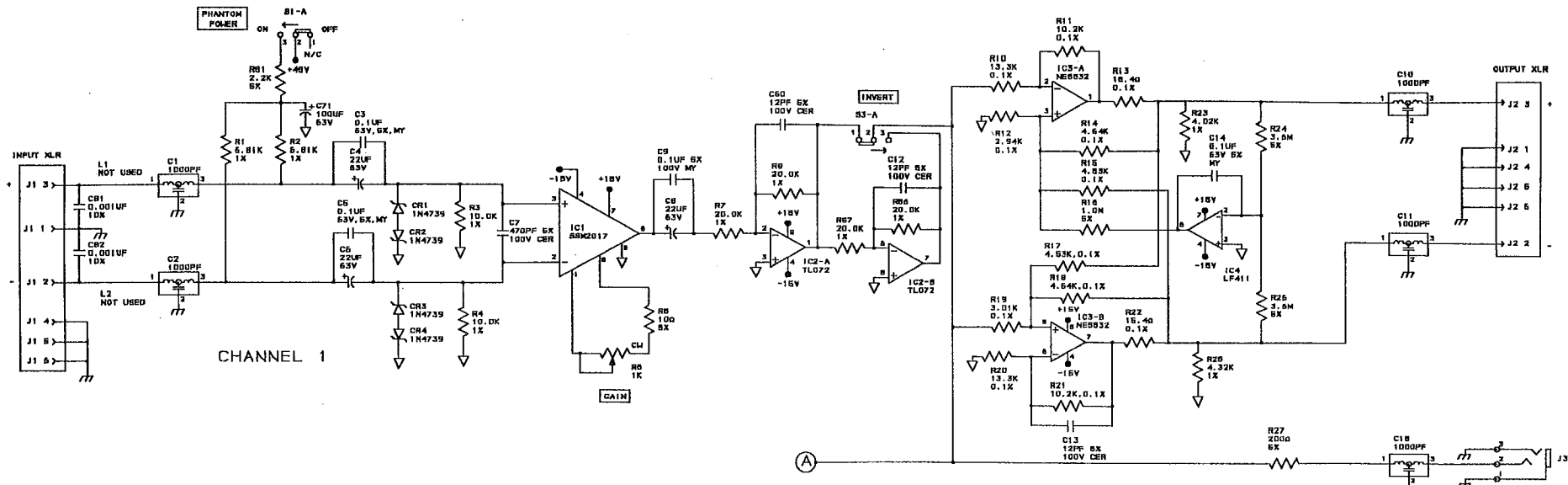
Date: January 23, 1997 Sheet 1 of 2



dbx PROFESSIONAL PRODUCTS 8760 South Sandy Parkway Sandy, Utah 84070	
Title	dbx 760X DUAL MIC PREAMP 80-6161
Size Document Number	B 056161B2.002
Date:	January 23, 1997 Sheet 2 of



dbx® a division of
 AKG Acoustics, Inc.
 TITLE: SCHEMATIC
 760 MIC PREAMP
 61124-000-03 2 of 2



IC POWER PINS				
DEVICE	+V	-V	V ₊	V ₋
5532	8	4	15V	-
TL072	8	4	15V	-
LF411	7	4	15V	-
68M2017	7	4	15V	8
LM339	3	12	15V	-

dbx® a division of
 AKG Acoustics, Inc.
 TITLE: SCHEMATIC
 760 MIC PREAMP
 61124-000-03 1 of 2

SPECIFICATIONS

Note: 0dBV = 1.0VRMS; 0dBu = 0.775VRMS

Specifications are subject to change.

Frequency Response	20Hz - 20kHz, +0, -0.15dB 20Hz - 200kHz, +0, -3dB
Input Impedance	≤2kΩ
Maximum Input Level	0.7VRMS
Output Impedance	30Ω, Electronically balanced and floating
Maximum Output Level	+23.5dBu into 600Ω (balanced)
Connector Type	XLR (Balanced Inputs and Outputs); ¼" Phone Jack (Unbalanced Output)
THD	≥0.01% (Typically 0.006%) 20Hz-20kHz; <50dB Gain, +10dB output
SMPTE Intermodulation Distortion	(60:7kHz, 4:1) ≤0.02%
Equivalent Input Noise	<-129.5dBm (with input terminated by 150Ω)
Gain Adjustment	approximately +20dB to +60dB
Phantom Power	+48VDC, applied to pins 2 and 3 of the input XLR connector through 6.81kΩ resistors.
Power Requirements	AC provided by external power supply included with unit.
Operating Temperature	0°C to 45°C (32°F to 113°F)
Dimensions (H x W x D)	1.75" x 8.5" x 7.25" (4.5cm x 21.6cm x 18.4cm)
Rack Space	1 Rack Unit, Half Rack Design
Weight	Net Weight: 3 lbs (1.36 kg) Shipping Weight: 5.5 lbs (2.49 kg)
Warranty	dbx standard two-year warranty

dbx 760X DUAL MIC PREAMP 80-6161

Revised: January 17, 1996

056161B0.000

Revision: B0

Bill Of Materials

January 23, 1996

11:31:38

Quan Reference

Part

SYMAN

Description

Quan Reference	Part	SYMAN	Description
10	C1,C2,C10,C11,C15,C16, C17,C27,C28,C29	EMI1000PF 62-2101	1000 pF Filter, EMI, SUPP, 50V
8	C3,C5,C9,C14,C18,C20,C22, C26	.1J50F1 56-3109	.1 uF Cap 50V 5% M/Plyes Rad
4	C4,C6,C19,C21	22LLM50E1 60-1059	22 uF Cap 50V 20% Alum Rad, LL-S T&R
2	C7,C30	470PJ100D1 62-3085	470 pF Cap 100V 5% Ceramic Disc Ammo T&R
2	C8,C23	22NPS25E1 60-0322	22 uF Cap 25V -20/+20% Elect. NP
6	C12,C13,C24,C25,C60,C61	12PJ100D1 62-3078	12 pF Cap 100V 5% Ceramic Disc Ammo T&R
2	C31,C32	1S50E1D 60-1024	1 uF Cap 50V Alum Rad
2	C33,C34	1000S35E1 60-0321	1000 uF Cap 35V -20/+100% Elect. Long Lead T&R
2	C35,C36	100M35E 60-0318	100 uF Cap 35V -20/+20% Alum Rad
13	C37,C38,C39,C40,C41,C42, C43,C44,C45,C46,C47,C48, C450	.1MD3 62-0060	.1 uF Cap 50V 20% Ceramic AXL
5	C49,C50,C51,C62,C71	100S63E1 60-1034	100 uF Cap 63V -20/+80% Elect Alum Rad T&R
1	C52	220U 100V 60-0303	220 uF Cap 100V -20/+80% Elect
1	C53	47S63E 60-0301	47 uF Cap 63V -20/+80% Elect
2	C54,C55	1000SE4 60-0064-01	1000 uF Cap 16V -20/+20% Elect-L
4	C81,C82,C83,C84	.001K1KD1 62-3051	.001 uF Cap 1KV 10% Ceramic Disc Ammo T&R
8	CR1,CR2,CR3,CR4,CR11, CR12,CR13,CR14	1N4739 70-0159	1N4739 Diode Zener Glass, 1W, 9.1V, 10%
6	CR19,CR20,CR21,CR22,CR23, CR24	1N4004 70-0009	1N4004 Rect 1A 400V
1	CR26	1N4757A 70-0160	1N4757A Diode Zener Glass, 1W, 51V, 5%
2	HS1,HS2	HS704215 70-4215	Heatsink, PCB Mount, for TO-220
2	IC1,IC10	SSM2017 72-4251	Mic Pre-Amp
2	IC2,IC5	TL072D 72-4315	TL072 Dual JFet-Input Op-Amp
2	IC3,IC11	5532D 72-4316	5532 Low Noise Dual Op-Amp
2	IC4,IC6	LF411 72-4311	LF411 LIN, OPM, PLS
2	IC8,IC9	LM339D 72-4306	LM339 Quad Comparator
1	IC18	78M15 70-4130	7815 +15 Volt Voltage Regulator
1	IC19	79M15 70-4131	7915 -15 Volt Voltage Regulator
2	J1,J4	J323131 32-3131	XLR, Female, PC Mount, Hor. Switchcraft PQG Series
2	J2,J5	J323130 32-3130	XLR, Male, PC Mount, Hor. Switchcraft PQG Series
2	J3,J6	J323135 32-3135	Jack, 1/4" Phone, PC Mount, Hor., Non-shorting
1	J7	J322112 32-2112	DC Socket, Hor. PC Mount, 2.5/5.5mm
1	J9	HDR322111 32-2111	10 Pin Hdr, 5X2, Straight, .23", 0.1" spacing
1	J10	HDR323147 32-3147	8 Pin Hdr, 4X2, R/A, 0.1" spacing
4	L1,L2,L3,L4	OMIT 00-0000	This part has been omitted
1	LS1	LS283431 28-3431	Led Standoff, 4-40X x 0.250" Length
1	PCB1	80-6161-B 80-6161-B	dbx 760 MAIN/DISPLAY PCB RAW
1	Q1	2N4400 70-1041	2N4400 NPN, TR SIGNAL
1	Q2	2N4402 70-1035	2N4402 PNP, TR SIGNAL
1	Q10	TIP122 70-1052	TIP122 NPN, POWER
4	R1,R2,R28,R29	6.81K 1% 52-0157	6.81 KOhm Resistor 1% 1/4 Watt Metal Film
6	R3,R4,R30,R31,R60,R62	10.0K 1% 52-0107	10.0 KOhm Resistor 1% 1/4 Watt Metal Film
3	R5,R33,R73	10 50-0001	10 Ohm Resistor 5% 1/4 Watt Carbon Film
2	R6,R32	1K402092 40-2092	1 K Rot Pot, 20mm Knurled shaft
10	R7,R8,R9,R34,R35,R36,R56, R57,R59,R80	20.0K 1% 52-0091	20.0 KOhm Resistor 1% 1/4 Watt Metal Film
4	R10,R20,R37,R47	13.3K .1% 52-1805	13.3 KOhm Resistor .1% 1/8 Watt Metal Film Mini
4	R11,R21,R38,R49	10.2K .1% 52-1804	10.2 KOhm Resistor .1% 1/8 Watt Metal Film Mini

dbx 760X DUAL MIC PREAMP 80-6161

Revised: January 17, 1996

056161B0.000

Revision: B0

Bill Of Materials

January 23, 1996

11:31:38

Quan Reference

Part

SYMAN

Description

Quan Reference	Part	SYMAN	Description
2	R12,R39	2.94K .1% 52-1809	2.94 KOhm Resistor .1% 1/8 Watt Metal Film Mini
4	R13,R22,R40,R48	15.4 .1% M 52-1802	15.4 Ohm Resistor .1% 1/8 Watt Metal Film Mini
4	R14,R18,R41,R45	4.64K .1% 52-1803	4.64 KOhm Resistor .1% 1/8 Watt Metal Film Mini
4	R15,R17,R42,R44	4.53K .1% 52-1801	4.53 KOhm Resistor .1% 1/8 Watt Metal Film Mini
2	R16,R43	1M 50-0045	1 MOhm Resistor 5% 1/4 Watt Carbon Film
2	R19,R46	3.01K .1% 52-1800	3.01 KOhm Resistor .1% 1/8 Watt Metal Film Mini
2	R23,R51	4.02K 1% D 52-2061	4.02 KOhm Resistor 1% 1/8 Watt Metal Film
4	R24,R26,R52,R53	3.6M D 50-2428	3.6 MOhm Resistor 5% 1/4 Watt Carbon Film
2	R25,R50	4.32K 1% D 52-2065	4.32 KOhm Resistor 1% 1/8 Watt Metal Film
2	R27,R54	200 M 50-2319	200 Ohm Resistor 5% 1/4 Watt Carbon Film
1	R61	24.3K 1% 52-0086	24.3 KOhm Resistor 1% 1/4 Watt Metal Film
5	R63,R64,R65,R66,R72	470K 50-0042	470 KOhm Resistor 5% 1/4 Watt Carbon Film
1	R67	100K 50-0036	100 KOhm Resistor 5% 1/4 Watt Carbon Film
1	R68	1.5K D 50-2337	1.5 KOhm Resistor 5% 1/4 Watt Carbon Film
3	R69,R70,R71	10K 50-0020	10 KOhm Resistor 5% 1/4 Watt Carbon Film
2	R81,R82	2.2K D 50-2342	2.2 KOhm Resistor 5% 1/4 Watt Carbon Film
4	S1,S2,S3,S4	SW440027 44-0027	DPDT I/O Switch (mini), PC Mount
4	SC1,SC2,SC3,SC4	SC340125 34-0125	Switch Cap, Black