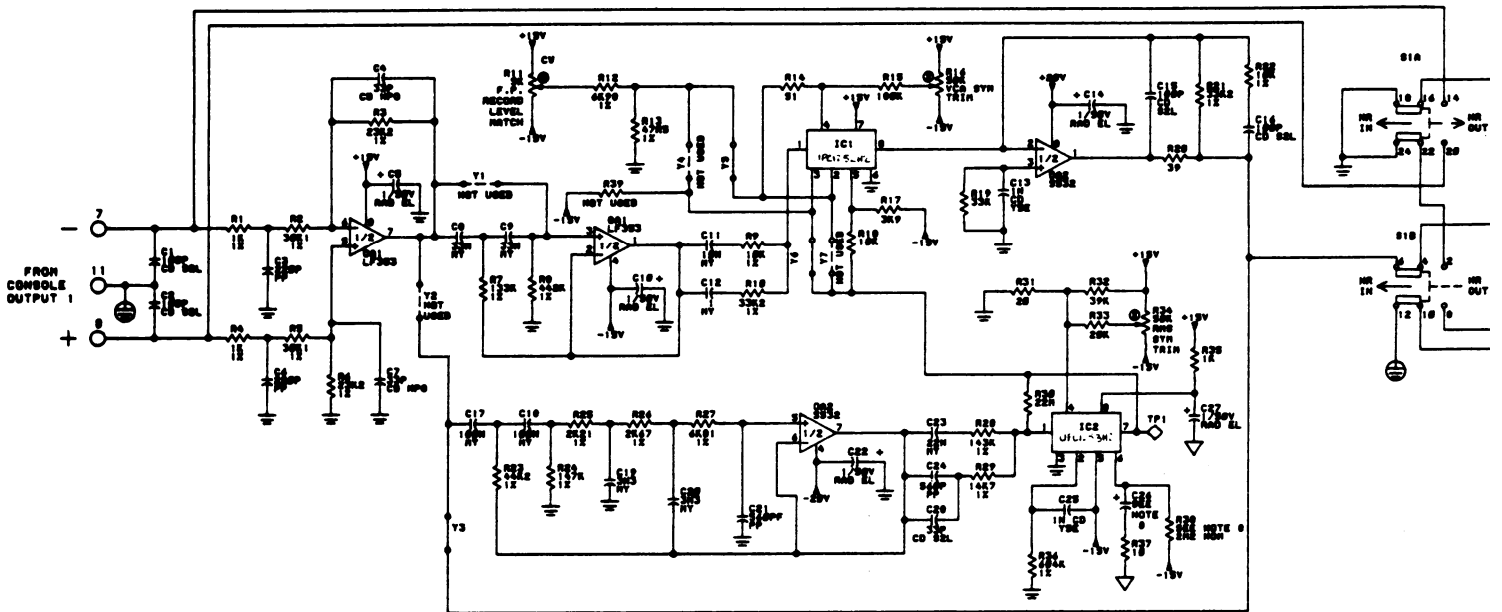
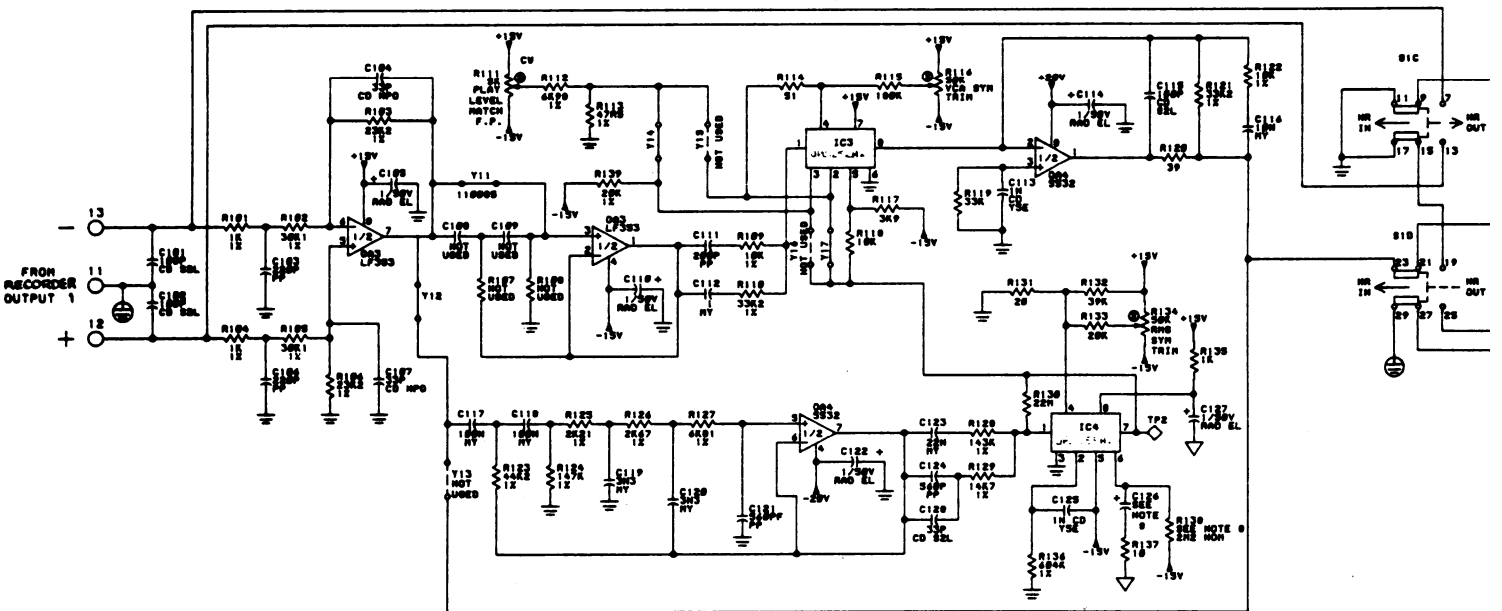


CHANNEL 1 ENCODER



CHANNEL 2 DECODER



- NOTES:
1. ALL RESIS
 2. ALL CAPAC
 3. ALL MYLA
 4. ALL NPO
 5. ALL YSE
 6. ALL POLY
 7. ALL RADII
 8. SELECT A
 9. SELECT B
 10. SELECT R
 11. SELECT I
 12. SELECT R
 13. SELECT I
 14. SELECT R
 15. SELECT I
 16. SELECT R
 17. SELECT I
 18. SELECT R
 19. SELECT I
 20. SELECT R
 21. SELECT I
 22. SELECT R
 23. SELECT I
 24. SELECT R
 25. SELECT I
 26. SELECT R
 27. SELECT I
 28. SELECT R
 29. SELECT I
 30. SELECT R
 31. SELECT I
 32. SELECT R
 33. SELECT I
 34. SELECT R
 35. SELECT I
 36. SELECT R
 37. SELECT I
 38. SELECT R
 39. SELECT I
 40. SELECT R
 41. SELECT I
 42. SELECT R
 43. SELECT I
 44. SELECT R
 45. SELECT I
 46. SELECT R
 47. SELECT I
 48. SELECT R
 49. SELECT I
 50. SELECT R
 51. SELECT I
 52. SELECT R
 53. SELECT I
 54. SELECT R
 55. SELECT I
 56. SELECT R
 57. SELECT I
 58. SELECT R
 59. SELECT I
 60. SELECT R
 61. SELECT I
 62. SELECT R
 63. SELECT I
 64. SELECT R
 65. SELECT I
 66. SELECT R
 67. SELECT I
 68. SELECT R
 69. SELECT I
 70. SELECT R
 71. SELECT I
 72. SELECT R
 73. SELECT I
 74. SELECT R
 75. SELECT I
 76. SELECT R
 77. SELECT I
 78. SELECT R
 79. SELECT I
 80. SELECT R
 81. SELECT I
 82. SELECT R
 83. SELECT I
 84. SELECT R
 85. SELECT I
 86. SELECT R
 87. SELECT I
 88. SELECT R
 89. SELECT I
 90. SELECT R
 91. SELECT I
 92. SELECT R
 93. SELECT I
 94. SELECT R
 95. SELECT I
 96. SELECT R
 97. SELECT I
 98. SELECT R
 99. SELECT I
 100. SELECT R