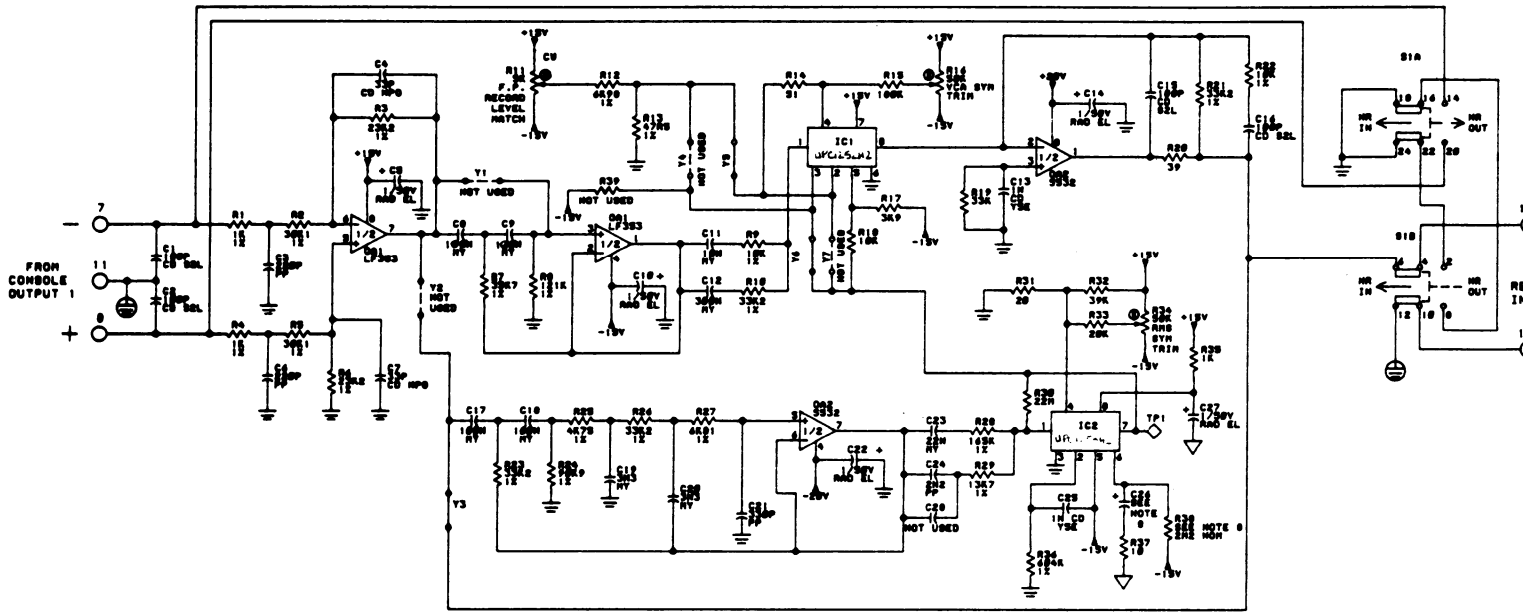
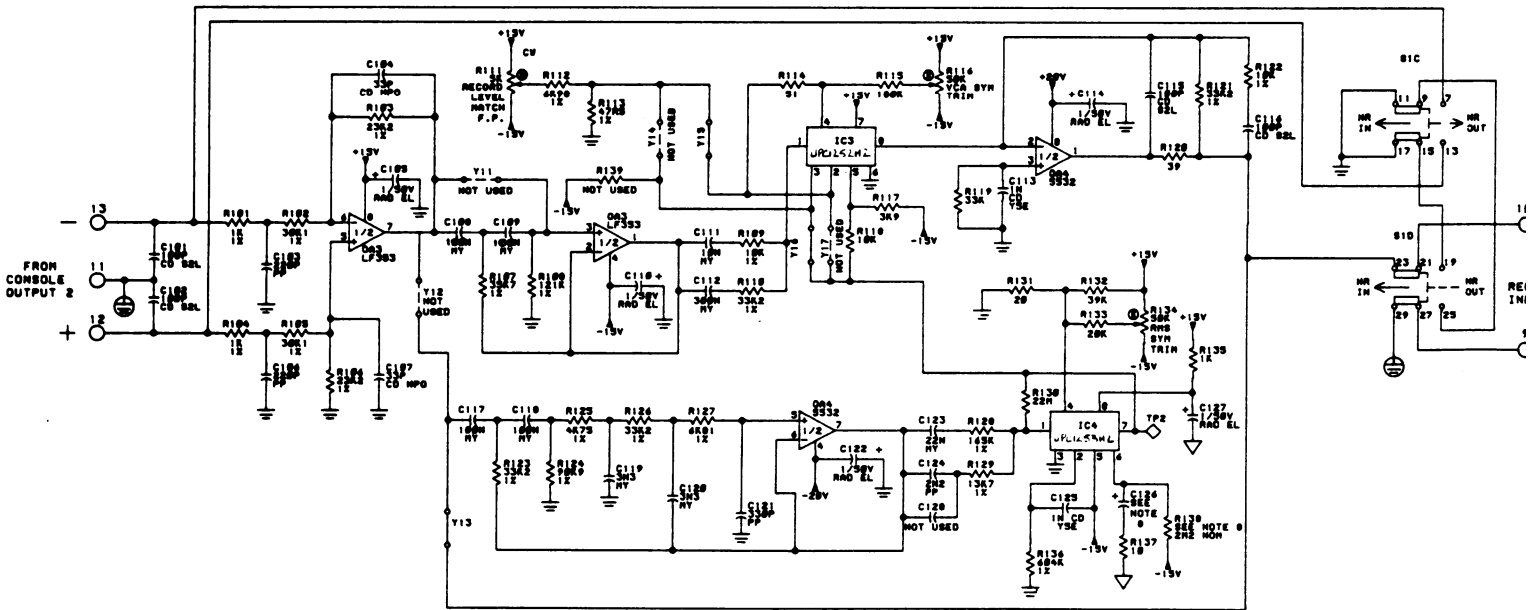


CHANNEL 1



CHANNEL 2



- NOTES:
1. ALL RESISTOR:
 2. ALL CAPACITOI
 3. ALL MYLAR CAI
 4. ALL NPO AND :
 5. ALL YSE CERAI
 6. ALL POLYPROP'
 7. ALL RADIAL EI
 8. SELECT A 10 I
SELECTION PRI
SELECT RESIS'
PROCEDURE 12
 9. ▽ DENOTES GI
RETURN TO