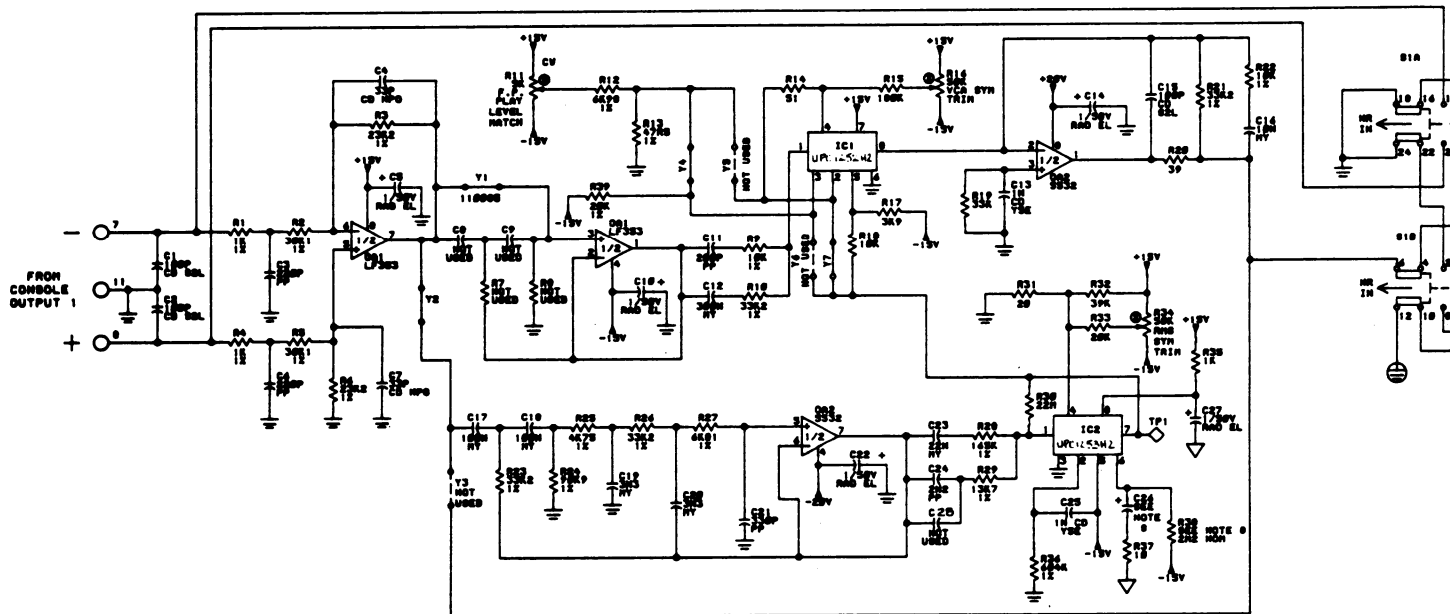
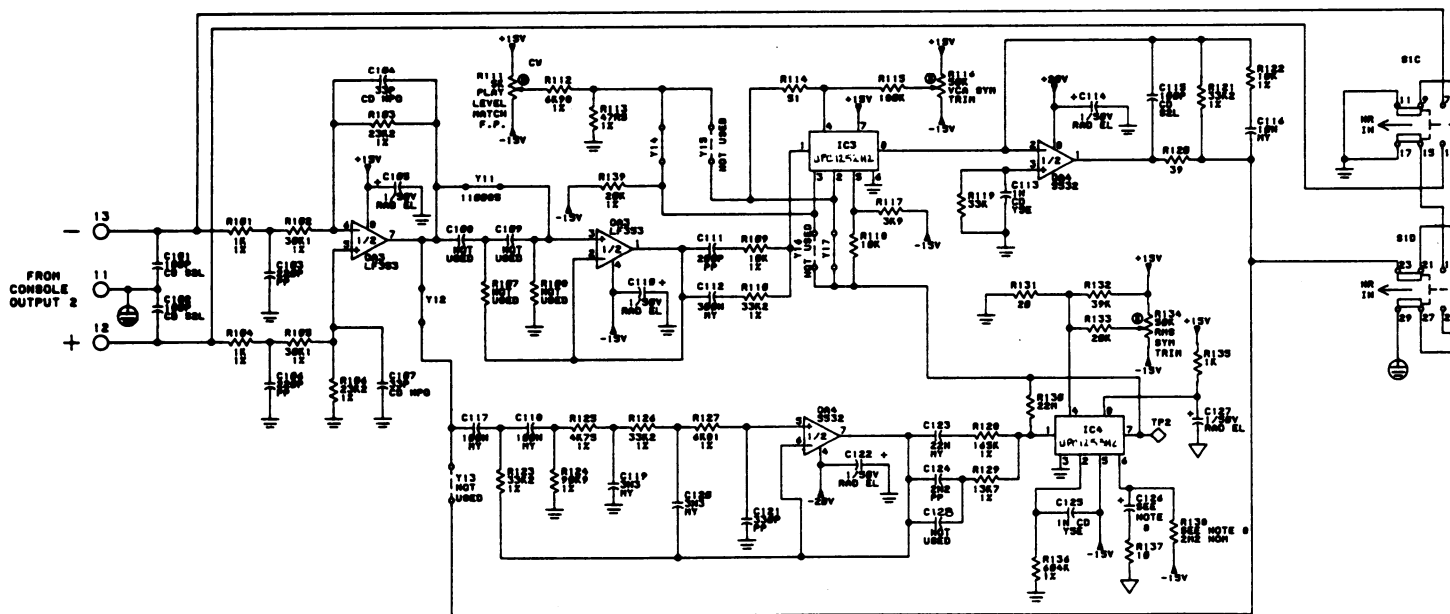


CHANNEL 1



CHANNEL 2



- NOTES:
1. ALL I
 2. ALL I
 3. ALL I
 4. ALL I
 5. ALL I
 6. ALL I
 7. ALL I
 8. SELE
SELE
PROCI
 9. ∇ DI
RI